

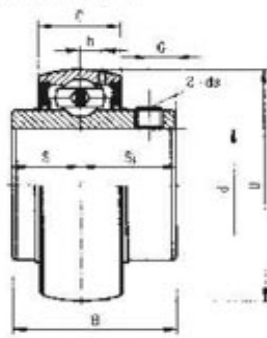
目錄

Contents

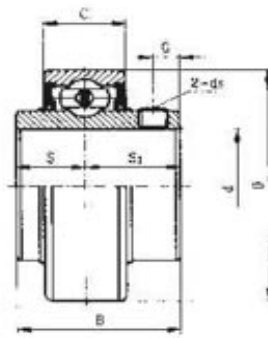
WHX

WHX帶座外球面產品特徵	
Feature Of WHX Insert Ball Bearings Units	1-3
Type Of Insert Ball Bearing Units	4-7
帶座外球面產品類型	
Performance & Specialty Of Engineering	
Plastics	8
工程塑料座性能及特點	
Prdperities Of PBT Chemical Resistance	9
Feature of WHX Plummer Blocks	10-17
WHX型分式軸承座產品特徵	
Insert Ball Bearing (外球面軸承)	
UC, RB	18
UC	19
UCX	20
NA, HC	21
NA	22
UK	23-24
ER	25
SER	26
SA, SA-G, CSA	27
SB, SB-G, CSB	28
SA, SAFG, CSAF	29
SA-F, CSA-F, NAA	30
CS	31
Eccentric Locking Collars (偏心套)	
A Series	32-33
H Series	34
Pillow Blocks (立式帶座軸承)	
UCP	35-36
NAP	37-38
NAPK	39
UCP+H	40-41
SBP-G	42
SAP-G	43
SBLP-G	44
SALP-G	45
UCAK	46
UCPK	47
UCPX	48
UCPH	49
UCPA	50
UCPA-A	51
UCPW	52
UCPG	53
SBPP, SAPP	54
Square Flange Units (方形帶座軸承)	
UCF	55-56
UCFX	57
NAF	58-59
NAFU	60
UKF+H	61-62
SAF-G	63
Oval Flange Units (菱形帶座軸承)	
UCFL	64-65
NAFL	66-67
NAFLU	68
UCFT	69
UKFL+H	70-71
SBFL-G	72
SAFL-G	73
SBLFTC-G, SALFTC-G	74
SBFD-G, SAFD-G	75
SBPFTD-G, SAPFTD-G	76
SBPFL, SAPFL	77
Round Flanged Cartridge Units (凸臺圓形帶座軸承)	
UCFC	78
NAFC	79
UCFC+H	80
Take-up Units (滑塊帶座軸承)	
UCT	81
NAT	82
UCK	83
UCST	84
Others (其他)	
UCC	85
UCFB	86
UCFA	87
UCHA	88
SBPF, SAPF	89
SBPFT, SAPFT	90
Tri-ply Series Disk Harrow Units	91
Stainless Steel Series (不銹鋼系列)	
S.UCP, UCF	92
S.UCFL, UCPA	93
S.UCT, UCFC	94
S.UCHA, UCFB	95
Engineering Plastic Block (工程塑料帶座軸承)	
S.UCPPL, UCFPL	96
S.UCNFL, UCPAL	97
S.UCTPL, UCFBL	98
Zinc Alloy Block (鋅合金座)	
UP, UFL	99
Plummer Blocks (剖分式軸承座)	
SN-SSN500 SERIES	100-101
SN-SSN600 SERIES	102-103
SNZ-SSNZ200 SERIES	104
SNZ-SSNZ300 SERIES	105
SN 3000, SN 3100 SERIES	106-107
SD 3100 SERIES	108-109
SD 500, 600 SERIES	110-111
SD 300 SERIES	112-113
SAF225-226 SERIES	114-115
SAF222-223 SERIES	116-117
SDF225-226 SERIES	118-119
SDAF222-223 SERIES	120-121
SAF-SDAF 230K SERIES	122-123
Sealing Arrangement (軸承座密封型式)	124
Taconite Seal	125
Solid Housings	126
Adapter Sleeve (緊定套)	
ADAPTER FOR SAF225-226 SERIES	127
ADAPTER SLEEVES	128-129
Withdrawal Sleeves (退卸套)	130-131
Washer-plate (墊片)	132
Farm Machinery Bearings (農機軸承)	133-141

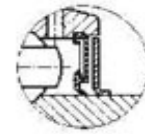
INSERT BALL BEARING



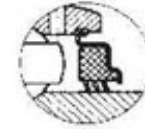
UC
Set screw type



RB
Cylindrical O.D.



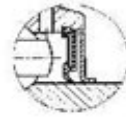
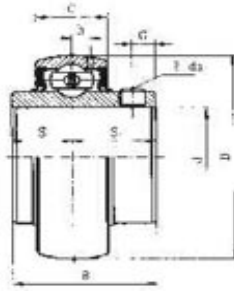
Dual seals



Tripple-lip seal
(+Saffix-R3')

Bearing No.	Shaft Dia.		Dimensions(mm)/(in.)								Basic load rating (KN)		Mass (kg)									
	d		D	B	C	S	S ₁	G	h	ds	Dynamic Cr	Static Cor	UC	RB								
	(in.)	(mm)																				
UC202	5/8	15	40	27.4	14	11.5	15.9	4.5	3.5	M5 × 0.8	7.35	4.78	0.12	--								
RB202-10		17											1.5748	1.0787	0.5512	0.4528	0.6260	0.1772	0.1378	10 # -32UNF	0.12	--
203		17											1.5748	1.0787	0.5512	0.4528	0.6260	0.1772	0.1378	10 # -32UNF	0.11	--
203-11	11/16												0.11	--								
UC204-12	3/4	20	47	31	16	12.7	18.3	4.7	4.4	M6 × 1	9.88	6.65	0.18	0.19								
RB204													1.8540	1.2205	0.6299	0.5000	0.7205	0.1850	0.1732	1/4-28UNF	0.17	0.18
UC205-14	7/8	25	52	34	17	14.3	19.7	5.5	4.3	M6 × 1	10.8	7.88	0.23	0.26								
RB205-15													2.0472	1.3386	0.6693	0.5630	0.7756	0.2165	0.1693	1/4-28UNF	0.22	0.25
205													2.0472	1.3386	0.6693	0.5630	0.7756	0.2165	0.1693	1/4-28UNF	0.21	0.24
205-16	1												0.20	0.23								
UC206-18	1-1/8	30	62	38.1	19	15.9	22.2	5.5	5	M6 × 1	15.0	11.2	0.34	0.38								
RB206													2.4409	1.5000	0.7480	0.6260	0.8740	0.2165	0.1969	1/4-28UNF	0.32	0.36
206-19													2.4409	1.5000	0.7480	0.6260	0.8740	0.2165	0.1969	1/4-28UNF	0.31	0.35
206-20	1-1/4												0.30	0.34								
UC207-20	1-1/4	35	72	42.9	20	17.5	25.4	6.5	5.8	M8 × 1	19.8	15.2	0.53	0.61								
RB207-21													2.8346	1.6890	0.7874	0.6890	1.0000	0.2559	0.2283	5/16-24UNF	0.51	0.59
207-22													2.8346	1.6890	0.7874	0.6890	1.0000	0.2559	0.2283	5/16-24UNF	0.48	0.56
207													2.8346	1.6890	0.7874	0.6890	1.0000	0.2559	0.2283	5/16-24UNF	0.47	0.54
207-23	1-7/16												0.45	0.52								
UC208-24	1-1/2	40	80	49.2	21	19	30.2	8	6.3	M8 × 1	22.8	18.2	0.68	0.76								
RB208-25													3.1496	1.9370	0.8268	0.7480	1.1890	0.3150	0.2480	5/16-24UNF	0.65	0.74
208													3.1496	1.9370	0.8268	0.7480	1.1890	0.3150	0.2480	5/16-24UNF	0.64	0.73
UC209-26	1-5/8	45	85	49.2	22	19	30.2	8	6.8	M8 × 1	24.5	20.8	0.78	0.88								
RB209-27													3.3465	1.9370	0.8661	0.7480	1.1890	0.3150	0.2677	5/16-24UNF	0.74	0.85
209-28													3.3465	1.9370	0.8661	0.7480	1.1890	0.3150	0.2677	5/16-24UNF	0.70	0.81
209													3.3465	1.9370	0.8661	0.7480	1.1890	0.3150	0.2677	5/16-24UNF	0.68	0.79
UC210-30	1-7/8	50	90	51.6	23	19	32.6	9	6.5	M10 × 1.25	27.0	23.2	0.87	0.98								
RB210-31													3.5433	2.0315	0.9055	0.7480	1.2835	0.3543	0.2559	3/8-24UNF	0.82	0.93
210													3.5433	2.0315	0.9055	0.7480	1.2835	0.3543	0.2559	3/8-24UNF	0.80	0.90
210-32	2												0.78	--								
UC211-32	2-1/8	55	100	55.6	25	22.2	33.4	9	7.2	M10 × 1.25	33.5	29.2	1.27	1.40								
RB211-34													3.9370	2.1890	0.9843	0.8740	1.3150	0.3543	0.2835	3/8-24UNF	1.17	1.30
211													3.9370	2.1890	0.9843	0.8740	1.3150	0.3543	0.2835	3/8-24UNF	1.12	1.24
211-35	2-3/16												1.10	1.22								
UC212-36	2-1/4	60	110	65.1	27	25.4	39.7	10.5	8.2	M10 × 1.25	36.8	32.8	1.67	1.88								
RB212													4.3307	2.5630	1.0630	1.0000	1.5630	0.4134	0.3228	3/8-24UNF	1.53	1.74
212-38													4.3307	2.5630	1.0630	1.0000	1.5630	0.4134	0.3228	3/8-24UNF	1.53	1.72
212-39	2-7/16												1.45	1.65								
UC213-40	2-1/2	65	120	65.1	28	25.4	39.7	12	8	M12 × 1.25	44.0	40.0	1.94	--								
213													4.7244	2.5630	1.1024	1.0000	1.5630	0.4724	0.3150	7/16-20UNF	1.86	--
UC214-44	2-3/4	70	125	74.6	30	30.2	44.4	12	9	M12 × 1.25	46.8	45.0	2.06	--								
214													4.9213	2.9370	1.1811	1.1890	1.7480	0.4724	0.3543	7/16-20UNF	2.05	--
UC215-47	2-15/16	75	130	77.8	30	33.3	44.5	12	9	M12 × 1.25	50.8	49.5	2.30	--								
215													5.1181	3.0630	1.1811	1.3110	1.7520	0.4724	0.3543	7/16-20UNF	2.21	--
215-48													5.1181	3.0630	1.1811	1.3110	1.7520	0.4724	0.3543	7/16-20UNF	2.13	--
UC216		80	140	82.6	33	33.3	49.3	14	10.3	M12 × 1.25	55	54.2	2.79	--								
			5.5118	3.2520	1.2992	1.3110	1.9410	0.5512	0.4055	7/16-20UNF				--								
UC217-52	3-1/4	85	150	85.7	35	34.1	51.6	14	11	M12 × 1.25	64.0	63.8	3.60	--								
217													5.9055	3.3740	1.3780	1.3425	2.0315	0.5512	0.4331	7/16-20UNF	3.38	--
UC218-56	3-1/2	90	160	96	37	39.7	56.3	14	12	M12 × 1.25	73.8	71.5	4.56	--								
218													6.2992	3.7795	1.4567	1.5630	2.2165	0.5512	0.4724	1/2-20UNF	4.45	--

INSERT BALL BEARING

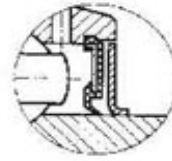
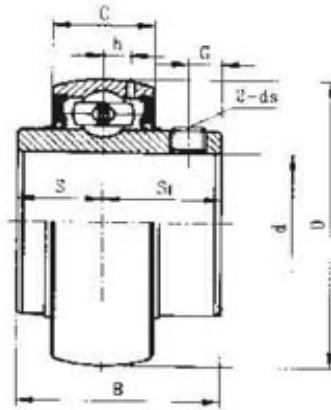


Dust seals

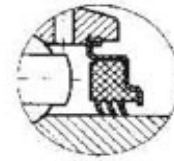
UC Set screw type

Bearing No.	Shaft Dia.		Dimensions(mm)/(in.)								Basic load rating (KN)		Mass (kg)
	d		D	B	C	S	S ₁	G	h	ds	Dynamic Cr	Static Cor	
	(in.)	(mm)											
UC305-14	7/8												0.38
305-15	15/16		62	38	21	15	23	6	6.2	M6 x 1	17.2	11.5	0.36
305		25	2.4409	1.4961	0.8268	0.5906	0.9055	0.2362	0.2441	1/4-28UNF			0.35
305-16	1												0.34
UC306-18	1-1/8												0.58
306		30	72	43	24	17	26	6	6.5	M6 x 1	20.8	15.2	0.56
306-19	1-3/16		2.8346	1.6929	0.9449	0.6693	1.0236	0.2362	0.2559	1/4-28UNF			0.56
UC307-20	1-1/4												0.77
307-21	1-5/16		80	48	25	19	29	8	7.2	M8 x 1	25.8	19.2	0.74
307-22	1-3/8		3.1496	1.8898	0.9843	0.7480	1.1417	0.3150	0.2835	5/16-24UNF			0.71
307		35											0.71
UC308-24	1-1/2												1.00
308-25	1-9/16		90	52	28	19	33	10	8.5	M10 x 1.25	31.2	24.0	0.98
308		40	3.5433	2.0472	1.1024	0.7480	1.2992	0.3937	0.3346	3/8-24UNF			0.96
UC309-26	1-5/8												1.36
309-27	1-11/16		100	57	30	22	35	10	9	M10 x 1.25	40.8	31.8	1.33
309-28	1-3/4		3.9370	2.2441	1.1811	0.8661	1.3780	0.3937	0.3543	3/8-24UNF			1.30
309		45											1.28
UC310-30	1-7/8												1.74
310-31	1-15/16		110	61	32	22	39	12	9.9	M12 x 1.25	47.5	37.8	1.68
310		50	4.3307	2.4016	1.2598	0.8661	1.5354	0.4724	0.3898	7/16-20UNF			1.65
UC311-32	2												2.08
311-34	2-1/8		120	66	34	25	41	12	10.6	M12 x 1.25	55.0	44.8	1.90
311		55	4.7244	2.5984	1.3386	0.9843	1.6142	0.4724	0.4173	7/16-20UNF			1.90
311-35	2-3/16												1.87
UC312-36	2-1/4												2.65
312		60	130	71	36	26	45	12	11.3	M12 x 1.25	62.8	51.8	2.60
312-38	2-3/8		5.1181	2.7953	1.4173	1.0236	1.7717	0.4724	0.4449	7/16-20UNF			2.57
312-39	2-7/16												2.50
UC313-40	2-1/2												3.30
313		65	140	75	38	30	45	12	12.1	M12 x 1.25	72.2	60.5	3.25
UC314-44	2-3/4												3.96
314		70	150	78	40	33	47	12	12.8	M12 x 1.25	80.2	68.0	3.95
UC315		75	5.9055	3.0709	1.5748	1.2992	1.8504	0.4724	0.5039	7/16-20UNF			4.33
315-48	3		160	82	42	32	50	14	13.5	M14 x 1.5	87.2	76.8	4.24
UC316		80	6.2992	3.2283	1.6535	1.2598	1.9685	0.5512	0.5315	1/2-20UNF			5.57
			170	86	44	34	52	14	14.5	M14 x 1.5	94.5	86.5	
			6.6929	3.3858	1.7323	1.3386	2.0472	0.5512	0.5709	1/2-20UNF			
UC317-52	3-1/4												7.08
317		85	180	96	46	40	56	16	15.5	M16 x 1.5	102	96.5	6.84
UC318-56	3-1/2												8.03
318		90	190	96	48	40	56	16	16.5	M16 x 1.5	110	108	7.87
UC319		95	7.4803	3.7795	1.8898	1.5748	2.2047	0.6299	0.6496	5/8-18UNF			8.91
319-60	3-3/4		200	103	50	41	62	16	18	M16 x 1.5	120	122	8.88
UC320		100	7.8740	4.0551	1.9685	1.6142	2.4409	0.6299	0.7087	5/8-18UNF			11.2
320-64	4		215	108	54	42	66	18	19	M18 x 1.5	132	140	11.00
UC321		105	8.4646	4.2520	2.2160	1.6535	2.5984	0.7087	0.7480	5/8-18UNF			
UC322		110	225	112	56	44	68	18	19.1	M18X1.5	142	152	
UC324		120	240	117	60	46	71	18	20.6	M18X1.5	158	178	
UC326		130	260	126	64	51	75	18	20.6	M18X1.5	175	208	
UC328		140	280	135	68	54	81	20	22.2	M20X1.5	195	242	
			300	145	73	59	86	22	23.8	M20X1.5	212	272	

INSERT BALL BEARING



Dual seals

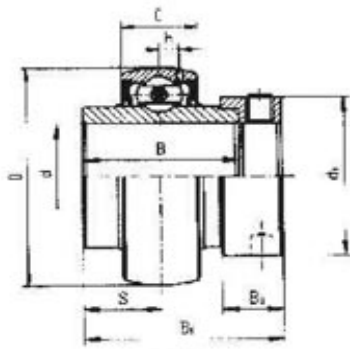


Triple-lip seal
(+Suffix-R3)

UCX Set screw type

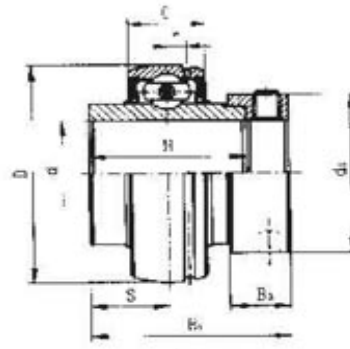
Bearing No.	Shaft Dia.		Dimensions(mm)/(in.)								Basic load rating (KN)		Mass (kg)	
	d (in.)	d (mm)	D	B	C	S	S ₁	G	h	ds	Dynamic Cr	Static Cor		
UCX05-14	7/8													0.42
X05-15	15/16		62	38.1	19	15.9	22.2	6	5	M6X1	15.0	11.2	0.40	
X05		25	2.4409	1.5000	0.7480	0.6260	0.8740	0.2362	0.1969	1/4-28UNF			0.39	
X05-16	1												0.38	
UCX06-18	1-1/8													0.58
X06		30	72	42.9	20	17.5	25.4	6.5	5.8	M8X1	19.8	15.2	0.58	
X06-19	1-3/16		2.8346	1.6890	0.7874	0.6890	1.0000	0.2559	0.2283	5/16-24UNF			0.58	
X06-20	1-1/4												0.55	
UCX07-22	1-3/8													0.75
X07		35	80	49.2	21	19	30.2	8	6.3	M8X1	22.8	18.2	0.75	
X07-23	1-7/16		3.1496	1.9370	0.8268	0.7480	1.1890	0.3150	0.2480	5/16-24UNF			0.72	
UCX08-24	1-1/2													0.87
X08-25	1-9/16		85	49.2	22	19	30.2	8	6.8	M8X1	24.5	20.8	0.87	
X08		40	3.3465	1.9370	0.8661	0.7480	1.1890	0.3150	0.2677	5/16-24UNF			0.83	
UCX09-26	1-5/8													1.10
X09-27	1-11/16		90	51.6	23	19	32.6	9	6.5	M10X1.25	27.0	23.2	1.01	
X09-28	1-3/4		3.5433	2.0315	0.9055	0.7480	1.2835	0.3543	0.2559	3/8-24UNF			0.97	
X09		45											0.95	
UCX10-30	1-7/8													1.43
X10-31	1-15/16		100	55.6	25	22.2	33.4	9	7.2	M10X1.25	33.5	29.2	1.32	
X10		50	3.9370	2.1890	0.9843	0.8740	1.3150	0.3543	0.2835	3/8-24UNF			1.29	
X10-32	2												1.26	
UCX11-34	2-1/8													1.95
X11		55	110	65.1	27	25.4	39.7	10.5	8.2	M10X1.25	36.8	32.8	1.80	
X11-35	2-3/16		4.3307	2.5630	1.0630	1.0000	1.5630	0.4134	0.3228	3/8-24UNF			1.78	
X11-36	2-1/4												1.70	
UCX12		60												2.05
X12-38	2-3/8		120	65.1	28	25.4	39.7	12	8	M12X1.25	44.0	40.0	2.03	
X12-39	2-7/16		4.7244	2.5630	1.1024	1.0000	1.5630	0.4724	0.3150	7/16-20UNF			1.95	
UCX13-40	2-1/2													2.61
X13		65	125	74.6	30	30.2	44.4	12	9	M12X1.25	46.8	45.0	2.52	
UCX14-44	2-3/4													2.75
X14		70	130	77.8	30	33.3	44.4	12	8	M12X1.25	50.8	49.5	2.74	
UCX15		75												3.41
X15-48	3		140	82.6	33	33.3	49.3	14	10.3	M12X1.25	55.0	54.2	3.32	
UCX16		80												3.87
X16		80	150	85.7	35	34.1	51.6	14	11	M12X1.25	64.0	63.8	3.87	
UCX17-52	3-1/4													4.58
X17		85	160	96	37	39.7	56.3	14	12	M12X1.25	73.8	71.5	5.05	
UCX18-56	3-1/2													6.12
X18		90	170	104	39	42.9	61.1	14	12.1	M14X1.5	84.0	82.8	6.00	
UCX20		100												8.56
X20-64	4		190	117.5	44	49.2	68.3	16	13.7	M16X1.5	102.5	105	8.33	

INSERT BALL BEARING



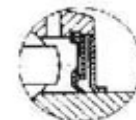
NA

Eccentric locking collar type



HC

Cylindrical O.D.



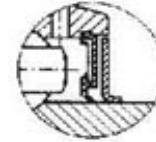
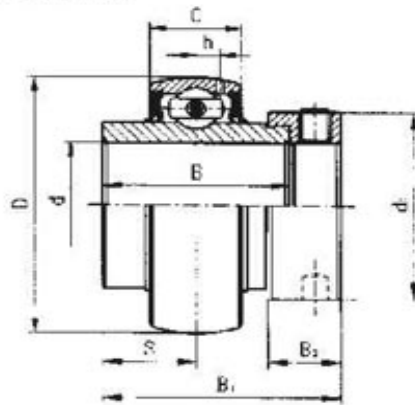
Dual seals



Triple lip seal
(+Suffix "R3")

Bearing No.	Shaft Dia.		Dimensions(mm)/(in.)								Eccentric collar	Basic load rating (KN)		Mass (kg)
	d (in.)	d (mm)	D	C	B	S	B ₁	B ₂	h	d		Dynamic Cr	Static Cor	
NA 202	5/8	15	40	14	27.8	13.9	37.3	13.5	3.5	28.6	A 202	7.35	4.78	0.22
HC 202-10 203 203-11		17									1.5748			0.5512
NA 204-12	3/4	20	47	16	34	17	43.7	13.5	4.4	33.3	A 204-12	9.88	6.65	0.23
HC 204											20			1.8540
NA 205-14	7/8	25	52	17	34.8	17.4	44.3	13.5	4.3	38.1	A 205-14	10.8	7.88	0.29
HC 205-15 205 205-16											25			2.0472
NA 206-18	1-1/8	30	62	19	36.4	18.2	48.3	15.9	5	44.5	A 206S-18	15.0	11.2	0.43
HC 206 206-19 206-20											30			2.4409
NA 207-20	1-1/4	35	72	20	37.6	18.8	51.1	17.5	5.8	55.6	A 207-20	19.8	15.2	0.68
HC 207-21 207-22 207 207-23											35			2.8346
NA 208-24	1-1/2	40	80	21	42.8	21.4	56.3	18.3	6.3	60.3	A 208-24	22.8	18.2	0.83
HC 208-25 208											40			3.1496
NA 209-26	1-5/8	45	85	22	42.8	21.4	56.3	18.3	6.8	63.5	A 209-26	24.5	20.8	0.96
HC 209-27 209-28 209											45			3.3465
NA 210-30	1-7/8	50	90	23	49.2	24.6	62.7	18.3	6.5	69.9	A 210-30	27.2	23.2	1.10
HC 210-31 210											50			3.5433
NA 211-32	2	55	100	25	55.4	27.7	71.3	20.7	7.2	76.2	A 211-32	33.5	29.2	1.58
HC 211-34 211 211-35											55			3.9370
NA 212-36	2-1/4	60	110	27	61.8	30.9	77.7	22.3	8.2	84.2	A 212-36	36.8	32.8	2.03
HC 212 212-38 212-39											60			4.3307
NA 213-40	2-1/2	65	120	28	68.2	34.1	85.7	23.5	8	86	A 213-40	44.0	40.0	2.51
213											65			4.7244
NA 214-44	2-3/4	70	125	30	68.2	34.1	85.7	23.5	9	96.8	A 214-44	46.8	45.0	2.58
HC 214											70			4.9213
NA 215	3	75	130	30	74.6	37.3	92.1	23.9	9	102	A 215	50.8	49.5	2.84
HC 215-48											75			5.1181
NA 216	3	80	140	33	74.6	37.3	95.2	27	10.3	110	A 216	55.0	54.2	3.12
HC 216											80			5.5118

INSERT BALL BEARING

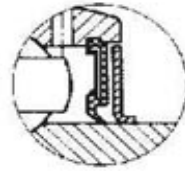
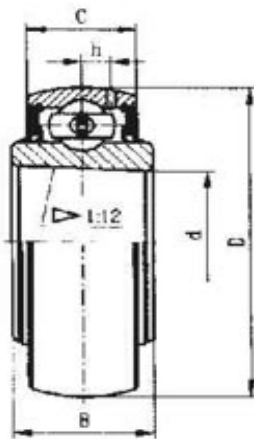


Dual seals

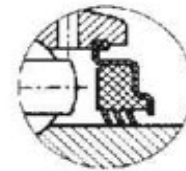
NA Eccentric locking collar type

Bearing No.	Shaft Dia.		Dimensions(mm)/(in.)								Eccentric collar	Basic load rating (KN)		Mass (kg)
	d		D	B	C	S	B ₁	B ₂	h	d		Dynamic Cr	Static Cor	
	(in.)	(mm)												
NA 305-14	7/8										A 305-14			0.46
305-15	15/16		62	34.9	21	16.7	46.8	15.9	6.2	42.8	305-15	17.2	11.5	0.44
305		25	2.4409	1.3740	0.8268	0.6575	1.8425	0.6260	0.2441	1.6850	305			0.43
305-16	1										305-16			0.43
NA 306-18	1-1/8		72	36.5	24	17.5	50	17.5	6.5	50	A 306-18	20.8	15.2	0.71
306		30	2.8346	1.4370	0.9449	0.6890	1.9685	0.6890	0.2559	1.9685	306			0.68
306-19	1-3/16										306-19			0.68
NA 307-20	1-1/4										A 307-20	25.8	19.2	0.86
307-21	1-5/16		80	38.1	25	18.3	51.6	17.5	7.2	55	307-21			0.83
307-22	1-3/8		3.1496	1.5000	0.9843	0.7205	2.0315	0.6890	0.2835	2.1654	307-22			0.80
307		35									307			0.80
307-23	1-7/16										307-23			0.78
NA 308-24	1-1/2		90	41.3	28	19.8	57.1	20.6	8.5	63.5	A 308-24	31.2	24.0	1.13
308-25	1-9/16		3.5433	1.6260	1.1024	0.7795	2.2480	0.8110	0.3346	2.5000	308-25			1.13
308		40									308			1.08
NA 309-26	1-5/8		100	42.9	30	19.8	58.7	20.6	9	70	A 309-26	40.8	31.8	1.57
309-27	1-11/16		3.9370	1.6890	1.1811	0.7795	2.3110	0.8110	0.3543	2.7559	309-27			1.52
309-28	1-3/4										309-28			1.47
309		45									309			1.45
NA 310-30	1-7/8		110	49.2	32	24.6	66.6	22.2	9.9	76.2	A 310-30	47.5	37.8	1.93
310-31	1-15/16		4.3307	1.9370	1.2598	0.9685	2.6220	0.8740	0.3898	3.0000	310-31			1.88
310		50									310			1.86
NA 311-32	2		120	55.6	34	27.8	73	22.2	10.6	83	A 311-32	55.0	44.8	2.49
311-34	2-1/8		4.7244	2.1890	1.3386	1.0945	2.8740	0.8740	0.4173	3.2677	311-34			2.36
311		55									311			2.30
311-35	2-3/16										311-35			2.24
NA 312-36	2-1/4		130	61.9	36	30.95	79.4	23.9	11.3	89	A 312-36	62.8	51.8	2.95
312		60	5.1181	2.4370	1.4173	1.2185	3.1260	0.9409	0.4449	3.5039	312			2.89
312-38	2-3/8										312-38			2.89
312-39	2-7/16										312-39			2.86
NA 313-40	2-1/2		140	65.1	38	32.5	85.7	27	12.1	97	A 313-40	72.2	60.5	3.85
313		65	5.5118	2.5630	1.4961	1.2795	3.3740	1.0630	0.4764	3.8189	313			3.66
NA 314-44	2-3/4		150	68.3	40	34.15	92.1	30.2	12.8	102	A 314-44	80.2	68.0	4.40
314		70	5.9055	2.6890	1.5748	1.3445	3.6260	1.1890	0.5039	4.0157	314			4.50
NA 315		75	160	74.6	42	37.3	100	31.8	13.5	113	A 315	87.2	76.8	5.34
315-48	3		6.2992	2.9370	1.6535	1.4685	3.9370	1.2520	0.5315	4.4488	315-48			6.70
NA 316		80	170	81	44	40.5	106.4	31.8	14.5	119	A 316	94.5	86.5	6.70
NA 317-52	3-1/4		180	84.1	46	42	109.5	31.8	15.5	127	A 317-52	102.0	96.5	8.03
317		85	7.0866	3.3110	1.8110	1.6535	4.3110	1.2520	0.6102	5.0000	317			7.96
NA 318-56	3-1/2		190	87.3	48	43.6	115.9	36.5	16.5	133	A 318-56	110.0	108.0	9.10
318		90	7.4803	3.4370	1.8898	1.7165	4.5630	1.4370	0.6496	5.2362	318			9.10
NA 319		95	200	93.7	50	38.9	122.3	36.5	18	140	A 319	120.0	122.0	10.4
319-60	3-3/4		7.8740	3.6890	1.9685	1.5014	4.8150	1.4370	0.7087	5.5118	319-60			10.4
NA 320		100	215	100	54	50	128.6	36.5	19	146	A 320	132.0	144.0	13.0
320-64	4		8.4646	3.9370	2.2160	1.9685	5.0630	1.4370	0.7480	5.7480	320-64			13.0

INSERT BALL BEARING



Dual seals

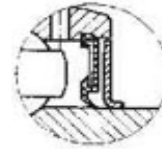
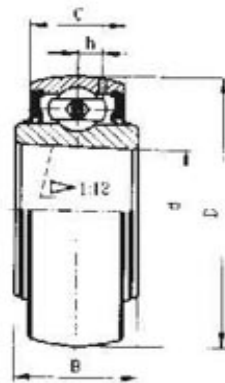


Tripple-lip seal
(+Suffix "R3")

UK Tapered bore

Bearing No.	Dimensions(mm)/(in.)							Basic load rating (kN)		Mass (kg)
	d	D	B		C		h	Dynamic Cr	Static Cor	
			min	max	min	max				
UK 205	25 0.9843	52 2.0472	15 0.5905	27 1.0630	15 0.5905	17 0.6693	3.9 0.1535	10.8	7.88	0.15
UK 206	30 1.1811	62 2.4409	16 0.6300	30 1.1811	16 0.6300	19 0.7480	5 0.1969	15.0	11.2	0.25
UK 207	35 1.3780	72 2.8346	17 0.6693	34 1.3386	17 0.6693	20 0.7874	5.8 0.2283	19.8	15.2	0.37
UK 208	40 1.5748	80 3.1496	18 0.7087	36 1.4173	18 0.7087	22 0.8661	6.3 0.2480	22.8	18.2	0.48
UK 209	45 1.7717	85 3.3465	19 0.7480	39 1.5354	19 0.7480	22 0.8661	6.4 0.2520	24.5	20.8	0.53
UK 210	50 1.9685	90 3.5433	20 0.7874	43 1.6929	20 0.7874	24 0.9449	6.5 0.2559	27.0	23.2	0.59
UK 211	55 2.1654	100 3.9370	21 0.8268	47 1.8504	21 0.8268	25 0.9843	7.0 0.2756	33.5	29.2	0.77
UK 212	60 2.3622	110 4.3307	22 0.8661	49 1.9291	22 0.8661	27 1.0630	7.6 0.2992	36.8	32.8	1.03
UK 213	65 2.5591	120 4.7244	23 0.9055	51 2.0079	23 0.9055	32 1.2598	8.5 0.3346	44.0	40.0	1.36
UK 215	75 2.9528	130 5.1181	25 0.9843	58 2.2835	25 0.9843	34 1.3386	9.2 0.3622	50.8	49.5	1.67
UK 216	80 3.1496	140 5.5118	26 1.0236	61 2.4016	26 1.023	35 1.377	9.5 0.3740	55.0	54.2	1.96
UK 217	85 3.3465	150 5.9055	28 1.1024	64 2.5197	28 1.1024	36 1.4173	10.2 0.4016	64.0	63.8	2.42
UK 218	90 3.5433	160 6.2992	30 1.1811	68 2.6772	30 1.1811	38 1.4961	11.2 0.4409	73.8	71.5	3.00

INSERT BALL BEARING

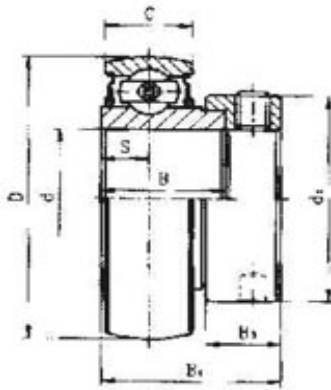


Dual seals
(-Suffix 'R3')

UK
Tapered bore

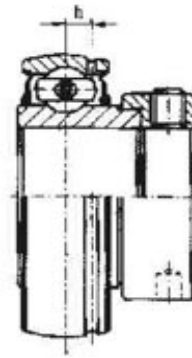
Bearing No.	Dimensions(mm)/(in.)					Basic load rating (kN)		Mass (kg)
	d	D	B	C	h	Dynamic Cr	Static Cor	
UK 305	25 0.9843	62 2.4409	27 1.0630	21 0.8268	6.2 0.2441	17.2	11.5	0.40
UK 306	30 1.1811	72 2.8346	30 1.1811	24 0.9449	6.5 0.2559	20.8	15.2	0.46
UK 307	35 1.3780	80 3.1496	33 1.2992	25 0.9843	7.2 0.2835	25.8	19.2	0.75
UK 308	40 1.5748	90 3.5433	35 1.3780	28 1.1024	8.5 0.3346	31.2	24.0	0.81
UK 309	45 1.7717	100 3.9370	38 1.4961	30 1.1811	9 0.3543	40.8	31.8	1.19
UK 310	50 1.9685	110 4.3307	40 1.5748	32 1.2598	9.9 0.3898	47.5	37.8	1.38
UK 311	55 2.1654	120 4.7244	43 1.6929	34 1.3386	10.6 0.4173	55.0	44.8	1.78
UK 312	60 2.3622	130 5.1181	47 1.8504	36 1.4173	11.3 0.4449	62.8	51.8	2.06
UK 313	65 2.5591	140 5.5118	49 1.9291	38 1.4961	12.1 0.4764	72.2	60.5	2.71
UK 315	75 2.9528	160 6.2992	55 2.1654	42 1.6535	13.5 0.5315	87.2	76.8	3.98
UK 316	80 3.1496	170 6.6929	55 2.1654	44 1.7323	14.5 0.5709	94.5	86.5	4.55
UK 317	85 3.3465	180 7.0866	60 2.3622	46 1.8110	15.5 0.6102	102.0	96.5	5.44
UK 318	90 3.5433	190 7.4803	60 2.3622	48 1.8898	16.5 0.6496	110.0	108	6.25
UK 319	95 3.7402	200 7.8740	66 2.5984	50 1.9685	18 0.7087	120.0	122	7.31
UK 320	100 3.937	215 8.4646	68 2.6772	54 2.1260	19 0.7480	132.0	140	8.82

INSERT BALL BEARING



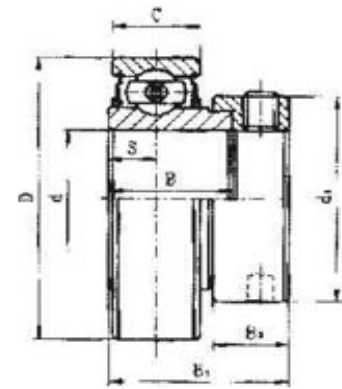
SA

Eccentric locking type



SA-G

Relubricatable type



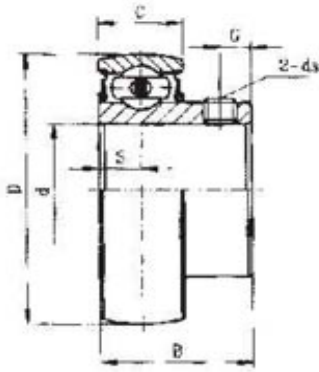
CSA

Cylindrical O. D. type

Bearing No.	Shaft Dia.		Dimensions(mm)/(in.)								Basic load rating (KN)		Mass (kg)	
	d (in.)	d (mm)	D	C	B	B ₁	S	h	B ₂	d ₁	Dynamic Cr	Static Cor		
SA201		12												0.14
201-8	1/2													0.14
202		15	40	13	19.1	28.6	6.5	3.4	13.5	28.6	7.35	4.78	0.13	
202-10	5/8		1.5748	0.5118	0.752	1.1260	0.2559	0.1338	0.5315	1.126			0.13	
203		17											0.13	
203-11	11/16												0.13	
CSA 104-12	3/4		42	12	16.14	26.42	6	—	13.2	33	7.22	5.0	0.12	
			1.6535	0.4724	0.6354	1.0402	0.2362		0.5197	1.2992				
SA204-12	3/4		47	14	21.4	30.9	7.5	3.7	13.5	33.3	9.88	6.65	0.18	
204		20	1.8504	0.5512	0.8425	1.2165	0.2953	0.1456	0.5315	1.3110			0.15	
SA205-14	7/8		52	15	21.4	31.5	7.5	3.9	13.5	38.1	10.8	7.88	0.21	
205-15	15/16		2.0472	0.5906	0.8425	1.2402	0.2953	0.1535	0.5315	1.5000			0.19	
205		25											0.19	
205-16	1												0.18	
SA206-18	1-1/8		62	16	23.8	35.7	9	5	15.9	44.5	15.0	11.2	0.35	
206		30	2.4409	0.6299	0.9370	1.4055	0.3543	0.1969	0.6260	1.7520			0.33	
206-19	1-3/16												0.31	
206-20	1-1/4												0.29	
SA207-20	1-1/4		72	17	25.4	38.9	9.5	5.7	17.5	55.6	19.8	15.2	0.56	
207-21	1-5/16		2.8346	0.6693	1.0000	1.5315	0.3740	0.2244	0.6890	2.1890			0.53	
207-22	1-3/8												0.51	
207		35											0.50	
207-23	1-7/16												0.48	
SA208-24	1-1/2		80	18	30.2	43.7	11	6.2	18.3	60.3	22.8	18.2	0.68	
208-25	1-9/16		3.1496	0.7087	1.1890	1.7205	0.4331	0.2441	0.7205	2.3740			0.67	
208		40											0.65	
SA209-26	1-5/8		85	19	30.2	43.6	11	6.4	18.3	63.5	24.5	20.8	0.76	
209-27	1-11/16		3.3465	0.7480	1.1890	1.7165	0.4331	0.2519	0.7205	2.5000			0.73	
209-28	1-3/4												0.69	
209		45											0.69	
SA210-30	1-7/8		90	20	30.2	43.6	11	6.5	18.3	69.9	27.0	23.2	0.83	
210-31	1-15/16		3.5433	0.7874	1.1890	1.7165	0.4331	0.2559	0.7205	2.7520			0.79	
210		50											0.79	
SA211-32	2		100	24	32.4	48.4	12	7.0	20.7	76.2	33.5	29.2	0.96	
211-34	2-1/8		3.9370	0.9449	1.2756	1.9055	0.4724	0.2756	0.8150	3.0000			0.87	
211		55											0.84	
211-35	2-3/16												0.81	
SA212-36	2-1/4		110	24	33.4	53.1	13.5	7.6	22.3	84.2	36.8	32.8	1.30	
212		60	4.3307	0.9449	1.3150	2.0906	0.5315	0.2993	0.8780	3.315			1.20	
212-38	2-3/8												1.09	
212-39	2-7/16													

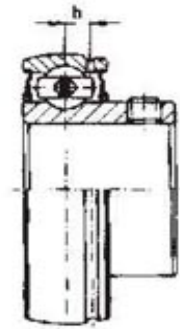
Note: Suffix "G" -Relub.; Prefix "C"-Cylindrical O.D.
For North America

INSERT BALL BEARING



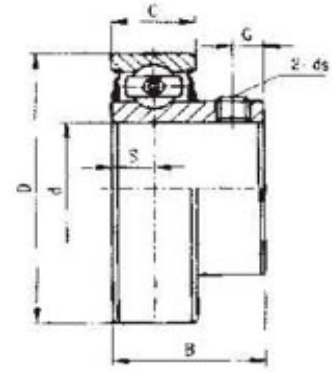
SB

Set screw type



SB-G

Relubricatable type



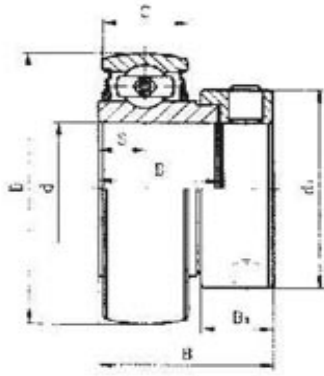
CSB

Cylindrical O. D. type

Bearing No.	Shaft Dia.		Dimensions(mm)/(in.)							Basic load rating (KN)		Mass (kg)
	d		D	B	C	S	h	G	ds	Dynamic Cr	Static Cor	
	(in.)	(mm)										
SB 201		12										1.10
201-8	1/2		40	22	12	6	3.4	4.5	M5X0.8	7.35	4.78	0.09
202		15	1.5748	0.8661	0.4724	0.2362	0.1338	0.1772	10#-32UNF			0.10
202-10	5/8											0.08
SB 204-12	3/4		47	25	14	7	3.7	5	M6X1	9.88	6.65	0.15
204		20	1.8504	0.9843	0.5512	0.2756	0.1456	0.1969	1/4-28UNF			0.13
SB 205-14	7/8									10.8	7.88	0.18
205-15	15/16		52	27	15	7.5	3.9	5.5	M6X1			0.17
205		25	2.0472	1.0630	0.5906	0.2953	0.1535	0.2165	1/4-28UNF			0.18
205-16	1											0.16
SB 206-18	1-1/8									15.0	11.2	0.28
206		30	62	30	16	8	5	6	M6X1			0.26
206-19	1-3/16		2.4409	1.1811	0.6299	0.3150	0.1969	0.2362	1/4-28UNF			0.25
206-20	1-1/4											0.24
SB 207-20	1-1/4									19.8	15.2	0.43
207-21	1-5/16		72	32	17	8.5	5.7	6	M6X1			0.41
207-22	1-3/8		2.8346	1.2598	0.6693	0.3346	0.2244	0.2362	1/4-28UNF			0.38
207		35										0.42
207-23	1-7/16											0.37
SB 208-24	1-1/2									22.8	18.2	0.60
208-25	1-9/16		80	34	18	9	6.2	7	M8X1			0.58
208		40	3.1496	1.3386	0.7087	0.3543	0.2441	0.2756	5/16-24UNF			0.60
SB 209-26	1-5/8									24.5	20.8	0.8
209-27	1-11/16		85	41.2	19	10.2	6.4	8.2	M8X1			
209-28	1-3/4		3.3465	1.6220	0.7480	0.4016	0.2519	0.3228	5/16-24UNF			
209		45										
SB 210-30	1-7/8									27.0	23.2	0.8
210-31	1-15/16		90	43.5	20	10.9	6.5	9.2	M8X1			
210		50	3.5433	1.7126	0.7874	0.4291	0.2559	0.3622	5/16-24UNF			
SB 211-32	2									33.5	29.2	1.1
211-34	2-1/8		100	45.3	23	11.8	7.0	9.8	M8X1			
211		55	3.9370	1.7835	0.9055	0.4646	0.2756	0.3858	5/16-24UNF			
211-35	2-3/16											
SB 212-36	2-1/4									36.8	32.8	1.3
212		60	110	53.7	24	14.9	7.6	9.8	M10X1.25			
212-39	2-7/16		4.3307	2.1142	0.9449	0.5866	0.2993	0.3898	3/8-24UNF			

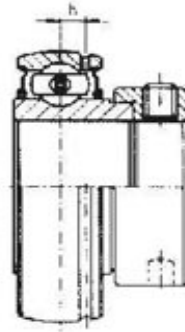
Note: Suffix "G" -Relub; Prefix "C" -Cylindrical O.D.
For North America

INSERT BALL BEARING



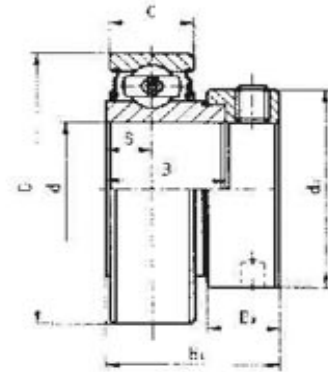
SA

Eccentric locking collar type



SAFG

Relubricatable type



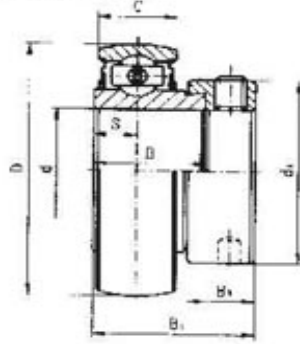
CSAF

Cylindrical O. D. type

Bearing No.	Shaft Dia.		Dimensions(mm)/(in.)								Basic load rating (KN)		Mass (kg)									
	d		D	C	h	S	B ₁	B	B ₂	d ₁	Dynamic Cr	Static Cor										
	(in.)	(mm)																				
SA 201F	1/2	12	40	13	3.4	6.5	28.6	19.1	13.5	28.6	7.35	4.78	0.14									
201-8F		15											0.13									
202F		15											0.13									
202-10F		5/8											1.5748	0.5118	0.1338	0.2559	1.1260	0.7520	0.5315	1.1260	0.13	
203		17											0.13									
203-11F	11/16	17	0.13																			
SA 204-12F	3/4	20	47	15	3.7	7.5	30.9	21.4	13.5	33.3	9.88	6.65	0.18									
204F		20	1.8504	0.5906	0.1456	0.2953	1.2165	0.8425	0.5315	1.3110			0.15									
SA 205-14F	7/8	25	52	15	3.9	7.5	30.9	21.4	13.5	38.1	10.8	7.88	0.22									
205-15F		15/16											0.21									
205F		25											2.0472	0.5906	0.1535	0.2953	1.2165	0.8425	0.5315	1.5000	0.19	
205-16F		1											25	0.18								
SA 206-18F	1-1/8	30	62	18	5	9	35.7	23.8	15.9	44.5	15.0	11.2	0.35									
206F		30											0.33									
206-19F		1-3/16											2.4409	0.7087	0.1969	0.3543	1.4055	0.9370	0.6260	1.7520	0.31	
206-20F		1-1/4											30	0.29								
SA 207-20F	1-1/4	35	72	19	5.7	9.5	38.9	25.4	17.5	55.6	19.8	15.2	0.56									
207-21F													1-5/16	0.53								
207-22F													1-3/8	2.8346	0.7480	0.2244	0.3740	1.5315	1.0000	0.6890	2.1890	0.51
207F													35	0.50								
207-23F													1-7/16	35	0.48							
SA 208-24F	1-1/2	40	80	21	6.2	11	43.7	30.2	18.3	60.3	22.8	18.2	0.68									
208-25F													1-9/16	3.1496	0.8268	0.2441	0.4331	1.7205	1.1890	0.7205	2.3740	0.67
208F													40	0.65								
SA 209-26F	1-5/8	45	85	22	6.4	11	43.7	30.2	18.3	63.5	24.5	20.8	0.82									
209-27F													1-11/16	3.3465	0.8661	0.2519	0.4331	1.7205	1.1890	0.7205	2.5000	0.76
209-28F													1-3/4	45	0.73							
209F													45	0.69								
SA 210-30F	1-7/8	50	90	22	6.5	11	43.7	30.2	18.3	69.9	27.0	23.2	0.85									
210-31F													1-15/16	3.5433	0.8661	0.2559	0.4331	1.7205	1.1890	0.7205	2.7520	0.83
210F													50	0.79								
SA 211-32F	2	55	100	24	7.0	12	48.4	32.5	20.7	76.2	33.5	29.2	1.18									
211-34F													2-1/8	3.9370	0.9449	0.2756	0.4724	1.9055	1.2795	0.8150	3.0000	0.96
211F													55	0.87								
211-35F													2-3/16	55	0.81							

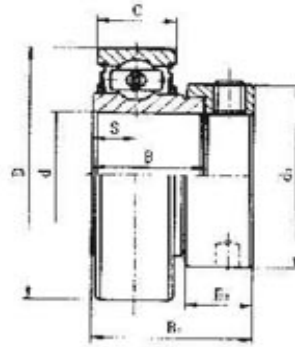
Note: Suffix "G" -Relub; Prefix "C" -Cylindrical O.D.
For North America

INSERT BALL BEARING



SA-F

Eccentric locking collar type

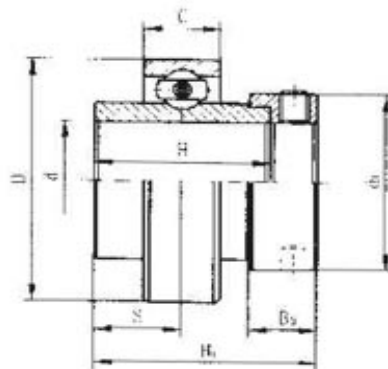


CSA-F

Cylindrical O. D. type

Bearing No.	Shaft Dia.		Dimensions(mm)/(in.)							Basic load rating (N)		Mass (kg)
	d		D	C	B	B ₁	S	B _s	d ₁	Dynamic Cr	Static Cor	
	(in.)	(mm)										
CSA 001F		12										
001-8F	1/2		35	11	15.9	23.8	5.5	11.1	25.4	7650	3720	
001-9F	9/16											
002F		15	1.3780	0.4330	0.6250	0.9375	0.2165	0.4375	1.0000			
002-10F	5/8											
CSA 004-12F	3/4		42	12	16.7	24.6	6	11.1	29.8	9380	5020	
004F		20	1.6535	0.4720	0.6563	0.9688	0.2362	0.4375	1.1719			
SA 005-14F	7/8		47	12	17.5	25.4	6.0	11.9	36.1	10000	5850	
005-15F	15/16											
005F		25	1.8504	0.4720	0.6875	1.0000	0.2362	0.4688	1.4219			
005-16F	1											
SA 006-18F	1-1/8		55	13	18.5	26.5	6.5	11.9	42.5	13200	8300	
006F		30	2.1654	0.5120	0.7283	1.0433	0.2559	0.4688	1.6719			
006-19F	1-3/16											
006-20F	1-1/4											

Note: Prefix *C* - Cylindrical O.D.

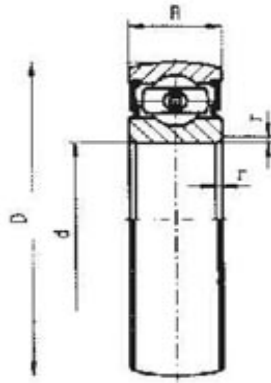


NAA

Cylindrical O. D., Eccentric locking collar type

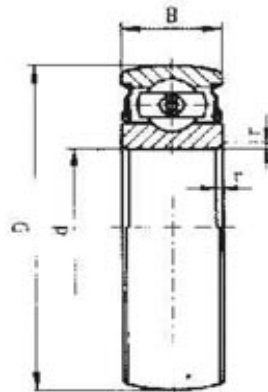
Bearing No.	Shaft Dia.		Dimensions(mm)/(in.)							Eccentric collar	Basic load rating (N)		Mass (kg)
	d		D	B	C	S	B ₁	B ₂	d ₁		Dynamic Cr	Static Cor	
	(in.)	(mm)											
NAA 306-18	1-1/8		72	36.5	19	17.5	50.0	17.5	50	A 306-18	27000	15200	0.71
306		30	2.8346	1.4370	0.7480	0.6890	1.9685	0.6890	1.9685				
306-19	1-3/16												
NAA 310-30	1-7/8		110	49.2	27	24.6	66.6	22.2	76.2	A 310-30	61750	37800	1.93
310-31	1-15/16		4.3307	1.9370	1.0630	0.9685	2.6220	0.8740	3.0000				
310		50											

INSERT BALL BEARING



CS-2RS Series

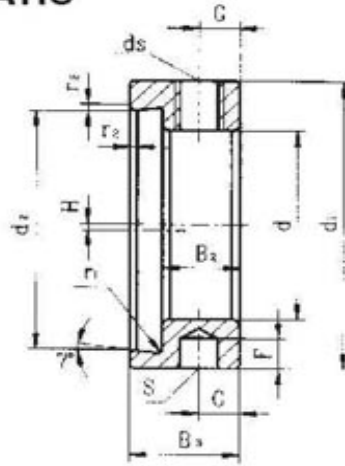
Bearing No.	Dimensions(mm)/(in.)				Basic load rating (N)		Mass (kg)
	d	D	B	r(min)	Dynamic Cr	Static Cor	
CS 201	12	32	10	0.6	6800	3050	0.039
CS 202	15	35	11	0.6	7650	3720	0.039
CS 203	17	40	12	0.6	9580	4780	0.05
CS 204	20	47	14	1	12800	6650	0.095
CS 205	25	52	15	1	14000	7880	0.11
CS 305		62	17	1.1	22200	11500	0.20
CS 206	30	62	16	1	19500	11500	0.18
CS 306		72	19	1.1	27000	15200	0.30
CS 207	35	72	17	1.1	25500	15200	0.25
CS 307		80	21	1.5	33200	19200	0.40
CS 208	40	80	18	1.1	29500	18000	0.32
CS 308		90	23	1.5	40800	24000	0.55
CS 209	45	85	19	1.1	31500	20800	0.37
CS 309		100	25	1.5	52800	31500	0.73
CS 210	50	90	20	1.1	35000	23200	0.41
CS 310		110	27	2	61800	38000	0.95



ORAE Series

Bearing No.	Dimensions(mm)/(in.)				Basic load rating (N)		Mass (kg)
	d	D	B	r(m in)	Dynamic Cr	Static Cor	
ORAE30NPPB	30	62	18	1	19500	11500	0.21
ORAE40NPPB	40	80	22	1.1	29500	18200	0.38

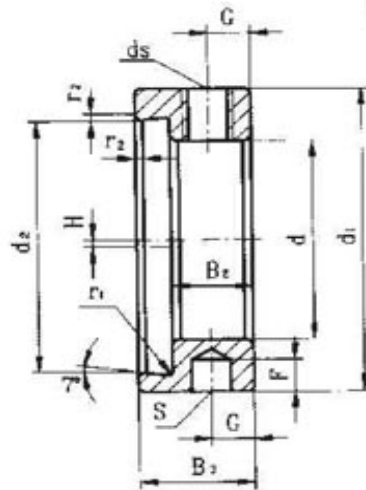
ECCENTRIC LOCKING COLLARS



A Series

Collar No.	Bore Dia. Of Collar		Dimensions(mm)/(in.)											Mass (kg)		
	d (in.)	d (mm)	d_1	d_2	B_2	B_1	H	r_1	r_2	G	F	S	ds			
A 201		12														
A 201-8	1/2		28.6	21.6	9.5	13.5	0.8	0.4	0.8	5	3.5	5	1/4-28UNF	M6X1	0.05	
A 202		15	1.1260	0.8504	0.374	0.5315	0.0315	0.0157	0.0315	0.1969	0.1378	0.1969				
A 202-10	5/8															
A 203		17	28.6	21.6	9.5	13.5	0.8	0.4	0.8	5	3.5	5	1/4-28UNF	M6X1	0.05	
A 203-11	11/16		1.1260	0.8504	0.374	0.5315	0.0315	0.0157	0.0315	0.1969	0.1378	0.1969				
A 204-12	3/4		33.3	26.6	9.5	13.5	0.8	0.4	0.8	5	4	5	1/4-28UNF	M6X1	0.06	
A 204		20	1.3110	1.0472	0.374	0.5315	0.0315	0.0157	0.0315	0.1969	0.1575	0.1969				
A 205-14	7/8		38.1	31.6	9.5	13.5	0.8	0.4	0.8	5	4	5	1/4-28UNF	M6X1	0.07	
A 205-15	15/16		1.5000	1.2441	0.374	0.5315	0.0315	0.0157	0.0315	0.1969	0.1575	0.1969				
A 205		25														
A 205-16	1															
A 206-18	1-1/8		44.5	37.9	11.9	15.9	0.8	0.4	0.8	6	4	5	5/16-24UNF	M6X1	0.10	
A 206		30	1.7520	1.4921	0.4685	0.6260	0.0315	0.0157	0.0315	0.2362	0.1575	0.1969				
A 206-19	1-3/16		55.6	44.7	13.5	17.5	0.8	0.4	0.8	6.5	5	7	5/16-24UNF	M8X1	0.10	
A 206-20	1-1/4		2.1890	1.7598	0.5315	0.6890	0.0315	0.0157	0.0315	0.2559	0.1969	0.2756				
A 207-20	1-1/4															
A 207-21	1-5/16		55.6	44.7	13.5	17.5	0.8	0.4	0.8	6.5	5	7	5/16-24UNF	M8X1	0.19	
A 207-22	1-3/8		2.1890	1.7598	0.5315	0.6890	0.0315	0.0157	0.0315	0.2559	0.1969	0.2756				
A 207		35														
A 207-23	1-7/16															
A 208-24	1-1/2		60.3	49.4	13.5	18.3	1.6	0.4	1.2	6.5	5	7	5/16-24UNF	M8X1	0.22	
A 208-25	1-9/16		2.3740	1.9449	0.5315	0.7205	0.0630	0.0157	0.0472	0.2559	0.1969	0.2756				
A 208		40														
A 209-26	1-5/8		63.5	54.4	13.5	18.3	1.6	0.4	1.2	6.5	5	7	5/16-24UNF	M8X1	0.25	
A 209-27	1-11/16		2.5000	2.1417	0.5315	0.7205	0.0630	0.0157	0.0472	0.2559	0.1969	0.2756				
A 209-28	1-3/4															
A 209		45														
A 210-30	1-7/8		69.9	60	13.5	18.3	1.6	0.4	1.2	6.5	5	7	5/16-24UNF	M8X1	0.26	
A 210-31	1-15/16		2.7520	2.3622	0.5315	0.7205	0.0630	0.0157	0.0472	0.2559	0.1969	0.2756				
A 210		50														
A 211-32	2		76.2	66.9	15.9	20.7	1.6	0.6	1.2	8	6	8.4	3/8-24UNF	M10X1.25	0.36	
A 211-34	2-1/8		3.0000	2.6338	0.6260	0.8150	0.0630	0.0236	0.0472	0.3150	0.2362	0.3307				
A 211		55														
A 211-35	2-3/16															
A 212-36	2-1/4		84.2	73.5	15.9	22.3	1.6	0.6	1.6	8	6	8.4	3/8-24UNF	M10X1.25	0.44	
A 212		60	3.3150	2.8937	0.6260	0.8780	0.0630	0.0236	0.0630	0.3150	0.2362	0.3307				
A 212-38	2-3/8															
A 212-39	2-7/16															
A 213-40	2-1/2		86	79	17.5	23.5	1.6	0.6	1.6	8.5	6	8.4	3/8-24UNF	M10X1.25	0.41	
A 213		65	3.3858	3.1102	0.6890	0.9252	0.0630	0.0236	0.0630	0.3346	0.2362	0.3307				
A 214-44	2-3/4		96.8	83.3	17.1	23.5	1.6	0.6	1.6	8.5	6	8.8	3/8-24UNF	M10X1.25	0.40	
A 214		70	3.8110	3.2795	0.6732	0.9252	0.0630	0.0236	0.0630	0.3346	0.2362	0.3465				
A 215		75														
A 215-48	3		4.0157	3.4527	0.6890	0.9409	0.0630	0.0157	0.0630	0.3346	0.2362	0.3465	3/8-24UNF	M10X1.25	0.63	
A 216		80	110	94.6	20.6	27	1.6	0.4	1.6	10.3	7	10.8	7/16-20UNF	M12X1.25	0.61	
			4.3307	3.7244	0.8110	1.0630	0.0630	0.0157	0.0630	0.4055	0.2756	0.4252				

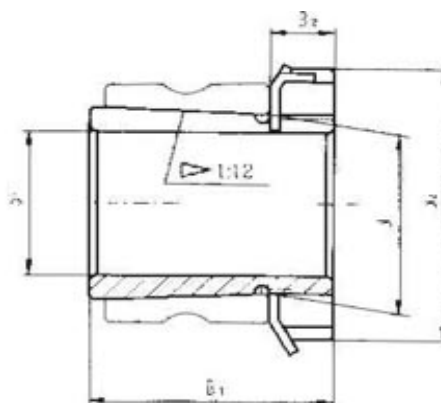
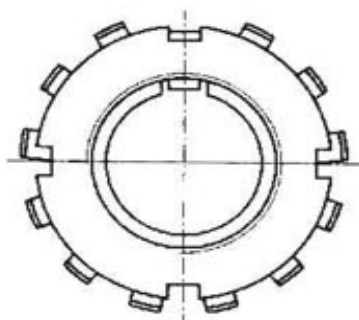
ECCENTRIC LOCKING COLLARS



A Series

Collar No.	Bore Dia. Of Collar		Dimensions(mm)/(in.)										Mass (kg)	
	d		d ₁	d ₂	B ₁	B ₂	H	r ₁	r ₂	G	F	S		ds
	(in.)	(mm)												
A 305-14	7/8	25	42.8	33.2	11.9	15.9	0.8	0.4	0.8	6	5	7	M8X1	0.11
305-15	15/16		1.6850	1.3071	0.4685	0.6260	0.0315	0.0157	0.0315	0.2362	0.1969	0.2756		0.10
305	1													0.10
305-16	1													0.10
A 306-18	1-1/8	30	50	42.4	13.5	17.5	0.8	0.4	0.8	6.7	5	7	M8X1	0.14
306	1-3/16		1.9685	1.6693	0.5315	0.6890	0.0315	0.0157	0.0315	0.2638	0.1969	0.2756		0.13
306-19	1-3/16													0.13
A 307-20	1-1/4	35	55	46.7	13.5	17.5	0.8	0.4	0.8	6.7	5	5	M8X1	0.19
307-21	1-5/16		2.1654	1.8386	0.5315	0.6890	0.0315	0.0157	0.0315	0.2638	0.1969	0.2756		0.18
307-22	1-3/8													0.17
307														0.17
307-23	1-7/16													0.16
A 308-24	1-1/2	40	63.5	52.7	15.8	20.6	1.6	0.4	1.2	8	6	8.4	M10X1.25	0.27
308-25	1-9/16		2.5000	2.0748	0.6220	0.8110	0.0630	0.0157	0.0472	0.3150	0.2362	0.3307		0.26
308														
A 309-26	1-5/8	45	70	58	15.8	20.6	1.6	0.4	1.2	8	6	8.4	M10X1.25	0.34
309-27	1-11/16		2.7559	2.2835	0.6220	0.8110	0.0630	0.0157	0.0472	0.3150	0.2362	0.3307		0.33
309-28	1-3/4													0.32
309														0.31
A 310-30	1-7/8	50	76.2	64.9	17.4	22.2	1.6	0.4	1.2	8.7	6	8.4	M10X1.25	0.40
310-31	1-15/16		3.0000	2.5512	0.6850	0.8740	0.0630	0.0157	0.0472	0.3425	0.2362	0.3307		0.39
310														0.38
A 311-32	2	55	83	71.7	17.4	22.2	1.6	0.4	1.2	9	6	8.4	M10X1.25	0.48
311-34	2-1/8		3.2677	2.8228	0.6850	0.8740	0.0630	0.0157	0.0472	0.3543	0.2362	0.3307		0.44
311														0.43
311-35	2-3/16													0.43
A 312-36	2-1/4	60	89	76.2	17.5	23.9	1.6	0.4	1.6	9	6	8.4	M10X1.25	0.54
312			3.5039	3.0000	0.6890	0.9409	0.0630	0.0157	0.0630	0.3543	0.2362	0.3307		0.51
312-38	2-3/8													0.51
312-39	2-7/16													0.49
A 313-40	2-1/2	65	97	83.7	20.6	27	1.6	0.4	1.6	11.5	6	10.5	M12X1.25	0.69
313			3.8189	3.2953	0.8110	1.0630	0.0630	0.0157	0.0630	0.4528	0.2362	0.4134		0.67
A 314-44	2-3/4	70	102	90.2	23.8	30.2	1.6	0.4	1.6	12	6	10.5	M12X1.25	
314			4.0157	3.5512	0.9370	1.1890	0.0630	0.0157	0.0630	0.4724	0.2362	0.4134		
A 315		75	113	96.7	25.4	31.8	1.6	0.4	1.6	13	7	10.5	M16X1.5	
315-48	3		4.4488	3.8071	1.0000	1.2520	0.0630	0.0157	0.0630	0.5118	0.2756	0.4134		
A 316		80	119	102.5	25.4	31.8	2.4	0.4	2	13	7	10.5	M16X1.5	
			4.6850	4.0354	1.0000	1.2520	0.0945	0.0157	0.0787	0.5118	0.2756	0.4134		
A 317-52	3-1/4	85	127	108.1	25.4	31.8	2.4	0.4	2	13	7	10.5	M16X1.5	
317			5.0000	4.2559	1.0000	1.2520	0.0945	0.0157	0.0787	0.5118	0.2756	0.4134		
A 318-56	3-1/2	90	133	114.6	28.6	36.5	2.4	0.4	2	14.5	7	10.5	M20X1.5	
318			5.2362	4.5118	1.1260	1.4370	0.0945	0.0157	0.0787	0.5709	0.2756	0.4134		
A 319		95	140	121.1	28.6	36.5	2.4	0.4	2	14.5	7	10.5	M20X1.5	
319-60	3-3/4		5.5118	4.7677	1.1260	1.4370	0.0945	0.0157	0.0787	0.5709	0.2756	0.4134		
A 320		100	146	129.1	28.6	36.5	2.4	0.4	2.5	14.5	7	10.5	M20X1.5	
320-64	4		5.7480	5.0827	1.1260	1.4370	0.0945	0.0157	0.0984	0.5709	0.2756	0.4134		

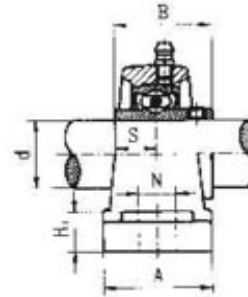
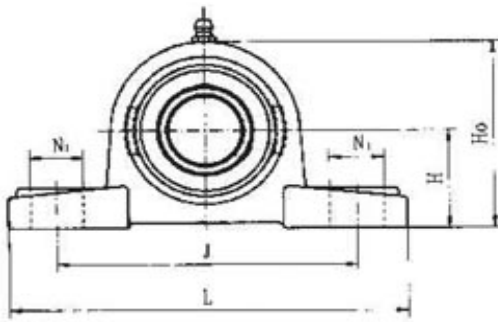
ADAPTERS



H Series

Adapter No.	Inside Dia of sieve		Dimensions(mm)			Sleeve No.	Locknut No.	Washer No.	Bearing No.
	d (in.)	d (mm)	B ₁	d ₂	B ₂				
HE 2305 H 2305	3/4	20	35	38	8	AE 2305 A2305	KM 05	MB 05	UK 205 UK 305
HS 2306 HA 2306 H 2306 HE 2306	7/8 15/16 1	25	38	45	8	AS 2306 AA 2306 A 2306 AE 2306	KM 06	MB 06	UK 206 UK 306
HS 2307 H 2307 HA 2307	1-1/8 1-3/16	30	43	52	9	AS 2307 A 2307 AA 2307	KM 07	MB 07	UK 207 UK 307
HE 2308 HS 2308 H 2308	1-1/4 1-3/8	35	46	58	10	AE 2308 AS 2308 A 2308	KM 08	MB 08	UK 208 UK 308
HA 2309 HE 2309 H 2309	1-7/16 1-1/2	40	50	65	11	AA 2309 AE 2309 A 2309	KM 09	MB 09	UK 209 UK 309
HS 2310 HA 2310 HE 2310 H 2310	1-5/8 1-11/16 1-3/4	45	55	70	12	AS 2310 AA 2310 AE 2310 A 2310	KM 10	MB 10	UK 210 UK 310
HS 2311 HA 2311 H 2311 HE 2311	1-7/8 1-15/16 2	50	59	75	12	AS 2311 AA 2311 A 2311 AE 2311	KM 11	MB 11	UK 211 UK 311
HS 2312 H 2312	2-1/8	55	62	80	13	AS 2312 A 2312	KM 12	MB 12	UK 212 UK 312
HA 2313 HE 2313 H 2313 HS 2313	2-3/16 2-1/4 2-3/8	60	65	85	14	AA 2313 AE 2313 A 2313 AS 2313	KM 13	MB 13	UK 213 UK 313
HA 2315 HE 2315 H 2315	2-7/16 2-1/2	65	73	98	15	AA 2315 AE 2315 A 2315	KM 15	MB 15	UK 215 UK 315
HA 2316 HE 2316 H 2316	2-11/16 2-3/4	70	78	105	17	AA 2316 AE 2316 A 2316	KM 16	MB 16	UK 216 UK 316
HA 2317 H 2317 HE 2317	2-15/16 3	75	82	110	18	AA 2317 A 2317 AE 2317	KM 17	MB 17	UK 217 UK 317
H 2318		80	86	120	18	A 2318	KM 18	MB 18	UK 218 UK 318
HE 2319 H 2319	3-1/4	85	90	125	19	AE 2319 A 2319	KM 19	MB 19	UK 319
HE 2320 H 2320	3-1/2	90	97	130	20	AE 2320 A 2320	KM 20	MB 20	UK 320

PILLOW BLOCKS

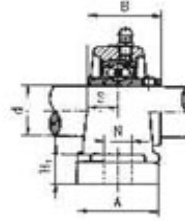
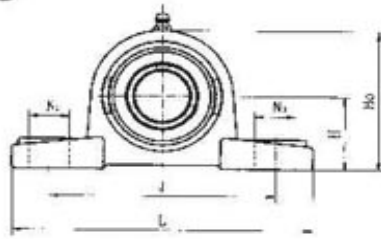


UCP Set screw type

Unit No.	Shaft Dia.		Dimensions(mm)										Bolt Size	Bearing No.	Housing No.	Mass (kg)	Available	
	d (in.)	d (mm)	H	L	J	A	N	N ₁	H ₁	H ₀	S	B					N	N ₁
UCP 202 202-10 203 203-11	5/8 11/16	15 17	30.2	125	96	32	12	16	13	57	11.5	27.4	M10	UC 202 202-10 203 203-11	P203	0.6	--	--
UCP 204-12 204	3/4	20	33.3	127	96	37	13	16	14	63.8	12.7	31	M10	UC 204-12 204	P204	0.65	13	19
UCP 205-14 205-15 205 205-16	7/8 15/16 1	25	36.5	140	105	38	13	16	15	69.5	14.3	34	M10	UC 205-14 205-15 205 205-16	P205	0.72	--	--
UCP 206-18 206 206-19 206-20	1-1/8 1-3/16 1-1/4	30	42.9	160	121	44	14	19	16	82	15.9	38.1	M12	UC 206-18 206 206-19 206-20	P206	1.15	17	21
UCP 207-20 207-21 207-22 207 207-23	1-1/4 1-5/16 1-3/8 1-7/16	35	47.6	167	126	48	14	19	17	92	17.5	42.9	M12	UC 207-20 207-21 207-22 207 207-23	P207	1.53	17	21
UCP 208-24 208-25 208	1-1/2 1-9/16	40	49.2	180	136	52	14	19	18	98	19	49.2	M12	UC 208-24 208-25 208	P208	1.88	17	23
UCP 209-26 209-27 209-28 209	1-5/8 1-11/16 1-3/4	45	54	189	146	54	14	19	20	105.5	19	49.2	M12	UC 209-26 209-27 209-28 209	P209	2.1	17	23
UCP 210-30 210-31 210	1-7/8 1-15/16	50	57.2	204	159	57	19	20.5	21	112.2	19	51.6	M16	UC 210-30 210-31 210	P210	2.5	--	--
UCP 211-32 211-34 211 211-35	2 2-1/8 2-3/16	55	63.5	217	172	60	19	20.5	22	124.5	22.2	55.6	M16	UC 211-32 211-34 211 211-35	P211	3.3	--	--
UCP 212-36 212 212-38 212-39	2-1/4 2-3/8 2-7/16	60	69.9	238	186	66	19	22	24	137	25.4	65.1	M16	UC 212-36 212 212-38 212-39	P212	5.5	--	--
UCP 213-40 213	2-1/2	65	76.2	262	203	70	23	24	26	149	25.4	65.1	M20	UC 213-40 213	P213	5.6	25	29
UCP 214-44 214	2-3/4	70	79.4	266	210	72	23	24	27	155	30.2	74.6	M20	UC 214-44 214	P214	6.6	25	29
UCP 215 215-48	3	75	82.6	274	217	74	24	24	28	161.6	33.3	77.8	M20	UC 215 215-48	P215	7.3	--	--
UCP 216 217	3-1/4	85	88.9	292	232	78	24	24	30	174	33.3	82.6	M20	UC 216 217	P216	8.3	--	--
UCP 217-52 217	3-1/4	85	95.2	310	247	83	25	24	32	186	34.1	85.7	M20	UC 217-52 217	P217	10.8	--	--
UCP 218-56 218	3-1/2	90	101.6	326	262	88	27	34	33	198	39.7	96	M22	UC 218-56 218	P218	13	27	33

Note: Grease fittings can locate at 45° position of housings front right side

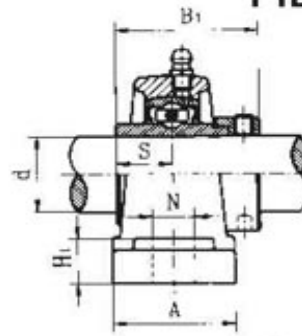
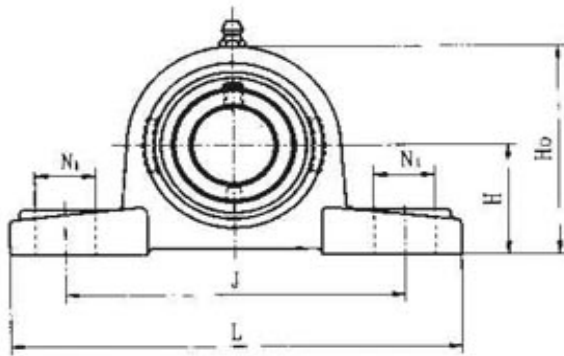
PILLOW BLOCKS



UCP
Set screw type

Unit No.	Shaft Dia.		Dimensions(mm)										Bolt Size	Bearing No.	Housing No.	Mass (kg)
	d (in.)	d (mm)	H	L	J	A	N	N ₁	H ₁	H ₀	S	B				
UCP 305-14 305-15 305 305-16	7/8 15/16 1	25	45	173	132	45	17	20	15	85	15	38	M14	UC 305-14 305-15 305 305-16	P305	1.4
UCP 306-18 306 306-19	1-1/8 1-3/16	30	50	180	140	50	17	20	15	95	17	43	M14	UC 306-18 306 306-19	P306	1.8
UCP 307-20 307-21 307-22 307	1-1/4 1-5/16 1-3/8	35	56	210	160	56	17	25	19	106	19	48	M14	UC 307-20 307-21 307-22 307	P307	2.8
UCP 308-24 308-25 308	1-1/2 1-9/16	40	60	218	170	62	18	25	19	116	19	52	M14	UC 308-24 308-25 308	P308	3.0
UCP 309-26 309-27 309-28 309	1-5/8 1-11/16 1-3/4	45	67	244	190	66	20	26	23	129	22	57	M16	UC 309-26 309-27 309-28 309	P309	4.1
UCP 310-30 310-31 310	1-7/8 1-15/16	50	75	271	212	74	20	30	26	143	22	61	M16	UC 310-30 310-31 310	P310	5.8
UCP 311-32 311-34 311 311-35	2 2-1/8 2-3/16	55	80	300	236	80	20	32	29	154	25	66	M16	UC 311-32 311-34 311 311-35	P311	7.4
UCP 312-36 312 312-38 312-39	2-1/4 2-3/8 2-7/16	60	85	325	250	85	23	35	31	164	26	71	M20	UC 312-36 312 312-38 312-39	P312	9.4
UCP 313-40 313	2-1/2	65	90	335	260	90	25	38	33	176	30	75	M20	UC 313-40 313	P313	10
UCP 314-44 314	2-3/4	70	95	360	280	93	27	40	34	187	31	78	M22	UC 314-44 314	P314	12
UCP 315 315-48	3	75	100	380	290	100	27	40	35	198	32	82	M22	UC 315 315-48	P315	14
UCP 316		80	106	400	300	105	27	40	37	210	34	86	M22	UC 316	P316	18
UCP 317-52 317	3-1/4	85	112	420	320	110	33	45	40	220	40	96	M27	UC 317-52 317	P317	20
UCP 318-56 318	3-1/2	90	118	430	330	110	33	45	40	234	40	96	M27	UC 318-56 318	P318	24
UCP 319 319-60	3-3/4	95	125	470	360	120	36	50	46	248	41	103	M30	UC 319 319-60	P319	29
UCP 320 320-64	4	100	140	490	380	120	36	50	50	275	42	108	M30	UC 320 320-64	P320	35
UCP 321		105	140	490	380	120	36	50	56	283	44	112	M18x1.5	UC 321	P321	35
UCP 322		110	150	520	400	140	40	55	61	303	46	117	M18x1.5	UC 322	P322	45
UCP 324		120	160	570	450	140	40	55	71	323	51	126	M18x1.5	UC 324	P324	55
UCP 326		130	180	600	480	140	40	55	81	363	54	135	M20x1.5	UC 326	P326	72
UCP 328		140	200	620	500	140	40	55	81	403	59	145	M20x1.5	UC 328	P328	89

PILLOW BLOCKS



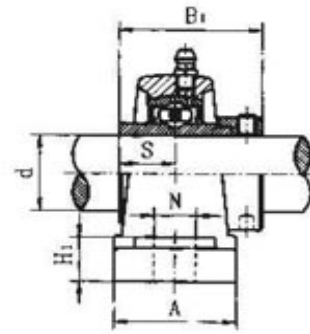
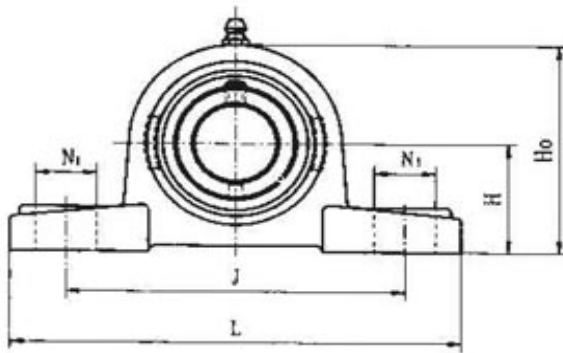
NAP

Eccentric locking collar type

Unit No.	Shaft Dia.		Dimensions(mm)										Bolt Size	Bearing No.	Housing No.	Mass (kg)	Available		
	d (in.)	d (mm)	H	L	J	A	N	N _i	H _i	H _o	S	B ₁					N	N _i	
NAP 202		15													NA 202				
202-10	5/8	17	30.2	125	96	32	12	16	13	57	13.9	37.3	M10	202-10	P203	0.68	--	--	
203														203					
203-11	11/16													203-11					
NAP 204-12	3/4	20	33.3	127	96	37	13	16	14	63.8	17	43.5	M10	NA 204-12	P204	0.72	13	19	
204														204					
NAP 205-14	7/8													NA 205-14					
205-15	15/16	25	36.5	140	105	38	13	16	15	69.5	17.4	44.3	M10	205-15	P205	0.8	--	--	
205														205					
205-16	1													205-16					
NAP 206-18	1-1/8	30	42.9	160	121	44	14	19	16	82	18.2	48.3	M12	NA 206-18	P206	1.35	17	21	
206														206					
206-19	1-3/16													206-19					
206-20	1-1/4													206-20					
NAP 207-20	1-1/4													NA 207-20					
207-21	1-5/16	35	47.6	167	126	48	14	19	17	92	18.8	51.1	M12	207-21	P207	1.7	17	21	
207-22	1-3/8													207-22					
207														207					
207-23	1-7/16													207-23					
NAP 208-24	1-1/2	40	49.2	180	136	52	14	11	18	98	21.4	56.3	M12	NA 208-24	P208	2	17	23	
208-25	1-9/16													208-25					
208														208					
NAP 209-26	1-5/8													NA 209-26					
209-27	1-11/16	45	54	189	146	54	15	19	20	105.5	21.4	56.3	M12	209-27	P209	2.42	17	23	
209-28	1-3/4													209-28					
209														209					
NAP 210-30	1-7/8													NA 210-30					
210-31	1-15/16	50	57.2	204	159	57	19	20.5	21	112.2	24.6	62.7	M16	210-31	P210	2.75	--	--	
210														210					
NAP 211-32	2													NA 211-32					
211-34	2-1/8	55	63.5	217	172	60	19	20.5	22	124.5	27.7	71.3	M16	211-34	P211	3.56	--	--	
211														211					
211-35	2-3/16													211-35					
NAP 212-36	2-1/4	60	69.9	238	186	66	19	22	24	137	30.9	77.7	M16	NA 212-36	P212	5.2	--	--	
212														212					
212-38	2-3/8													212-38					
212-39	2-7/16													212-39					
NAP 213-40	2-1/2	65	76.2	262	203	70	23	24	26	149	34.1	85.7	M20	NA 213-40	P213	6.3	25	29	
213														213					
NAP 214-44	2-3/4	70	79.4	266	210	72	23	24	27	155	34.1	85.7	M20	NA 214-44	P214	7	25	29	
214														214					
NAP 215		75	82.6	274	217	74	25	24	28	161.6	37.3	92.1	M20	NA 215	P215	7.8	--	--	
215-48	3													215-48					
NAP 216		80	88.9	292	232	78	25	34	30	174	37.3	95.2	M20	NA 216	P216	8.3	--	--	

Note: Grease fittings can locate at 45° position of housings front right side.

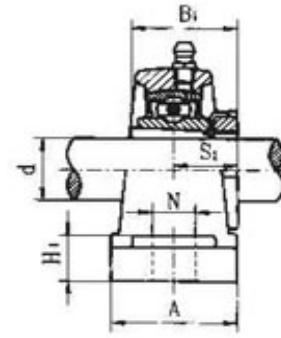
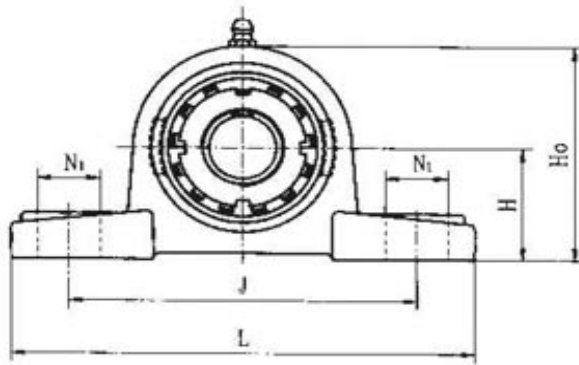
PILLOW BLOCKS



NAP
Eccentric locking collar type

Unit No.	Shaft Dia.		Dimensions(mm)										Bolt Size	Bearing No.	Housing No.	Mass (kg)
	d (in.)	d (mm)	H	L	J	A	N	N ₁	H _i	H _o	S	B				
NAP 305-14 305-15 305 305-16	7/8 15/16 1	25	45	173	132	45	17	20	15	85	16.7	46.8	M14	NA 305-14 305-15 305 305-16	P305	1.4
NAP 306-18 306 306-19	1-1/8 1-3/16	30	50	180	140	50	17	20	15	95	17.5	50	M14	NA 306-18 306 306-19	P306	1.9
NAP 307-20 307-21 307-22 307	1-1/4 1-5/16 1-3/8	35	56	210	160	56	17	25	19	106	18.3	51.6	M14	NA 307-20 307-21 307-22 307	P307	2.9
NAP 308-24 308-25 308	1-1/2 1-9/16	40	60	218	170	62	18	25	19	116	19.8	57.1	M14	NA 308-24 308-25 308	P308	3.1
NAP 309-26 309-27 309-28 309	1-5/8 1-11/16 1-3/4	45	67	244	190	66	20	26	23	129	19.8	58.7	M16	NA 309-26 309-27 309-28 309	P309	4.3
NAP 310-30 310-31 310	1-7/8 1-15/16	50	75	271	212	74	20	30	26	143	24.6	66.6	M16	NA 310-30 310-31 310	P310	6.0
NAP 311-32 311-34 311 311-35	2 2-1/8 2-3/16	55	80	300	236	80	20	32	29	154	27.8	73	M16	NA 311-32 311-34 311 311-35	P311	7.7
NAP 312-36 312 312-38 312-39	2-1/4 2-3/8 2-7/16	60	85	325	250	85	23	35	31	164	30.95	79.4	M20	NA 312-36 312 312-38 312-39	P312	9.7
NAP 313-40 313	2-1/2	65	90	335	260	90	25	38	33	176	32.5	85.7	M20	NA 313-40 313	P313	11

PILLOW BLOCKS

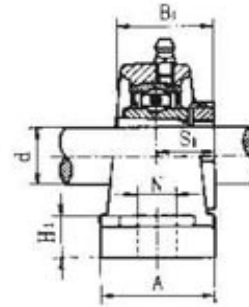
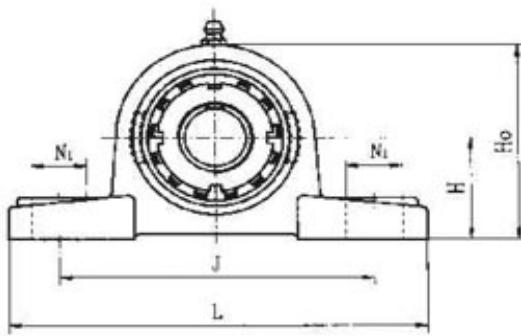


UKP + H
Tapered bore, adapter type

Unit No.	Shaft Dia.		Dimensions(mm)										Bolt Size	Bearing No.	Housing No.	Adapter No.	Mass (kg)	Available	
	d (in.)	d (mm)	H	L	J	A	N	N _t	H _i	H ₀	S	B						N	N _t
UKP 205+HE2305 205+H2305	3/4	20	36.5	140	105	38	13	16	15	69.5	18.5	35	M10	UK 205	P205	HE 2305 H2305	0.83	--	--
UKP 206+HS2306 206+HA2306 206+H2306 206+HE2306	7/8 15/16 1	25	42.9	160	121	44	14	19	16	82	20.5	38	M12	UK 206	P206	HS 2306 HA 2306 H 2306 HE 2306	1.3	17	21
UKP 207+HS2307 207+H2307 207+HA2307	1-1/8 1-3/16	30	47.6	167	126	48	15	19	17	92	22.5	43	M12	UK 207	P207	HS 2307 H 2307 HA 2307	1.5	17	21
UKP 208+HE2308 208+HS2308 208+H2308	1-1/4 1-3/8	35	49.2	180	136	52	15	19	18	98	24.5	46	M12	UK 208	P208	HE 2308 HS 2308 H 2308	2.0	17	23
UKP 209+HA2309 209+HE2309 209+H2309	1-7/16 1-1/2	40	54	189	146	54	15	19	20	105.5	26	50	M12	UK 209	P209	HA 2309 HE 2309 H2309	2.3	17	23
UKP 210+HS2310 210+HA2310 210+HE2310 210+H2310	1-5/8 1-11/16 1-3/4	45	57.2	204	159	57	19	20.5	21	112.2	27.5	55	M16	UK 210	P210	HS 2310 HA 2310 HE 2310 H 2310	3.0	--	--
UKP 211+HS2311 211+HA2311 211+H2311 211+HE2311	1-7/8 1-15/16 2	50	63.5	217	172	60	19	20.5	22	124.5	28.5	59	M16	UK 211	P211	HS 2311 HA 2311 H 2311 HE 2311	3.5	--	--
UKP 212+HS2312 212+H2312	2-1/8	55	69.9	238	186	66	19	22	24	137	31	62	M16	UK 212	P212	HS 2312 H 2312	4.7	--	--
UKP 213+HA2313 213+HE2313 213+H2313 213+HS2313	2-3/16 2-1/4 2-3/8	60	76.2	262	203	70	23	24	26	149	32	65	M20	UK 213	P213	HA 2313 HE 2313 H 2313 HS 2313	5.9	25	29
UKP 215+HA2315 215+HE2315 215+H2315	2-7/16 2-1/2	65	82.6	274	217	74	25	24	28	161.6	35.5	73	M20	UK 215	P215	HA 2315 HE 2315 H 2315	7.6	--	--
UKP 216+HA2316 216+HE2316 216+H2316	2-11/16 2-3/4	70	88.9	292	232	78	25	24	30	174	39	78	M20	UK 216	P216	HA 2316 HE 2316 H 2316	9.2	--	--
UKP 217+H2317	75	95.2	310	247	83	25	24	32	186	40	82	M20	UK 217	P217	H 2317		--	--	
UKP 218+H2318	80	101.6	326	262	88	27	34	33	198	42	86	M22	UK 218	P218	H 2318		27	33	

Note: Grease fittings can locate at 45° position of housings front right side.

PILLOW BLOCKS

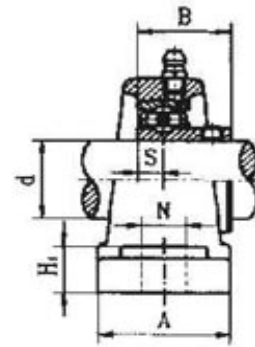
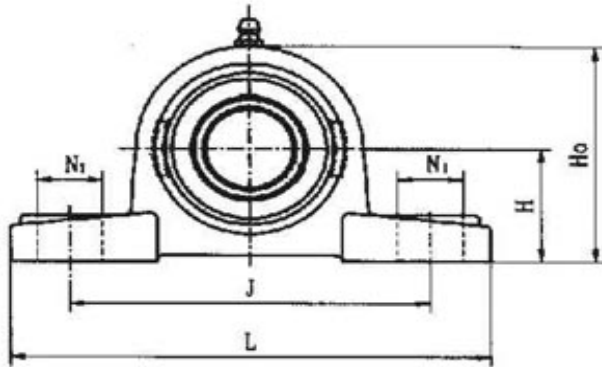


UKP + H

Tapered bore, adapter type

Unit No.	Shaft Dia.		Dimensions(mm)										Bolt Size	Bearing No.	Housing No.	Adapter No.	Mass (kg)
	d		H	L	J	A	N	Ni	Hi	Ho	S1	B1					
	(in.)	(mm)															
UKP 305+HE2305 305+H2305	3/4	20	45	173	132	45	17	20	15	85	21.5	35	M14	UK 305	P 305	HE2305 H2305	1.4
UKP 306+HS2306 306+HA2306 306+H2306 306+HE2306	7/8 15/16 1	25	50	180	140	50	17	20	15	95	23	38	M14	UK 306	P 306	HS2306 HA2306 H2306 HE2306	1.8
UKP 307+HS2307 307+H2307 307+HA2307	1-1/8 1-3/16	30	56	210	160	56	17	25	19	106	25.5	43	M14	UK 307	P 307	HS2307 H2307 HA2307	2.9
UKP 308+HE2308 308+HS2308 308+H2308	1-1/4 1-3/8	35	60	218	170	62	18	25	19	116	27.5	46	M14	UK 308	P 308	HE2308 HS2308 H2308	3.1
UKP 309+HA2309 309+HE2309 309+H2309	1-7/16 1-1/2	40	67	244	190	66	20	26	23	129	30	50	M16	UK 309	P 309	HA2309 HE2309 H2309	4.2
UKP 310+HS2310 310+HA2310 310+HE2310 310+H2310	1-5/8 1-11/16 1-3/4	45	75	271	212	74	20	30	26	143	32	55	M16	UK 310	P 310	HS2310 HA2310 HE2310 H2310	5.8
UKP 311+HS2311 311+HA2311 311+H2311 311+HE2311	1-7/8 1-11/16 2	50	80	300	236	80	20	32	29	154	33.5	59	M16	UK 311	P 311	HS2311 HA2311 H2311 HE2311	7.4
UKP 312+HS2312 312+H2312	2-1/8	55	85	325	250	85	23	35	31	164	36.5	62	M20	UK 312	P 312	HS2312 H2312	9.3
UKP 313+HA2313 313+HE2313 313+H2313 313+HS2313	2-3/16 2-1/4 2-3/8	60	90	335	260	90	25	38	33	176	38.5	65	M20	UK 313	P 313	HA2313 HE2313 H2313 HS2313	10

PILLOW BLOCKS

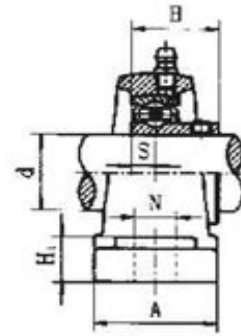
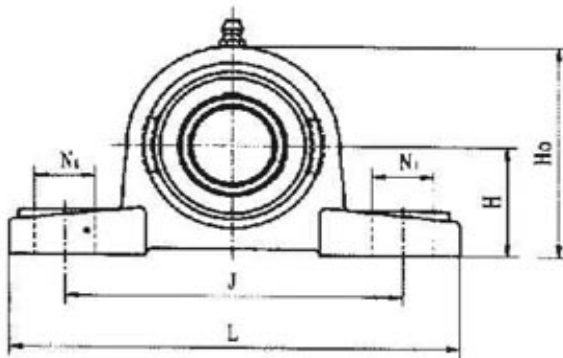


SBP-G Set screw type

Unit No.	Shaft Dia.		Dimensions(mm)										Bolt Size	Bearing No.	Housing No.	Mass (kg)	Available		
	d (in.)	(Mm)	H	L	J	A	N	N _i	H _i	H _o	S	B					N	N _i	
SBP 201G		12													SB 201G				
201-8G	1/2	15													201-8G				
202G			30.2	125	96	32	12	16	13	57	6	22	M10	202G	P203	0.63	--	--	
202-10G	5/8	17												202-10G					
203														203G					
203-11G	11/16													203-11G					
SBP 204-12G	3/4	20	33.3	127	96	37	13	16	14	63.8	7	25	M10	SB 204-12G	P204	0.63	13	19	
204G														204G					
SBP 205-14G	7/8													SB 205-14G					
205-15G	15/16	25	36.5	140	105	38	13	16	15	69.5	7.5	27	M10	205-15G	P205	0.83	--	--	
205G														205G					
205-16G	1													205-16G					
SBP 206-18G	1-1/8	30	42.9	160	121	44	14	19	16	82	8	29	M12	SB 206-18G	P206	1.34	17	21	
206G														206G					
206-19G	1-3/16													206-19G					
206-20G	1-1/4													206-20G					
SBP 207-20G	1-1/4	35	47.6	167	126	48	15	19	17	92	9	32	M12	SB 207-20G	P207	1.57	17	21	
207-21G	1-5/16													207-21G					
207-22G	1-3/8													207-22G					
207G														207G					
207-23G	1-7/16													207-23G					
SBP 208-24G	1-1/2	40	49.2	180	136	52	15	21	18	98	9.5	34	M12	SB 208-24G	P208	2.04	17	23	
208-25G	1-9/16													208-25G					
208G														208G					

Note: These numbers indicate relubricatable type. If maintenance free type is needed, please order without suffix "G".
Grease fittings can locate at 45° position of housings front right side.

LIGHT-DUTY PILLOW BLOCKS(LP2 TYPE)



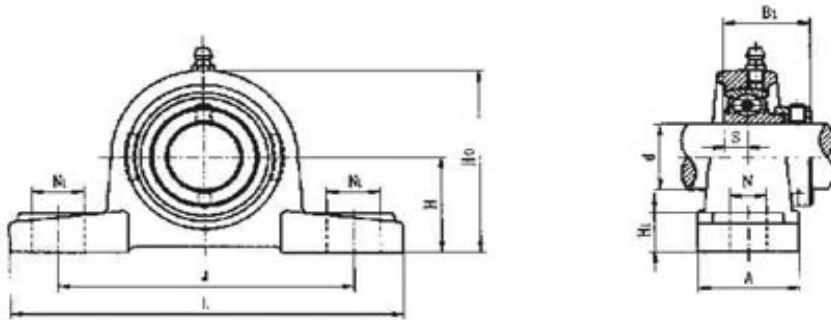
SBLP-G

Set screw type

Unit No.	Shaft Dia.		Dimensions(mm)										Bolt Size	Bearing No.	Housing No.	Mass (kg)		
	d (in.)	d (mm)	H	L	J	A	Ho	N	N1	Hi	S	B						
SBLP 201G		12													M10	SB 201G		0.36
201-8G	1/2	15	30.2	114	87	25	57	11	16	12	6	22	20	201-8G		LP203	0.36	
202G		17												202G				
202-10G	5/8													202-10G				
203G														203				
203-11G	11/16													203-11G				
SBLP 204-12G	3/4	20	33.3	125	97	27	63.8	11.5	16	14	7	25	M10	SB 204-12G	LP204	0.5		
204G														204G				
SBLP 205-14G	7/8													M10	SB 205-14G		0.6	
205-15G	15/16	25	36.5	130	100	29	69.5	11.5	16	15	7.5	27	205-15G		LP205			
205G													205G					
205-16G	1												205-16G					
SBLP 206-18G	1-1/8	30	42.9	156	121	33	82	14	21	16	8	29	M12	SB 206-18G		LP206	0.7	
206G														206G				
206-19G	1-3/16													206-19G				
206-20G	1-1/4													206-20G				
SBLP 207-20G	1-1/4													M12	SB 207-20G		0.95	
207-21G	1-5/16	35	47.6	165	127	35	93	14	21	16	9	32	207-21G		LP207			
207-22G	1-3/8															207-22G		
207G																207G		
207-23G	1-7/16															207-23G		
SBLP 208-24G	1-1/2		50.8	184	140	37	102	14	22	18	9.5	34	M12	SB 208-24G		LP208	1.82	
208-25G	1-9/16	40												208-25G				
208G														208G				

Note: These numbers indicate relubricatable type. If maintenance free type is needed, please order without suffix "G".

LIGHT-DUTY PILLOW BLOCKS(LP2 TYPE)



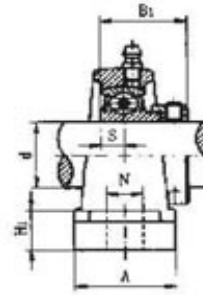
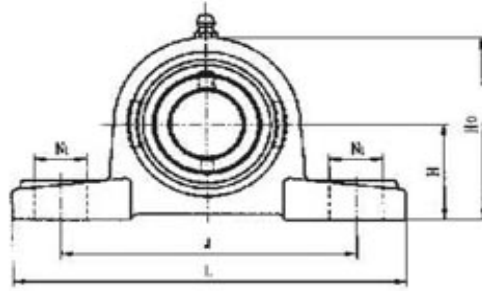
UCAK SALP-G

Eccentric locking collar type

Unit No.	Shaft Dia.		Dimensions(mm)										Bolt Size	Bearing No.	Housing No.	Mass (kg)	
	d		H	L	J	A	H ₀	N	N ₁	H ₁	S	B ₁					
	(in.)	(mm)															
SALP 201G	1 / 2	12	30.2	114	87	25	57	11	16	12	6.5	28.6	M10	SA 201G	LP203	0.4	
201-8G		15												202G		0.4	
202-10G		5/8												17		202-10G	0.38
203G		11/16												203G			
203-11G		203-11G															
SALP 204-12G	3 / 4	20	33.3	125	97	27	63.8	11.5	16	14	7	29.5	M10	SA 204-12G	LP204	0.52	
204G	20	204G															
SALP 205-14G	7/8	25	36.5	130	100	29	69.5	11.5	16	15	7.5	30.5	M10	SA 205-14G	LP205	0.61	
205-15G	15/16													205-15G			
205G	1													205G			
205-16G	205-16G																
SALP 206-18G	1-1/8	30	42.9	156	121	33	82	14	21	16	8	33.9	M12	SA 206-18G	LP206	0.73	
206G	206G																
206-19G	1-3/16													206-19G			
206-20G	1-1/4													206-20G			
SALP 207-20G	1-1/4	35	47.6	165	127	35	93	14	21	16	9	37.5	M12	SA 207-20G	LP207	1.0	
207-21G	1-5/16													207-21G			
207-22G	1-3/8													207-22G			
207G	207G																
207-23G	1-7/16													207-23G			
SALP 208-24G	1-1/2	40	50.8	184	140	37	102	14	22	18	9.5	40.5	M12	SA 208-24G	LP208	1.9	
208-25G	1-9/16													208-25G			
208G	208G																

Note: These numbers indicate relubricatable type. If maintenance free type is needed, please order without suffix "G".

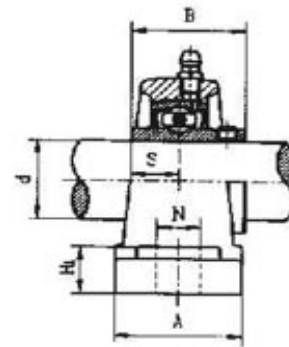
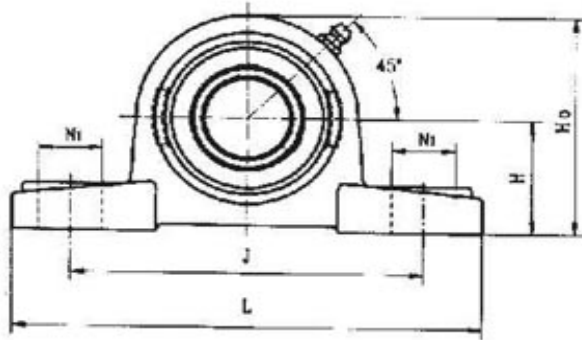
PILLOW BLOCKS



UCAK

Unit No.	Shaft Dia.		Dimensions(mm)									Bolt Size	Bearing No.	Housing No.	Mass (kg)
	d (in.)	d (mm)	Da	H	L	J	A	H ₀	N	N ₁	H ₁				
UCAK201		12	40	27	120	89	35	54	13	16	13	M10	UC201	AK201	0.73
UCAK202		15	40	27	120	89	35	54	13	16	13	M10	UC202	AK202	0.74
UCAK203		17	40	27	120	89	35	54	13	16	13	M10	UC203	AK203	0.73
UCAK204		20	47	31.8	133	98	41	63	13	16	14.3	M10	UC204	AK204	0.77
UCAK205		25	52	33.3	140	105	45	68	13	16	16	M10	UC205	AK205	0.93
UCAK206		30	62	39.7	160	121	48	80	15	19	17	M12	UC206	AK206	1.28
UCAK207		35	72	46	167	127	48	92	15	19	19	M12	UC207	AK207	1.60
UCAK208		40	80	49.2	181	140	54	100	15	19	19	M12	UC208	AK208	2.07
UCAK209		45	85	52.4	190	146	54	106	15	19	21	M12	UC209	AK209	2.33
UCAK210		50	90	55.6	203	159	57	113	15	19	22	M16	UC210	AK210	2.70
UCAK211		55	100	61.9	232	181	60	125	20	24	25	M16	UC211	AK211	3.67
UCAK212		60	110	68.3	241	190	64	136	20	24	29	M16	UC212	AK212	4.63
UCAK213		65	120	68.3	248	194	70	141	20	29	27	M20	UC213	AK213	6.42
UCAK214		70	125	82.6	294	232	72	160	20	32	29	M20	UC214	AK214	7.18
UCAK215		75	130	84.1	304	241	74	165	22	32	32	M20	UC215	AK215	8.86

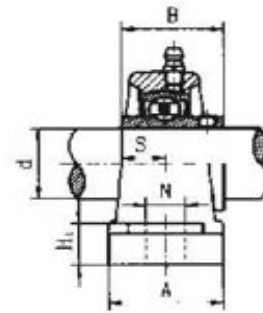
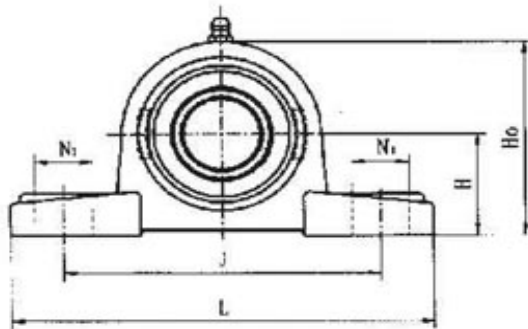
PILLOW BLOCKS



UCPK Set screw type

Unit No.	Shaft Dia.		Dimensions(mm)										Bolt Size	Bearing No.	Housing No.	Mass (kg)	
	d		H	L	J	A	N	N _i	H _i	H ₀	S	B					
	(in.)	(mm)															
UCPK 202		15															
202-10	5/8	17	27	121	89	35	11	14	13	54	11.5	27.4	M10	UC 202			
203																	
203-11	11/16																
UCPK 204-12	3/4																
204		20	31.8	128	98	38	11	14	14	63	12.7	31	M10	UC 204-12	PK 204	0.65	
UCPK 205-14	7/8																
205-15	15/16																
205		25	33.3	140	105	40	11	14	15	66.5	14.3	34	M10	UC 205-14			
205-16	1																
UCPK 206-18	1-1/8																
206		30	39.7	160	121	44	14	19	17	79	15.9	38.1	M12	UC 206-18			
206-19	1-3/16																
206-20	1-1/4																
UCPK 207-20	1-1/4																
207-21	1-5/16																
207-22	1-3/8																
207		35	46	167	127	48	14	19	18	91	17.5	42.9	M12	UC 207-20			
207-23	1-7/16																
UCPK 208-24	1-1/12																
208-25	1-9/16																
208		40	49.2	181	140	52	14	19	19	98	19	49.2	M12	UC 208-24	PK 208	1.88	
UCPK 209-26	1-5/8																
209-27	1-11/16																
209-28	1-3/4																
209		45	52.4	189	146	54	14	19	20	105	19	49.2	M12	UC 209-26			
UCPK 210-30	1-7/8																
210-31	1-15/16																
210		50	55.6	203	159	57	14	19	21	111.5	19	51.6	M12	UC 210-30	PK 210	2.6	
UCPK 211-32	2																
211-34	2-1/8																
211		55	61.9	232	181	60	18	24	23	123	22.2	55.6	M16	UC 211-32			
211-35	2-3/16																
UCPK 212-36	2-1/4																
212		60	68.3	241	191	64	18	24	25	136	25.4	65.1	M16	UC 212-36			
212-38	2-3/8																
212-39	2-7/16																
UCPK 212-40	2-1/2																
213		65	68.3	248	194	70	18	29	27	141	25.4	65.1	M16	UC 212-40	PK 203	5.6	

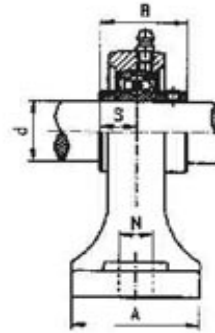
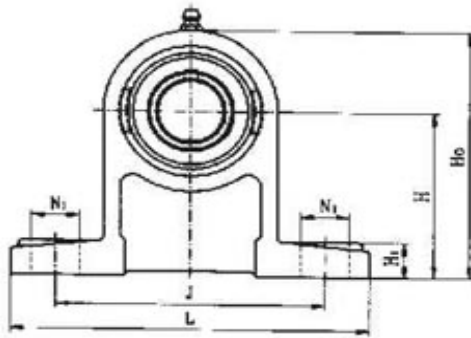
PILLOW BLOCKS



UCPX
Set screw type

Unit No.	Shaft Dia.		Dimensions(mm)										Bolt Size	Bearing No.	Housing No.	Mass (kg)
	d (in.)	d (mm)	H	L	J	A	N	N ₁	H ₁	H ₀	S	B				
UCP X05-14 X05-15 X05 X05-16	7/8 15/16 1	25	44.4	159	119	51	17	20	17	85	15.9	38.1	M14	UCX05-14 X05-15 X05 X05-16	PX 05	1.5
UCP X06-18 X06 X06-19 X06-20	1-1/8 1-3/16 1-1/4	30	47.6	175	127	54	17	20	20	93	17.5	42.9	M14	UCX06-18 X06 X06-19 X06-20	PX 06	2.1
UCP X07-22 X07 X07-23	1-3/8 1-7/16	35	54	203	144	57	17	20	21	105	19	49.2	M14	UCX07-22 X07 X07-23	PX 07	2.7
UCP X08-24 X08	1-1/2	40	58.7	222	156	65	20	23	23	112	19	49.2	M16	UCX08-24 X08	PX 08	3.5
UCP X09-26 X09-27 X09-28 X09	1-5/8 1-11/16 1-3/4	45	58.7	222	156	67	20	23	25	116	19	51.6	M16	UCX09-26 X09-27 X09-28 X09	PX 09	3.7
UCP X10-30 X10-31 X10 X10-32	1-7/8 1-15/16 2	50	63.5	240	171	71	20	23	24	126	22.2	55.6	M16	UCX10-30 X10-31 X10 X10-32	PX 10	4.6
UCP X11-34 X11 X11-35 X11-36	2-1/8 2-3/16 2-1/4	55	69.8	260	184	79	25	28	29	137	25.4	65.1	M20	UCX11-34 X11 X11-35 X11-36	PX 11	6.5
UCP X12 X12-38 X12-39	2-3/8 2-7/16	60	76.2	280	203	81	25	28	31	149	25.4	65.1	M20	UCX12 X12-38 X12-39	PX 12	7.7
UCP X13-40 X13	2-1/2	65	76.2	286	203	83	25	28	33	152	30.2	74.6	M20	UCX13-40 X13	PX 13	8.1
UCP X14-44 X14	2-3/4	70	88.9	320	229	85	27	30	34	170	33.3	77.8	M22	UCX14-44 X14	PX 14	10.2
UCP X15 X15-48	3	75	88.9	330	229	92	27	30	35	175	33.3	82.6	M22	UCX15 X15-48	PX 15	10.8
UCP X16		80	101.6	378	283	99	27	30	37	194	34.1	85.7	M22	UCX16	PX 16	15.3
UCP X17-52 X17	3-1/4	85	101.6	380	283	102	27	30	40	200	39.7	96	M22	UCX17-52 X17	PX 17	16.1
UCP X18-56 X18	3-1/2	90	101.6	381	283	106	27	30	40	206	42.9	104	M22	UCX18-56 X18	PX 18	19.1
UCP X20 X20-64	4	100	127	432	337	120	33	36	45	244	49.2	117.5	M27	UCX20 X20-64	PX 20	30.4

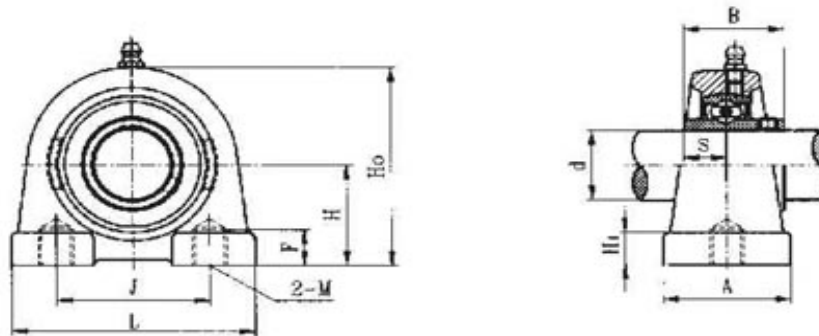
HIGH CENTER HEIGHT PILLOW BLOCKS



UCPH Set screw type

Unit No.	Shaft Dia.		Dimensions(mm)										Bolt Size	Bearing No.	Housing No.	Mass (kg)	
	d (in.)	d (mm)	H	J	L	A	N	N ₁	H ₁	H ₀	S	B					
UCPH 202		15													UC 202		0.78
202-10	5/8	17	70	95	127	38	12	16	13	97	11.5	27.4	M10	UC 202-10	PH 203	0.80	
203																	
203-11	11/16																
UCPH 204-12	3/4	20	70	95	127	40	12	16	13	101	12.7	31	M10	UC 204-12	PH 204	0.94	
204																	
UCPH 205-14	7/8														UC 205-14		
205-15	15/16	25	80	105	140	50	13	19	16	114	14.3	34	M10	UC 205-15	PH 205	1.20	
205																	
205-16	1																
UCPH 206-18	1-1/8	30	90	121	165	50	17	21	18	130	15.9	38.1	M12	UC 206-18	PH 206	1.60	
206																	
206-19	1-3/16																
206-20	1-1/4																
UCPH 207-20	1-1/4														UC 207-20		
207-21	1-5/16	35	95	127	167	60	17	21	19	140	17.5	42.9	M12	UC 207-21	PH 207	2.10	
207-22	1-3/8																
207																	
207-23	1-7/16																
UCPH 208-24	1-1/2	40	100	137	184	66	17	21	20	150	19	49.2	M12	UC 208-24	PH 208	2.70	
208-25	1-9/16																
208																	
UCPH 209-26	1-5/8														UC 209-26		
209-27	1-11/16	45	105	146	190	70	17	21	20	158	19	49.2	M12	UC 209-27	PH 209	3.10	
209-28	1-3/4																
209																	
UCPH 210-30	1-7/8	50	110	159	204	70	19	22	22	165	19	51.6	M16	UC 210-30	PH 210	3.50	
210-31	1-15/16																
210																	
210-32	2																
UCPH 211-32	2	55	120	171	217	75	19	22	23	181	22.2	55.6	M16	UC 211-32	PH 211	4.07	
211-34	2-1/8																
211																	
211-35	2-3/16																
UCPH 212-36	2-1/4	60	130	186	236	80	19	22	24	197	25.4	65.1	M16	UC 212-36	PH 212		
212																	
212-38	2-3/8																
212-39	2-7/16																
UCPH 213-40	2-1/2	65	140	203	258	85	23	28	26	213	25.4	65.1	M20	UC 213-40	PH 213		
213																	
UCPH 214-44	2-3/4	70	150	210	266	90	23	28	27	227	30.2	74.6	M20	UC 214-44	PH 214		
214																	
UCPH 215-47	2-15/16	75	160	217	274	95	23	28	28	240	33.3	77.8	M20	UC 215-47	PH 215		
215																	
215-48	3																
UCPH 216		80	170	232	290	100	24	28	30	256	33.3	82.6	M20	UC 216	PH 216		

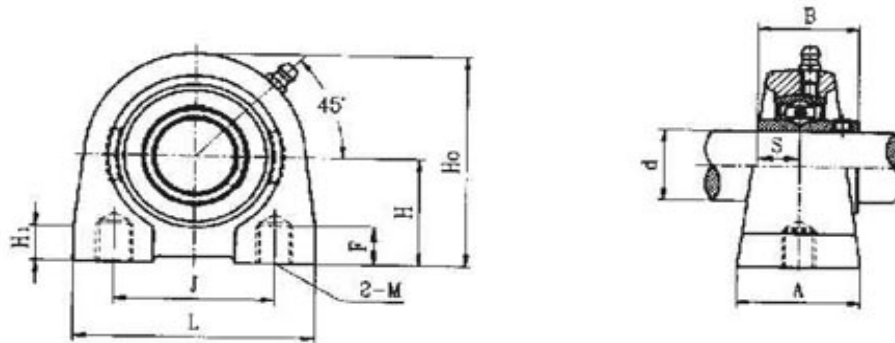
TAPPED-BASE PILLOW BLOCKS



UCPA
Set screw type

Unit No.	Shaft Dia.		Dimensions(mm)										Bearing No.	Housing No.	Mass (kg)			
	d (in.)	d (mm)	H	L	J	A	H ₀	H ₁	S	B	F	M						
UCPA202		15																
202-10	5/8	15	30.2	70	52	36	57	10	11.5	27.4	9	M8	UC 202					
203		17											202-10	PA 203				
203-11	11/16	17											203					
UCPA204-12	3/4	20	30.2	76	52	40	62	11	12.7	31	13	M10X1.5	UC 204-12	PA 204	0.6			
204		20											204					
UCPA205-14	7/8	25	36.5	84	56	38	72	12	14.3	34	15	M10X1.5	UC 205-14					
205-15	15/16	25											205-15	PA 205	0.8			
205	1	25											205					
205-16		25											205-16					
UCPA206-18	1-1/8	30	42.9	94	66	48	84	13	15.9	38.1	18	M14X2	UC 206-18					
206		30											206	PA 206	1.2			
206-19	1-3/16	30											206-19					
206-20	1-1/4	30											206-20					
UCPA207-20	1-1/4	35	47.6	110	80	48	95	13	17.5	42.9	20	M14X2	UC 207-20					
207-21	1-5/16	35											207-21	PA 207	1.7			
207-22	1-3/8	35											207-22					
207		35											207					
207-23	1-7/16	35											207-23					
UCPA208-24	1-1/2	40	49.2	116	84	54	100	13	19	49.2	20	M14X2	UC 208-24					
208-25	1-9/16	40											208-25	PA 208	2.0			
208		40											208					
UCPA209-26	1-5/8	45	54.2	120	90	60	108	13	19	49.2	25	M14X2	UC 209-26					
209-27	1-11/16	45											209-27	PA 209	2.2			
209-28		45											209-28					
209	1-3/4	45											209					
UCPA210-30	1-7/8	50	57.2	130	94	60	116	14	19	51.6	25	M16X2	UC 210-30					
210-31	1-15/16	50											210-31	PA 210	2.8			
210		50											210					
210-32	2	50											210-32					
UCPA211-32	2	55	63.5	140	104	66	125	14	22.2	55.6	25	M16X2	UC 211-32					
211-34	2-1/8	55											211-34	PA 211	3.0			
211		55											211					
211-35	2-3/16	55											211-35					
UCPA212-36	2-1/4	60	69.9	150	114	68	138	15	25.4	65.1	25	M16X2	UC 212-36					
212		60											212	PA 212	4.24			
212-38	2-3/8	60											212-38					
212-39	2-7/16	60											212-39					
UCPA212-40	2-1/2	65	76.2	160	124	70	150	15	25.4	65.1	25	M16X2	UC 212-40					
213		65											213	PA 213	—			

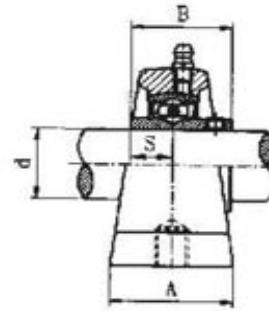
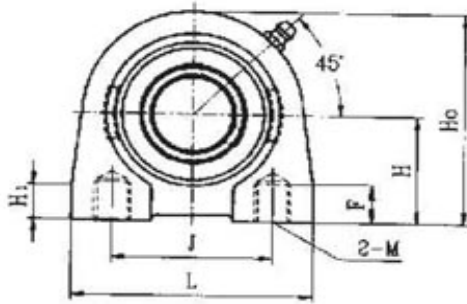
TAPPED-BASE PILLOW BLOCKS



UCPA-A
Set screw type

Unit No.	Shaft Dia.		Dimensions(mm)										Bearing No.	Housing No.	Mass (kg)
	d (in.)	d (mm)	H	L	J	A	H ₁	H	S	B	F	M			
UCPA204-12A 204A	3/4	20	33.3	73	50.8	38	65	12	12.7	31	13	3/8-16NC	UC204-12 204	PA204A	0.60
UCPA205-14A 205-15A 205A 205-16A	7/8 15/16	25	36.5	76.2	50.8	38	71.4	12	14.3	34	13	3/8-16NC	UC205-14 205-15 205 205-16	PA205A	0.8
UCPA206-18A 206A 206-19A 206-20A	1-1/8 1-3/16 1-1/4	30	42.9	101.6	76.2	38	85.7	15	15.9	38.1	16	7/16-16NC	UC206-18 206 206-19 206-20	PA206A	1.2
UCPA207-20A 207-21A 207-22A 207A 207-23A	1-1/4 1-5/16 1-3/8 1-7/16	35	47.6	108	82.5	47.6	95.2	16	17.5	42.9	19	1/2-13NC	UC207-20 207-21 207-22 207 207-23	PA207A	1.7
UCPA208-24A 208-25A 208A	1-1/12 1-9/16	40	49.2	117.5	88.9	47.6	100	16	19	49.2	19	1/2-13NC	UC208-24 208-25 208	PA208A	2.0
UCPA209-26A 209-27A 209-28A 209A	1-5/8 1-11/16 1-3/4	45	53.98	127	95.25	50.8	108	18	19	49.2	19	1/2-13NC	UC209-26 209-27 209-28 209	PA209A	2.2
UCPA210-30A 210-31A 210A 210-32A	1-7/8 1-15/16 2	50	57.15	139.7	101.6	50.8	117.5	18	19	51.6	25	5/8-11NC	UC210-30 210-31 210 210-32	PA210A	2.8

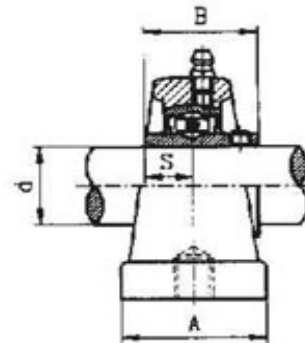
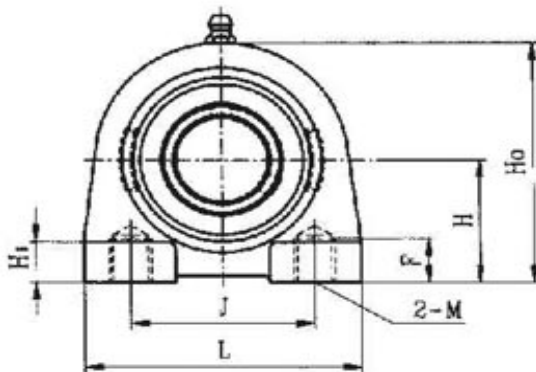
TAPPED-BASE PILLOW BLOCKS



UCPW Set screw type

Unit No.	Shaft Dia.		Dimensions(mm)								Bearing No.	Housing No.	Mass (kg)	
	d		Da	H	L	J	A	H _o	H _i	B				F
	(in.)	(mm)												
UCPW201		12	47	33.3	65	50.8	32	64	8	17	13	UC201	PW201	0.49
UCPW202		15	47	33.3	65	50.8	32	64	8	17	13	UC202	PW202	0.5
UCPW203		17	47	33.3	65	50.8	32	64	8	17	13	UC203	PW203	0.49
UCPW204		20	47	33.3	65	50.8	32	64	11	17	13	UC204	PW204	0.55
UCPW205		25	52	36.5	70	50.8	36	70	12	17	13	UC205	PW205	0.61
UCPW206		30	62	42.9	98	76.2	38	82	12	19	16	UC206	PW206	1.18
UCPW207		35	72	47.6	103	82.6	45	93	12	20	19	UC207	PW207	1.37
UCPW208		40	80	49.2	116	88.9	47	99	12	21	19	UC208	PW208	1.89
UCPW209		45	85	53.9	120	95.3	48	107	12	22	19	UC209	PW209	2.20
UCPW210		50	90	57.2	135	101.6	54	115	14	23	22	UC210	PW210	2.7

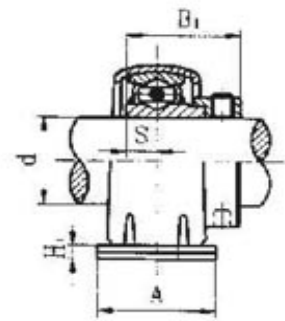
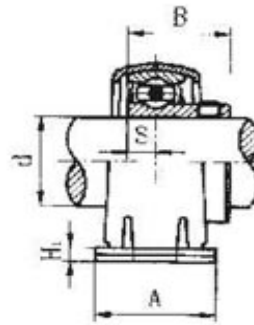
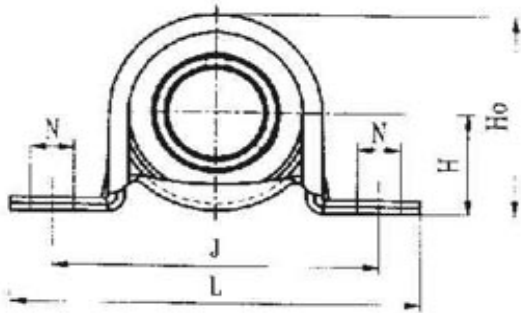
TAPPED-BASE PILLOW BLOCKS



UCPG
Set screw type

Unit No.	Shaft Dia.		Dimensions(mm)										Bearing No.	Housing No.	Mass (kg)
	d		H	L	J	A	H_o	H_1	S	B	F	M			
	(in.)	(mm)													
UCPG204-12 204	3/4	20	33.3	70	49	38	64	14	12.7	31	13	M8	UC204-12 204	PG 204	0.60
UCPG205-14 205-15 205 205-16	7/8 15/16 1	25	36.5	75	50	38	70	15	14.3	34	15	M10	UC205-14 205-15 205 205-16	PG 205	0.8
UCPG206-18 206 206-19 206-20	1-1/8 1-3/16 1-1/4	30	42.9	85	60	48	83	17	15.9	38.1	15	M10	UC206-18 206 206-19 206-20	PG 206	1.2
UCPG207-20 207-21 207-22 207 207-23	1-1/4 1-5/16 1-3/8 1-7/16	35	47.6	100	68	48	93	20	17.5	42.9	19	M12	UC207-20 207-21 207-22 207 207-23	PG 207	1.7
UCPG208-24 208-25 208	1-1/12 1-9/16	40	49.2	110	78	54	98	20	19	49.2	19	M12	UC208-24 208-25 208	PG 208	2.0

PRESSED STEEL HOUSING PILLOW BLOKS



SBPP

Set screw type

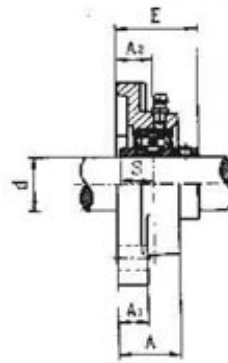
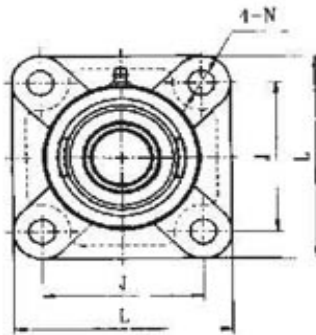
SAPP

Eccentric locking collar type

Unit No.	Shaft Dia.		Dimensions(mm)									Bolt Size	Bearing No.	Housing No.	Mass (kg)
	d (in.)	d (mm)	H	L	J	A	N	H ₁	H _o	S	B				
SBPP201 201-8 202 202-10 203 203-11	1/2 5/8 11/16	12 15 17	22.2	68	86	25	9.5	3	43.5	6	22	M8	SB 201 201-8 202 202-10 203 203-11	PP203	0.15
SBPP204-12 204	3/4	20	25.4	76	98	32	9.5	3	50.2	7	25	M8	SB 204-12 204	PP204	0.20
SBPP205-14 205-15 205 205-16	7/8 15/16 1	25	28.6	86	108	32	11.5	4	56.4	7.5	27	M10	SB 205-14 205-15 205 205-16	PP205	0.28
SBPP206-18 206 206-19 206-20	1-1/8 1-3/16 1-1/4	30	33.3	95	117	38	11.5	4	66.1	8	29	M10	SB 206-18 206 206-19 206-20	PP206	0.42
SBPP207-20 207-21 207-22 207 207-23	1-1/4 1-5/16 1-3/8 1-7/16	35	39.7	106	129	42	11.5	4	77.7	9	32	M10	SB 207-20 207-21 207-22 207 207-23	PP207	0.55

Unit No.	Shaft Dia.		Dimensions(mm)									Bolt Size	Bearing No.	Housing No.	Mass (kg)
	d (in.)	d (mm)	H	L	J	A	N	H ₁	H _o	S	B ₁				
SAPP 201 201-8 202 202-10 203 203-11	1/2 5/8 11/16	12 15 17	22.2	68	86	25	9.5	3	43.5	6.5	28.6	M8	SA 201 201-8 202 202-10 203 203-11	PP203	0.20
SAPP 204-12 204	3/4	20	25.4	76	98	32	9.5	3	50.2	7	29.5	M8	SA 204-12 204	PP204	0.23
SAPP 205-14 205-15 205 205-16	7/8 15/16 1	25	28.6	86	108	32	11.5	4	56.4	7.5	30.5	M10	SA 205-14 205-15 205 205-16	PP205	0.32
SAPP 206-18 206 206-19 206-20	1-1/8 1-3/16 1-1/4	30	33.3	95	117	38	11.5	4	66.1	8	33.9	M10	SA 206-18 206 206-19 206-20	PP206	0.47
SAPP 207-20 207-21 207-22 207 207-23	1-1/4 1-5/16 1-3/8 1-7/16	35	39.7	106	129	42	11.5	4	77.7	9	37.5	M10	SA 207-20 207-21 207-22 207 207-23	PP207	0.60

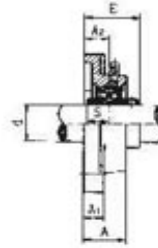
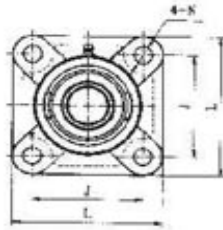
SQUARE FLANGE UNITS



UCF
Set screw type

Unit No.	Shaft Dia.		Dimensions(mm)								Bolt Size	Bearing No.	Housing No.	Mass (kg)	Available N
	d (in.)	d (mm)	L	J	A ₂	A ₁	A	E	N	S					
UCF 202 202-10 203 203-11	5/8 11/16	15 17	76	54	15	11	25.5	30.9	11.5	11.5	M10	UC 202 202-10 203 203-11	F203	0.57 0.50	---
UCF 204-12 204	3/4	20	86	64	15	11	25.5	33.3	11.5	12.7	M10	UC 204-12 204	F204	0.61	12
UCF 205-14 205-15 205 205-16	7/8 15/16 1	25	95	70	16	13	27	35.7	11.5	14.3	M10	UC 205-14 205-15 205 205-16	F205	0.80	12
UCF 206-18 206 206-19 206-20	1-1/8 1-3/16 1-1/4	30	108	83	18	13	31	40.2	11.5	15.9	M10	UC 206-18 206 206-19 206-20	F206	1.07	12
UCF 207-20 207-21 207-22 207 207-23	1-1/4 1-5/16 1-3/8 1-7/16	35	117	92	19	15	34	44.4	14	17.5	M12	UC 207-20 207-21 207-22 207 207-23	F207	1.40	---
UCF 208-24 208-25 208	1-1/2 1-9/16	40	130	102	21	15	36	51.2	14	19	M12	UC 208-24 208-25 208	F208	1.80	16
UCF 209-26 209-27 209-28 209	1-5/8 1-11/16 1-3/4	45	137	105	22	16	38	52.2	16	19	M14	UC 209-26 209-27 209-28 209	F209	2.20	---
UCF 210-30 210-31 210	1-7/8 1-15/16	50	143	111	22	16	40	54.6	18	19	M16	UC 210-30 210-31 210	F210	2.40	16
UCF 211-32 211-34 211 211-35	2 2-1/8 2-3/16	55	162	130	25	18	43	58.4	18	22.2	M16	UC 211-32 211-34 211 211-35	F211	3.50	19
UCF 212-36 212 212-38 212-39	2-1/4 2-3/8 2-7/16	60	175	143	29	18	48	68.7	18	25.4	M16	UC 212-36 212 212-38 212-39	F212	4.20	19
UCF 213-40 213	2-1/2	65	187	149	30	22	50	69.7	18	25.4	M16	UC 213-40 213	F213	5.30	19
UCF 214-44 214	2-3/4	70	193	152	31	22	54	75.4	18	30.2	M16	UC 214-44 214	F214	5.90	19
UCF 215-47 215 215-48	2-15/16 3	75	200	159	34	22	56	78.5	18	33.3	M16	UC 215-47 215 215-48	F215	6.30	19
UCF 216		80	208	165	34	22	57	83.3	22	33.3	M20	UC 216	F216	7.30	23
UCF 217-52 217	3-1/4	85	220	175	36	24	63	87.6	23	34.1	M20	UC 217-52 217	F217	8.90	
UCF 218-56 218	3-1/2	90	235	187	40	25	68	96.3	23	39.7	M20	UC 218-56 218	F218	11.60	

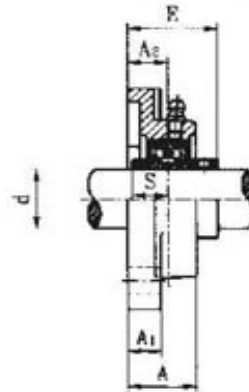
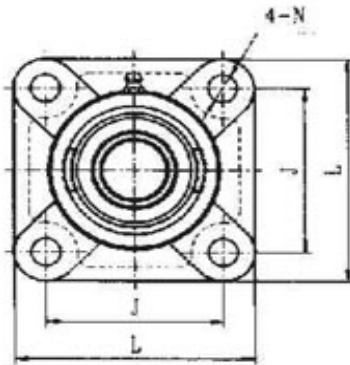
SQUARE FLANGE UNITS



UCF
Set screw type

Unit No.	Shaft Dia.		Dimensions(mm)									Bolt Size	Bearing No.	Housing No.	Mass (kg)
	d (in.)	(mm)	L	J	A ₂	A ₁	A	E	N	S					
UCF 305-14 305-15 305 305-16	7/8 15/16 1	25	108	80	16	13	29	39	16	15	M 14	UC 305-14 305-15 305 305-16	F305	1.2	
UCF 306-18 306 306-19	1-1/8 1-3/16	30	125	95	18	15	32	44	16	17	M 14	UC 306-18 306 306-19	F306	1.8	
UCF 307-20 307-21 307-22 307	1-1/4 1-5/16 1-3/8	35	135	100	20	16	36	49	19	19	M 16	UC 307-20 307-21 307-22 307	F307	2.2	
UCF 308-24 308-25 308	1-1/2 1-9/16	40	150	112	23	17	40	56	19	19	M 16	UC 308-24 308-25 308	F308	2.9	
UCF 309-26 309-27 309-28 309	1-5/8 1-11/16 1-3/4	45	160	125	25	18	44	60	19	22	M 16	UC 309-26 309-27 309-28 309	F309	3.5	
UCF 310-30 310-31 310	1-7/8 1-15/16	50	175	132	28	20	48	67	23	22	M 20	UC 310-30 310-31 310	F310	4.8	
UCF 311-32 311-34 311 311-35	2 2-1/8 2-3/16	55	185	140	30	20	52	71	23	25	M 20	UC 311-32 311-34 311 311-35	F311	5.6	
UCF 312-36 312 312-38 312-39	2-1/4 2-3/8 2-7/16	60	193	150	33	22	56	78	23	26	M 20	UC 312-36 312 312-38 312-39	F312	6.7	
UCF 313-40 313	2-1/2	65	208	166	33	22	58	78	23	30	M 20	UC 313-40 313	F313	7.8	
UCF 314-44 314	2-3/4	70	226	178	36	25	61	81	25	33	M 22	UC 314-44 314	F314	10.1	
UCF 315 315-48	3	75	236	184	39	25	66	89	25	32	M 22	UC 315 315-48	F315	11.1	
UCF 316		80	250	196	38	27	68	90	31	34	M 27	UC 316	F316	12.8	
UCF 317-52 317	3-1/4	85	260	204	44	27	74	100	31	40	M 27	UC 317-52 317	F317	15.4	
UCF 318-56 318	3-1/2	90	280	216	44	30	76	100	35	40	M 30	UC 318-56 318	F318	19.0	
UCF 319 319-60	3-3/4	95	290	228	59	30	94	121	35	41	M 30	UC 319 319-60	F319	20.6	
UCF 320 320-64	4	100	310	242	59	32	94	125	38	42	M 33	UC 320 320-64	F320	25.7	
UCF 321		105	310	242	59	32	94	127	38	44	M 33	UC 321	F321		
UCF 322		110	340	266	60	35	96	131	41	46	M 36	UC 322	F322		
UCF 324		120	370	290	65	40	110	140	41	51	M 36	UC 324	F324		
UCF 326		130	410	320	65	45	115	146	41	54	M 36	UC 326	F326		
UCF 328		140	450	350	75	55	125	161	41	59	M 36	UC 328	F328		

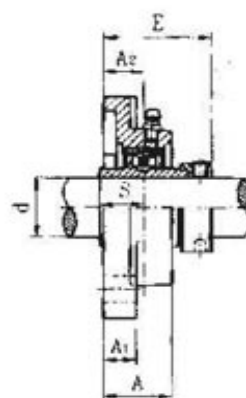
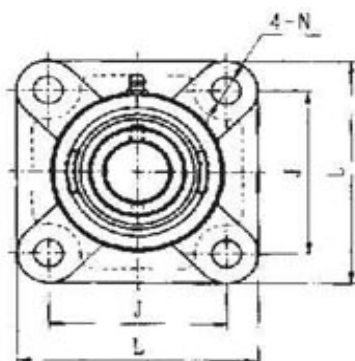
SQUARE FLANGE UNITS



UCFX Set screw type

Unit No.	Shaft Dia.		Dimensions(mm)								Bolt Size	Bearing No.	Housing No.	Mass (kg)
	(in.)	(mm)	L	J	A ₂	A ₁	A	E	N	S				
UCFX05-14 X05-15 X05 X05-16	7/8 15/16 1	25	108	82.5	18	13	30	40.2	11.5	15.9	M10	UC X05-14 X05-15 X05 X05-16	FX05	1.2
UCFX06-18 X06 X06-19 X06-20	1-1/8 1-3/16 1-1/4	30	117	92	19	14	34	44.4	13	17.5	M12	UC X06-18 X06 X06-19 X06-20	FX06	1.6
UCFX07-22 X07 X07-23	1-3/8 1-7/16	35	130	101.5	21	14	38	51.2	13	19	M12	UC X07-22 X07 X07-23	FX07	2.0
UCFX08-24 X08-25 X08	1-1/2 1-9/16	40	137	105	22	14	40	52.2	15	19	M14	UC X08-24 X08-25 X08	FX08	2.4
UCFX09-26 X09-27 X09-28 X09	1-5/8 1-11/16 1-3/4	45	143	111	23	14	40	55.6	15	19	M14	UC X09-26 X09-27 X09-28 X09	FX09	2.7
UCFX10-30 X10-31 X10 X10-32	1-7/8 1-15/16 2	50	162	130	26	20	44	59.4	17	22.2	M16	UC X10-30 X10-31 X10 X10-32	FX10	3.7
UCFX11-34 X11 X11-35 X11-36	2-1/8 2-3/16 2-1/4	55	175	143	29	20	49	68.7	17	25.4	M16	UC X11-34 X11 X11-35 X11-36	FX11	4.9
UCFX12 X12-38 X12-39	2-3/8 2-7/16	60	187	149	34	21	57	73.7	17	25.4	M16	UC X12 X12-38 X12-39	FX12	5.7
UCFX13-40 X13	2-1/2	65	187	149	34	21	59	78.4	17	30.2	M16	UC X13-40 X13	FX13	6.3
UCFX14-44 X14	2-3/4	70	197	152	37	24	60	81.5	20	33.3	M18	UC X14-44 X14	FX14	7.0
UCFX15 X15-48	3	75	197	152	40	24	68	89.3	20	33.3	M18	UC X15 X15-48	FX15	8.4
UCFX16		80	214	171	40	24	70	91.6	20	34.1	M18	UC X16	FX16	9.4
UCFX17-52 X17	3-1/4	85	214	171	40	24	70	96.3	20	39.7	M18	UC X17-52 X17	FX17	10.8
UCFX18-56 X18	3-1/2	90	214	171	45	24	76	106.1	23	42.9	M20	UC X18-56 X18	FX18	11.9
UCFX20 X20-64	4	100	268	211	59	31	97	127.3	31	49.2	M27	UC X20 X20-64	FX20	19.4

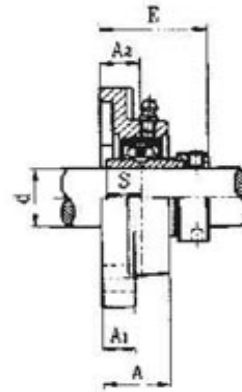
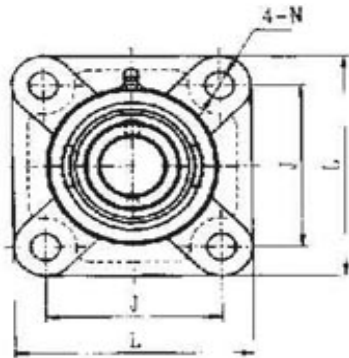
SQUARE FLANGE UNITS



NAF
Eccentric locking collar type

Unit No.	Shaft Dia.		Dimensions(mm)								Bolt Size	Bearing No.	Housing No.	Mass (kg)	Available N
	d (in.)	d (mm)	L	J	A ₂	A ₁	A	E	N	S					
NAF 202 202-10 203 203-11	5/8 11/16	15 17	76	54	15	11	25.5	38.4	11.5	13.9	M10	NA 202 202-10 203 203-11	F203	0.5	—
NAF 204-12 204	3/4	20	86	64	15	11	25.5	41.5	11.5	17	M10	NA 204-12 204	F204	0.63	12
NAF 205-14 205-15 205 205-16	7/8 15/16 1	25	95	70	16	13	27	42.9	11.5	17.4	M10	NA 205-14 205-15 205 205-16	F205	0.80	12
NAF 206-18 206 206-19 206-20	1-1/8 1-3/16 1-1/4	30	108	83	18	13	31	48.1	11.5	18.2	M10	NA 206-18 206 206-19 206-20	F206	1.20	12
NAF 207-20 207-21 207-22 207 207-23	1-1/4 1-5/16 1-3/8 1-7/16	35	117	92	19	15	34	51.3	14	18.8	M12	NA 207-20 207-21 207-22 207 207-23	F207	1.60	—
NAF 208-24 208-25 208	1-1/2 1-9/16	40	130	102	21	15	36	55.9	14	21.4	M12	NA 208-24 208-25 208	F208	1.90	16
NAF 209-26 209-27 209-28 209	1-5/8 1-11/16 1-3/4	45	137	105	22	16	38	56.9	16	21.4	M14	NA 209-26 209-27 209-28 209	F209	2.30	—
NAF 210-30 210-31 210	1-7/8 1-15/16	50	143	111	22	16	40	60.1	18	24.6	M16	NA 210-30 210-31 210	F210	2.60	16
NAF 211-32 212-34 212 212-35	2 2-1/8 2-3/16	55	162	130	25	18	43	68.6	18	27.7	M16	NA 211-32 212-34 212 212-35	F211	3.80	19
NAF 212-36 212 212-38 212-39	2-1/4 2-3/8 2-7/16	60	175	143	29	18	48	75.8	18	30.9	M16	NA 212-36 212 212-38 212-39	F212	4.80	19
NAF 213-40 213	2-1/2	65	187	149	30	22	50	81.6	18	34.1	M16	NA 213-40 213	F213	6.0	19
NAF 214-44 214	2-3/4	70	193	152	31	22	54	82.6	18	34.1	M16	NA 214-44 214	F214	6.30	19
NAF 215 215-48	3	75	200	159	34	22	56	88.8	18	37.3	M16	NA 215 215-48	F215	7.20	19
NAF 216		80	208	165	34	22	57	91.9	22	37.3	M20	NA 216	F216	7.23	23

SQUARE FLANGE UNITS

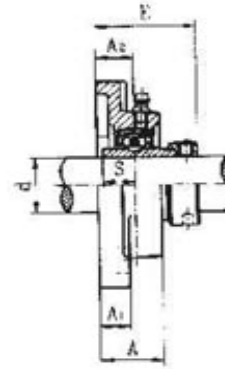
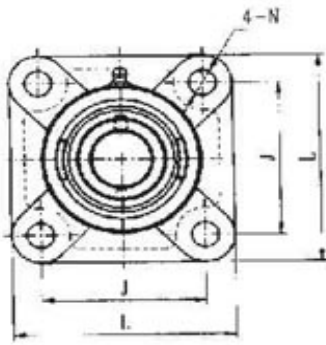


NAF

Eccentric locking collar type

Unit No.	Shaft Dia.		Dimensions(mm)									Bolt Size	Bearing No.	Housing No.	Mass (kg)
	d		L	J	A ₂	A ₁	A	E	N	S					
	(in.)	(mm)													
NAF 305-14 305-15 305 305-16	7/8 15/16 1	25	108	80	16	13	29	46.1	16	16.7	M14	NA 305-14 305-15 305 305-16	F305	1.2	
NAF 306-18 306 306-19	1-1/8 1-3/16	30	125	95	18	15	32	50.5	16	17.5	M14	NA 306-18 306 306-19	F306	1.7	
NAF 307-20 307-21 307-22 307	1-1/4 1-5/16 1-3/8	35	135	100	20	16	36	53.3	19	18.3	M16	NA 307-20 307-21 307-22 307	F307	2.0	
NAF 308-24 308-25 308	1-1/2 1-9/16	40	150	112	23	17	40	60.3	19	19.8	M16	NA 308-24 308-25 308	F308	2.8	
NAF 309-26 309-27 309-28 309	1-5/8 1-11/16 1-3/4	45	160	125	25	18	44	63.9	19	19.8	M16	NA 309-26 309-27 309-28 309	F309	3.6	
NAF 310-30 310-31 310	1-7/8 1-15/16	50	175	132	28	20	48	70	23	24.6	M20	NA 310-30 310-31 310	F310	4.7	
NAF 311-32 311-34 311 311-35	2 2-1/8 2-3/16	55	185	140	30	20	52	75.2	23	27.8	M20	NA 311-32 311-34 311 311-35	F311	5.7	
NAF 312-36 312 312-38 312-39	2-1/4 2-3/8 2-7/16	60	193	150	33	22	56	82.6	23	29.5	M20	NA 312-36 312 312-38 312-39	F312	6.8	
NAF 313-40 313	2-1/2	65	208	166	33	22	58	86.2	23	32.5	M20	NA 313-40 313	F313	8.3	
NAF 314-44 314	2-3/4	70	226	178	36	25	61	93.95	25	34.15	M22	NA 314-44 314	F314	10.7	
NAF 315 315-48	3	75	236	184	39	25	66	101.7	25	37.3	M22	NA 315 315-48	F315	12.24	

SQUARE FLANGE UNITS

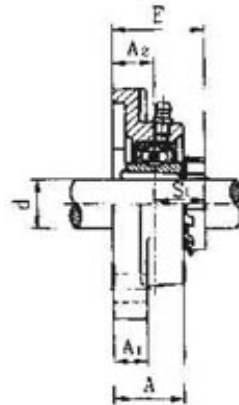
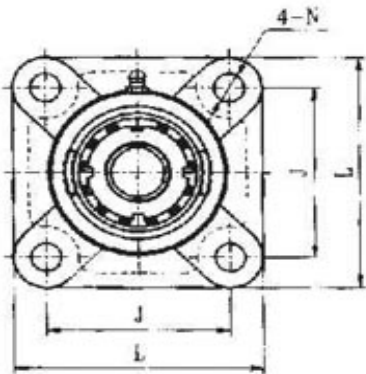


NAFU

Eccentric locking collar type

Unit No.	Shaft Dia.		Dimensions(mm)								Bolt Size	Bearing No.	Housing No.	Mass (kg)	
	(in.)	d (mm)	L	J	A ₂	A ₁	A	E	N	S					
NAFU 202		15													
202-10	5/8	17	76	54	15	11	25.5	38.4	11.5	13.9	M10	NA 202-10	FU203	0.66	
203												203			
203-11	11/16											203-11			
NAFU 204-12	3/4	20	86	63.5	19	15	29.5	45.5	11.5	17	M10	NA 204-12	FU204	0.77	
204												204			
NAFU 205-14	7/8											NA 205-14	FU205	0.95	
205-15	15/16	25	93	70	19	15	30	45.9	11.5	17.4	M10	205-15			
205												205			
205-16	1											205-16			
NAFU 206-18	1-1/8	30	106	82.5	20	16	32.5	50.1	11.5	18.2	M10	NA 206-18	FU206	1.32	
206												206			
206-19	1-3/16											206-19			
206-20	1-1/4											206-20			
NAFU 207-20	1-1/4											NA 207-20	FU207	1.77	
207-21	1-5/16	35	116	92	21	17	35	53.3	14	18.8	M12	207-21			
207-22	1-3/8											207-22			
207												207			
207-23	1-7/16											207-23			
NAFU 208-24	1-1/2											NA 208-24	FU208	2.22	
208-25	1-9/16	40	129	101.5	24	17	39	58.9	14	21.4	M12	208-25			
208												208			
NAFU 209-26	1-5/8											NA 209-26	FU209	2.63	
209-27	1-11/16	45	135	105	24	18	40	58.9	16	21.4	M14	209-27			
209-28	1-3/4											209-28			
209												209			
NAFU 210-30	1-7/8											NA 210-30	FU210	2.95	
210-31	1-15/16	50	143	111	28	20	45	66.1	18	24.6	M16	210-31			
210												210			
NAFU 211-32	2											NA 211-32	FU211	4.10	
211-34	2-1/8	55	162	130	31	21	49	74.6	18	27.7	M16	211-34			
211												211			
211-35	2-3/16											211-35			
NAFU 212-36	2-1/4	60	175	143	34	22	53.5	80.8	18	30.9	M16	NA 212-36	FU212	4.86	
212												212			
212-38	2-3/8											212-38			
212-39	2-7/16											212-39			
NAFU 213-40	2-1/2	65	184	149	38	22	58	89.6	18	34.1	M16	NA 213-40	FU213	5.90	
213												213			
NAFU 214-44	2-3/4	70	188	152	38	23	60	89.6	18	34.1	M16	NA 214-44	FU214	6.45	
214												214			
NAFU 215		75	200	159	41	24	62	95.8	18	37.3	M16	NA 215	FU215	7.55	
215-48	3											215-48			
NAFU 216		80	207	165	42	25	63	99.9	22	37.3	M20	NA 216	FU216	8.65	

SQUARE FLANGE UNITS

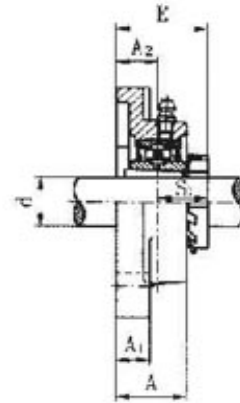
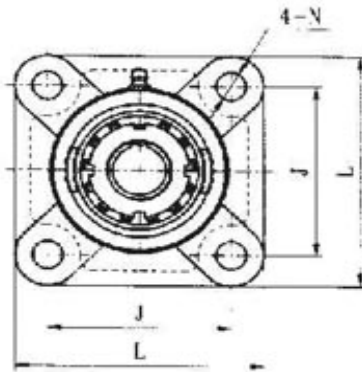


UKF+H

Tapered bore, adapter type

Unit No.	Shaft Dia.		Dimensions(mm)								Bolt Size	Bearing No.	Housing No.	Adapter No.	Mass (kg)	Available N
	d (in.)	d (mm)	L	J	A ₂	A ₁	A	E	N	S						
UKF 205+HE2305 205+H2305	3/4	20	95	70	16	13	27	34.5	11.5	18.5	M10	UK205	F205	HE2305 H2305	0.84	12
UKF 206+HS2306 206+HA2306 206+H2306 206+HE2306	7/8 15/16 1	25	108	83	18	13	31	38.5	11.5	20.5	M10	UK206	F206	HS2306 HA2306 H2306 HE2306	1.1	12
UKF 207+HS2307 207+H2307 207+HA2307	1-1/8 1-3/16	30	117	92	19	15	34	41.5	14	22.5	M12	UK207	F207	HS2307 H2307 HA2307	1.6	—
UKF 208+HE2308 208+HS2308 208+H2308	1-1/4 1-3/8	35	130	102	21	15	36	45.5	14	24.5	M12	UK208	F208	HE2308 HS2308 H2308	1.9	16
UKF 209+HA2309 209+HE2309 209+H2309	1-7/16 1-1/2	40	137	105	22	16	38	48	16	26	M14	UK209	F209	HA2309 HE2309 H2309	2.3	—
UKF 210+HS2310 210+HA2310 210+HE2310 210+H2310	1-5/8 1-11/16 1-3/4	45	143	111	22	16	40	49.5	18	27.5	M16	UK210	F210	HS2310 HA2310 HE2310 H2310	2.6	16
UKF 211+HS2311 211+HA2311 211+H2311 211+HE2311	1-7/8 1-11/16 2	50	162	130	25	18	43	53.5	18	28.5	M16	UK211	F211	HS2311 HA2311 H2311 HE2311	3.4	19
UKF 212+HS2312 212+H2312	2-1/8	55	175	143	29	18	48	60	18	31	M16	UK212	F212	HS2312 H2312	4.1	19
UKF 213+HA2312 213+HE2312 213+H2312 213+HS2312	2-3/16 2-1/4 2-3/8	60	187	149	30	22	50	62	18	32	M16	UK213	F213	HA2313 HE2313 H2313 HS2313	5.5	19
UKF 215+HA2315 215+HE2315 215+H2315	2-7/16 2-1/2	65	200	159	34	22	56	69.5	18	35.5	M16	UK215	F215	HA2315 HE2315 H2315	6.7	19
UKF 216+HA2316 216+HE2316 216+H2316	2-11/16 2-3/4	70	208	165	34	22	57	73	22	39	M20	UK216	F216	HA2316 HE2316 H2316	7.5	23

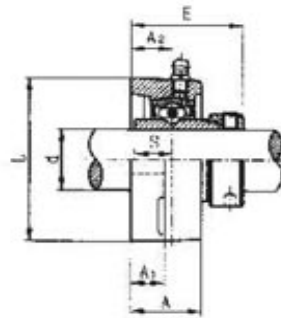
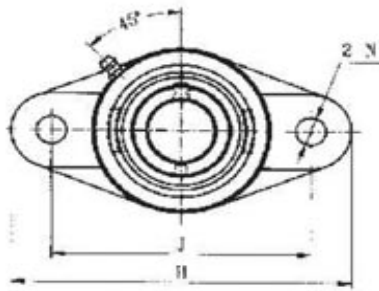
SQUARE FLANGE UNITS



UKF+H Tapered bore, adapter type

Unit No.	Shaft Dia.		Dimensions(mm)								Bolt Size	Bearing No.	Housing No.	Adapter No.	Mass (kg)
	d		L	J	A ₂	A ₁	A	E	N	S					
	(in.)	(mm)													
UKF305+HE2305 305+H2305	3/4	20	108	80	16	13	29	37.5	16	21.5	M14	UK305	F305	HE2305 H2305	1.2
UKF306+HS2306 306+HA2306 306+H2306 306+HE2306	7/8 15/16 1	25	125	95	18	15	32	41	16	23	M14	UK306	F306	HS2306 HA2306 H2306 HE2306	1.8
UKF307+HE2307 307+H2307 307+HA2307	1-1/8 1-3/16	30	135	100	20	16	36	45.5	19	25.5	M16	UK307	F307	HE2307 H2307 HA2307	2.2
UKF308+HE2308 308+HS2308 308+H2308	1-1/4 1-3/8	35	150	112	23	17	40	50.5	19	27.5	M16	UK308	F308	HE2308 HS2308 H2308	2.9
UKF309+HA2309 309+HE2309 309+H2309	1-7/16 1-1/2	40	160	125	25	18	44	55	19	30	M16	UK309	F309	HA2309 HE2309 H2309	3.5
UKF310+HS2310 310+HA2310 310+HE2310 310+H2310	1-5/8 1-11/16 1-3/4	45	175	132	28	20	48	60	23	32	M20	UK 310	F310	HS2310 HA2310 HE2310 H2310	4.8
UKF311+HS2311 311+HA2311 311+H2311 311+HE2311	1-7/8 1-15/16 2	50	185	140	30	20	52	63.5	23	33.5	M20	UK 311	F311	HS2311 HA2311 H2311 HE2311	5.6
UKF312+HS2312 312+H2312	2-1-8	55	193	150	33	22	56	69.5	23	36.5	M20	UK 312	F312	HS2312 H2312	6.7
UKF313+HA2313 313+HE2313 313+H2313 313+HS2313	2-3/16 2-1/4 2-3/8	60	208	166	33	22	58	71.5	23	38.5	M20	UK 313	F313	HA2313 HE2313 H2313 HS2313	7.8

OVAL FLANGE UNITS

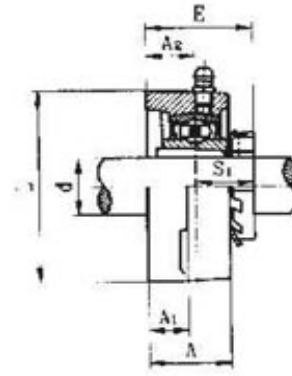
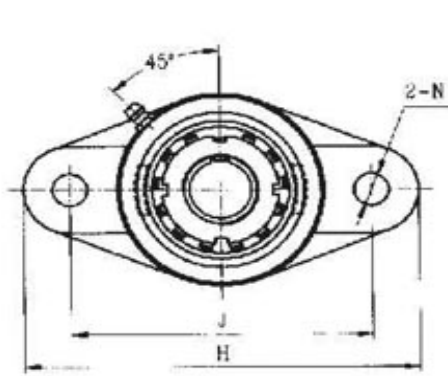


UCFT

Eccentric locking collar type

Unit No.	Shaft Dia.		Dimensions(mm)								Bolt Size	Bearing No.	Housing No.	Mass (kg)
	d		Da	H	J	L	A ₂	A	N	S				
	(in.)	(mm)												
UCFT201		12	40	99	76.2	60	11	24.6	10.5		M10	UC201	FT201	0.39
UCFT202		15	40	99	76.2	60	11	24.6	10.5	11.5	M10	UC202	FT202	0.40
UCFT203		17	40	99	76.2	60	11	24.6	10.5	11.5	M10	UC203	FT203	0.39
UCFT204		20	47	112	89.7	60	11	24.6	10.5	12.7	M10	UC204	FT204	0.49
UCFT205		25	52	124	98.8	70	13	27	12.5	14.3	M10	UC205	FT205	0.68
UCFT206		30	62	141	116.7	83	13	30	12.5	15.9	M12	UC206	FT206	0.87
UCFT207		35	72	156	130.2	95	14	34	14	17.5	M12	UC207	FT207	1.32
UCFT208		40	80	171	143.7	105	14	38	14	19	M12	UC208	FT208	1.54
UCFT209		45	85	179	148.4	111	14	40	16	19	M12	UC209	FT209	1.73
UCFT210		50	90	189	157.2	116	14	40	16	19	M16	UC210	FT210	2.30
UCFT211		55	100	216	184.2	133	21	44	18	22.2	M16	UC211	FT211	2.77

OVAL FLANGE UNITS

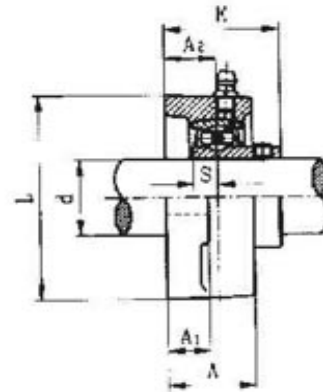
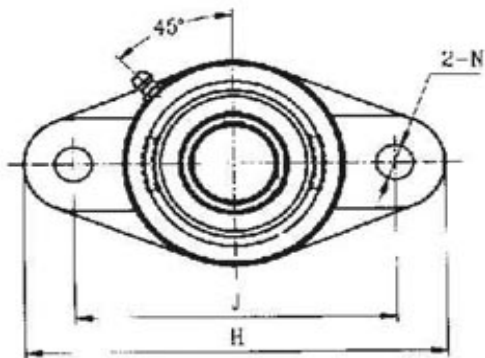


UKFL+H

Tapered bore, adapter type

Unit No.	Shaft Dia.		Dimensions(mm)									Bolt Size	Bearing No.	Housing No.	Adapter No.	Mass (kg)	Available N
	d (in.)	d (mm)	H	J	L	A ₂	A ₁	A	E	N	S ₁						
UKFL 205+HE2305 205+H2305	3/4	20	130	99	68	16	13	27	34.5	11.5	18.5	M10	UK205	FL205	HE2305 H2305	0.6	16
UKFL 206+HS2306 206+HA2306 206+H2306 206+HE2306	7/8 15/16	25	148	117	80	18	13	31	38.5	11.5	20.5	M10	UK206	FL206	H2306 HA2306 H2306 HE2306	0.96	16
UKFL 207+HS2307 207+H2307 207+HA2307	1-1/8 1-3/16	30	161	130	90	19	14	34	41.5	14	22.5	M12	UK207	FL207	HS2307 H2307 HA2307	1.3	16
UKFL 208+HE2308 208+HS2308 208+H2308	1-1/4 1-3/8	35	175	144	100	21	14	36	45.5	14	24.5	M12	UK208	FL208	HE2308 HS2308 H2308	1.6	16
UKFL 209+HA2309 209+HE2309 209+H2309	1-7/16 1-1/2	40	188	148	108	22	16	38	48	18	26	M16	UK209	FL209	HA2309 HE2309 H2309	2.0	19
UKFL 210+HS2310 210+HA2310 210+HE2310 210+H2310	1-5/8 1-11/16 1-3/4	45	197	157	115	22	16	40	49.5	18	27.5	M16	UK210	FL210	HS2310 HA2310 HE2310 H2310	2.3	19
UKFL 211+HS2311 211+HA2311 211+H2311 211+HE2311	1-7/8 1-15/16	50	224	184	130	25	18	43	53.5	18	28.5	M16	UK211	FL211	HS2311 HA2311 H2311 HE2311	3.3	19
UKFL 212+HS2312 212+H2312	2-1/8	55	250	202	140	29	18	48	60	18	31	M16	UK212	FL212	HS2312 H2312	4.0	23
UKFL 213+HA2313 213+HE2313 213+H2313 213+HS2313	2-3/16 2-1/4	60	258	210	155	30	20	50	62	23	32	M20	UK213	FL213	HA2313 HE2313 H2313 HS2313	5.1	—
UKFL 215+HA2315 215+HE2315 215+H2315	2-7/16 2-1/2	65	275	225	164	34	22	55	69.5	23	35.5	M20	UK215	FL215	HA2315 HE2315 H2315	6.4	—
UKFL 216+HA2316 216+HE2316 216+H2316	2-11/16 2-3/4	70	290	233	180	34	22	58	73	25	39	M22	UK216	FL216	HA2316 HE2316 H2316	8.0	—

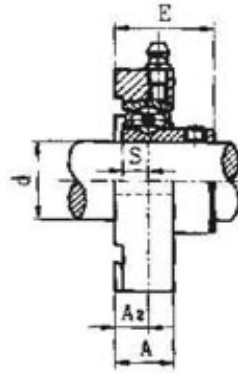
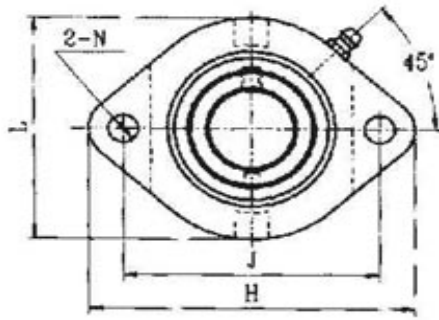
OVAL FLANGE UNITS



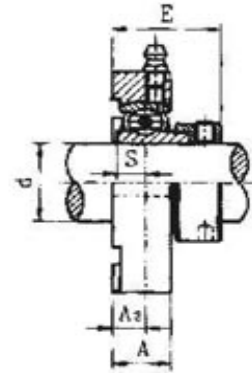
SBFL-G Set screw type

Unit No.	Shaft Dia.		Dimensions(mm)									Bolt Size	Bearing No.	Housing No.	Mass (kg)	Available N
	d (in.)	(mm)	H	J	L	A ₂	A ₁	A	E	N	S					
SBFL202G		15											SB 202G		0.36	—
202-10G	5/8	17	99	76.5	57	15	11	25.5	31	11.5	6	M10	202-10G	FL 203	0.38	
203G													203G			
203-11G	11/16												203-11G			
SBFL204-12G	3/4	20	113	90	60	15	11	25.5	33	11.5	7	M10	SB 204-12G	FL 204	0.39	12
204G													204G		0.37	
SBFL205-14G	7/8	25	130	99	68	16	13	27	35.5	11.5	7.5	M10	SB 205-14G	FL 205	0.58	16
205-15G	15/16												205-15G		0.58	
205G													205G		0.57	
205-16G	1												205-16G		0.56	
SBFL206-18G	1-1/8	30	148	117	80	18	13	31	39	11.5	8	M10	SB 206-18G	FL 206	0.84	16
206G													206G		0.83	
206-19G	1-3/16												206-19G		0.82	
206-20G	1-1/4												206-20G		0.81	
SBFL207-20G	1-1/4	35	161	130	90	19	14	34	42	14	9	M12	SB 207-20G	FL 207	1.36	16
207-21G	1-5/16												207-21G		1.35	
207-22G	1-3/8												207-22G		1.06	
207G													207G		1.03	
207-23G	1-7/16												207-23G		1.02	
SBFL208-24G	1-1/2	40	175	144	100	21	14	36	45.5	14	9.5	M12	SB 208-24G	FL 208	1.40	16
208-25G	1-9/16												208-25G		1.38	
208G													208G		1.30	

LIGHT-DUTY OVAL FLANGE UNITS(LFTC TYPE)



SBFLTC-G
Set screw type



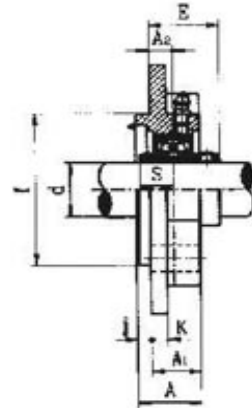
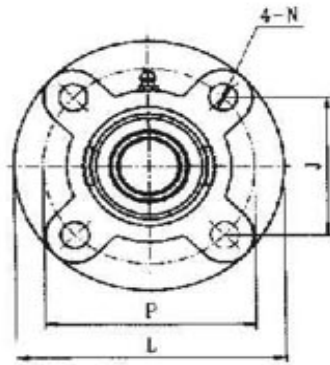
SAFLTC-G
Eccentric locking collar type

Unit No.	Shaft Dia.		Dimensions(mm)								Bolt Size		Bearing No.	Housing No.	Mass (kg)
	d		H	J	L	A	Az	N	S	E					
	(in.)	(mm)													
SBFLTC 204-12G 204G	3/4	20	90.5	71.4	66.5	17	9.5	9	7	27.5	M8	5/16	SB 204-12G 204G	LFTC20	0.4
SBFLTC 205-14G 205-15G 205G 205-16G	7/8 15/16 1	25	97	76.2	71	17.5	9.9	9	7.5	29.4	M8	5/16	SB 205-14G 205-15G 205G 205-16G	LFTC25	0.5
SBFLTC 206-18G 206G 206-19G 206-20G	1-1/8 1-3/16 1-1/4	30	112.5	90.5	84	20.5	11.4	11	8	32.4	M10	3/8	SB 206-18G 206G 206-19G 206-20G	LFTC30	0.8
SBFLTC 207-20G 207-21G 207-22G 207G 207-23G	1-1/4 1-5/16 1-3/8 1-7/16	35	126	100	94	22	12.4	11	9	35.4	M10	3/8	SB 207-20G 207-21G 207-22G 207G 207-23G	LFTC35	0.90
SBFLTC 208-24G 208-25G 208G	1-1/2 1-9/16	40	148	119	104	24	14.1	14	9.5	38.6	M12	7/16	SB 208-24G 208-25G 208G	LFTC40	1.18

Unit No.	Shaft Dia.		Dimensions(mm)								Bolt Size		Bearing No.	Housing No.	Mass (kg)
	d		H	J	L	A	Az	N	S	E					
	(in.)	(mm)													
SAFLTC 204-12G 204G	3/4	20	90.5	71.4	66.5	17	9.5	9	7	32	M8	5/16	SA 204-12G 204G	LFTC20	0.5
SAFLTC 205-14G 205-15G 205G 205-16G	7/8 15/16 1	25	97	76.2	71	17.5	9.9	9	7.5	32.9	M8	5/16	SA 205-14G 205-15G 205G 205-16G	LFTC25	0.5
SAFLTC 206-18G 206G 206-19G 206-20G	1-1/8 1-3/16 1-1/4	30	112.5	90.5	84	20.5	11.4	11	8	37.3	M10	3/8	SA 206-18G 206G 206-19G 206-20G	LFTC30	0.8
SAFLTC 207-20G 207-21G 207-22G 207G 207-23G	1-1/4 1-5/16 1-3/8 1-7/16	35	126	100	94	22	12.4	11	9	40.9	M10	3/8	SA 207-20G 207-21G 207-22G 207G 207-23G	LFTC35	1.0
SAFLTC 208-24G 208-25G 208G	1-1/2 1-9/16	40	148	119	104	24	14.1	14	9.5	45.1	M12	7/16	SA 208-24G 208-25G 208-26G	LFTC40	1.27

Notes: These numbers indicate relubricatable type. If maintenance free type is needed, please order without suffix "G"

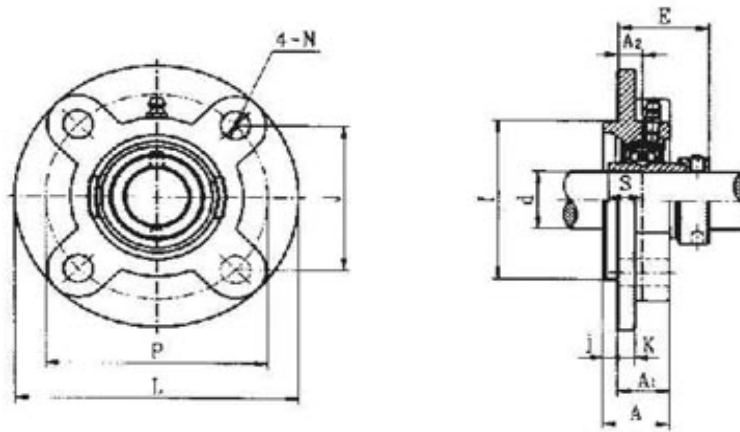
ROUND FLANGED CARTRIDGE UNITS



UCFC
Set screw type

Unit No.	Shaft Dia.		Dimensions(mm)													Bolt Size	Bearing No.	Housing No.	Mass (kg)
	d (in.)	d (mm)	L	P	A ₂	A ₁	A	j	K	N	J	f	S	E					
UCFC 202 202-10 203 203-11	5/8 11/16	15 17	90	70	10	19	23	4	5	10	49.5	55	11.5	25.9	M8	UC 202 202-10 203 203-11	FC203	0.56 0.54	
UCFC 204-12 204	3/4	20	100	78	10	20.5	25.5	5	6	11.5	55.1	62	12.7	28.3	M10	UC 204-12 204	FC204	0.76	
UCFC 205-14 205-15 205 205-16	7/8 15/16 1	25	115	90	10	21	27	6	7	12	63.6	70	14.3	29.7	M10	UC 205-14 205-15 205 205-16	FC205	0.96	
UCFC 206-18 206 206-19 206-20	1-1/8 1-3/16 1-1/4	30	125	100	10	23	31	8	8	12	70.7	80	15.9	32.2	M10	UC 206-18 206 206-19 206-20	FC206	1.37	
UCFC 207-20 207-21 207-22 207 207-23	1-1/4 1-5/16 1-3/8 1-7/16	35	135	110	11	26	34	8	9	14	77.8	90	17.5	36.4	M12	UC 207-20 207-21 207-22 207 207-23	FC207	1.7	
UCFC 208-24 208-25 208	1-1/2 1-9/16	40	145	120	11	26	36	10	9	14	84.8	100	19	41.2	M12	UC 208-24 208-25 208	FC208	2.0	
UCFC 209-26 209-27 209-28 209	1-5/8 1-11/16 1-3/4	45	160	132	10	26	38	12	10	16	93.3	105	19	40.2	M14	UC 209-26 209-27 209-28 209	FC209	2.7	
UCFC 210-30 210-31 210	1-7/8 1-15/16	50	165	138	10	28	40	12	14	16	97.6	110	19	42.6	M14	UC 210-30 210-31 210	FC210	2.9	
UCFC 211-32 211-34 211 211-35	2 2-1/8 2-3/16	55	185	150	13	30	42	12	13	19	106.1	125	22.2	46.4	M16	UC 211-32 211-34 211 211-35	FC211	4.2	
UCFC 212-36 212 212-38 212-39	2-1/4 2-3/8 2-7/16	60	195	160	17	36	48	12	15	19	113.1	135	25.4	56.7	M16	UC 212-36 212 212-38 212-39	FC212	4.94	
UCFC 213-40 213	2-1/2	65	205	170	16	35	49	14	15	19	120.2	145	25.4	55.7	M16	UC 213-40 213	FC213	5.7	
UCFC 214-44 214	2-3/4	70	215	177	17	38	52	14	16	19	125.1	150	30.2	61.4	M16	UC 214-44 214	FC214	6.8	
UCFC 215 215-48	3	75	220	184	18	39	55	16	17	19	130.1	160	33.3	62.5	M16	UC 215 215-48	FC215	7.2	
UCFC 216		80	240	200	18	42	58	16	18	23	141.4	170	33.3	67.3	M20	UC 216	FC216	8.7	
UCFC 217-52 217	3-1/4	85	250	208	18	45	63	18	20	23	147.1	180	34.1	69.6	M20	UC 217-52 217	FC217	10.3	
UCFC 218-56 218	3-1/2	90	265	220	22	50	68	18	20	23	155.5	190	39.7	78.3	M20	UC 218-56 218	FC218	13.5	

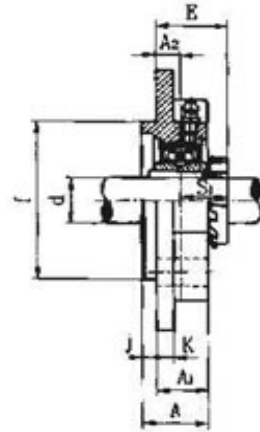
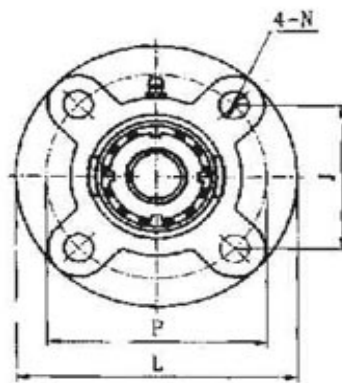
ROUND FLANGED CARTRIDGE UNITS



NAFC
Set screw type

Unit No.	Shaft Dia.		Dimensions(mm)											Bolt Size	Bearing No.	Housing No.	Mass (kg)	
	(in.)	(mm)	L	P	A ₁	A ₂	A	j	K	N	J	f	S					E
NAFC 202	5/8	15	90	70	10	19	23	4	5	10	49.5	55	13.9	33.4	M8	NA 202	FC203	0.6
202-10		17														0.58		
203		11/16														0.58		
NAFC 204-12	3/4	20	100	78	10	20.5	25.5	5	6	11.5	55.1	62	17	36.5	M10	NA 204-12	FC204	0.8
204		204																
NAFC 205-14	7/8	25	115	90	10	21	27	6	7	12	63.6	70	17.4	36.9	M10	NA 205-14	FC205	1.1
205-15		15/16																
205		1																
205-16		1																
NAFC 206-18	1-1/8	30	125	100	10	23	31	8	8	12	70.7	80	18.2	40.1	M10	NA 206-18	FC206	1.5
206																		
206-19																1-3/16		
206-20																1-1/4		
NAFC 207-20	1-1/4	35	135	110	11	26	34	8	9	14	77.8	90	18.8	43.3	M12	NA 207-20	FC207	1.8
207-21																1-5/16		
207-22																1-3/8		
207																1-7/16		
207-23																1-7/16		
NAFC 208-24	1-1/2	40	145	120	11	26	36	10	9	14	84.8	100	21.4	45.9	M12	NA 208-24	FC208	2.2
208-25																1-9/16		
208																208		
NAFC 209-26	1-5/8	45	160	132	10	26	38	12	10	16	93.3	105	21.4	44.9	M14	NA 209-26	FC209	2.8
209-27																1-11/16		
209-28																1-3/4		
209																209		
NAFC 210-30	1-7/8	50	165	138	10	28	40	12	14	16	97.6	110	24.6	48.1	M14	NA 210-30	FC210	3.3
210-31																1-15/16		
210																210		
NAFC 211-32	2	55	185	150	13	30	42	12	13	19	106.1	125	27.7	56.6	M16	NA 211-32	FC211	4.5
211-34																2-1/8		
211																211		
211-35																2-3/16		
NAFC 212-36	2-1/4	60	195	160	17	36	48	12	15	19	113.1	135	30.9	63.8	M16	NA 212-36	FC212	5.7
212																		
212-38																2-3/8		
212-39																2-7/16		
NAFC 213-40	2-1/2	65	205	170	16	35	49	14	15	19	120.2	145	34.1	67.6	M16	NA 213-40	FC213	6.5
213																213		
NAFC 214-44	2-3/4	70	215	177	17	38	52	14	16	19	125.1	150	34.1	68.6	M16	NA 214-44	FC214	7.2
214																214		
NAFC 215	3	75	220	184	18	39	55	16	17	19	130.1	160	37.3	72.8	M16	NA 215	FC215	8.0
215-48																215-48		
NAFC 216		80	240	200	18	42	58	16	18	23	141.4	170	37.3	75.9	M20	NA 216	FC216	9.53

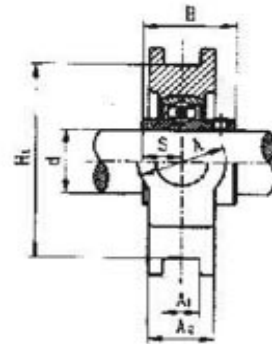
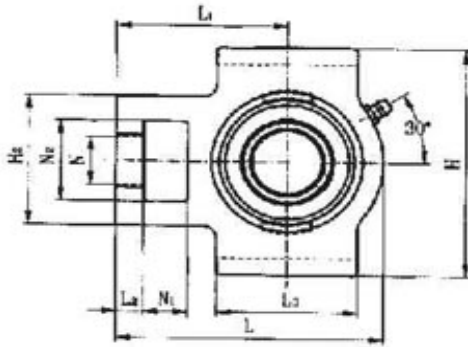
ROUND FLANGED CARTRIDGE UNITS



UKFC+H
Tapered bore, adapter type

Unit No.	Shaft Dia.		Dimensions(mm)													Bolt Size	Bearing No.	Housing No.	Adapter No.	Mass (kg)
	d		L	P	A ₁	A ₂	A	j	K	N	J	f	S	E						
	(in.)	(mm)																		
UKFC205+HE2305 205+H2305	3/4	20	115	90	10	21	27	6	7	12	63.6	70	18.5	28.5	M10	UK205	FC205	He2305 H2305	0.98	
UKFC206+HS2306 206+HA2306 206+H2306 206+HE2306	7/8 15/16 1	25	125	100	10	23	31	8	8	12	70.7	80	20.5	30.5	M10	UK206	FC206	HS2306 HA2306 H2306 HE2306	1.2	
UKFC207+HS2307 207+H2307 207+HA2307	1-1/8 1-3/16	30	135	110	11	26	34	8	9	14	77.8	90	22.5	33.5	M12	UK207	FC207	HS2307 H2307 HA2307	1.7	
UKFC208+HE2308 208+HS2308 208+H2308	1-1/4 1-3/8	35	145	120	11	26	36	10	9	14	84.8	100	24.5	35.5	M12	UK208	FC208	HE2308 HS2308 H2308	2.0	
UKFC209+HA2309 209+HE2309 209+H2309	1-7/16 1-1/2	40	160	132	10	26	38	12	10	16	93.3	105	26	36	M14	UK209	FC209	HA2309 HE2309 H2309	2.7	
UKFC210+HS2310 210+HA2310 210+HE2310 210+H2310	1-5/8 1-11/16 1-3/4	45	165	138	10	28	40	12	14	16	97.6	110	27.5	37.5	M14	UK210	FC210	HS2310 HA2310 HE2310 H2310	3.0	
UKFC211+HS2311 211+HA2311 211+H2311 211+HE2311	1-7/8 1-15/16 2	50	185	150	13	30	42	12	13	19	106.1	125	28.5	41.5	M16	UK211	FC211	HS2311 HA2311 H2311 HE2311	4.2	
UKFC212+HS2312 212+H2312	2-1/8	55	195	160	17	36	48	12	15	19	113.1	135	31	48	M16	UK212	FC212	HS2312 H2312	4.9	
UKFC213+HA2313 213+HE2313 213+H2313 213+HS2313	2-3/16 2-1/4 2-3/8	60	205	170	16	35	49	14	15	19	120.2	145	32	48	M16	UK213	FC213	HA2313 HE2313 H2313 HS2313	5.6	
UKFC215+HA2315 215+HE2315 215+H2315	2-7/16 2-1/2	65	220	184	18	39	55	16	17	19	130.1	160	35.5	53.5	M16	UK215	FC215	HA2315 HE2315 H2315	7.5	
UKFC216+HA2316 216+HE2316 216+H2316	2-11/16 2-3/4	70	240	200	18	42	58	16	18	23	141.4	170	39	57	M20	UK216	FC216	HA2316 HE2316 Ha2316	8.9	
UKFC217+HA2317 217+H2317 217+HE2317	2-15/16 3	75	250	208	18	45	63	18	20	23	147.1	180	40	58	M20	UK217	FC217	HA2317 H2317 HE2317	10.4	
UKFC218+H2318		80	265	220	22	50	68	18	20	23	155.5	190	42	64	M20	UK218	FC218	H2318	13.3	

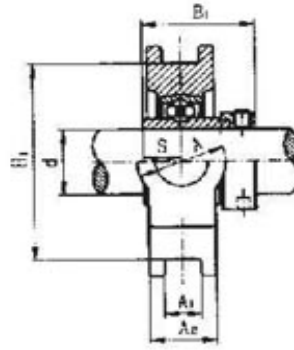
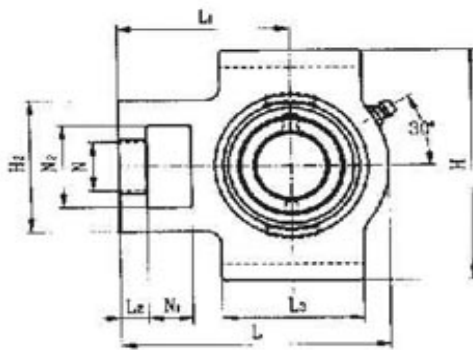
TAKE-UP UNITS



UCT
Set screw type

Unit No.	Shaft Dia.		Dimensions(mm)															Bearing No.	Housing No.	Mass (kg)																			
	d (in.)	d (mm)	N ₁	L ₂	H ₂	N ₂	N	L ₃	A ₁	H ₁	H	L	A	A ₂	L ₁	B	S																						
UCT204-12 204	3/4	20	16	10	51	32	19	51	12	76	89	94	32	21	61	31	12.7	UC 204-12 204	T204	0.79																			
UCT205-14 205-15 205	7/8	25	16	10	51	32	19	51	12	76	89	97	32	24	62	34	14.3	UC 205-14 205-15 205	T205	0.88																			
205-16	1																																						
UCT206-18 206	1-1/8	30	16	10	56	37	22	57	12	89	102	113	37	28	70	38.1	15.9	UC 206-18 206	T206	1.3																			
206-19	1-3/16																																						
206-20	1-1/4																																						
UCT207-20 207-21 207-22 207	1-1/4	35	16	13	64	37	22	64	12	89	102	129	37	30	78	42.9	17.5	UC 207-20 207-21 207-22 207	T207	1.7																			
207-23	1-7/16																																						
UCT208-24 208-25 208	1-1/2																				40	19	16	83	49	29	83	16	102	114	144	49	33	88	49.2	19	UC 208-24 208-25 208	T208	2.5
208-25	1-9/16																																						
209	1-5/8																																						
UCT209-26 209-27 209-28 209	1-11/16	45	19	16	83	49	29	83	16	102	117	144	49	35	87	49.2	19.0	UC 209-26 209-27 209-28 209	T209	2.5																			
209-28	1-3/4																																						
UCT210-30 210-31 210	1-7/8																				50	19	16	83	49	29	86	16	102	117	149	49	37	90	51.6	19	UC 210-30 210-31 210	T210	2.6
210	1-15/16																																						
UCT211-32 211-34 211	2	55	25	19	102	64	35	95	22	130	146	171	64	38	106	55.6	22.2	UC 211-32 211-34 211	T211	4.0																			
211-35	2-1/8																																						
UCT212-36 212	2-1/4																				60	32	19	102	64	35	102	22	130	146	194	64	42	119	65.1	25.4	UC 212-36 212	T212	4.9
212-38	2-3/8																																						
212-39	2-7/16																																						
UCT213-40 213	2-1/2	65	32	21	111	70	41	121	26	151	167	224	70	44	137	65.1	25.4	UC 213-40 213	T213	7.0																			
UCT214-44 214	2-3/4	70	32	21	111	70	41	121	26	151	167	224	70	46	137	74.6	30.2	UC 214-44 214	T214	7.1																			
UCT215 215-48	3	75	32	21	111	70	41	121	26	151	167	232	70	48	140	77.8	33.3	UC 215 215-48	T215	7.5																			
UCT216		80	32	21	111	70	41	121	26	165	184	235	70	51	140	82.6	33.3	UC 216	T216	8.2																			
UCT217-52 217	3-1/4	85	38	29	124	73	48	157	30	173	198	260	73	54	162	85.7	34.1	UC 217-52 217	T217	11.0																			

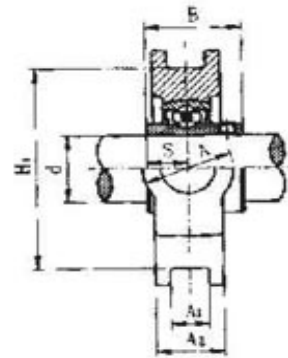
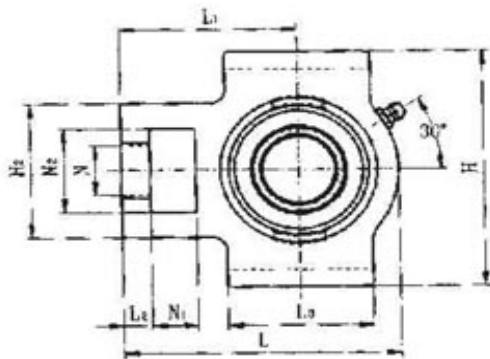
TAKE-UP UNITS



NAT
Eccentric locking collar type

Unit No.	Shaft Dia.		Dimensions(mm)															Bearing No.	Housing No.	Mass (kg)
	(in.)	(mm)	N ₁	L ₁	H ₁	N ₂	N	L ₂	A ₁	H ₂	H	L	A	A ₂	L ₃	B ₁	S			
NAT204-12 204	3/4	20	16	10	51	32	19	51	12	76	89	94	32	21	61	43.5	17	NA 204-12 204	T204	0.84
NAT205-14 205-15 205 205-16	7/8 15/16	25	16	10	51	32	19	51	12	76	89	97	32	24	62	44.3	17.4	NA 205-14 205-15 205 205-16	T205	0.92
NAT206-18 206 206-19 206-20	1-1/8 1-3/16 1-1/4	30	16	10	56	37	22	57	12	89	102	113	37	28	70	48.3	18.2	NA 206-18 206 206-19 206-20	T206	1.39
NAT207-20 207-21 207-22 207 207-23	1-1/4 1-5/16 1-3/8 1-7/16	35	16	13	64	37	22	64	12	89	102	129	37	30	78	51.1	18.8	NA 207-20 207-21 207-22 207 207-23	T207	1.83
NAT208-24 208-25 208	1-1/2 1-9/16	40	19	16	83	49	29	83	16	102	114	144	49	33	88	56.3	21.4	NA 208-24 208-25 208	T208	2.64
NAT209-26 209-27 209-28 209	1-5/8 1-11/16 1-3/4	45	19	16	83	49	29	83	16	102	117	144	49	35	87	56.3	21.4	NA 209-26 209-27 209-28 209	T209	2.67
NAT210-30 210-31 210	1-7/8 1-15/16	50	19	16	83	49	29	86	16	102	117	149	49	37	90	62.7	24.6	NA 210-30 210-31 210	T210	2.81
NAT211-32 211-34 211 211-35	2 2-1/8 2-3/16	55	25	19	102	64	35	95	22	130	146	171	64	38	106	71.3	27.7	NA 211-32 211-34 211 211-35	T211	4.27
NAT212-36 212 212-38 212-39	2-1/4 2-3/8 2-7/16	60	32	19	102	64	35	102	22	130	146	194	64	42	119	77.7	30.9	NA 212-36 212 212-38 212-39	T212	5.26
NAT213-40 213	2-1/2	65	32	21	111	70	41	121	26	151	167	224	70	44	137	85.7	34.1	NA 213-40 213	T213	7.55
NAT214-44 214	2-3/4	70	32	21	111	70	41	121	26	151	167	224	70	46	137	85.7	34.1	NA 214-44 214	T214	7.62
NAT215 215-48	3	75	32	21	111	70	41	121	26	151	167	232	70	48	140	92.1	37.3	NA 215 215-48	T215	8.13
NAT216		80	32	21	111	70	41	121	26	165	184	235	70	51	140	95.2	37.3	NA 216	T216	8.53

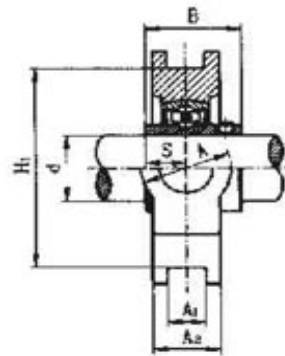
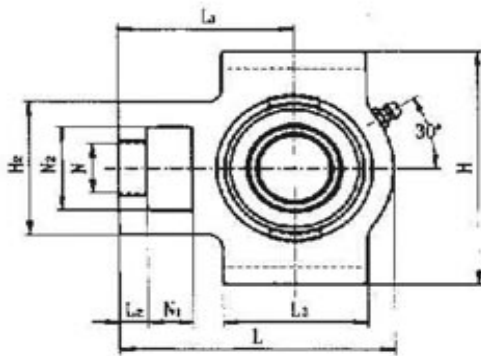
TAKE-UP UNITS



UCK
Set screw type

Unit No.	Shaft Dia.	Dimensions(mm)															Bearing No.	Housing No.	Mass (kg)
	d (mm)	N ₁	L ₁	H ₁	N ₂	N	L ₂	A ₁	H ₁	H	L	A	A ₂	L ₃	B	S			
UCK204	20	16	10	51	32	19	51	13.5	76	89	94	32	24	61	31	12.7	UC204	K204	0.79
UCK205	25	16	10	51	32	19	51	13.5	76	89	97	32	26	62	34	14.3	UC205	K205	0.88
UCK206	30	16	10	56	37	22	57	13.5	89	102	113	37	30	70	38.1	15.9	UC206	K206	1.3
UCK207	35	16	13	64	37	22	64	13.5	89	102	129	37	32	78	42.9	17.5	UC207	K207	1.7
UCK208	40	19	16	83	49	29	83	17.5	101	114	144	49	33	88	49.2	19	UC208	K208	2.5
UCK209	45	19	16	83	49	29	83	17.5	101	117	144	49	35	88	49.2	19	UC209	K209	2.5
UCK210	50	19	16	83	49	29	86	17.5	101	117	149	49	37	90	51.6	19	UC210	K210	2.6
UCK211	55	25	19	102	64	35	95	27	130	146	171	64	42	106	55.6	22.2	UC211	K211	4.0
UCK212	60	31	17	102	64	35	102	27	130	146	194	64	50	119	65.1	25.4	UC212	K212	4.9

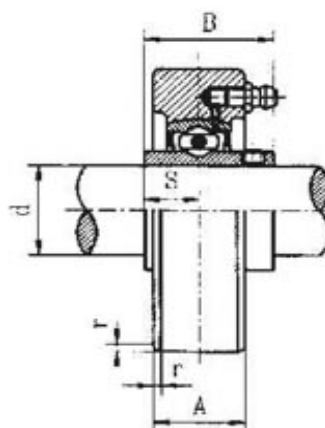
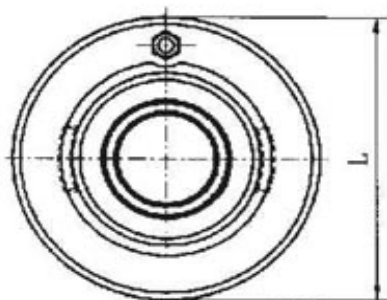
TAKE-UP UNITS



UCST Set screw type

Unit No.	Shaft Dia.		Dimensions(mm)														Bearing No.	Housing No.	Mass (kg)																			
	d (in.)	d (mm)	N ₁	L ₁	H ₁	N ₂	N	L ₂	A ₁	H ₂	H	L	A	A ₂	L ₃	B				S																		
UCST 204-12 204	3/4	20	16	10	51	32	19	51	13.5	76	89	94	32	21	61	31	12.7	UC 204-12 204	ST 204	0.79																		
UCST 205-14 205-15 205	7/8 15/16	25	16	10	51	32	19	51	13.5	76	89	97	32	24	62	34	14.3	UC 205-14 205-15 205	ST 205	0.88																		
205-16	1																	205-16																				
UCST 206-18 206	1-1/8	30	16	10	56	37	22	57	13.5	89	102	113	37	28	70	38.1	15.9	UC 206-18 206	ST 206	1.3																		
209-19	1-3/16																	209-19																				
206-20	1-1/4																	206-20																				
UCST 207-20 207-21 207-22 207	1-1/4 1-5/16 1-3/8	35	16	13	64	37	22	64	13.5	89	102	129	37	30	78	42.9	17.5	UC 207-20 207-21 207-22 207	ST 207	1.7																		
207-23	1-7/16																	207-23																				
UCST 208-24 208-25 208	1-1/2 1-9/16																	40			19	16	83	49	29	83	17.5	102	114	144	49	33	88	49.2	19	UC 208-24 208-25 208	ST 208	2.5
UCST 209-26 209-27 209-28 209	1-5/8 1-11/16 1-3/4																																			209-26 209-27 209-28 209		
UCST 210-30 210-31 210	1-7/8 1-15/16	50	19	16	83	49	29	86	17.5	102	117	149	49	37	90	51.6	19	UC 210-30 210-31 210	ST 210	2.6																		
UCST 211-32 211-34 211	2 2-1/8																	55			25	19	102	64	35	95	27	130	146	171	64	38	106	55.6	22.2	UC 211-32 211-34 211	ST 211	4.0
211-35	2-3/16	211-35																																				
UCST 212-36 212	2-1/4	60	32	19	102	64	35	102	27	130	146	194	64	42	119	65.1	25.4	UC 212-36 212	ST 212	4.9																		
212-38	2-3/8																	212-38																				
212-39	2-7/16																	212-39																				

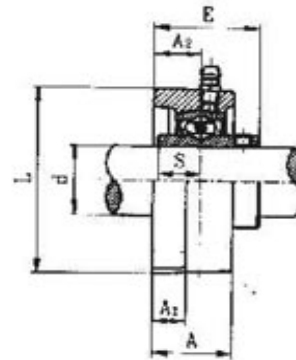
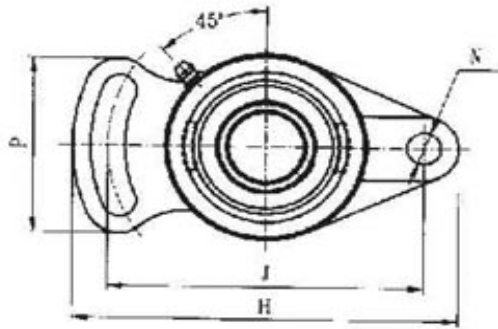
CYLINDRICAL CARTRIDGE UNITS



UCC
Set screw type

Unit No.	Shaft Dia.		Dimensions(mm)					Bearing No.	Housing No.	Mass (kg)
	d		L	A	S	B	r			
	(In.)	(mm)								
UCC 203 203-11	11/16	17	67	20	11.5	27.4	1.5	UC 203 203-11	C203	
UCC 204-12 204	3/4	20	72	20	12.7	31	1.5	UC 204-12 204	C204	0.5
UCC 205-14 205-15 205 205-16	7/8 15/16 1	25	80	22	14.3	34	1.5	UC 205-14 205-15 205 205-16	C205	0.65
UCC 206-18 206 206-19 206-20	1-1/8 1-3/16 1-1/4	30	85	27	15.9	38.1	1.5	UC 206-18 206 206-19 206-20	C206	0.82
UCC 207-20 207-21 207-22 207 207-23	1-1/4 1-5/16 1-3/8 1-7/16	35	90	28	17.5	42.9	2	UC 207-20 207-21 207-22 207 207-23	C207	0.94
UCC 208-24 208-25 208	1-1/2 1-9/16	40	100	30	19	49.2	2	UC 208-24 208-25 208	C208	1.3
UCC 209-26 209-27 209-28 209	1-5/8 1-11/16 1-3/4	45	110	31	19	49.2	2	UC 209-26 209-27 209-28 209	C209	1.6
UCC 210-30 210-31 210 210-32	1-7/8 1-15/16 2	50	120	33	19	51.6	2	UC 210-30 210-31 210 210-32	C210	2
UCC 211-32 211-34 211 211-35	2 2-1/8 2-3/16	55	125	35	22.2	55.6	2.5	UC 211-32 211-34 211 211-35	C211	2.2
UCC 212-36 212 212-38 212-39	2-1/4 2-3/8 2-7/16	60	130	38	25.4	65.1	2.5	UC 212-36 212 212-38 212-39	C212	2.6
UCC 213-40 213	2-1/2	65	140	40	25.4	65.1	2.5	UC 213-40 213	C213	3.1

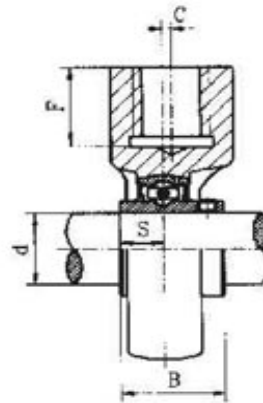
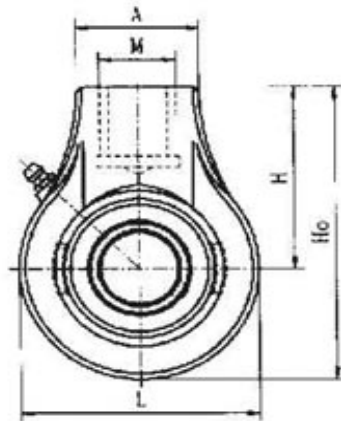
ADJUSTABLE FLANGE UNITS



UCFA
Set screw type

Unit No.	Shaft Dia.		Dimensions(mm)										Bolt Size	Bearing No.	Housing No.	Mass (kg)	
	d (In.)	d (mm)	H	J	L	P	A ₁	A ₂	A	N	E	S					
UCFA 202		15													UC 202		
202-10	5/8	15	95	75	57	47	9	13	22	10	28.9	11.5	M8	202-10	FA 203	0.37	
203		17												203			
203-11	11/16	17												203-11			
UCFA 204-12	3/4	20	98	78	59	50	11	13.74	24	10	32.04	12.7	M8	UC 204-12	FA 204	0.45	
204		20												204			
UCFA 205-14	7/8	25	122	96	70	64	13	16	27	12	35.7	14.3	M8	UC 205-14	FA 205	0.69	
205-15	15/16	25												205-15			
205		25												205			
205-16	1	25												205-16			
UCFA 206-18	1-1/8	30	141	115	80	68	14	18	30.5	12	40.2	15.9	M8	UC 206-18	FA 206	1.0	
206		30												206			
206-19	1-3/16	30												206-19			
206-20	1-1/4	30												206-20			
UCFA 207-20	1-1/4	35	155	128	92	75	15	19	33	13	44.4	17.5	M8	UC 207-20	FA 207	1.5	
207-21	1-5/16	35												207-21			
207-22	1-3/8	35												207-22			
207		35												207			
207-23	1-7/16	35												207-23			
UCFA 208-24	1-1/2	40	171	144	105	84	14	21	38	13	51.2	19	M10	UC 208-24	FA 208	1.8	
208-25	1-9/16	40												208-25			
208		40												208			
UCFA 209-26	1-5/8	45	178	146	108	88	16	22	38	16	52.2	19	M10	UC 209-26	FA 209	2.1	
209-27	1-11/16	45												209-27			
209-28	1-3/4	45												209-28			
209		45												209			
UCFA 210-30	1-7/8	50	188	155	114	92	16	22	39	16	54.6	19	M10	UC 210-30	FA 210	2.3	
210-31	1-15/16	50												210-31			
210		50												210			
210-32	2	50												210-32			
UCFA 211-32	2	55	216	182	128	102	18	25	42.5	16	58.4	22.2	M12	UC 211-32	FA 211	3.6	
211-34	2-1/8	55												211-34			
211		55												211			
211-35	2-3/16	55												211-35			
UCFA 212-36	2-1/4	60	238	202	140	122	19	29	47.5	18	68.7	25.4	M12	UC 212-36	FA 212		
212		60												212			
212-38	2-3/8	60												212-38			
212-39	2-7/16	60												212-39			
UCFA 213-40	2-1/2	65	248	210	152	126	20	30	49	18	69.7	25.4	M12	UC 213-40	FA 213		
213		65												213			

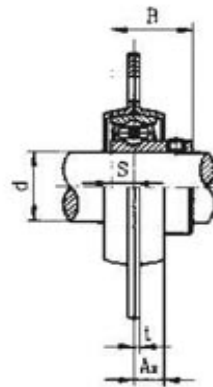
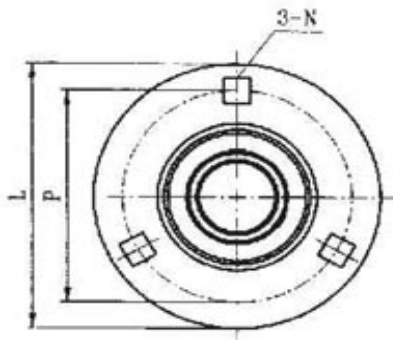
HANGER UNITS



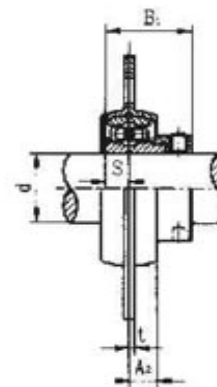
UCHA
Set screw type

Unit No.	Shaft Dia.		Dimensions(mm)									Bearing No.	Housing No.	Mass (kg)
	d		H _o	L	C	H	A	F	M	B	S			
	(in.)	(mm)												
UCHA203 203-11	11/16	17	88.5	57	0	60	38	19	G3/4	27.4	11.5	UC 203 203-11	HA203	0.6
UCHA204-12 204	3/4	20	20	96	0	64	40	19	G3/4	31	12.7	UC 204-12 204	HA204	0.7
UCHA205-14 205-15 205 205-16	7/8 15/16 1	25	103	78	0	64	40	19	G3/4	34	14.3	UC 205-14 205-15 205 205-16	HA205	0.88
UCHA206-18 206 206-19 206-20	1-1/8 1-3/16 1-1/4	30	103	78	0	64	40	19	G3/4	38.1	15.9	UC 206-18 206 206-19 206-20	HA206	1.0
UCHA207-20 207-21 207-22 207 207-23	1-1/4 1-5/16 1-3/8 1-7/16	35	116	92	0	70	40	19	G3/4	42.9	17.5	UC 207-20 207-21 207-22 207 207-23	HA207	1.2
UCHA208-24 208-25 208	1-1/2 1-9/16	40	121	96	2	73	40	19	G3/4	49.2	19	UC 208-24 208-25 208	HA208	1.3
UCHA209-26 209-27 209-28 209	1-5/8 1-11/16 1-3/4	45	136	108	5	82	48	21	G1	49.2	19	UC 209-26 209-27 209-28 209	HA209	1.8
UCHA210-30 210-31 210 210-32	1-7/8 1-15/16 2	50	140.5	115	5	83	48	21	G1	51.6	19	UC 210-30 210-31 210 210-32	HA210	2.1
UCHA211-32 211-34 211 211-35	2 2-1/8 2-3/16	55	150	126	7	87	60	24	G1-1/4	55.6	22.2	UC 211-32 211-34 211 211-35	HA211	2.8
UCHA212-36 212 212-38 212-39	2-1/4 2-3/8 2-7/16	60	173	142	9	102	60	28	G1-1/4	65.1	25.4	UC 212-36 212 212-38 212-39	HA212	3.9
UCHA213-40 213	2-1/2	65	200	166	9.5	117	70	32	G1-1/2	65.1	25.4	UC 213-40 213	HA213	5.9
UCHA214-44 214	2-3/4	70	200	166	9.5	117	70	32	G1-1/2	74.6	30.2	UC 214-44 214	HA214	5.9
UCHA215-47 215 215-48	2-15/16 2	75	200	166	9.5	117	70	32	G1-1/2	77.8	33.2	UC 215-47 215 215-48	HA215	5.9

PRESSED STEEL HOUSING ROUND FLANGED UNITS



SBPF
Set screw type

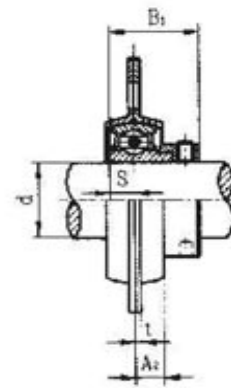
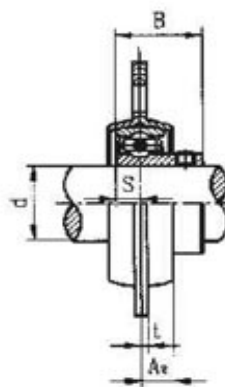
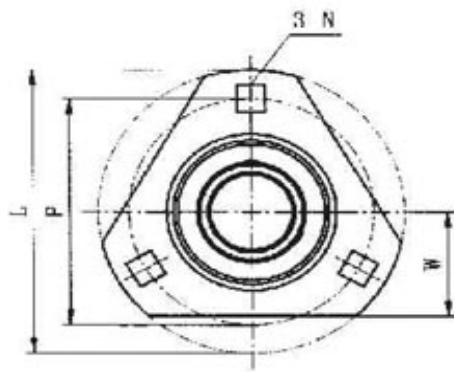


SAPF
Eccentric locking collar type

Unit No.	Shaft Dia.		Dimensions(mm)									Bearing No.	Housing No.	Mass (kg)	
	(in.)	(mm)	L	P	A _z	t	N	S	B	Bolt Size					
SBPF 201		12											SB 201		
201-8	1/2												201-8		0.27
202		15	82	64	7	2	7.5	6	22	1/4	M6		PF 203	0.27	
202-10	5/8												202-10		
203		17											203		0.26
203-11	11/16												203-11		
SBPF 204-12	3/4		91	71	8	2	9	7	25	5/16	M8		PF 204	0.3	
204		20										SB 204-12			
204												204			
SBPF 205-14	7/8												PF 205	0.38	
205-15	15/16		95	76	9	2	9	7.5	27	5/16	M8				
205		25										SB 205-14			
205-16	1											205-16			
SBPF 206-18	1-1/8												PF 206	0.62	
206		30	113	90	9	2.5	10.5	8	29	3/8	M10				
206-19	1-3/16											SB 206-18			
206-20	1-1/4											206-19			
												206-20			
SBPF 207-20	1-1/4												PF 207	0.82	
207-21	1-5/16		122	100	10	2.5	10.5	9	32	3/8	M10				
207-22	1-3/8											SB 207-20			
207		35										207-21			
207-23	1-7/16											207-22			
												207			
												207-23			

Unit No.	Shaft Dia.		Dimensions(mm)									Bearing No.	Housing No.	Mass (kg)	
	(in.)	(mm)	L	P	A _z	t	N	S	B	Bolt Size					
SAPF 201		12											SA 201		0.29
201-8	1/2												201-8		
202		15	82	64	7	2	7.5	6.5	28.6	1/4	M6		PF203	0.29	
202-10	5/8												202-10		
203		17											203		0.28
203-11	11/16												203-11		
SAPF 204-12	3/4		91	71	8	2	9	7	29.5	5/16	M8		PF204	0.31	
204		20										SA 204-12			
204												204			
SAPF 205-14	7/8												PF205	0.41	
205-15	15/16		95	76	9	2	9	7.5	30.5	5/16	M8				
205		25										SA 205-14			
205-16	1											205-15			
												205			
												205-16			
SAPF 206-18	1-1/8												PF206	0.67	
206		30	113	90	9	2.5	10.5	8	33.9	3/8	M10				
206-19	1-3/16											SA 206-18			
206-20	1-1/4											206			
												206-19			
												206-20			
SAPF 207-20	1-1/4												PF207	0.67	
207-21	1-5/16		122	100	10	2.5	10.5	9	37.5	3/8	M10				
207-22	1-3/8											SA 207-20			
207		35										207-21			
207-23	1-7/16											207-22			
												207			
												207-23			

PRESSED STEEL HOUSING FLANGE UNITS(PFT TYPE)



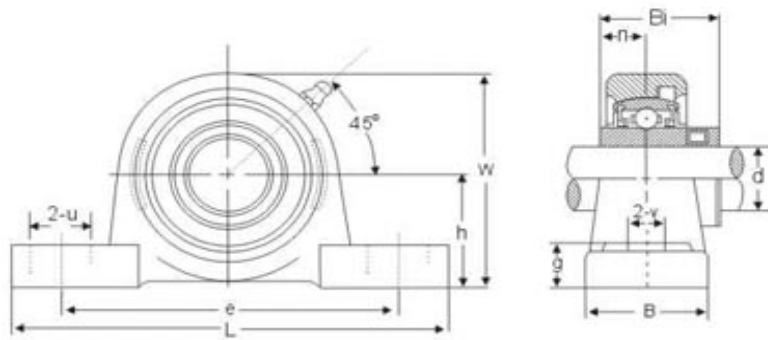
SBPFT
Set screw type

SAPFT
Eccentric locking collar type

Unit No.	Shaft Dia.		Dimensions(mm)								Bolt Size		Bearing No.	Housing No.	Mass (kg)	
	d (in.)	d (mm)	L	P	A ₂	t	N	W	S	B						
SBPFT 201 201-8 202 202-10 203 203-11	1/2 5/8 11/16	12 15 17										1/4	M6	SB 201 201-8 202 202-10 203 203-11	PFT203	0.27 0.27 0.26
SBPFT 204-12 204	3/4	20	91	71	8	2	9	33	7	25	5/16	M8	SB 204-12 204	PFT204	0.3	
SBPFT 205-14 205-15 205 205-16	7/8 15/16 1	25	95	76	9	2	9	35	7.5	27	5/16	M8	SB 205-14 205-15 205 205-16	PFT205	0.38	
SBPFT 206-18 206 206-19 206-20	1-1/8 1-3/16 1-1/4	30	113	90	9	2.5	10.5	38	8	29	3/8	M10	SB 206-18 206 206-19 206-20	PFT206	0.62	
SBPFT 207-20 207-21 207-22 207 207-23	1-1/4 1-5/16 1-3/8 1-7/16	35	122	100	10	2.5	10.5	45	9	32	3/8	M10	SB 207-20 207-21 207-22 207 207-23	PFT207	0.82	

Unit No.	Shaft Dia.		Dimensions(mm)								Bolt Size		Bearing No.	Housing No.	Mass (kg)	
	d (in.)	d (mm)	L	P	A ₂	t	N	W	S	B ₁						
SAPFT 201 201-8 202 202-10 203 203-11	1/2 5/8 11/16	12 15 17										1/4	M6	SA 201 201-8 202 202-10 203 203-11	PFT203	0.29 0.29 0.28
SAPFT 204-12 204	3/4	20	91	71	8	2	9	33	7	29.5	5/16	M8	SA 204-12 204	PFT204	0.31	
SAPFT 205-14 205-15 205 205-16	7/8 15/16 1	25	95	76	9	2	9	35	7.5	30.5	5/16	M8	SA 205-14 205-15 205 205-16	PFT205	0.41	
SAPFT 206-18 206 206-19 206-20	1-1/8 1-3/16 1-1/4	30	113	90	9	2.5	10.5	38	8	33.9	3/8	M10	SA 206-18 206 206-19 206-20	PFT206	0.67	
SAPFT 207-20 207-21 207-22 207 207-23	1-1/4 1-5/16 1-3/8 1-7/16	35	122	100	10	2.5	10.5	45	9	37.5	3/8	M10	SA 207-20 207-21 207-22 207 207-23	PFT207	0.67	

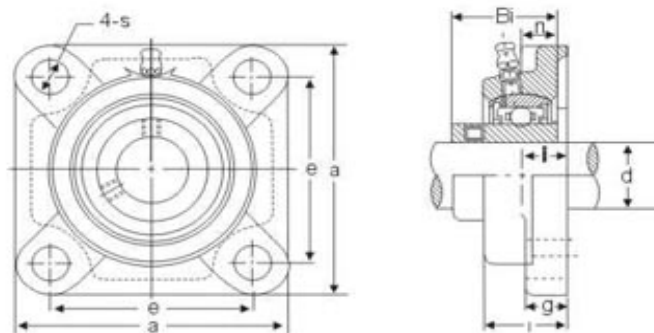
PILLOW BLOCKS CAST HOUSING



S.UCP200 Series

Bearing No.	Shaft Dia. (mm)	Dimensions(mm)										Bolt Site
		h	L	e	B	v	u	g	w	Bi	n	
S.UCP204	20	33.3	127	95	37	13	16	14	64	31	12.7	M10
S.UCP205	25	36.5	140	105	38	13	19	15	69.5	34	14.3	M10
S.UCP206	30	42.9	160	121	44	14	19	16	82	38.1	15.9	M12
S.UCP207	35	47.6	167	127	48	15	19	17	92	42.9	17.5	M12
S.UCP208	40	49.2	180	137	52	15	21	18	98	49.2	19	M12
S.UCP209	45	54	189	146	54	15	21	20	106	49.2	19	M12
S.UCP210	50	57.2	204	159	60	19	22	21	112	51.6	19	M16
S.UCP211	55	63.5	217	171	60	19	22	22	125	55.6	22.2	M16
S.UCP212	60	69.9	238	184	66	19	25	24	137	65.1	25.4	M16

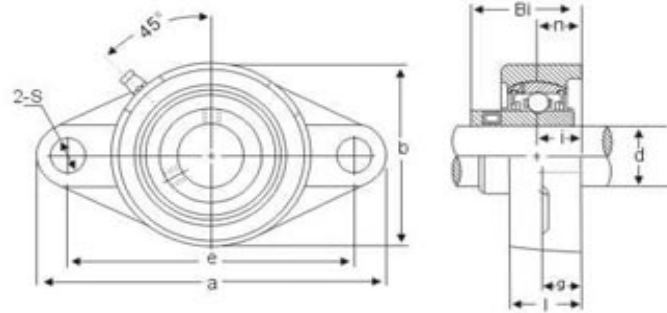
SQUARE FLANGE CAST BLOCKS



S.UCF200 Series

Bearing No.	Shaft Dia. (mm)	Dimensions(mm)								Bolt Site
		a	e	i	g	l	s	Bi	n	
S.UCF204	20	86	64	15	11	25.5	12	31	12.7	M10
S.UCF205	25	95	70	16	13	27	12	34.1	14.3	M10
S.UCF206	30	108	83	18	13	31	12	38.1	15.9	M10
S.UCF207	35	117	92	19	15	34	14	42.9	17.5	M12
S.UCF208	40	130	102	21	15	36	16	49.2	19	M14
S.UCF209	45	137	105	22	16	38	16	49.2	19	M14
S.UCF210	50	143	111	22	16	40	16	51.6	19	M14
S.UCF211	55	162	130	25	18	43	19	55.6	22.2	M16
S.UCF212	60	175	143	29	18	48	19	65.1	25.4	M16

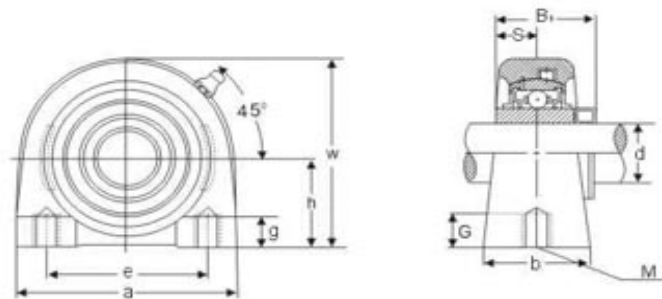
TWO-BOLT FLANGE CAST HOUSING



S.UCFL200 Series

Bearing No.	Shaft Dia. (mm)	Dimensions(mm)									Bolt Site
		a	e	i	g	l	s	b	Bi	n	
S.UCFL204	20	113	90	15	11	25.5	12	60	33.3	12.7	M10
S.UCFL205	25	130	99	16	13	27	16	68	35.7	14.3	M14
S.UCFL206	30	148	117	18	13	31	16	80	40.2	15.9	M14
S.UCFL207	35	161	130	19	15	34	16	90	44.1	17.5	M14
S.UCFL208	40	175	144	21	15	36	16	100	51.2	19	M14
S.UCFL209	45	188	148	22	16	38	19	108	52.2	19	M16
S.UCFL210	50	197	157	22	16	40	19	115	54.6	19	M16
S.UCFL211	55	224	184	25	18	43	19	130	58.4	22.2	M16
S.UCFL212	60	250	202	29	18	48	23	140	68.7	25.4	M20

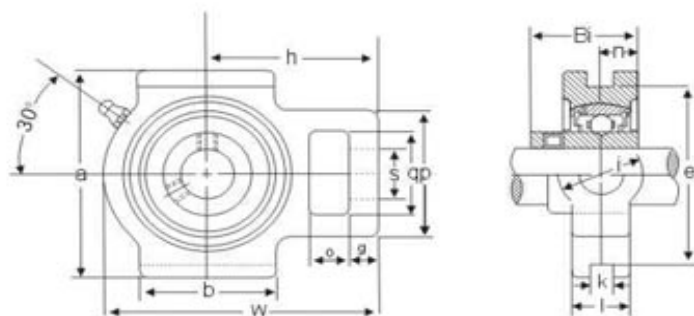
TAPPED BASE PILLOW BLOCKS



S.UCPA200 Series

Bearing No.	Shaft Dia. (mm)	Dimensions(mm)									Bolt Site
		h	a	e	b	G	g	w	Bi	s	
S.UCPA204	20	30.2	76	52	38	13	11	62	31.0	12.7	M10
S.UCPA205	25	36.5	84	56	38	15	12	72	34.1	14.3	M10
S.UCPA206	30	42.9	94	66	48	18	12	84	38.1	15.9	M14
S.UCPA207	35	47.6	110	80	48	20	13	95	42.9	17.5	M14
S.UCPA208	40	49.2	116	84	54	20	13	100	49.2	19.0	M14
S.UCPA209	45	54.2	120	90	54	25	13	108	49.2	19.0	M14
S.UCPA210	50	57.2	130	94	60	25	14	116	51.6	19.0	M16
S.UCPA211	55	63.5	140	104	66	25	14	125	55.6	22.2	M16
S.UCPA212	60	69.9	150	114	68	25	14	138	65.1	25.4	M16

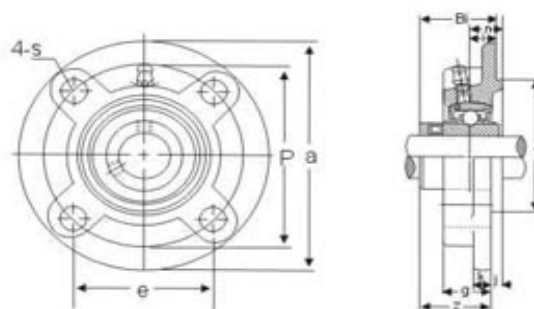
TAKE-UP UNITS CAST HOUSING



S.UCT200 Series

Bearing No.	Shaft Dia. (mm)	Dimensions(mm)														
		o	g	p	q	s	b	k	e	a	w	i	l	h	Bi	n
S.UCT204	20	16	10	51	32	19	51	12	76	89	94	32	21	61	31	12.7
S.UCT205	25	16	10	51	32	19	51	12	76	89	97	32	24	62	34.1	14.3
S.UCT206	30	16	10	56	37	22	57	12	89	102	113	37	28	70	38.1	15.9
S.UCT207	35	16	13	64	37	22	64	12	89	102	129	37	30	78	42.9	17.5
S.UCT208	40	19	16	83	49	29	83	16	102	114	144	49	33	88	49.2	19
S.UCT209	45	19	16	83	49	29	83	16	102	117	144	49	35	87	49.2	19
S.UCT210	50	19	16	83	49	29	86	16	102	117	149	49	37	90	51.6	19
S.UCT211	55	25	19	102	64	35	95	22	130	146	171	64	38	106	55.6	22.2
S.UCT212	60	32	19	102	64	35	102	22	130	146	194	64	42	119	65.1	25.4

FLANGE CARTRIDGE UNITS CAST HOUSING

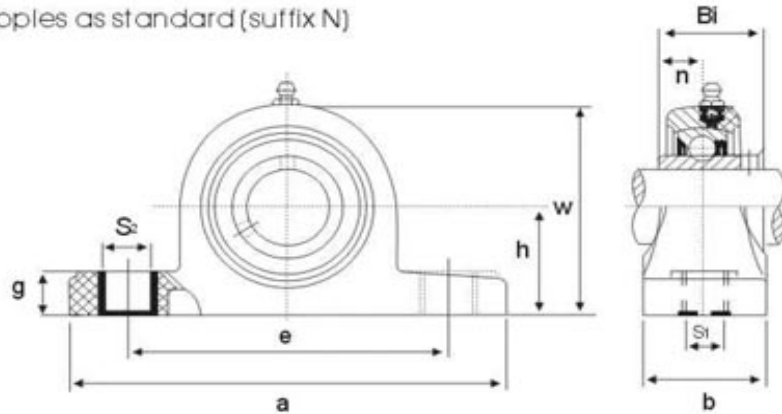


S.UCFC200 Series

Bearing No.	Shaft Dia. (mm)	Dimensions(mm)												Bolt Site
		a	p	e	i	s	j	k	g	f	z	Bi	n	
S.UCFC204	20	100	78	55.1	10	12	5	7	20.5	62	28.3	31	12.7	10
S.UCFC205	25	115	90	63.6	10	12	6	7	21	70	29.7	34.1	14.3	10
S.UCFC206	30	125	100	70.7	10	12	8	8	23	80	32.2	38.1	15.9	10
S.UCFC207	35	135	110	77.8	11	14	8	9	26	90	36.4	42.9	17.5	12
S.UCFC208	40	145	120	84.8	11	14	10	9	26	100	41.2	49.2	19	12
S.UCFC209	45	160	132	93.3	10	16	12	14	26	105	40.2	49.2	19	14
S.UCFC210	50	165	138	97.6	10	16	12	14	28	110	42.6	51.6	19	14
S.UCFC211	55	185	150	106.1	13	19	12	15	31	125	46.4	55.6	22.2	16
S.UCFC212	60	195	160	113.1	17	19	12	15	36	135	56.7	65.1	25.4	16

ENGINEERING PLASTIC BLOCK

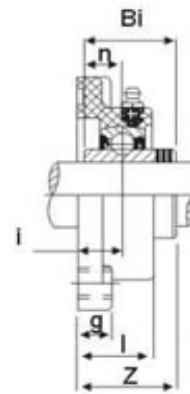
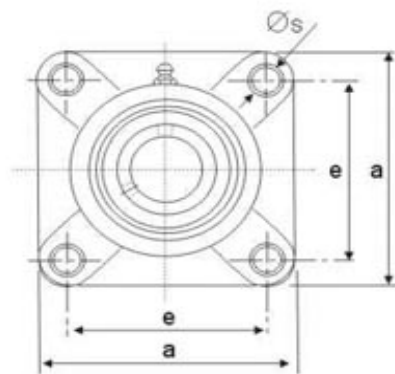
- Material: PBT
- Solid base
- Stainless steel grease nipples as standard (suffix N)



S.UCPPL200 Series

Housing No.	BEARING BORE DIA. d (mm)	Dimensions(mm)										Bolt Dia
		h	a	e	b	S ₁	S ₂	g	w	Bi	n	
S.UCPPL201	12	33.3	127	95	38	11	14	14.2	65.5	31	12.7	M10
S.UCPPL202	15	33.3	127	95	38	11	14	14.2	65.5	31	12.7	M10
S.UCPPL203	17	33.3	127	95	38	11	14	14.2	65.5	31	12.7	M10
S.UCPPL204	20	33.3	127	95	38	11	14	14.2	65.5	31	12.7	M10
S.UCPPL205	25	36.5	140.5	105	38	11	14	14.5	71	34	14.3	M10
S.UCPPL206	30	42.9	163	119	46	14	18	17.8	84	38.1	15.9	M12
S.UCPPL207	35	47.6	168	127	48	14	18	18	94.5	42.9	17.5	M12
S.UCPPL208	40	49.2	184	137	54	14	18	19.5	99	49.2	19	M12

MODE OF LOAD	BREAKING POINT OF HOUSINGS(N)						
	204	205	206	207	208	209	210
	8800	13700	12650	12750	13100	13360	13850
	7700	10000	10600	10800	11100	11400	11750
	5000	8100	5750	7500	8500	8950	9550

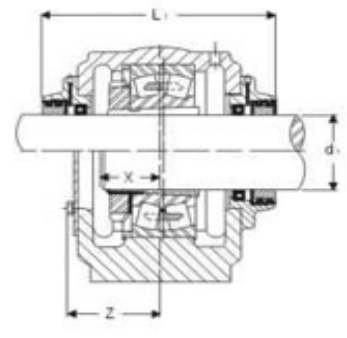
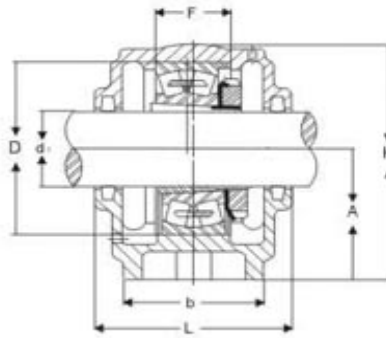
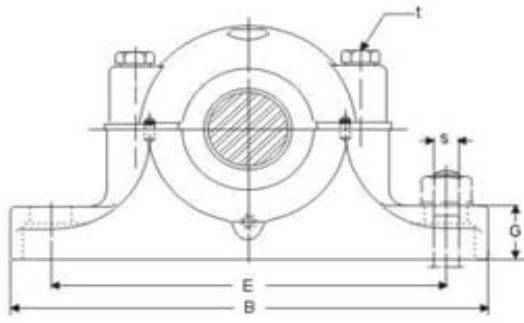


S.UCFPL200 Series

Housing No.	BEARING BORE DIA. d (mm)	Dimensions(mm)									Bolt Dia
		a	e	g	l	s	z	i	Bi	n	
S.UCFPL201	12	86	63.5	13.4	27.8	11	36.3	18	31	12.7	M10
S.UCFPL202	15	86	63.5	13.4	27.8	11	36.3	18	31	12.7	M10
S.UCFPL203	17	86	63.5	13.4	27.8	11	36.3	18	31	12.7	M10
S.UCFPL204	20	86	63.5	13.4	27.8	11	36.3	18	31	12.7	M10
S.UCFPL205	25	95	70	14	28	11	36.7	17	34	14.3	M10
S.UCFPL206	30	107	83	14.3	31.5	11	41.4	19.2	38.1	15.9	M10
S.UCFPL207	35	118	92	15.5	34.8	13	46.9	21.5	42.9	17.5	M12
S.UCFPL208	40	130	102	17	37.5	14	53.2	23	49.2	19	M12

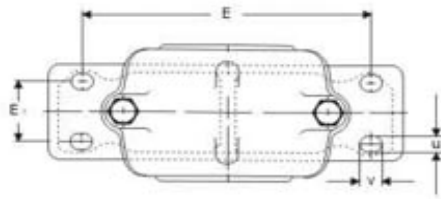
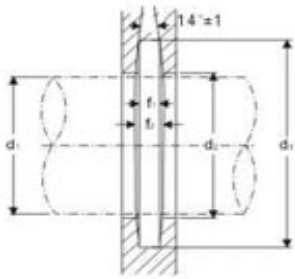
MODE OF LOAD	BREAKING POINT OF HOUSINGS(N)						
	204	205	206	207	208	209	210
	12590	13000	17000	18500	19100	193350	19650
	10250	12150	17700	18500	19250	19350	19620
	3250	3350	3380	3520	3790	3850	3990

SN-SSN 500 SERIES



Housing No.	Dimensions (mm)															d2H12 Metric
	Shaft Dia. d1		D H8	B	b	G	F H13	A h13	L	H	E	E1	L1	X	Z	
	m m.	in.														
SN 505	20	3/4	52	165	46	22	25	40	67	75	130	25	-	22	-	21.5
SN 506	25	1	62	185	52	22	30	50	77	90	150	25	-	22	-	26.5
SN 507	30	1 1/8	72	185	52	22	33	50	82	95	150	25	-	24	-	31.5
SN 508	35	1 1/4	80	205	60	25	33	60	85	110	170	30	-	26	-	36.5
SN SSN 509	40	1 1/2	85	205	60	25	31	60	85	112	170	30	-	28	-	41.5
SN SSN 510	45	1 3/4	90	205	60	25	33	60	90	115	170	30	-	28	-	46.5
SN SSN 511	50	2	100	255	70	28	33	70	95	130	210	35	160	30	54	51.5
SN SSN 512	55	2 1/8	110	255	70	30	38	70	105	135	210	35	172	32	62	56.5
SN SSN 513	60	2 1/4	120	275	80	30	43	80	110	150	230	40	172	36	62	62
SN SSN 515	65	2 1/2	130	280	80	30	41	80	115	155	230	40	182	38	68	67
SN SSN 516	70	2 3/4	140	315	90	32	43	95	120	175	260	50	184	40	68	72
SN SSN 517	75	3	150	320	90	32	46	95	125	185	260	50	184	42	70	77
SN SSN 518	80	3 1/4	160	345	100	35	62.4	100	145	195	290	50	204	50	81	82
SN SSN 519	85	-	170	345	100	35	53	112	140	210	290	50	-	-	-	87
SN SSN 520	90	3 1/2	180	380	110	40	70.3	112	160	218	320	60	224	54	90	92
SN SSN 522	100	4	200	410	120	45	80	125	175	240	350	70	232	60	92	102
SN SSN 524	110	4 1/4	215	410	120	45	86	140	185	270	350	70	248	64	95	113
SN SSN 526	115	4 1/2	230	445	130	50	90	150	190	290	380	70	268	64	100	118
SN SSN 528	125	5	250	500	150	50	98	150	205	305	420	80	286	70	108	128
SN SSN 530	135	5 1/4	270	530	160	60	106	160	220	325	450	90	304	76	113	138
SN SSN 532	140	5 1/2	290	550	160	60	114	170	235	345	470	90	320	80	122	143

SN-SSN 500 SERIES



Notes:

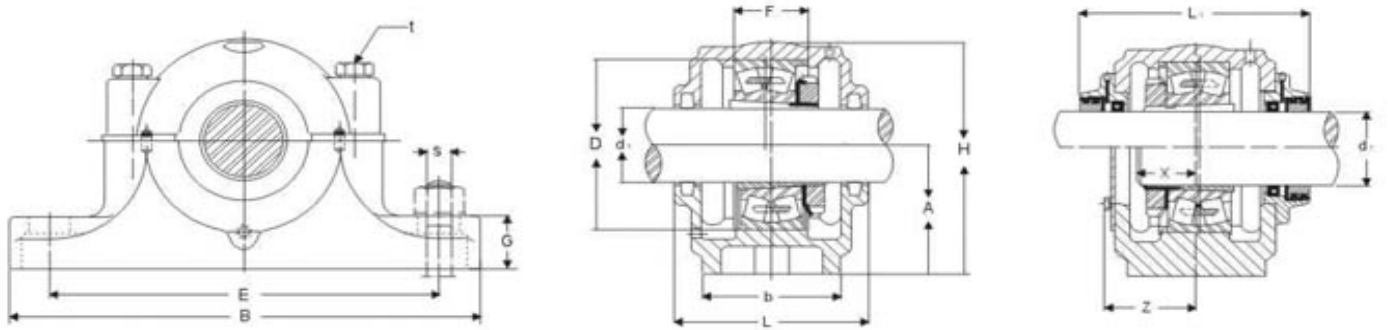
Foot of standard housing SSN type is solid without mounting holes or can be precast as 2-bolt (with prefix T) or 4-bolt mounting holes (with prefix F).

Taconite seal will be supplied as optional for perfect arrangement in severe operating conditions to prevent contamination from fine abrasive dust.

ZF rubber seals can be supplied upon request.

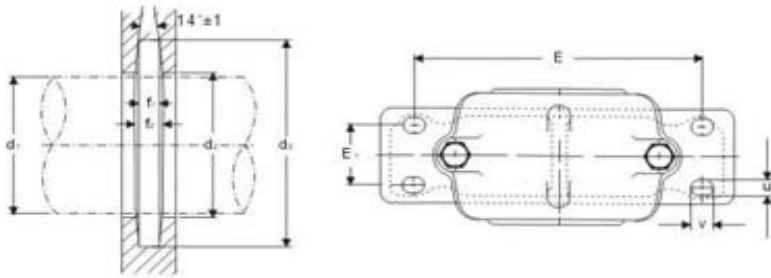
d3 H12	t	f1 H13	f2	u	v	S				Bearing No.		Adapter Sleeve		Locating Ring	
						Wt.(kg)		Self-Align Ball	Spherical Roller	Metric	Inch	No.	Qty		
						2 bolt	4 bolt							SN5	SSN5
31	M8	3	4.2	15	20	M12	M8	1.5	2.3	1205K	-	H205	HE205	52x5	2
										2205K	22205K	H305	HE305	52x7	1
38	M8	4	5.4	15	20	M12	M10	1.74	2.8	1206K	-	H206	HE206	62x7	2
										2206K	22206K	H306	HE306	62x10	1
43	M10	4	5.4	15	20	M12	M10	1.9	3.2	1207K	-	H207	HE207	72x8	2
										2207K	22207K	H307	HE307	72x10	1
48	M10	4	5.4	15	20	M12	M10	2.63	3.2	1208K	-	H208	HE208	80x7.5	2
										2208K	22208K	H308	HE308	80x10	1
53	M10	4	5.4	15	20	M12	M10	2.64	3.7	1209K	-	H209	HE209	85x6	2
										2209K	22209K	H309	HE309	85x8	1
58	M10	4	5.4	15	20	M12	M10	2.8	3.8	1210K	-	H210	HE210	90x6.5	2
										2210K	22210K	H310	HE310	90x10	1
67	M12	5	6.9	18	23	M16	M12	4.32	6.2	1211K	-	H211	HE211	100x6	2
										2211K	22211K	H311	HE311	100x8	1
72	M12	5	6.9	18	23	M16	M12	4.99	6.5	1212K	-	H212	HE212	110x8	2
										2212K	22212K	H312	HE312	110x10	1
77	M12	5	6.8	18	23	M16	M12	5.64	8.3	1213K	-	H213	HE213	120x10	2
										2213K	22213K	H313	HE313	120x12	1
82	M12	5	6.8	18	23	M16	M12	6.19	9.0	1215K	-	H215	HE215	130x8	2
										2215K	22215K	H315	HE315	130x10	1
89	M16	6	8.1	22	27	M20	M12	8.17	12.1	1216K	-	H216	HE216	140x8.5	2
										2216K	22216K	H316	HE316	140x10	1
94	M16	6	8.1	22	27	M20	M12	9.37	12.2	1217K	-	H217	HE217	150x9	2
										2217K	22217K	H317	HE317	150x10	1
99	M16	6	8.1	22	27	M20	M16	11.5	15.2	1218K	-	H218	HE218	160x16.2	2
										2218K	22218K	H318	HE318	160x11.2	2
104	M16	6	8.1	22	28	M20	M16	13.5	17.7	1219K	-	H219	HE219	170x10.5	2
										-	22219K	H319	HE319	170x10	1
111	M20	7	9.3	26	32	M24	M16	16.3	20.5	2220K	22220K	H320	HE320	180x12.1	2
										-	23220K	H2320	HE2320	180x10	1
125	M20	8	10.8	26	32	M24	M16	25.1	29.2	2222K	22222K	H322	HE322	200x13.5	2
										-	23222K	H2322	HE2322	200x10	1
135	M20	8	10.7	26	34	M24	M16	27.2	33	-	22224K	H3124	HE3124	215x14	2
										-	23224K	H2324	HE2324	215x10	1
140	M24	8	10.7	28	35	M24	M20	35.2	40.9	-	22226K	H3126	HE3126	230x13	2
										-	23226K	H2326	HE2326	230x10	1
154	M24	9	12.2	34	44	M30	M24	43.7	48.6	-	22228K	H3128	HE3128	250x15	2
										-	23228K	H2328	HE2328	250x10	1
164	M24	9	12.2	34	42	M30	M24	45.3	56.2	-	22230K	H3130	HE3130	270x16.5	2
										-	23230K	H2330	HE2330	270x10	1
173	M24	10	13.7	32	44	M30	M24	50.75	68.5	-	22232K	H3132	HE3132	290x17	2
										-	23232K	H2332	HE2332	290x10	1

SN-SSN 600 SERIES



Housing No.	Dimensions (mm)															
	Shaft Dia. d1		D H8	B	b	G	F H13	A h13	L	H	E	E1	L1	X	d2H12 Metric	d3 H12
	mm.	In.														
SN 605	20	3/4	62	185	52	22	34	50	80	90	150	25	-	27	21.5	31
SN 606	25	1	72	185	52	22	37	50	82	95	150	25	-	27	26.5	38
SN 607	30	1 1/8	80	205	60	25	41	60	90	110	170	30	-	32	31.5	43
SN 608	35	1 1/4	90	205	60	25	43	60	95	115	170	30	-	34	36.5	48
SN SSN 609	40	1 1/2	100	255	70	28	46	70	105	130	210	35	-	36	41.5	53
SN SSN 610	45	1 3/4	110	255	70	30	50	70	115	135	210	35	-	39	46.5	58
SN SSN 611	50	2	120	275	80	30	53	80	120	150	230	40	185	40	51.5	67
SN SSN 612	55	2 1/8	130	280	80	30	56	80	125	155	230	40	185	44	56.5	72
SN SSN 613	60	2 1/4	140	315	90	32	58	95	130	175	260	50	200	46	62	77
SN SSN 615	65	2 1/2	160	345	100	35	65	100	140	195	290	50	210	51	67	82
SN SSN 616	70	2 3/4	170	345	100	35	68	112	145	212	290	50	210	52	72	89
SN SSN 617	75	3	180	380	110	40	70	112	155	218	320	60	220	56	77	94
SN SSN 618	80	3 1/4	190	400	110	33	74	112	160	230	320	60	225	58	82	99
SN SSN 619	85	-	200	420	120	36	77	125	170	245	350	70	235	60	87	104
SN SSN 620	90	3 1/2	215	420	120	38	83	140	175	280	350	70	240	64	92	111
SN SSN 622	100	4	240	460	130	40	90	150	190	300	390	70	258	69	102	125
SN SSN 624	110	4 1/4	260	540	160	50	96	160	205	325	450	90	280	73	113	135
SN SSN 626	115	4 1/2	280	560	160	50	103	170	215	350	470	90	300	77	118	140
SN SSN 628	125	5	300	630	170	55	112	180	235	375	520	90	320	83	128	154
SN SSN 630	135	5 1/4	320	680	180	55	118	190	245	395	560	90	340	88	138	164
SN SSN 632	140	5 1/2	340	710	190	60	124	200	255	415	580	100	350	93	143	173

SN-SSN 600 SERIES



Notes:

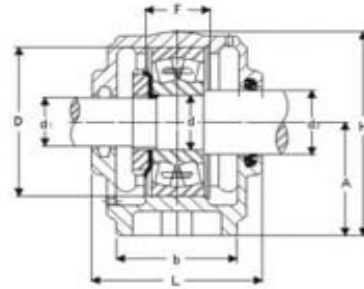
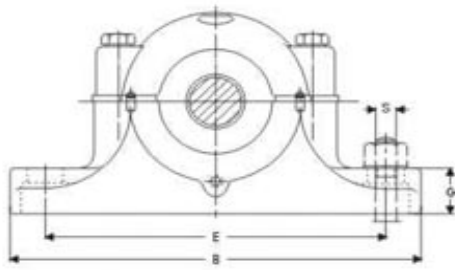
Foot of standard housing SSN type is solid without mounting holes or can be precast as 2-bolt (with prefix T) or 4-bolt mounting holes (with prefix F).

Taconite seal will be supplied as optional for perfect arrangement in severe operating conditions to prevent contamination from fine abrasive dust.

ZF rubber seals can be supplied upon request.

t	f1 H13	f2	u	v	S				Bearing No.		Adapter Sleeve		Locating Ring	
					2 bolt	4 bolt	Wt.(kg)		Self-Alig Ball	Spherical Roller	Metric	In.	No.	Qty
							SN6	SSN6						
M8	3	4.2	16	20	M12	M10	2.11	-	1305K	-	H305	HE305	62x8.5	2
									2305K		H2305	HE2305	62x10	1
M10	4	5.4	16	20	M12	M10	2.09	-	1306K	-	H306	HE306	72x9	2
									2306K		H2306	HE2306	72x10	1
M10	4	5.4	16	20	M12	M10	3.4	4.1	1307K	-	H307	HE307	80x10	2
									2307K		H2307	HE2307	80x10	1
M10	4	5.4	15	24	M12	M10	3.6	4.7	1308K	21308K	H308	HE308	90x10	2
									2308K	22308K	H2308	HE2308	90x10	1
M12	4	5.4	19	25	M16	M12	5.3	6.8	1309K	21309K	H309	HE309	100x10.5	2
									2309K	22309K	H2309	HE2309	100x10	1
M12	4	5.4	18	23	M16	M12	5.5	6.8	1310K	21310K	H310	HE310	110x11.5	2
									2310K	22310K	H2310	HE2310	110x10	1
M12	5	6.9	20	28	M16	M12	6.9	9.0	1311K	21311K	H311	HE311	120x12	2
									2311K	22311K	H2311	HE2311	120x10	1
M12	5	6.9	20	28	M16	M12	8.8	10.5	1312K	21312K	H312	HE312	130x12.5	2
									2312K	22312K	H2312	HE2312	130x10	1
M16	5	6.8	22	30	M20	M12	9.8	12.4	1313K	21313K	H313	HE313	140x12.5	2
									2313K	22313K	H2313	HE2313	140x10	1
M16	5	6.8	23	28	M20	M16	13.0	16.4	1315K	21315K	H315	HE315	160x14	2
									2315K	22315K	H2315	HE2315	160x10	1
M16	6	8.1	23	30	M20	M16	15.5	19.7	1316K	21316K	H316	HE316	170x14.5	2
									2316K	22316K	H2316	HE2316	170x10	1
M20	6	8.1	26	35	M24	M16	16.3	20.7	1317K	21317K	H317	HE317	180x14.5	2
									2317K	22317K	H2317	HE2317	180x10	1
M20	6	8.1	27	38	M24	M16	20.0	24	1318K	-	H318	HE318	190x15.5	2
									2318K	22318K	H2318	HE2318	190x10	1
M20	6	8.1	28	36	M24	M16	28.0	29.7	1319K	-	H319	HE319	200x16	2
									2319K	22319K	H2319	HE2319	200x10	1
M20	7	9.3	27	33	M24	M16	30.5	37.1	1320K	-	H320	HE320	215x18	2
									2320K	22320K	H2320	HE2320	215x10	1
M20	8	10.0	28	32	M24	M16	42	49.2	1322K	-	H322	HE322	240x20	2
									2322K	22322K	H2322	HE2322	240x10	1
M24	8	10.7	34	42	M30	M20	59	72	-	22324K	H2324	HE2324	260x10	1
M24	8	10.7	34	42	M30	M20	61.5	80.9	-	22326K	H2326	HE2326	280x10	1
M30	9	12.2	34	46	M30	M20	88	105	-	22328K	H2328	HE2328	300x10	1
M30	9	12.2	38	44	M30	M20	89	115	-	22330K	H2330	HE2330	320x10	1
M30	10	13.7	40	52	M36	M24	127	145	-	22332K	H2332	HE2332	340x10	1

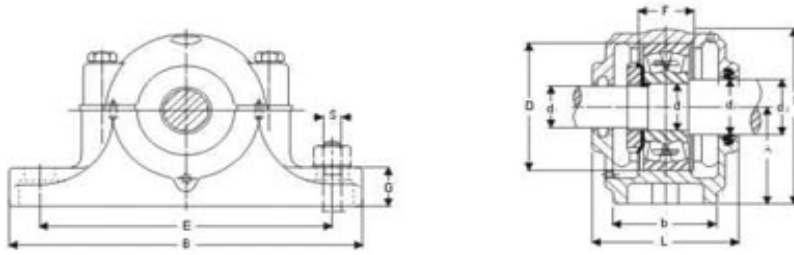
SNZ-SSNZ 200 SERIES



Housing No.	Shaft Dia.			Dimensions (mm)													ZF Seal		Locating Ring		
	D	d1	d2	D HB	B	b	G	F H13	A h13	L	H	E	Bolt S	Self-Alig Ball	Spherical Roller	Lock Nut	Lock Washer	d1	d2	No.	Qty
SNZ 205	25	20	30	52	185	46	22	25	40	67	75	130	M12	1205 2205	- 22205	AN05	AW05	ZF5	ZF7	52x5 52x7	2 1
SNZ 206	30	25	35	62	185	52	22	30	50	77	90	150	M12	1206 2206	- 22206	AN06	AW06	ZF6	ZF8	62x7 62x10	2 1
SNZ 207	35	30	45	72	185	52	22	33	50	82	95	150	M12	1207 2207	- 22207	AN07	AW07	ZF7	ZF10	72x8 72x10	2 1
SNZ 208	40	35	50	80	205	60	25	33	60	85	110	170	M12	1208 2208	- 22208	AN08	AW08	ZF8	ZF11	80x7.5 80x10	2 1
SNZ SSNZ 209	45	40	55	85	205	60	25	31	60	85	112	170	M12	1209 2209	- 22209	AN09	AW09	ZF9	ZF12	85x6 85x8	2 1
SNZ SSNZ 210	50	45	60	90	205	60	25	33	60	90	115	170	M12	1210 2210	- 22210	AN10	AW10	ZF10	ZF13	90x6.5 90x10	2 1
SNZ SSNZ 211	55	50	65	100	255	70	28	33	70	95	130	210	M16	1211 2211	- 22211	AN11	AW11	ZF11	ZF15	100x6 100x8	2 1
SNZ SSNZ 212	60	55	70	110	255	70	30	38	70	105	135	210	M16	1212 2212	- 22212	AN12	AW12	ZF12	ZF16	110x8 110x10	2 1
SNZ SSNZ 213	65	60	75	120	275	80	30	43	80	110	150	230	M16	1213 2213	- 22213	AN13	AW13	ZF13	ZF17	120x10 120x12	2 1
SNZ SSNZ 214	70	60	80	125	275	80	30	44	80	115	155	230	M16	1214 2214	- 22214	AN14	AW14	ZF13	ZF18	125x10 125x13	2 1
SNZ SSNZ 215	75	65	85	130	280	80	30	41	80	115	155	230	M16	1215 2215	- 22215	AN15	AW15	ZF15	ZF19	130x8 130x10	2 1
SNZ SSNZ 216	80	70	90	140	315	90	32	43	95	120	175	260	M20	1216 2216	- 22216	AN16	AW16	ZF16	ZF20	140x8.5 140x10	2 1
SNZ SSNZ 217	85	75	95	150	320	90	32	46	95	125	185	260	M20	1217 2217	- 22217	AN17	AW17	ZF17	ZF21	150x9 150x10	2 1
SNZ SSNZ 218	90	80	100	160	345	100	35	62.4	100	145	195	290	M20	1218 2218	- 23218	AN18	AW18	ZF18	ZF22	160x16.2 160x11.2 160x10	2 2 1
SNZ SSNZ 219	95	85	110	170	345	100	35	53	112	140	210	290	M20	1219 2219	- 22219	AN19	AW19	ZF19	ZF24	170x10.5 170x10	2 1
SNZ SSNZ 220	100	90	115	180	380	110	40	70.3	112	160	218	320	M24	2220 23220	- 22220	AN20	AW20	ZF20	ZF26	180x12.1 180x10	2 1
SNZ SSNZ 222	110	100	125	200	410	120	45	80	125	175	240	350	M24	2222	22222 23222	AN22	AW22	ZF22	ZF28	200x13.5 120x10	2 1
SNZ SSNZ 224	120	110	135	215	410	120	45	86	140	185	270	350	M24	-	22224 23224	AN24	AW24	ZF24	ZF30	215x14 215x10	2 1
SNZ SSNZ 226	130	115	145	230	445	130	50	90	150	190	290	380	M24	-	22226 23226	AN26	AW26	ZF26	ZF33	230x13 230x10	2 1
SNZ SSNZ 228	140	125	155	250	500	150	50	98	150	205	305	420	M30	-	22228 23228	AN28	AW28	ZF28	ZF35	250x15 250x10	2 1
SNZ SSNZ 230	150	135	165	270	530	160	60	106	160	220	325	450	M30	-	22230 23230	AN30	AW30	ZF30	ZF37	270x16.5 270x10	2 1
SNZ SSNZ 232	160	140	175	290	550	160	60	114	170	235	345	470	M30	-	22232 23232	AN32	AW32	ZF32	ZF39	290x17 290x10	2 1

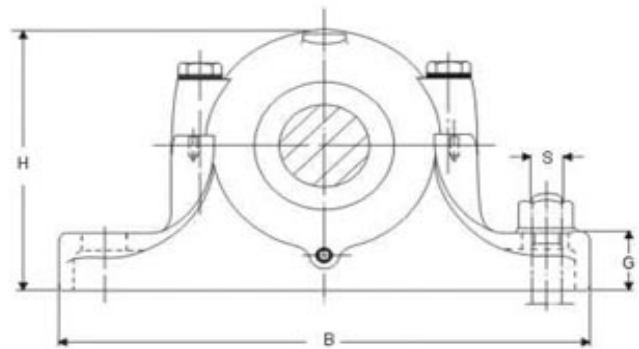
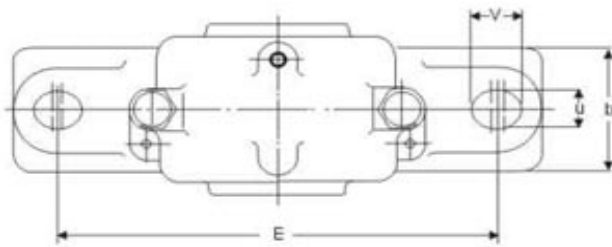
Notes: For stepped shaft bore, use SNZ 2xx/3xx.
For same shaft bore, use SN 2xx/3xx.

SNZ-SSNZ 300 SERIES



Housing No.	Shaft Dia.			Dimensions (mm)														ZF Seal		Locating Ring	
	d	d1	d2	D H8	B	b	G	F H13	A h13	L	H	E	Bolt S	Self-Alig Ball	Spherical Roller	Lock Nut	Lock Washer	d1	d2	No.	Qty
SNZ 305	25	20	30	60	185	52	22	34	50	80	90	150	M12	1305 2305	- -	AN05	AW05	ZF5	ZF7	62x8.5 62x10	2 1
SNZ 306	30	25	35	72	185	52	22	37	50	82	95	150	M12	1306 2306	- -	AN06	AW06	ZF6	ZF8	72x9 72x10	2 1
SNZ 307	35	30	45	80	205	60	25	41	60	90	110	170	M12	1307 2307	- -	AN07	AW07	ZF7	ZF10	80x10 80x10	2 1
SNZ 308	40	35	50	90	205	60	25	43	60	95	115	170	M12	1308 2308	21308 22308	AN08	AW08	ZF8	ZF11	90x10 90x10	2 1
SNZ SSNZ 309	45	40	55	100	255	70	28	46	70	105	130	210	M16	1309 2309	21309 22309	AN09	AW09	ZF9	ZF12	100x10.5 100x10	2 1
SNZ SSNZ 310	50	45	60	110	255	70	30	50	70	115	135	210	M16	1310 2310	21310 22310	AN10	AW10	ZF10	ZF13	110x11.5 110x10	2 1
SNZ SSNZ 311	55	50	65	120	275	80	30	53	80	120	150	230	M16	1311 2311	21311 22311	AN11	AW11	ZF11	ZF15	120x12 120x10	2 1
SNZ SSNZ 312	60	55	70	130	280	80	30	56	80	125	155	230	M16	1312 2312	21312 22312	AN12	AW12	ZF12	ZF16	130x12.5 130x10	2 1
SNZ SSNZ 313	65	60	75	140	315	90	32	58	95	130	175	260	M20	1313 2313	21313 22313	AN13	AW13	ZF13	ZF17	140x12.5 140x10	2 1
SNZ SSNZ 314	70	60	80	150	320	90	32	61	95	130	185	262	M20	1314 2314	21314 22314	AN13	AW13	ZF13	ZF18	150x13 150x10	2 1
SNZ SSNZ 315	75	65	85	160	345	100	35	65	100	140	195	290	M20	1315 2315	21315 22315	AN15	AW15	ZF15	ZF19	160x14 160x10	2 1
SNZ SSNZ 316	80	70	90	170	345	100	35	68	112	145	212	290	M20	1316 2316	21316 22316	AN16	AW16	ZF16	ZF20	170x14.5 170x10	2 1
SNZ SSNZ 317	85	75	95	180	380	110	40	70	112	155	218	320	M24	1317 2317	21317 22317	AN17	AW17	ZF17	ZF21	180x14.5 180x10	2 1
SNZ SSNZ 318	90	80	100	190	400	110	33	74	112	160	230	320	M24	1318 2318	21318 22318	AN18	AW18	ZF18	ZF22	190x15.5 190x10	2 1
SNZ SSNZ 319	95	85	110	200	420	120	36	77	125	170	245	350	M24	1319 2319	21319 22319	AN19	AW19	ZF19	ZF24	200x16 200x10	2 1
SNZ SSNZ 320	100	90	115	215	420	120	38	83	140	175	280	350	M24	1320 2320	21320 22320	AN20	AW20	ZF20	ZF26	215x18 215x10	2 1
SNZ SSNZ 322	110	100	125	240	460	130	40	90	150	190	300	390	M24	-	22322	AN22	AW22	ZF22	ZF28	240x20 240x10	2 1
SNZ SSNZ 324	120	110	135	260	540	160	50	96	160	205	325	450	M30	-	22324	AN24	AW24	ZF24	ZF30	260x10	1
SNZ SSNZ 326	130	115	150	280	560	160	50	103	170	215	350	470	M30	-	22326	AN26	AW26	ZF26	ZF34	280x10	1
SNZ SSNZ 328	140	125	160	300	630	170	55	112	180	235	375	520	M30	-	22328	AN28	AW28	ZF28	ZF36	300x10	1
SNZ SSNZ 330	150	135	170	320	680	180	55	118	190	245	395	560	M30	-	22330	AN30	AW30	ZF30	ZF38	320x10	1
SNZ SSNZ 332	160	140	180	340	710	190	60	124	200	255	415	580	M36	-	22332	AN32	AW32	ZF32	ZF40	340x10	1

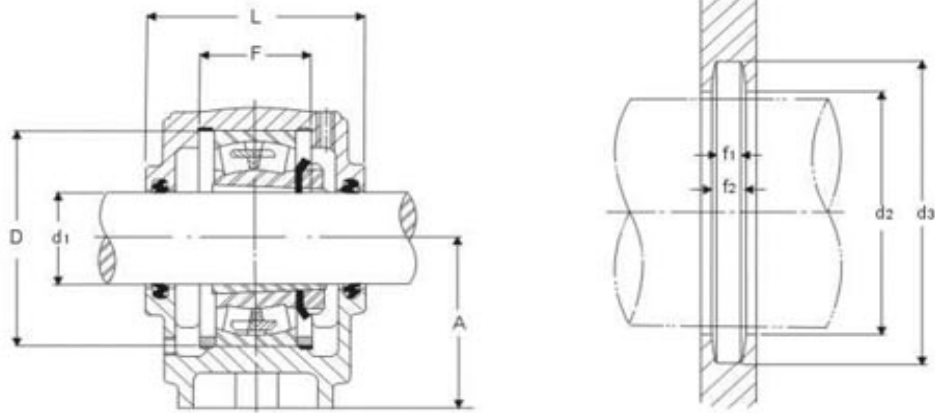
SN 3000, SN 3100 SERIES



Housing No.	Dimensions (mm)														
	d1	D H8	B	b	G	F H13	A h13	L	H	E	u	v	t	d2 H12	d3 H12
SN 3024	110	180	380	110	40	56	112	150	217	320	26	35	M20	113	135
SN 3026	115	200	410	120	45	62	125	160	240	350	26	35	M20	118	140
SN 3028	125	210	410	120	45	63	140	170	260	350	26	35	M20	128	124
SN 3030	135	225	445	130	50	66	150	175	283	380	28	38	M24	138	164
SN 3032	140	240	460	130	50	70	150	190	290	390	28	38	M24	143	173
SN 3034	150	260	530	160	60	77	160	200	310	450	33	42	M24	153	183
SN 3036	160	280	550	160	60	84	170	210	330	470	33	42	M24	163	193
SN 3038	170	290	550	160	60	85	170	210	335	470	33	42	M24	173	203
SN 3040	180	310	610	170	60	92	180	235	355	515	33	42	M24	183	213

SN 3122	100	180	380	110	40	66	112	155	217	320	26	35	M20	102	125
SN 3124	110	200	410	120	45	72	125	165	240	350	26	35	M20	113	135
SN 3126	115	210	410	120	45	74	140	170	260	350	26	35	M20	118	140
SN 3128	125	225	445	130	50	78	150	180	283	380	28	38	M24	128	154
SN 3130	135	250	500	150	50	90	150	200	295	420	33	42	M24	138	164
SN 3132	140	270	530	160	60	96	160	215	315	450	33	42	M24	143	173
SN 3134	150	280	550	160	60	98	170	220	330	470	33	42	M24	153	183
SN 3136	160	300	610	170	70	106	180	230	355	520	33	42	M30	163	193
SN 3138	170	320	650	180	70	114	190	240	375	560	33	42	M30	173	203

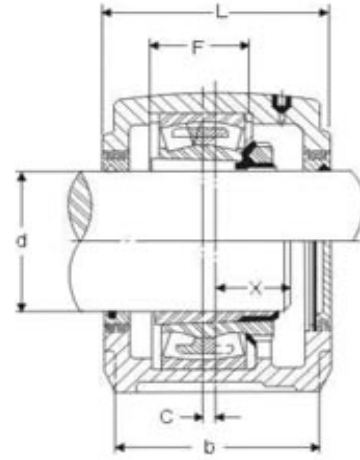
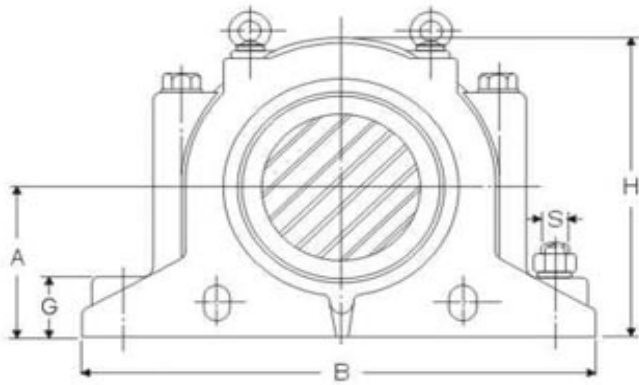
SN 3000, SN 3100 SERIES



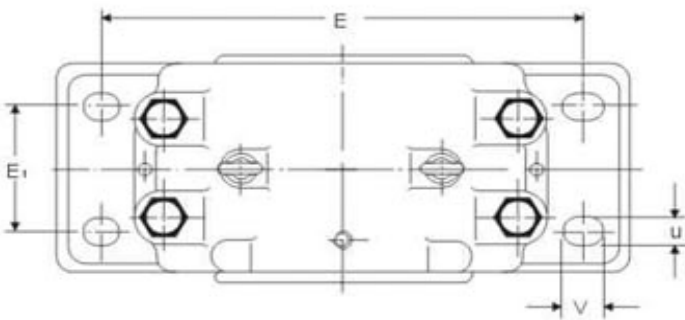
		ZF Seal	Bolt S	Wt (Kg)	Bearing No.	Adapter Sleeve	Locating Ring		Housing No.
f1	f2						No.	Qty	
8	10.7	ZF24	M24	17	23024K	H3024	SR180X10	1	SN3024
8	10.7	ZF26	M24	20	23026K	H3026	SR200X10	1	SN3026
9	12.2	ZF28	M24	25	23028K	H3028	SR210X10	1	SN3028
9	12.2	ZF30	M24	30	23030K	H3030	SR225X10	1	SN3030
10	13.7	ZF32	M24	36	23032K	H3032	SR240X10	1	SN3032
10	13.7	ZF34	M30	51	23034K	H3034	SR260X10	1	SN3034
10	13.7	ZF36	M30	54	23036K	H3036	SR280X10	1	SN3036
10	13.7	ZF38	M30	51	23038K	H3038	SR290X10	1	SN3038
10	13.7	ZF40	M30	61	23040K	H3040	SR310X10	1	SN3040

8	10.8	ZF22	M24	18	23122K	H3122	SR180X10	1	SN3122
8	10.7	ZF24	M24	21	23124K	H3124	SR200X10	1	SN3124
9	10.7	ZF26	M24	26	23126K	H3126	SR210X10	1	SN3126
9	12.2	ZF28	M24	32	23128K	H3128	SR225X10	1	SN3128
10	12.2	ZF30	M30	40	23130K	H3130	SR250X10	1	SN3130
10	13.7	ZF32	M30	50	23132K	H3132	SR270X10	1	SN3132
10	13.7	ZF34	M30	57	23134K	H3134	SR280X10	1	SN3134
10	13.7	ZF36	M30	70	23136K	H3136	SR300X10	1	SN3136
10	13.7	ZF38	M30	85	23138K	H3138	SR320X10	1	SN3138

SD 3100 SERIES

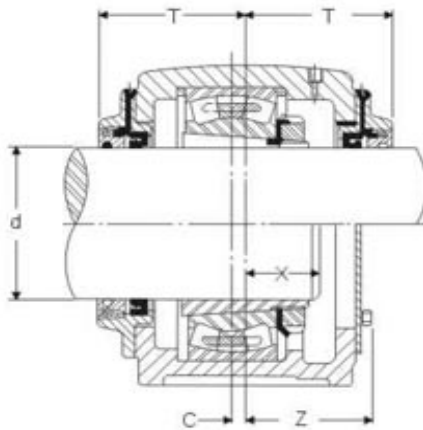


Triple "TS" Seal
Standard on SD Housings



Housing No.	Shaft Dia. D		A	B	F
	mm.	in.			
SD 3134	150	6	170	510	108
SD 3136	160	6 1/2	180	530	116
SD 3138	170	6 3/4	190	560	124
SD 3140	180	7	210	610	132
SD 3144	200	8	220	640	140
SD 3148	220	9	240	700	148
SD 3152	240	9 1/2	260	770	164
SD 3156	260	10	280	790	166
SD 3160	280	11	300	830	180
SD 3164	300		320	880	196
SD 3168	320		340	965	210
SD 3172	340		360	1040	212
SD 3176	360		380	1120	214
SD 3180	380		400	1245	220

SD 3100 SERIES



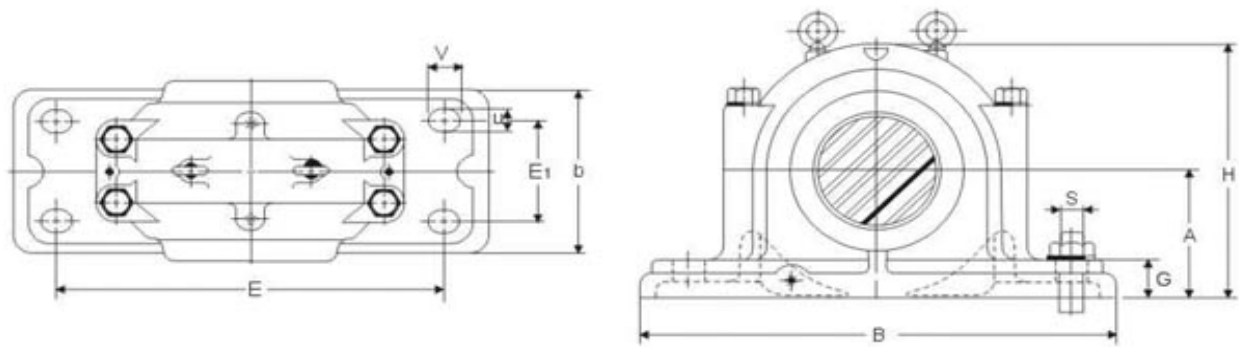
Ts Taconite Type Seal

Plummer blocks of series SD 31 TS are used for large spherical roller bearings of Series 231xx CK with adapter sleeves. They are equipped with two labyrinth sealing collars having a push fit on the shaft. A rubber O-ring is fitted between the collar and shaft to ensure rotating together.

Special bosses are provided on the lower half of the housing to allow easy modification for oil lubrication. The bosses can be drilled and tapped to take an oil level gauge and drain plug. An oil circulating system can also be connected. The housings can carry very heavy loads and are designed for heavy duty applications. In severe condition, taconite seal is available to exclude fine abrasive dust and to retain lubricant.

Dimensions (mm)												Bolt Dia.	Spherical Roller Bearing	Adapter Sleeve		Wt. (kg)	Locating Ring	
E	b	G	H	L	C	E1	X	T	Z	U	V			S	Metric		In.	No.
430	180	70	335	230	14	100	65	154	120	28	35	M24	23134K	H3134	HE3134	66	280x10	2
450	190	75	355	240	15	110	68	159	130	30	38	M24	23136K	H3136	HE3136	75	300x10	2
480	210	80	375	260	10	120	80	168	140	35	48	M24	23138K	H3138	HE3138	87	320x10	2
510	230	85	410	280	10	130	82	178	150	35	42	M30	23140K	H3140	He3140	113	340x10	2
540	240	90	435	290	12	140	90	184	155	36	46	M30	23144K	H3144	-	129	370x10	2
600	260	95	475	310	12	150	100	194	160	38	46	M30	23148K	H3148	-	163	400x10	2
650	280	100	515	320	13	160	105	200	170	45	60	M36	23152K	H3152	-	199	440x10	2
670	280	105	550	330	16	160	105	200	170	45	60	M36	23156K	H3156	-	226	460x10	2
710	310	110	590	350	22	190	110	213	190	44	64	M36	23160K	H3160	-	283	500x10	2
750	330	115	630	370	23	200	120	224	200	45	72	M36	23164K	H3164	-	346	540x10	2
840	380	120	670	390	25	240	135	244	220	52	70	M45	23168K	H3168	-	514	580x10	2
890	390	130	720	400	22	255	145	249	225	60	77	M50	23172K	H3172	-	594	600x10	2
980	400	135	750	405	22	255	145	260	240	68	88	M55	23176K	H3176	-	702	620x10	2
1050	420	140	790	425	22	270	150	276	260	75	96	M60	23180K	H3180	-	740	650x10	2

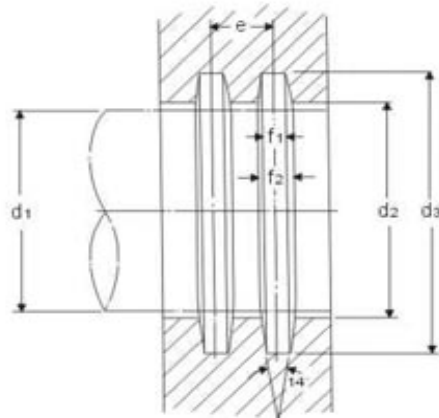
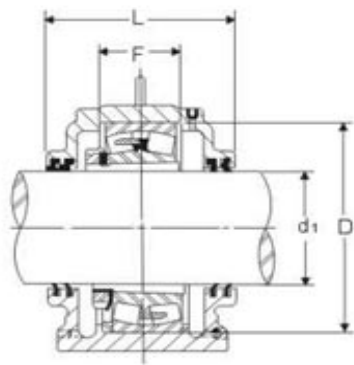
SD 500,SD 600 SERIES



Housing No.	Dimensions (mm)														
	d1	D H8	A h13	B	E	b	G	F H13	H	L	E1	u	v	d2 H12	d3 H12
SD 534	150	310	180	620	510	230	60	96	360	270	140	35	52	153	183
SD 536	160	320	190	650	540	240	60	96	380	280	150	35	52	163	193
SD 538	170	340	200	700	570	260	65	102	400	290	160	35	55	173	203
SD 540	180	360	210	740	610	270	65	108	420	300	170	35	55	183	213
SD 544	200	400	240	820	680	300	70	118	475	330	190	42	62	203	240
SD 548	220	440	260	880	740	310	85	130	515	340	200	42	62	223	260
SD 552	240	480	280	940	790	340	85	140	560	370	210	42	62	243	286
SD 556	260	500	300	990	830	370	100	140	590	390	230	50	70	263	306
SD 560	280	540	325	1060	890	390	100	150	640	410	250	50	70	283	332
SD 564	300	580	355	1110	930	420	110	160	690	440	270	57	77	303	352

SD 634	150	360	210	740	610	270	65	130	420	300	170	35	55	153	183
SD 636	160	380	225	780	640	290	70	136	450	320	180	40	60	163	193
SD 638	170	400	240	820	680	300	70	142	475	330	190	40	60	173	203
SD 640	180	420	250	860	710	320	85	148	500	350	200	42	62	183	213
SD 644	200	460	280	920	770	330	85	155	550	360	210	42	62	203	240
SD 648	220	500	300	990	830	370	100	165	590	390	230	50	70	223	260
SD 652	240	540	325	1060	890	390	100	175	640	410	250	50	70	243	286
SD 656	260	580	355	1110	930	420	110	185	690	440	270	57	77	263	306

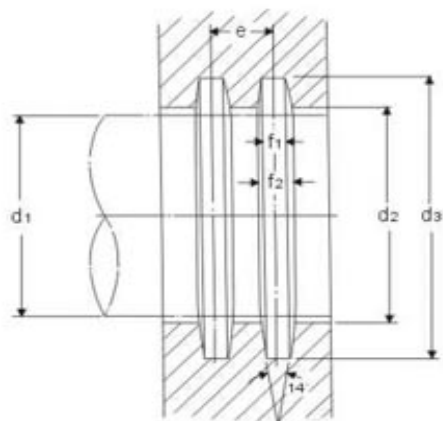
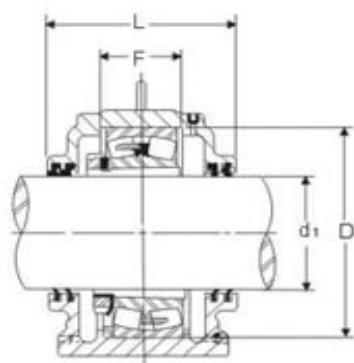
SD 500, SD 600 SERIES



t	f1	f2	e	ZF Seal	Bolt S	Wt. (kg)	Bearing No.	Adapter Sleeve	Locating Ring		Housing No.
									No.	Qty	
M24	10	13.7	20	ZF34	M30	92	22234K	H3134	SR310X10	1	SD 534
M24	10	13.7	20	ZF36	M30	110	22236K	H3136	SR320X10	1	SD 536
M30	10	13.7	20	ZF38	M30	125	22238K	H3138	SR340X10	1	SD 538
M30	10	13.7	20	ZF40	M30	150	22240K	H3140	SR360X10	1	SD 540
M30	11	15.5	22	ZF44	M36	176	22244K	H3144	SR400X10	1	SD 544
M36	11	15.5	22	ZF48	M36	217	22248K	H3148	SR440X10	1	SD 548
M36	12	17.3	24	ZF52	M36	273	22252K	H3152	SR480X10	1	SD 552
M36	12	17.3	24	ZF56	M42	325	22256K	H3156	SR500X10	1	SD 556
M36	13	19.0	25	ZF60	M42	404	22260K	H3160	SR540X10	1	SD 560
M42	13	19.0	25	ZF64	M48	492	22264K	H3164	SR580X10	1	SD 564

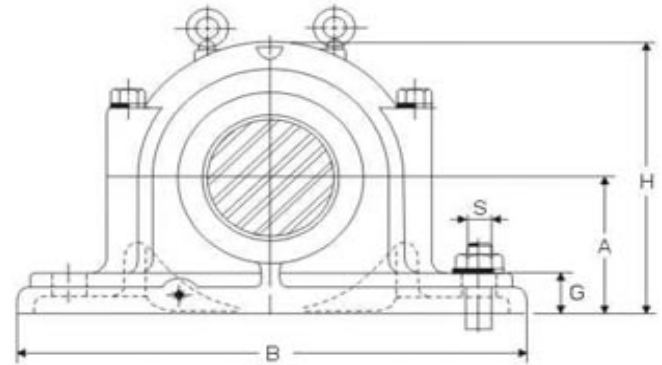
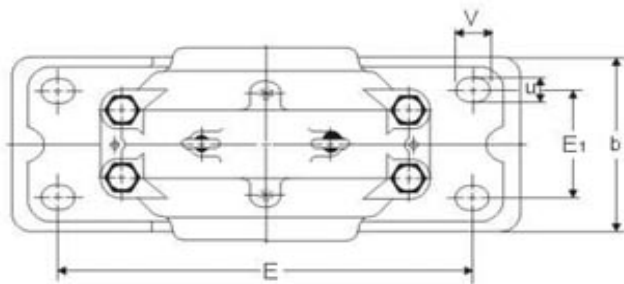
M30	10	13.7	20	ZF34	M30	142	22234K	H2334	SR360X10	1	SD 634
M30	10	13.7	20	ZF36	M36	161	22236K	H2336	SR380X10	1	SD 636
M30	10	13.7	20	ZF38	M36	177	22238K	H2338	SR400X10	1	SD 638
M36	10	13.7	20	ZF40	M36	210	22340K	H2340	SR420X10	1	SD 640
M36	11	15.5	22	ZF44	M36	270	22344K	H2344	SR460X10	1	SD 644
M36	11	15.5	22	ZF48	M42	336	22348K	H2348	SR500X10	1	SD 648
M36	12	17.3	24	ZF52	M42	418	22352K	H2352	SR540X10	1	SD 652
M42	12	17.3	24	ZF56	M48	509	22356K	H2356	SR580X10	1	SD 656

SD 3000 SERIES



Housing No.	Dimensions (mm)														
	d1	D H8	A h13	B	E	b	G	F H13	H	L	E1	u	v	d2 H12	d3 H12
SD 3034	150	260	160	540	450	200	50	77	320	230	110	35	52	153	183
SD 3036	160	280	170	560	470	220	50	84	340	250	120	35	52	163	193
SD 3038	170	290	170	560	470	220	50	85	345	250	120	35	52	173	203
SD 3040	180	310	180	620	510	230	60	92	360	270	140	35	55	183	213
SD 3044	200	340	200	700	570	260	65	100	400	290	160	35	55	203	240
SD 3048	220	360	210	740	610	270	65	102	420	300	170	35	55	223	260
SD 3052	240	400	240	820	680	300	70	114	475	330	190	42	62	243	286
SD 3056	260	420	250	860	710	320	85	116	500	350	200	42	62	263	306
SD 3060	280	460	280	920	770	330	85	128	550	360	210	42	62	283	332
SD 3064	300	480	280	940	790	340	85	131	560	370	210	42	62	303	352
SD 3068	320	520	310	1020	860	370	100	143	615	400	230	50	70	323	372
SD 3072	340	540	325	1060	890	390	100	144	640	410	250	50	70	343	392
SD 3076	360	560	340	1080	900	390	100	145	665	410	260	50	70	363	412

SD 300 SERIES



t	f1	f2	e	ZF Seal	Bolt S	Wt. (kg)	Bearing No.	Adapter Sleeve	Locating Ring		Housing No.
									No.	Qty	
M24	10	13.7	20	ZF34	M30	71	23034K	H3034	SR260X10	1	SD 3034
M24	10	13.7	20	ZF36	M30	77	23036K	H3036	SR280X10	1	SD 3036
M24	10	13.7	20	ZF38	M30	78	23038K	H3038	SR290X10	1	SD 3038
M24	10	13.7	20	ZF40	M30	85	23040K	H3040	SR310X10	1	SD 3040
M30	11	15.5	22	ZF44	M30	118	23044K	H3044	SR340X10	1	SD 3044
M30	11	15.5	22	ZF48	M30	136	23048K	H3048	SR360X10	1	SD 3048
M30	12	17.3	24	ZF52	M36	190	23052K	H3052	SR400X10	1	SD 3052
M36	12	17.3	24	ZF56	M36	242.2	23056K	H3056	SR420X10	1	SD 3056
M36	13	19.0	25	ZF60	M36	295	23060K	H3060	SR460X10	1	SD 3060
M36	13	19.0	25	ZF64	M36	291	23064K	H3064	SR480X10	1	SD 3064
M36	13	19.0	25	ZF68	M42	386	23068K	H3068	SR520X10	1	SD 3068
M36	13	19.0	25	ZF72	M42	434	23072K	H3072	SR540X10	1	SD 3072
M36	13	19.0	25	ZF76	M42	453	23076K	H3076	SR560X10	1	SD 3076