

Simmerrings and Rotary Seals

Catalog 2007

Your Technology Specialist

simrit®

The information in this product catalog is based on the experience gained in decades of research on the development and manufacture of seals and components for vibration control in the Freudenberg group. It represents the current state of our knowledge.

The sealing effect of many products in the catalog is, however, not provided solely by the component. Indeed, in the specific application this effect depends on other parameters such as installation position and contact area, the pressure applied, operating temperature, media to be sealed, lubrication, vibration control-related effects and any ingress of dirt from the outside. This and other, unknown, factors in practical use can have a significant effect on the seals.

Against this background, general statements on the function of the products in the catalog are not possible. Information in this catalog only represents recommended values that are not correct

in every application. We therefore recommend you to discuss your specific application with our advisory service. In cases with high or special loads, for example due to aggressive media, the seal should be selected in collaboration with us; here trials on reliability are often indispensable.

In the context of product optimisation we reserve the right to change, without prior notice, the product range, production sites, products and their manufacturing process as well as the information in this catalog.

All previous issues become invalid on publication of this issue of the catalog.

Duplication in any form requires express approval from Freudenberg Simrit GmbH & Co. KG, 69465 Weinheim, Germany.

© Freudenberg Simrit GmbH & Co. KG
All rights reserved.

Simrit, Your Technology Specialist for Seals and Vibration Control



Simmering®



Fluid Power



Hydraulic Accumulator



O-Rings



Liquid Silicon Products



Special Sealing Products



Vibration Control

Our unique service package sets standards in quality, functionality and cost effectiveness throughout the industry.

With its comprehensive product range and large number of services, Simrit provides a service package unique in the market for almost every application. Simrit employs its leading technological expertise so that you benefit: We analyse your entire system and fine-tune the individual components to each other in an optimum way. This means you get exactly the solution that best fulfils your requirements – cost effective and dependable. Reinforced by single sourcing that saves time and costs, you will find that Simrit is your ideal partner for all sealing- and vibration-related applications when it comes to complex systems.

We have been the leading experts in materials for decades, and this is a significant factor for success, exceptional performance and continuous technological advancement of our products. Famous product names such as Simmering®, Merkel, Integral Accumulator, ISC O-Ring or Lederer reflect this. Together with the fields of special sealing products and vibration technology, they are inseparably connected with the Simrit brand name and constitute the world's largest product range for all applications throughout industry.

As part of the Freudenberg Group, we draw upon established research, development and production expertise within the Group to constantly extend our technological lead through innova-

tive solutions for the purposes of – and in the service of – our global customers with their local market requirements. The close international cooperation of Simrit in Europe and America with our Japanese partner, NOK, in Asia provides you with consistent quality standards wherever our solutions are required. And with Simrit Service Centers in all industrial markets, our global sales network supports you and more than 100,000 other customers dependably and on a basis of mutual trust and cooperation at sites in every continent.

The Simrit service package at a glance:

- **World's largest product range**
Comprehensive solutions from a single source
- **Continuous innovations**
Technological prominence for the competitive advantage of our customers
- **Unique expertise in materials and high quality standards**
Leading know-how for safe and cost-effective applications
- **A huge number of integrated services**
Support from development up to continuous product deployment
- **Globality**
Global expertise with the knowledge of local market requirements

Your Simrit Partner





Elastomers with Excellent Characteristics – the Basis of Innovative Solutions

Thorough know-how about materials for more than 60 years

Simrit has now been developing innovative branded products at the highest level for more than 60 years. With in-depth experience on materials, well-founded knowledge of processing and extensive product know-how, again and again we create ideal pre-conditions for your success. However, the quality of the elastomer material is decisive for the optimum operation of seals and components used in vibration control. Therefore, we are particularly proud of our pioneering role worldwide in this sector.

Deliberately targeted development of materials guarantees the highest possible quality and long life

More than 250 engineers and chemists worldwide are developing new materials every day for the highest possible functional requirements in joint development ventures with various research institutions plus leading manufacturers of polymers and chemicals. The materials we develop must fulfil the respective customer-specific requirements and withstand all the loadings feasible in their branch of industry – both with regard to temperature, pressure and resistance to media and in the presence of static or

dynamic loadings. The length of life of our products is constantly being improved by optimising our materials. Constant monitoring on the road to these products becoming mass production materials also guarantees you the highest possible quality.

The Individual Materials We have Developed are Leaders Worldwide

Uniquely wide range of standard materials

We produce more than a billion seals annually from a production volume of more than 15,000 tons. When considered as a whole, a range of material, which is unique in its quality and quantity, is available to you with more than 1,500 mixtures of 850 raw materials for your individual applications in seals and vibration control. A large proportion of these are standardised mixtures. Of course, our competent team of experts will advise and assist you fully – from the selection of the right materials via the test phase to the start of production.



Comprehensive performance package and much more

Materials manufactured individually to your wishes and requirements are unusually important in the comprehensive performance package from Simrit. The use of polymers, based on our own raw materials and tailored to your requirements, enables Simrit to develop high performance materials which satisfy the highest functional demands. We use our global materials database for the selection of application-specific materials, which groups together the know-how

of our experts, working worldwide, to form a network of top technological services which we can call on at any time. Finally, the appropriate material with the optimum characteristics for your application is manufactured using computer-controlled procedures, from the selection of the raw material to the compounding process. Of course, always adhering to the highest standards in quality and processing and complying with ecological guidelines – in the interests of your success and the environment.

Simrit Academy – Secure these Advantages for Your Success



The Simrit Academy offers you seminars which are tailored to your needs in terms of content and specialisation levels. There are numerous advantages for you.

A know-how advantage

You receive information from more than 20 qualified experts with regards to state of the art products and materials. Thus ensuring the correct selection of parts as well as smooth workflows in your production processes.

Individuality

Our seminar programme covers the needs of beginners and pros alike. The selection is extensive, allowing for a choice appropriate to the level of knowledge.

Practical relevance

Reinforcement of theoretical knowledge through practical exercises. At the same time we invite you to view our production and research facilities.

Productivity

With the knowledge that you have gained, you can increase your productivity by appropriately selecting the correct products and materials every time.

Languages

All attendance seminars are offered in both German and English. Simultaneous translation is available at every Innovations Forum.

Sustainability

For each Simrit Academy event, you will also receive comprehensive documentation to accompany the course information. Your participation is substantiated by DIN-ISO 9001 format seminar certificate.

Simrit Seminars

You visit our Academy on location in Weinheim and directly experience all materials and products yourself. In doing so, you can choose one of three different seminar categories.

Simrit Basic Seminar

Participants without previous technical knowledge can get to know the entire Simrit performance package.

Simrit Professional Seminar

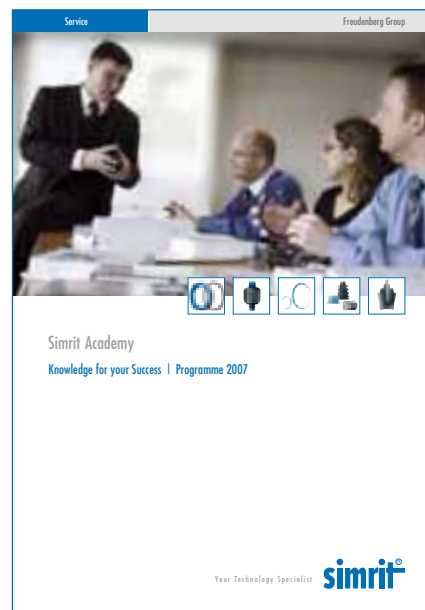
Become an expert on Simrit and obtain detailed knowledge about all products, processes and materials. Both in theory and in practice.

Simrit Seminar Special

The course contents are highly specialised and concentrate on conveying knowledge related to a specific product or material area.

Innovation Forum

Interested parties learn about all the new Simrit innovations in this lecture series, and can exchange knowledge and experience with panels of experts and with other participants.



Registration

You can easily register for Simrit seminars at www.simrit.com/academy. Additional detailed information on registering and on the seminars can be found in the Simrit Academy Programme 2007 brochure, which you can order or download from www.simrit.com.



Merkel Xpress – The 24 hour Express-Service for Seals, Guides and Pivoting Parts

When it has to be there in a hurry: Merkel Xpress from Simrit. Our service delivers the desired seal within 24 hours.

With Merkel Xpress from Simrit you can minimise your machine down-time – and therefore production costs. At the same time, you can reduce the number of spare parts you keep in stock. After all, if you can order it at any time, you don't need to keep it in stock. Ask us: you'll have your seal tomorrow.

The seal you need

Whatever you need at short notice, we can produce it within a few hours using state-of-the-art production technology. Tailor-made to suit your requirements, from single seals for prototypes through to mass production in economical batch sizes. Merkel Xpress saves you shaping costs and minimum order quantities – by using new materials and thanks to our high-speed production and delivery systems.

Merkel Xpress offers you:

- Delivery within 24 hours
- Seals of up to 4 metres in diameter
- From single seals to mass production
- Wide range of profiles
- Original Simrit materials and geometries
- Plus special designs and special materials
- Leading production know-how
- Continuous development of the product range

Tailor-made. Immediately. Economically.

The Triple Advantage of Merkel Xpress

Materials

Polyurethane:

SQ-PU

SQ-HPU

Further materials:

- For low-temperature ranges (down to -50°C)
- Self-lubricating properties
- With FDA approval

Elastomers:

SQ-NBR

SQ-HNBR

SQ-FKM (fluorelastomer)

SQ-EPDM*

SQ-SIL*

*Also with FDA approval (food safe)

Plastomers:

SQ-POM

SQ-PA

Fluoroplastic (PTFE):

SQ-WFLON (white, virginal)

SQ-GFLON (with 15% glass fibre, 5% MoS₂)

SQ-BFLON (with 40% bronze, or 60%)

SQ-CFLON (25% carbon)

Further qualities on request.



A flexible production concept for every requirement

With the newest generation of special lathes and software solutions developed to precisely satisfy customer demands, we can produce every machine-manufactured seal possible, quickly and economically. More than 260 pre-programmed seal design types serve as a basis for our efficient and rapid manufacturing processes. In this regard we work with both special materials such as PEEK and

FFKM, Original Simrit polyurethane and, of course, upon request every other market-standard material for your specific application. The perfect solution for:

- Non-standard seal and machined-part spare parts for every manufacturer
- Rapidly required standard seals
- Small-volume series of special seals
- Samples
- Substitute seals
- End-of-life design types whose series production will not be restarted

Further information can be found at www.simrit.com.

Realise Your Objectives
Quickly with www.simrit.com



Simrit Online – more than just a facelift. Thanks to a smart Navigation System – developed exactly to your requirements – the information you are looking for can be found about products and services with just a few mouse clicks.

The new online presence from Simrit, with integrated Smart Navigation, offers you a particularly easy and quick work platform for your Internet research. There's no quicker way for you to achieve your objective of getting solid expertise for your planning. Whether you need product information, material data sheets or want to access 3D-CAD data – in the user-friendly Simrit database you are sure to quickly find what you are looking for.

**3D-CAD data –
Download added value**

With the 3D Download Service from Simrit you can reliably create your designs with visual clarity for your seal or vibration control solution. Including all technical details in three-dimensional display quality.

The new Simrit eCatalog

Up to 100.000 items accessible online and available within 24 hours. The new eCatalog in the Simrit portal makes it possible. And the best thing about it: The Simrit Product Navigator guides you in the easiest and most straightforward manner directly to the optimum product for your application. Find – compare – select. Convince yourself.

mySimrit – the easy, exclusive offering for smart online users

Register once – benefit continuously. As a registered user of the mySimrit customer area, you benefit from the continuously expanding service advantages. From initial query through product availability to quick CAD downloads and even accessing current news, you receive true added value for a minimum of registration effort. The best thing to do is test us today.



We speak your language:

As a worldwide leading technology specialist, of course we also make our Internet services available to you in your native language. Right from the start, our new online presence is represented in the national language of the most important industrial markets. And, we are continually expanding our portal for you.

Simrit on the Internet – your platform for successful business

- Smart navigation and full-text searches for rapid results
- An extensive eCatalog with more than 100.000 items
- Easy download function for 3D-CAD
- An overview of our brochure service by mouse click
- Availability query
- and much more



Table of Contents

Design Types in Alphabetical Order	13
Pre-Selection Simmerrings	14
Simmerring® Standard Range	19

Simmerrings

Simmerring B1.../SL to DIN 3761 B/BS	108
Simmerring B1OF	124
Simmerring B2.../SL to DIN 3761 C/CS	126
Simmerring B2PT	144
Simmerring BA.../SL to DIN 3760 A/AS	147
Simmerring BABSL to DIN 3760 AS (Classical Pressure Seal)	178
Simmerring BADUO	186
Simmerring BAHD	188
Simmerring BAOF	189
Simmerring BAUM.../SL to DIN 3760 A/AS	191
Simmerring Radiamatic® EWDR made of PTFE	207
Simmerring Energy Saving Seal (ESS)	209
Simmerring High Low Pressure Seal (HLPS)	210
Simmerring Radiamatic® HTS II made of PTFE	211
Simmerring Premium Pressure Seal (PPS)	215
Simmerring Poly Tech Seal (PTS)	216
Simmerring Radiamatic® R 35	217
Simmerring Radiamatic® R 36	225
Simmerring Radiamatic® R 37	229
Simmerring Radiamatic® R 58	234
Simmerring Radiamatic® R 35 LD	237
Simmerring Radiamatic® RS 85	239
Simmerring Radiamatic® RHS 51	241

Modular Rotary Shaft Seals

Simmerring Modular Sealing Component (MSC 01, MSC 02)	243
Simmerring Modular Sealing Solution 1 (MSS 1)	247
Simmerring Modular Sealing Solution 1+ (MSS 1+ Condition Monitoring)	250
Simmerring Modular Sealing Solution 7 (MSS 7)	251

Cassette Seals

Simmerring Cassette Seal Type 1	253
Simmerring Cassette Seal Type 2	256
Simmerring Cassette Seal Type 3	259
Simmerring Cassette Seal HS (high speed)	263

Combi Seals

Simmerring Combi Seal	265
Simmerring Combi Seal SF5	269
Simmerring Combi Seal SF6	272
Simmerring Combi Seal SF8	275
Simmerring Combi Seal SF19	278

Cover Seals

Sealing Cover GA, GSA	281
-----------------------	-----

Water Guards

Simmerring Water Guard WA Type A	283
Simmerring Water Guard WA Type AX	284

Profiles for Rotary Applications

	285
--	-----

On the last pages you will find

Simrit Catalog Overview

**Simrit Service Centers and
Simrit Partners Worldwide**

Design Types in Alphabetical Order

B		G	
B1	108	GA	281
B1OF	108	GSA	281
B1SL	108		
B2	126	H	
B2PT	144	HLPS (High Low Pressure Seal)	210
B2SL	126		
B2U	126	M	
B2USL	126	MSC 01	243
BA	147	MSC 02	243
BABSL	178	MSS 1	247
BADUO	186	MSS 1+ Condition Monitoring	250
BAHD	188	MSS 7	251
BAFUD	147		
BAFUDSL	147	P	
BAOF	189	PTS (Poly Tech Seal)	216
BASL	147	PPS (Premium Pressure Seal)	215
BAUM	191	Profiles for Rotatory Applications	285
BAUMSL	191		
BAUMSLX7	191	R	
BAUMX7	191	Radiamatic® EWDR made of PTFE	207
BAUSLX2	147	Radiamatic® HTS II made of PTFE	211
BAUX2	147	Radiamatic® R 35	217
		Radiamatic® R 35 LD	237
		Radiamatic® R 36	225
		Radiamatic® R 37	229
		Radiamatic® R 58	234
		Radiamatic® RHS 51	241
		Radiamatic® RS 85	239
		W	
C		WA Type A	283
Cassette Seal Type 1	253	WA Type AX	284
Cassette Seal Type 2	256		
Cassette Seal Type 3	259		
Cassette Seal HS	263		
Combi Seal	265		
Combi Seal SF19	278		
Combi Seal SF5	269		
Combi Seal SF6	272		
Combi Seal SF8	275		
E			
ESS (Energy Saving Seal)	209		

Pre-Selection Simmerrings

DIN		A	AS	A	AS	AS		B	BS
Type		BA...+	BA...SL+	BAUM X7+	BAUM SLX7+	BABSL NBR	BABSL FKM	B1...	B1...SL
Special requirements	High housing roughness	○	○	○	○	○	○		
	High thermal expansion of the housing	○	○	○	○	○	○		
	Usage in split housings	○	○	○	○	○	○		
	Tightness against pressure	○	○	○	○	○	○		
	Very secure Simmerring press fit	○	○	○	○	○	○	●	●
	High Simmerring rigidity, rough fitting								
Media to be sealed and operating conditions	Mineral oils < +100 °C	●	●	●	●	○	○	○	○
	Synthetic oils < +80 °C	●	●	○	○	○	○	○	○
	Mineral oils > +100 °C			●	●		●		
	Synthetic oils > +80 °C			●	●		●		
	Greases	●	●	●	●	○	○	○	○
	Aggressive media								
	Circumferential speed < approx. 10 m/s (→ Diagram 1, page 18)	●	●	○	○	○	○	○	○
	Circumferential speed > approx. 10 m/s (→ Diagram 1, page 18)			●	●				
	Operation pressure in MPa (→ type information)	0,02 ... 0,05	0,02 ... 0,05	0,05	0,05	→ Diagr. 2 S. 18	→ Diagr. 2 S. 18	0,02 ... 0,05	0,02 ... 0,05
	High operating pressure	Please enquire about special designs							
Ingress of dirt	Normal ingress of dirt from the outside								
	Moderate to medium ingress of dirt from the outside		●		●	●	●		●
	Large ingress of dirt from the outside								
	Foreign bodies on the inside								










- = possible usage
- = preferred usage
- + = preferred Design
- B1 = one-piece metal housing
- BAB = operating pressure

- SL = dust lip (v = max. 8 m/s)
- X7 = grooved outer casing
- FUD = sealing lip produced in the tool
- UM = sealing lip machined on the front face (predominantly for FKM)
- U ... X2 = sealing lip machined on the front face (predominantly for NBR)

DIN		C	CS						
Type		B2...	B2...SL	B2PT	BAOF	B10F	BADUO	BAHD	ESS
Special requirements	High housing roughness				○		○	○	○
	High thermal expansion of the housing				○		○	○	○
	Usage in split housings				○		○	○	○
	Tightness against pressure				○		○	●	
	Very secure Simmerring press fit	●	●	●		●	○	○	○
	High Simmerring rigidity, rough fitting	●	●	○					
Media to be sealed and operating conditions	Mineral oils < +100 °C	○	○	○	○	○	○	●	○
	Synthetic oils < +80 °C	○	○	○	○	○	○	●	○
	Mineral oils > +100 °C						●	○	●
	Synthetic oils > +80 °C						●	○	●
	Greases			○	●	●	○	○	○
	Aggressive media			●					
	Circumferential speed < approx. 10 m/s (→ Diagram 1, page 18)	○	○	○	... 6 m/s	... 6 m/s	... 5 m/s	... 2 m/s	○
	Circumferential speed > approx. 10 m/s (→ Diagram 1, page 18)			○					●
	Operation pressure in MPa (→ type information)	0,02 ... 0,05	0,02 ... 0,05	... 1	0,02 ... 0,05	0,02 ... 0,05	0,02	15	0,02
	High operating pressure	Please enquire						●	
Ingress of dirt	Normal ingress of dirt from the outside						○		○
	Moderate to medium ingress of dirt from the outside		●		○	○	○		●
	Large ingress of dirt from the outside						●		
	Foreign bodies on the inside								

- = possible usage
- = preferred usage
- B2 = metal housing with metal insert

- OF = without spring
- PT = PTFE sealing lip

DIN										
Type	HILPS	PPS	PTS	MSS 1	MSS 1 +	MSS 7	MSC 01	MSC 02	GA, GSA	
										
Special requirements	High housing roughness	○	○	○	○	○	○		○	
	High thermal expansion of the housing	○	○	○	○	○	○		○	
	Usage in split housings	○	○	○	○	○	○		○	
	Tightness against pressure	●	●	○	○	○	○		○	
	Very secure Simmerring press fit	○	○	●		○	○		○	
	High Simmerring rigidity, rough fitting									
Media to be sealed and operating conditions	Mineral oils < +100 °C	●	●	○	●	○	○		○	
	Synthetic oils < +80 °C	●	●	○	●	○	○		○	
	Mineral oils > +100 °C	○	○	●	●					
	Synthetic oils > +80 °C	○	○	●	●					
	Greases	○	○			○	○	○	●	○
	Aggressive media			○						
	Circumferential speed < approx. 10 m/s (→ Diagram 1, page 18)	... 2 m/s	●	○	... 6 m/s	○	○	... 6 m/s		
	Circumferential speed > approx. 10 m/s (→ Diagram 1, page 18)		○	●						
Operation pressure in MPa (→ type information)	22	1,5	1,0	0,05	0,05	0,05				
High operating pressure	●									
Ingress of dirt	Normal ingress of dirt from the outside		○	○						
	Moderate to medium ingress of dirt from the outside		●	●		○	○	●	●	
	Large ingress of dirt from the outside					●	●	○	○	
	Foreign bodies on the inside				●					

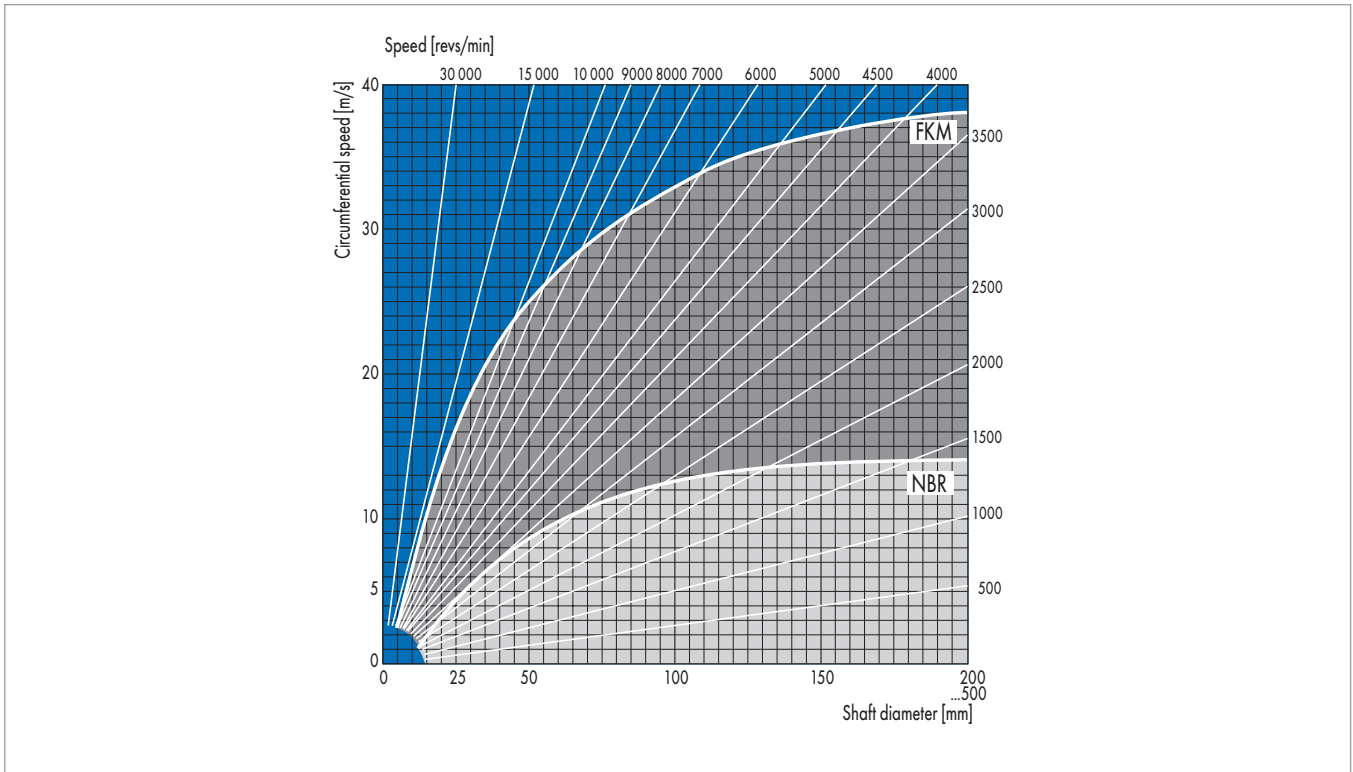
- = possible usage
- = preferred usage

DIN											
Type	Cassette Seal Type 1	Cassette Seal Type 2	Cassette Seal Type 3	Cassette Seal HS	Combi Seal	Combi Seal SF5	Combi Seal SF6	Combi Seal SF8	Combi Seal SF19		
Special requirements	High housing roughness	○	○	○	○				○	○	
	High thermal expansion of the housing	○	○	○	○						
	Usage in split housings	○	○	○	○						
	Tightness against pressure*	○	○	○		○	○	○	○	○	
	Very secure Simmerring press fit	○	○	○	○	●	●	●	●	●	
	High Simmerring rigidity, rough fitting	○	○	○							
Media to be sealed and operating conditions	Mineral oils < +100 °C	●	●	●	●	●	●	●	●	●	
	Synthetic oils < +80 °C	●	●	●	●	●	●	●	●	●	
	Mineral oils > +100 °C	○	○	○	●						
	Synthetic oils > +80 °C	○	○	○	●	○	○	○	○	○	
	Greases	●	●	●	○	●	●	●	●	●	
	Aggressive media**										
	Special operating conditions										
	Circumferential speed < approx. 10 m/s*** (→ Diagram 1, page 18)	9 m/s	7 m/s	6 m/s	○	5 m/s	○	○	○	○	
	Circumferential speed > approx. 10 m/s*** (→ Diagram 1, page 18)				12 m/s		10 m/s	10 m/s	10 m/s	10 m/s	
	Operation pressure in MPa (→ type information)	0,05	0,05	0,05	0,05	0,02	0,02	0,02	0,02	0,02	
High operating pressure											
Ingress of dirt	Normal ingress of dirt from the outside	●			●	●	●			○	
	Moderate to medium ingress of dirt from the outside		●		○	○	○	●	●	○	
	Large ingress of dirt from the outside			●					○	●	
	Foreign bodies on the inside										

○ = possible usage
● = preferred usage

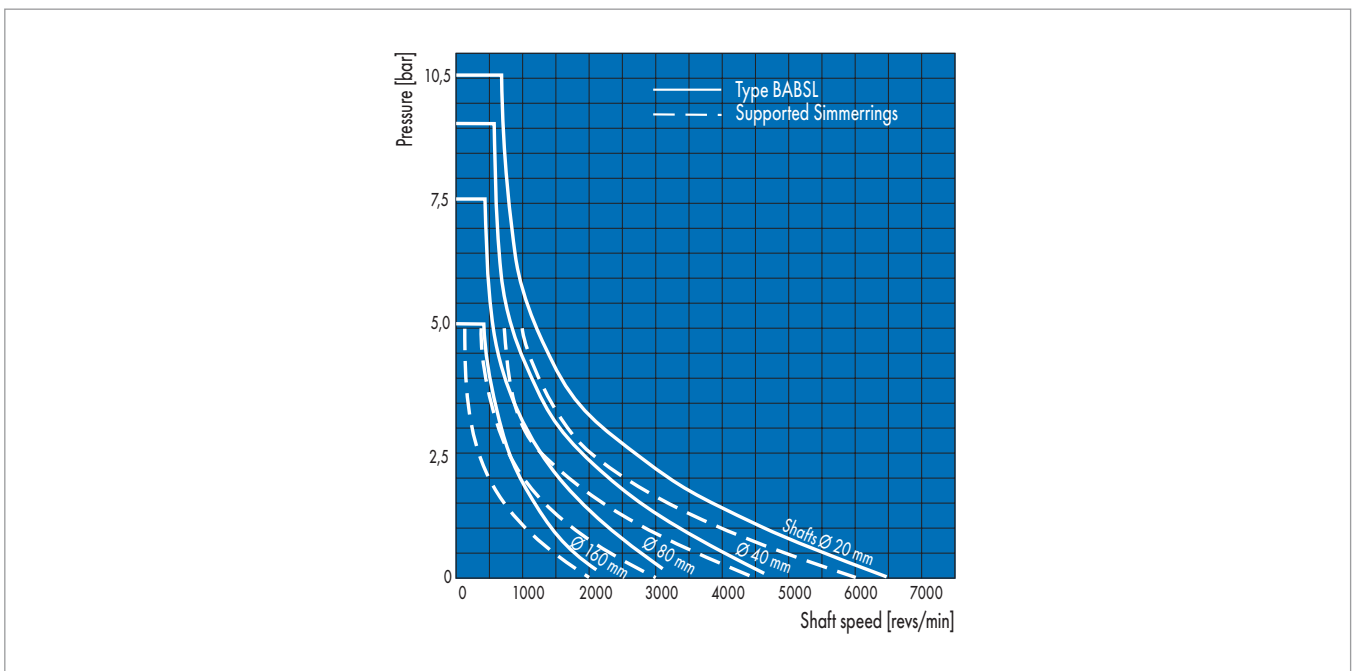
* = special design on enquiry (please contact LC)
** = specific material mixture necessary
*** = depending on the material mixture

Diagram 1



Permissible circumferential speed for Simmerrings made of the material NBR (72 NBR 902) and FKM (75 FKM 585) when sealing engine oil SAE 20. Usage of Simmerring with SL (dust lip): $v = \text{max. } 8 \text{ m/s}$.

Diagram 2



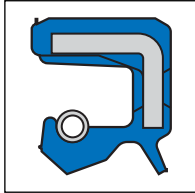
Permissible pressure in the unit for Simmerrings (type BABSL), as well as for Simmerrings with back-up rings.

Simmerring® Standard Range

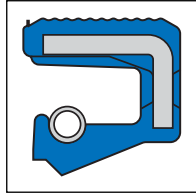
DIN A/AS



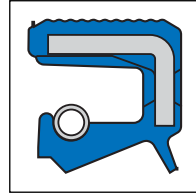
BAUX2



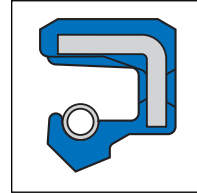
BAUSLX2



BAFUDX7



BAFUDSLX7



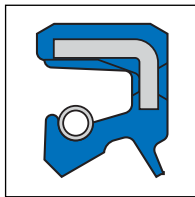
BAU



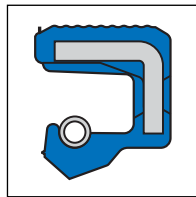
BAUSL



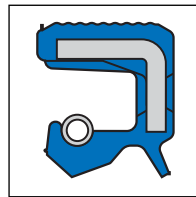
BA



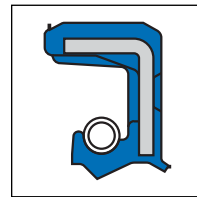
BASL



BAUMX7

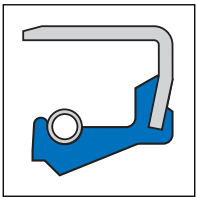


BAUMSLX7

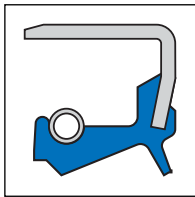


BABSL

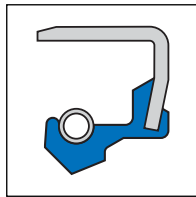
DIN B/BS



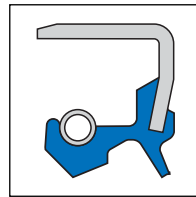
B1FUD



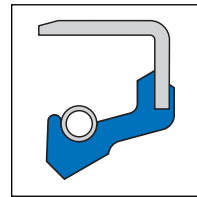
B1FUDSL



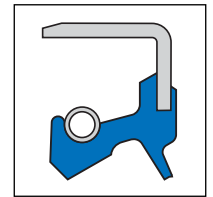
B1U



B1USL

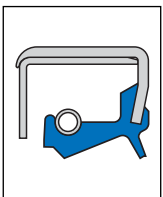


B1

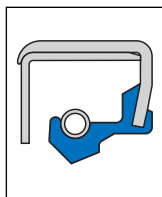


B1SL

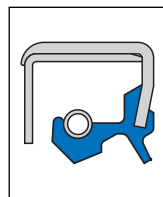
DIN C/CS



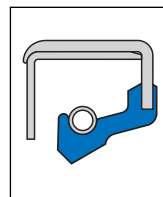
B2FUDSL



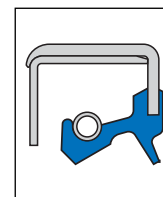
B2U



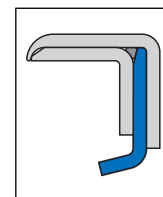
B2USL



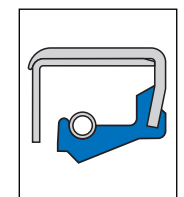
B2



B2SL

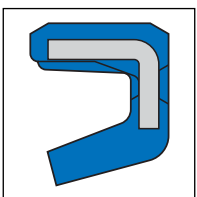


B2PT

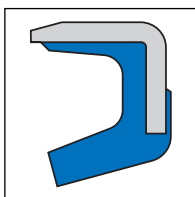


B2FUD

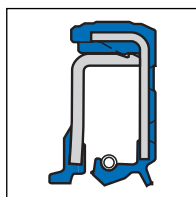
Special Types



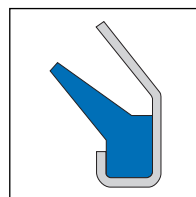
BAOF



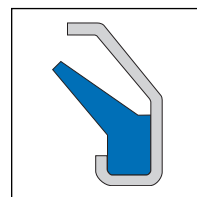
B1OF



MSS 1



MSC 01

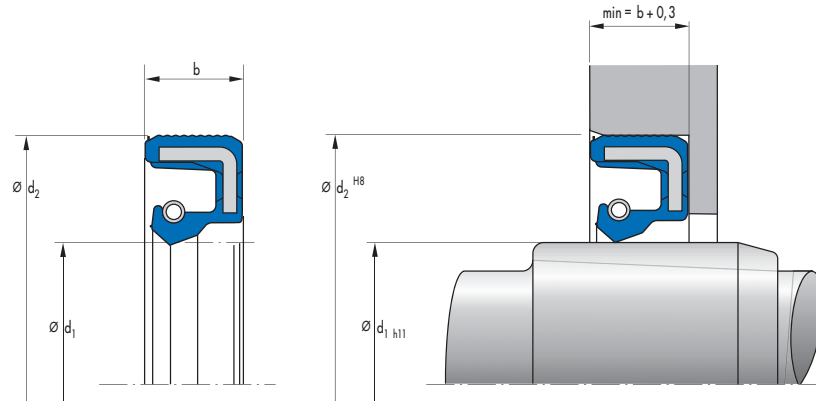


MSC 02

Simmerring
Cassette Seals
→ page 253

Simmerring
Combi Seals
→ page 265

Article list

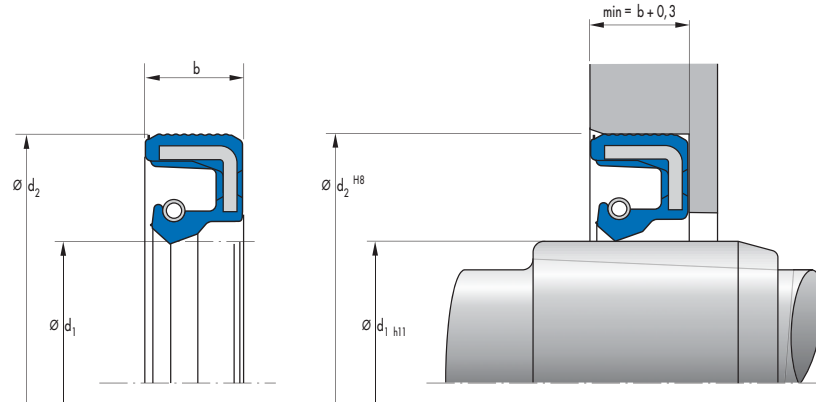


d ₁	d ₂	b	DIN 3761	Outer surface	Pressure	Material	Type	Article No.	
3,00	10,00	6,00	A	smooth	un-pressurised	72 NBR 902	BAOF	6317	●
4,00	12,00	6,00	A	smooth	0,05	72 NBR 902	BA	6325	●
4,00	16,00	7,00	A	smooth	0,05	72 NBR 902	BA	1931	●
5,00	15,00	6,00	A	smooth	0,02	72 NBR 902	BAFUD	405057	●
5,00	16,00	7,00	B	metal	0,05	72 NBR 902	B1U	19267	●
5,00	19,00	5,00	A	smooth	0,05	72 NBR 902	BA	32513	●
5,00	22,00	8,00	A	smooth	0,05	72 NBR 902	BA	6335	●
6,00	16,00	5,00	A	smooth	0,05	72 NBR 902	BA	12019071	●
6,00	16,00	6,00	A	grooved	0,05	75 FKM 585	BAUMX7	406308	●
6,00	16,00	7,00	B	metal	0,05	75 FKM 585	B1	18256	○
6,00	16,00	7,00	B	metal	0,02	72 NBR 902	B1FUD	470997	●
6,00	16,00	7,00	A	smooth	0,05	72 NBR 902	BA	6341	●
6,00	19,00	6,00	A	smooth	0,05	72 NBR 902	BAU	6344	●
6,00	22,00	7,00	AS	smooth	0,02	72 NBR 902	BAFUDSL	12011104	●
6,00	22,00	7,00	A	grooved	0,05	75 FKM 585	BAUMX7	400296	●
6,00	22,00	7,00	A	grooved	0,02	72 NBR 902	BAFUDX7	527276	○
6,00	22,00	7,00	A	grooved	0,02	72 NBR 902	BAFUDX7	6352	●
7,00	16,00	7,00	A	smooth	0,05	75 FKM 595	BAUM	343383	○
7,00	16,00	7,00	A	smooth	0,05	72 NBR 902	BA	6365	●
7,00	16,00	7,00	B	metal	0,05	72 NBR 902	B1	7797	●
7,00	22,00	6,00	A	smooth	0,05	72 NBR 902	BA	6372	●
7,00	22,00	7,00	A	grooved	0,05	75 FKM 585	BAUMX7	412598	●
7,00	22,00	7,00	A	smooth	0,05	72 NBR 902	BA	6374	●
8,00	14,00	6,00	B	metal	un-pressurised	72 NBR 902	B1OF	419913	●
8,00	16,00	7,00	AS	smooth	0,05	72 NBR 902	BASL	409737	●
8,00	16,00	7,00	B	metal	0,02	72 NBR 902	B1FUD	428761	●
8,00	16,00	7,00	A	smooth	0,05	72 NBR 902	BA	7566	●
8,00	18,00	5,00	A	smooth	0,05	72 NBR 902	BA	6397	●
8,00	20,00	6,00	AS	grooved	0,05	75 FKM 585	BAUMSLX7	421497	○
8,00	20,00	8,00	A	smooth	0,05	72 NBR 902	BA	6403	●
8,00	22,00	6,00	AS	smooth	*	75 FKM 595	BABSL	12019990	●
8,00	22,00	6,00	AS	smooth	*	72 NBR 902	BABSL	462581	●
8,00	22,00	6,00	A	smooth	0,05	72 NBR 902	BAU	6405	●
8,00	22,00	7,00	B	metal	0,05	72 NBR 902	B1U	19274	●
8,00	22,00	7,00	A	grooved	0,05	75 FKM 585	BAUMX7	406310	●

● Available from stock ○ On request: Tool is available, delivery at short notice * → Diagram 2, page 18

d ₁	d ₂	b	DIN 3761	Outer surface	Pressure	Material	Type	Article No.	
8,00	22,00	7,00	A	smooth	0,05	72 NBR 902	BA	6412	●
8,00	22,00	8,00	AS	grooved	0,05	75 FKM 585	BAUMSLX7	468755	●
8,00	22,00	8,00	A	smooth	0,05	72 NBR 902	BA	6418	●
8,00	24,00	7,00	B	metal	0,05	72 NBR 902	B1	19276	●
8,00	24,00	7,00	A	grooved	0,05	75 FKM 585	BAUMX7	406311	●
8,00	24,00	7,00	A	smooth	0,05	72 NBR 902	BA	6421	●
8,00	28,00	7,00	B	metal	0,05	72 NBR 902	B1	19277	●
9,00	17,00	4,50	B	metal	0,05	72 NBR 902	B1	19279	●
9,00	18,00	6,00	A	smooth	0,05	75 FKM 585	BAUM	396104	○
9,00	18,00	6,00	A	smooth	0,05	72 NBR 902	BA	6431	●
9,00	19,00	5,00	B	metal	0,05	72 NBR 902	B1U	19280	●
9,00	20,00	6,00	AS	smooth	*	72 NBR 902	BABSL	80489	●
9,00	22,00	7,00	B	metal	0,05	72 NBR 902	B1U	19281	●
9,00	22,00	7,00	A	smooth	0,05	72 NBR 902	BA	6438	●
9,00	24,00	7,00	A	smooth	0,05	72 NBR 902	BAU	6443	●
9,00	26,00	7,00	A	smooth	0,05	72 NBR 902	BA	6445	●
9,50	25,40	8,00	A	smooth	0,05	72 NBR 902	BAU	6454	●
10,00	15,00	3,00	B	metal	un-pressurised	72 NBR 902	B1OF	129573	●
10,00	16,00	4,00	A	smooth	0,02	72 NBR 902	BAFUD	12000016	●
10,00	16,00	4,00	B	metal	un-pressurised	72 NBR 902	B1OF	20247	●
10,00	16,00	4,00	B	metal	0,02	72 NBR 902	B1FUD	477154	●
10,00	18,00	4,00	A	smooth	0,02	72 NBR 902	BAFUD	12000017	●
10,00	18,00	6,00	A	smooth	0,02	72 NBR 902	BAFUD	470999	●
10,00	19,00	7,00	A	grooved	0,05	75 FKM 585	BAUMX7	400287	●
10,00	19,00	7,00	B	metal	0,02	72 NBR 902	B1FUD	428763	●
10,00	19,00	7,00	A	smooth	0,02	72 NBR 902	BAFUD	471001	●
10,00	19,00	7,00	AS	smooth	0,05	72 NBR 902	BASL	6463	●
10,00	20,00	6,00	A	smooth	0,05	72 NBR 902	BA	6467	●
10,00	22,00	6,00	AS	smooth	*	72 NBR 902	BABSL	2891	●
10,00	22,00	6,00	AS	smooth	*	75 FKM 595	BABSL	418583	●
10,00	22,00	7,00	B	metal	0,05	72 NBR 902	B1U	19288	●
10,00	22,00	7,00	A	grooved	0,02	72 NBR 902	BAFUDX7	362172	●
10,00	22,00	7,00	A	grooved	0,05	75 FKM 585	BAUMX7	390099	●
10,00	22,00	7,00	C	metal	up to 1 MPa	PTFE F56101	B2PT	406518	●
10,00	22,00	8,00	C	metal	0,05	72 NBR 902	B2U	22674	●
10,00	22,00	8,00	A	smooth	0,05	72 NBR 902	BA	6485	●
10,00	22,00	8,00	AS	smooth	0,05	72 NBR 902	BASL	6486	●
10,00	24,00	3,50	A	metal	un-pressurised	80 NBR 177458	MSC 01	508511	●
10,00	24,00	3,50	A	metal	un-pressurised	80 FKM 177459	MSC 01	508559	●
10,00	24,00	7,00	B	metal	0,05	72 NBR 902	B1	19290	●
10,00	24,00	7,00	A	grooved	0,05	75 FKM 585	BAUMX7	412571	●
10,00	24,00	7,00	A	smooth	0,05	72 NBR 902	BA	6492	●
10,00	26,00	5,00	AS	grooved	0,05	75 FKM 585	BAUMSLX27	468756	●
10,00	26,00	7,00	B	metal	0,05	72 NBR 902	B1U	19291	●
10,00	26,00	7,00	AS	smooth	0,05	72 NBR 902	BASL	3360	●
10,00	26,00	7,00	A	grooved	0,05	75 FKM 585	BAUMX7	406315	●
10,00	26,00	7,00	A	smooth	0,05	72 NBR 902	BA	6501	●
10,00	28,00	7,00	A	smooth	0,05	72 NBR 902	BAU	6504	●
10,00	30,00	10,00	C	metal	0,05	72 NBR 902	B2U	22844	●
10,00	30,00	10,00	A	smooth	0,05	72 NBR 902	BA	6511	●

● Available from stock ○ On request: Tool is available, delivery at short notice * → Diagram 2, page 18

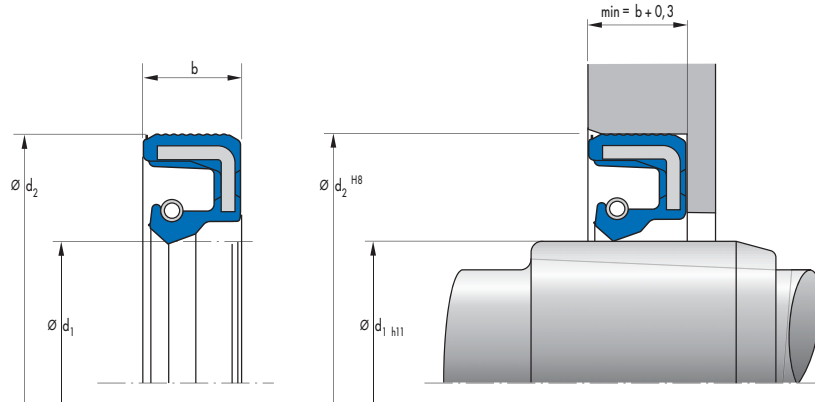


d_1	d_2	b	DIN 3761	Outer surface	Pressure	Material	Type	Article No.	
11,00	17,00	4,00	A	smooth	0,02	72 NBR 902	BAFUD	12010767	●
11,00	17,00	4,00	B	metal	0,05	72 NBR 902	B1	32193	●
11,00	22,00	7,00	AS	smooth	*	72 NBR 902	BABSL	12011513	●
11,00	22,00	7,00	B	metal	0,05	72 NBR 902	B1U	2487	●
11,00	22,00	7,00	A	grooved	0,05	75 FKM 585	BAUMX7	412600	●
11,00	22,00	7,00	A	smooth	0,05	72 NBR 902	BA	6518	●
11,00	26,00	3,50	A	metal	un-pressurised	80 NBR 177458	MSC 01	508512	●
11,00	26,00	3,50	A	metal	un-pressurised	80 FKM 177459	MSC 01	508560	●
11,00	26,00	7,00	AS	grooved	0,05	75 FKM 585	BAUMSLX7	412558	●
11,00	26,00	7,00	A	grooved	0,05	75 FKM 585	BAUMX7	412566	●
11,00	26,00	7,00	A	smooth	0,05	72 NBR 902	BA	6528	●
11,80	28,00	5,00	AS	grooved	0,05	75 FKM 585	BAUMSLX7	49002913	○
12,00	18,00	4,50	BS	metal	0,02	72 NBR 902	B1FUDSL	379715	●
12,00	18,00	5,50	B	metal	un-pressurised	72 NBR 902	B1OF	19578	●
12,00	19,00	5,00	A	smooth	0,05	72 NBR 902	BA	6550	●
12,00	20,00	5,00	B	metal	0,05	72 NBR 902	B1	20296	●
12,00	20,00	6,00	A	grooved	0,05	75 FKM 585	BAUMX7	425209	●
12,00	20,00	6,00	A	grooved	0,05	75 FKM 585	BAUMX7	49036882	●
12,00	20,00	7,00	A	smooth	0,02	72 NBR 902	BAFUD	12010771	●
12,00	22,00	4,00	A	grooved	0,02	72 NBR 902	BAFUDX7	436286	●
12,00	22,00	5,00	A	grooved	0,05	75 FKM 585	BAUMX27	49010681	●
12,00	22,00	6,00	AS	smooth	*	75 FKM 595	BABSL	418598	●
12,00	22,00	6,00	AS	smooth	*	72 NBR 902	BABSL	531222	●
12,00	22,00	6,50	A	smooth	0,05	72 NBR 902	BA	6555	●
12,00	22,00	7,00	B	metal	0,05	72 NBR 902	B1	19299	●
12,00	22,00	7,00	A	grooved	0,05	75 FKM 585	BAUMX7	400278	●
12,00	22,00	7,00	C	metal	up to 1 MPa	PTFE F56101	B2PT	406519	●
12,00	22,00	7,00	AS	grooved	0,05	75 FKM 585	BAUMSLX7	468757	●
12,00	22,00	7,00	A	smooth	0,05	72 NBR 902	BAU	6564	●
12,00	22,00	8,00	C	metal	0,05	72 NBR 902	B2	23494	●
12,00	24,00	6,00	AS	smooth	*	75 FKM 595	BABSL	325246	●
12,00	24,00	6,00	A	grooved	0,05	75 FKM 585	BAUMX7	429608	●
12,00	24,00	6,00	AS	smooth	*	72 NBR 902	BABSL	7100620	●
12,00	24,00	6,50	A	smooth	0,05	72 NBR 902	BA	6572	●
12,00	24,00	7,00	AS	smooth	*	72 NBR 902	BABSL	12011515	●
12,00	24,00	7,00	A	grooved	0,05	75 FKM 585	BAUMX7	406316	●

● Available from stock ○ On request: Tool is available, delivery at short notice * → Diagram 2, page 18

d ₁	d ₂	b	DIN 3761	Outer surface	Pressure	Material	Type	Article No.	
12,00	24,00	7,00	A	smooth	0,05	72 NBR 902	BA	6575	●
12,00	24,00	7,00	B	metal	0,05	72 NBR 902	B1	7809	●
12,00	25,00	5,00	A	smooth	0,05	75 FKM 585	BAUM	378263	●
12,00	25,00	5,00	A	smooth	0,05	72 NBR 902	BAUX2	6582	●
12,00	25,00	6,00	A	smooth	0,05	72 NBR 902	BAU	49016141	●
12,00	25,00	7,00	C	metal	up to 1 MPa	PTFE F56101	B2PT	406523	●
12,00	25,00	8,00	A	smooth	0,05	72 NBR 902	BAU	6590	●
12,00	26,00	3,50	A	metal	un-pressurised	80 NBR 177458	MSC 01	508513	●
12,00	26,00	3,50	A	metal	un-pressurised	80 FKM 177459	MSC 01	508561	●
12,00	26,00	8,00	A	smooth	0,05	72 NBR 902	BAU	6598	●
12,00	28,00	5,00	AS	smooth	0,05	72 NBR 902	BAUSLX2	526251	●
12,00	28,00	7,00	AS	smooth	0,02	72 NBR 902	BAFUDSL	12011106	●
12,00	28,00	7,00	AS	grooved	0,05	75 FKM 585	BAUMSLX7	412560	●
12,00	28,00	7,00	AS	grooved	0,05	75 FKM 585	BAUMSLX7	476909	○
12,00	28,00	7,00	A	smooth	0,05	72 NBR 902	BAUX2	49004096	●
12,00	28,00	7,00	AS	grooved	0,05	75 FKM 585	BAUMSLX7	522775	○
12,00	28,00	7,00	B	metal	0,05	72 NBR 902	B1	7819	●
12,00	30,00	5,00	B	metal	un-pressurised	72 NBR 902	B1OF	8010	●
12,00	30,00	7,00	A	smooth	0,05	72 NBR 902	BA	2669	●
12,00	30,00	7,00	B	metal	0,05	72 NBR 902	B1	2673	●
12,00	30,00	7,00	A	grooved	0,05	75 FKM 585	BAUMX7	412668	●
12,00	30,00	10,00	C	metal	0,05	72 NBR 902	B2	22848	●
12,00	30,00	10,00	A	smooth	0,05	72 NBR 902	BA	6620	●
12,00	30,00	12,00	A	smooth	0,05	72 NBR 902	BA	6629	●
12,00	32,00	5,00	B	metal	0,05	72 NBR 902	B1	19303	●
12,00	32,00	7,00	B	metal	0,05	72 NBR 902	B1	19304	●
12,00	32,00	7,00	A	smooth	0,05	72 NBR 902	BAUX2	49004095	●
12,00	32,00	7,00	A	grooved	0,05	75 FKM 585	BAUMX7	525462	●
12,00	32,00	7,00	AS	smooth	*	72 NBR 902	BABSL	62027	●
12,00	32,00	10,00	C	metal	0,05	72 NBR 902	B2U	22849	●
12,00	32,00	10,00	A	smooth	0,05	72 NBR 902	BA	6633	●
12,00	35,00	10,00	A	smooth	0,05	72 NBR 902	BAU	6635	●
12,70	22,00	6,00	A	smooth	0,05	72 NBR 902	BAU	6637	●
13,00	20,00	4,00	B	metal	0,05	72 NBR 902	B1	23833	●
13,00	22,00	4,00	A	smooth	0,02	72 NBR 902	BAFUD	12010781	●
13,00	22,00	5,00	B	metal	0,05	72 NBR 902	B1	19306	●
13,00	23,00	6,00	A	smooth	0,05	72 NBR 902	BA	6656	●
13,00	25,00	5,00	A	smooth	0,05	72 NBR 902	BA	6658	●
13,00	26,00	7,00	B	metal	0,05	72 NBR 902	B1U	19307	●
13,00	26,00	7,00	A	grooved	0,05	75 FKM 585	BAUMX7	521531	●
13,00	26,00	7,00	A	smooth	0,05	72 NBR 902	BAU	6663	●
13,00	28,00	7,00	AS	smooth	0,05	72 NBR 902	BASL	3367	●
13,00	30,00	8,00	A	smooth	0,05	72 NBR 902	BA	6671	●
13,70	24,00	7,00	AS	smooth	0,05	75 FKM 585	BAUMSL	521313	○
14,00	20,00	5,00	A	smooth	un-pressurised	72 NBR 902	BAOF	6681	●
14,00	22,00	4,00	A	smooth	0,05	72 NBR 902	BA	33554	●
14,00	22,00	4,00	A	smooth	0,05	75 FKM 585	BAUM	378313	○
14,00	23,00	7,00	A	smooth	0,05	75 FKM 585	BAUM	378357	○
14,00	23,00	7,00	A	smooth	0,05	72 NBR 902	BAU	6683	●
14,00	24,00	7,00	A	smooth	0,05	72 NBR 902	BA	12010784	○

● Available from stock ○ On request: Tool is available, delivery at short notice * → Diagram 2, page 18

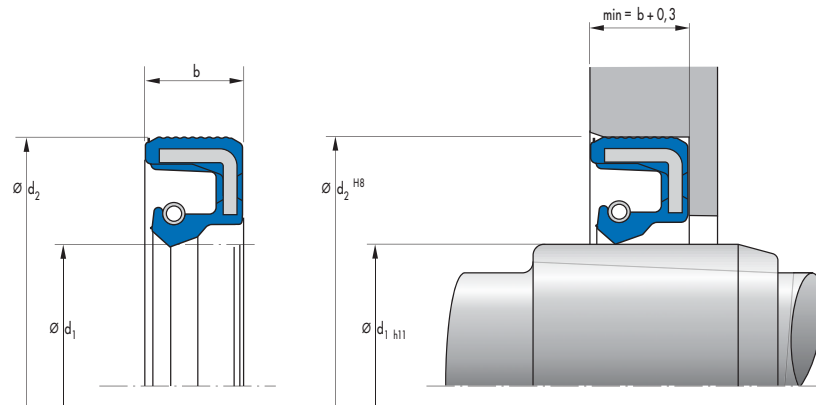


d_1	d_2	b	DIN 3761	Outer surface	Pressure	Material	Type	Article No.	
14,00	24,00	7,00	AS	smooth	*	72 NBR 902	BABSL	12011516	●
14,00	24,00	7,00	AS	smooth	*	75 FKM 595	BABSL	12013186	●
14,00	24,00	7,00	A	grooved	0,05	75 FKM 585	BAUMX7	406317	●
14,00	24,00	7,00	AS	grooved	0,05	75 FKM 585	BAUMSLX7	468758	●
14,00	24,00	7,00	A	smooth	0,05	72 NBR 902	BA	531005	●
14,00	24,00	7,00	B	metal	0,05	72 NBR 902	B1	7831	●
14,00	24,00	7,00	AS	smooth	0,05	72 NBR 902	BAUSLX2	86818	○
14,00	25,00	5,00	A	smooth	0,05	72 NBR 902	BA	6694	●
14,00	25,00	7,00	B	metal	0,05	72 NBR 902	B1	21702	●
14,00	26,00	7,00	B	metal	0,05	72 NBR 902	B1	19311	●
14,00	26,00	7,00	A	smooth	0,05	72 NBR 902	BA	6700	●
14,00	28,00	7,00	AS	smooth	0,02	72 NBR 902	BAFUDSL	12011750	●
14,00	28,00	7,00	A	grooved	0,02	72 NBR 902	BAFUDX7	355486	●
14,00	28,00	7,00	AS	grooved	0,05	75 FKM 585	BAUMSLX7	405402	●
14,00	28,00	7,00	B	metal	0,05	72 NBR 902	B1U	7839	●
14,00	30,00	4,00	A	metal	un-pressurised	80 NBR 177458	MSC 01	508514	●
14,00	30,00	4,00	A	metal	un-pressurised	80 FKM 177459	MSC 01	508562	●
14,00	30,00	7,00	B	metal	0,05	72 NBR 902	B1	2680	●
14,00	30,00	7,00	C	metal	up to 1 MPa	PTFE F56101	B2PT	406526	●
14,00	30,00	7,00	A	grooved	0,05	75 FKM 585	BAUMX7	412665	●
14,00	30,00	7,00	A	smooth	0,05	72 NBR 902	BAU	6713	●
14,00	30,00	10,00	C	metal	0,05	72 NBR 902	B2U	22854	●
14,00	30,00	10,00	AS	smooth	0,05	72 NBR 902	BASL	38284	●
14,00	30,00	10,00	A	smooth	0,05	72 NBR 902	BAU	6717	●
14,00	32,00	7,00	B	metal	0,05	72 NBR 902	B1U	19313	●
14,00	32,00	10,00	A	smooth	0,05	72 NBR 902	BA	6723	●
14,00	35,00	7,00	A	smooth	0,05	72 NBR 902	BA	31450	●
14,00	35,00	10,00	A	smooth	0,05	72 NBR 902	BA	6726	●
15,00	24,00	5,00	A	smooth	0,02	72 NBR 902	BAFUD	12010789	●
15,00	24,00	6,00	AS	smooth	0,02	72 NBR 902	BAFUDSL	12011107	●
15,00	24,00	7,00	AS	smooth	0,02	72 NBR 902	BAFUDSL	12000444	●
15,00	24,00	7,00	BS	metal	0,05	72 NBR 902	B1SL	3482	●
15,00	24,00	7,00	A	grooved	0,05	75 FKM 585	BAUMX7	386187	●
15,00	24,00	7,00	A	grooved	0,05	75 FKM 585	BAUMX7	419704	○
15,00	24,00	7,00	B	metal	0,02	72 NBR 902	B1FUD	428760	●
15,00	24,00	7,00	A	smooth	0,05	72 NBR 902	BA	6736	●

● Available from stock ○ On request: Tool is available, delivery at short notice * → Diagram 2, page 18

d ₁	d ₂	b	DIN 3761	Outer surface	Pressure	Material	Type	Article No.	
15,00	25,00	5,00	A	smooth	0,05	75 FKM 585	BAUM	49012993	●
15,00	25,00	5,00	A	smooth	0,05	72 NBR 902	BA	532053	●
15,00	25,00	6,00	AS	smooth	*	72 NBR 902	BABSL	326153	●
15,00	25,00	6,00	AS	smooth	*	75 FKM 595	BABSL	433218	●
15,00	25,00	6,00	A	smooth	0,05	72 NBR 902	BAUSL	49016152	●
15,00	26,00	4,50	B	metal	un-pressurised	72 NBR 902	B1OF	19581	●
15,00	26,00	7,00	A	smooth	0,05	72 NBR 902	BA	12010791	○
15,00	26,00	7,00	A	grooved	0,05	75 FKM 585	BAUMX7	407042	●
15,00	26,00	7,00	AS	grooved	0,05	75 FKM 585	BAUMSLX7	471673	●
15,00	26,00	7,00	A	smooth	0,05	72 NBR 902	BAUX2	49028520	●
15,00	26,00	7,00	A	smooth	0,05	72 NBR 902	BA	6747	○
15,00	26,00	7,00	A	smooth	0,05	72 NBR 902	BAUSL	6749	●
15,00	26,00	7,00	B	metal	0,05	72 NBR 902	B1	7878	●
15,00	28,00	7,00	B	metal	0,02	72 NBR 902	B1FUD	335083	●
15,00	28,00	7,00	A	grooved	0,05	75 FKM 585	BAUMX7	400666	●
15,00	28,00	9,00	A	smooth	0,05	72 NBR 902	BA	6753	●
15,00	30,00	4,00	A	metal	un-pressurised	80 NBR 177458	MSC 01	508515	●
15,00	30,00	4,00	A	metal	un-pressurised	80 FKM 177459	MSC 01	508563	●
15,00	30,00	4,50	A	smooth	0,02	72 NBR 902	BAFUD	12010793	●
15,00	30,00	7,00	AS	smooth	0,02	72 NBR 902	BAFUDSL	12011109	●
15,00	30,00	7,00	AS	smooth	*	72 NBR 902	BABSL	141150	●
15,00	30,00	7,00	B	metal	0,02	72 NBR 902	B1FUD	335085	●
15,00	30,00	7,00	A	grooved	0,05	75 FKM 585	BAUMX7	388063	●
15,00	30,00	7,00	C	metal	up to 1 MPa	PTFE F56101	B2PT	406529	●
15,00	30,00	7,00	A	smooth	0,05	72 NBR 902	BAUX2	478442	●
15,00	30,00	7,00	AS	smooth	*	75 FKM 595	BABSL	523036	●
15,00	30,00	7,00	A	grooved	0,05	75 FKM 585	BAUMX7	528159	○
15,00	30,00	8,00	C	metal	0,05	72 NBR 902	B2	22675	●
15,00	30,00	8,00	B	metal	0,05	72 NBR 902	B1U	24287	●
15,00	30,00	8,00	AS	smooth	0,05	72 NBR 902	BASL	6764	●
15,00	30,00	10,00	BS	metal	0,05	72 NBR 902	B1SL	20254	●
15,00	30,00	10,00	C	metal	0,05	72 NBR 902	B2U	22857	●
15,00	30,00	10,00	A	grooved	0,05	75 FKM 585	BAUMX7	389461	●
15,00	30,00	10,00	A	smooth	0,05	72 NBR 902	BAU	7592	●
15,00	32,00	6,00	A	metal	un-pressurised	80 FKM 177459	MSC 02	508604	●
15,00	32,00	6,00	A	metal	un-pressurised	80 NBR 177458	MSC 02	508628	●
15,00	32,00	7,00	AS	smooth	*	72 NBR 902	BABSL	322185	●
15,00	32,00	7,00	B	metal	0,02	72 NBR 902	B1FUD	335087	●
15,00	32,00	7,00	C	metal	up to 1 MPa	PTFE F56101	B2PT	406530	●
15,00	32,00	7,00	A	grooved	0,05	75 FKM 585	BAUMX7	411516	●
15,00	32,00	7,00	A	smooth	0,02	72 NBR 902	BAFUD	49001626	●
15,00	32,00	10,00	C	metal	0,05	72 NBR 902	B2	22858	●
15,00	32,00	10,00	A	smooth	0,05	72 NBR 902	BAU	6780	●
15,00	35,00	6,00	AS	smooth	*	72 NBR 902	BABSL	2953	●
15,00	35,00	6,00	AS	smooth	*	75 FKM 595	BABSL	346627	●
15,00	35,00	7,00	B	metal	0,05	72 NBR 902	B1U	3098	●
15,00	35,00	7,00	A	grooved	0,02	72 NBR 902	BAFUDX7	355422	●
15,00	35,00	7,00	A	grooved	0,05	75 FKM 585	BAUMX7	411517	●
15,00	35,00	7,00	BS	metal	0,02	72 NBR 902	B1FUDSL	436749	●
15,00	35,00	7,00	AS	smooth	0,05	75 FKM 585	BAUMSL	466955	○

● Available from stock ○ On request: Tool is available, delivery at short notice * → Diagram 2, page 18

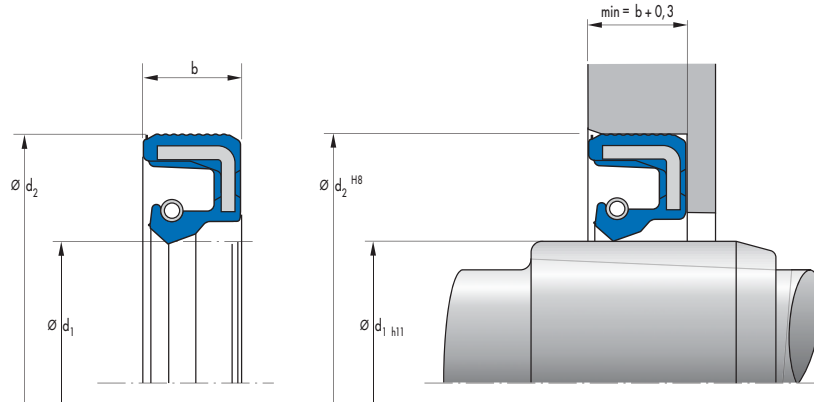


d ₁	d ₂	b	DIN 3761	Outer surface	Pressure	Material	Type	Article No.	
15,00	35,00	7,00	AS	smooth	0,05	72 NBR 902	BAUSLX2	49016894	●
15,00	35,00	7,00	A	smooth	0,05	72 NBR 902	BAUX2	49032758	●
15,00	35,00	7,00	A	smooth	0,05	72 NBR 902	BAU	6784	●
15,00	35,00	8,00	A	smooth	0,05	72 NBR 902	BA	7595	●
15,00	35,00	10,00	C	metal	0,05	72 NBR 902	B2	22677	●
15,00	35,00	10,00	A	smooth	0,05	72 NBR 902	BA	6795	●
15,00	35,00	10,00	AS	smooth	0,05	72 NBR 902	BASL	6796	●
15,00	35,00	10,00	B	metal	0,05	72 NBR 902	B1U	8014	●
15,00	37,00	10,00	A	smooth	0,05	72 NBR 902	BAU	459238	○
15,00	37,00	10,00	B	metal	0,05	72 NBR 902	B1	8017	●
15,00	40,00	7,00	A	smooth	0,05	75 FKM 585	BAUM	522177	●
15,00	40,00	7,00	A	smooth	0,05	72 NBR 902	BAUX2	522178	●
15,00	40,00	10,00	C	metal	0,05	72 NBR 902	B2U	22859	●
15,00	40,00	10,00	A	smooth	0,05	72 NBR 902	BA	6802	●
15,00	42,00	7,00	A	grooved	0,05	72 NBR 902	BAUX27	451922	●
15,00	42,00	7,00	A	grooved	0,05	75 FKM 585	BAUMX7	49001673	●
15,00	42,00	10,00	C	metal	0,05	72 NBR 902	B2	22860	○
15,00	42,00	10,00	C	metal	0,02	72 NBR 902	B2FUD	422249	●
15,00	42,00	10,00	A	smooth	0,05	75 FKM 585	BAUM	49015432	●
15,00	42,00	10,00	A	smooth	0,05	72 NBR 902	BAU	6805	●
16,00	22,00	4,00	B	metal	un-pressurised	72 NBR 902	B1OF	19584	●
16,00	24,00	4,00	A	smooth	0,02	72 NBR 902	BAFUD	12010799	●
16,00	24,00	4,00	B	metal	un-pressurised	72 NBR 902	B1OF	23770	●
16,00	24,00	5,00	A	smooth	0,02	72 NBR 902	BAFUD	12010800	●
16,00	24,00	6,00	B	metal	0,05	72 NBR 902	B1	20397	●
16,00	24,00	7,00	A	smooth	0,02	72 NBR 902	BAFUD	12010801	●
16,00	24,00	7,00	B	metal	un-pressurised	72 NBR 902	B1OF	19585	●
16,00	24,00	7,00	B	metal	0,05	72 NBR 902	B1	22979	●
16,00	26,00	7,00	B	metal	0,05	72 NBR 902	B1	19325	●
16,00	26,00	7,00	A	smooth	0,05	72 NBR 902	BA	33708	●
16,00	26,00	7,00	AS	smooth	*	72 NBR 902	BABSL	462890	●
16,00	26,00	7,00	B	metal	0,05	72 NBR 902	B1USL	49001664	●
16,00	26,00	7,00	A	smooth	0,05	72 NBR 902	BA	49002635	○
16,00	28,00	7,00	B	metal	0,02	72 NBR 902	B1FUD	335088	●
16,00	28,00	7,00	AS	grooved	0,02	72 NBR 902	BAFUDSLX7	335565	●
16,00	28,00	7,00	A	grooved	0,05	75 FKM 585	BAUMX7	389802	●

● Available from stock ○ On request: Tool is available, delivery at short notice * → Diagram 2, page 18

d ₁	d ₂	b	DIN 3761	Outer surface	Pressure	Material	Type	Article No.	
16,00	28,00	7,00	AS	smooth	0,05	75 FKM 585	BAUMSL	411947	○
16,00	28,00	7,00	A	smooth	0,02	72 NBR 902	BAFUD	49001630	●
16,00	28,00	7,00	AS	smooth	0,05	72 NBR 902	BAUSLX2	49013602	●
16,00	30,00	6,00	B	metal	0,02	72 NBR 902	B1FUD	355469	●
16,00	30,00	7,00	B	metal	0,05	72 NBR 902	B1	19328	●
16,00	30,00	7,00	A	grooved	0,05	75 FKM 585	BAUMX7	386013	●
16,00	30,00	7,00	A	smooth	0,05	72 NBR 902	BAU	6829	●
16,00	30,00	10,00	B	metal	0,05	72 NBR 902	B1	19686	●
16,00	30,00	10,00	C	metal	0,05	72 NBR 902	B2U	22679	●
16,00	30,00	10,00	AS	grooved	0,05	75 FKM 585	BAUMSLX7	468759	●
16,00	30,00	10,00	A	smooth	0,05	72 NBR 902	BAU	6839	●
16,00	32,00	4,00	A	metal	un-pressurised	80 NBR 177458	MSC 01	508516	●
16,00	32,00	4,00	A	metal	un-pressurised	80 FKM 177459	MSC 01	508564	●
16,00	32,00	7,00	B	metal	0,05	72 NBR 902	B1U	11420	●
16,00	32,00	7,00	A	smooth	0,05	72 NBR 902	BA	13972	○
16,00	32,00	7,00	AS	grooved	0,05	75 FKM 585	BAUMSLX7	405810	●
16,00	32,00	7,00	A	smooth	0,05	72 NBR 902	BAUX2	525282	●
16,00	32,00	10,00	C	metal	0,05	72 NBR 902	B2U	22861	●
16,00	32,00	10,00	A	smooth	0,05	72 NBR 902	BAU	6845	●
16,00	35,00	7,00	A	smooth	0,05	72 NBR 902	BA	2746	●
16,00	35,00	7,00	B	metal	0,05	72 NBR 902	B1	2748	●
16,00	35,00	7,00	AS	grooved	0,05	75 FKM 585	BAUMSLX7	404317	●
16,00	35,00	7,00	C	metal	up to 1 MPa	PTFE F56101	B2PT	406531	●
16,00	35,00	9,00	AS	smooth	0,05	72 NBR 902	BASL	6847	○
16,00	35,00	10,00	C	metal	0,05	72 NBR 902	B2	22680	●
16,00	35,00	10,00	B	metal	0,02	72 NBR 902	B1FUD	458568	●
16,00	35,00	10,00	A	smooth	0,05	72 NBR 902	BA	6851	●
16,00	40,00	10,00	C	metal	0,05	72 NBR 902	B2	22863	●
16,00	40,00	10,00	AS	smooth	*	75 FKM 595	BABSL	423803	●
16,00	40,00	10,00	A	smooth	0,05	72 NBR 902	BAU	6857	●
16,00	47,00	7,00	A	grooved	0,05	72 NBR 902	BAUX27	451923	●
17,00	25,00	4,00	A	smooth	0,02	72 NBR 902	BAFUD	12010806	●
17,00	25,00	4,50	A	smooth	0,05	75 FKM 585	BAUM	49016724	●
17,00	26,00	6,00	A	smooth	0,05	72 NBR 902	BA	7616	●
17,00	28,00	6,00	B	metal	0,05	72 NBR 902	B1	19330	●
17,00	28,00	6,00	A	smooth	0,02	72 NBR 902	BAFUD	532597	●
17,00	28,00	7,00	B	metal	0,05	72 NBR 902	B1USL	20066	●
17,00	28,00	7,00	B	metal	0,02	72 NBR 902	B1FUD	335089	●
17,00	28,00	7,00	A	grooved	0,05	75 FKM 585	BAUMX7	398038	●
17,00	28,00	7,00	AS	smooth	0,05	72 NBR 902	BAUSLX2	49001668	●
17,00	28,00	7,00	A	smooth	0,05	72 NBR 902	BAUX2	49023151	●
17,00	28,00	7,00	AS	grooved	0,05	75 FKM 585	BAUMSLX7	520222	●
17,00	28,00	7,00	A	smooth	0,05	72 NBR 902	BA	6870	○
17,00	30,00	6,00	AS	smooth	*	75 FKM 595	BABSL	12013032	●
17,00	30,00	6,00	AS	smooth	*	72 NBR 902	BABSL	12015495	●
17,00	30,00	7,00	B	metal	0,02	72 NBR 902	B1FUD	334378	●
17,00	30,00	7,00	AS	smooth	0,05	72 NBR 902	BASL	384327	○
17,00	30,00	7,00	A	grooved	0,05	75 FKM 585	BAUMX7	399045	●
17,00	30,00	7,00	A	smooth	0,05	72 NBR 902	BAUX2	507567	●
17,00	30,00	7,00	AS	smooth	0,05	72 NBR 902	BASL	6878	●

● Available from stock ○ On request: Tool is available, delivery at short notice * → Diagram 2, page 18

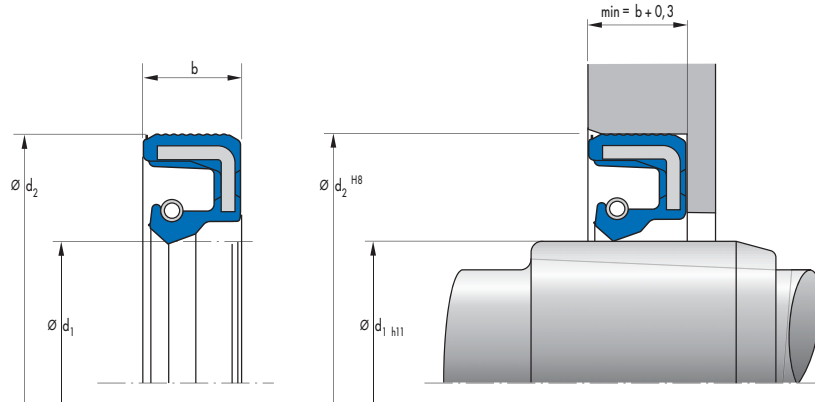


d ₁	d ₂	b	DIN 3761	Outer surface	Pressure	Material	Type	Article No.	
17,00	30,00	10,00	B	metal	0,05	72 NBR 902	B1U	19334	●
17,00	32,00	4,00	A	metal	un-pressurised	80 NBR 177458	MSC 01	508517	●
17,00	32,00	4,00	A	metal	un-pressurised	80 FKM 177459	MSC 01	508565	●
17,00	32,00	7,00	AS	smooth	0,05	72 NBR 902	BASL	2184	●
17,00	32,00	7,00	B	metal	0,05	72 NBR 902	B1U	2749	●
17,00	32,00	7,00	A	grooved	0,02	72 NBR 902	BAFUDX7	355628	●
17,00	32,00	7,00	AS	grooved	0,05	75 FKM 585	BAUMSLX7	405409	●
17,00	32,00	7,00	A	grooved	0,05	75 FKM 585	BAUMX7	407043	●
17,00	32,00	10,00	C	metal	0,05	72 NBR 902	B2	22681	●
17,00	32,00	10,00	A	smooth	0,05	72 NBR 902	BA	6884	●
17,00	33,00	9,00	AS	smooth	0,05	72 NBR 902	BASL	31254	●
17,00	34,00	4,00	B	metal	0,05	72 NBR 902	B1	7893	●
17,00	34,00	6,00	A	metal	un-pressurised	80 FKM 177459	MSC 02	508605	●
17,00	34,00	6,00	A	metal	un-pressurised	80 NBR 177458	MSC 02	508629	●
17,00	35,00	7,00	AS	smooth	*	72 NBR 902	BABSL	12011728	●
17,00	35,00	7,00	B	metal	0,02	72 NBR 902	B1FUD	334937	●
17,00	35,00	7,00	AS	grooved	0,05	75 FKM 585	BAUMSLX7	405803	●
17,00	35,00	7,00	C	metal	up to 1 MPa	PTFE F56101	B2PT	406532	●
17,00	35,00	7,00	A	smooth	0,05	72 NBR 902	BAUX2	478759	●
17,00	35,00	7,00	AS	smooth	0,05	72 NBR 902	BAUSLX2	524144	●
17,00	35,00	8,00	C	metal	0,02	72 NBR 902	B2FUD	334907	●
17,00	35,00	8,00	B	metal	0,02	72 NBR 902	B1FUD	334938	●
17,00	35,00	8,00	A	smooth	0,05	72 NBR 902	BAU	6893	○
17,00	35,00	10,00	C	metal	0,02	72 NBR 902	B2FUD	334908	●
17,00	35,00	10,00	B	metal	0,02	72 NBR 902	B1FUD	335091	●
17,00	35,00	10,00	AS	smooth	0,05	72 NBR 902	BASL	6898	●
17,00	35,00	10,00	A	smooth	0,05	72 NBR 902	BA	6899	●
17,00	37,00	7,00	AS	smooth	0,05	72 NBR 902	BASL	392791	●
17,00	37,00	7,00	A	smooth	0,05	72 NBR 902	BA	6904	●
17,00	40,00	7,00	A	grooved	0,05	75 FKM 585	BAUMX7	400677	●
17,00	40,00	7,00	A	smooth	0,05	72 NBR 902	BAUX2	478443	●
17,00	40,00	7,00	AS	grooved	0,05	75 FKM 585	BAUMSLX7	524290	●
17,00	40,00	7,00	AS	smooth	0,05	72 NBR 902	BAUSLX2	524509	●
17,00	40,00	7,00	B	metal	0,05	72 NBR 902	B1U	8019	●
17,00	40,00	8,50	A	smooth	0,02	72 NBR 902	BAFUD	12010814	●
17,00	40,00	10,00	B	metal	0,05	72 NBR 902	B1U	19692	●

● Available from stock ○ On request: Tool is available, delivery at short notice * → Diagram 2, page 18

d ₁	d ₂	b	DIN 3761	Outer surface	Pressure	Material	Type	Article No.	
17,00	40,00	10,00	C	metal	0,05	72 NBR 902	B2	22865	●
17,00	40,00	10,00	A	smooth	0,05	72 NBR 902	BAU	7653	●
17,00	47,00	7,00	A	grooved	0,02	72 NBR 902	BAUX7	356743	●
17,00	47,00	7,00	A	grooved	0,05	75 FKM 585	BAUMX7	524508	●
17,00	47,00	10,00	C	metal	0,05	72 NBR 902	B2	22866	●
17,00	47,00	10,00	A	smooth	0,05	72 NBR 902	BAU	6924	●
17,50	28,00	6,00	A	smooth	0,02	72 NBR 902	BAFUD	12000066	●
18,00	24,00	4,00	B	metal	0,05	72 NBR 902	B1	11350	●
18,00	28,00	7,00	A	smooth	0,05	72 NBR 902	BA	128888	○
18,00	28,00	7,00	B	metal	0,05	72 NBR 902	B1U	20888	●
18,00	28,00	7,00	A	grooved	0,02	72 NBR 902	BAFUDX7	355487	●
18,00	28,00	7,00	A	grooved	0,05	75 FKM 585	BAUMX7	411518	●
18,00	28,00	7,00	A	grooved	0,05	75 FKM 585	BAUMX7	49002248	○
18,00	30,00	6,00	AS	smooth	*	75 FKM 595	BABSL	116021	●
18,00	30,00	6,00	AS	smooth	*	72 NBR 902	BABSL	478785	●
18,00	30,00	7,00	AS	smooth	*	72 NBR 902	BABSL	12011517	●
18,00	30,00	7,00	AS	grooved	0,02	72 NBR 902	BAFUDSLX7	334286	●
18,00	30,00	7,00	B	metal	0,02	72 NBR 902	B1FUD	335092	●
18,00	30,00	7,00	BS	metal	0,05	72 NBR 902	B1SL	361194	●
18,00	30,00	7,00	A	grooved	0,05	75 FKM 585	BAUMX7	399819	●
18,00	30,00	7,00	A	smooth	0,05	72 NBR 902	BA	7664	●
18,00	32,00	6,00	AS	smooth	*	72 NBR 902	BABSL	12001667	●
18,00	32,00	7,00	B	metal	0,05	72 NBR 902	B1	19345	●
18,00	32,00	7,00	A	smooth	0,05	72 NBR 902	BAU	2751	●
18,00	32,00	7,00	A	grooved	0,05	75 FKM 585	BAUMX7	403077	●
18,00	32,00	7,00	C	metal	up to 1 MPa	PTFE F56101	B2PT	406533	●
18,00	32,00	8,00	AS	smooth	0,05	72 NBR 902	BASL	6959	●
18,00	33,00	4,00	A	metal	un-pressurised	80 NBR 177458	MSC 01	508518	●
18,00	33,00	4,00	A	metal	un-pressurised	80 FKM 177459	MSC 01	508566	●
18,00	35,00	6,00	AS	smooth	*	72 NBR 902	BABSL	2957	●
18,00	35,00	6,00	AS	smooth	*	75 FKM 595	BABSL	49009018	●
18,00	35,00	7,00	B	metal	0,05	72 NBR 902	B1U	2488	●
18,00	35,00	7,00	A	smooth	0,05	72 NBR 902	BA	2752	●
18,00	35,00	7,00	A	grooved	0,05	75 FKM 585	BAUMX7	399825	●
18,00	35,00	7,00	AS	grooved	0,05	75 FKM 585	BAUMSLX27	405796	●
18,00	35,00	7,00	AS	grooved	0,05	72 NBR 902	BAUSLX27	451667	●
18,00	35,00	7,00	AS	grooved	0,05	75 FKM 585	BAUMSLX7	533071	●
18,00	35,00	8,00	C	metal	0,05	72 NBR 902	B2U	22686	●
18,00	35,00	8,00	A	smooth	0,05	72 NBR 902	BA	6967	●
18,00	35,00	10,00	C	metal	0,05	72 NBR 902	B2	22867	●
18,00	35,00	10,00	A	smooth	0,05	72 NBR 902	BAUSL	6978	●
18,00	35,00	10,00	A	smooth	0,05	72 NBR 902	BA	6979	●
18,00	35,00	10,00	A	smooth	0,05	72 NBR 902	BA	6980	○
18,00	37,00	10,00	A	smooth	0,05	72 NBR 902	BA	6984	●
18,00	40,00	7,00	A	smooth	0,05	72 NBR 902	BA	9588	●
18,00	40,00	10,00	C	metal	0,05	72 NBR 902	B2	23516	○
18,00	40,00	10,00	A	smooth	0,05	72 NBR 902	BA	6989	●
18,00	47,00	10,00	AS	smooth	0,05	72 NBR 902	BAUSLX2	520530	●
19,00	27,00	6,00	B	metal	0,05	72 NBR 902	B1U	23774	●
19,00	27,00	6,00	A	smooth	0,05	72 NBR 902	BAU	6994	●

● Available from stock ○ On request: Tool is available, delivery at short notice * → Diagram 2, page 18

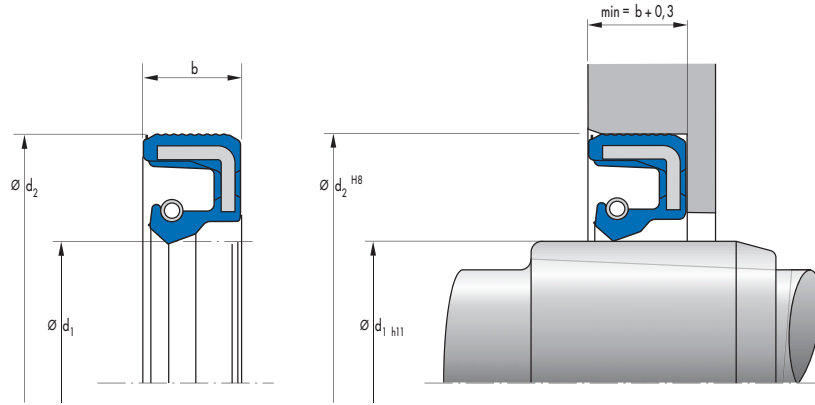


d_1	d_2	b	DIN 3761	Outer surface	Pressure	Material	Type	Article No.	
19,00	30,00	7,00	A	grooved	0,02	72 NBR 902	BAFUDX7	355620	●
19,00	32,00	7,00	B	metal	0,05	72 NBR 902	B1	19346	●
19,00	32,00	7,00	A	smooth	0,05	72 NBR 902	BAU	49002842	●
19,00	35,00	6,00	AS	smooth	*	75 FKM 595	BABSL	466758	●
19,00	35,00	9,00	AS	smooth	0,05	72 NBR 902	BASL	7003	●
19,00	35,00	10,00	C	metal	0,05	72 NBR 902	B2	22870	●
19,00	35,00	10,00	A	smooth	0,05	72 NBR 902	BA	7008	●
19,00	40,00	10,00	A	smooth	0,05	72 NBR 902	BA	7015	●
19,00	47,00	10,00	C	metal	0,05	72 NBR 902	B2	22872	○
19,05	31,75	6,35	AS	smooth	*	72 NBR 902	BABSL	311089	●
19,05	31,75	6,35	A	smooth	0,05	72 NBR 902	BA	7022	●
19,05	38,10	9,50	C	metal	0,05	72 NBR 902	B2	22874	●
20,00	28,00	6,00	B	metal	0,05	72 NBR 902	B1	383388	●
20,00	28,00	6,00	B	metal	0,05	72 NBR 902	B1U	520585	●
20,00	28,00	6,00	A	smooth	0,02	72 NBR 902	BAFUD	532598	●
20,00	30,00	5,00	B	metal	0,02	72 NBR 902	B1FUD	334376	●
20,00	30,00	5,00	A	grooved	0,05	75 FKM 585	BAUMX27	49024463	●
20,00	30,00	5,00	A	smooth	0,05	72 NBR 902	BAUX2	49033332	●
20,00	30,00	5,00	AS	grooved	0,05	75 FKM 585	BAUMSLX27	521225	●
20,00	30,00	5,00	A	smooth	0,05	72 NBR 902	BAUX2	524143	●
20,00	30,00	7,00	AS	smooth	*	72 NBR 902	BABSL	12020180	●
20,00	30,00	7,00	B	metal	0,05	75 FKM 595	B1U	329248	○
20,00	30,00	7,00	BS	metal	0,02	72 NBR 902	B1FUDSL	335093	●
20,00	30,00	7,00	B	metal	0,02	72 NBR 902	B1FUD	355461	○
20,00	30,00	7,00	A	grooved	0,05	75 FKM 585	BAUMX7	399790	●
20,00	30,00	7,00	C	metal	up to 1 MPa	PTFE F56101	B2PT	406536	●
20,00	30,00	7,00	A	smooth	0,05	72 NBR 902	BAUX2	478758	●
20,00	30,00	7,00	AS	smooth	0,05	72 NBR 902	BAUSLX2	524648	●
20,00	32,00	6,00	AS	smooth	*	75 FKM 595	BABSL	520073	●
20,00	32,00	7,00	AS	grooved	0,02	72 NBR 902	BAFUDSLX7	334813	●
20,00	32,00	7,00	A	grooved	0,05	75 FKM 585	BAUMX7	399787	●
20,00	32,00	7,00	C	metal	up to 1 MPa	PTFE F56101	B2PT	406537	●
20,00	32,00	7,00	AS	grooved	0,05	75 FKM 585	BAUMSLX7	466633	●
20,00	32,00	7,00	AS	smooth	*	72 NBR 902	BABSL	49017151	●
20,00	32,00	7,00	A	smooth	0,02	72 NBR 902	BAFUD	532599	●
20,00	32,00	7,00	B	metal	0,05	72 NBR 902	B1U	7919	●

● Available from stock ○ On request: Tool is available, delivery at short notice * → Diagram 2, page 18

d ₁	d ₂	b	DIN 3761	Outer surface	Pressure	Material	Type	Article No.	
20,00	33,00	10,00	A	smooth	0,05	72 NBR 902	BAU	7071	●
20,00	35,00	4,00	A	metal	un-pressurised	80 NBR 177458	MSC 01	508519	●
20,00	35,00	4,00	A	metal	un-pressurised	80 FKM 177459	MSC 01	508567	●
20,00	35,00	6,00	AS	smooth	*	72 NBR 902	BABSL	2959	●
20,00	35,00	6,00	A	grooved	0,02	72 NBR 902	BAFUDX7	334287	●
20,00	35,00	6,00	AS	smooth	*	75 FKM 595	BABSL	468087	○
20,00	35,00	6,00	AS	smooth	*	75 FKM 595	BABSL	49030261	●
20,00	35,00	7,00	BS	metal	0,05	72 NBR 902	B1SL	150731	●
20,00	35,00	7,00	A	grooved	0,05	75 FKM 585	BAUMX7	388022	●
20,00	35,00	7,00	C	metal	up to 1 MPa	PTFE F56101	B2PT	406538	●
20,00	35,00	7,00	A	grooved	0,05	75 FKM 585	BAUMX7	439221	○
20,00	35,00	7,00	A	smooth	0,05	72 NBR 902	BAUX2	478761	●
20,00	35,00	7,00	AS	smooth	0,05	72 NBR 902	BAUSLX2	478764	●
20,00	35,00	7,00	AS	grooved	0,05	75 FKM 585	BAUMSLX7	521004	●
20,00	35,00	7,00	B	metal	0,02	72 NBR 902	B1FUD	532628	●
20,00	35,00	8,00	A	smooth	0,05	72 NBR 902	BAU	7081	●
20,00	35,00	10,00	B	metal	0,05	72 NBR 902	B1U	19698	●
20,00	35,00	10,00	B	metal	0,05	72 NBR 902	B1USL	20070	●
20,00	35,00	10,00	C	metal	0,05	72 NBR 902	B2U	22689	●
20,00	35,00	10,00	A	smooth	0,05	72 NBR 902	BAUX2	49018325	●
20,00	35,00	10,00	A	smooth	0,05	72 NBR 902	BAUSL	7095	●
20,00	36,00	7,00	A	grooved	0,05	75 FKM 585	BAUMX7	478616	●
20,00	36,00	7,00	A	smooth	0,05	72 NBR 902	BAUX2	49007343	●
20,00	37,00	6,00	B	metal	0,05	72 NBR 902	B1	19360	●
20,00	37,00	6,00	A	metal	un-pressurised	80 FKM 177459	MSC 02	508606	●
20,00	37,00	6,00	A	metal	un-pressurised	80 NBR 177458	MSC 02	508630	●
20,00	37,00	6,00	A	grooved	0,05	75 FKM 585	BAUMX7	524289	●
20,00	37,00	6,00	AS	grooved	0,05	75 FKM 585	BAUMSLX7	524329	●
20,00	37,00	10,00	C	metal	0,05	72 NBR 902	B2	22875	●
20,00	37,00	10,00	A	smooth	0,05	72 NBR 902	BAU	7110	●
20,00	38,00	8,00	A	smooth	0,05	72 NBR 902	BA	7112	●
20,00	40,00	6,00	A	smooth	0,05	72 NBR 902	BA	7714	●
20,00	40,00	7,00	B	metal	0,05	72 NBR 902	B1	19362	●
20,00	40,00	7,00	B	metal	0,05	72 NBR 902	B1	19363	●
20,00	40,00	7,00	A	grooved	0,02	72 NBR 902	BAFUDX7	344888	●
20,00	40,00	7,00	BS	metal	0,05	72 NBR 902	B1SL	34892	●
20,00	40,00	7,00	A	grooved	0,05	75 FKM 585	BAUMX7	397819	●
20,00	40,00	7,00	C	metal	up to 1 MPa	PTFE F56101	B2PT	406539	●
20,00	40,00	7,00	AS	smooth	*	75 FKM 595	BABSL	432903	●
20,00	40,00	7,00	AS	smooth	*	72 NBR 902	BABSL	49001289	●
20,00	40,00	7,00	A	smooth	0,05	72 NBR 902	BAUX2	529398	●
20,00	40,00	7,00	A	smooth	0,05	72 NBR 902	BA	7718	○
20,00	40,00	7,00	AS	smooth	0,05	72 NBR 902	BASL	7721	●
20,00	40,00	8,00	A	smooth	0,05	72 NBR 902	BA	7124	●
20,00	40,00	10,00	A	smooth	0,05	72 NBR 902	BA	11604	●
20,00	40,00	10,00	B	metal	0,05	72 NBR 902	B1	19699	●
20,00	40,00	10,00	B	metal	0,05	72 NBR 902	B1USL	20071	●
20,00	40,00	10,00	C	metal	0,05	72 NBR 902	B2U	22877	●
20,00	40,00	10,00	A	smooth	0,05	72 NBR 902	BAU	7136	●
20,00	40,00	14,00	A	smooth	0,05	72 NBR 902	BADUO	7147	○

● Available from stock ○ On request: Tool is available, delivery at short notice * → Diagram 2, page 18

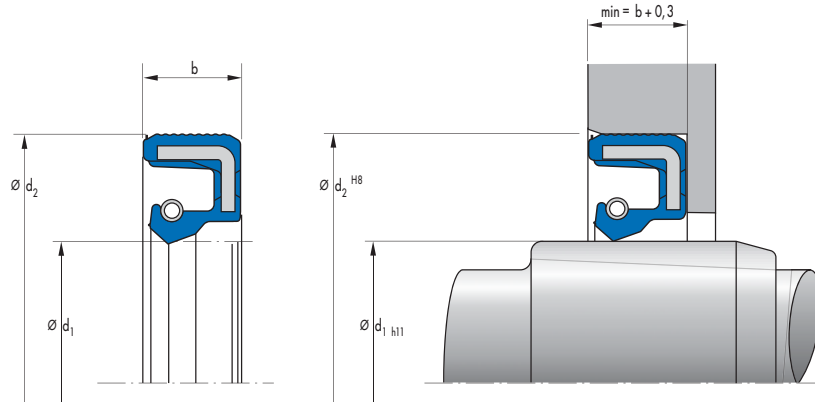


d ₁	d ₂	b	DIN 3761	Outer surface	Pressure	Material	Type	Article No.	
20,00	42,00	6,00	AS	smooth	0,05	75 FKM 585	BAUMSL	527066	●
20,00	42,00	6,00	-	smooth	0,05	75 FKM 585	MSS 1	527075	●
20,00	42,00	7,00	B	metal	0,02	72 NBR 902	B1FUD	334381	●
20,00	42,00	7,00	A	grooved	0,05	75 FKM 585	BAUMX7	403079	●
20,00	42,00	7,00	AS	grooved	0,05	75 FKM 585	BAUMSLX7	405792	●
20,00	42,00	7,00	AS	smooth	0,05	72 NBR 902	BAUSLX2	49004094	●
20,00	42,00	7,00	A	smooth	0,05	72 NBR 902	BAUX2	521667	●
20,00	42,00	10,00	B	metal	0,05	72 NBR 902	B1U	19700	●
20,00	42,00	10,00	C	metal	0,05	72 NBR 902	B2U	22690	●
20,00	42,00	10,00	A	smooth	0,05	72 NBR 902	BA	7723	●
20,00	47,00	7,00	AS	smooth	0,02	72 NBR 902	BAFUDSL	12011119	●
20,00	47,00	7,00	B	metal	0,05	72 NBR 902	B1U	210	●
20,00	47,00	7,00	A	grooved	0,05	75 FKM 585	BAUMX7	399832	●
20,00	47,00	7,00	C	metal	up to 1 MPa	PTFE F56101	B2PT	406540	●
20,00	47,00	7,00	AS	grooved	0,05	75 FKM 585	BAUMSLX7	524288	●
20,00	47,00	7,00	A	smooth	0,05	72 NBR 902	BAUX2	526946	●
20,00	47,00	10,00	C	metal	0,05	72 NBR 902	B2	22878	●
20,00	47,00	10,00	A	smooth	0,05	72 NBR 902	BAU	7724	●
20,00	47,00	10,00	B	metal	0,05	72 NBR 902	B1U	8024	●
20,00	50,00	12,00	C	metal	0,05	72 NBR 902	B2	22879	●
20,00	52,00	6,00	AS	smooth	0,05	75 FKM 585	BAUMSL	531003	●
20,00	52,00	6,00	-	smooth	0,05	75 FKM 585	MSS 1	531002	●
20,00	52,00	7,00	B	metal	0,05	72 NBR 902	B1U	7790	●
20,00	52,00	8,00	AS	smooth	0,05	72 NBR 902	BAUSLX2	526094	●
20,00	52,00	10,00	C	metal	0,05	72 NBR 902	B2	22880	●
20,00	52,00	10,00	A	grooved	0,05	75 FKM 585	BAUMX7	402488	●
20,00	52,00	10,00	A	smooth	0,05	72 NBR 902	BAUX2	478760	●
21,00	30,00	6,50	B	metal	0,05	72 NBR 902	B1	19369	●
21,00	32,00	7,00	B	metal	0,05	72 NBR 902	B1	19371	●
21,00	32,00	7,00	A	smooth	0,05	72 NBR 902	BAUX2	49034522	●
21,00	32,00	7,00	A	smooth	0,05	72 NBR 902	BAU	7194	●
21,00	35,00	8,00	A	smooth	0,05	72 NBR 902	BA	7197	●
21,00	35,00	10,00	C	metal	0,05	72 NBR 902	B2U	22691	●
21,00	40,00	10,00	A	smooth	0,05	72 NBR 902	BAU	7209	●
22,00	32,00	6,00	B	metal	0,05	72 NBR 902	B1U	19376	●
22,00	32,00	6,00	AS	smooth	*	72 NBR 902	BABSL	2966	●

● Available from stock ○ On request: Tool is available, delivery at short notice * → Diagram 2, page 18

d ₁	d ₂	b	DIN 3761	Outer surface	Pressure	Material	Type	Article No.	
22,00	32,00	6,00	AS	smooth	*	75 FKM 595	BABSL	418603	●
22,00	32,00	7,00	BS	metal	0,05	72 NBR 902	B1SL	20072	●
22,00	32,00	7,00	B	metal	0,02	72 NBR 902	B1FUD	335094	●
22,00	32,00	7,00	A	grooved	0,05	75 FKM 585	BAUMX7	402894	●
22,00	32,00	7,00	A	smooth	0,02	72 NBR 902	BAFUD	49001651	●
22,00	32,00	7,00	A	smooth	0,05	72 NBR 902	BA	7217	●
22,00	32,00	7,00	AS	smooth	0,05	72 NBR 902	BASL	7530	●
22,00	33,00	7,00	A	smooth	0,05	72 NBR 902	BAU	8976	●
22,00	35,00	5,00	AS	grooved	0,05	75 FKM 585	BAUMSLX27	520867	●
22,00	35,00	6,00	AS	smooth	*	72 NBR 902	BABSL	2968	●
22,00	35,00	6,00	AS	smooth	*	75 FKM 595	BABSL	348896	●
22,00	35,00	6,50	A	smooth	0,05	72 NBR 902	BAU	7230	●
22,00	35,00	7,00	B	metal	0,05	72 NBR 902	B1U	19705	●
22,00	35,00	7,00	B	metal	0,05	72 NBR 902	B1USL	20073	●
22,00	35,00	7,00	AS	grooved	0,02	72 NBR 902	BAFUDSLX7	346137	●
22,00	35,00	7,00	A	grooved	0,05	75 FKM 585	BAUMX7	388023	●
22,00	35,00	7,00	A	smooth	0,05	72 NBR 902	BAUX2	49001670	●
22,00	35,00	7,00	AS	grooved	0,05	75 FKM 585	BAUMSLX7	520223	●
22,00	35,00	8,00	B	metal	0,05	72 NBR 902	B1	20259	●
22,00	35,00	8,00	A	smooth	0,05	72 NBR 902	BA	7727	●
22,00	35,00	10,00	A	smooth	0,05	72 NBR 902	BAU	7238	●
22,00	37,00	7,00	A	smooth	0,05	72 NBR 902	BA	7243	●
22,00	38,00	8,00	A	smooth	0,05	72 NBR 902	BA	7249	●
22,00	40,00	4,00	A	metal	un-pressurised	80 NBR 177458	MSC 01	508520	●
22,00	40,00	4,00	A	metal	un-pressurised	80 FKM 177459	MSC 01	508568	●
22,00	40,00	7,00	A	smooth	0,02	72 NBR 902	BAFUD	12011120	●
22,00	40,00	7,00	B	metal	0,05	72 NBR 902	B1	13976	●
22,00	40,00	7,00	B	metal	0,05	72 NBR 902	B1USL	3489	●
22,00	40,00	7,00	A	grooved	0,05	75 FKM 585	BAUMX7	410775	●
22,00	40,00	7,00	AS	smooth	0,05	72 NBR 902	BAUSLX2	478610	●
22,00	40,00	7,00	A	smooth	0,05	72 NBR 902	BAUX2	478757	●
22,00	40,00	7,00	AS	smooth	*	75 FKM 595	BABSL	49028556	○
22,00	40,00	7,00	AS	grooved	0,05	75 FKM 585	BAUMSLX7	520028	●
22,00	40,00	7,00	A	grooved	0,05	75 FKM 585	BAUMX7	528161	○
22,00	40,00	8,00	A	smooth	0,05	72 NBR 902	BAU	7252	●
22,00	40,00	9,00	AS	smooth	0,05	72 NBR 902	BASL	7254	○
22,00	40,00	10,00	B	metal	0,05	72 NBR 902	B1U	19707	●
22,00	40,00	10,00	C	metal	0,05	72 NBR 902	B2U	22883	●
22,00	40,00	10,00	A	smooth	0,05	72 NBR 902	BAU	7259	●
22,00	42,00	10,00	B	metal	0,05	72 NBR 902	B1	19708	●
22,00	42,00	10,00	C	metal	0,05	72 NBR 902	B2	22884	●
22,00	42,00	10,00	A	smooth	0,05	72 NBR 902	BAU	7269	●
22,00	45,00	7,00	A	smooth	0,05	72 NBR 902	BAU	7273	●
22,00	47,00	7,00	B	metal	0,05	72 NBR 902	B1	2720	●
22,00	47,00	7,00	AS	grooved	0,05	75 FKM 585	BAUMSLX7	405788	●
22,00	47,00	7,00	A	grooved	0,05	75 FKM 585	BAUMX7	523972	●
22,00	47,00	7,00	A	smooth	0,05	72 NBR 902	BAUX2	524511	●
22,00	47,00	7,00	AS	smooth	0,05	72 NBR 902	BAUSLX2	526318	●
22,00	47,00	9,00	C	metal	0,05	72 NBR 902	B2	38026	○
22,00	47,00	10,00	B	metal	0,05	72 NBR 902	B1U	19709	○

● Available from stock ○ On request: Tool is available, delivery at short notice * → Diagram 2, page 18

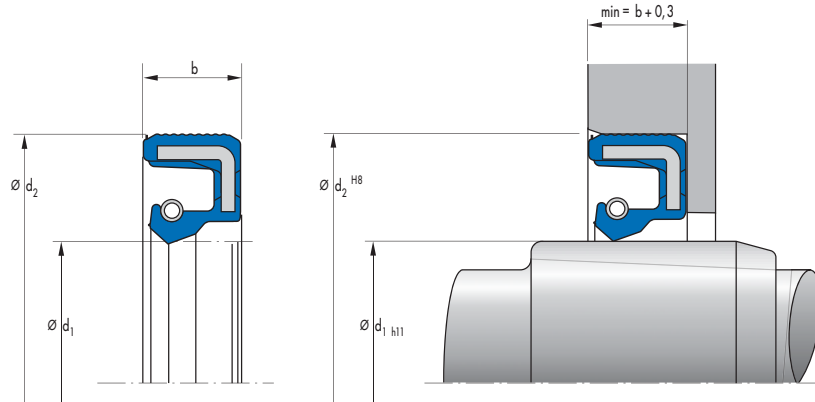


d ₁	d ₂	b	DIN 3761	Outer surface	Pressure	Material	Type	Article No.	
22,00	47,00	10,00	C	metal	0,05	72 NBR 902	B2U	22693	●
22,00	47,00	10,00	A	smooth	0,05	72 NBR 902	BAU	7282	●
22,00	52,00	10,00	AS	grooved	0,05	75 FKM 585	BAUMSLX7	523044	●
22,00	62,00	10,00	AS	smooth	0,05	72 NBR 902	BAUSLX2	520529	●
23,00	40,00	8,00	AS	grooved	0,02	72 NBR 902	BAFUDSLX7	397856	○
23,00	40,00	8,00	A	smooth	0,05	72 NBR 902	BAU	7301	●
23,00	40,00	10,00	C	metal	0,05	72 NBR 902	B2	22886	○
23,00	40,00	10,00	A	grooved	0,02	72 NBR 902	BAFUDX7	334797	●
23,00	42,00	10,00	A	smooth	0,05	72 NBR 902	BAU	339040	●
23,00	47,00	10,00	A	smooth	0,05	72 NBR 902	BA	7311	●
24,00	32,00	7,00	BS	metal	0,05	72 NBR 902	B1SL	20074	●
24,00	35,00	7,00	B	metal	0,05	72 NBR 902	B1	13985	●
24,00	35,00	7,00	A	grooved	0,05	75 FKM 585	BAUMX7	394587	●
24,00	35,00	7,00	A	smooth	0,05	72 NBR 902	BAU	523554	●
24,00	36,00	6,00	B	metal	0,05	72 NBR 902	B1	19388	●
24,00	36,00	7,00	AS	smooth	0,05	72 NBR 902	BASL	7325	●
24,00	36,00	9,00	A	smooth	0,05	72 NBR 902	BAU	7329	●
24,00	37,00	7,00	A	grooved	0,05	75 FKM 585	BAUMX7	397820	●
24,00	37,00	7,00	A	smooth	0,05	72 NBR 902	BAU	7331	●
24,00	37,00	7,00	B	metal	0,05	72 NBR 902	B1	7942	●
24,00	40,00	4,00	A	metal	un-pressurised	80 NBR 177458	MSC 01	508521	●
24,00	40,00	4,00	A	metal	un-pressurised	80 FKM 177459	MSC 01	508569	●
24,00	40,00	7,00	B	metal	0,05	72 NBR 902	B1U	2721	●
24,00	40,00	7,00	A	smooth	0,05	72 NBR 902	BA	37887	●
24,00	40,00	7,00	AS	grooved	0,05	75 FKM 585	BAUMSLX7	404319	●
24,00	40,00	7,00	AS	smooth	*	72 NBR 902	BABSL	432530	●
24,00	40,00	10,00	C	metal	0,05	72 NBR 902	B2U	22888	●
24,00	40,00	10,00	A	smooth	0,05	72 NBR 902	BAU	7337	●
24,00	42,00	10,00	C	metal	0,05	72 NBR 902	B2U	22889	●
24,00	42,00	10,00	A	smooth	0,05	72 NBR 902	BA	7340	●
24,00	47,00	7,00	A	smooth	0,05	72 NBR 902	BA	13989	●
24,00	47,00	7,00	B	metal	0,05	72 NBR 902	B1	2723	●
24,00	47,00	10,00	B	metal	0,05	72 NBR 902	B1U	19713	●
24,00	47,00	10,00	A	smooth	0,05	72 NBR 902	BAUX2	533292	●
24,00	47,00	10,00	C	metal	0,05	72 NBR 902	B2U	8071	●
24,00	50,00	10,00	A	smooth	0,05	72 NBR 902	BAU	7350	●

● Available from stock ○ On request: Tool is available, delivery at short notice * → Diagram 2, page 18

d ₁	d ₂	b	DIN 3761	Outer surface	Pressure	Material	Type	Article No.	
24,00	52,00	12,00	C	metal	0,05	72 NBR 902	B2U	22893	●
24,00	62,00	10,00	A	grooved	0,05	72 NBR 902	BAUX27	451668	●
25,00	32,00	5,00	B	metal	un-pressurised	72 NBR 902	B1OF	23841	●
25,00	32,00	7,00	BS	metal	0,02	72 NBR 902	B1FUDSL	335096	●
25,00	33,00	6,00	A	smooth	0,05	72 NBR 902	BA	347393	○
25,00	33,00	6,00	A	smooth	0,02	72 NBR 902	BAFUD	532600	●
25,00	35,00	6,00	AS	smooth	*	72 NBR 902	BABSL	2990	●
25,00	35,00	6,00	AS	smooth	*	75 FKM 595	BABSL	342369	●
25,00	35,00	7,00	A	smooth	0,05	72 NBR 902	BADUO	3473	○
25,00	35,00	7,00	A	grooved	0,05	75 FKM 585	BAUMX7	397821	●
25,00	35,00	7,00	AS	smooth	0,05	72 NBR 902	BAUSLX2	478777	●
25,00	35,00	7,00	A	smooth	0,05	72 NBR 902	BAUX2	49001662	●
25,00	35,00	7,00	A	smooth	0,05	72 NBR 902	BAUX2	49010730	○
25,00	35,00	7,00	AS	grooved	0,05	75 FKM 585	BAUMSLX7	49027215	●
25,00	35,00	7,00	B	metal	0,02	72 NBR 902	B1FUD	532629	●
25,00	35,00	8,00	A	smooth	0,05	72 NBR 902	BAU	7374	●
25,00	36,00	6,00	AS	smooth	*	72 NBR 902	BABSL	527283	●
25,00	36,00	7,00	A	smooth	0,05	72 NBR 902	BA	7380	●
25,00	37,00	5,00	A	smooth	0,02	72 NBR 902	BAFUD	12010847	●
25,00	37,00	6,00	AS	smooth	*	72 NBR 902	BABSL	49009338	●
25,00	37,00	6,00	AS	smooth	*	75 FKM 595	BABSL	520074	●
25,00	37,00	7,00	B	metal	0,05	72 NBR 902	B1U	19392	●
25,00	37,00	7,00	A	smooth	0,05	72 NBR 902	BA	317308	○
25,00	37,00	7,00	A	smooth	0,05	72 NBR 902	BAUX2	49028651	●
25,00	37,00	7,00	A	smooth	0,05	75 FKM 585	BAUM	49033008	●
25,00	38,00	7,00	B	metal	0,05	72 NBR 902	B1	19394	●
25,00	38,00	7,00	C	metal	up to 1 MPa	PTFE F56101	B2PT	406568	●
25,00	38,00	7,00	A	grooved	0,05	75 FKM 585	BAUMX7	410776	●
25,00	38,00	7,00	AS	grooved	0,05	75 FKM 585	BAUMSLX7	529448	●
25,00	38,00	7,00	A	smooth	0,05	72 NBR 902	BA	7389	●
25,00	40,00	4,00	A	metal	un-pressurised	80 NBR 177458	MSC 01	508522	●
25,00	40,00	4,00	A	metal	un-pressurised	80 FKM 177459	MSC 01	508571	●
25,00	40,00	5,00	A	smooth	0,05	75 FKM 595	BAUM	342330	○
25,00	40,00	5,00	A	grooved	0,02	72 NBR 902	BAFUDX27	355425	●
25,00	40,00	5,00	A	grooved	0,05	75 FKM 585	BAUMX27	526412	●
25,00	40,00	6,00	B	metal	0,05	72 NBR 902	B1	19395	●
25,00	40,00	7,00	AS	smooth	*	72 NBR 902	BABSL	307424	●
25,00	40,00	7,00	A	smooth	0,05	72 NBR 902	BAU	324743	●
25,00	40,00	7,00	B	metal	0,05	72 NBR 902	B1U	3579	●
25,00	40,00	7,00	AS	smooth	*	75 FKM 595	BABSL	366923	●
25,00	40,00	7,00	A	grooved	0,05	75 FKM 585	BAUMX7	400258	●
25,00	40,00	7,00	C	metal	up to 1 MPa	PTFE F56101	B2PT	406569	●
25,00	40,00	7,00	AS	grooved	0,05	75 FKM 585	BAUMSLX7	410111	●
25,00	40,00	7,00	AS	smooth	0,05	72 NBR 902	BAUSLX2	524142	●
25,00	40,00	7,00	A	smooth	0,05	72 NBR 902	BAUX2	529328	●
25,00	40,00	8,00	B	metal	0,05	72 NBR 902	B1U	19716	●
25,00	40,00	8,00	AS	smooth	0,05	75 FKM 585	BAUMSL	423186	○
25,00	40,00	8,00	AS	smooth	0,05	72 NBR 902	BAUSLX2	49017913	●
25,00	40,00	9,00	C	metal	0,05	72 NBR 902	B2U	2490	●
25,00	40,00	9,00	A	smooth	0,05	72 NBR 902	BAUSL	7413	●

● Available from stock ○ On request: Tool is available, delivery at short notice * → Diagram 2, page 18

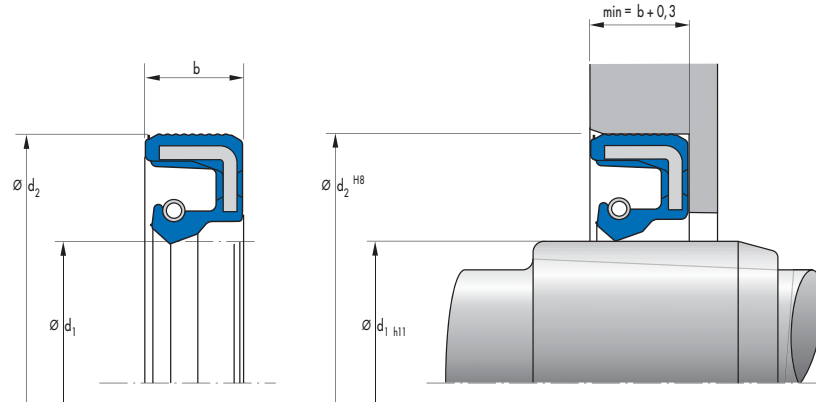


d ₁	d ₂	b	DIN 3761	Outer surface	Pressure	Material	Type	Article No.	
25,00	40,00	10,00	B	metal	0,05	72 NBR 902	B1U	19717	●
25,00	40,00	10,00	C	metal	0,05	72 NBR 902	B2U	22694	●
25,00	40,00	10,00	A	grooved	0,02	72 NBR 902	BAFUDX7	334805	●
25,00	41,00	10,00	C	metal	0,05	72 NBR 902	B2	22894	○
25,00	42,00	6,00	AS	smooth	*	72 NBR 902	BABSL	12001675	●
25,00	42,00	6,00	A	smooth	0,02	72 NBR 902	BAFUD	12010853	●
25,00	42,00	6,00	A	smooth	0,05	75 FKM 585	BAUM	49036524	○
25,00	42,00	6,00	A	metal	un-pressurised	80 FKM 177459	MSC 02	508607	●
25,00	42,00	6,00	A	metal	un-pressurised	80 NBR 177458	MSC 02	508631	●
25,00	42,00	6,00	AS	smooth	0,05	72 NBR 902	BAUSLX2	522901	●
25,00	42,00	6,00	AS	smooth	0,05	75 FKM 585	BAUMSL	522919	●
25,00	42,00	6,00	AS	smooth	*	75 FKM 595	BABSL	523934	●
25,00	42,00	7,00	A	smooth	0,05	72 NBR 902	BAU	112421	○
25,00	42,00	7,00	B	metal	0,05	75 FKM 595	B1U	329294	○
25,00	42,00	7,00	B	metal	0,02	72 NBR 902	B1FUD	334379	●
25,00	42,00	7,00	A	grooved	0,05	75 FKM 585	BAUMX7	390889	●
25,00	42,00	7,00	C	metal	up to 1 MPa	PTFE F56101	B2PT	406570	●
25,00	42,00	7,00	A	grooved	0,05	75 FKM 585	BAUMX7	439222	○
25,00	42,00	7,00	A	smooth	0,05	72 NBR 902	BAUX2	478756	●
25,00	42,00	7,00	AS	smooth	0,05	72 NBR 902	BAUSLX2	478776	●
25,00	42,00	7,00	A	grooved	0,05	75 FKM 585	BAUMX7	522783	○
25,00	42,00	9,00	C	metal	0,05	72 NBR 902	B2U	4571	●
25,00	42,00	10,00	B	metal	0,05	72 NBR 902	B1U	19718	●
25,00	42,00	10,00	B	metal	0,05	72 NBR 902	B1	19719	●
25,00	42,00	10,00	BS	metal	0,05	72 NBR 902	B1SL	20077	●
25,00	42,00	10,00	C	metal	0,05	72 NBR 902	B2U	22895	●
25,00	42,00	10,00	A	grooved	0,02	72 NBR 902	BAFUDX7	334806	●
25,00	42,00	10,00	A	smooth	0,05	72 NBR 902	BA	7426	●
25,00	42,90	9,50	B	metal	0,05	72 NBR 902	B1	19720	●
25,00	42,90	9,50	A	smooth	0,05	72 NBR 902	BA	7746	●
25,00	43,00	10,00	A	smooth	0,05	72 NBR 902	BA	7438	●
25,00	45,00	7,00	A	grooved	0,05	75 FKM 585	BAUMX7	410777	●
25,00	45,00	10,00	B	metal	0,05	72 NBR 902	B1U	19721	●
25,00	45,00	10,00	C	metal	0,05	72 NBR 902	B2	22896	●
25,00	45,00	10,00	A	smooth	0,05	72 NBR 902	BA	7446	●
25,00	45,00	10,00	A	smooth	0,05	72 NBR 902	BAUSL	7755	●

● Available from stock ○ On request: Tool is available, delivery at short notice * → Diagram 2, page 18

d ₁	d ₂	b	DIN 3761	Outer surface	Pressure	Material	Type	Article No.	
25,00	45,00	14,00	A	smooth	0,05	72 NBR 902	BADUO	7453	○
25,00	46,00	7,00	A	smooth	0,05	72 NBR 902	BAU	7457	●
25,00	47,00	6,00	AS	smooth	*	72 NBR 902	BABSL	2991	●
25,00	47,00	6,00	AS	smooth	*	75 FKM 595	BABSL	418622	●
25,00	47,00	7,00	AS	smooth	0,02	72 NBR 902	BAFUDSL	12011125	●
25,00	47,00	7,00	B	metal	0,02	72 NBR 902	B1FUD	334939	●
25,00	47,00	7,00	BS	metal	0,02	72 NBR 902	B1FUDSL	355474	●
25,00	47,00	7,00	A	grooved	0,05	75 FKM 585	BAUMX7	388045	●
25,00	47,00	7,00	C	metal	up to 1 MPa	PTFE F56101	B2PT	406571	●
25,00	47,00	7,00	AS	grooved	0,05	75 FKM 585	BAUMSLX7	436712	●
25,00	47,00	7,00	A	grooved	0,02	72 NBR 902	BAFUDX7	466318	○
25,00	47,00	7,00	A	smooth	0,05	72 NBR 902	BAUX2	478755	●
25,00	47,00	7,00	AS	smooth	0,05	72 NBR 902	BAUSLX2	478790	●
25,00	47,00	8,00	BS	metal	0,02	72 NBR 902	B1FUDSL	421018	●
25,00	47,00	8,00	A	smooth	0,05	72 NBR 902	BA	7460	●
25,00	47,00	9,00	C	metal	0,02	72 NBR 902	B2FUD	334909	●
25,00	47,00	10,00	CS	metal	0,05	72 NBR 902	B2SL	33189	●
25,00	47,00	10,00	C	metal	0,02	72 NBR 902	B2FUD	334910	●
25,00	47,00	10,00	B	metal	0,02	72 NBR 902	B1FUD	334940	●
25,00	47,00	10,00	BS	metal	0,02	72 NBR 902	B1FUDSL	334941	●
25,00	47,00	10,00	A	grooved	0,02	72 NBR 902	BAFUDX7	355411	●
25,00	47,00	10,00	AS	smooth	0,05	75 FKM 585	BAUMSL	527065	●
25,00	47,00	10,00	A	smooth	0,05	72 NBR 902	BA	7467	●
25,00	47,00	10,00	-	smooth	0,05	75 FKM 585	MSS 1	527074	●
25,00	50,00	7,00	AS	grooved	0,05	75 FKM 585	BAUMSLX7	410112	●
25,00	50,00	10,00	B	metal	0,05	72 NBR 902	B1U	19723	●
25,00	50,00	10,00	C	metal	0,05	72 NBR 902	B2	22898	●
25,00	50,00	10,00	A	smooth	0,05	72 NBR 902	BA	7483	●
25,00	50,00	12,00	C	metal	0,05	72 NBR 902	B2	22899	●
25,00	52,00	7,00	B	metal	0,02	72 NBR 902	B1FUD	334942	●
25,00	52,00	7,00	B	metal	0,05	72 NBR 902	B1USL	3494	●
25,00	52,00	7,00	A	grooved	0,05	75 FKM 585	BAUMX7	400698	●
25,00	52,00	7,00	C	metal	up to 1 MPa	PTFE F56101	B2PT	406572	●
25,00	52,00	7,00	AS	grooved	0,05	75 FKM 585	BAUMSLX7	524117	●
25,00	52,00	7,00	AS	smooth	0,05	72 NBR 902	BAUSLX2	524698	●
25,00	52,00	7,00	A	smooth	0,02	72 NBR 902	BAFUD	532617	●
25,00	52,00	8,00	B	metal	0,02	72 NBR 902	B1FUD	334943	●
25,00	52,00	8,00	A	smooth	0,05	72 NBR 902	BA	7488	●
25,00	52,00	9,00	C	metal	0,02	72 NBR 902	B2FUD	334911	●
25,00	52,00	10,00	A	grooved	0,02	72 NBR 902	BAFUDX7	334818	●
25,00	52,00	10,00	C	metal	0,02	72 NBR 902	B2FUD	334912	●
25,00	52,00	10,00	B	metal	0,02	72 NBR 902	B1FUD	334944	●
25,00	52,00	10,00	A	smooth	0,05	72 NBR 902	BAU	523415	●
25,00	52,00	12,00	B	metal	0,05	72 NBR 902	B1USL	20123	●
25,00	52,00	12,00	C	metal	0,02	72 NBR 902	B2FUD	334913	●
25,00	52,00	12,00	B	metal	0,02	72 NBR 902	B1FUD	334946	●
25,00	62,00	7,00	B	metal	0,05	72 NBR 902	B1U	128732	●
25,00	62,00	7,00	A	grooved	0,05	75 FKM 585	BAUMX7	422899	●
25,00	62,00	7,00	AS	grooved	0,05	72 NBR 902	BAUSLX27	451924	●
25,00	62,00	10,00	A	grooved	0,02	72 NBR 902	BAFUDX7	423372	●

● Available from stock ○ On request: Tool is available, delivery at short notice * → Diagram 2, page 18

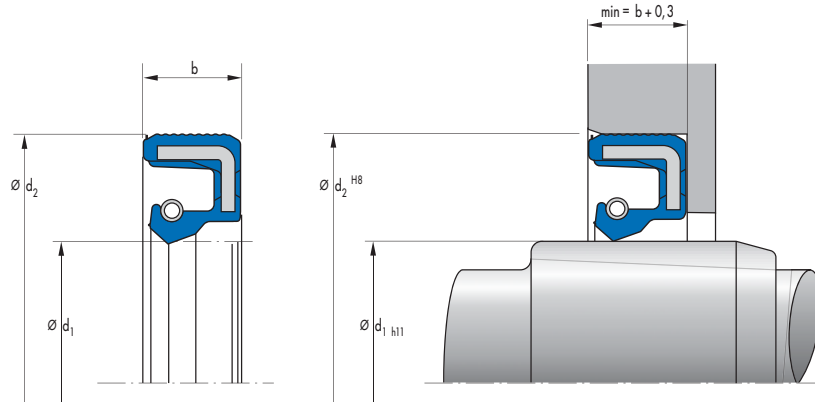


d ₁	d ₂	b	DIN 3761	Outer surface	Pressure	Material	Type	Article No.	
25,00	62,00	10,00	A	smooth	0,05	72 NBR 902	BAU	7503	●
25,00	62,00	12,00	C	metal	0,05	72 NBR 902	B2	22902	●
25,40	38,08	6,76	BS	metal	0,02	72 NBR 902	B1FUDSL	366325	○
25,40	38,10	6,35	AS	smooth	*	72 NBR 902	BABSL	427899	○
26,00	35,00	7,00	AS	smooth	0,02	72 NBR 902	BAFUDSL	12000470	●
26,00	35,00	7,00	B	metal	0,05	72 NBR 902	B1U	7947	●
26,00	36,00	7,00	A	smooth	0,05	72 NBR 902	BAU	7520	●
26,00	37,00	7,00	B	metal	0,05	72 NBR 902	B1	19407	●
26,00	37,00	7,00	A	smooth	0,05	72 NBR 902	BAUSL	3402	●
26,00	37,00	7,00	AS	grooved	0,05	75 FKM 585	BAUMSLX7	407128	●
26,00	37,00	7,00	A	smooth	0,05	72 NBR 902	BAU	7525	●
26,00	40,00	4,00	A	metal	un-pressurised	80 NBR 177458	MSC 01	508523	●
26,00	40,00	4,00	A	metal	un-pressurised	80 FKM 177459	MSC 01	508572	●
26,00	40,00	6,00	AS	smooth	*	75 FKM 595	BABSL	426478	●
26,00	42,00	7,00	AS	smooth	0,02	72 NBR 902	BAFUDSL	12011128	●
26,00	42,00	7,00	B	metal	0,05	72 NBR 902	B1U	2273	●
26,00	42,00	7,00	A	grooved	0,02	72 NBR 902	BAFUDX7	355636	●
26,00	42,00	7,00	A	grooved	0,05	75 FKM 585	BAUMX7	402895	●
26,00	42,00	7,00	AS	smooth	*	75 FKM 595	BABSL	49021064	●
26,00	42,00	10,00	C	metal	0,05	72 NBR 902	B2U	22905	●
26,00	42,00	10,00	AS	smooth	0,05	72 NBR 902	BASL	308072	●
26,00	42,00	10,00	B	metal	0,02	72 NBR 902	B1FUD	407513	●
26,00	42,00	10,00	A	smooth	0,05	72 NBR 902	BA	7535	●
26,00	42,90	9,50	B	metal	0,05	72 NBR 902	B1	19728	○
26,00	45,00	10,00	B	metal	0,02	72 NBR 902	B1FUD	341006	●
26,00	47,00	7,00	A	grooved	0,05	75 FKM 585	BAUMX7	388813	●
26,00	47,00	7,00	A	smooth	0,05	72 NBR 902	BAU	9567	●
26,00	47,00	10,00	C	metal	0,05	72 NBR 902	B2	22906	●
26,00	47,00	10,00	A	smooth	0,05	72 NBR 902	BAU	7540	●
26,00	50,00	10,00	A	smooth	0,05	72 NBR 902	BA	7546	●
26,00	52,00	8,00	A	smooth	0,02	72 NBR 902	BAFUD	12010869	●
26,00	52,00	10,00	A	smooth	0,05	72 NBR 902	BAU	7549	●
26,00	52,00	12,00	B	metal	0,05	72 NBR 902	B1U	426389	●
27,00	37,00	7,00	A	smooth	0,05	72 NBR 902	BAU	39052	●
27,00	39,00	6,00	AS	smooth	*	75 FKM 595	BABSL	49012698	○
27,00	41,00	10,00	C	metal	0,05	72 NBR 902	B2U	22700	●

● Available from stock ○ On request: Tool is available, delivery at short notice * → Diagram 2, page 18

d ₁	d ₂	b	DIN 3761	Outer surface	Pressure	Material	Type	Article No.	
27,00	41,00	10,00	A	smooth	0,05	72 NBR 902	BA	7558	●
27,00	42,00	10,00	A	smooth	0,02	72 NBR 902	BAFUD	12010871	●
27,00	42,00	10,00	C	metal	0,05	72 NBR 902	B2	22701	●
27,00	47,00	6,00	A	smooth	0,05	72 NBR 902	BA	12010872	●
27,00	47,00	7,00	A	smooth	0,05	72 NBR 902	BA	7564	●
27,00	47,00	10,00	B	metal	0,05	72 NBR 902	B1	19731	●
27,00	47,00	10,00	C	metal	0,05	72 NBR 902	B2	22911	●
27,00	47,00	10,00	A	smooth	0,05	72 NBR 902	BA	7567	●
27,00	52,00	8,00	A	smooth	0,05	72 NBR 902	BA	7573	●
27,00	52,00	10,00	A	smooth	0,05	72 NBR 902	BA	7576	●
27,00	62,00	12,00	C	metal	0,05	72 NBR 902	B2	22914	○
28,00	35,00	6,00	B	metal	un-pressurised	72 NBR 902	B1 OF	428755	●
28,00	36,00	8,00	A	grooved	0,02	72 NBR 902	BAFUDX7	520461	●
28,00	38,00	7,00	AS	grooved	0,05	75 FKM 585	BAUMSLX7	410113	●
28,00	38,00	7,00	A	grooved	0,05	75 FKM 585	BAUMX7	523862	●
28,00	38,00	7,00	A	smooth	0,05	72 NBR 902	BAU	7582	●
28,00	38,00	7,00	B	metal	0,05	72 NBR 902	B1U	7957	●
28,00	40,00	6,00	AS	smooth	*	72 NBR 902	BABSL	338223	●
28,00	40,00	6,00	AS	smooth	*	75 FKM 595	BABSL	339414	●
28,00	40,00	7,00	B	metal	0,05	72 NBR 902	B1	19410	●
28,00	40,00	7,00	A	grooved	0,02	72 NBR 902	BAFUDX7	355391	●
28,00	40,00	7,00	A	grooved	0,05	75 FKM 585	BAUMX7	400715	●
28,00	40,00	7,00	AS	smooth	0,05	75 FKM 595	BAUMSL	410719	○
28,00	40,00	7,00	AS	smooth	*	72 NBR 902	BABSL	523549	●
28,00	40,00	7,00	AS	smooth	0,05	72 NBR 902	BASL	7771	●
28,00	40,00	7,50	C	metal	0,05	72 NBR 902	B2	38409	●
28,00	40,00	8,00	AS	smooth	*	75 FKM 595	BABSL	404676	●
28,00	40,00	8,00	AS	smooth	*	72 NBR 902	BABSL	432619	●
28,00	40,00	9,00	AS	smooth	*	72 NBR 902	BABSL	68078	●
28,00	40,00	10,00	B	metal	0,05	72 NBR 902	B1U	19412	●
28,00	42,00	7,00	B	metal	0,05	72 NBR 902	B1	251	●
28,00	42,00	8,00	B	metal	0,05	72 NBR 902	B1	19413	●
28,00	42,00	8,00	AS	grooved	0,05	72 NBR 902	BAUSLX27	451925	●
28,00	42,00	8,00	A	smooth	0,05	72 NBR 902	BA	7601	●
28,00	42,00	10,00	AS	smooth	0,05	72 NBR 902	BASL	7603	●
28,00	42,50	8,00	B	metal	0,05	72 NBR 902	B1	19732	●
28,00	42,50	8,00	A	smooth	0,05	72 NBR 902	BA	7605	●
28,00	42,90	9,50	B	metal	0,05	72 NBR 902	B1	19415	●
28,00	42,90	9,50	A	smooth	0,05	72 NBR 902	BA	7608	●
28,00	43,00	4,00	A	metal	un-pressurised	80 NBR 177458	MSC 01	508524	●
28,00	43,00	4,00	A	metal	un-pressurised	80 FKM 177459	MSC 01	508573	●
28,00	43,00	10,00	A	smooth	0,05	72 NBR 902	BA	7611	●
28,00	45,00	7,50	B	metal	0,05	72 NBR 902	B1U	19416	●
28,00	45,00	7,50	A	grooved	0,02	72 NBR 902	BAFUDX7	520462	●
28,00	45,00	8,00	AS	grooved	0,05	75 FKM 585	BAUMSLX7	474113	●
28,00	47,00	5,00	A	smooth	0,05	72 NBR 902	BA	7613	●
28,00	47,00	7,00	AS	smooth	0,02	72 NBR 902	BAFUDSL	12011130	●
28,00	47,00	7,00	B	metal	0,05	72 NBR 902	B1	2730	●
28,00	47,00	7,00	A	grooved	0,05	75 FKM 585	BAUMX7	390252	●
28,00	47,00	7,00	C	metal	up to 1 MPa	PTFE F56101	B2PT	406616	●

● Available from stock ○ On request: Tool is available, delivery at short notice * → Diagram 2, page 18

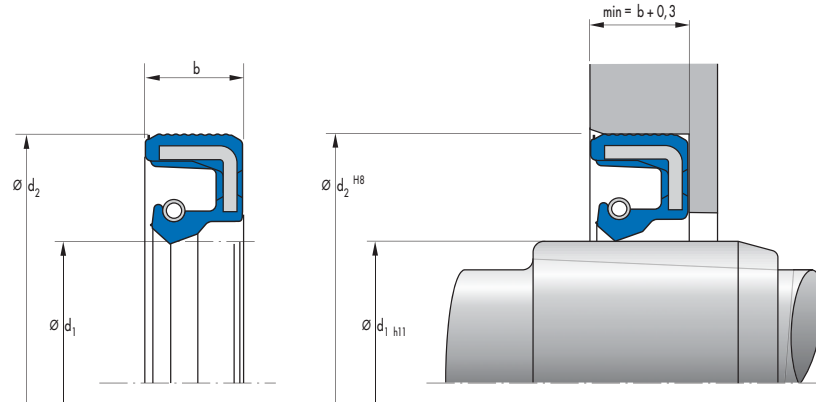


d_1	d_2	b	DIN 3761	Outer surface	Pressure	Material	Type	Article No.	
28,00	47,00	7,00	A	smooth	0,05	72 NBR 902	BAUX2	478466	●
28,00	47,00	7,00	AS	smooth	0,05	72 NBR 902	BAUSLX2	49037522	●
28,00	47,00	7,00	AS	grooved	0,05	75 FKM 585	BAUMSLX7	521005	●
28,00	47,00	9,00	C	metal	0,05	72 NBR 902	B2	2479	●
28,00	47,00	9,00	AS	smooth	0,05	72 NBR 902	BASL	7618	●
28,00	47,00	10,00	B	metal	0,05	72 NBR 902	B1	19733	●
28,00	47,00	10,00	BS	metal	0,05	72 NBR 902	B1SL	20126	●
28,00	47,00	10,00	C	metal	0,05	72 NBR 902	B2	22915	●
28,00	47,00	10,00	A	smooth	0,05	72 NBR 902	BAU	7623	●
28,00	50,00	10,00	C	metal	0,05	72 NBR 902	B2U	22704	●
28,00	50,00	10,00	A	smooth	0,05	72 NBR 902	BAU	7631	●
28,00	50,00	12,00	C	metal	0,05	72 NBR 902	B2U	22916	●
28,00	52,00	7,00	A	smooth	0,05	72 NBR 902	BAU	13990	●
28,00	52,00	7,00	B	metal	0,05	72 NBR 902	B1U	13994	●
28,00	52,00	7,00	A	grooved	0,05	75 FKM 585	BAUMX7	400263	●
28,00	52,00	7,00	AS	grooved	0,05	72 NBR 902	BAUSLX27	451926	●
28,00	52,00	7,00	AS	smooth	0,05	75 FKM 585	BAUMSL	49011964	●
28,00	52,00	9,00	C	metal	0,05	72 NBR 902	B2	19623	●
28,00	52,00	10,00	C	metal	0,05	72 NBR 902	B2U	22705	●
28,00	52,00	10,00	AS	smooth	0,05	72 NBR 902	BAUSLX2	49037521	●
28,00	52,00	10,00	AS	smooth	0,02	72 NBR 902	BAFUDSL	532618	●
28,00	52,00	10,00	A	smooth	0,05	72 NBR 902	BAU	7639	●
28,00	52,00	12,00	C	metal	0,05	72 NBR 902	B2	22917	●
28,00	55,00	9,00	A	smooth	0,05	72 NBR 902	BA	7645	●
28,00	62,00	12,00	C	metal	0,05	72 NBR 902	B2	22919	●
28,00	72,00	10,00	A	grooved	0,05	72 NBR 902	BAUX27	451927	●
29,00	42,90	9,50	A	smooth	0,05	72 NBR 902	BA	7650	●
29,00	43,00	7,00	A	smooth	0,05	72 NBR 902	BAU	7652	●
29,00	47,00	10,00	C	metal	0,05	72 NBR 902	B2	22923	●
29,00	50,00	10,00	C	metal	0,05	72 NBR 902	B2	22707	●
29,00	52,00	10,00	C	metal	0,05	72 NBR 902	B2	22924	●
30,00	40,00	7,00	A	grooved	0,05	75 FKM 585	BAUMX7	400273	●
30,00	40,00	7,00	C	metal	up to 1 MPa	PTFE F56101	B2PT	406617	●
30,00	40,00	7,00	AS	grooved	0,05	75 FKM 585	BAUMSLX7	479046	●
30,00	40,00	7,00	A	smooth	0,05	72 NBR 902	BAUX2	520216	●
30,00	40,00	7,00	AS	smooth	0,05	72 NBR 902	BAUSLX2	529402	●

● Available from stock ○ On request: Tool is available, delivery at short notice * → Diagram 2, page 18

d ₁	d ₂	b	DIN 3761	Outer surface	Pressure	Material	Type	Article No.	
30,00	40,00	7,00	B	metal	0,02	72 NBR 902	B1FUD	532630	●
30,00	40,00	8,00	AS	grooved	0,02	72 NBR 902	BAFUDSLX7	334820	●
30,00	42,00	5,70	A	smooth	0,05	72 NBR 902	BAUX2	478056	●
30,00	42,00	5,70	AS	smooth	0,05	72 NBR 902	BAUSLX2	478769	●
30,00	42,00	6,00	B	metal	0,05	72 NBR 902	B1	20417	●
30,00	42,00	6,00	AS	smooth	*	72 NBR 902	BABSL	3003	●
30,00	42,00	6,00	AS	smooth	*	75 FKM 595	BABSL	418629	●
30,00	42,00	7,00	AS	smooth	*	72 NBR 902	BABSL	12001682	●
30,00	42,00	7,00	B	metal	0,02	72 NBR 902	B1FUD	334268	●
30,00	42,00	7,00	BS	metal	0,02	72 NBR 902	B1FUDSL	335097	●
30,00	42,00	7,00	A	grooved	0,02	72 NBR 902	BAFUDX7	355384	●
30,00	42,00	7,00	A	grooved	0,05	75 FKM 585	BAUMX7	400271	●
30,00	42,00	7,00	AS	grooved	0,05	75 FKM 585	BAUMSLX7	479045	●
30,00	42,00	7,00	A	smooth	0,05	72 NBR 902	BAUX2	49001666	●
30,00	42,00	7,00	A	smooth	0,05	72 NBR 902	BAUX2	524506	●
30,00	42,00	7,00	AS	smooth	0,05	72 NBR 902	BAUSLX2	529400	●
30,00	42,00	8,00	AS	smooth	0,05	72 NBR 902	BAUSLX2	49004319	●
30,00	44,00	10,00	B	metal	0,05	72 NBR 902	B1U	19424	●
30,00	45,00	7,00	C	metal	up to 1 MPa	PTFE F56101	B2PT	406619	●
30,00	45,00	7,00	AS	grooved	0,05	75 FKM 585	BAUMSLX7	410115	●
30,00	45,00	7,00	A	smooth	0,05	72 NBR 902	BAU	7685	●
30,00	45,00	8,00	AS	smooth	0,02	72 NBR 902	BAFUDSL	12012582	●
30,00	45,00	8,00	A	smooth	0,05	72 NBR 902	BAU	7686	●
30,00	45,00	8,50	A	smooth	0,05	72 NBR 902	BADUO	3475	○
30,00	45,00	9,50	A	smooth	0,05	72 NBR 902	BAU	7695	●
30,00	45,00	10,00	A	smooth	0,05	72 NBR 902	BAU	7700	●
30,00	45,00	13,00	A	smooth	0,05	72 NBR 902	BAUSL	30497	●
30,00	47,00	4,50	A	metal	un-pressurised	80 NBR 177458	MSC 01	508525	●
30,00	47,00	4,50	A	metal	un-pressurised	80 FKM 177459	MSC 01	508574	●
30,00	47,00	6,00	A	smooth	0,05	72 NBR 902	BAUX2	528822	●
30,00	47,00	7,00	AS	smooth	0,02	72 NBR 902	BAFUDSL	12000480	○
30,00	47,00	7,00	A	smooth	0,05	72 NBR 902	BAU	328283	○
30,00	47,00	7,00	A	grooved	0,05	75 FKM 585	BAUMX7	386014	●
30,00	47,00	7,00	B	metal	0,05	72 NBR 902	B1U	39845	●
30,00	47,00	7,00	AS	grooved	0,05	75 FKM 585	BAUMSLX7	404326	●
30,00	47,00	7,00	C	metal	up to 1 MPa	PTFE F56101	B2PT	406620	●
30,00	47,00	7,00	A	smooth	0,05	75 FKM 595	BAUM	434416	○
30,00	47,00	7,00	B	metal	0,05	72 NBR 902	B1U	458251	○
30,00	47,00	7,00	A	smooth	0,05	72 NBR 902	BAUX2	478441	●
30,00	47,00	7,00	AS	smooth	0,05	72 NBR 902	BAUSLX2	49001669	●
30,00	47,00	7,00	A	smooth	0,05	72 NBR 902	BAUX2	531158	○
30,00	47,00	8,00	B	metal	0,05	72 NBR 902	B1USL	150732	●
30,00	47,00	8,00	C	metal	0,05	72 NBR 902	B2	23631	●
30,00	47,00	8,00	AS	grooved	0,02	72 NBR 902	BAFUDSLX7	532619	●
30,00	47,00	8,00	A	smooth	0,05	72 NBR 902	BAU	7708	●
30,00	47,00	8,00	B	metal	0,05	72 NBR 902	B1	7979	●
30,00	47,00	10,00	B	metal	0,05	72 NBR 902	B1U	19737	●
30,00	47,00	10,00	B	metal	0,05	72 NBR 902	B1USL	20127	●
30,00	47,00	10,00	C	metal	0,05	72 NBR 902	B2U	22708	●
30,00	47,00	10,00	A	grooved	0,02	72 NBR 902	BAFUDX7	355392	●

● Available from stock ○ On request: Tool is available, delivery at short notice * → Diagram 2, page 18

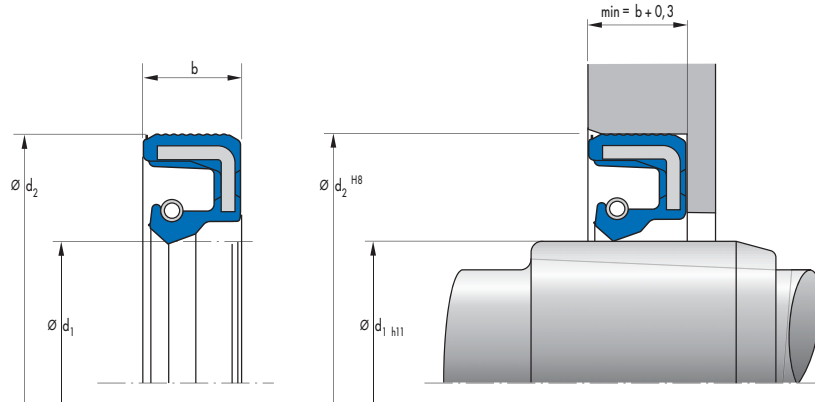


d ₁	d ₂	b	DIN 3761	Outer surface	Pressure	Material	Type	Article No.	
30,00	47,00	10,00	A	smooth	0,05	72 NBR 902	BAU	7716	○
30,00	48,00	6,50	A	metal	un-pressurised	80 FKM 177459	MSC 02	508608	●
30,00	48,00	6,50	A	metal	un-pressurised	80 NBR 177458	MSC 02	508632	●
30,00	48,00	7,00	A	grooved	0,05	75 FKM 585	BAUMX7	478615	●
30,00	48,00	8,00	A	grooved	0,02	72 NBR 902	BAFUDX7	335179	●
30,00	48,00	8,00	AS	grooved	0,05	75 FKM 585	BAUMSLX7	476383	●
30,00	48,00	10,00	B	metal	0,05	72 NBR 902	B1	19738	●
30,00	48,00	10,00	C	metal	0,05	72 NBR 902	B2	22926	●
30,00	48,00	10,00	A	smooth	0,05	72 NBR 902	BA	7729	●
30,00	50,00	7,00	B	metal	0,02	72 NBR 902	B1FUD	334266	●
30,00	50,00	7,00	A	grooved	0,05	75 FKM 585	BAUMX7	400726	●
30,00	50,00	7,00	C	metal	up to 1 MPa	PTFE F56101	B2PT	406621	●
30,00	50,00	7,00	AS	smooth	*	72 NBR 902	BABSL	49019367	●
30,00	50,00	7,00	A	smooth	0,02	72 NBR 902	BAFUD	532620	●
30,00	50,00	8,00	A	smooth	0,02	72 NBR 902	BAFUD	12010884	●
30,00	50,00	9,00	C	metal	0,02	72 NBR 902	B2FUD	334656	●
30,00	50,00	10,00	C	metal	0,02	72 NBR 902	B2FUD	334361	●
30,00	50,00	10,00	B	metal	0,02	72 NBR 902	B1FUD	334655	●
30,00	50,00	10,00	AS	grooved	0,02	72 NBR 902	BAFUDSLX7	335184	●
30,00	50,00	10,00	A	smooth	0,05	72 NBR 902	BA	7741	●
30,00	50,00	10,00	A	smooth	0,05	72 NBR 902	BAU	7742	●
30,00	50,00	12,00	B	metal	0,05	72 NBR 902	B1USL	20129	●
30,00	50,00	12,00	B	metal	0,02	72 NBR 902	B1FUD	334269	●
30,00	50,00	12,00	C	metal	0,02	72 NBR 902	B2FUD	334657	●
30,00	52,00	6,00	AS	smooth	0,05	72 NBR 902	BAUSLX2	522129	●
30,00	52,00	6,00	AS	smooth	0,05	75 FKM 585	BAUMSL	522920	●
30,00	52,00	6,00	-	smooth	0,05	75 FKM 585	MSS 1	49011594	●
30,00	52,00	6,00	-	smooth	0,05	72 NBR 902	MSS 1	528998	●
30,00	52,00	7,00	B	metal	0,02	72 NBR 902	B1FUD	334374	●
30,00	52,00	7,00	AS	smooth	*	72 NBR 902	BABSL	396855	●
30,00	52,00	7,00	A	grooved	0,05	75 FKM 585	BAUMX7	400453	●
30,00	52,00	7,00	AS	grooved	0,05	75 FKM 585	BAUMSLX7	410116	●
30,00	52,00	7,00	AS	smooth	0,05	72 NBR 902	BAUSLX2	524704	●
30,00	52,00	7,00	A	smooth	0,05	72 NBR 902	BAUX2	529401	●
30,00	52,00	8,00	A	smooth	0,05	72 NBR 902	BAU	31709	●
30,00	52,00	9,00	C	metal	0,02	72 NBR 902	B2FUD	334691	●

● Available from stock ○ On request: Tool is available, delivery at short notice * → Diagram 2, page 18

d ₁	d ₂	b	DIN 3761	Outer surface	Pressure	Material	Type	Article No.	
30,00	52,00	9,00	CS	metal	0,05	72 NBR 902	B2SL	34894	●
30,00	52,00	10,00	A	grooved	0,02	72 NBR 902	BAFUDX7	334293	●
30,00	52,00	10,00	B	metal	0,02	72 NBR 902	B1FUD	334686	●
30,00	52,00	10,00	C	metal	0,02	72 NBR 902	B2FUD	334690	●
30,00	52,00	10,00	BS	metal	0,02	72 NBR 902	B1FUDSL	355630	●
30,00	52,00	10,00	AS	smooth	0,05	72 NBR 902	BAUSLX2	526319	●
30,00	52,00	12,00	B	metal	0,05	72 NBR 902	B1USL	20130	●
30,00	52,00	12,00	C	metal	0,02	72 NBR 902	B2FUD	334334	●
30,00	52,00	12,00	B	metal	0,02	72 NBR 902	B1FUD	334685	●
30,00	52,00	12,00	A	smooth	0,05	72 NBR 902	BA	7758	●
30,00	55,00	7,00	AS	grooved	0,05	75 FKM 585	BAUMSLX7	477661	●
30,00	55,00	7,00	AS	smooth	0,05	72 NBR 902	BAUSLX2	478774	●
30,00	55,00	7,00	A	smooth	0,05	72 NBR 902	BAUX2	529837	●
30,00	55,00	10,00	A	grooved	0,02	72 NBR 902	BAFUDX7	334232	●
30,00	55,00	10,00	A	smooth	0,05	72 NBR 902	BAUX2	531106	●
30,00	55,00	10,00	A	smooth	0,05	72 NBR 902	BAUSL	7767	●
30,00	55,00	12,00	B	metal	0,05	72 NBR 902	B1	19745	●
30,00	56,00	10,00	C	metal	0,05	72 NBR 902	B2U	22932	●
30,00	56,00	10,00	A	smooth	0,05	72 NBR 902	BAU	7772	●
30,00	56,00	12,00	C	metal	0,05	72 NBR 902	B2	22933	●
30,00	60,00	10,00	A	smooth	0,05	72 NBR 902	BA	7775	●
30,00	62,00	6,00	B	metal	0,05	72 NBR 902	B1U	19429	●
30,00	62,00	7,00	BS	metal	0,02	72 NBR 902	B1FUDSL	355466	●
30,00	62,00	7,00	A	grooved	0,05	75 FKM 585	BAUMX7	400456	●
30,00	62,00	7,00	AS	grooved	0,05	72 NBR 902	BAUSLX7	478773	●
30,00	62,00	7,00	A	smooth	0,05	72 NBR 902	BAUX2	524703	●
30,00	62,00	7,00	AS	grooved	0,05	75 FKM 585	BAUMSLX7	531232	●
30,00	62,00	9,00	C	metal	0,02	72 NBR 902	B2FUD	334914	●
30,00	62,00	10,00	A	grooved	0,02	72 NBR 902	BAFUDX7	334294	●
30,00	62,00	10,00	C	metal	0,02	72 NBR 902	B2FUD	334915	●
30,00	62,00	12,00	C	metal	0,02	72 NBR 902	B2FUD	334916	●
30,00	62,00	12,00	B	metal	0,02	72 NBR 902	B1FUD	334948	●
30,00	62,00	12,00	A	smooth	0,05	72 NBR 902	BAU	7783	●
30,00	62,00	14,00	A	smooth	0,05	72 NBR 902	BADUO	7786	○
30,00	72,00	8,00	B	metal	0,05	72 NBR 902	B1U	340620	●
30,00	72,00	10,00	C	metal	0,02	72 NBR 902	B2FUD	334356	●
30,00	72,00	10,00	A	grooved	0,05	75 FKM 585	BAUMX7	432764	●
30,00	72,00	10,00	A	smooth	0,05	72 NBR 902	BAUX2	49009357	●
30,00	72,00	10,00	A	smooth	0,02	72 NBR 902	BAFUD	523408	●
30,00	72,00	10,00	AS	smooth	0,05	72 NBR 902	BAUSLX2	524141	●
30,00	72,00	10,00	A	smooth	0,05	72 NBR 902	BA	7788	○
31,00	42,00	8,00	A	grooved	0,02	72 NBR 902	BAFUDX7	520468	●
31,00	47,00	10,00	C	metal	0,05	72 NBR 902	B2	22711	○
31,00	52,00	7,00	A	smooth	0,02	72 NBR 902	BAFUD	523556	●
31,00	52,00	9,50	A	smooth	0,05	72 NBR 902	BAUX2	475754	○
31,75	44,45	6,35	AS	smooth	*	72 NBR 902	BABSL	81721	●
32,00	42,00	7,00	A	smooth	0,02	72 NBR 902	BAFUD	12010894	●
32,00	42,00	7,00	B	metal	0,05	72 NBR 902	B1	19436	●
32,00	42,00	7,00	A	grooved	0,05	75 FKM 585	BAUMX7	402911	●
32,00	42,00	7,00	AS	grooved	0,05	75 FKM 585	BAUMSLX7	450967	●

● Available from stock ○ On request: Tool is available, delivery at short notice * → Diagram 2, page 18

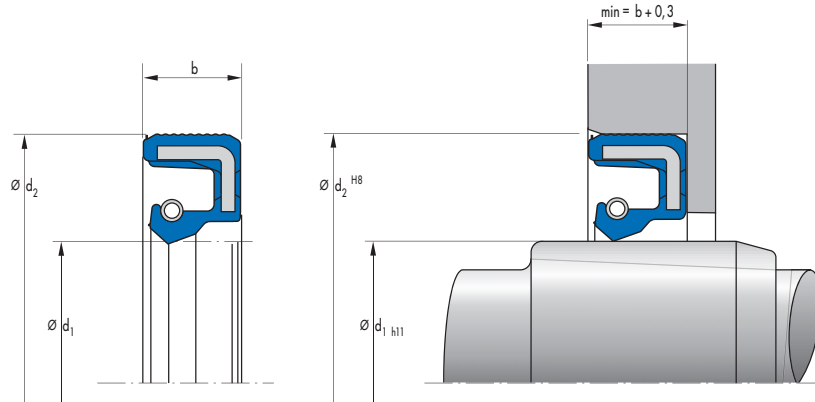


d ₁	d ₂	b	DIN 3761	Outer surface	Pressure	Material	Type	Article No.	
32,00	44,00	8,00	AS	smooth	*	72 NBR 902	BABSL	69442	●
32,00	45,00	6,00	A	smooth	0,05	72 NBR 902	BA	7798	●
32,00	45,00	7,00	A	grooved	0,02	72 NBR 902	BAFUDX7	334305	●
32,00	45,00	7,00	B	metal	0,02	72 NBR 902	B1FUD	346127	●
32,00	45,00	7,00	A	smooth	0,05	72 NBR 902	BAUX2	49032838	●
32,00	45,00	7,00	A	smooth	0,05	75 FKM 595	BAUM	520083	○
32,00	45,00	7,00	AS	smooth	0,02	72 NBR 902	BAFUDSL	523419	●
32,00	47,00	6,00	AS	smooth	*	75 FKM 595	BABSL	418674	●
32,00	47,00	6,00	AS	smooth	*	75 FKM 595	BABSL	49033017	●
32,00	47,00	6,00	AS	smooth	*	72 NBR 902	BABSL	910	●
32,00	47,00	7,00	A	grooved	0,05	75 FKM 585	BAUMX7	400458	●
32,00	47,00	7,00	AS	grooved	0,05	75 FKM 585	BAUMSLX7	407132	●
32,00	47,00	7,00	B	metal	0,02	72 NBR 902	B1FUD	423370	●
32,00	47,00	7,00	A	smooth	0,05	72 NBR 902	BAUX2	49017474	●
32,00	47,00	8,00	C	metal	up to 1 MPa	PTFE F56101	B2PT	406650	●
32,00	47,00	8,50	B	metal	0,05	72 NBR 902	B1U	19440	●
32,00	47,00	9,00	C	metal	0,05	72 NBR 902	B2U	2484	●
32,00	47,00	10,00	B	metal	0,05	72 NBR 902	B1	19750	●
32,00	47,00	10,00	C	metal	0,05	72 NBR 902	B2U	22714	●
32,00	47,00	10,00	BS	metal	0,02	72 NBR 902	B1FUDSL	355465	●
32,00	47,00	10,00	A	smooth	0,05	72 NBR 902	BAU	7811	●
32,00	48,00	8,00	A	smooth	0,05	72 NBR 902	BA	343302	○
32,00	48,00	8,00	A	smooth	0,05	72 NBR 902	BA	7815	●
32,00	49,00	4,50	A	metal	un-pressurised	80 NBR 177458	MSC 01	508527	●
32,00	49,00	4,50	A	metal	un-pressurised	80 FKM 177459	MSC 01	508575	●
32,00	50,00	7,00	B	metal	0,05	72 NBR 902	B1	19443	●
32,00	50,00	7,00	A	grooved	0,05	75 FKM 585	BAUMX7	410778	●
32,00	50,00	8,00	A	smooth	0,05	72 NBR 902	BAU	32679	●
32,00	50,00	10,00	C	metal	0,05	72 NBR 902	B2U	22715	●
32,00	50,00	10,00	AS	grooved	0,05	75 FKM 585	BAUMSLX7	523389	●
32,00	50,00	10,00	A	smooth	0,05	72 NBR 902	BA	7821	●
32,00	50,00	10,00	A	smooth	0,05	72 NBR 902	BAUSL	7822	●
32,00	50,00	12,00	C	metal	0,05	72 NBR 902	B2U	22942	●
32,00	52,00	5,00	A	smooth	0,02	72 NBR 902	BAFUD	12010897	●
32,00	52,00	6,00	AS	smooth	*	72 NBR 902	BABSL	345348	●
32,00	52,00	6,50	BS	metal	0,05	72 NBR 902	B1SL	20085	○

● Available from stock ○ On request: Tool is available, delivery at short notice * → Diagram 2, page 18

d ₁	d ₂	b	DIN 3761	Outer surface	Pressure	Material	Type	Article No.	
32,00	52,00	7,00	B	metal	0,02	72 NBR 902	B1FUD	355631	●
32,00	52,00	7,00	A	grooved	0,05	75 FKM 585	BAUMX7	400754	●
32,00	52,00	7,00	A	smooth	0,05	72 NBR 902	BAUSL	414644	●
32,00	52,00	7,00	AS	smooth	0,05	72 NBR 902	BAUSLX2	49035052	●
32,00	52,00	7,00	AS	grooved	0,05	75 FKM 585	BAUMSLX7	521226	●
32,00	52,00	7,00	A	smooth	0,05	72 NBR 902	BAUX2	524454	●
32,00	52,00	9,00	C	metal	0,02	72 NBR 902	B2FUD	334673	●
32,00	52,00	10,00	AS	smooth	0,02	72 NBR 902	BAFUDSL	12015221	●
32,00	52,00	10,00	B	metal	0,02	72 NBR 902	B1FUD	334270	●
32,00	52,00	10,00	C	metal	0,02	72 NBR 902	B2FUD	334335	●
32,00	52,00	10,00	A	smooth	0,05	72 NBR 902	BA	7833	●
32,00	52,00	12,00	BS	metal	0,05	72 NBR 902	B1SL	20132	●
32,00	52,00	12,00	C	metal	0,02	72 NBR 902	B2FUD	334345	●
32,00	55,00	10,00	A	smooth	0,05	72 NBR 902	BA	7838	●
32,00	55,00	12,00	C	metal	0,05	72 NBR 902	B2	22945	●
32,00	56,00	10,00	A	smooth	0,02	72 NBR 902	BAFUD	12000162	●
32,00	56,00	10,00	A	smooth	0,05	72 NBR 902	BAUSL	7842	●
32,00	56,00	12,00	C	metal	0,05	72 NBR 902	B2	22947	○
32,00	62,00	7,00	A	smooth	0,05	72 NBR 902	BA	371152	●
32,00	62,00	10,00	C	metal	0,05	72 NBR 902	B2	22949	●
32,00	62,00	10,00	AS	grooved	0,05	72 NBR 902	BAUSLX27	451928	●
32,00	62,00	10,00	AS	smooth	0,05	75 FKM 585	BAUMSL	49011963	●
32,00	62,00	10,00	A	smooth	0,05	72 NBR 902	BA	7850	●
32,00	65,00	12,00	C	metal	0,05	72 NBR 902	B2	22951	●
32,00	72,00	12,00	C	metal	0,05	72 NBR 902	B2	22952	●
32,00	80,00	12,00	AS	smooth	0,05	72 NBR 902	BAUSLX2	520528	●
33,00	45,00	7,00	AS	grooved	0,02	72 NBR 902	BAFUDSLX7	397855	○
33,00	45,00	7,00	A	smooth	0,05	72 NBR 902	BAU	7856	●
33,00	50,00	6,00	AS	smooth	0,02	72 NBR 902	BAFUDSL	12011140	●
33,00	50,00	8,00	A	smooth	0,05	72 NBR 902	BA	7862	●
33,00	50,00	10,00	AS	smooth	0,02	72 NBR 902	BAFUDSL	12011141	○
33,00	50,00	10,00	C	metal	0,05	72 NBR 902	B2U	22953	●
33,00	52,00	6,00	A	smooth	0,02	72 NBR 902	BAFUD	12010900	●
33,00	52,00	10,00	C	metal	0,05	72 NBR 902	B2U	22955	●
33,00	52,00	10,00	A	smooth	0,05	72 NBR 902	BA	7875	●
33,00	55,00	7,00	B	metal	0,05	72 NBR 902	B1U	149452	○
34,00	45,00	7,00	B	metal	0,05	72 NBR 902	B1	20275	●
34,00	46,00	8,00	A	smooth	0,05	72 NBR 902	BA	49002841	●
34,00	47,00	9,00	B	metal	0,05	72 NBR 902	B1	19445	●
34,00	49,30	9,50	B	metal	0,05	72 NBR 902	B1U	19756	●
34,00	50,00	10,00	C	metal	0,05	72 NBR 902	B2U	22717	●
34,00	50,00	10,00	A	smooth	0,05	72 NBR 902	BA	7920	●
34,00	52,00	7,00	B	metal	0,05	72 NBR 902	B1	19447	●
34,00	52,00	7,00	AS	smooth	0,05	72 NBR 902	BAUSLX2	520466	●
34,00	52,00	7,00	A	smooth	0,05	72 NBR 902	BAUX2	521284	●
34,00	52,00	8,00	B	metal	0,05	72 NBR 902	B1U	19448	●
34,00	52,00	8,00	A	smooth	0,05	72 NBR 902	BAU	7921	●
34,00	52,00	10,00	AS	smooth	0,02	72 NBR 902	BAFUDSL	12011142	●
34,00	52,00	10,00	C	metal	0,05	72 NBR 902	B2	22963	●
34,00	52,00	10,00	A	smooth	0,05	72 NBR 902	BAU	7926	●

● Available from stock ○ On request: Tool is available, delivery at short notice * → Diagram 2, page 18

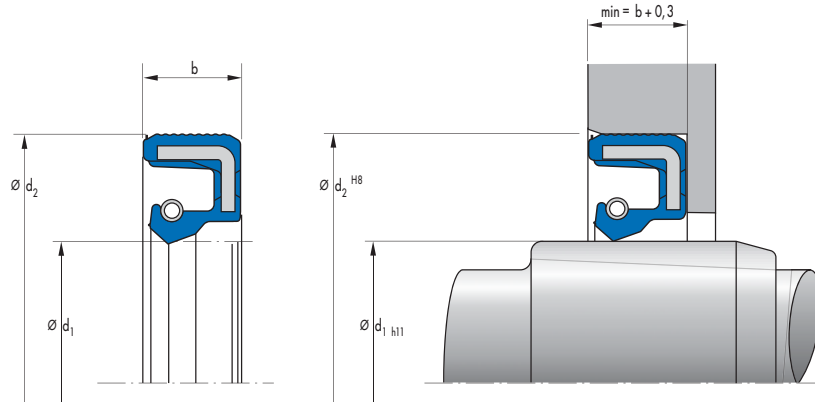


d ₁	d ₂	b	DIN 3761	Outer surface	Pressure	Material	Type	Article No.	
34,00	58,00	13,00	C	metal	0,05	72 NBR 902	B2	22965	●
34,00	62,00	10,00	C	metal	0,05	72 NBR 902	B2	22966	○
34,00	62,00	10,00	A	smooth	0,05	72 NBR 902	BA	7931	●
34,00	72,00	12,00	C	metal	0,05	72 NBR 902	B2	22968	●
35,00	45,00	7,00	A	smooth	0,05	72 NBR 902	BA	143444	●
35,00	45,00	7,00	B	metal	0,02	72 NBR 902	B1FUD	334380	●
35,00	45,00	7,00	BS	metal	0,02	72 NBR 902	B1FUDSL	346129	●
35,00	45,00	7,00	A	grooved	0,05	75 FKM 585	BAUMX7	402913	●
35,00	47,00	4,50	AS	smooth	0,05	72 NBR 902	BAUSLX2	478057	●
35,00	47,00	4,50	A	smooth	0,05	72 NBR 902	BAUX2	478767	●
35,00	47,00	4,50	A	smooth	0,05	75 FKM 585	BAUM	521388	●
35,00	47,00	6,00	AS	smooth	*	72 NBR 902	BABSL	12001688	●
35,00	47,00	6,00	B	metal	0,05	72 NBR 902	B1U	19459	●
35,00	47,00	6,00	AS	smooth	*	75 FKM 595	BABSL	418676	●
35,00	47,00	7,00	A	smooth	0,05	75 FKM 595	BAUM	121904	○
35,00	47,00	7,00	AS	smooth	0,05	75 FKM 585	BAUMSL	305066	○
35,00	47,00	7,00	BS	metal	0,02	72 NBR 902	B1FUDSL	334280	●
35,00	47,00	7,00	B	metal	0,02	72 NBR 902	B1FUD	355463	●
35,00	47,00	7,00	A	grooved	0,05	75 FKM 585	BAUMX7	388048	●
35,00	47,00	7,00	AS	grooved	0,05	75 FKM 585	BAUMSLX7	478651	●
35,00	47,00	7,00	A	smooth	0,05	72 NBR 902	BAUX2	478754	●
35,00	47,00	7,00	AS	smooth	0,05	72 NBR 902	BAUSLX2	478775	●
35,00	47,00	8,00	C	metal	up to 1 MPa	PTFE F56101	B2PT	406651	●
35,00	47,00	10,00	B	metal	0,05	72 NBR 902	B1U	19463	●
35,00	48,00	7,00	AS	grooved	0,05	75 FKM 585	BAUMSLX7	410779	●
35,00	49,30	9,50	B	metal	0,05	72 NBR 902	B1U	19464	●
35,00	49,30	9,50	A	smooth	0,05	72 NBR 902	BA	7970	●
35,00	50,00	7,00	AS	smooth	*	72 NBR 902	BABSL	12011521	●
35,00	50,00	7,00	B	metal	0,02	72 NBR 902	B1FUD	335008	●
35,00	50,00	7,00	A	grooved	0,02	72 NBR 902	BAFUDX7	355627	●
35,00	50,00	7,00	A	grooved	0,05	75 FKM 585	BAUMX7	400759	●
35,00	50,00	7,00	AS	grooved	0,05	75 FKM 585	BAUMSLX7	429489	●
35,00	50,00	8,00	C	metal	up to 1 MPa	PTFE F56101	B2PT	406652	●
35,00	50,00	8,00	AS	smooth	0,05	72 NBR 902	BAUSLX2	49023892	●
35,00	50,00	9,00	C	metal	0,02	72 NBR 902	B2FUD	335011	●
35,00	50,00	10,00	B	metal	0,02	72 NBR 902	B1FUD	335009	●

● Available from stock ○ On request: Tool is available, delivery at short notice * → Diagram 2, page 18

d ₁	d ₂	b	DIN 3761	Outer surface	Pressure	Material	Type	Article No.	
35,00	50,00	10,00	C	metal	0,02	72 NBR 902	B2FUD	335010	●
35,00	50,00	10,00	BS	metal	0,02	72 NBR 902	B1FUDSL	335099	●
35,00	50,00	10,00	A	smooth	0,05	72 NBR 902	BAU	7976	●
35,00	50,00	12,00	BS	metal	0,05	72 NBR 902	B1SL	20090	●
35,00	50,00	12,00	C	metal	0,02	72 NBR 902	B2FUD	335476	●
35,00	52,00	4,50	A	metal	un-pressurised	80 NBR 177458	MSC 01	508528	●
35,00	52,00	4,50	A	metal	un-pressurised	80 FKM 177459	MSC 01	508576	●
35,00	52,00	6,00	AS	smooth	*	72 NBR 902	BABSL	3004	●
35,00	52,00	6,00	AS	smooth	*	75 FKM 595	BABSL	418688	●
35,00	52,00	6,00	AS	smooth	*	72 NBR 902	BABSL	436315	○
35,00	52,00	7,00	B	metal	0,02	72 NBR 902	B1FUD	334271	●
35,00	52,00	7,00	A	grooved	0,05	75 FKM 585	BAUMX7	403081	●
35,00	52,00	7,00	A	smooth	0,05	72 NBR 902	BAUX2	478467	●
35,00	52,00	7,00	AS	grooved	0,05	75 FKM 585	BAUMSLX7	521006	●
35,00	52,00	7,00	AS	smooth	0,05	72 NBR 902	BAUSLX2	526079	●
35,00	52,00	7,00	AS	smooth	0,05	72 NBR 902	BAUSLX2	529399	○
35,00	52,00	8,00	C	metal	up to 1 MPa	PTFE F56101	B2PT	406653	●
35,00	52,00	9,00	C	metal	0,02	72 NBR 902	B2FUD	334917	●
35,00	52,00	9,00	CS	metal	0,05	72 NBR 902	B2USL	34895	●
35,00	52,00	10,00	A	smooth	0,05	72 NBR 902	BAU	307255	○
35,00	52,00	10,00	B	metal	0,02	72 NBR 902	B1FUD	334272	●
35,00	52,00	10,00	A	grooved	0,02	72 NBR 902	BAFUDX7	334307	●
35,00	52,00	10,00	C	metal	0,02	72 NBR 902	B2FUD	334918	●
35,00	52,00	10,00	AS	grooved	0,05	72 NBR 902	BAUSLX27	451929	●
35,00	52,00	10,00	AS	smooth	0,05	72 NBR 902	BAUSLX2	49036047	●
35,00	52,00	10,00	A	smooth	0,05	72 NBR 902	BA	523557	●
35,00	52,00	12,00	B	metal	0,05	72 NBR 902	B1USL	20135	●
35,00	52,00	12,00	B	metal	0,02	72 NBR 902	B1FUD	334273	●
35,00	52,00	12,00	C	metal	0,02	72 NBR 902	B2FUD	334919	●
35,00	53,00	6,50	A	metal	un-pressurised	80 FKM 177459	MSC 02	508609	●
35,00	53,00	6,50	A	metal	un-pressurised	80 NBR 177458	MSC 02	508633	●
35,00	55,00	7,00	AS	grooved	0,05	75 FKM 585	BAUMSLX7	410780	●
35,00	55,00	7,00	A	grooved	0,05	75 FKM 585	BAUMX7	526017	●
35,00	55,00	7,50	A	smooth	0,05	75 FKM 585	BAUM	49036525	○
35,00	55,00	8,00	A	grooved	0,02	72 NBR 902	BAFUDX7	355625	●
35,00	55,00	8,00	C	metal	up to 1 MPa	PTFE F56101	B2PT	406698	●
35,00	55,00	10,00	A	smooth	0,05	72 NBR 902	BAUSL	301731	○
35,00	55,00	10,00	A	smooth	0,05	72 NBR 902	BAU	8008	●
35,00	55,00	11,00	AS	smooth	0,02	72 NBR 902	BAFUDSL	12011146	●
35,00	55,00	12,00	B	metal	0,05	72 NBR 902	B1	19765	●
35,00	55,00	12,00	C	metal	0,05	72 NBR 902	B2	22974	●
35,00	55,50	9,00	B	metal	0,05	72 NBR 902	B1U	19467	●
35,00	56,00	8,00	A	smooth	0,02	72 NBR 902	BAFUD	523407	●
35,00	56,00	10,00	B	metal	0,05	72 NBR 902	B1U	19766	●
35,00	56,00	10,00	B	metal	0,05	72 NBR 902	B1USL	20136	●
35,00	56,00	10,00	C	metal	0,05	72 NBR 902	B2U	22975	●
35,00	56,00	10,00	A	smooth	0,05	72 NBR 902	BAU	8018	●
35,00	56,00	12,00	B	metal	0,05	72 NBR 902	B1U	19767	●
35,00	56,00	12,00	BS	metal	0,05	72 NBR 902	B1SL	20137	●
35,00	56,00	12,00	C	metal	0,05	72 NBR 902	B2U	22976	●

● Available from stock ○ On request: Tool is available, delivery at short notice * → Diagram 2, page 18

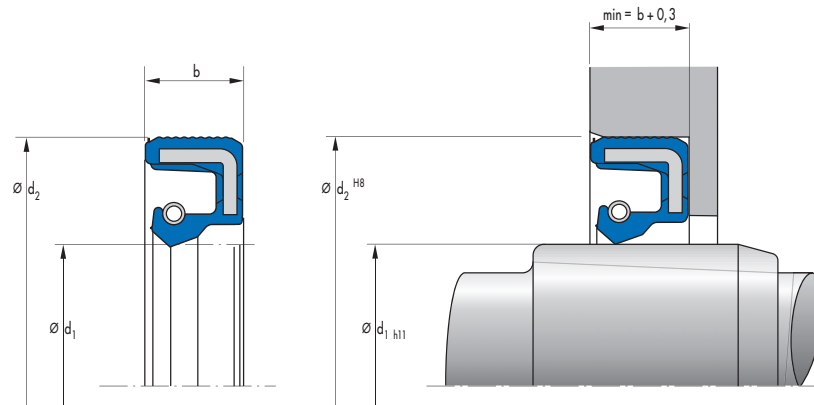


d ₁	d ₂	b	DIN 3761	Outer surface	Pressure	Material	Type	Article No.	
35,00	56,00	12,00	A	smooth	0,05	72 NBR 902	BA	8021	●
35,00	58,00	10,00	A	smooth	0,02	72 NBR 902	BAFUD	12010911	●
35,00	58,00	13,00	C	metal	0,05	72 NBR 902	B2	22977	●
35,00	58,00	13,00	A	smooth	0,05	72 NBR 902	BA	8032	●
35,00	60,00	10,00	A	smooth	0,02	72 NBR 902	BAFUD	12010912	●
35,00	60,00	10,00	B	metal	0,05	72 NBR 902	B1	19769	●
35,00	60,00	10,00	C	metal	0,05	72 NBR 902	B2	22978	●
35,00	60,00	12,00	C	metal	0,05	72 NBR 902	B2	22980	●
35,00	62,00	7,00	B	metal	0,02	72 NBR 902	B1FUD	335187	●
35,00	62,00	7,00	A	grooved	0,05	75 FKM 585	BAUMX7	400459	●
35,00	62,00	7,00	AS	grooved	0,05	75 FKM 585	BAUMSLX7	477670	●
35,00	62,00	7,00	AS	smooth	0,05	72 NBR 902	BAUSLX2	521678	●
35,00	62,00	7,00	A	smooth	0,05	72 NBR 902	BAUX2	524700	●
35,00	62,00	8,00	B	metal	0,02	72 NBR 902	B1FUD	335973	●
35,00	62,00	8,00	C	metal	up to 1 MPa	PTFE F56101	B2PT	406699	●
35,00	62,00	8,00	AS	smooth	0,05	72 NBR 902	BAUSLX2	477145	●
35,00	62,00	8,00	AS	smooth	0,05	75 FKM 585	BAUMSL	477146	●
35,00	62,00	8,00	-	smooth	0,05	72 NBR 902	MSS 1	525414	●
35,00	62,00	8,00	-	smooth	0,05	75 FKM 585	MSS 1	525445	●
35,00	62,00	8,00	-	smooth	0,05	72 NBR 902	MSS 7	477277	●
35,00	62,00	9,00	C	metal	0,02	72 NBR 902	B2FUD	335998	●
35,00	62,00	10,00	B	metal	0,02	72 NBR 902	B1FUD	335974	●
35,00	62,00	10,00	C	metal	0,02	72 NBR 902	B2FUD	335997	●
35,00	62,00	10,00	A	grooved	0,02	72 NBR 902	BAFUDX7	355435	●
35,00	62,00	10,00	AS	grooved	0,05	72 NBR 902	BAUSLX27	49001657	●
35,00	62,00	10,00	A	smooth	0,05	72 NBR 902	BA	8049	●
35,00	62,00	12,00	B	metal	0,05	72 NBR 902	B1U	19772	●
35,00	62,00	12,00	B	metal	0,05	72 NBR 902	B1USL	20138	●
35,00	62,00	12,00	C	metal	0,02	72 NBR 902	B2FUD	335996	●
35,00	62,00	12,00	A	smooth	0,05	72 NBR 902	BAUSL	8055	●
35,00	62,00	14,00	A	smooth	0,05	75 FKM 595	BADUO	338716	○
35,00	62,00	14,00	A	smooth	0,05	72 NBR 902	BADUO	8058	○
35,00	65,00	10,00	C	metal	0,05	72 NBR 902	B2U	22983	●
35,00	65,00	10,00	A	smooth	0,05	72 NBR 902	BAUSL	396063	●
35,00	65,00	10,00	A	smooth	0,05	72 NBR 902	BA	8060	●
35,00	68,00	10,00	AS	smooth	0,05	72 NBR 902	BAUSLX2	522766	●

● Available from stock ○ On request: Tool is available, delivery at short notice * → Diagram 2, page 18

d ₁	d ₂	b	DIN 3761	Outer surface	Pressure	Material	Type	Article No.	
35,00	70,00	12,00	C	metal	0,05	72 NBR 902	B2U	22985	●
35,00	72,00	7,00	A	grooved	0,05	75 FKM 585	BAUMX7	400466	●
35,00	72,00	7,00	A	grooved	0,02	72 NBR 902	BAFUDX7	407517	●
35,00	72,00	7,00	AS	smooth	0,05	75 FKM 585	BAUMSL	49012066	●
35,00	72,00	10,00	A	smooth	0,02	72 NBR 902	BAFUD	12010915	●
35,00	72,00	10,00	AS	smooth	0,02	72 NBR 902	BAFUDSL	12013421	●
35,00	72,00	10,00	A	smooth	0,05	72 NBR 902	BAUX2	49037523	●
35,00	72,00	10,00	AS	smooth	0,05	72 NBR 902	BAUSLX2	49037524	●
35,00	72,00	12,00	C	metal	0,02	72 NBR 902	B2FUD	334920	●
35,00	72,00	12,00	B	metal	0,02	72 NBR 902	B1FUD	334956	●
35,00	72,00	12,00	AS	smooth	0,05	72 NBR 902	BASL	35525	●
35,00	72,00	12,00	A	grooved	0,02	72 NBR 902	BAFUDX7	355478	●
35,00	80,00	10,00	AS	smooth	0,02	72 NBR 902	BAFUDSL	12000498	●
35,00	80,00	12,00	A	smooth	0,05	72 NBR 902	BAUX2	524507	●
35,00	80,00	13,00	C	metal	0,02	72 NBR 902	B2FUD	334921	●
35,00	80,00	13,00	A	smooth	0,05	75 FKM 585	BAUM	49012064	●
36,00	47,00	7,00	B	metal	0,05	72 NBR 902	B1	20250	●
36,00	47,00	7,00	A	smooth	0,05	72 NBR 902	BA	3441	●
36,00	47,00	7,00	A	grooved	0,05	75 FKM 585	BAUMX7	403084	●
36,00	50,00	7,00	B	metal	0,05	72 NBR 902	B1	31481	●
36,00	50,00	7,00	A	grooved	0,02	72 NBR 902	BAFUDX7	355476	●
36,00	50,00	7,00	AS	grooved	0,05	75 FKM 585	BAUMSLX7	410183	●
36,00	50,00	10,00	A	smooth	0,05	72 NBR 902	BA	8074	●
36,00	52,00	7,00	B	metal	0,05	72 NBR 902	B1U	19470	●
36,00	52,00	7,00	A	grooved	0,05	75 FKM 585	BAUMX7	410781	●
36,00	52,00	7,00	B	metal	0,05	72 NBR 902	B1U	424793	○
36,00	52,00	7,00	A	smooth	0,05	72 NBR 902	BAUX2	49009240	●
36,00	52,00	9,00	B	metal	0,05	72 NBR 902	B1	19471	●
36,00	52,00	9,00	C	metal	0,05	72 NBR 902	B2	2865	●
36,00	54,00	7,00	A	smooth	0,05	72 NBR 902	BAUX2	533282	●
36,00	56,00	10,00	C	metal	0,05	72 NBR 902	B2	22988	●
36,00	56,00	10,00	A	smooth	0,05	72 NBR 902	BAU	8083	●
36,00	56,00	12,00	C	metal	0,05	72 NBR 902	B2	22720	●
36,00	58,00	10,00	B	metal	0,05	72 NBR 902	B1	20316	●
36,00	62,00	7,00	AS	grooved	0,02	72 NBR 902	BAFUDSLX7	12014769	●
36,00	62,00	7,00	A	smooth	0,05	72 NBR 902	BA	18265	●
36,00	62,00	9,00	C	metal	0,05	72 NBR 902	B2	18224	●
36,00	62,00	10,00	C	metal	0,05	72 NBR 902	B2	22721	●
36,00	62,00	12,00	C	metal	0,05	72 NBR 902	B2	22991	●
36,00	68,00	10,00	AS	smooth	0,05	72 NBR 902	BAUSLX2	475374	●
36,00	72,00	12,00	C	metal	0,05	72 NBR 902	B2	22993	●
37,00	52,00	8,00	B	metal	0,05	75 FKM 595	B1USL	330557	○
37,00	52,00	8,00	A	smooth	0,05	72 NBR 902	BAU	8112	●
37,00	52,00	10,00	C	metal	0,05	72 NBR 902	B2U	20711	●
37,00	56,00	10,00	C	metal	0,05	72 NBR 902	B2	27478	●
37,00	58,00	13,00	C	metal	0,05	72 NBR 902	B2	23496	●
37,00	62,00	8,00	B	metal	0,05	72 NBR 902	B1U	425353	○
37,00	62,00	9,00	C	metal	0,05	72 NBR 902	B2U	22996	●
37,00	62,00	10,00	A	smooth	0,05	72 NBR 902	BA	8118	●
37,00	62,00	12,00	C	metal	0,05	72 NBR 902	B2	22997	○

● Available from stock ○ On request: Tool is available, delivery at short notice * → Diagram 2, page 18

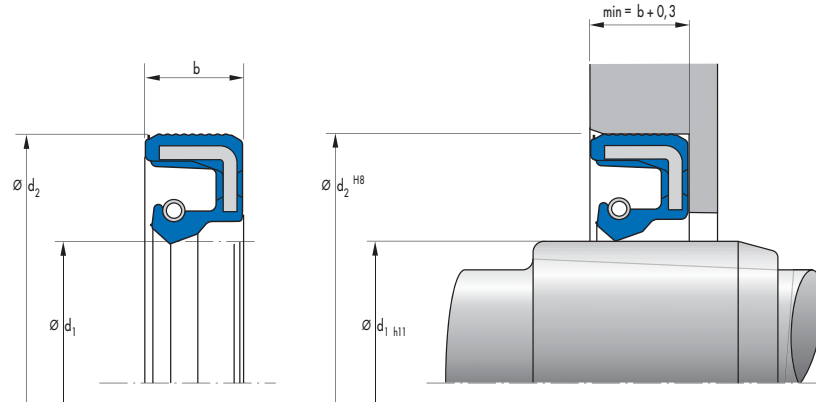


d ₁	d ₂	b	DIN 3761	Outer surface	Pressure	Material	Type	Article No.	
37,00	80,00	13,00	C	metal	0,05	72 NBR 902	B2U	22999	●
38,00	50,00	6,00	AS	smooth	*	72 NBR 902	BABSL	523552	●
38,00	50,00	7,00	B	metal	0,05	72 NBR 902	B1USL	20093	●
38,00	50,00	7,00	B	metal	0,05	72 NBR 902	B1U	20372	●
38,00	50,00	7,00	A	grooved	0,02	72 NBR 902	BAFUDX7	334309	●
38,00	50,00	7,00	A	grooved	0,05	75 FKM 585	BAUMX7	410782	●
38,00	52,00	7,00	B	metal	0,05	72 NBR 902	B1USL	13610	●
38,00	52,00	7,00	B	metal	0,02	72 NBR 902	B1FUD	334371	●
38,00	52,00	7,00	A	grooved	0,05	75 FKM 585	BAUMX7	402914	●
38,00	52,00	7,00	AS	grooved	0,05	75 FKM 585	BAUMSLX7	410184	●
38,00	52,00	7,00	AS	smooth	0,05	72 NBR 902	BAUSLX2	49002810	●
38,00	52,00	7,00	A	smooth	0,05	72 NBR 902	BAUX2	49008124	●
38,00	52,00	8,00	A	smooth	0,05	72 NBR 902	BAU	17193	●
38,00	52,00	10,00	B	metal	0,02	72 NBR 902	B1FUD	334689	●
38,00	52,00	10,00	A	smooth	0,05	72 NBR 902	BAU	8135	●
38,00	54,00	6,50	A	smooth	0,05	72 NBR 902	BA	8137	●
38,00	54,00	10,00	B	metal	0,05	72 NBR 902	B1	19782	●
38,00	54,00	10,00	A	smooth	0,05	72 NBR 902	BA	8141	●
38,00	55,00	4,50	A	metal	un-pressurised	80 NBR 177458	MSC 01	508529	●
38,00	55,00	4,50	A	metal	un-pressurised	80 FKM 177459	MSC 01	508577	●
38,00	55,00	7,00	B	metal	0,05	72 NBR 902	B1U	2507	●
38,00	55,00	7,00	A	grooved	0,05	75 FKM 585	BAUMX7	388816	●
38,00	55,00	7,00	A	smooth	0,05	72 NBR 902	BA	49002526	●
38,00	55,00	8,00	C	metal	up to 1 MPa	PTFE F56101	B2PT	406700	●
38,00	55,00	9,00	C	metal	0,05	72 NBR 902	B2U	2486	●
38,00	55,00	10,00	C	metal	0,05	72 NBR 902	B2U	23000	●
38,00	55,00	10,00	A	smooth	0,05	72 NBR 902	BA	356911	○
38,00	55,00	10,00	AS	grooved	0,05	75 FKM 585	BAUMSLX7	476382	●
38,00	55,00	10,00	A	smooth	0,05	72 NBR 902	BAU	8145	●
38,00	55,00	12,00	C	metal	0,05	72 NBR 902	B2U	23001	●
38,00	56,00	10,00	C	metal	0,05	72 NBR 902	B2U	23002	●
38,00	56,00	10,00	AS	grooved	0,05	75 FKM 585	BAUMSLX7	49042633	●
38,00	56,00	10,00	A	smooth	0,05	72 NBR 902	BA	8150	●
38,00	56,00	12,00	B	metal	0,05	72 NBR 902	B1	19785	●
38,00	56,00	12,00	C	metal	0,05	72 NBR 902	B2	23003	●
38,00	58,00	10,00	A	smooth	0,05	72 NBR 902	BA	8151	●

● Available from stock ○ On request: Tool is available, delivery at short notice * → Diagram 2, page 18

d ₁	d ₂	b	DIN 3761	Outer surface	Pressure	Material	Type	Article No.	
38,00	60,00	7,00	A	grooved	0,05	75 FKM 585	BAUMX7	410783	●
38,00	60,00	10,00	C	metal	0,05	72 NBR 902	B2	23004	○
38,00	60,00	10,00	A	smooth	0,05	72 NBR 902	BAU	8153	●
38,00	62,00	7,00	A	smooth	0,05	72 NBR 902	BAU	13052	●
38,00	62,00	7,00	B	metal	0,02	72 NBR 902	B1FUD	334957	●
38,00	62,00	7,00	A	grooved	0,05	75 FKM 585	BAUMX7	400528	●
38,00	62,00	7,00	AS	grooved	0,05	75 FKM 585	BAUMSLX7	407134	●
38,00	62,00	9,00	C	metal	0,02	72 NBR 902	B2FUD	334922	●
38,00	62,00	10,00	C	metal	0,02	72 NBR 902	B2FUD	334923	●
38,00	62,00	10,00	A	smooth	0,05	72 NBR 902	BAU	8156	●
38,00	62,00	12,00	B	metal	0,02	72 NBR 902	B1FUD	334274	●
38,00	62,00	12,00	C	metal	0,02	72 NBR 902	B2FUD	334924	●
38,00	62,00	12,00	A	smooth	0,05	72 NBR 902	BA	8162	●
38,00	65,00	10,00	C	metal	0,05	72 NBR 902	B2	23008	●
38,00	65,00	10,00	A	smooth	0,05	72 NBR 902	BAUSL	325682	●
38,00	65,00	10,00	A	smooth	0,05	72 NBR 902	BA	8165	●
38,00	72,00	10,00	A	smooth	0,02	72 NBR 902	BAFUD	523550	●
38,00	72,00	12,00	C	metal	0,05	72 NBR 902	B2U	23012	●
38,00	72,00	12,00	A	smooth	0,05	72 NBR 902	BAU	302909	●
38,00	74,00	10,00	A	smooth	0,05	72 NBR 902	BAUSL	8167	●
38,00	80,00	12,00	A	smooth	0,05	72 NBR 902	BA	8169	●
38,00	90,00	12,00	A	grooved	0,05	72 NBR 902	BAUX27	453161	●
38,10	57,15	7,93	AS	smooth	*	72 NBR 902	BABSL	64843	●
38,10	57,15	9,50	B	metal	0,05	72 NBR 902	B1U	19476	●
39,00	52,00	6,50	B	metal	0,05	72 NBR 902	B1	7990	●
39,00	52,00	6,50	A	smooth	0,05	72 NBR 902	BA	8188	●
39,00	55,50	9,00	B	metal	0,05	72 NBR 902	B1U	19480	●
39,00	62,00	12,00	C	metal	0,05	72 NBR 902	B2	23016	●
40,00	47,00	4,00	B	metal	un-pressurised	72 NBR 902	B1OF	344693	●
40,00	47,00	4,00	BS	metal	0,05	72 NBR 902	B1USLX2	49005636	○
40,00	50,00	7,00	A	smooth	0,05	72 NBR 902	BAUX2	475178	●
40,00	52,00	6,00	A	grooved	0,02	72 NBR 902	BAFUDX7	334824	●
40,00	52,00	7,00	A	smooth	0,05	72 NBR 902	BAU	13255	○
40,00	52,00	7,00	B	metal	0,05	72 NBR 902	B1USL	20306	●
40,00	52,00	7,00	A	smooth	0,05	75 FKM 595	BAUM	30678	○
40,00	52,00	7,00	A	smooth	0,05	75 FKM 595	BAUM	310039	○
40,00	52,00	7,00	AS	smooth	*	72 NBR 902	BABSL	328911	●
40,00	52,00	7,00	B	metal	0,02	72 NBR 902	B1FUD	334276	●
40,00	52,00	7,00	BS	metal	0,02	72 NBR 902	B1FUDSL	355635	●
40,00	52,00	7,00	A	grooved	0,02	72 NBR 902	BAFUDX7	355639	●
40,00	52,00	7,00	A	grooved	0,05	75 FKM 585	BAUMX7	388077	●
40,00	52,00	7,00	A	smooth	0,05	72 NBR 902	BAUX2	49032729	●
40,00	52,00	7,00	AS	grooved	0,05	75 FKM 585	BAUMSLX7	521007	●
40,00	52,00	7,00	AS	smooth	0,05	72 NBR 902	BAUSLX2	525281	●
40,00	52,00	7,00	A	smooth	0,05	72 NBR 902	BAUX2	530339	○
40,00	52,00	7,00	AS	smooth	0,05	72 NBR 902	BASL	8222	●
40,00	52,00	8,00	C	metal	up to 1 MPa	PTFE F56101	B2PT	406701	●
40,00	52,00	8,00	A	smooth	0,05	72 NBR 902	BA	8226	●
40,00	52,00	12,00	B	metal	0,05	72 NBR 902	B1	21706	●
40,00	55,00	6,00	AS	smooth	*	75 FKM 595	BABSL	329337	○

● Available from stock ○ On request: Tool is available, delivery at short notice * → Diagram 2, page 18

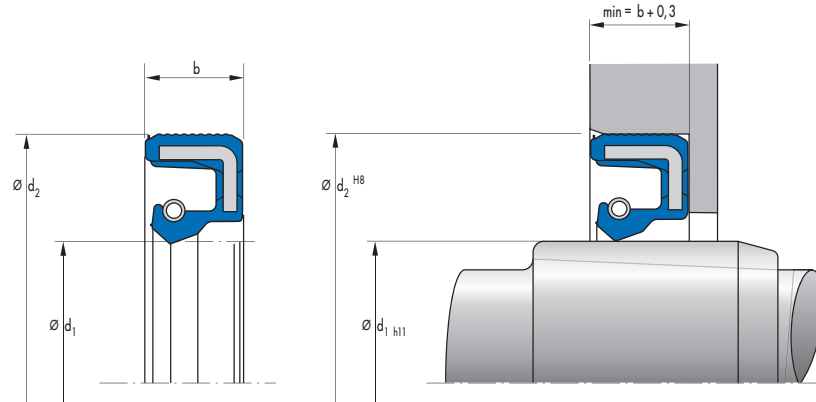


d ₁	d ₂	b	DIN 3761	Outer surface	Pressure	Material	Type	Article No.	
40,00	55,00	6,00	AS	smooth	*	72 NBR 902	BABSL	383444	●
40,00	55,00	6,00	AS	smooth	*	75 FKM 595	BABSL	479064	●
40,00	55,00	6,00	AS	smooth	*	72 NBR 902	BABSL	49034624	●
40,00	55,00	6,00	AS	smooth	*	75 FKM 595	BABSL	49035486	●
40,00	55,00	7,00	B	metal	0,02	72 NBR 902	B1FUD	334372	●
40,00	55,00	7,00	A	grooved	0,05	75 FKM 585	BAUMX7	388060	●
40,00	55,00	7,00	AS	grooved	0,05	75 FKM 585	BAUMSLX7	407135	●
40,00	55,00	7,00	A	smooth	0,05	72 NBR 902	BAUX2	478753	●
40,00	55,00	7,00	AS	smooth	0,05	72 NBR 902	BAUSLX2	524462	●
40,00	55,00	7,00	A	grooved	0,05	75 FKM 585	BAUMX7	528162	○
40,00	55,00	7,00	A	smooth	0,05	72 NBR 902	BAUX2	529478	○
40,00	55,00	8,00	B	metal	0,05	72 NBR 902	B1	19483	●
40,00	55,00	8,00	C	metal	up to 1 MPa	PTFE F56101	B2PT	406702	●
40,00	55,00	8,00	A	grooved	0,02	72 NBR 902	BAFUDX7	423373	●
40,00	55,00	8,00	AS	smooth	0,05	72 NBR 902	BAUSLX2	529404	●
40,00	55,00	9,00	B	metal	0,05	72 NBR 902	B1USL	126187	●
40,00	55,00	9,00	C	metal	0,02	72 NBR 902	B2FUD	334363	●
40,00	55,00	10,00	B	metal	0,02	72 NBR 902	B1FUD	334658	●
40,00	55,00	10,00	A	smooth	0,05	72 NBR 902	BAU	8234	●
40,00	55,00	10,00	AS	smooth	0,05	72 NBR 902	BASL	8235	●
40,00	55,00	12,00	C	metal	0,02	72 NBR 902	B2FUD	334687	●
40,00	55,00	12,00	A	smooth	0,05	72 NBR 902	BA	8239	●
40,00	55,50	9,00	B	metal	0,05	72 NBR 902	B1U	19484	●
40,00	56,00	6,00	AS	smooth	*	72 NBR 902	BABSL	12001693	●
40,00	56,00	8,00	A	smooth	0,02	72 NBR 902	BAFUD	12010933	●
40,00	56,00	8,00	AS	smooth	0,02	72 NBR 902	BAFUDSL	12011577	●
40,00	56,00	10,00	B	metal	0,05	72 NBR 902	B1U	19790	●
40,00	56,00	10,00	C	metal	0,05	72 NBR 902	B2U	22725	●
40,00	56,00	10,00	A	smooth	0,05	72 NBR 902	BAU	8249	●
40,00	56,00	12,00	C	metal	0,05	72 NBR 902	B2U	22726	●
40,00	57,00	4,50	A	metal	un-pressurised	80 NBR 177458	MSC 01	508530	●
40,00	57,00	4,50	A	metal	un-pressurised	80 FKM 177459	MSC 01	508578	●
40,00	58,00	6,50	A	metal	un-pressurised	80 FKM 177459	MSC 02	508610	●
40,00	58,00	6,50	A	metal	un-pressurised	80 NBR 177458	MSC 02	508634	●
40,00	58,00	8,00	AS	smooth	*	72 NBR 902	BABSL	411826	●
40,00	58,00	9,00	B	metal	0,05	72 NBR 902	B1U	19486	●

● Available from stock ○ On request: Tool is available, delivery at short notice * → Diagram 2, page 18

d ₁	d ₂	b	DIN 3761	Outer surface	Pressure	Material	Type	Article No.	
40,00	58,00	9,00	B	metal	0,05	72 NBR 902	B1USL	20095	●
40,00	58,00	9,00	AS	grooved	0,02	72 NBR 902	BAFUDSLX7	355477	●
40,00	58,00	9,00	AS	grooved	0,05	75 FKM 585	BAUMSLX7	418363	●
40,00	58,00	10,00	C	metal	0,05	72 NBR 902	B2U	39660	●
40,00	58,00	12,00	A	smooth	0,05	72 NBR 902	BAU	8254	●
40,00	60,00	8,00	C	metal	up to 1 MPa	PTFE F56101	B2PT	406713	●
40,00	60,00	10,00	C	metal	0,05	72 NBR 902	B2U	23019	●
40,00	60,00	10,00	CS	metal	0,05	72 NBR 902	B2SL	23632	●
40,00	60,00	10,00	B	metal	0,05	72 NBR 902	B1U	31466	●
40,00	60,00	10,00	A	grooved	0,02	72 NBR 902	BAFUDX7	334311	●
40,00	60,00	10,00	A	grooved	0,05	75 FKM 585	BAUMX7	402487	●
40,00	60,00	10,00	AS	smooth	0,05	72 NBR 902	BAUSLX2	49023925	●
40,00	60,00	12,00	A	smooth	0,05	75 FKM 595	BAUM	129960	○
40,00	60,00	12,00	B	metal	0,05	72 NBR 902	B1	19792	●
40,00	60,00	12,00	C	metal	0,05	72 NBR 902	B2U	23020	●
40,00	62,00	6,00	AS	smooth	*	72 NBR 902	BABSL	3018	●
40,00	62,00	6,00	AS	smooth	*	72 NBR 902	BABSL	49001831	○
40,00	62,00	6,00	AS	smooth	*	75 FKM 595	BABSL	528295	●
40,00	62,00	7,00	B	metal	0,02	72 NBR 902	B1FUD	334383	●
40,00	62,00	7,00	A	grooved	0,05	75 FKM 585	BAUMX7	388076	●
40,00	62,00	7,00	AS	grooved	0,05	75 FKM 585	BAUMSLX7	410185	●
40,00	62,00	7,00	A	smooth	0,05	72 NBR 902	BAUX2	478752	●
40,00	62,00	7,00	AS	smooth	0,05	72 NBR 902	BAUSLX2	478770	●
40,00	62,00	8,00	C	metal	up to 1 MPa	PTFE F56101	B2PT	406715	●
40,00	62,00	8,00	AS	smooth	0,05	72 NBR 902	BAUSLX2	477523	●
40,00	62,00	9,00	C	metal	0,02	72 NBR 902	B2FUD	334354	●
40,00	62,00	9,00	CS	metal	0,05	72 NBR 902	B2USL	34896	●
40,00	62,00	10,00	B	metal	0,05	72 NBR 902	B1USL	20142	●
40,00	62,00	10,00	B	metal	0,02	72 NBR 902	B1FUD	334385	●
40,00	62,00	10,00	C	metal	0,02	72 NBR 902	B2FUD	334684	●
40,00	62,00	10,00	AS	smooth	0,05	72 NBR 902	BAUSLX2	49023829	●
40,00	62,00	10,00	A	smooth	0,05	72 NBR 902	BAUX2	531174	●
40,00	62,00	10,00	A	smooth	0,05	72 NBR 902	BA	8279	●
40,00	62,00	12,00	BS	metal	0,05	72 NBR 902	B1SL	20143	●
40,00	62,00	12,00	B	metal	0,02	72 NBR 902	B1FUD	334669	●
40,00	62,00	12,00	C	metal	0,02	72 NBR 902	B2FUD	334670	●
40,00	62,00	12,00	A	smooth	0,05	72 NBR 902	BAU	8286	●
40,00	63,50	9,50	B	metal	0,05	72 NBR 902	B1U	19487	○
40,00	65,00	10,00	B	metal	0,05	72 NBR 902	B1U	19795	●
40,00	65,00	10,00	C	metal	0,05	72 NBR 902	B2	23023	●
40,00	65,00	10,00	A	grooved	0,02	72 NBR 902	BAFUDX7	355482	●
40,00	65,00	10,00	AS	smooth	0,05	72 NBR 902	BASL	39765	●
40,00	65,00	12,00	B	metal	0,05	72 NBR 902	B1U	19796	●
40,00	65,00	12,00	C	metal	0,05	72 NBR 902	B2U	23024	●
40,00	65,00	12,00	CS	metal	0,05	72 NBR 902	B2USL	23446	●
40,00	65,00	12,00	A	smooth	0,05	72 NBR 902	BA	8298	●
40,00	65,00	20,00	A	smooth	0,05	72 NBR 902	BADUO	8300	○
40,00	67,00	7,00	AS	smooth	*	75 FKM 595	BABSL	526418	○
40,00	68,00	6,00	AS	smooth	0,05	72 NBR 902	BAUSLX2	529094	●
40,00	68,00	6,00	AS	smooth	0,05	75 FKM 585	BAUMSL	529095	●

● Available from stock ○ On request: Tool is available, delivery at short notice * → Diagram 2, page 18

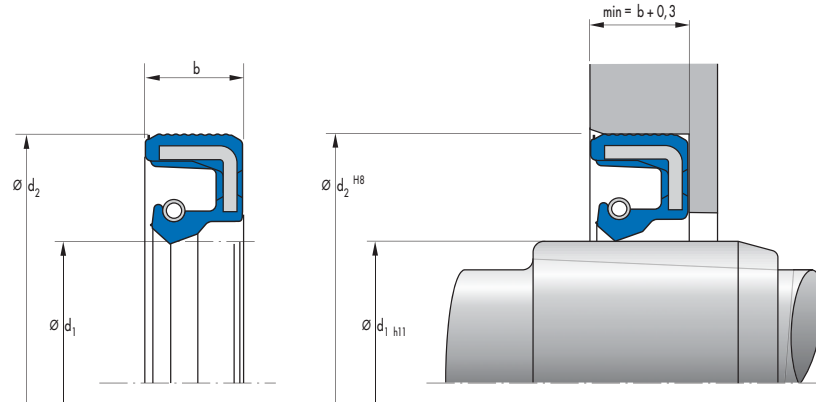


d ₁	d ₂	b	DIN 3761	Outer surface	Pressure	Material	Type	Article No.	
40,00	68,00	7,00	B	metal	0,05	72 NBR 902	B1U	21687	●
40,00	68,00	7,00	B	metal	0,05	72 NBR 902	B1U	49043563	●
40,00	68,00	8,00	AS	grooved	0,05	75 FKM 585	BAUMSLX7	477665	●
40,00	68,00	8,00	AS	smooth	0,05	72 NBR 902	BAUSLX2	49001661	●
40,00	68,00	8,00	A	smooth	0,05	72 NBR 902	BAUX2	49001672	●
40,00	68,00	8,00	A	grooved	0,05	75 FKM 585	BAUMX7	49012132	●
40,00	68,00	8,00	AS	smooth	0,05	72 NBR 902	BAUSLX2	49029022	●
40,00	68,00	10,00	A	smooth	0,05	72 NBR 902	BAUX2	524498	●
40,00	68,00	10,00	–	smooth	0,05	72 NBR 902	MSS 1	49028784	●
40,00	68,00	12,00	B	metal	0,05	72 NBR 902	B1	19797	●
40,00	68,00	12,00	C	metal	0,05	72 NBR 902	B2	23025	●
40,00	70,00	8,00	A	smooth	0,05	72 NBR 902	BA	8304	●
40,00	70,00	10,00	A	smooth	0,05	72 NBR 902	BA	8307	●
40,00	70,00	12,00	C	metal	0,05	72 NBR 902	B2	23026	●
40,00	72,00	7,00	B	metal	0,05	72 NBR 902	B1	2567	●
40,00	72,00	7,00	A	grooved	0,05	75 FKM 585	BAUMX7	400807	●
40,00	72,00	7,00	AS	smooth	0,05	72 NBR 902	BAUSLX2	478772	●
40,00	72,00	7,00	A	smooth	0,02	72 NBR 902	BAFUD	49001652	●
40,00	72,00	7,00	A	smooth	0,05	72 NBR 902	BAUX2	49037526	●
40,00	72,00	9,00	C	metal	0,05	72 NBR 902	B2	9548	●
40,00	72,00	10,00	C	metal	0,05	72 NBR 902	B2U	23027	●
40,00	72,00	10,00	AS	smooth	0,05	72 NBR 902	BAUSLX2	477144	●
40,00	72,00	10,00	AS	smooth	0,05	75 FKM 585	BAUMSL	477147	●
40,00	72,00	10,00	A	smooth	0,05	72 NBR 902	BA	8310	●
40,00	72,00	12,00	B	metal	0,05	72 NBR 902	B1	19801	●
40,00	72,00	12,00	C	metal	0,05	72 NBR 902	B2U	23028	●
40,00	72,00	12,00	A	smooth	0,05	72 NBR 902	BAU	8312	●
40,00	80,00	7,00	AS	smooth	0,05	72 NBR 902	BAUSLX2	49004252	●
40,00	80,00	7,00	AS	smooth	0,05	75 FKM 585	BAUMSL	49011968	●
40,00	80,00	10,00	A	grooved	0,02	72 NBR 902	BAFUDX7	355479	●
40,00	80,00	10,00	AS	smooth	0,05	75 FKM 585	BAUMSL	455618	●
40,00	80,00	10,00	AS	smooth	0,05	72 NBR 902	BAUSLX2	455619	●
40,00	80,00	10,00	A	smooth	0,05	72 NBR 902	BAUX2	49037525	●
40,00	80,00	10,00	–	smooth	0,05	72 NBR 902	MSS 1	525350	●
40,00	80,00	12,00	AS	smooth	0,02	72 NBR 902	BAFUDSL	12011162	●
40,00	80,00	13,00	C	metal	0,05	72 NBR 902	B2U	23030	●

● Available from stock ○ On request: Tool is available, delivery at short notice * → Diagram 2, page 18

d ₁	d ₂	b	DIN 3761	Outer surface	Pressure	Material	Type	Article No.	
40,00	80,00	13,00	A	smooth	0,05	72 NBR 902	BA	8318	○
40,00	85,00	10,00	A	grooved	0,05	75 FKM 585	BAUMX7	474893	●
40,00	85,00	10,00	A	smooth	0,05	72 NBR 902	BAUX2	523393	●
40,00	85,00	10,00	AS	smooth	0,05	72 NBR 902	BAUSLX2	523394	●
40,00	90,00	8,00	AS	smooth	0,02	72 NBR 902	BAFUDSL	12012533	●
40,00	90,00	10,00	A	grooved	0,02	72 NBR 902	BAFUDX7	407521	●
40,00	90,00	10,00	A	smooth	0,05	72 NBR 902	BAUX2	49037527	●
40,00	90,00	10,00	AS	smooth	0,05	75 FKM 585	BAUMSL	520956	●
40,00	90,00	10,00	AS	smooth	0,05	72 NBR 902	BAUSLX2	520957	●
40,00	90,00	12,00	AS	grooved	0,02	72 NBR 902	BAFUDSLX7	407522	●
41,00	56,00	10,00	A	smooth	0,05	72 NBR 902	BA	153820	●
41,00	57,00	4,50	A	metal	un-pressurised	80 NBR 177458	MSC 01	508531	●
41,00	57,00	4,50	A	metal	un-pressurised	80 FKM 177459	MSC 01	508579	●
41,00	62,00	10,00	C	metal	0,05	72 NBR 902	B2U	23031	●
42,00	55,00	7,00	B	metal	0,05	72 NBR 902	B1U	19491	●
42,00	55,00	7,00	A	smooth	0,05	72 NBR 902	BAUX2	49031451	●
42,00	55,00	7,00	A	smooth	0,05	72 NBR 902	BAU	8342	●
42,00	55,00	8,00	B	metal	0,05	72 NBR 902	B1U	13997	●
42,00	55,00	8,00	AS	grooved	0,05	75 FKM 585	BAUMSLX7	404322	●
42,00	55,00	8,00	C	metal	up to 1 MPa	PTFE F56101	B2PT	406716	●
42,00	55,00	8,00	AS	grooved	0,02	72 NBR 902	BAFUDSLX7	407523	●
42,00	55,00	8,00	A	smooth	0,05	72 NBR 902	BAUX2	530818	●
42,00	55,00	10,00	BS	metal	0,05	72 NBR 902	B1SL	29870	●
42,00	56,00	7,00	A	smooth	0,05	72 NBR 902	BAUSL	121799	●
42,00	56,00	7,00	A	grooved	0,02	72 NBR 902	BAFUDX7	334313	●
42,00	56,00	7,00	A	smooth	0,05	72 NBR 902	BAU	523558	●
42,00	56,00	7,00	B	metal	0,05	72 NBR 902	B1	7994	●
42,00	58,00	9,00	B	metal	0,05	72 NBR 902	B1	19494	●
42,00	59,00	4,50	A	metal	un-pressurised	80 NBR 177458	MSC 01	508532	●
42,00	59,00	4,50	A	metal	un-pressurised	80 FKM 177459	MSC 01	508580	●
42,00	60,00	10,00	B	metal	0,05	72 NBR 902	B1U	19804	●
42,00	60,00	10,00	C	metal	0,05	72 NBR 902	B2U	22728	●
42,00	60,00	10,00	A	smooth	0,05	72 NBR 902	BA	8356	●
42,00	60,00	12,00	C	metal	0,05	72 NBR 902	B2U	23034	●
42,00	62,00	7,00	B	metal	0,05	72 NBR 902	B1U	19495	●
42,00	62,00	7,00	AS	smooth	*	75 FKM 585	BABSL	348515	●
42,00	62,00	7,00	AS	smooth	*	72 NBR 902	BABSL	383616	●
42,00	62,00	7,00	BS	metal	0,05	72 NBR 902	B1SL	4004	●
42,00	62,00	8,00	AS	smooth	0,02	72 NBR 902	BAFUDSL	12011163	●
42,00	62,00	8,00	B	metal	0,05	72 NBR 902	B1U	14004	●
42,00	62,00	8,00	A	grooved	0,05	75 FKM 585	BAUMX7	388822	●
42,00	62,00	8,00	C	metal	up to 1 MPa	PTFE F56101	B2PT	415465	○
42,00	62,00	8,00	B	metal	0,05	72 NBR 902	B1U	427798	○
42,00	62,00	8,00	A	smooth	0,05	72 NBR 902	BAUX2	478766	●
42,00	62,00	8,00	AS	grooved	0,05	75 FKM 585	BAUMSLX7	524291	●
42,00	62,00	10,00	B	metal	0,05	72 NBR 902	B1U	19806	●
42,00	62,00	10,00	CS	metal	0,05	72 NBR 902	B2USL	20700	●
42,00	62,00	10,00	C	metal	0,05	72 NBR 902	B2U	22729	●
42,00	62,00	10,00	A	smooth	0,05	72 NBR 902	BAU	8363	●
42,00	62,00	12,00	B	metal	0,05	72 NBR 902	B1U	19807	●

● Available from stock ○ On request: Tool is available, delivery at short notice * → Diagram 2, page 18

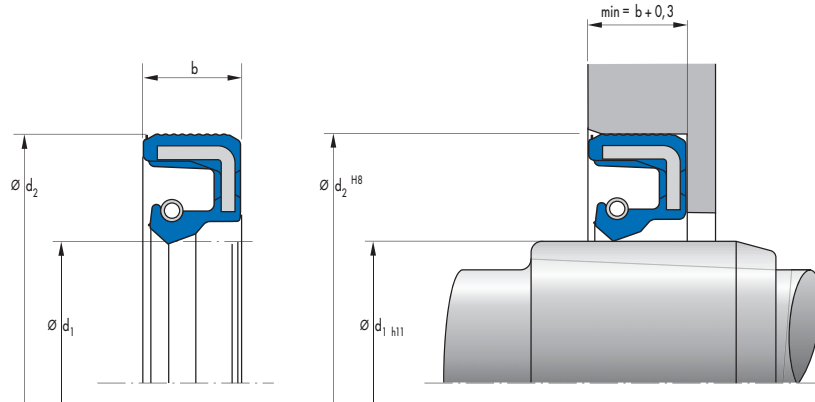


d_1	d_2	b	DIN 3761	Outer surface	Pressure	Material	Type	Article No.	
42,00	62,00	12,00	C	metal	0,05	72 NBR 902	B2U	23035	●
42,00	62,00	12,00	B	metal	0,05	72 NBR 902	B1USL	31467	●
42,00	62,00	12,00	A	smooth	0,05	72 NBR 902	BA	8367	●
42,00	65,00	10,00	B	metal	0,05	72 NBR 902	B1U	19810	●
42,00	65,00	10,00	C	metal	0,05	72 NBR 902	B2U	23036	●
42,00	65,00	10,00	A	grooved	0,05	75 FKM 585	BAUMX7	389459	●
42,00	65,00	10,00	AS	grooved	0,02	72 NBR 902	BAFUDSLX7	466342	●
42,00	65,00	10,00	A	smooth	0,05	72 NBR 902	BA	8373	●
42,00	65,00	12,00	B	metal	0,05	72 NBR 902	B1U	19811	●
42,00	65,00	12,00	C	metal	0,05	72 NBR 902	B2U	23037	●
42,00	66,00	13,00	C	metal	0,05	72 NBR 902	B2	23038	●
42,00	68,00	8,00	A	grooved	0,05	75 FKM 585	BAUMX7	407044	●
42,00	68,00	10,00	C	metal	0,05	72 NBR 902	B2U	49011583	●
42,00	70,00	12,00	C	metal	0,05	72 NBR 902	B2	23039	●
42,00	72,00	8,00	B	metal	0,02	72 NBR 902	B1FUD	334958	●
42,00	72,00	8,00	A	grooved	0,05	75 FKM 585	BAUMX7	411519	●
42,00	72,00	8,00	AS	smooth	0,05	72 NBR 902	BAUSLX2	475175	●
42,00	72,00	8,00	AS	grooved	0,05	75 FKM 585	BAUMSLX7	477669	●
42,00	72,00	8,00	A	smooth	0,05	72 NBR 902	BAUX2	49001667	●
42,00	72,00	10,00	C	metal	0,02	72 NBR 902	B2FUD	334925	●
42,00	72,00	10,00	AS	grooved	0,05	72 NBR 902	BAUSLX27	450733	●
42,00	72,00	10,00	A	smooth	0,05	72 NBR 902	BAU	8381	●
42,00	72,00	12,00	C	metal	0,02	72 NBR 902	B2FUD	334926	●
42,00	72,00	12,00	B	metal	0,02	72 NBR 902	B1FUD	334959	●
42,00	80,00	13,00	C	metal	0,05	72 NBR 902	B2	23041	●
42,86	59,13	12,70	B	metal	un-pressurised	72 NBR 902	B1FOF	399289	○
43,00	58,00	7,50	B	metal	0,05	72 NBR 902	B1U	21189	●
43,00	58,00	7,50	B	metal	0,05	72 NBR 902	B1U	426412	○
43,00	60,00	10,00	C	metal	0,05	72 NBR 902	B2	22732	●
43,00	60,00	10,00	A	smooth	0,05	72 NBR 902	BA	8393	●
43,00	62,00	10,00	C	metal	0,05	72 NBR 902	B2U	22733	●
43,00	63,50	9,50	B	metal	0,05	72 NBR 902	B1U	19500	●
43,00	72,00	10,00	C	metal	0,05	72 NBR 902	B2	22734	●
44,00	58,40	10,00	A	smooth	0,05	72 NBR 902	BAU	347394	●
44,00	60,00	10,00	C	metal	0,05	72 NBR 902	B2U	22735	●
44,00	60,00	10,00	A	smooth	0,05	72 NBR 902	BAU	8406	●

● Available from stock ○ On request: Tool is available, delivery at short notice * → Diagram 2, page 18

d ₁	d ₂	b	DIN 3761	Outer surface	Pressure	Material	Type	Article No.	
44,00	62,00	10,00	C	metal	0,05	72 NBR 902	B2U	23043	●
44,00	62,00	10,00	A	smooth	0,05	72 NBR 902	BA	8408	●
44,00	62,00	12,00	C	metal	0,05	72 NBR 902	B2U	23044	●
44,00	65,00	8,00	A	grooved	0,05	75 FKM 585	BAUMX7	411520	●
44,00	65,00	10,00	B	metal	0,05	72 NBR 902	B1	19815	●
44,00	65,00	10,00	C	metal	0,05	72 NBR 902	B2U	22736	●
44,00	65,00	10,00	A	smooth	0,05	72 NBR 902	BA	8414	●
44,00	70,00	12,00	C	metal	0,05	72 NBR 902	B2U	23046	●
44,00	72,00	10,00	A	smooth	0,05	72 NBR 902	BA	8420	●
44,00	72,00	12,00	C	metal	0,05	72 NBR 902	B2	23047	●
44,00	80,00	13,00	A	smooth	0,05	72 NBR 902	BAU	146270	●
44,45	63,50	7,94	B	metal	0,05	72 NBR 902	B1U	3520	●
45,00	52,00	4,00	B	metal	un-pressurised	72 NBR 902	B1OF	377784	●
45,00	55,00	7,00	B	metal	0,02	72 NBR 902	B1FUD	334386	●
45,00	55,00	7,00	A	grooved	0,05	72 NBR 902	BAUX27	453162	●
45,00	55,00	7,00	A	smooth	0,05	72 NBR 902	BAUX2	49022656	●
45,00	55,00	7,00	AS	grooved	0,05	72 NBR 902	BAUSLX27	533201	●
45,00	58,00	7,00	AS	smooth	0,02	72 NBR 902	BAFUDSL	12013433	●
45,00	58,00	7,00	AS	smooth	*	72 NBR 902	BABSL	366368	●
45,00	58,00	7,00	A	smooth	0,05	72 NBR 902	BA	8442	●
45,00	60,00	6,00	B	metal	0,05	72 NBR 902	B1USL	102203	○
45,00	60,00	7,00	A	smooth	0,05	75 FKM 595	BAUM	121905	○
45,00	60,00	7,00	A	grooved	0,02	72 NBR 902	BAFUDX7	334830	○
45,00	60,00	7,00	B	metal	0,02	72 NBR 902	B1FUD	335101	●
45,00	60,00	7,00	BS	metal	0,02	72 NBR 902	B1FUDSL	335102	●
45,00	60,00	7,00	AS	smooth	0,05	72 NBR 902	BAUSLX2	478771	●
45,00	60,00	7,00	A	grooved	0,02	72 NBR 902	BAFUDX7	532621	●
45,00	60,00	7,00	A	smooth	0,05	72 NBR 902	BA	8447	●
45,00	60,00	8,00	AS	smooth	0,02	72 NBR 902	BAFUDSL	12011165	●
45,00	60,00	8,00	CS	metal	0,05	72 NBR 902	B2USL	23427	●
45,00	60,00	8,00	B	metal	0,02	72 NBR 902	B1FUD	334384	●
45,00	60,00	8,00	A	grooved	0,05	75 FKM 585	BAUMX7	397330	●
45,00	60,00	8,00	C	metal	up to 1 MPa	PTFE F56101	B2PT	406717	●
45,00	60,00	8,00	AS	grooved	0,05	75 FKM 585	BAUMSLX7	407136	●
45,00	60,00	8,00	A	smooth	0,05	72 NBR 902	BAUX2	524652	●
45,00	60,00	10,00	B	metal	0,05	72 NBR 902	B1U	19821	○
45,00	60,00	10,00	B	metal	0,02	72 NBR 902	B1FUD	334679	●
45,00	60,00	10,00	C	metal	0,02	72 NBR 902	B2FUD	334682	●
45,00	60,00	10,00	A	smooth	0,05	72 NBR 902	BAU	8454	●
45,00	60,00	12,00	C	metal	0,02	72 NBR 902	B2FUD	334681	●
45,00	62,00	4,50	A	metal	un-pressurised	80 NBR 177458	MSC 01	508533	●
45,00	62,00	4,50	A	metal	un-pressurised	80 FKM 177459	MSC 01	508581	●
45,00	62,00	7,00	B	metal	0,05	72 NBR 902	B1	19504	●
45,00	62,00	7,00	A	grooved	0,02	72 NBR 902	BAFUDX7	334314	●
45,00	62,00	7,00	AS	smooth	*	72 NBR 902	BABSL	348882	●
45,00	62,00	7,00	AS	smooth	*	75 FKM 595	BABSL	418708	●
45,00	62,00	7,00	A	smooth	0,05	72 NBR 902	BAUX2	49028673	●
45,00	62,00	7,00	A	grooved	0,05	75 FKM 585	BAUMX7	522386	●
45,00	62,00	7,50	AS	smooth	0,05	72 NBR 902	BASL	8461	●
45,00	62,00	8,00	B	metal	0,05	72 NBR 902	B1U	2499	●

● Available from stock ○ On request: Tool is available, delivery at short notice * → Diagram 2, page 18

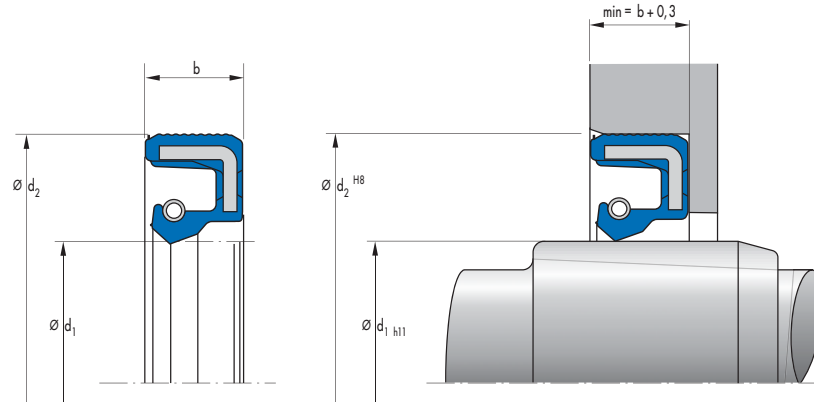


d ₁	d ₂	b	DIN 3761	Outer surface	Pressure	Material	Type	Article No.	
45,00	62,00	8,00	A	grooved	0,05	75 FKM 585	BAUMX7	388081	●
45,00	62,00	8,00	C	metal	up to 1 MPa	PTFE F56101	B2PT	406789	●
45,00	62,00	8,00	B	metal	0,05	72 NBR 902	B1USL	523595	●
45,00	62,00	8,00	A	smooth	0,05	72 NBR 902	BAUX2	526947	●
45,00	62,00	8,00	AS	smooth	0,05	72 NBR 902	BAUSLX2	529403	●
45,00	62,00	8,00	C	metal	up to 1 MPa	PTFE F56101	B2PT	529449	○
45,00	62,00	10,00	B	metal	0,05	72 NBR 902	B1U	19822	●
45,00	62,00	10,00	C	metal	0,05	72 NBR 902	B2U	23048	●
45,00	62,00	10,00	A	grooved	0,02	72 NBR 902	BAFUDX7	334295	●
45,00	62,00	10,00	CS	metal	0,05	72 NBR 902	B2USL	34897	●
45,00	62,00	10,00	A	smooth	0,05	72 NBR 902	BAUSL	8479	●
45,00	62,00	12,00	B	metal	0,05	72 NBR 902	B1U	19823	●
45,00	62,00	12,00	C	metal	0,05	72 NBR 902	B2U	23049	●
45,00	62,00	12,00	CS	metal	0,02	72 NBR 902	B2FUDSL	334351	●
45,00	62,00	12,00	A	smooth	0,05	72 NBR 902	BA	8483	●
45,00	62,00	14,00	A	smooth	0,05	72 NBR 902	BADUO	32896	○
45,00	63,00	6,50	A	metal	un-pressurised	80 FKM 177459	MSC 02	508611	●
45,00	63,00	6,50	A	metal	un-pressurised	80 NBR 177458	MSC 02	508635	●
45,00	65,00	7,00	AS	smooth	*	75 FKM 595	BABSL	125117	●
45,00	65,00	7,00	AS	smooth	*	75 FKM 595	BABSL	49035662	●
45,00	65,00	7,00	AS	smooth	*	72 NBR 902	BABSL	526240	●
45,00	65,00	8,00	AS	smooth	*	72 NBR 902	BABSL	12011524	●
45,00	65,00	8,00	B	metal	0,02	72 NBR 902	B1FUD	334645	●
45,00	65,00	8,00	A	grooved	0,05	75 FKM 585	BAUMX7	398036	●
45,00	65,00	8,00	C	metal	up to 1 MPa	PTFE F56101	B2PT	406792	●
45,00	65,00	8,00	A	smooth	0,05	72 NBR 902	BAUX2	49037529	●
45,00	65,00	8,00	A	smooth	0,02	72 NBR 902	BAFUD	532622	●
45,00	65,00	10,00	BS	metal	0,02	72 NBR 902	B1FUDSL	334275	●
45,00	65,00	10,00	AS	grooved	0,02	72 NBR 902	BAFUDSLX7	334298	●
45,00	65,00	10,00	C	metal	0,02	72 NBR 902	B2FUD	334357	●
45,00	65,00	10,00	B	metal	0,02	72 NBR 902	B1FUD	334644	●
45,00	65,00	10,00	A	grooved	0,02	72 NBR 902	BAFUDX7	355409	●
45,00	65,00	10,00	A	smooth	0,05	72 NBR 902	BAU	366521	○
45,00	65,00	10,00	AS	grooved	0,02	72 NBR 902	BAFUDSLX7	394402	○
45,00	65,00	10,00	AS	grooved	0,05	75 FKM 585	BAUMSLX7	405454	●
45,00	65,00	12,00	C	metal	0,02	72 NBR 902	B2FUD	334366	●

● Available from stock ○ On request: Tool is available, delivery at short notice * → Diagram 2, page 18

d ₁	d ₂	b	DIN 3761	Outer surface	Pressure	Material	Type	Article No.	
45,00	65,00	12,00	B	metal	0,02	72 NBR 902	B1FUD	334646	●
45,00	66,00	6,00	A	smooth	0,05	72 NBR 902	BA	31719	●
45,00	66,00	6,00	A	smooth	0,05	72 NBR 902	BA	49019342	●
45,00	68,00	10,00	C	metal	0,05	72 NBR 902	B2	25586	●
45,00	68,00	10,00	A	grooved	0,02	72 NBR 902	BAFUDX7	355488	●
45,00	68,00	10,00	A	grooved	0,05	75 FKM 585	BAUMX7	472400	●
45,00	68,00	12,00	C	metal	0,05	72 NBR 902	B2	23053	●
45,00	70,00	10,00	A	smooth	0,02	72 NBR 902	BAFUD	12010957	●
45,00	70,00	10,00	C	metal	0,05	72 NBR 902	B2U	23591	●
45,00	70,00	12,00	B	metal	0,05	72 NBR 902	B1U	19827	●
45,00	70,00	12,00	C	metal	0,05	72 NBR 902	B2	23054	●
45,00	72,00	7,00	B	metal	0,05	72 NBR 902	B1U	19505	●
45,00	72,00	8,00	A	grooved	0,02	72 NBR 902	BAFUDX7	334282	●
45,00	72,00	8,00	B	metal	0,02	72 NBR 902	B1FUD	334961	●
45,00	72,00	8,00	A	grooved	0,05	75 FKM 585	BAUMX7	388865	●
45,00	72,00	8,00	AS	grooved	0,05	75 FKM 585	BAUMSLX7	431911	●
45,00	72,00	8,00	AS	smooth	0,05	72 NBR 902	BAUSLX2	49006102	●
45,00	72,00	8,00	A	smooth	0,05	75 FKM 585	BAUM	49036527	○
45,00	72,00	8,00	A	smooth	0,05	72 NBR 902	BAUX2	531104	●
45,00	72,00	10,00	B	metal	0,02	72 NBR 902	B1FUD	334277	●
45,00	72,00	10,00	C	metal	0,02	72 NBR 902	B2FUD	334927	●
45,00	72,00	10,00	A	smooth	0,05	72 NBR 902	BAUX2	49018324	●
45,00	72,00	12,00	BS	metal	0,05	72 NBR 902	B1SL	20147	●
45,00	72,00	12,00	B	metal	0,02	72 NBR 902	B1FUD	334928	●
45,00	72,00	12,00	C	metal	0,02	72 NBR 902	B2FUD	334962	●
45,00	75,00	7,00	AS	grooved	0,05	72 NBR 902	BAUSLX27	49001658	●
45,00	75,00	7,00	A	grooved	0,05	72 NBR 902	BAUX27	49001659	●
45,00	75,00	7,00	AS	smooth	0,05	75 FKM 585	BAUMSL	49011967	●
45,00	75,00	7,00	A	smooth	0,05	75 FKM 585	BAUM	49012131	●
45,00	75,00	7,00	-	smooth	0,05	72 NBR 902	MSS 7	522352	●
45,00	75,00	8,00	A	smooth	0,05	72 NBR 902	BAU	368920	●
45,00	75,00	8,00	AS	grooved	0,05	75 FKM 585	BAUMSLX7	411214	●
45,00	75,00	8,00	AS	smooth	0,05	72 NBR 902	BAUSLX2	49005159	○
45,00	75,00	8,00	AS	smooth	0,05	75 FKM 585	BAUMSL	49008402	○
45,00	75,00	8,00	AS	smooth	0,05	72 NBR 902	BAUSLX2	524804	●
45,00	75,00	8,00	-	smooth	0,05	72 NBR 902	MSS 1	49005160	●
45,00	75,00	10,00	AS	smooth	0,02	72 NBR 902	BAFUDSL	12000514	●
45,00	75,00	10,00	A	grooved	0,02	72 NBR 902	BAFUDX7	334299	●
45,00	75,00	10,00	A	smooth	0,05	72 NBR 902	BAUSL	524452	○
45,00	75,00	10,00	A	smooth	0,05	72 NBR 902	BAUX2	526932	●
45,00	75,00	12,00	C	metal	0,05	72 NBR 902	B2	23056	●
45,00	80,00	8,00	A	smooth	0,05	72 NBR 902	BAU	8536	●
45,00	80,00	8,00	-	smooth	0,05	72 NBR 902	MSS 7	522353	●
45,00	80,00	10,00	C	metal	0,05	72 NBR 902	B2U	23058	●
45,00	80,00	10,00	A	grooved	0,02	72 NBR 902	BAFUDX7	334300	●
45,00	80,00	10,00	AS	grooved	0,05	75 FKM 585	BAUMSLX7	477668	●
45,00	80,00	10,00	A	smooth	0,05	72 NBR 902	BAUX2	49037528	●
45,00	80,00	10,00	AS	smooth	0,05	72 NBR 902	BAUSLX2	526075	●
45,00	80,00	13,00	B	metal	0,05	72 NBR 902	B1	19831	●
45,00	80,00	13,00	B	metal	0,05	72 NBR 902	B1USL	20148	●

● Available from stock ○ On request: Tool is available, delivery at short notice * → Diagram 2, page 18

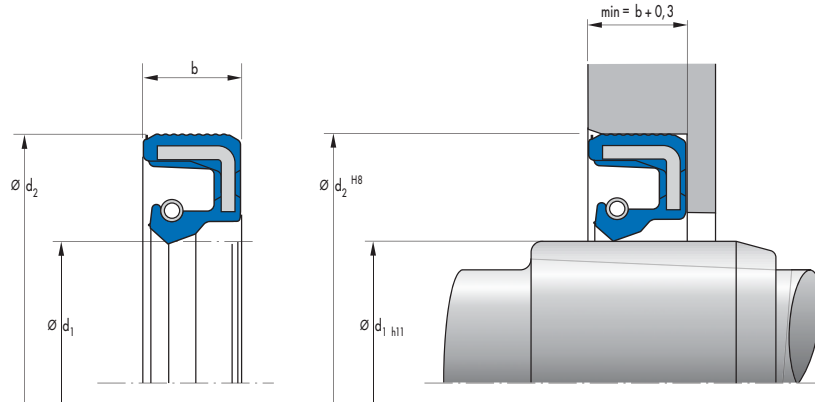


d ₁	d ₂	b	DIN 3761	Outer surface	Pressure	Material	Type	Article No.	
45,00	80,00	13,00	C	metal	0,05	72 NBR 902	B2U	23059	●
45,00	80,00	13,00	A	smooth	0,05	72 NBR 902	BA	8543	●
45,00	85,00	10,00	A	smooth	0,05	72 NBR 902	BAU	141529	●
45,00	85,00	10,00	B	metal	0,05	72 NBR 902	B1U	19832	●
45,00	85,00	10,00	AS	smooth	0,05	72 NBR 902	BAUSLX2	470429	●
45,00	85,00	10,00	AS	smooth	0,05	75 FKM 585	BAUMSL	470430	●
45,00	85,00	10,00	A	smooth	0,05	72 NBR 902	BAUSL	524451	○
45,00	85,00	10,00	-	smooth	0,05	72 NBR 902	MSS 1	525382	●
45,00	85,00	13,00	C	metal	0,05	72 NBR 902	B2	23060	●
45,00	100,00	10,00	A	smooth	0,05	72 NBR 902	BA	103209	●
46,00	60,00	7,00	B	metal	0,05	72 NBR 902	B1U	19506	●
46,00	62,00	12,00	C	metal	0,05	72 NBR 902	B2U	22744	●
46,00	64,00	8,00	A	smooth	0,05	72 NBR 902	BA	8560	●
46,00	65,00	10,00	C	metal	0,05	72 NBR 902	B2U	23062	●
46,00	65,00	10,00	AS	smooth	0,02	72 NBR 902	BAFUDSL	523567	●
46,00	65,00	10,00	A	smooth	0,05	72 NBR 902	BAU	8562	●
46,00	68,00	12,00	C	metal	0,05	72 NBR 902	B2	32022	●
46,00	80,00	10,00	C	metal	0,05	72 NBR 902	B2	22746	●
46,94	62,00	8,00	A	smooth	0,05	72 NBR 902	BA	8578	●
47,00	62,00	6,00	A	smooth	0,05	72 NBR 902	BA	8582	●
47,00	62,00	7,00	AS	smooth	*	72 NBR 902	BABSL	379252	●
47,00	65,00	10,00	AS	smooth	0,05	75 FKM 585	BAUMSL	478469	●
47,00	65,00	10,00	AS	smooth	0,05	72 NBR 902	BAUSLX2	478470	●
47,00	65,00	10,00	-	smooth	0,05	72 NBR 902	MSS 1	525416	●
47,00	65,00	12,00	C	metal	0,05	72 NBR 902	B2U	23067	●
47,00	70,00	12,00	C	metal	0,05	72 NBR 902	B2	23068	●
47,00	72,00	10,00	C	metal	0,05	72 NBR 902	B2	23069	●
47,00	72,00	12,00	B	metal	0,05	72 NBR 902	B1	19836	●
47,00	72,00	12,00	C	metal	0,05	72 NBR 902	B2	23070	●
47,00	90,00	10,00	AS	smooth	0,05	72 NBR 902	BAUSLX2	478472	●
47,00	90,00	10,00	AS	smooth	0,05	75 FKM 585	BAUMSL	478473	●
47,00	90,00	10,00	-	smooth	0,05	72 NBR 902	MSS 1	525417	●
48,00	62,00	8,00	A	grooved	0,02	72 NBR 902	BAFUDX7	334832	●
48,00	62,00	8,00	B	metal	0,02	72 NBR 902	B1FUD	335103	●
48,00	62,00	8,00	C	metal	up to 1 MPa	PTFE F56101	B2PT	374565	○
48,00	62,00	8,00	A	grooved	0,05	75 FKM 585	BAUMX7	400946	●

● Available from stock ○ On request: Tool is available, delivery at short notice * → Diagram 2, page 18

d ₁	d ₂	b	DIN 3761	Outer surface	Pressure	Material	Type	Article No.	
48,00	62,00	8,00	AS	smooth	0,05	72 NBR 902	BAUSLX2	49001665	●
48,00	62,00	8,00	AS	grooved	0,05	75 FKM 585	BAUMSLX7	530500	●
48,00	62,00	10,00	B	metal	0,05	72 NBR 902	B1U	19511	●
48,00	65,00	4,50	A	metal	un-pressurised	80 NBR 177458	MSC 01	508534	●
48,00	65,00	4,50	A	metal	un-pressurised	80 FKM 177459	MSC 01	508583	●
48,00	65,00	8,00	AS	grooved	0,05	75 FKM 585	BAUMSLX7	410186	●
48,00	65,00	8,00	A	smooth	0,05	72 NBR 902	BA	8597	●
48,00	65,00	10,00	B	metal	0,05	72 NBR 902	B1	12011331	○
48,00	65,00	10,00	B	metal	0,05	72 NBR 902	B1U	19837	●
48,00	65,00	10,00	C	metal	0,05	72 NBR 902	B2U	23074	●
48,00	65,00	10,00	CS	metal	0,05	72 NBR 902	B2SL	23429	●
48,00	65,00	10,00	AS	smooth	0,05	72 NBR 902	BAUSLX2	49040137	●
48,00	65,00	10,00	A	smooth	0,05	72 NBR 902	BAU	8604	●
48,00	65,00	10,00	A	smooth	0,05	72 NBR 902	BAUSL	8606	●
48,00	65,00	12,00	C	metal	0,05	72 NBR 902	B2U	22747	●
48,00	68,00	8,00	AS	grooved	0,05	75 FKM 585	BAUMSLX7	411231	●
48,00	68,00	10,00	C	metal	0,05	72 NBR 902	B2U	22748	●
48,00	68,00	10,00	AS	smooth	0,05	72 NBR 902	BAUSLX2	529405	●
48,00	68,00	10,00	A	smooth	0,05	72 NBR 902	BA	8617	●
48,00	68,00	12,00	C	metal	0,05	72 NBR 902	B2U	23075	●
48,00	69,00	12,00	B	metal	0,05	72 NBR 902	B1U	19840	●
48,00	70,00	10,00	C	metal	0,05	72 NBR 902	B2	23076	●
48,00	70,00	10,00	A	smooth	0,05	72 NBR 902	BAU	8624	●
48,00	70,00	12,00	C	metal	0,05	72 NBR 902	B2	23077	●
48,00	70,00	14,00	CS	metal	0,05	72 NBR 902	B2SL	61833	○
48,00	72,00	7,00	A	grooved	0,02	72 NBR 902	BAFUDX7	334833	●
48,00	72,00	7,00	BS	metal	0,02	72 NBR 902	B1FUDSL	348354	●
48,00	72,00	8,00	B	metal	0,05	72 NBR 902	B1	14027	●
48,00	72,00	8,00	A	grooved	0,02	72 NBR 902	BAFUDX7	334301	●
48,00	72,00	8,00	A	grooved	0,05	75 FKM 585	BAUMX7	388860	●
48,00	72,00	8,00	B	metal	0,02	72 NBR 902	B1FUD	427015	○
48,00	72,00	8,00	AS	grooved	0,05	75 FKM 585	BAUMSLX7	460943	●
48,00	72,00	8,00	AS	smooth	0,05	72 NBR 902	BAUSLX2	524140	●
48,00	72,00	10,00	C	metal	0,05	72 NBR 902	B2U	23078	●
48,00	72,00	10,00	A	smooth	0,05	72 NBR 902	BAU	8633	●
48,00	72,00	12,00	B	metal	0,05	72 NBR 902	B1	20265	●
48,00	72,00	12,00	C	metal	0,05	72 NBR 902	B2	23079	●
48,00	72,00	12,00	A	smooth	0,05	72 NBR 902	BA	8640	●
48,00	72,00	12,00	A	smooth	0,05	72 NBR 902	BAUSL	8641	●
48,00	80,00	8,00	B	metal	0,05	72 NBR 902	B1U	424798	○
48,00	80,00	10,00	C	metal	0,05	72 NBR 902	B2U	22749	●
48,00	80,00	10,00	A	grooved	0,02	72 NBR 902	BAFUDX7	334302	●
48,00	80,00	13,00	C	metal	0,05	72 NBR 902	B2	23080	●
48,00	90,00	13,00	C	metal	0,05	72 NBR 902	B2	23082	●
49,00	65,00	10,00	A	smooth	0,05	72 NBR 902	BA	8648	●
49,00	68,00	10,00	C	metal	0,05	72 NBR 902	B2U	22751	●
50,00	60,00	4,50	A	smooth	0,05	72 NBR 902	BAUSL	49033416	○
50,00	60,00	4,50	AS	grooved	0,05	75 FKM 585	BAUMSLX27	521194	●
50,00	62,00	6,00	B	metal	0,05	72 NBR 902	B1USL	38786	○
50,00	62,00	7,00	AS	smooth	0,02	72 NBR 902	BAFUDSL	12011173	●

● Available from stock ○ On request: Tool is available, delivery at short notice * → Diagram 2, page 18

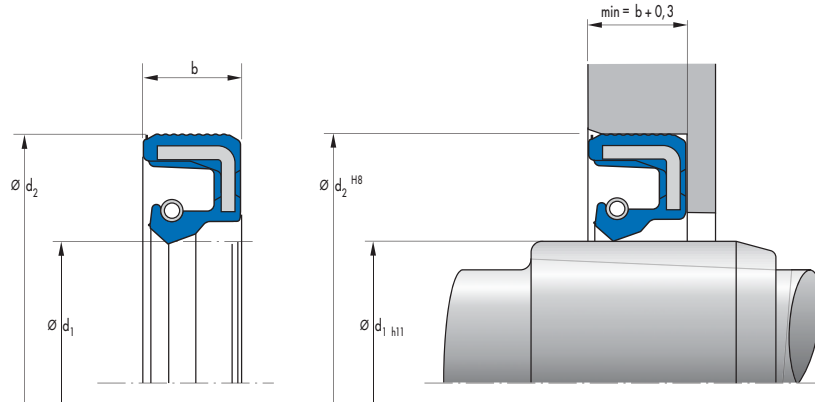


d ₁	d ₂	b	DIN 3761	Outer surface	Pressure	Material	Type	Article No.	
50,00	62,00	7,00	B	metal	0,02	72 NBR 902	B1FUD	532631	●
50,00	62,00	8,00	C	metal	up to 1 MPa	PTFE F56101	B2PT	406798	●
50,00	62,00	10,00	B	metal	0,02	72 NBR 902	B1FUD	335124	●
50,00	65,00	7,00	AS	smooth	*	75 FKM 595	BABSL	340127	●
50,00	65,00	7,00	AS	smooth	*	72 NBR 902	BABSL	49009273	●
50,00	65,00	8,00	AS	smooth	*	72 NBR 902	BABSL	12001704	●
50,00	65,00	8,00	B	metal	0,02	72 NBR 902	B1FUD	334393	●
50,00	65,00	8,00	A	grooved	0,02	72 NBR 902	BAFUDX7	334500	●
50,00	65,00	8,00	A	grooved	0,05	75 FKM 585	BAUMX7	389801	●
50,00	65,00	8,00	AS	grooved	0,05	75 FKM 585	BAUSLX7	410188	●
50,00	65,00	8,00	AS	smooth	0,05	72 NBR 902	BAUSLX2	49008230	○
50,00	65,00	8,00	AS	smooth	0,02	72 NBR 902	BAFUDSL	532623	●
50,00	65,00	8,00	BS	metal	0,02	72 NBR 902	B1FUDSL	532632	●
50,00	65,00	8,00	A	smooth	0,05	72 NBR 902	BAU	8655	○
50,00	65,00	8,00	A	smooth	0,05	72 NBR 902	BAUSL	8659	○
50,00	65,00	10,00	B	metal	0,05	72 NBR 902	B1U	19520	●
50,00	65,00	10,00	C	metal	0,05	72 NBR 902	B2U	22752	●
50,00	65,00	10,00	AS	smooth	0,05	75 FKM 585	BAUMSL	455620	●
50,00	65,00	10,00	AS	smooth	0,05	72 NBR 902	BAUSLX2	455621	●
50,00	65,00	10,00	A	smooth	0,05	72 NBR 902	BAU	8662	●
50,00	65,00	10,00	-	smooth	0,05	72 NBR 902	MSS 1	525357	●
50,00	66,00	10,00	B	metal	0,05	72 NBR 902	B1	19521	●
50,00	68,00	7,00	AS	smooth	*	72 NBR 902	BABSL	327026	●
50,00	68,00	7,00	AS	smooth	*	75 FKM 595	BABSL	360204	●
50,00	68,00	8,00	AS	smooth	*	72 NBR 902	BABSL	12011526	●
50,00	68,00	8,00	B	metal	0,05	72 NBR 902	B1U	2600	●
50,00	68,00	8,00	A	grooved	0,05	75 FKM 585	BAUMX7	386015	●
50,00	68,00	8,00	C	metal	up to 1 MPa	PTFE F56101	B2PT	406801	●
50,00	68,00	8,00	AS	grooved	0,05	75 FKM 585	BAUSLX7	433708	●
50,00	68,00	8,00	BS	metal	0,02	72 NBR 902	B1FUDSL	438769	○
50,00	68,00	8,00	AS	smooth	0,05	72 NBR 902	BAUSLX2	475179	●
50,00	68,00	8,00	A	smooth	0,02	72 NBR 902	BAFUD	532624	●
50,00	68,00	10,00	AS	smooth	0,02	72 NBR 902	BAFUDSL	12011176	●
50,00	68,00	10,00	B	metal	0,05	72 NBR 902	B1U	19843	●
50,00	68,00	10,00	C	metal	0,05	72 NBR 902	B2U	23085	●
50,00	68,00	10,00	A	smooth	0,05	72 NBR 902	BAU	8668	●

● Available from stock ○ On request: Tool is available, delivery at short notice * → Diagram 2, page 18

d ₁	d ₂	b	DIN 3761	Outer surface	Pressure	Material	Type	Article No.	
50,00	68,00	12,00	C	metal	0,05	72 NBR 902	B2U	23086	●
50,00	68,00	12,00	A	smooth	0,05	72 NBR 902	BA	8670	●
50,00	68,00	14,00	B	metal	0,05	72 NBR 902	B1	19844	●
50,00	70,00	5,50	A	metal	un-pressurised	80 NBR 177458	MSC 01	508535	●
50,00	70,00	5,50	A	metal	un-pressurised	80 FKM 177459	MSC 01	508584	●
50,00	70,00	8,00	C	metal	up to 1 MPa	PTFE F56101	B2PT	406802	●
50,00	70,00	8,00	A	grooved	0,05	75 FKM 585	BAUMX7	411521	●
50,00	70,00	9,00	AS	grooved	0,02	72 NBR 902	BAFUDSLX7	365415	●
50,00	70,00	10,00	AS	smooth	0,02	72 NBR 902	BAFUDSL	12000520	●
50,00	70,00	10,00	C	metal	0,02	72 NBR 902	B2FUD	334346	●
50,00	70,00	10,00	B	metal	0,02	72 NBR 902	B1FUD	334394	●
50,00	70,00	10,00	A	grooved	0,02	72 NBR 902	BAFUDX7	334834	●
50,00	70,00	10,00	AS	smooth	*	72 NBR 902	BABSL	49023852	●
50,00	70,00	10,00	C	metal	0,05	75 FKM 595	B2	80614	○
50,00	70,00	12,00	C	metal	0,02	72 NBR 902	B2FUD	334347	●
50,00	70,00	12,00	B	metal	0,02	72 NBR 902	B1FUD	334672	●
50,00	70,00	12,00	A	smooth	0,05	72 NBR 902	BA	385267	○
50,00	70,00	12,00	A	smooth	0,05	72 NBR 902	BAU	8677	●
50,00	72,00	7,00	AS	smooth	*	72 NBR 902	BABSL	3036	●
50,00	72,00	7,00	AS	smooth	*	75 FKM 595	BABSL	418718	●
50,00	72,00	7,50	A	metal	un-pressurised	80 FKM 177459	MSC 02	508612	●
50,00	72,00	7,50	A	metal	un-pressurised	80 NBR 177458	MSC 02	508636	●
50,00	72,00	8,00	B	metal	0,02	72 NBR 902	B1FUD	335105	●
50,00	72,00	8,00	A	grooved	0,05	75 FKM 585	BAUMX7	388083	●
50,00	72,00	8,00	C	metal	up to 1 MPa	PTFE F56101	B2PT	406804	●
50,00	72,00	8,00	AS	grooved	0,05	75 FKM 585	BAUMSLX7	410430	●
50,00	72,00	8,00	A	smooth	0,02	72 NBR 902	BAFUD	49001627	●
50,00	72,00	8,00	AS	smooth	0,05	72 NBR 902	BAUSLX2	529406	●
50,00	72,00	8,00	C	metal	up to 1 MPa	PTFE F56101	B2PT	529450	○
50,00	72,00	10,00	CS	metal	0,05	72 NBR 902	B2USL	32425	●
50,00	72,00	10,00	BS	metal	0,02	72 NBR 902	B1FUDSL	335106	●
50,00	72,00	10,00	A	grooved	0,02	72 NBR 902	BAFUDX7	346653	●
50,00	72,00	10,00	C	metal	0,02	72 NBR 902	B2FUD	355458	●
50,00	72,00	10,00	B	metal	0,02	72 NBR 902	B1FUD	356350	●
50,00	72,00	10,00	A	smooth	0,05	72 NBR 902	BA	8694	●
50,00	72,00	12,00	CS	metal	0,05	72 NBR 902	B2SL	23599	●
50,00	72,00	12,00	AS	grooved	0,02	72 NBR 902	BAFUDSLX7	334835	●
50,00	72,00	12,00	C	metal	0,02	72 NBR 902	B2FUD	355449	●
50,00	72,00	12,00	B	metal	0,02	72 NBR 902	B1FUD	356347	●
50,00	72,00	12,00	AS	smooth	0,05	72 NBR 902	BAUSLX2	530502	●
50,00	75,00	7,00	AS	smooth	0,05	72 NBR 902	BAUSLX2	522367	●
50,00	75,00	8,00	AS	grooved	0,05	75 FKM 585	BAUMSLX7	468760	●
50,00	75,00	9,00	B	metal	0,05	72 NBR 902	B1	19849	●
50,00	75,00	10,00	A	smooth	0,05	72 NBR 902	BAU	8711	●
50,00	75,00	12,00	C	metal	0,02	72 NBR 902	B2FUD	334963	●
50,00	78,00	10,00	A	smooth	0,05	72 NBR 902	BAU	8713	●
50,00	78,00	13,00	C	metal	0,05	72 NBR 902	B2U	23093	●
50,00	80,00	8,00	B	metal	0,02	72 NBR 902	B1FUD	334929	●
50,00	80,00	8,00	A	grooved	0,05	75 FKM 585	BAUMX7	389830	●
50,00	80,00	8,00	AS	grooved	0,05	75 FKM 585	BAUMSLX7	477663	●

● Available from stock ○ On request: Tool is available, delivery at short notice * → Diagram 2, page 18

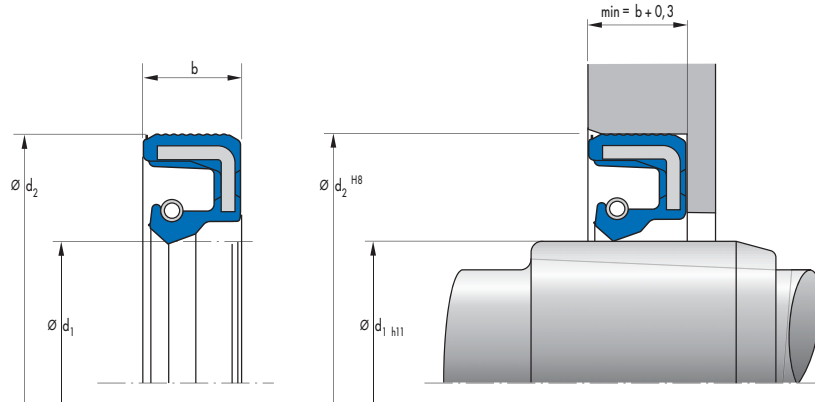


d ₁	d ₂	b	DIN 3761	Outer surface	Pressure	Material	Type	Article No.	
50,00	80,00	8,00	A	smooth	0,02	72 NBR 902	BAFUD	49001628	●
50,00	80,00	8,00	AS	smooth	0,05	72 NBR 902	BAUSLX2	522368	●
50,00	80,00	8,00	A	smooth	0,05	72 NBR 902	BAUX2	531107	●
50,00	80,00	10,00	C	metal	0,05	75 FKM 595	B2U	300325	○
50,00	80,00	10,00	B	metal	0,02	72 NBR 902	B1FUD	334930	●
50,00	80,00	10,00	C	metal	0,02	72 NBR 902	B2FUD	334964	●
50,00	80,00	10,00	AS	grooved	0,05	75 FKM 585	BAUMSLX7	405447	●
50,00	80,00	10,00	AS	grooved	0,05	72 NBR 902	BAUSLX27	451009	●
50,00	80,00	10,00	AS	smooth	0,05	75 FKM 585	BAUMSL	455622	●
50,00	80,00	10,00	AS	smooth	0,05	72 NBR 902	BAUSLX2	455623	●
50,00	80,00	10,00	A	smooth	0,05	72 NBR 902	BAUX2	49037530	●
50,00	80,00	10,00	AS	grooved	0,05	75 FKM 585	BAUMSLX7	526239	○
50,00	80,00	10,00	A	smooth	0,05	72 NBR 902	BAU	8716	●
50,00	80,00	10,00	-	smooth	0,05	72 NBR 902	MSS 1	525353	●
50,00	80,00	13,00	B	metal	0,05	72 NBR 902	B1	19851	○
50,00	80,00	13,00	C	metal	0,05	72 NBR 902	B2	23095	●
50,00	80,00	13,00	CS	metal	0,05	72 NBR 902	B2USL	23538	●
50,00	80,00	13,00	A	smooth	0,05	72 NBR 902	BAUSL	340571	●
50,00	80,00	13,00	A	smooth	0,05	72 NBR 902	BA	8720	●
50,00	85,00	10,00	AS	smooth	0,05	72 NBR 902	BAUSLX2	521126	●
50,00	85,00	13,00	C	metal	0,05	72 NBR 902	B2	23096	●
50,00	90,00	8,00	AS	grooved	0,05	72 NBR 902	BAUSLX27	49001660	●
50,00	90,00	8,00	AS	smooth	0,05	75 FKM 585	BAUMSL	49011966	●
50,00	90,00	10,00	B	metal	0,05	72 NBR 902	B1	19853	●
50,00	90,00	10,00	B	metal	0,05	72 NBR 902	B1U	426908	○
50,00	90,00	10,00	AS	smooth	0,05	75 FKM 585	BAUMSL	455624	●
50,00	90,00	10,00	AS	smooth	0,05	72 NBR 902	BAUSLX2	455625	●
50,00	90,00	10,00	A	smooth	0,05	72 NBR 902	BAUX2	531103	●
50,00	90,00	10,00	-	smooth	0,05	72 NBR 902	MSS 1	525358	●
50,00	90,00	13,00	C	metal	0,05	72 NBR 902	B2U	23097	●
50,00	110,00	10,00	AS	smooth	0,05	75 FKM 585	BAUMSL	49014240	●
50,00	110,00	10,00	AS	smooth	0,05	72 NBR 902	BAUSLX2	49014241	●
50,80	76,20	9,50	B	metal	0,05	72 NBR 902	B1	19855	●
50,80	76,20	12,70	C	metal	0,05	72 NBR 902	B2	23098	○
52,00	68,00	7,00	B	metal	0,05	72 NBR 902	B1U	19522	●
52,00	68,00	7,00	BS	metal	0,02	72 NBR 902	B1FUDSL	355473	●

● Available from stock ○ On request: Tool is available, delivery at short notice * → Diagram 2, page 18

d ₁	d ₂	b	DIN 3761	Outer surface	Pressure	Material	Type	Article No.	
52,00	68,00	8,00	AS	smooth	0,02	72 NBR 902	BAFUDSL	12013905	●
52,00	68,00	8,00	B	metal	0,05	72 NBR 902	B1U	19523	●
52,00	68,00	8,00	A	grooved	0,02	72 NBR 902	BAFUDX7	334316	●
52,00	68,00	8,00	A	grooved	0,05	75 FKM 585	BAUMX7	400964	●
52,00	68,00	8,00	AS	grooved	0,05	75 FKM 585	BAUMSLX7	409244	●
52,00	68,00	10,00	C	metal	0,05	72 NBR 902	B2U	22755	●
52,00	68,00	10,00	AS	smooth	*	72 NBR 902	BABSL	341297	●
52,00	68,00	10,00	AS	smooth	*	75 FKM 595	BABSL	49021367	●
52,00	68,00	10,00	A	smooth	0,05	72 NBR 902	BA	8742	●
52,00	69,00	12,00	C	metal	0,05	72 NBR 902	B2	22757	●
52,00	70,00	10,00	C	metal	0,05	72 NBR 902	B2U	22758	●
52,00	72,00	5,50	A	metal	un-pressurised	80 NBR 177458	MSC 01	508536	●
52,00	72,00	5,50	A	metal	un-pressurised	80 FKM 177459	MSC 01	508585	●
52,00	72,00	8,00	B	metal	0,05	72 NBR 902	B1	2655	●
52,00	72,00	8,00	A	grooved	0,02	72 NBR 902	BAFUDX7	355489	●
52,00	72,00	8,00	C	metal	up to 1 MPa	PTFE F56101	B2PT	362508	○
52,00	72,00	8,00	A	grooved	0,05	75 FKM 585	BAUMX7	389280	●
52,00	72,00	8,00	C	metal	up to 1 MPa	PTFE F56101	B2PT	406805	●
52,00	72,00	8,00	AS	grooved	0,05	75 FKM 585	BAUMSLX7	410422	●
52,00	72,00	10,00	B	metal	0,05	72 NBR 902	B1	19857	●
52,00	72,00	10,00	C	metal	0,05	72 NBR 902	B2U	22760	●
52,00	72,00	10,00	AS	smooth	0,05	72 NBR 902	BAUSLX2	470379	●
52,00	72,00	10,00	AS	smooth	0,05	75 FKM 585	BAUMSL	470380	●
52,00	72,00	10,00	A	smooth	0,05	72 NBR 902	BAU	8747	●
52,00	72,00	10,00	-	smooth	0,05	72 NBR 902	MSS 1	525379	●
52,00	72,00	12,00	B	metal	0,05	72 NBR 902	B1U	19859	●
52,00	72,00	12,00	B	metal	0,05	72 NBR 902	B1USL	20310	●
52,00	72,00	12,00	C	metal	0,05	72 NBR 902	B2U	23100	●
52,00	72,00	12,00	A	smooth	0,05	72 NBR 902	BA	8749	●
52,00	75,00	10,00	C	metal	0,05	72 NBR 902	B2U	3546	●
52,00	75,00	10,00	A	smooth	0,05	72 NBR 902	BA	8751	●
52,00	75,00	12,00	C	metal	0,05	72 NBR 902	B2U	23101	●
52,00	80,00	10,00	C	metal	0,05	72 NBR 902	B2	22761	●
52,00	80,00	10,00	AS	grooved	0,05	75 FKM 585	BAUMSLX7	532940	●
52,00	80,00	10,00	A	smooth	0,05	72 NBR 902	BA	8753	●
52,00	80,00	13,00	BS	metal	0,05	72 NBR 902	B1SL	20151	●
52,00	80,00	13,00	C	metal	0,05	72 NBR 902	B2U	23102	●
52,00	85,00	10,00	C	metal	0,05	72 NBR 902	B2	23104	●
52,00	85,00	10,00	AS	grooved	0,05	75 FKM 585	BAUMSLX7	465368	●
52,00	85,00	10,00	A	smooth	0,02	72 NBR 902	BAFUD	523559	●
52,00	85,00	10,00	A	smooth	0,05	72 NBR 902	BA	8763	●
52,00	85,00	13,00	C	metal	0,05	72 NBR 902	B2	23105	●
52,00	90,00	13,00	C	metal	0,05	72 NBR 902	B2U	23106	●
52,00	100,00	10,00	AS	smooth	0,05	75 FKM 585	BAUMSL	470340	●
52,00	100,00	10,00	AS	smooth	0,05	72 NBR 902	BAUSLX2	470342	●
52,00	100,00	10,00	A	grooved	0,05	75 FKM 585	BAUMX7	524706	●
52,00	100,00	10,00	-	smooth	0,05	72 NBR 902	MSS 1	525389	●
53,00	68,00	10,00	A	smooth	0,02	72 NBR 902	BAFUD	12010980	●
53,00	68,00	10,00	C	metal	0,05	72 NBR 902	B2U	22762	●
53,00	72,00	12,00	C	metal	0,05	72 NBR 902	B2	23108	●

● Available from stock ○ On request: Tool is available, delivery at short notice * → Diagram 2, page 18

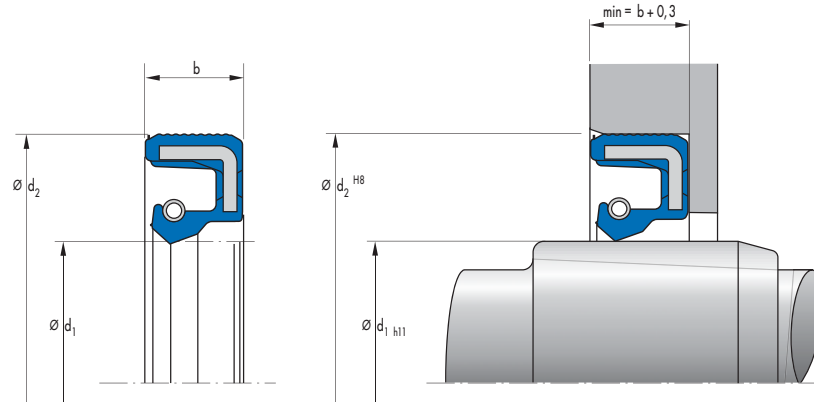


d_1	d_2	b	DIN 3761	Outer surface	Pressure	Material	Type	Article No.	
53,00	80,00	13,00	C	metal	0,05	72 NBR 902	B2U	23109	●
53,98	73,03	6,40	B	metal	0,05	72 NBR 902	B1	18428	●
53,98	76,20	12,50	C	metal	0,05	72 NBR 902	B2U	23112	●
54,00	70,00	8,00	AS	grooved	0,05	75 FKM 585	BAUMSLX7	532939	●
54,00	70,00	10,00	B	metal	0,05	72 NBR 902	B1U	21249	●
54,00	70,00	10,00	A	smooth	0,05	72 NBR 902	BA	8781	●
54,00	70,00	12,00	C	metal	0,05	72 NBR 902	B2U	22763	●
54,00	72,00	10,00	C	metal	0,05	72 NBR 902	B2U	22764	●
54,00	80,00	10,00	C	metal	0,05	72 NBR 902	B2	22765	●
54,00	80,00	13,00	C	metal	0,05	72 NBR 902	B2U	23116	●
54,00	81,00	10,00	AS	grooved	0,02	72 NBR 902	BAFUDSLX7	407530	●
54,00	85,00	10,00	C	metal	0,05	72 NBR 902	B2	22766	●
55,00	68,00	8,00	A	grooved	0,02	72 NBR 902	BAFUDX7	355483	●
55,00	68,00	8,00	AS	grooved	0,05	75 FKM 585	BAUMSLX7	520864	●
55,00	68,00	8,00	A	grooved	0,05	75 FKM 585	BAUMX7	525674	●
55,00	68,00	8,00	AS	smooth	0,05	72 NBR 902	BAUSLX2	525828	●
55,00	70,00	7,00	AS	smooth	*	72 NBR 902	BABSL	457349	●
55,00	70,00	7,00	A	smooth	0,05	72 NBR 902	BAUX2	520469	●
55,00	70,00	7,00	AS	smooth	0,05	72 NBR 902	BAUSLX2	521375	●
55,00	70,00	8,00	AS	smooth	*	72 NBR 902	BABSL	12001706	●
55,00	70,00	8,00	BS	metal	0,02	72 NBR 902	B1FUDSL	334395	●
55,00	70,00	8,00	B	metal	0,02	72 NBR 902	B1FUD	335111	●
55,00	70,00	8,00	C	metal	up to 1 MPa	PTFE F56101	B2PT	406820	●
55,00	70,00	8,00	AS	grooved	0,05	75 FKM 585	BAUMSLX7	476381	●
55,00	70,00	8,00	AS	smooth	0,02	72 NBR 902	BAFUDSL	49001656	●
55,00	70,00	8,00	A	smooth	0,05	72 NBR 902	BAUX2	528747	●
55,00	70,00	10,00	A	grooved	0,05	75 FKM 585	BAUMX7	386016	●
55,00	70,00	10,00	A	smooth	0,05	72 NBR 902	BAU	8799	●
55,00	72,00	7,00	AS	smooth	*	72 NBR 902	BABSL	13984	●
55,00	72,00	7,00	AS	smooth	*	75 FKM 595	BABSL	479065	●
55,00	72,00	7,00	AS	smooth	*	75 FKM 595	BABSL	49008285	●
55,00	72,00	8,00	AS	smooth	*	72 NBR 902	BABSL	12011530	●
55,00	72,00	8,00	B	metal	0,02	72 NBR 902	B1FUD	334676	●
55,00	72,00	8,00	A	grooved	0,05	75 FKM 585	BAUMX7	386017	●
55,00	72,00	8,00	AS	grooved	0,05	75 FKM 585	BAUMSLX7	407140	●
55,00	72,00	8,00	AS	smooth	0,05	72 NBR 902	BAUSLX2	476679	●

● Available from stock ○ On request: Tool is available, delivery at short notice * → Diagram 2, page 18

d ₁	d ₂	b	DIN 3761	Outer surface	Pressure	Material	Type	Article No.	
55,00	72,00	8,00	A	smooth	0,02	72 NBR 902	BAFUD	532625	●
55,00	72,00	10,00	B	metal	0,02	72 NBR 902	B1FUD	334370	●
55,00	72,00	10,00	C	metal	0,02	72 NBR 902	B2FUD	334677	●
55,00	72,00	10,00	BS	metal	0,02	72 NBR 902	B1FUDSL	335113	●
55,00	72,00	10,00	A	grooved	0,02	72 NBR 902	BAFUDX7	335477	●
55,00	72,00	10,00	C	metal	up to 1 MPa	PTFE F56101	B2PT	353545	●
55,00	72,00	10,00	AS	smooth	0,05	72 NBR 902	BAUSLX2	462742	●
55,00	72,00	10,00	AS	smooth	0,05	75 FKM 585	BAUMSL	462744	●
55,00	72,00	10,00	-	smooth	0,05	72 NBR 902	MSS 1	525360	●
55,00	72,00	10,00	-	smooth	0,05	75 FKM 585	MSS 1	525365	●
55,00	72,00	12,00	BS	metal	0,02	72 NBR 902	B1FUDSL	334279	●
55,00	72,00	12,00	C	metal	0,02	72 NBR 902	B2FUD	334333	●
55,00	72,00	12,00	B	metal	0,02	72 NBR 902	B1FUD	334675	●
55,00	75,00	5,50	A	metal	un-pressurised	80 NBR 177458	MSC 01	508537	●
55,00	75,00	5,50	A	metal	un-pressurised	80 FKM 177459	MSC 01	508586	●
55,00	75,00	7,00	AS	smooth	*	75 FKM 595	BABSL	418724	●
55,00	75,00	7,00	AS	smooth	*	72 NBR 902	BABSL	423894	●
55,00	75,00	8,00	AS	grooved	0,05	75 FKM 585	BAUMSLX7	410784	●
55,00	75,00	8,00	AS	smooth	0,05	72 NBR 902	BAUSLX2	475176	●
55,00	75,00	10,00	A	grooved	0,02	72 NBR 902	BAFUDX7	355484	●
55,00	75,00	10,00	A	smooth	0,05	72 NBR 902	BAU	366523	○
55,00	75,00	10,00	C	metal	0,05	72 NBR 902	B2U	80235	●
55,00	75,00	12,00	B	metal	0,02	72 NBR 902	B1FUD	334931	●
55,00	75,00	12,00	C	metal	0,02	72 NBR 902	B2FUD	334965	●
55,00	75,00	13,00	A	smooth	0,05	72 NBR 902	BAU	8815	●
55,00	75,00	15,00	A	smooth	0,05	72 NBR 902	BADUO	8817	○
55,00	77,00	7,50	A	metal	un-pressurised	80 FKM 177459	MSC 02	508613	●
55,00	77,00	7,50	A	metal	un-pressurised	80 NBR 177458	MSC 02	508637	●
55,00	78,00	10,00	AS	grooved	0,05	75 FKM 585	BAUMSLX7	474111	●
55,00	78,00	10,00	A	smooth	0,05	72 NBR 902	BA	8822	●
55,00	78,00	13,00	C	metal	0,05	72 NBR 902	B2	23118	●
55,00	80,00	8,00	A	grooved	0,05	75 FKM 585	BAUMX7	400987	●
55,00	80,00	8,00	C	metal	up to 1 MPa	PTFE F56101	B2PT	406821	●
55,00	80,00	8,00	AS	grooved	0,05	75 FKM 585	BAUMSLX7	521008	●
55,00	80,00	8,00	AS	smooth	0,05	72 NBR 902	BAUSLX2	524199	●
55,00	80,00	8,00	A	smooth	0,05	72 NBR 902	BAUX2	524644	●
55,00	80,00	8,00	B	metal	0,05	72 NBR 902	B1U	526428	●
55,00	80,00	10,00	B	metal	0,05	72 NBR 902	B1U	19865	●
55,00	80,00	10,00	C	metal	0,05	72 NBR 902	B2U	23119	●
55,00	80,00	10,00	CS	metal	0,02	72 NBR 902	B2FUDSL	334966	●
55,00	80,00	10,00	A	grooved	0,05	75 FKM 585	BAUMX7	388830	●
55,00	80,00	10,00	AS	smooth	0,05	72 NBR 902	BAUSLX2	524501	●
55,00	80,00	10,00	A	smooth	0,05	72 NBR 902	BAU	8825	●
55,00	80,00	12,00	C	metal	0,05	72 NBR 902	B2U	23120	●
55,00	80,00	13,00	B	metal	0,05	72 NBR 902	B1U	19866	●
55,00	80,00	13,00	BS	metal	0,02	72 NBR 902	B1FUDSL	334396	●
55,00	80,00	13,00	C	metal	0,05	72 NBR 902	B2U	3564	●
55,00	80,00	13,00	A	smooth	0,05	72 NBR 902	BAU	8834	●
55,00	85,00	8,00	B	metal	0,05	72 NBR 902	B1	2659	●
55,00	85,00	8,00	A	grooved	0,05	75 FKM 585	BAUMX7	411522	●

● Available from stock ○ On request: Tool is available, delivery at short notice * → Diagram 2, page 18

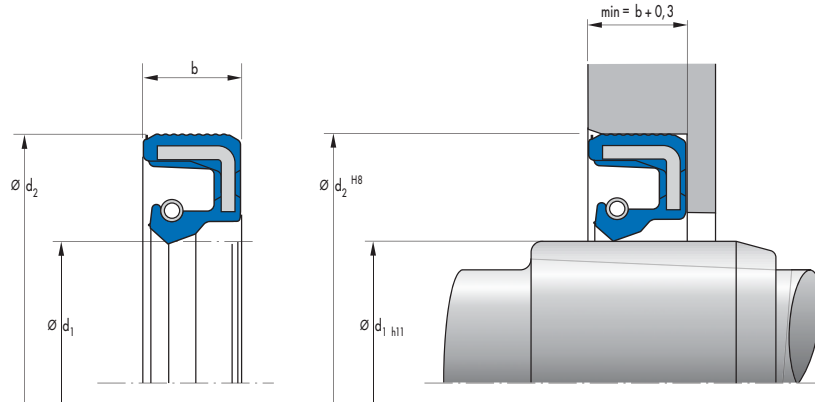


d ₁	d ₂	b	DIN 3761	Outer surface	Pressure	Material	Type	Article No.	
55,00	85,00	8,00	A	smooth	0,05	72 NBR 902	BAU	523560	●
55,00	85,00	10,00	C	metal	0,05	72 NBR 902	B2U	22769	●
55,00	85,00	10,00	A	grooved	0,05	75 FKM 585	BAUMX7	389288	●
55,00	85,00	10,00	A	smooth	0,05	72 NBR 902	BA	8836	●
55,00	85,00	13,00	B	metal	0,05	72 NBR 902	B1U	19868	●
55,00	85,00	13,00	C	metal	0,05	72 NBR 902	B2	23122	●
55,00	85,00	13,00	A	smooth	0,05	72 NBR 902	BAU	8838	●
55,00	90,00	8,00	AS	grooved	0,05	72 NBR 902	BAUSLX7	377885	●
55,00	90,00	8,00	AS	grooved	0,05	75 FKM 585	BAUMSLX7	477662	●
55,00	90,00	8,00	A	smooth	0,05	72 NBR 902	BAUX2	49009274	●
55,00	90,00	8,00	A	smooth	0,05	75 FKM 585	BAUM	49012068	●
55,00	90,00	8,00	AS	smooth	0,05	72 NBR 902	BAUSLX2	49033016	●
55,00	90,00	9,00	-	smooth	0,05	72 NBR 902	MSS 7	522351	●
55,00	90,00	10,00	AS	smooth	0,05	75 FKM 585	BAUMSL	455629	●
55,00	90,00	10,00	AS	smooth	0,05	72 NBR 902	BAUSLX2	455630	●
55,00	90,00	10,00	A	smooth	0,05	72 NBR 902	BAUX2	521240	●
55,00	90,00	10,00	-	smooth	0,05	72 NBR 902	MSS 1	525359	●
55,00	90,00	10,00	-	smooth	0,05	75 FKM 585	MSS 1	525364	○
55,00	90,00	13,00	C	metal	0,05	72 NBR 902	B2	23123	●
55,00	100,00	8,00	AS	smooth	0,05	72 NBR 902	BAUSLX2	49003306	●
55,00	100,00	8,00	AS	smooth	0,05	75 FKM 585	BAUMSL	49011965	●
55,00	100,00	10,00	AS	smooth	0,05	72 NBR 902	BAUSLX2	470437	●
55,00	100,00	10,00	AS	smooth	0,05	75 FKM 585	BAUMSL	470438	●
55,00	100,00	10,00	A	smooth	0,05	72 NBR 902	BAUX2	49002809	●
55,00	100,00	10,00	-	smooth	0,05	72 NBR 902	MSS 1	525393	●
55,00	100,00	10,00	-	smooth	0,05	75 FKM 585	MSS 1	525425	○
55,00	100,00	13,00	C	metal	0,05	72 NBR 902	B2U	23124	●
55,00	110,00	10,00	AS	grooved	0,05	75 FKM 585	BAUMSLX7	465367	●
56,00	70,00	8,00	AS	smooth	0,02	72 NBR 902	BAFUDSL	12011189	●
56,00	70,00	8,00	A	smooth	0,05	72 NBR 902	BA	27338	●
56,00	70,00	8,00	B	metal	0,05	72 NBR 902	B1	28930	●
56,00	70,00	8,00	AS	grooved	0,05	75 FKM 585	BAUMSLX7	407296	●
56,00	72,00	8,00	B	metal	0,05	72 NBR 902	B1U	19530	●
56,00	72,00	8,00	AS	grooved	0,05	75 FKM 585	BAUMSLX7	410420	●
56,00	72,00	8,00	A	smooth	0,05	72 NBR 902	BAU	8850	●
56,00	72,00	10,00	C	metal	0,05	72 NBR 902	B2	2838	●

● Available from stock ○ On request: Tool is available, delivery at short notice * → Diagram 2, page 18

d ₁	d ₂	b	DIN 3761	Outer surface	Pressure	Material	Type	Article No.	
56,00	72,00	10,00	A	smooth	0,05	72 NBR 902	BA	8856	●
56,00	78,00	13,00	C	metal	0,05	72 NBR 902	B2	23125	●
56,00	80,00	8,00	A	smooth	0,05	72 NBR 902	BA	2799	●
56,00	80,00	8,00	A	grooved	0,05	75 FKM 585	BAUMX7	411523	●
56,00	80,00	10,00	B	metal	0,05	72 NBR 902	B1U	19870	●
56,00	80,00	10,00	C	metal	0,05	72 NBR 902	B2U	22770	●
56,00	80,00	13,00	C	metal	0,05	72 NBR 902	B2	23126	○
56,00	85,00	8,00	A	smooth	0,05	72 NBR 902	BA	31451	●
56,00	85,00	8,00	A	grooved	0,05	75 FKM 585	BAUMX7	411524	●
56,00	85,00	8,00	A	smooth	0,02	72 NBR 902	BAFUD	523561	●
56,00	90,00	13,00	C	metal	0,05	72 NBR 902	B2	23128	●
57,00	72,00	9,00	B	metal	0,05	72 NBR 902	B1USL	520586	●
57,00	72,00	10,00	C	metal	0,05	72 NBR 902	B2U	22772	●
57,00	80,00	12,00	C	metal	0,05	72 NBR 902	B2	23129	●
57,00	85,00	10,00	C	metal	0,05	72 NBR 902	B2	22773	○
57,00	85,00	12,00	C	metal	0,05	72 NBR 902	B2	23130	●
57,00	90,00	13,00	B	metal	0,05	72 NBR 902	B1U	19873	●
57,00	90,00	13,00	C	metal	0,05	72 NBR 902	B2	23131	●
57,15	76,20	13,00	C	metal	0,05	72 NBR 902	B2	20608	●
57,15	82,55	9,50	B	metal	0,05	72 NBR 902	B1U	19874	●
58,00	72,00	8,00	B	metal	0,02	72 NBR 902	B1FUD	335183	●
58,00	72,00	8,00	A	grooved	0,05	75 FKM 585	BAUMX7	403099	●
58,00	72,00	8,00	A	smooth	0,02	72 NBR 902	BAFUD	49001629	●
58,00	72,00	8,00	AS	grooved	0,05	75 FKM 585	BAUMSLX7	49009508	●
58,00	75,00	10,00	A	grooved	0,02	72 NBR 902	BAFUDX7	334320	●
58,00	75,00	12,00	C	metal	0,02	72 NBR 902	B2FUD	334967	●
58,00	78,00	5,50	A	metal	un-pressurised	80 NBR 177458	MSC 01	508539	●
58,00	78,00	5,50	A	metal	un-pressurised	80 FKM 177459	MSC 01	508587	●
58,00	78,00	13,00	C	metal	0,05	72 NBR 902	B2U	22775	●
58,00	80,00	8,00	B	metal	0,05	72 NBR 902	B1U	14049	●
58,00	80,00	8,00	A	grooved	0,02	72 NBR 902	BAFUDX7	334839	●
58,00	80,00	8,00	A	grooved	0,05	75 FKM 585	BAUMX7	411526	●
58,00	80,00	8,00	AS	grooved	0,05	75 FKM 585	BAUMSLX7	478514	○
58,00	80,00	10,00	AS	grooved	0,02	72 NBR 902	BAFUDSLX7	12011190	●
58,00	80,00	10,00	C	metal	0,05	72 NBR 902	B2U	23133	●
58,00	80,00	10,00	CS	metal	0,05	72 NBR 902	B2USL	23431	●
58,00	80,00	10,00	A	smooth	0,05	72 NBR 902	BAU	8883	●
58,00	80,00	12,00	C	metal	0,05	72 NBR 902	B2U	23490	●
58,00	80,00	13,00	B	metal	0,05	72 NBR 902	B1U	19875	●
58,00	80,00	13,00	CS	metal	0,05	72 NBR 902	B2USL	23453	●
58,00	80,00	13,00	CS	metal	0,05	72 NBR 902	B2USL	457620	●
58,00	85,00	10,00	C	metal	0,05	72 NBR 902	B2U	22776	●
58,00	85,00	13,00	C	metal	0,05	72 NBR 902	B2	23134	●
58,00	90,00	10,00	A	smooth	0,02	72 NBR 902	BAFUD	12010996	●
58,00	90,00	13,00	C	metal	0,05	72 NBR 902	B2U	23135	●
60,00	70,00	7,00	B	metal	0,05	72 NBR 902	B1	18349	●
60,00	70,00	7,00	B	metal	un-pressurised	72 NBR 902	B1FOF	415873	○
60,00	72,00	7,00	AS	smooth	*	72 NBR 902	BABSL	377869	●
60,00	72,00	7,00	AS	smooth	*	72 NBR 902	BABSL	49001732	●
60,00	72,00	7,00	BS	metal	0,02	72 NBR 902	B1FUDSL	532633	●

● Available from stock ○ On request: Tool is available, delivery at short notice * → Diagram 2, page 18

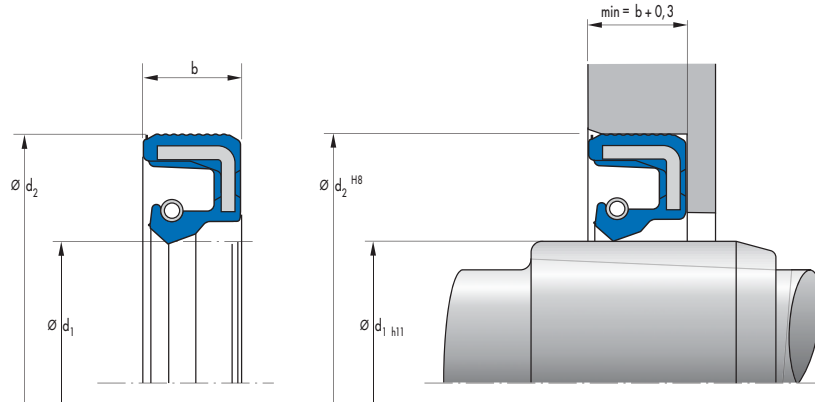


d ₁	d ₂	b	DIN 3761	Outer surface	Pressure	Material	Type	Article No.	
60,00	72,00	7,00	B	metal	0,02	72 NBR 902	B1FUD	532634	●
60,00	72,00	8,00	B	metal	0,02	72 NBR 902	B1FUD	334397	●
60,00	75,00	8,00	AS	smooth	*	72 NBR 902	BABSL	12001708	●
60,00	75,00	8,00	BS	metal	0,02	72 NBR 902	B1FUDSL	334398	●
60,00	75,00	8,00	B	metal	0,02	72 NBR 902	B1FUD	355634	●
60,00	75,00	8,00	C	metal	0,02	72 NBR 902	B2FUD	356373	●
60,00	75,00	8,00	A	smooth	0,05	72 NBR 902	BAU	390993	○
60,00	75,00	8,00	AS	grooved	0,05	75 FKM 585	BAUMSLX7	404321	●
60,00	75,00	8,00	C	metal	up to 1 MPa	PTFE F56101	B2PT	406823	●
60,00	75,00	8,00	A	grooved	0,05	75 FKM 585	BAUMX7	49015826	●
60,00	75,00	8,00	A	smooth	0,05	72 NBR 902	BAUX2	49017410	●
60,00	75,00	8,00	AS	smooth	0,05	72 NBR 902	BAUSLX2	524219	●
60,00	75,00	10,00	AS	smooth	*	75 FKM 595	BABSL	430573	●
60,00	78,00	10,00	B	metal	0,05	72 NBR 902	B1	19878	●
60,00	78,00	10,00	A	grooved	0,05	75 FKM 585	BAUMX7	49037121	●
60,00	78,00	10,00	A	smooth	0,05	72 NBR 902	BA	8909	●
60,00	78,00	13,00	C	metal	0,05	72 NBR 902	B2U	22777	●
60,00	80,00	5,50	A	metal	un-pressurised	80 NBR 177458	MSC 01	508540	●
60,00	80,00	5,50	A	metal	un-pressurised	80 FKM 177459	MSC 01	508588	●
60,00	80,00	7,00	AS	smooth	*	72 NBR 902	BABSL	335195	●
60,00	80,00	7,00	AS	smooth	*	75 FKM 595	BABSL	341551	○
60,00	80,00	7,00	AS	smooth	*	75 FKM 595	BABSL	418727	●
60,00	80,00	7,00	AS	smooth	*	75 FKM 595	BABSL	463704	○
60,00	80,00	7,00	AS	smooth	*	75 FKM 595	BABSL	529503	●
60,00	80,00	8,00	A	grooved	0,02	72 NBR 902	BAFUDX7	334321	●
60,00	80,00	8,00	B	metal	0,02	72 NBR 902	B1FUD	335117	●
60,00	80,00	8,00	C	metal	up to 1 MPa	PTFE F56101	B2PT	406825	●
60,00	80,00	8,00	AS	grooved	0,05	75 FKM 585	BAUMSLX7	407294	●
60,00	80,00	8,00	AS	smooth	0,05	72 NBR 902	BAUSLX2	49028650	●
60,00	80,00	8,00	AS	smooth	0,05	72 NBR 902	BAUSLX2	49030494	●
60,00	80,00	8,00	A	grooved	0,05	75 FKM 585	BAUMX7	520224	●
60,00	80,00	8,00	C	metal	up to 1 MPa	PTFE F56101	B2PT	529451	○
60,00	80,00	10,00	B	metal	0,02	72 NBR 902	B1FUD	334399	●
60,00	80,00	10,00	C	metal	0,02	72 NBR 902	B2FUD	334968	●
60,00	80,00	10,00	B	metal	0,05	72 NBR 902	B1U	349	○
60,00	80,00	10,00	C	metal	up to 1 MPa	PTFE F56101	B2PT	353546	○

● Available from stock ○ On request: Tool is available, delivery at short notice * → Diagram 2, page 18

d ₁	d ₂	b	DIN 3761	Outer surface	Pressure	Material	Type	Article No.	
60,00	80,00	10,00	A	grooved	0,05	75 FKM 585	BAUMX7	386182	●
60,00	80,00	10,00	A	smooth	0,05	72 NBR 902	BAUX2	49020336	●
60,00	80,00	10,00	AS	smooth	0,05	72 NBR 902	BAUSLX2	529407	●
60,00	80,00	10,00	A	smooth	0,05	72 NBR 902	BAU	8920	○
60,00	80,00	10,00	AS	smooth	0,05	72 NBR 902	BASL	8927	●
60,00	80,00	12,00	B	metal	0,05	72 NBR 902	B1USL	32991	●
60,00	80,00	12,00	B	metal	0,02	72 NBR 902	B1FUD	334932	●
60,00	80,00	12,00	C	metal	0,02	72 NBR 902	B2FUD	334969	●
60,00	80,00	13,00	BS	metal	0,05	72 NBR 902	B1SL	20158	●
60,00	80,00	13,00	CS	metal	0,05	72 NBR 902	B2USL	23534	●
60,00	80,00	13,00	B	metal	0,02	72 NBR 902	B1FUD	334933	●
60,00	80,00	13,00	C	metal	0,02	72 NBR 902	B2FUD	334970	●
60,00	80,00	13,00	AS	smooth	0,05	72 NBR 902	BAUSLX2	49040138	●
60,00	82,00	7,50	A	metal	un-pressurised	80 FKM 177459	MSC 02	508614	●
60,00	82,00	7,50	A	metal	un-pressurised	80 NBR 177458	MSC 02	508638	●
60,00	85,00	8,00	AS	smooth	0,02	72 NBR 902	BAFUDSL	12011193	●
60,00	85,00	8,00	A	smooth	0,05	75 FKM 595	BAUM	121907	○
60,00	85,00	8,00	AS	smooth	*	72 NBR 902	BABSL	146437	●
60,00	85,00	8,00	A	grooved	0,02	72 NBR 902	BAFUDX7	334322	●
60,00	85,00	8,00	B	metal	0,02	72 NBR 902	B1FUD	334400	●
60,00	85,00	8,00	A	grooved	0,05	75 FKM 585	BAUMX7	389828	●
60,00	85,00	10,00	C	metal	0,02	72 NBR 902	B2FUD	334693	●
60,00	85,00	10,00	A	grooved	0,02	72 NBR 902	BAFUDX7	334842	●
60,00	85,00	10,00	AS	smooth	0,05	75 FKM 585	BAUMSL	384292	●
60,00	85,00	12,00	C	metal	0,02	72 NBR 902	B2FUD	334692	●
60,00	85,00	13,00	C	metal	0,02	72 NBR 902	B2FUD	334332	●
60,00	85,00	13,00	B	metal	0,02	72 NBR 902	B1FUD	334401	●
60,00	85,00	13,00	BS	metal	0,02	72 NBR 902	B1FUDSL	346132	●
60,00	85,00	13,00	A	smooth	0,05	72 NBR 902	BA	8941	●
60,00	90,00	8,00	AS	smooth	0,02	72 NBR 902	BAFUDSL	12011194	●
60,00	90,00	8,00	B	metal	0,02	72 NBR 902	B1FUD	334667	●
60,00	90,00	8,00	A	grooved	0,02	72 NBR 902	BAFUDX7	334844	●
60,00	90,00	8,00	A	grooved	0,05	75 FKM 585	BAUMX7	400796	●
60,00	90,00	8,00	AS	grooved	0,05	75 FKM 585	BAUMSLX7	407448	●
60,00	90,00	8,00	A	smooth	0,05	72 NBR 902	BAUX2	49037534	●
60,00	90,00	8,00	AS	smooth	0,05	72 NBR 902	BAUSLX2	524647	●
60,00	90,00	9,00	AS	smooth	0,05	72 NBR 902	BAUSLX2	522366	●
60,00	90,00	10,00	B	metal	0,05	72 NBR 902	B1USL	20160	●
60,00	90,00	10,00	C	metal	0,02	72 NBR 902	B2FUD	334353	●
60,00	90,00	10,00	B	metal	0,02	72 NBR 902	B1FUD	334666	●
60,00	90,00	10,00	A	grooved	0,05	75 FKM 585	BAUMX7	389605	●
60,00	90,00	10,00	A	smooth	0,05	72 NBR 902	BAU	8952	●
60,00	90,00	12,00	B	metal	0,02	72 NBR 902	B1FUD	334665	●
60,00	90,00	12,00	C	metal	0,02	72 NBR 902	B2FUD	334668	●
60,00	90,00	13,00	B	metal	0,05	72 NBR 902	B1USL	20161	●
60,00	90,00	13,00	A	grooved	0,02	72 NBR 902	BAFUDX7	334234	●
60,00	90,00	13,00	B	metal	0,02	72 NBR 902	B1FUD	396861	●
60,00	95,00	8,00	AS	grooved	0,05	75 FKM 585	BAUMSLX7	468761	●
60,00	95,00	10,00	AS	smooth	0,02	72 NBR 902	BAFUDSL	12000533	●
60,00	95,00	10,00	A	smooth	0,05	72 NBR 902	BAUX2	525827	●

● Available from stock ○ On request: Tool is available, delivery at short notice * → Diagram 2, page 18

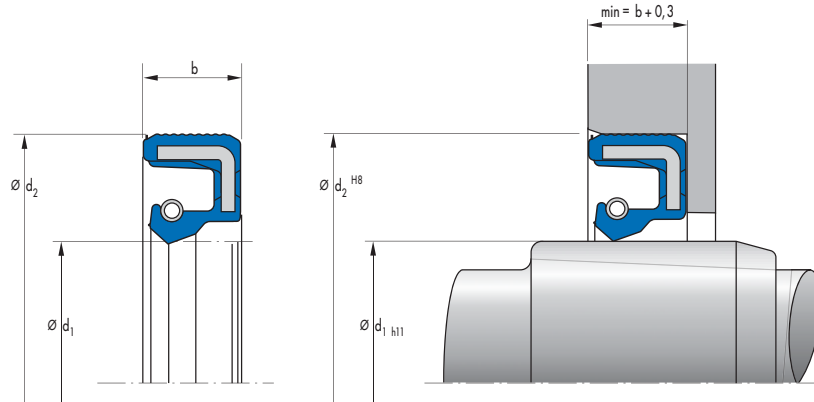


d ₁	d ₂	b	DIN 3761	Outer surface	Pressure	Material	Type	Article No.	
60,00	95,00	13,00	C	metal	0,05	72 NBR 902	B2U	23142	●
60,00	100,00	10,00	AS	smooth	0,05	72 NBR 902	BAUSLX2	49011493	●
60,00	100,00	10,00	A	grooved	0,05	75 FKM 585	BAUMX7	524450	●
60,00	100,00	10,00	A	smooth	0,05	72 NBR 902	BAU	8963	●
60,00	110,00	10,00	A	grooved	0,05	75 FKM 585	BAUMX7	478357	●
60,00	110,00	10,00	AS	smooth	0,05	72 NBR 902	BAUSLX2	479624	●
60,00	110,00	10,00	AS	smooth	0,05	75 FKM 585	BAUMSL	49012130	●
60,00	110,00	10,00	A	smooth	0,05	72 NBR 902	BAUX2	530010	●
60,00	110,00	10,00	–	smooth	0,05	72 NBR 902	MSS 7	477237	●
60,00	110,00	12,00	AS	smooth	0,05	75 FKM 585	BAUMSL	455631	●
60,00	110,00	12,00	AS	smooth	0,05	72 NBR 902	BAUSLX2	455632	●
60,00	110,00	12,00	–	smooth	0,05	72 NBR 902	MSS 1	525366	●
60,00	110,00	12,00	–	smooth	0,05	75 FKM 585	MSS 1	525369	●
60,00	110,00	13,00	A	smooth	0,05	72 NBR 902	BA	8965	●
61,00	75,00	8,00	B	metal	0,05	72 NBR 902	B1	19542	●
61,00	85,00	13,00	C	metal	0,05	72 NBR 902	B2U	23145	○
62,00	75,00	10,00	B	metal	0,05	72 NBR 902	B1	21017	●
62,00	80,00	10,00	C	metal	0,05	72 NBR 902	B2U	23148	●
62,00	80,00	10,00	A	smooth	0,05	72 NBR 902	BA	8978	●
62,00	80,00	12,00	C	metal	0,05	72 NBR 902	B2U	11647	●
62,00	82,00	5,50	A	metal	un-pressurised	80 NBR 177458	MSC 01	508544	●
62,00	82,00	5,50	A	metal	un-pressurised	80 FKM 177459	MSC 01	508589	●
62,00	85,00	7,00	AS	smooth	*	72 NBR 902	BABSL	106214	●
62,00	85,00	7,00	AS	smooth	*	75 FKM 595	BABSL	363452	●
62,00	85,00	10,00	B	metal	0,05	72 NBR 902	B1	19889	●
62,00	85,00	10,00	C	metal	0,05	72 NBR 902	B2U	23149	●
62,00	85,00	10,00	A	grooved	0,05	75 FKM 585	BAUMX7	400994	●
62,00	85,00	10,00	A	smooth	0,05	72 NBR 902	BA	8983	●
62,00	85,00	12,00	C	metal	0,05	72 NBR 902	B2	2503	●
62,00	85,00	13,00	C	metal	0,05	72 NBR 902	B2U	23150	●
62,00	85,00	13,00	CS	metal	0,05	72 NBR 902	B2USL	23433	●
62,00	90,00	10,00	C	metal	0,05	72 NBR 902	B2U	22780	●
62,00	90,00	10,00	B	metal	0,05	72 NBR 902	B1	31506	●
62,00	90,00	10,00	A	grooved	0,02	72 NBR 902	BAFUDX7	334847	●
62,00	90,00	10,00	A	grooved	0,05	75 FKM 585	BAUMX7	402395	●
62,00	90,00	10,00	AS	grooved	0,05	75 FKM 585	BAUMSLX7	520029	○

● Available from stock ○ On request: Tool is available, delivery at short notice * → Diagram 2, page 18

d ₁	d ₂	b	DIN 3761	Outer surface	Pressure	Material	Type	Article No.	
62,00	90,00	10,00	A	smooth	0,05	72 NBR 902	BAU	523562	○
62,00	90,00	12,00	C	metal	0,05	72 NBR 902	B2U	23151	●
62,00	90,00	12,00	AS	smooth	0,05	72 NBR 902	BAUSLX2	470364	●
62,00	90,00	12,00	AS	smooth	0,05	75 FKM 585	BAUMSL	470365	●
62,00	90,00	12,00	–	smooth	0,05	72 NBR 902	MSS 1	525384	●
62,00	90,00	12,00	–	smooth	0,05	75 FKM 585	MSS 1	525422	●
62,00	90,00	13,00	B	metal	0,05	72 NBR 902	B1U	19890	●
62,00	95,00	13,00	B	metal	0,05	72 NBR 902	B1U	19891	●
62,00	100,00	13,00	C	metal	0,05	72 NBR 902	B2	23152	●
62,00	120,00	12,00	AS	smooth	0,05	72 NBR 902	BAUSLX2	470345	●
62,00	120,00	12,00	AS	smooth	0,05	75 FKM 585	BAUMSL	470347	●
62,00	120,00	12,00	–	smooth	0,05	72 NBR 902	MSS 1	525400	●
63,00	85,00	10,00	B	metal	0,05	72 NBR 902	B1	18195	●
63,00	85,00	10,00	C	metal	0,05	72 NBR 902	B2U	23153	●
63,00	85,00	10,00	A	smooth	0,05	72 NBR 902	BAU	2794	●
63,00	85,00	10,00	A	grooved	0,05	75 FKM 585	BAUMX7	411527	●
63,00	85,00	12,00	C	metal	0,05	72 NBR 902	B2U	14876	●
63,00	85,00	13,00	C	metal	0,05	72 NBR 902	B2	23154	●
63,00	90,00	10,00	A	smooth	0,05	72 NBR 902	BA	14877	●
63,00	90,00	10,00	AS	grooved	0,05	75 FKM 585	BAUMSLX7	410417	●
63,00	90,00	10,00	A	grooved	0,05	75 FKM 585	BAUMX7	411528	●
63,00	90,00	12,00	C	metal	0,05	72 NBR 902	B2	2792	●
63,50	82,55	9,50	C	metal	0,05	72 NBR 902	B2U	23156	●
64,00	80,00	8,00	A	smooth	0,02	72 NBR 902	BAFUD	12011006	●
64,00	80,00	8,00	B	metal	0,05	72 NBR 902	B1	121796	●
64,00	80,00	13,00	C	metal	0,05	72 NBR 902	B2	22781	●
64,00	85,00	10,00	C	metal	0,05	72 NBR 902	B2U	23545	●
64,00	85,00	13,00	C	metal	0,05	72 NBR 902	B2U	23160	●
64,00	90,00	10,00	C	metal	0,05	72 NBR 902	B2U	22782	●
64,00	90,00	10,00	AS	grooved	0,05	75 FKM 585	BAUMSLX7	532938	●
64,00	90,00	10,00	A	smooth	0,05	72 NBR 902	BA	9003	●
64,00	90,00	13,00	B	metal	0,05	72 NBR 902	B1USL	20108	●
64,00	90,00	13,00	C	metal	0,05	72 NBR 902	B2	23161	●
64,00	90,00	13,00	CS	metal	0,05	72 NBR 902	B2USL	23454	●
65,00	75,00	8,00	B	metal	un-pressurised	72 NBR 902	B1OF	532635	●
65,00	80,00	7,00	AS	smooth	*	72 NBR 902	BABSL	12001711	●
65,00	80,00	7,00	B	metal	0,05	72 NBR 902	B1USL	37031	○
65,00	80,00	8,00	B	metal	0,02	72 NBR 902	B1FUD	334402	●
65,00	80,00	8,00	A	grooved	0,02	72 NBR 902	BAFUDX7	355414	●
65,00	80,00	8,00	B	metal	0,02	75 FKM 595	B1FUD	459463	○
65,00	80,00	8,00	AS	grooved	0,05	75 FKM 585	BAUMSLX7	474109	●
65,00	80,00	8,00	AS	grooved	0,05	72 NBR 902	BAUSLX7	49033418	○
65,00	80,00	8,00	A	grooved	0,05	75 FKM 585	BAUMX7	520225	●
65,00	80,00	10,00	C	metal	up to 1 MPa	PTFE F56101	B2PT	406826	●
65,00	85,00	5,50	A	metal	un-pressurised	80 NBR 177458	MSC 01	508546	●
65,00	85,00	5,50	A	metal	un-pressurised	80 FKM 177459	MSC 01	508590	●
65,00	85,00	10,00	AS	smooth	0,02	72 NBR 902	BAFUDSL	12011195	●
65,00	85,00	10,00	A	grooved	0,02	72 NBR 902	BAFUDX7	334324	●
65,00	85,00	10,00	B	metal	0,02	72 NBR 902	B1FUD	334375	●
65,00	85,00	10,00	C	metal	0,02	72 NBR 902	B2FUD	334697	●

● Available from stock ○ On request: Tool is available, delivery at short notice * → Diagram 2, page 18

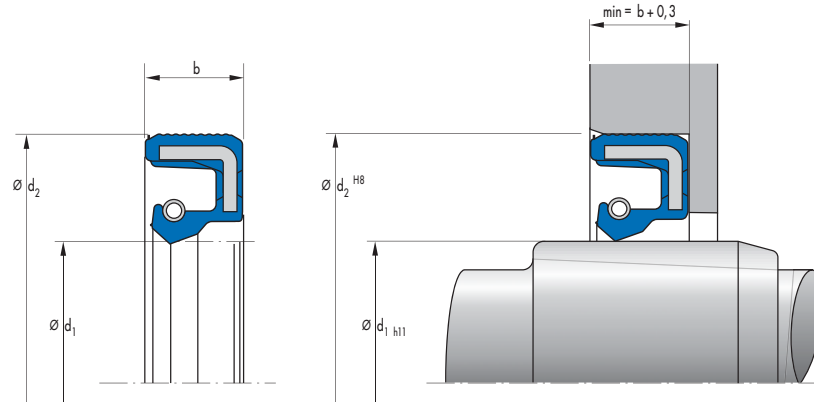


d ₁	d ₂	b	DIN 3761	Outer surface	Pressure	Material	Type	Article No.	
65,00	85,00	10,00	C	metal	0,05	75 FKM 585	B2U	389134	○
65,00	85,00	10,00	A	grooved	0,05	75 FKM 585	BAUMX7	389826	●
65,00	85,00	10,00	AS	grooved	0,05	75 FKM 585	BAUMSLX7	389999	●
65,00	85,00	10,00	B	metal	0,05	75 FKM 595	B1U	405903	○
65,00	85,00	10,00	C	metal	up to 1 MPa	PTFE F56101	B2PT	406827	●
65,00	85,00	10,00	AS	smooth	*	75 FKM 595	BABSL	49017957	○
65,00	85,00	10,00	A	smooth	0,05	72 NBR 902	BAU	9011	○
65,00	85,00	12,00	C	metal	0,02	72 NBR 902	B2FUD	334696	●
65,00	85,00	12,00	A	grooved	0,05	75 FKM 585	BAUMX7	389292	●
65,00	85,00	12,00	AS	smooth	0,05	72 NBR 902	BAUSLX2	470431	●
65,00	85,00	12,00	AS	smooth	0,05	75 FKM 585	BAUMSL	470432	●
65,00	85,00	12,00	-	smooth	0,05	72 NBR 902	MSS 1	525383	●
65,00	85,00	13,00	BS	metal	0,05	75 FKM 595	B1SL	322198	○
65,00	85,00	13,00	C	metal	0,02	72 NBR 902	B2FUD	334336	●
65,00	85,00	13,00	B	metal	0,02	72 NBR 902	B1FUD	334683	●
65,00	85,00	13,00	BS	metal	0,02	72 NBR 902	B1FUDSL	335118	●
65,00	85,00	13,00	AS	grooved	0,02	72 NBR 902	BAFUDSLX7	355410	●
65,00	85,00	13,00	A	smooth	0,05	72 NBR 902	BA	9015	●
65,00	87,00	7,50	A	metal	un-pressurised	80 FKM 177459	MSC 02	508615	●
65,00	87,00	7,50	A	metal	un-pressurised	80 NBR 177458	MSC 02	508639	●
65,00	90,00	7,00	AS	smooth	*	72 NBR 902	BABSL	146271	●
65,00	90,00	7,00	AS	smooth	*	75 FKM 595	BABSL	418822	●
65,00	90,00	8,00	AS	smooth	0,05	72 NBR 902	BAUSLX2	49017459	●
65,00	90,00	8,00	AS	smooth	0,05	75 FKM 585	BAUMSL	49017460	●
65,00	90,00	10,00	B	metal	0,05	72 NBR 902	B1USL	20163	●
65,00	90,00	10,00	B	metal	0,02	72 NBR 902	B1FUD	334662	●
65,00	90,00	10,00	C	metal	0,02	72 NBR 902	B2FUD	334664	●
65,00	90,00	10,00	A	grooved	0,05	75 FKM 585	BAUMX7	403074	●
65,00	90,00	10,00	AS	grooved	0,05	75 FKM 585	BAUMSLX7	416246	●
65,00	90,00	10,00	B	metal	0,02	72 NBR 902	B1FUD	424794	○
65,00	90,00	10,00	B	metal	0,05	72 NBR 902	B1USL	436123	○
65,00	90,00	10,00	AS	smooth	0,05	72 NBR 902	BAUSLX2	524504	●
65,00	90,00	10,00	A	smooth	0,05	72 NBR 902	BAUX2	527119	●
65,00	90,00	10,00	B	metal	0,05	75 FKM 595	B1USL	533459	○
65,00	90,00	12,00	C	metal	0,02	72 NBR 902	B2FUD	334352	●
65,00	90,00	12,00	B	metal	0,02	72 NBR 902	B1FUD	334661	●

● Available from stock ○ On request: Tool is available, delivery at short notice * → Diagram 2, page 18

d ₁	d ₂	b	DIN 3761	Outer surface	Pressure	Material	Type	Article No.	
65,00	90,00	12,00	CS	metal	0,05	72 NBR 902	B2USL	34900	●
65,00	90,00	12,00	A	grooved	0,05	75 FKM 585	BAUMX7	389584	●
65,00	90,00	13,00	B	metal	0,05	72 NBR 902	B1USL	20109	●
65,00	90,00	13,00	B	metal	0,02	72 NBR 902	B1FUD	334660	●
65,00	90,00	13,00	C	metal	0,02	72 NBR 902	B2FUD	334663	●
65,00	90,00	13,00	B	metal	0,05	72 NBR 902	B1USL	523400	●
65,00	90,00	13,00	A	smooth	0,05	72 NBR 902	BA	9030	●
65,00	95,00	10,00	A	grooved	0,02	72 NBR 902	BAFUDX7	334849	●
65,00	95,00	10,00	A	grooved	0,05	75 FKM 585	BAUMX7	411733	●
65,00	95,00	13,00	C	metal	0,05	72 NBR 902	B2U	23166	●
65,00	100,00	10,00	B	metal	0,05	72 NBR 902	B1U	21164	●
65,00	100,00	10,00	C	metal	0,05	72 NBR 902	B2U	22783	●
65,00	100,00	10,00	A	grooved	0,05	75 FKM 585	BAUMX7	401003	●
65,00	100,00	10,00	AS	grooved	0,05	75 FKM 585	BAUMSLX7	410408	●
65,00	100,00	10,00	AS	grooved	0,05	72 NBR 902	BAUSLX7	451669	●
65,00	100,00	10,00	A	smooth	0,02	72 NBR 902	BAFUD	49001654	●
65,00	100,00	10,00	AS	smooth	0,05	72 NBR 902	BAUSLX2	49001671	●
65,00	100,00	10,00	–	smooth	0,05	72 NBR 902	MSS 7	522350	●
65,00	100,00	12,00	C	metal	0,05	72 NBR 902	B2	19775	●
65,00	100,00	12,00	AS	smooth	0,05	72 NBR 902	BAUSLX2	470433	●
65,00	100,00	12,00	AS	smooth	0,05	75 FKM 585	BAUMSL	470434	●
65,00	100,00	12,00	A	smooth	0,05	72 NBR 902	BA	9041	●
65,00	100,00	12,00	–	smooth	0,05	72 NBR 902	MSS 1	525394	●
65,00	100,00	12,00	–	smooth	0,05	75 FKM 585	MSS 1	525426	●
65,00	100,00	13,00	C	metal	0,05	72 NBR 902	B2U	23167	●
65,00	100,00	13,00	BS	metal	0,02	72 NBR 902	B1FUDSL	335119	●
65,00	110,00	10,00	AS	smooth	0,05	72 NBR 902	BAUSLX2	522256	●
65,00	120,00	10,00	A	grooved	0,05	72 NBR 902	BAUX27	450736	●
65,00	120,00	10,00	AS	grooved	0,05	72 NBR 902	BAUSLX27	450737	●
65,00	120,00	10,00	AS	smooth	0,05	75 FKM 585	BAUMSL	49011962	●
65,00	120,00	10,00	A	smooth	0,05	75 FKM 585	BAUM	49012129	●
65,00	120,00	10,00	AS	smooth	0,05	72 NBR 902	BAUSLX2	49037439	●
65,00	120,00	10,00	A	smooth	0,05	72 NBR 902	BAUX2	49037440	●
65,00	120,00	12,00	AS	smooth	0,05	75 FKM 585	BAUMSL	455633	●
65,00	120,00	12,00	AS	smooth	0,05	72 NBR 902	BAUSLX2	455634	●
65,00	120,00	12,00	–	smooth	0,05	72 NBR 902	MSS 1	525367	●
65,00	120,00	12,00	–	smooth	0,05	75 FKM 585	MSS 1	525370	●
65,00	140,00	12,00	AS	smooth	0,05	75 FKM 585	BAUMSL	455635	●
65,00	140,00	12,00	AS	smooth	0,05	72 NBR 902	BAUSLX2	455636	●
65,00	140,00	12,00	A	smooth	0,05	72 NBR 902	BAUX2	475367	●
65,00	140,00	12,00	–	smooth	0,05	72 NBR 902	MSS 1	525368	●
66,00	90,00	13,00	C	metal	0,05	72 NBR 902	B2	23171	●
67,00	80,00	10,00	B	metal	0,05	72 NBR 902	B1	21022	●
67,00	85,00	10,00	C	metal	0,02	72 NBR 902	B2FUD	334972	●
67,00	85,00	10,00	C	metal	0,05	72 NBR 902	B2U	415598	●
67,00	90,00	10,00	C	metal	0,05	72 NBR 902	B2	22784	●
67,00	90,00	10,00	A	smooth	0,05	72 NBR 902	BAUSL	464665	○
67,00	90,00	10,00	AS	grooved	0,05	75 FKM 585	BAUMSLX7	531790	●
67,00	90,00	13,00	C	metal	0,05	72 NBR 902	B2	23174	●
68,00	78,00	7,00	B	metal	0,05	72 NBR 902	B1	26008	●

● Available from stock ○ On request: Tool is available, delivery at short notice * → Diagram 2, page 18

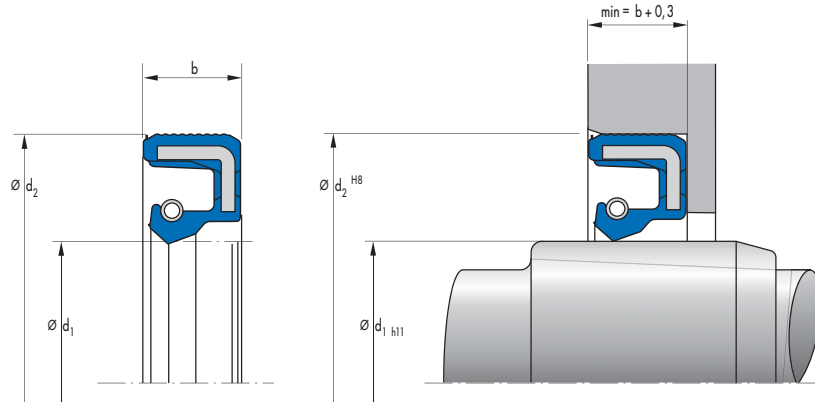


d ₁	d ₂	b	DIN 3761	Outer surface	Pressure	Material	Type	Article No.	
68,00	80,00	7,00	AS	smooth	*	72 NBR 902	BABSL	323546	○
68,00	85,00	10,00	B	metal	0,02	72 NBR 902	B1FUD	334403	●
68,00	85,00	10,00	A	grooved	0,02	72 NBR 902	BAFUDX7	411221	●
68,00	87,00	8,00	AS	smooth	0,02	72 NBR 902	BAFUDSL	12011197	●
68,00	88,00	5,50	A	metal	un-pressurised	80 NBR 177458	MSC 01	508547	●
68,00	88,00	5,50	A	metal	un-pressurised	80 FKM 177459	MSC 01	508591	●
68,00	90,00	10,00	AS	smooth	*	72 NBR 902	BABSL	12011532	●
68,00	90,00	10,00	C	metal	0,05	72 NBR 902	B2	23176	●
68,00	90,00	10,00	B	metal	0,05	72 NBR 902	B1U	23827	●
68,00	90,00	10,00	A	grooved	0,02	72 NBR 902	BAFUDX7	355406	●
68,00	90,00	10,00	CS	metal	0,05	72 NBR 902	B2SL	38056	●
68,00	90,00	10,00	A	grooved	0,05	75 FKM 585	BAUMX7	389793	●
68,00	90,00	10,00	AS	grooved	0,05	75 FKM 585	BAUMSLX7	407291	●
68,00	90,00	10,00	B	metal	0,05	72 NBR 902	B1USL	66622	●
68,00	90,00	10,00	A	smooth	0,05	72 NBR 902	BAUSL	9060	●
68,00	90,00	12,00	C	metal	0,05	72 NBR 902	B2U	23177	●
68,00	90,00	13,00	B	metal	0,05	72 NBR 902	B1U	19904	●
68,00	90,00	13,00	BS	metal	0,02	72 NBR 902	B1FUDSL	335120	●
68,00	95,00	13,00	C	metal	0,05	72 NBR 902	B2U	23178	●
68,00	100,00	10,00	C	metal	0,05	72 NBR 902	B2	23180	●
68,00	100,00	10,00	A	grooved	0,05	75 FKM 585	BAUMX7	411777	●
68,00	100,00	10,00	A	smooth	0,05	72 NBR 902	BA	9062	●
68,00	100,00	12,00	C	metal	0,05	72 NBR 902	B2U	23179	●
69,00	90,00	10,00	A	smooth	0,05	72 NBR 902	BAU	9066	●
69,85	104,75	14,20	AS	smooth	0,05	75 FKM 595	BAUMSL	429414	○
70,00	80,00	8,00	BS	metal	0,02	72 NBR 902	B1FUDSL	456301	●
70,00	85,00	7,00	A	grooved	0,02	72 NBR 902	BAFUDX7	355485	●
70,00	85,00	8,00	B	metal	0,02	72 NBR 902	B1FUD	334267	●
70,00	85,00	8,00	A	grooved	0,02	72 NBR 902	BAFUDX7	334851	●
70,00	85,00	8,00	BS	metal	0,02	72 NBR 902	B1FUDSL	346133	●
70,00	85,00	8,00	A	grooved	0,05	75 FKM 585	BAUMX7	407045	●
70,00	85,00	8,00	AS	smooth	0,05	72 NBR 902	BAUSLX2	524145	●
70,00	85,00	8,00	AS	grooved	0,05	75 FKM 585	BAUMSLX7	532958	●
70,00	88,00	6,50	AS	smooth	*	72 NBR 902	BABSL	355823	○
70,00	90,00	5,50	A	metal	un-pressurised	80 NBR 177458	MSC 01	508548	●
70,00	90,00	5,50	A	metal	un-pressurised	80 FKM 177459	MSC 01	508592	●

● Available from stock ○ On request: Tool is available, delivery at short notice * → Diagram 2, page 18

d ₁	d ₂	b	DIN 3761	Outer surface	Pressure	Material	Type	Article No.	
70,00	90,00	7,00	AS	smooth	*	72 NBR 902	BABSL	3059	●
70,00	90,00	7,00	AS	smooth	*	75 FKM 595	BABSL	49008932	●
70,00	90,00	10,00	B	metal	0,02	72 NBR 902	B1FUD	334647	●
70,00	90,00	10,00	C	metal	0,02	72 NBR 902	B2FUD	334651	●
70,00	90,00	10,00	A	grooved	0,02	72 NBR 902	BAFUDX7	355432	●
70,00	90,00	10,00	A	grooved	0,05	75 FKM 585	BAUMX7	376664	●
70,00	90,00	10,00	AS	grooved	0,05	72 NBR 902	BAUSLX7	376900	○
70,00	90,00	10,00	C	metal	up to 1 MPa	PTFE F56101	B2PT	406771	●
70,00	90,00	10,00	B	metal	0,05	72 NBR 902	B1USL	426882	○
70,00	90,00	10,00	AS	grooved	0,05	75 FKM 585	BAUMSLX7	520226	●
70,00	90,00	10,00	AS	smooth	0,05	72 NBR 902	BAUSLX2	524198	●
70,00	90,00	10,00	A	smooth	0,05	72 NBR 902	BAU	9095	●
70,00	90,00	12,00	B	metal	0,02	72 NBR 902	B1FUD	334649	●
70,00	90,00	12,00	C	metal	0,02	72 NBR 902	B2FUD	334650	●
70,00	90,00	12,00	A	grooved	0,05	75 FKM 585	BAUMX7	388870	●
70,00	90,00	12,00	AS	smooth	0,05	75 FKM 585	BAUMSL	455637	●
70,00	90,00	12,00	AS	smooth	0,05	72 NBR 902	BAUSLX2	455638	●
70,00	90,00	12,00	A	smooth	0,05	72 NBR 902	BAUX2	520465	●
70,00	90,00	12,00	-	smooth	0,05	72 NBR 902	MSS 1	525376	●
70,00	90,00	13,00	CS	metal	0,05	72 NBR 902	B2USL	23457	●
70,00	90,00	13,00	C	metal	0,02	72 NBR 902	B2FUD	334358	●
70,00	90,00	13,00	B	metal	0,02	72 NBR 902	B1FUD	334648	●
70,00	90,00	13,00	BS	metal	0,05	72 NBR 902	B1SL	7534	●
70,00	90,00	13,00	A	smooth	0,05	72 NBR 902	BAU	9101	●
70,00	90,00	13,00	A	smooth	0,05	72 NBR 902	BAUSL	9102	●
70,00	92,00	7,50	A	metal	un-pressurised	80 FKM 177459	MSC 02	508616	●
70,00	92,00	7,50	A	metal	un-pressurised	80 NBR 177458	MSC 02	508640	●
70,00	95,00	8,00	B	metal	0,02	72 NBR 902	B1FUD	310667	●
70,00	95,00	10,00	C	metal	0,05	72 NBR 902	B2U	22786	●
70,00	95,00	10,00	A	smooth	0,05	72 NBR 902	BAU	523551	○
70,00	95,00	10,00	A	smooth	0,05	72 NBR 902	BAU	9106	●
70,00	95,00	12,00	AS	grooved	0,05	75 FKM 585	BAUMSLX7	405449	●
70,00	95,00	13,00	B	metal	0,05	72 NBR 902	B1	19909	●
70,00	95,00	13,00	C	metal	0,05	72 NBR 902	B2U	23185	●
70,00	95,00	13,00	BS	metal	0,05	72 NBR 902	B1SL	49010593	●
70,00	95,00	13,00	A	smooth	0,05	72 NBR 902	BAU	9108	●
70,00	98,00	13,00	C	metal	0,05	72 NBR 902	B2	23186	●
70,00	100,00	6,00	A	smooth	0,05	72 NBR 902	BA	9110	●
70,00	100,00	10,00	A	grooved	0,02	72 NBR 902	BAFUDX7	334325	●
70,00	100,00	10,00	B	metal	0,02	72 NBR 902	B1FUD	334699	●
70,00	100,00	10,00	C	metal	0,02	72 NBR 902	B2FUD	334702	●
70,00	100,00	10,00	A	smooth	0,05	72 NBR 902	BAU	340877	○
70,00	100,00	10,00	A	grooved	0,05	75 FKM 585	BAUMX7	398035	●
70,00	100,00	10,00	C	metal	up to 1 MPa	PTFE F56101	B2PT	406829	●
70,00	100,00	10,00	AS	smooth	0,05	72 NBR 902	BAUSLX2	522359	●
70,00	100,00	10,00	A	smooth	0,05	72 NBR 902	BAU	523842	○
70,00	100,00	10,00	AS	grooved	0,05	75 FKM 585	BAUMSLX7	524105	●
70,00	100,00	12,00	C	metal	0,02	72 NBR 902	B2FUD	334338	●
70,00	100,00	12,00	A	smooth	0,02	72 NBR 902	BAFUD	523564	●
70,00	100,00	13,00	B	metal	0,02	72 NBR 902	B1FUD	334698	●

● Available from stock ○ On request: Tool is available, delivery at short notice * → Diagram 2, page 18

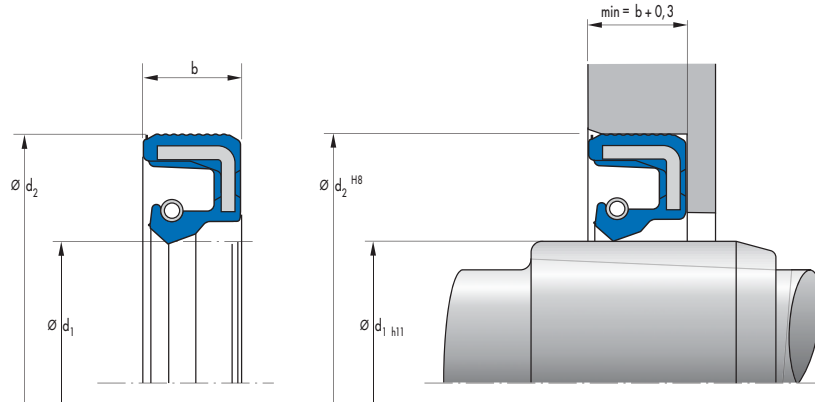


d ₁	d ₂	b	DIN 3761	Outer surface	Pressure	Material	Type	Article No.	
70,00	100,00	13,00	C	metal	0,02	72 NBR 902	B2FUD	334700	●
70,00	100,00	13,00	A	smooth	0,05	72 NBR 902	BAU	9122	●
70,00	105,00	13,00	C	metal	0,05	72 NBR 902	B2	23189	●
70,00	110,00	8,00	A	smooth	0,05	75 FKM 585	BAUM	49012067	●
70,00	110,00	8,00	A	smooth	0,05	72 NBR 902	BAUX2	49033018	●
70,00	110,00	8,00	A	smooth	0,05	72 NBR 902	BAU	9128	●
70,00	110,00	10,00	AS	grooved	0,05	72 NBR 902	BAUSLX7	377886	●
70,00	110,00	12,00	AS	smooth	0,05	75 FKM 585	BAUMSL	455639	●
70,00	110,00	12,00	AS	smooth	0,05	72 NBR 902	BAUSLX2	455641	●
70,00	110,00	12,00	-	smooth	0,05	72 NBR 902	MSS 1	525375	●
70,00	110,00	13,00	B	metal	0,05	72 NBR 902	B1U	19912	●
70,00	110,00	13,00	C	metal	0,05	72 NBR 902	B2	23190	●
70,00	110,00	13,00	AS	grooved	0,02	72 NBR 902	BAFUDSLX7	407536	●
70,00	110,00	13,00	A	smooth	0,05	72 NBR 902	BAU	9130	●
70,00	115,00	16,00	A	smooth	0,05	72 NBR 902	BA	306770	●
70,00	120,00	10,00	AS	grooved	0,02	72 NBR 902	BAFUDSLX7	452953	●
70,00	125,00	12,00	AS	smooth	0,05	72 NBR 902	BAUSLX2	49011092	●
70,00	125,00	12,00	A	smooth	0,05	72 NBR 902	BAUX2	49011093	●
70,00	130,00	10,00	AS	smooth	0,05	72 NBR 902	BAUSLX2	479457	●
70,00	130,00	10,00	A	smooth	0,05	72 NBR 902	BAUX2	479458	●
70,00	130,00	10,00	AS	smooth	0,05	75 FKM 585	BAUMSL	49011951	●
70,00	130,00	10,00	A	smooth	0,05	75 FKM 585	BAUM	49012128	●
70,00	130,00	10,00	-	smooth	0,05	72 NBR 902	MSS 7	522285	●
70,00	130,00	12,00	AS	smooth	0,05	72 NBR 902	BAUSLX2	477908	●
72,00	84,00	7,00	B	metal	0,05	72 NBR 902	B1	23821	●
72,00	84,00	7,00	A	grooved	0,05	75 FKM 585	BAUMX7	410718	●
72,00	84,00	18,00	B	metal	0,02	72 NBR 902	B1FUD	408294	●
72,00	90,00	10,00	C	metal	0,05	72 NBR 902	B2U	22788	●
72,00	90,00	10,00	A	smooth	0,05	75 FKM 595	BAUM	418071	○
72,00	90,00	10,00	A	smooth	0,05	72 NBR 902	BAUX2	49025290	●
72,00	90,00	10,00	A	smooth	0,05	72 NBR 902	BA	9137	●
72,00	90,00	13,00	C	metal	0,05	72 NBR 902	B2U	22789	●
72,00	92,00	5,50	A	metal	un-pressurised	80 NBR 177458	MSC 01	508549	●
72,00	92,00	5,50	A	metal	un-pressurised	80 FKM 177459	MSC 01	508593	●
72,00	95,00	10,00	B	metal	0,05	72 NBR 902	B1U	10761	●
72,00	95,00	10,00	C	metal	0,05	72 NBR 902	B2U	23192	●

● Available from stock ○ On request: Tool is available, delivery at short notice * → Diagram 2, page 18

d ₁	d ₂	b	DIN 3761	Outer surface	Pressure	Material	Type	Article No.	
72,00	95,00	10,00	A	grooved	0,02	72 NBR 902	BAFUDX7	366669	●
72,00	95,00	10,00	A	grooved	0,05	75 FKM 585	BAUMX7	411780	●
72,00	95,00	10,00	AS	grooved	0,02	72 NBR 902	BAFUDSLX7	437162	●
72,00	95,00	12,00	C	metal	0,05	72 NBR 902	B2U	2634	●
72,00	95,00	12,00	AS	smooth	0,05	72 NBR 902	BAUSLX2	470366	●
72,00	95,00	12,00	AS	smooth	0,05	75 FKM 585	BAUMSL	470367	●
72,00	95,00	12,00	–	smooth	0,05	72 NBR 902	MSS 1	525386	●
72,00	95,00	12,00	–	smooth	0,05	75 FKM 585	MSS 1	525423	●
72,00	95,00	13,00	B	metal	0,05	72 NBR 902	B1U	19914	●
72,00	95,00	13,00	C	metal	0,05	75 FKM 595	B2	322085	○
72,00	95,00	13,00	BS	metal	0,05	72 NBR 902	B1SL	3513	●
72,00	95,00	13,00	C	metal	0,05	72 NBR 902	B2U	4774	●
72,00	100,00	10,00	B	metal	0,05	72 NBR 902	B1	19915	●
72,00	100,00	10,00	C	metal	0,05	72 NBR 902	B2U	23194	●
72,00	100,00	10,00	A	grooved	0,05	75 FKM 585	BAUMX7	401034	●
72,00	100,00	10,00	C	metal	up to 1 MPa	PTFE F56101	B2PT	406831	●
72,00	100,00	10,00	AS	grooved	0,05	75 FKM 585	BAUMSLX7	407289	●
72,00	100,00	10,00	A	smooth	0,05	72 NBR 902	BAU	523565	○
72,00	100,00	10,00	A	smooth	0,05	72 NBR 902	BAU	9142	●
72,00	100,00	12,00	C	metal	0,05	72 NBR 902	B2	16196	●
72,00	100,00	12,00	A	grooved	0,02	72 NBR 902	BAFUDX7	520460	●
72,00	100,00	13,00	C	metal	0,05	72 NBR 902	B2	23195	●
72,00	105,00	13,00	B	metal	0,05	72 NBR 902	B1USL	153821	●
72,00	105,00	13,00	C	metal	0,05	72 NBR 902	B2	23196	●
72,00	110,00	13,00	C	metal	0,05	72 NBR 902	B2	23197	●
72,00	130,00	12,00	AS	smooth	0,05	72 NBR 902	BAUSLX2	523524	●
72,00	140,00	12,00	AS	smooth	0,05	72 NBR 902	BAUSLX2	470349	●
72,00	140,00	12,00	AS	smooth	0,05	75 FKM 585	BAUMSL	470351	●
72,00	140,00	12,00	–	smooth	0,05	72 NBR 902	MSS 1	525403	●
72,00	140,00	12,00	–	smooth	0,05	75 FKM 585	MSS 1	525432	●
73,00	95,00	10,00	C	metal	0,05	72 NBR 902	B2U	22790	●
73,00	100,00	13,00	C	metal	0,05	72 NBR 902	B2	23198	●
73,03	95,25	12,70	BS	metal	0,02	72 NBR 902	B1FUDSL	402902	○
74,00	90,00	10,00	C	metal	0,05	72 NBR 902	B2U	22792	●
74,00	90,00	10,00	A	smooth	0,05	72 NBR 902	BA	9149	●
74,00	95,00	10,00	C	metal	0,05	72 NBR 902	B2U	22793	●
74,00	95,00	10,00	A	grooved	0,02	72 NBR 902	BAFUDX7	334852	●
74,00	100,00	13,00	C	metal	0,05	72 NBR 902	B2	23200	●
75,00	90,00	8,00	A	smooth	0,05	72 NBR 902	BAUX2	49024277	●
75,00	90,00	8,00	A	grooved	0,05	75 FKM 585	BAUMX7	520865	●
75,00	90,00	8,00	A	smooth	0,05	72 NBR 902	BAU	9157	●
75,00	90,00	10,00	AS	smooth	*	72 NBR 902	BABSL	12001716	●
75,00	90,00	10,00	A	grooved	0,05	75 FKM 585	BAUMX7	435005	●
75,00	90,00	10,00	AS	grooved	0,05	75 FKM 585	BAUMSLX7	468762	●
75,00	90,00	12,00	C	metal	0,05	72 NBR 902	B2U	22795	●
75,00	90,00	15,00	A	smooth	0,05	72 NBR 902	BADUO	9162	○
75,00	95,00	5,50	A	metal	un-pressurised	80 NBR 177458	MSC 01	508550	●
75,00	95,00	5,50	A	metal	un-pressurised	80 FKM 177459	MSC 01	508594	●
75,00	95,00	7,00	AS	smooth	*	72 NBR 902	BABSL	122853	●
75,00	95,00	7,00	AS	smooth	*	75 FKM 595	BABSL	354069	●

● Available from stock ○ On request: Tool is available, delivery at short notice * → Diagram 2, page 18

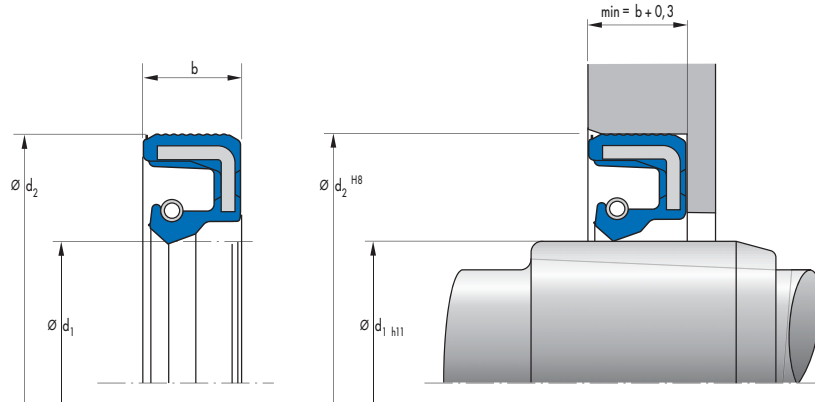


d ₁	d ₂	b	DIN 3761	Outer surface	Pressure	Material	Type	Article No.	
75,00	95,00	9,00	AS	smooth	0,02	72 NBR 902	BAFUDSL	417887	●
75,00	95,00	9,00	AS	smooth	0,05	72 NBR 902	BASL	61875	●
75,00	95,00	10,00	AS	smooth	0,02	72 NBR 902	BAFUDSL	12011201	●
75,00	95,00	10,00	BS	metal	0,02	72 NBR 902	B1FUDSL	334382	●
75,00	95,00	10,00	C	metal	0,02	72 NBR 902	B2FUD	334596	●
75,00	95,00	10,00	B	metal	0,02	72 NBR 902	B1FUD	334598	●
75,00	95,00	10,00	AS	smooth	*	75 FKM 595	BABSL	372629	●
75,00	95,00	10,00	A	grooved	0,05	75 FKM 585	BAUMX7	402396	●
75,00	95,00	10,00	C	metal	up to 1 MPa	PTFE F56101	B2PT	406832	●
75,00	95,00	10,00	A	smooth	0,05	72 NBR 902	BAUX2	49017472	●
75,00	95,00	10,00	AS	grooved	0,05	75 FKM 585	BAUMSLX7	521009	●
75,00	95,00	12,00	B	metal	0,05	72 NBR 902	B1USL	150288	●
75,00	95,00	12,00	C	metal	0,02	72 NBR 902	B2FUD	334595	●
75,00	95,00	12,00	A	grooved	0,05	75 FKM 585	BAUMX7	389609	●
75,00	95,00	12,00	AS	smooth	0,05	72 NBR 902	BAUSLX2	524699	●
75,00	95,00	12,00	A	smooth	0,05	72 NBR 902	BAU	9172	●
75,00	95,00	13,00	C	metal	0,05	72 NBR 902	B2	22839	●
75,00	95,00	13,00	B	metal	0,02	72 NBR 902	B1FUD	334597	●
75,00	97,00	7,50	A	metal	un-pressurised	80 FKM 177459	MSC 02	508617	●
75,00	97,00	7,50	A	metal	un-pressurised	80 NBR 177458	MSC 02	508641	●
75,00	100,00	10,00	C	metal	0,02	72 NBR 902	B2FUD	334331	●
75,00	100,00	10,00	B	metal	0,02	72 NBR 902	B1FUD	334539	●
75,00	100,00	10,00	A	grooved	0,05	75 FKM 585	BAUMX7	398031	●
75,00	100,00	10,00	AS	grooved	0,05	75 FKM 585	BAUMSLX7	407279	●
75,00	100,00	10,00	AS	smooth	0,05	72 NBR 902	BAUSLX2	524653	●
75,00	100,00	10,00	A	smooth	0,05	72 NBR 902	BAUX2	525285	●
75,00	100,00	10,00	C	metal	up to 1 MPa	PTFE F56101	B2PT	526214	●
75,00	100,00	10,00	C	metal	up to 1 MPa	PTFE F56101	B2PT	529452	○
75,00	100,00	11,00	AS	smooth	*	72 NBR 902	BABSL	477396	●
75,00	100,00	11,00	AS	smooth	*	75 FKM 595	BABSL	523594	●
75,00	100,00	12,00	AS	grooved	0,02	72 NBR 902	BAFUDSLX7	334855	●
75,00	100,00	12,00	B	metal	0,02	72 NBR 902	B1FUD	334934	●
75,00	100,00	12,00	C	metal	0,02	72 NBR 902	B2FUD	334973	●
75,00	100,00	12,00	A	grooved	0,05	75 FKM 585	BAUMX7	389296	●
75,00	100,00	13,00	C	metal	0,05	72 NBR 902	B2	23529	●
75,00	100,00	13,00	BS	metal	0,02	72 NBR 902	B1FUDSL	334405	●

● Available from stock ○ On request: Tool is available, delivery at short notice * → Diagram 2, page 18

d ₁	d ₂	b	DIN 3761	Outer surface	Pressure	Material	Type	Article No.	
75,00	100,00	13,00	CS	metal	0,02	72 NBR 902	B2FUDSL	334974	●
75,00	100,00	13,00	A	smooth	0,05	72 NBR 902	BAU	9189	●
75,00	105,00	12,00	A	smooth	0,02	72 NBR 902	BAFUD	12011023	●
75,00	105,00	13,00	B	metal	0,05	72 NBR 902	B1	19924	●
75,00	105,00	13,00	C	metal	0,05	72 NBR 902	B2U	23207	●
75,00	110,00	12,00	A	smooth	0,02	72 NBR 902	BAFUD	12011024	●
75,00	110,00	13,00	AS	smooth	0,02	72 NBR 902	BAFUDSL	12000542	●
75,00	110,00	13,00	B	metal	0,05	72 NBR 902	B1U	19925	●
75,00	110,00	13,00	C	metal	0,05	72 NBR 902	B2U	23208	●
75,00	115,00	12,00	AS	smooth	0,05	72 NBR 902	BAUSLX2	475360	●
75,00	115,00	12,00	AS	grooved	0,05	75 FKM 585	BAUMSLX7	477664	●
75,00	115,00	13,00	C	metal	0,02	72 NBR 902	B2FUD	335192	●
75,00	120,00	12,00	A	grooved	0,05	72 NBR 902	BAUX27	450738	●
75,00	120,00	12,00	AS	grooved	0,05	72 NBR 902	BAUSLX27	451194	●
75,00	120,00	12,00	AS	smooth	0,05	75 FKM 585	BAUMSL	49012063	●
75,00	120,00	12,00	A	smooth	0,05	75 FKM 585	BAUM	49013714	●
75,00	125,00	12,00	AS	smooth	0,05	75 FKM 595	BAUMSL	474897	○
75,00	130,00	10,00	AS	smooth	0,05	72 NBR 902	BAUSLX2	477279	●
75,00	130,00	12,00	AS	smooth	0,05	75 FKM 585	BAUMSL	455642	●
75,00	130,00	12,00	AS	smooth	0,05	72 NBR 902	BAUSLX2	455643	●
75,00	130,00	12,00	–	smooth	0,05	72 NBR 902	MSS 1	525377	●
76,00	95,00	10,00	B	metal	0,05	72 NBR 902	B1	19927	●
76,00	100,00	10,00	A	smooth	0,05	72 NBR 902	BAU	9198	●
76,00	100,00	13,00	C	metal	0,05	72 NBR 902	B2	23210	●
76,00	110,00	13,00	C	metal	0,05	72 NBR 902	B2	23212	●
76,20	101,60	11,90	C	metal	0,05	72 NBR 902	B2U	23213	●
77,00	95,00	10,00	C	metal	0,05	72 NBR 902	B2U	22797	●
77,00	100,00	10,00	C	metal	0,05	72 NBR 902	B2U	22798	●
78,00	95,00	13,00	C	metal	0,05	72 NBR 902	B2	22799	●
78,00	98,00	5,50	A	metal	un-pressurised	80 NBR 177458	MSC 01	508551	●
78,00	98,00	5,50	A	metal	un-pressurised	80 FKM 177459	MSC 01	508595	●
78,00	100,00	10,00	C	metal	0,05	72 NBR 902	B2	22800	●
78,00	100,00	10,00	B	metal	0,05	72 NBR 902	B1	31819	●
78,00	100,00	10,00	A	grooved	0,05	75 FKM 585	BAUMX7	401025	●
78,00	100,00	10,00	A	smooth	0,05	72 NBR 902	BAU	9204	●
78,00	100,00	12,00	C	metal	0,05	72 NBR 902	B2	23214	●
78,00	100,00	13,00	BS	metal	0,05	72 NBR 902	B1SL	20173	●
78,00	105,00	13,00	C	metal	0,05	72 NBR 902	B2	23215	●
78,00	110,00	13,00	C	metal	0,05	72 NBR 902	B2	23216	●
80,00	90,00	5,00	A	smooth	un-pressurised	72 NBR 902	BAOF	389266	●
80,00	95,00	5,00	A	smooth	un-pressurised	72 NBR 902	BAOF	349011	●
80,00	95,00	10,00	C	metal	0,05	72 NBR 902	B2U	106305	●
80,00	100,00	5,50	A	metal	un-pressurised	80 NBR 177458	MSC 01	508552	●
80,00	100,00	5,50	A	metal	un-pressurised	80 FKM 177459	MSC 01	508597	●
80,00	100,00	7,00	AS	smooth	*	75 FKM 595	BABSL	390171	●
80,00	100,00	7,00	AS	smooth	*	72 NBR 902	BABSL	49001653	●
80,00	100,00	7,50	B	metal	0,05	72 NBR 902	B1USL	37041	○
80,00	100,00	10,00	C	metal	0,02	72 NBR 902	B2FUD	334355	●
80,00	100,00	10,00	B	metal	0,02	72 NBR 902	B1FUD	334406	●
80,00	100,00	10,00	A	grooved	0,05	75 FKM 585	BAUMX7	398029	●

● Available from stock ○ On request: Tool is available, delivery at short notice * → Diagram 2, page 18

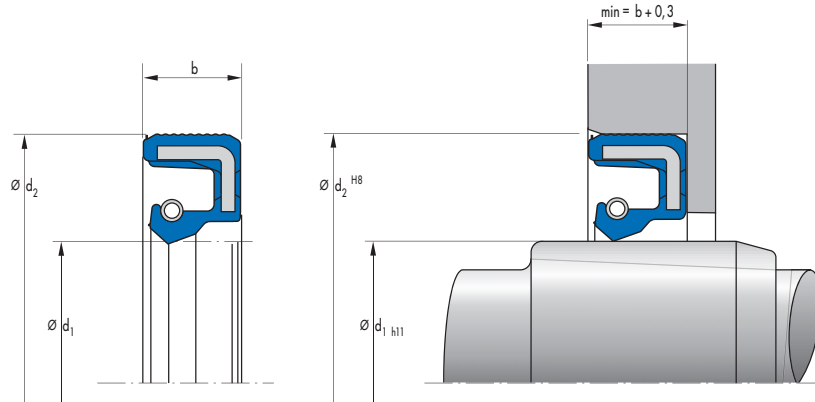


d ₁	d ₂	b	DIN 3761	Outer surface	Pressure	Material	Type	Article No.	
80,00	100,00	10,00	C	metal	up to 1 MPa	PTFE F56101	B2PT	406772	●
80,00	100,00	10,00	BS	metal	0,02	72 NBR 902	B1FUDSL	429457	●
80,00	100,00	10,00	AS	grooved	0,05	75 FKM 585	BAUMSLX7	468978	●
80,00	100,00	10,00	AS	smooth	0,05	72 NBR 902	BAUSLX2	524139	●
80,00	100,00	10,00	A	smooth	0,02	72 NBR 902	BAFUD	532626	●
80,00	100,00	10,00	A	smooth	0,05	72 NBR 902	BAU	9216	○
80,00	100,00	12,00	B	metal	0,05	72 NBR 902	B1USL	331073	●
80,00	100,00	12,00	C	metal	0,02	72 NBR 902	B2FUD	334362	●
80,00	100,00	12,00	CS	metal	0,05	72 NBR 902	B2USL	34903	●
80,00	100,00	12,00	A	grooved	0,05	75 FKM 585	BAUMX7	388823	●
80,00	100,00	12,00	AS	smooth	0,05	72 NBR 902	BAUSLX2	470439	●
80,00	100,00	12,00	AS	smooth	0,05	75 FKM 585	BAUMSL	470440	●
80,00	100,00	12,00	-	smooth	0,05	72 NBR 902	MSS 1	525395	●
80,00	100,00	12,00	-	smooth	0,05	75 FKM 585	MSS 1	525427	●
80,00	100,00	13,00	AS	smooth	0,02	72 NBR 902	BAFUDSL	12011204	●
80,00	100,00	13,00	C	metal	0,02	72 NBR 902	B2FUD	334359	●
80,00	100,00	13,00	B	metal	0,02	72 NBR 902	B1FUD	335147	●
80,00	100,00	13,00	BS	metal	0,02	72 NBR 902	B1FUDSL	335189	●
80,00	100,00	13,00	CS	metal	0,02	72 NBR 902	B2FUDSL	335999	●
80,00	100,00	13,00	A	smooth	0,05	72 NBR 902	BAU	9221	●
80,00	102,00	7,50	A	metal	un-pressurised	80 FKM 177459	MSC 02	508618	●
80,00	102,00	7,50	A	metal	un-pressurised	80 NBR 177458	MSC 02	508642	●
80,00	105,00	7,50	AS	smooth	*	75 FKM 595	BABSL	418858	●
80,00	105,00	13,00	B	metal	0,05	72 NBR 902	B1USL	20176	●
80,00	105,00	13,00	A	grooved	0,02	72 NBR 902	BAFUDX7	334326	●
80,00	105,00	13,00	B	metal	0,02	72 NBR 902	B1FUD	355629	●
80,00	105,00	13,00	C	metal	0,02	72 NBR 902	B2FUD	356384	●
80,00	105,00	13,00	A	smooth	0,05	72 NBR 902	BAU	523566	○
80,00	105,00	15,00	B	metal	0,05	72 NBR 902	B1U	331070	●
80,00	110,00	8,00	A	smooth	0,05	72 NBR 902	BAUX2	524780	●
80,00	110,00	10,00	B	metal	0,05	72 NBR 902	B1	19932	●
80,00	110,00	10,00	A	grooved	0,05	75 FKM 585	BAUMX7	397823	●
80,00	110,00	10,00	C	metal	up to 1 MPa	PTFE F56101	B2PT	406833	●
80,00	110,00	10,00	AS	grooved	0,05	75 FKM 585	BAUMSLX7	427699	●
80,00	110,00	10,00	A	smooth	0,05	72 NBR 902	BAUX2	49033031	●
80,00	110,00	10,00	AS	smooth	*	72 NBR 902	BABSL	49043290	●

● Available from stock ○ On request: Tool is available, delivery at short notice * → Diagram 2, page 18

d ₁	d ₂	b	DIN 3761	Outer surface	Pressure	Material	Type	Article No.	
80,00	110,00	10,00	AS	smooth	0,05	72 NBR 902	BAUSLX2	524503	●
80,00	110,00	12,00	C	metal	0,05	72 NBR 902	B2U	11434	●
80,00	110,00	12,00	A	smooth	0,02	72 NBR 902	BAFUD	12011030	●
80,00	110,00	13,00	A	smooth	0,02	72 NBR 902	BAFUD	12011031	●
80,00	110,00	13,00	B	metal	0,05	72 NBR 902	B1U	19933	●
80,00	110,00	13,00	C	metal	0,05	72 NBR 902	B2U	23223	●
80,00	110,00	13,00	BS	metal	0,05	72 NBR 902	B1SL	409545	●
80,00	115,00	10,00	A	smooth	0,05	72 NBR 902	BA	9234	●
80,00	115,00	13,00	B	metal	0,05	72 NBR 902	B1U	19935	●
80,00	120,00	13,00	A	smooth	0,02	72 NBR 902	BAFUD	12011033	●
80,00	120,00	13,00	C	metal	0,05	72 NBR 902	B2	23224	●
80,00	125,00	10,00	–	smooth	0,05	72 NBR 902	MSS 7	522349	●
80,00	125,00	12,00	AS	smooth	0,05	72 NBR 902	BAUSLX2	470441	●
80,00	125,00	12,00	AS	smooth	0,05	75 FKM 585	BAUMSL	470442	●
80,00	125,00	12,00	AS	smooth	*	72 NBR 902	BABSL	49043291	●
80,00	125,00	12,00	–	smooth	0,05	72 NBR 902	MSS 1	525402	●
80,00	125,00	13,00	C	metal	0,05	72 NBR 902	B2U	23225	●
80,00	125,00	13,00	A	grooved	0,05	72 NBR 902	BAUX27	453163	●
80,00	140,00	13,00	AS	grooved	0,05	72 NBR 902	BAUSLX27	453165	●
80,00	140,00	13,00	A	grooved	0,05	72 NBR 902	BAUX27	453166	●
80,00	140,00	13,00	AS	grooved	0,05	75 FKM 585	BAUMSLX7	477666	●
80,00	140,00	13,00	A	grooved	0,05	75 FKM 585	BAUMX7	49012109	●
80,00	140,00	13,00	A	smooth	0,05	72 NBR 902	BAUX2	49037441	●
80,00	140,00	13,00	AS	smooth	0,05	72 NBR 902	BAUSLX2	49037452	●
80,00	150,00	12,00	–	smooth	0,05	72 NBR 902	MSS 7	522286	●
80,00	150,00	15,00	AS	smooth	0,05	72 NBR 902	BAUSLX2	520449	●
80,00	150,00	15,00	AS	smooth	0,05	75 FKM 585	BAUMSL	520739	●
80,00	170,00	13,00	AS	smooth	0,05	72 NBR 902	BAUSLX2	434902	●
80,00	170,00	13,00	AS	smooth	0,05	75 FKM 585	BAUMSL	439857	●
81,00	100,00	10,00	C	metal	0,05	72 NBR 902	B2	22803	●
81,00	100,00	13,00	C	metal	0,05	72 NBR 902	B2	22804	●
82,00	100,00	10,00	A	grooved	0,05	75 FKM 585	BAUMX7	460327	●
82,00	105,00	10,00	AS	smooth	0,05	72 NBR 902	BAUSLX2	529148	●
82,00	105,00	10,00	AS	smooth	0,05	72 NBR 902	BASL	9242	●
82,00	105,00	12,00	A	smooth	0,05	72 NBR 902	BAU	9244	●
82,00	105,00	13,00	C	metal	0,05	72 NBR 902	B2U	23227	●
82,00	110,00	13,00	C	metal	0,05	72 NBR 902	B2	23228	●
82,00	120,00	13,00	AS	smooth	0,05	72 NBR 902	BAUSLX2	470376	●
82,00	120,00	13,00	AS	smooth	0,05	75 FKM 585	BAUMSL	470378	●
82,00	120,00	13,00	–	smooth	0,05	72 NBR 902	MSS 1	525401	●
82,00	160,00	13,00	AS	smooth	0,05	72 NBR 902	BAUSLX2	470381	●
82,00	160,00	13,00	AS	smooth	0,05	75 FKM 585	BAUMSL	470382	●
82,00	160,00	13,00	–	smooth	0,05	72 NBR 902	MSS 1	525407	●
82,00	160,00	13,00	–	smooth	0,05	75 FKM 585	MSS 1	525437	○
82,55	114,30	13,00	C	metal	0,05	72 NBR 902	B2U	20656	○
84,00	105,00	13,00	C	metal	0,05	72 NBR 902	B2U	23231	●
84,00	110,00	12,00	C	metal	0,05	72 NBR 902	B2	23232	●
84,14	114,30	11,90	C	metal	0,02	72 NBR 902	B2FUD	338367	○
85,00	100,00	7,00	B	metal	0,05	72 NBR 902	B1USL	61841	●
85,00	100,00	8,00	AS	grooved	0,05	75 FKM 585	BAUMSLX7	520227	●

● Available from stock ○ On request: Tool is available, delivery at short notice * → Diagram 2, page 18

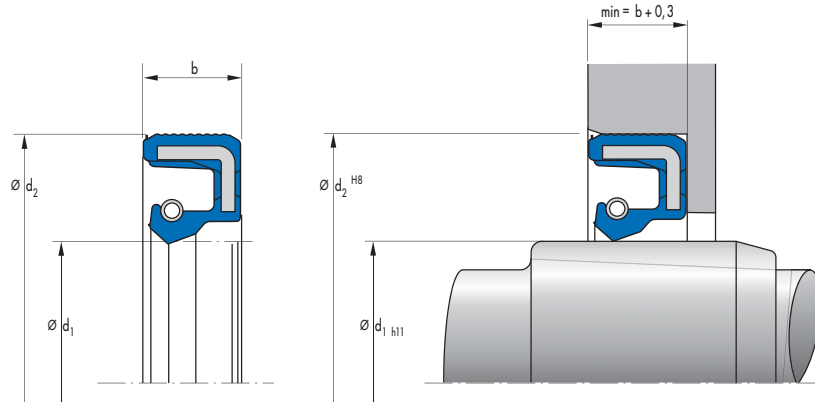


d ₁	d ₂	b	DIN 3761	Outer surface	Pressure	Material	Type	Article No.	
85,00	100,00	9,00	A	smooth	0,05	72 NBR 902	BA	24569	●
85,00	100,00	9,00	B	metal	0,02	72 NBR 902	B1FUD	334407	●
85,00	100,00	9,00	AS	grooved	0,05	72 NBR 902	BAUSLX27	533028	●
85,00	100,00	12,00	BS	metal	0,02	72 NBR 902	B1FUDSL	532637	●
85,00	100,00	13,00	C	metal	0,05	72 NBR 902	B2U	22805	●
85,00	105,00	5,50	A	metal	un-pressurised	80 NBR 177458	MSC 01	508553	●
85,00	105,00	5,50	A	metal	un-pressurised	80 FKM 177459	MSC 01	508598	●
85,00	105,00	7,00	AS	grooved	0,05	75 FKM 585	BAUMSLX7	522850	●
85,00	105,00	7,50	AS	smooth	*	72 NBR 902	BABSL	63228	●
85,00	105,00	10,00	B	metal	0,02	72 NBR 902	B1FUD	532636	●
85,00	105,00	12,00	AS	grooved	0,05	75 FKM 585	BAUMSLX7	404329	●
85,00	105,00	12,00	A	grooved	0,05	75 FKM 585	BAUMX7	526104	●
85,00	105,00	13,00	B	metal	0,05	72 NBR 902	B1U	19938	●
85,00	105,00	13,00	C	metal	0,05	72 NBR 902	B2U	23234	●
85,00	105,00	13,00	A	grooved	0,02	72 NBR 902	BAFUDX7	335194	●
85,00	105,00	13,00	A	smooth	0,05	72 NBR 902	BAU	354468	○
85,00	105,00	13,00	A	smooth	0,05	75 FKM 595	BAUM	4061	○
85,00	105,00	13,00	CS	metal	0,05	72 NBR 902	B2SL	9687	●
85,00	107,00	7,50	A	metal	un-pressurised	80 FKM 177459	MSC 02	508619	●
85,00	107,00	7,50	A	metal	un-pressurised	80 NBR 177458	MSC 02	508643	●
85,00	110,00	8,00	AS	smooth	*	72 NBR 902	BABSL	523616	●
85,00	110,00	8,00	AS	smooth	*	75 FKM 595	BABSL	529504	●
85,00	110,00	10,00	C	metal	up to 1 MPa	PTFE F56101	B2PT	406834	●
85,00	110,00	10,00	A	grooved	0,05	75 FKM 585	BAUMX7	476119	●
85,00	110,00	10,00	C	metal	up to 1 MPa	PTFE F56101	B2PT	529453	○
85,00	110,00	12,00	B	metal	0,02	72 NBR 902	B1FUD	334935	●
85,00	110,00	12,00	A	grooved	0,05	75 FKM 585	BAUMX7	388841	●
85,00	110,00	12,00	AS	smooth	0,05	75 FKM 585	BAUMSL	455644	●
85,00	110,00	12,00	AS	smooth	0,05	72 NBR 902	BAUSLX2	455645	●
85,00	110,00	12,00	A	smooth	0,05	72 NBR 902	BAUX2	526074	●
85,00	110,00	12,00	-	smooth	0,05	72 NBR 902	MSS 1	525387	●
85,00	110,00	13,00	B	metal	0,05	72 NBR 902	B1	19942	●
85,00	110,00	13,00	CS	metal	0,02	72 NBR 902	B2FUDSL	334365	●
85,00	110,00	13,00	C	metal	0,02	72 NBR 902	B2FUD	334975	●
85,00	110,00	13,00	A	grooved	0,02	72 NBR 902	BAFUDX7	335159	●
85,00	110,00	13,00	BS	metal	0,02	72 NBR 902	B1FUDSL	381637	●

● Available from stock ○ On request: Tool is available, delivery at short notice * → Diagram 2, page 18

d ₁	d ₂	b	DIN 3761	Outer surface	Pressure	Material	Type	Article No.	
85,00	110,00	15,00	C	metal	0,02	72 NBR 902	B2FUD	334976	●
85,00	115,00	13,00	A	smooth	0,02	72 NBR 902	BAFUD	12011037	●
85,00	115,00	13,00	C	metal	0,05	72 NBR 902	B2U	23236	●
85,00	120,00	8,00	AS	smooth	*	72 NBR 902	BABSL	143355	●
85,00	120,00	8,00	AS	smooth	*	75 FKM 595	BABSL	418860	●
85,00	120,00	12,00	A	smooth	0,05	72 NBR 902	BA	14070	●
85,00	120,00	12,00	B	metal	0,05	72 NBR 902	B1	2755	●
85,00	120,00	12,00	A	grooved	0,05	75 FKM 585	BAUMX7	388807	●
85,00	120,00	12,00	B	metal	0,05	72 NBR 902	B1	432607	○
85,00	120,00	13,00	C	metal	0,05	72 NBR 902	B2U	23237	●
85,00	120,00	15,00	C	metal	0,05	72 NBR 902	B2	2515	●
85,00	125,00	10,00	AS	smooth	0,05	72 NBR 902	BAUSLX2	522358	●
85,00	125,00	13,00	C	metal	0,05	72 NBR 902	B2U	23505	●
85,00	130,00	10,00	AS	grooved	0,05	75 FKM 585	BAUMSLX7	477667	●
85,00	130,00	10,00	AS	grooved	0,05	72 NBR 902	BAUSLX27	49002843	●
85,00	130,00	10,00	A	smooth	0,05	72 NBR 902	BAUX2	49005998	●
85,00	130,00	10,00	A	grooved	0,05	75 FKM 585	BAUMX7	49012126	●
85,00	130,00	12,00	A	smooth	0,05	72 NBR 902	BAU	394923	●
85,00	130,00	13,00	C	metal	0,05	72 NBR 902	B2U	23238	●
85,00	140,00	12,00	A	grooved	0,02	72 NBR 902	BAUX7	369435	●
85,00	140,00	12,00	AS	grooved	0,05	72 NBR 902	BAUSLX7	369448	●
85,00	140,00	12,00	AS	smooth	0,05	75 FKM 585	BAUMSL	455647	●
85,00	140,00	12,00	AS	smooth	0,05	72 NBR 902	BAUSLX2	455648	●
85,00	140,00	12,00	-	smooth	0,05	72 NBR 902	MSS 1	525385	●
85,00	140,00	12,00	-	smooth	0,05	75 FKM 585	MSS 1	525390	●
85,00	150,00	12,00	AS	smooth	0,05	72 NBR 902	BAUSLX2	477583	●
85,00	150,00	12,00	A	smooth	0,05	72 NBR 902	BAUX2	49006054	●
85,00	150,00	12,00	AS	grooved	0,05	75 FKM 585	BAUMSLX7	520105	●
86,00	105,00	13,00	A	smooth	0,05	72 NBR 902	BA	9273	●
86,00	110,00	13,00	C	metal	0,05	72 NBR 902	B2	23240	○
86,00	110,00	13,00	A	smooth	0,05	72 NBR 902	BA	9275	●
87,00	110,00	13,00	C	metal	0,05	72 NBR 902	B2U	23242	●
88,00	110,00	10,00	A	smooth	0,05	72 NBR 902	BA	9279	●
88,00	110,00	13,00	A	smooth	0,05	75 FKM 595	BAUM	142385	○
88,00	110,00	13,00	B	metal	0,05	72 NBR 902	B1USL	20178	●
88,00	110,00	13,00	C	metal	0,05	72 NBR 902	B2U	23243	●
88,00	110,00	13,00	B	metal	0,05	72 NBR 902	B1U	436119	○
88,00	120,00	13,00	C	metal	0,05	72 NBR 902	B2U	23244	●
88,00	160,00	13,00	AS	smooth	0,05	72 NBR 902	BAUSLX2	475363	●
88,00	160,00	13,00	AS	grooved	0,05	75 FKM 585	BAUMSLX7	477611	●
89,00	110,00	13,00	C	metal	0,05	72 NBR 902	B2	23246	●
90,00	95,00	3,00	B	metal	un-pressurised	72 NBR 902	B1FOF	363577	○
90,00	110,00	5,50	A	metal	un-pressurised	80 NBR 177458	MSC 01	508554	●
90,00	110,00	5,50	A	metal	un-pressurised	80 FKM 177459	MSC 01	508599	●
90,00	110,00	7,50	AS	smooth	*	72 NBR 902	BABSL	307006	●
90,00	110,00	7,50	AS	smooth	*	75 FKM 595	BABSL	360218	●
90,00	110,00	7,50	AS	smooth	*	72 NBR 902	BABSL	49035762	●
90,00	110,00	8,00	C	metal	0,05	72 NBR 902	B2	22809	●
90,00	110,00	8,00	A	grooved	0,02	72 NBR 902	BAFUDX7	338992	●
90,00	110,00	8,00	B	metal	0,02	72 NBR 902	B1FUD	355633	●

● Available from stock ○ On request: Tool is available, delivery at short notice * → Diagram 2, page 18

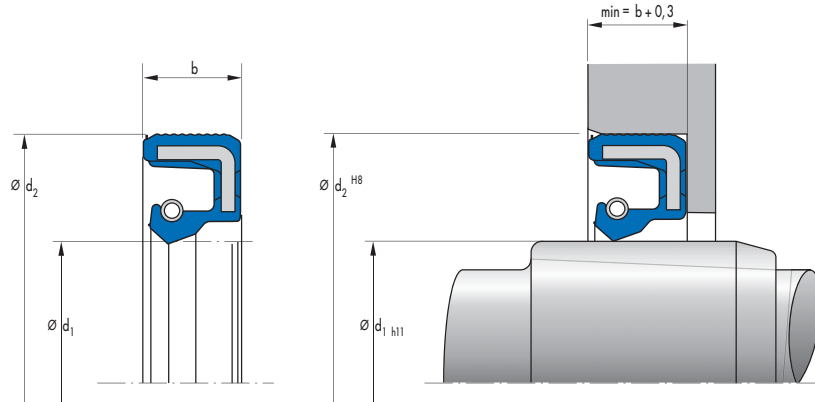


d ₁	d ₂	b	DIN 3761	Outer surface	Pressure	Material	Type	Article No.	
90,00	110,00	10,00	A	smooth	0,05	72 NBR 902	BAU	327928	●
90,00	110,00	10,00	C	metal	up to 1 MPa	PTFE F56101	B2PT	406773	●
90,00	110,00	10,00	A	smooth	0,05	72 NBR 902	BAUSL	452252	●
90,00	110,00	12,00	AS	smooth	*	72 NBR 902	BABSL	12011534	●
90,00	110,00	12,00	B	metal	0,02	72 NBR 902	B1FUD	334373	●
90,00	110,00	12,00	A	grooved	0,02	72 NBR 902	BAFUDX7	334762	●
90,00	110,00	12,00	A	smooth	0,05	72 NBR 902	BAUSL	371060	●
90,00	110,00	12,00	A	grooved	0,05	75 FKM 585	BAUMX7	388824	●
90,00	110,00	12,00	AS	grooved	0,05	75 FKM 585	BAUMSLX7	521010	●
90,00	110,00	13,00	CS	metal	0,05	72 NBR 902	B2USL	23467	●
90,00	110,00	13,00	BS	metal	0,05	72 NBR 902	B1SL	31470	●
90,00	110,00	13,00	C	metal	0,02	72 NBR 902	B2FUD	334348	●
90,00	110,00	13,00	B	metal	0,02	72 NBR 902	B1FUD	334671	●
90,00	110,00	13,00	AS	smooth	0,05	72 NBR 902	BAUSLX2	49011512	●
90,00	110,00	13,00	A	smooth	0,05	72 NBR 902	BAU	9287	●
90,00	110,00	15,00	C	metal	0,05	72 NBR 902	B2U	11436	●
90,00	112,00	7,50	A	metal	un-pressurised	80 FKM 177459	MSC 02	508620	●
90,00	112,00	7,50	A	metal	un-pressurised	80 NBR 177458	MSC 02	508644	●
90,00	112,71	13,00	C	metal	0,02	72 NBR 902	B2FUD	334349	●
90,00	115,00	9,00	C	metal	0,05	72 NBR 902	B2	22810	●
90,00	115,00	10,00	AS	smooth	*	75 FKM 595	BABSL	418863	●
90,00	115,00	12,00	A	smooth	0,05	72 NBR 902	BAU	313552	●
90,00	115,00	12,00	AS	grooved	0,05	75 FKM 585	BAUMSLX7	428612	●
90,00	115,00	13,00	BS	metal	0,02	72 NBR 902	B1FUDSL	335123	●
90,00	115,00	13,00	B	metal	0,02	72 NBR 902	B1FUD	335190	●
90,00	120,00	10,00	AS	smooth	*	72 NBR 902	BABSL	455768	●
90,00	120,00	12,00	B	metal	0,02	72 NBR 902	B1FUD	334694	●
90,00	120,00	12,00	A	grooved	0,02	72 NBR 902	BAFUDX7	335160	●
90,00	120,00	12,00	A	grooved	0,05	75 FKM 585	BAUMX7	389300	●
90,00	120,00	12,00	AS	grooved	0,05	75 FKM 585	BAUMSLX7	420404	●
90,00	120,00	13,00	B	metal	0,02	72 NBR 902	B1FUD	334408	●
90,00	120,00	13,00	C	metal	0,02	72 NBR 902	B2FUD	334695	●
90,00	120,00	13,00	CS	metal	0,02	72 NBR 902	B2FUDSL	335191	●
90,00	120,00	13,00	AS	grooved	0,02	72 NBR 902	BAFUDSLX7	339432	●
90,00	120,00	13,00	A	smooth	0,05	72 NBR 902	BAU	9294	●
90,00	120,00	15,00	C	metal	0,02	72 NBR 902	B2FUD	334339	●

● Available from stock ○ On request: Tool is available, delivery at short notice * → Diagram 2, page 18

d ₁	d ₂	b	DIN 3761	Outer surface	Pressure	Material	Type	Article No.	
90,00	125,00	12,00	AS	smooth	*	72 NBR 902	BABSL	12001720	○
90,00	125,00	13,00	C	metal	0,05	72 NBR 902	B2	23250	●
90,00	130,00	12,00	AS	grooved	0,05	75 FKM 585	BAUMSLX7	420402	●
90,00	130,00	13,00	B	metal	0,05	72 NBR 902	B1	19951	●
90,00	130,00	13,00	C	metal	0,05	72 NBR 902	B2	23251	●
90,00	130,00	13,00	B	metal	0,05	72 NBR 902	B1USL	89770	●
90,00	130,00	13,00	A	smooth	0,05	72 NBR 902	BA	9301	●
90,00	140,00	13,00	C	metal	0,05	72 NBR 902	B2	23252	●
90,00	140,00	13,00	A	smooth	0,05	72 NBR 902	BA	28763	●
90,00	140,00	13,00	A	smooth	0,05	72 NBR 902	BAUX2	49037535	●
90,00	140,00	13,00	AS	smooth	0,05	72 NBR 902	BAUSLX2	522420	●
92,00	120,00	12,00	A	smooth	0,05	72 NBR 902	BA	9303	●
92,00	120,00	13,00	C	metal	0,05	72 NBR 902	B2	23253	●
93,00	110,00	13,00	C	metal	0,05	72 NBR 902	B2U	22811	●
94,00	120,00	13,00	C	metal	0,05	72 NBR 902	B2	23258	●
95,00	110,00	7,00	B	metal	0,05	72 NBR 902	B1USL	37097	○
95,00	110,00	9,00	B	metal	0,05	72 NBR 902	B1	19557	●
95,00	115,00	5,50	A	metal	un-pressurised	80 NBR 177458	MSC 01	508555	●
95,00	115,00	5,50	A	metal	un-pressurised	80 FKM 177459	MSC 01	508600	●
95,00	115,00	13,00	B	metal	0,05	72 NBR 902	B1USL	20181	●
95,00	115,00	13,00	B	metal	0,02	72 NBR 902	B1FUD	334936	●
95,00	115,00	13,00	C	metal	0,02	72 NBR 902	B2FUD	334978	●
95,00	115,00	13,00	AS	smooth	0,05	72 NBR 902	BASL	346567	○
95,00	115,00	13,00	A	grooved	0,05	75 FKM 585	BAUMX7	389615	●
95,00	115,00	13,00	AS	smooth	0,05	72 NBR 902	BAUSLX2	524194	●
95,00	117,00	7,50	A	metal	un-pressurised	80 FKM 177459	MSC 02	508621	●
95,00	117,00	7,50	A	metal	un-pressurised	80 NBR 177458	MSC 02	508645	●
95,00	120,00	12,00	AS	smooth	0,02	72 NBR 902	BAFUDSL	12011207	●
95,00	120,00	12,00	AS	smooth	*	72 NBR 902	BABSL	2315	●
95,00	120,00	12,00	B	metal	0,02	72 NBR 902	B1FUD	334653	●
95,00	120,00	12,00	A	grooved	0,02	72 NBR 902	BAFUDX7	355407	●
95,00	120,00	12,00	AS	smooth	*	75 FKM 595	BABSL	378129	●
95,00	120,00	12,00	A	grooved	0,05	75 FKM 585	BAUMX7	388845	●
95,00	120,00	12,00	C	metal	up to 1 MPa	PTFE F56101	B2PT	406835	●
95,00	120,00	12,00	AS	smooth	*	72 NBR 902	BABSL	477399	○
95,00	120,00	12,00	A	smooth	0,05	72 NBR 902	BAUX2	49035730	●
95,00	120,00	12,00	AS	grooved	0,05	75 FKM 585	BAUMSLX7	521011	●
95,00	120,00	12,00	A	smooth	0,05	72 NBR 902	BAUX2	529408	○
95,00	120,00	13,00	BS	metal	0,05	72 NBR 902	B1SL	20182	●
95,00	120,00	13,00	CS	metal	0,05	72 NBR 902	B2USL	330834	●
95,00	120,00	13,00	C	metal	0,02	72 NBR 902	B2FUD	334360	●
95,00	120,00	13,00	B	metal	0,02	72 NBR 902	B1FUD	334652	●
95,00	120,00	13,00	C	metal	0,05	75 FKM 595	B2U	49004121	○
95,00	120,00	13,00	A	smooth	0,05	72 NBR 902	BA	9310	●
95,00	120,00	15,00	C	metal	0,02	72 NBR 902	B2FUD	334654	●
95,00	125,00	12,00	B	metal	0,05	72 NBR 902	B1	19635	●
95,00	125,00	12,00	AS	grooved	0,02	72 NBR 902	BAFUDSLX7	335174	●
95,00	125,00	12,00	A	smooth	0,05	72 NBR 902	BA	3450	●
95,00	125,00	12,00	A	grooved	0,05	75 FKM 585	BAUMX7	403102	●
95,00	125,00	12,00	AS	grooved	0,05	75 FKM 585	BAUMSLX7	436020	●

● Available from stock ○ On request: Tool is available, delivery at short notice * → Diagram 2, page 18

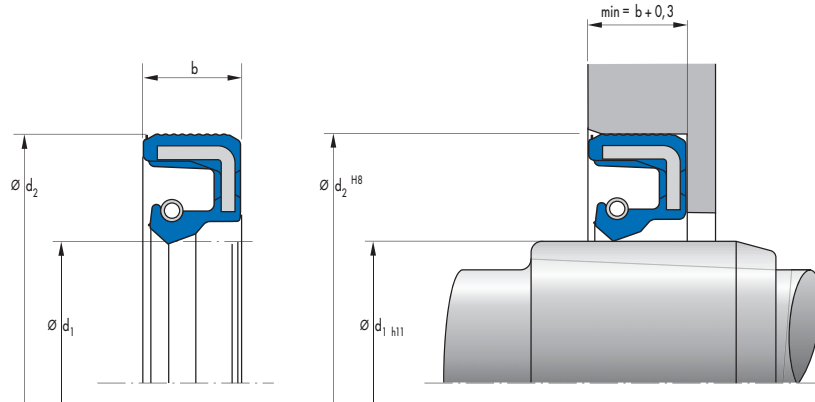


d_1	d_2	b	DIN 3761	Outer surface	Pressure	Material	Type	Article No.	
95,00	125,00	13,00	B	metal	0,05	72 NBR 902	B1U	19954	●
95,00	125,00	13,00	C	metal	0,05	72 NBR 902	B2U	23262	●
95,00	125,00	13,00	AS	smooth	0,05	75 FKM 585	BAUMSL	455649	●
95,00	125,00	13,00	AS	smooth	0,05	72 NBR 902	BAUSLX2	455650	●
95,00	125,00	13,00	A	smooth	0,05	72 NBR 902	BAUX2	49037536	●
95,00	125,00	13,00	-	smooth	0,05	72 NBR 902	MSS 1	525397	●
95,00	125,00	15,00	C	metal	0,05	72 NBR 902	B2	2521	●
95,00	130,00	13,00	C	metal	0,05	72 NBR 902	B2U	23263	●
95,00	145,00	12,00	-	smooth	0,05	72 NBR 902	MSS 7	522348	●
95,00	145,00	13,00	AS	grooved	0,05	72 NBR 902	BAUSLX27	451051	●
95,00	145,00	13,00	A	grooved	0,05	72 NBR 902	BAUX27	451052	●
95,00	145,00	13,00	AS	smooth	0,05	72 NBR 902	BAUSLX2	470443	●
95,00	145,00	13,00	AS	smooth	0,05	75 FKM 585	BAUMSL	470444	●
95,00	145,00	13,00	A	smooth	0,05	75 FKM 585	BAUM	49012060	●
95,00	145,00	13,00	-	smooth	0,05	72 NBR 902	MSS 1	525405	●
95,00	145,00	13,00	-	smooth	0,05	75 FKM 585	MSS 1	525434	○
95,00	170,00	13,00	AS	smooth	0,05	75 FKM 585	BAUMSL	455652	●
95,00	170,00	13,00	AS	smooth	0,05	72 NBR 902	BAUSLX2	455653	○
95,00	170,00	13,00	-	smooth	0,05	72 NBR 902	MSS 1	525396	○
96,00	125,00	13,00	C	metal	0,05	72 NBR 902	B2U	23265	●
97,00	120,00	13,00	C	metal	0,05	72 NBR 902	B2	23266	●
98,00	120,00	13,00	C	metal	0,05	72 NBR 902	B2	23269	●
98,00	125,00	12,00	AS	smooth	0,05	72 NBR 902	BASL	18962	●
98,00	125,00	12,00	A	smooth	0,05	72 NBR 902	BA	9319	●
98,00	125,00	13,00	A	smooth	0,05	75 FKM 595	BAUM	142387	○
98,00	125,00	13,00	C	metal	0,05	72 NBR 902	B2	23270	●
98,00	128,00	10,00	C	metal	0,05	72 NBR 902	B2	23271	●
98,00	130,00	13,00	C	metal	0,05	72 NBR 902	B2	23272	●
100,00	115,00	9,00	B	metal	0,02	72 NBR 902	B1FUD	358896	●
100,00	115,00	9,00	AS	grooved	0,05	75 FKM 595	BAUMSLX7	412884	○
100,00	120,00	5,50	A	metal	un-pressurised	80 NBR 177458	MSC 01	508556	●
100,00	120,00	5,50	A	metal	un-pressurised	80 FKM 177459	MSC 01	508601	●
100,00	120,00	7,50	AS	smooth	*	75 FKM 595	BABSL	315389	●
100,00	120,00	7,50	AS	smooth	*	72 NBR 902	BABSL	63432	●
100,00	120,00	8,00	B	metal	0,02	72 NBR 902	B1FUD	355472	●
100,00	120,00	8,00	B	metal	0,05	72 NBR 902	B1U	49038233	●

● Available from stock ○ On request: Tool is available, delivery at short notice * → Diagram 2, page 18

d ₁	d ₂	b	DIN 3761	Outer surface	Pressure	Material	Type	Article No.	
100,00	120,00	10,00	B	metal	0,02	72 NBR 902	B1FUD	334659	●
100,00	120,00	10,00	A	smooth	0,05	72 NBR 902	BAUX2	9323	●
100,00	120,00	12,00	C	metal	0,05	75 FKM 595	B2U	2205	○
100,00	120,00	12,00	C	metal	0,05	72 NBR 902	B2U	307035	●
100,00	120,00	12,00	AS	grooved	0,02	72 NBR 902	BAFUDSLX7	334231	●
100,00	120,00	12,00	B	metal	0,02	72 NBR 902	B1FUD	334409	●
100,00	120,00	12,00	A	grooved	0,02	72 NBR 902	BAFUDX7	335175	●
100,00	120,00	12,00	AS	grooved	0,05	75 FKM 595	BAUMSLX7	350248	○
100,00	120,00	12,00	A	grooved	0,05	75 FKM 585	BAUMX7	389309	●
100,00	120,00	12,00	C	metal	up to 1 MPa	PTFE F56101	B2PT	406774	●
100,00	120,00	12,00	AS	grooved	0,05	75 FKM 585	BAUMSLX7	411235	●
100,00	120,00	12,00	A	smooth	0,05	72 NBR 902	BAU	9327	○
100,00	120,00	13,00	C	metal	0,02	72 NBR 902	B2FUD	334350	●
100,00	120,00	15,00	C	metal	0,05	72 NBR 902	B2U	9547	●
100,00	122,00	7,50	A	metal	un-pressurised	80 FKM 177459	MSC 02	508622	●
100,00	122,00	7,50	A	metal	un-pressurised	80 NBR 177458	MSC 02	508646	●
100,00	125,00	12,00	B	metal	0,02	72 NBR 902	B1FUD	335981	●
100,00	125,00	12,00	A	grooved	0,02	72 NBR 902	BAFUDX7	355481	●
100,00	125,00	12,00	A	grooved	0,05	75 FKM 585	BAUMX7	389690	●
100,00	125,00	12,00	AS	grooved	0,05	75 FKM 585	BAUMSLX7	521012	●
100,00	125,00	13,00	B	metal	0,05	72 NBR 902	B1USL	117707	●
100,00	125,00	13,00	CS	metal	0,05	72 NBR 902	B2SL	150733	●
100,00	125,00	13,00	AS	grooved	0,02	72 NBR 902	BAFUDSLX7	334856	●
100,00	125,00	13,00	C	metal	0,02	72 NBR 902	B2FUD	335193	●
100,00	125,00	13,00	B	metal	0,02	72 NBR 902	B1FUD	335982	●
100,00	125,00	13,00	AS	smooth	*	72 NBR 902	BABSL	420803	●
100,00	125,00	13,00	A	smooth	0,05	72 NBR 902	BA	9338	●
100,00	125,00	15,00	C	metal	0,02	72 NBR 902	B2FUD	335984	●
100,00	130,00	10,00	A	smooth	0,05	72 NBR 902	BA	9341	●
100,00	130,00	12,00	B	metal	0,02	72 NBR 902	B1FUD	335165	●
100,00	130,00	12,00	A	grooved	0,02	72 NBR 902	BAFUDX7	369826	●
100,00	130,00	12,00	A	grooved	0,05	75 FKM 585	BAUMX7	389698	●
100,00	130,00	12,00	C	metal	up to 1 MPa	PTFE F56101	B2PT	406837	●
100,00	130,00	12,00	AS	grooved	0,05	75 FKM 585	BAUMSLX7	49000979	●
100,00	130,00	12,00	AS	smooth	0,05	72 NBR 902	BAUSLX2	526078	●
100,00	130,00	12,00	A	smooth	0,05	72 NBR 902	BA	8079	●
100,00	130,00	13,00	BS	metal	0,05	72 NBR 902	B1SL	20183	●
100,00	130,00	13,00	CS	metal	0,05	72 NBR 902	B2USL	23470	●
100,00	130,00	13,00	AS	smooth	0,05	75 FKM 585	BAUMSL	310982	○
100,00	130,00	13,00	C	metal	0,02	72 NBR 902	B2FUD	335169	●
100,00	130,00	13,00	B	metal	0,02	72 NBR 902	B1FUD	335983	●
100,00	130,00	13,00	AS	smooth	0,05	72 NBR 902	BAUSLX2	478549	●
100,00	130,00	15,00	C	metal	0,02	72 NBR 902	B2FUD	335985	●
100,00	135,00	13,00	A	smooth	0,05	72 NBR 902	BAU	340026	●
100,00	140,00	13,00	C	metal	0,05	72 NBR 902	B2U	23278	●
100,00	145,00	12,00	AS	smooth	0,05	72 NBR 902	BAUSLX2	522357	●
100,00	150,00	12,00	A	smooth	0,05	72 NBR 902	BA	9345	●
100,00	160,00	14,00	AS	grooved	0,05	72 NBR 902	BAUSLX27	451670	●
100,00	160,00	14,00	A	grooved	0,05	72 NBR 902	BAUX27	453167	●
100,00	160,00	14,00	AS	smooth	0,05	75 FKM 585	BAUMSL	49012061	●

● Available from stock ○ On request: Tool is available, delivery at short notice * → Diagram 2, page 18

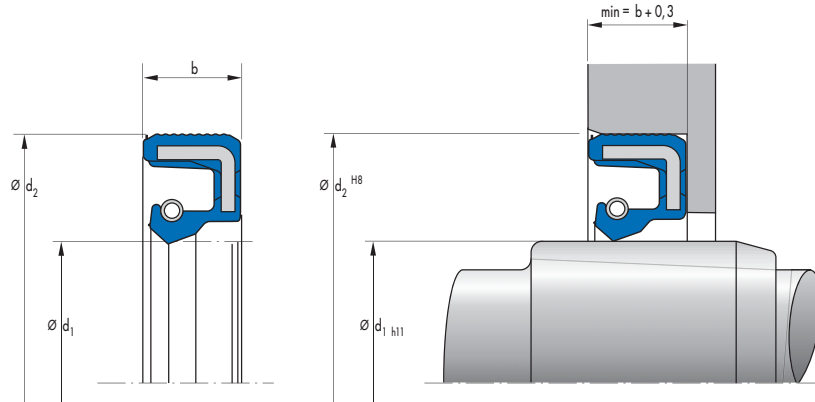


d ₁	d ₂	b	DIN 3761	Outer surface	Pressure	Material	Type	Article No.	
100,00	160,00	14,00	A	smooth	0,05	75 FKM 585	BAUM	49012062	●
100,00	180,00	12,00	A	grooved	0,05	72 NBR 902	BAUX27	450739	●
100,00	180,00	12,00	AS	grooved	0,05	72 NBR 902	BAUSLX27	450740	●
100,00	180,00	12,00	A	smooth	0,05	75 FKM 585	BAUM	49012124	●
100,00	180,00	12,00	AS	smooth	0,05	72 NBR 902	BAUSLX2	49037437	●
100,00	180,00	12,00	A	smooth	0,05	72 NBR 902	BAUX2	49037438	●
100,00	190,00	12,00	-	smooth	0,05	72 NBR 902	MSS 7	522305	●
100,00	190,00	15,00	AS	smooth	0,05	72 NBR 902	BAUSLX2	520451	●
100,00	190,00	15,00	AS	grooved	0,05	75 FKM 585	BAUSLX7	520740	●
102,00	130,00	13,00	C	metal	0,05	72 NBR 902	B2U	23281	●
103,00	125,00	13,00	C	metal	0,05	72 NBR 902	B2U	23283	●
104,00	125,00	10,00	A	smooth	0,05	72 NBR 902	BA	9355	●
104,00	130,00	13,00	C	metal	0,05	72 NBR 902	B2	23285	●
105,00	120,00	8,00	B	metal	0,05	72 NBR 902	B1USL	302505	●
105,00	120,00	8,00	B	metal	0,05	72 NBR 902	B1USL	37138	○
105,00	120,00	8,00	B	metal	0,05	75 FKM 585	B1USL	405290	○
105,00	125,00	5,50	A	metal	un-pressurised	80 NBR 177458	MSC 01	508557	●
105,00	125,00	5,50	A	metal	un-pressurised	80 FKM 177459	MSC 01	508602	●
105,00	125,00	12,00	B	metal	0,05	72 NBR 902	B1U	19964	●
105,00	125,00	13,00	C	metal	0,05	72 NBR 902	B2U	22815	●
105,00	130,00	7,50	AS	smooth	*	72 NBR 902	BABSL	27134	●
105,00	130,00	7,50	AS	smooth	*	75 FKM 595	BABSL	377412	●
105,00	130,00	7,50	AS	smooth	*	75 FKM 595	BABSL	471702	○
105,00	130,00	7,50	AS	smooth	*	72 NBR 902	BABSL	49031450	●
105,00	130,00	8,00	AS	smooth	0,05	72 NBR 902	BAUSLX2	524146	●
105,00	130,00	12,00	B	metal	0,05	72 NBR 902	B1U	19965	●
105,00	130,00	12,00	AS	grooved	0,02	72 NBR 902	BAFUDSLX7	335177	●
105,00	130,00	12,00	A	grooved	0,05	75 FKM 585	BAUMX7	389699	●
105,00	130,00	12,00	C	metal	up to 1 MPa	PTFE F56101	B2PT	406839	●
105,00	130,00	12,00	AS	grooved	0,05	75 FKM 585	BAUSLX7	411280	●
105,00	130,00	12,00	A	smooth	0,05	72 NBR 902	BAU	9361	●
105,00	130,00	13,00	BS	metal	0,05	72 NBR 902	B1SL	20184	●
105,00	130,00	13,00	C	metal	0,05	72 NBR 902	B2U	23286	●
105,00	130,00	13,00	B	metal	0,05	75 FKM 595	B1U	337463	○
105,00	130,00	15,00	C	metal	0,05	72 NBR 902	B2U	11439	●
105,00	135,00	13,00	C	metal	0,05	72 NBR 902	B2	365337	●

● Available from stock ○ On request: Tool is available, delivery at short notice * → Diagram 2, page 18

d ₁	d ₂	b	DIN 3761	Outer surface	Pressure	Material	Type	Article No.	
105,00	135,00	13,00	B	metal	0,05	75 FKM 585	B1	439794	○
105,00	140,00	12,00	B	metal	0,05	72 NBR 902	B1U	19624	●
105,00	140,00	12,00	A	smooth	0,05	72 NBR 902	BA	2771	●
105,00	140,00	12,00	A	grooved	0,05	75 FKM 585	BAUMX7	411268	●
105,00	140,00	12,00	AS	smooth	0,05	72 NBR 902	BAUSLX2	524505	●
105,00	140,00	13,00	B	metal	0,05	72 NBR 902	B1	19966	●
105,00	140,00	13,00	C	metal	0,05	72 NBR 902	B2U	23288	●
105,00	140,00	13,00	CS	metal	0,05	72 NBR 902	B2USL	38081	●
105,00	140,00	15,00	C	metal	0,05	72 NBR 902	B2	19633	●
105,00	145,00	15,00	B	metal	0,05	72 NBR 902	B1	19967	●
105,00	150,00	15,00	C	metal	0,05	72 NBR 902	B2	23289	●
105,00	160,00	12,00	AS	smooth	0,05	72 NBR 902	BAUSLX2	475362	●
105,00	160,00	12,00	AS	grooved	0,05	75 FKM 585	BAUMSLX7	477615	●
105,00	190,00	12,00	AS	smooth	0,05	72 NBR 902	BAUSLX2	522306	●
106,00	130,00	13,00	C	metal	0,05	72 NBR 902	B2	23290	●
107,00	130,00	13,00	C	metal	0,05	72 NBR 902	B2	23291	●
107,00	140,00	13,00	C	metal	0,05	72 NBR 902	B2U	23292	●
108,00	130,00	13,00	C	metal	0,05	72 NBR 902	B2	23293	●
108,00	140,00	13,00	C	metal	0,05	72 NBR 902	B2U	23294	●
108,00	140,00	15,00	AS	smooth	0,05	72 NBR 902	BAUSLX2	470435	●
108,00	140,00	15,00	AS	smooth	0,05	75 FKM 585	BAUMSL	470436	●
108,00	170,00	15,00	AS	smooth	0,05	72 NBR 902	BAUSLX2	470383	●
108,00	170,00	15,00	AS	smooth	0,05	75 FKM 585	BAUMSL	470384	●
108,00	170,00	15,00	-	smooth	0,05	72 NBR 902	MSS 1	525409	●
110,00	125,00	7,00	AS	smooth	*	75 FKM 595	BABSL	473522	●
110,00	128,00	9,00	B	metal	0,05	72 NBR 902	B1	13810	●
110,00	128,00	9,00	B	metal	0,05	72 NBR 902	B1USL	33356	●
110,00	128,00	9,00	C	metal	0,05	72 NBR 902	B2	7792	●
110,00	128,00	12,00	A	grooved	0,05	75 FKM 585	BAUMX7	436018	●
110,00	130,00	8,00	AS	grooved	0,05	72 NBR 902	BAUSLX7	49033417	○
110,00	130,00	8,00	AS	grooved	0,05	75 FKM 585	BAUMSLX7	520228	●
110,00	130,00	10,00	B	metal	0,02	72 NBR 902	B1FUD	358659	●
110,00	130,00	12,00	AS	smooth	*	72 NBR 902	BABSL	12011535	●
110,00	130,00	12,00	A	smooth	0,05	72 NBR 902	BAUSL	126037	●
110,00	130,00	12,00	C	metal	0,05	75 FKM 595	B2U	2218	○
110,00	130,00	12,00	B	metal	0,02	72 NBR 902	B1FUD	341238	●
110,00	130,00	12,00	B	metal	0,05	72 NBR 902	B1USL	344990	●
110,00	130,00	12,00	A	grooved	0,02	72 NBR 902	BAFUDX7	355424	●
110,00	130,00	12,00	A	grooved	0,05	75 FKM 585	BAUMX7	376665	●
110,00	130,00	12,00	C	metal	up to 1 MPa	PTFE F56101	B2PT	406775	●
110,00	130,00	12,00	AS	grooved	0,05	75 FKM 585	BAUMSLX7	407283	●
110,00	130,00	12,00	C	metal	0,05	72 NBR 902	B2U	418208	●
110,00	130,00	12,00	AS	smooth	*	75 FKM 595	BABSL	529507	●
110,00	130,00	13,00	C	metal	0,02	72 NBR 902	B2FUD	341230	●
110,00	130,00	13,00	B	metal	0,02	72 NBR 902	B1FUD	341237	●
110,00	130,00	13,00	BS	metal	0,02	72 NBR 902	B1FUDSL	355470	●
110,00	130,00	15,00	C	metal	0,02	72 NBR 902	B2FUD	341239	●
110,00	140,00	12,00	A	smooth	0,05	72 NBR 902	BAU	14103	●
110,00	140,00	12,00	B	metal	0,02	72 NBR 902	B1FUD	335163	●
110,00	140,00	12,00	A	grooved	0,05	75 FKM 585	BAUMX7	389454	●

● Available from stock ○ On request: Tool is available, delivery at short notice * → Diagram 2, page 18

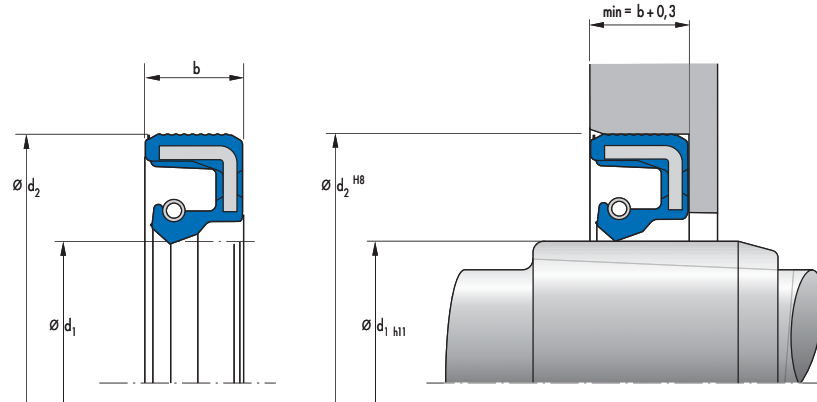


d ₁	d ₂	b	DIN 3761	Outer surface	Pressure	Material	Type	Article No.	
110,00	140,00	12,00	C	metal	up to 1 MPa	PTFE F56101	B2PT	406840	●
110,00	140,00	12,00	AS	smooth	*	75 FKM 595	BABSL	49005104	○
110,00	140,00	12,00	AS	grooved	0,05	75 FKM 585	BAUMSLX7	521013	●
110,00	140,00	12,00	AS	smooth	0,05	72 NBR 902	BASL	9373	●
110,00	140,00	13,00	CS	metal	0,02	72 NBR 902	B2FUDSL	335171	●
110,00	140,00	13,00	C	metal	0,02	72 NBR 902	B2FUD	345079	●
110,00	140,00	13,00	AS	smooth	*	72 NBR 902	BABSL	420804	●
110,00	140,00	13,00	A	smooth	0,05	72 NBR 902	BAUSL	9380	●
110,00	140,00	13,00	A	smooth	0,05	72 NBR 902	BA	9381	●
110,00	140,00	15,00	C	metal	0,02	72 NBR 902	B2FUD	335988	●
110,00	145,00	15,00	B	metal	0,05	72 NBR 902	B1U	19971	●
110,00	150,00	8,00	AS	smooth	*	72 NBR 902	BABSL	929	●
110,00	150,00	12,00	A	grooved	0,02	72 NBR 902	BAFUDX7	474182	●
110,00	150,00	13,00	C	metal	0,02	72 NBR 902	B2FUD	364342	●
110,00	150,00	15,00	C	metal	0,02	72 NBR 902	B2FUD	366328	●
110,00	150,00	15,00	B	metal	0,02	72 NBR 902	B1FUD	533588	●
110,00	150,00	18,00	A	smooth	0,05	72 NBR 902	BADUO	9389	○
110,00	170,00	12,00	-	smooth	0,05	72 NBR 902	MSS 7	522347	●
110,00	170,00	15,00	AS	smooth	0,05	72 NBR 902	BAUSLX2	520450	●
110,00	170,00	15,00	AS	smooth	0,05	75 FKM 585	BAUMSL	520741	●
110,00	200,00	13,00	AS	grooved	0,05	72 NBR 902	BAUSLX27	451053	●
110,00	200,00	13,00	A	grooved	0,05	72 NBR 902	BAUX27	451054	●
110,00	200,00	13,00	AS	smooth	0,05	75 FKM 585	BAUMSL	49012065	●
110,00	215,00	12,00	-	smooth	0,05	72 NBR 902	MSS 7	522308	●
110,00	215,00	15,00	AS	smooth	0,05	72 NBR 902	BAUSLX2	520453	●
110,00	215,00	15,00	AS	smooth	0,05	75 FKM 585	BAUMSL	520742	●
112,00	130,00	12,00	B	metal	0,05	72 NBR 902	B1	19562	●
112,00	130,00	12,00	A	grooved	0,05	75 FKM 585	BAUMX7	520866	●
112,00	140,00	13,00	BS	metal	0,05	72 NBR 902	B1SL	20116	●
112,00	140,00	13,00	C	metal	0,05	72 NBR 902	B2	23299	●
112,00	140,00	13,00	A	smooth	0,05	72 NBR 902	BAU	9395	●
112,00	150,00	15,00	C	metal	0,05	72 NBR 902	B2	23301	●
113,00	140,00	13,00	C	metal	0,05	72 NBR 902	B2	23302	●
114,00	140,00	13,00	C	metal	0,05	72 NBR 902	B2U	23303	●
115,00	135,00	13,00	B	metal	0,05	72 NBR 902	B1	13859	●
115,00	140,00	11,00	CS	metal	0,05	72 NBR 902	B2USL	23557	●

● Available from stock ○ On request: Tool is available, delivery at short notice * → Diagram 2, page 18

d ₁	d ₂	b	DIN 3761	Outer surface	Pressure	Material	Type	Article No.	
115,00	140,00	12,00	AS	smooth	0,05	75 FKM 585	BAUMSL	142971	○
115,00	140,00	12,00	C	metal	0,05	75 FKM 595	B2U	2231	○
115,00	140,00	12,00	B	metal	0,05	72 NBR 902	B1	2776	●
115,00	140,00	12,00	AS	grooved	0,02	72 NBR 902	BAFUDSLX7	334501	●
115,00	140,00	12,00	A	smooth	0,05	72 NBR 902	BAUSL	335212	○
115,00	140,00	12,00	B	metal	0,02	72 NBR 902	B1FUD	335979	●
115,00	140,00	12,00	A	smooth	0,05	75 FKM 595	BAUM	351142	○
115,00	140,00	12,00	A	grooved	0,02	72 NBR 902	BAFUDX7	355480	●
115,00	140,00	12,00	A	grooved	0,05	75 FKM 585	BAUMX7	389700	●
115,00	140,00	12,00	AS	grooved	0,05	72 NBR 902	BAUSLX7	401314	○
115,00	140,00	12,00	C	metal	up to 1 MPa	PTFE F56101	B2PT	406841	●
115,00	140,00	12,00	AS	grooved	0,05	75 FKM 585	BAUMSLX7	522388	●
115,00	140,00	13,00	B	metal	0,05	72 NBR 902	B1USL	103181	●
115,00	140,00	13,00	C	metal	0,02	72 NBR 902	B2FUD	335167	●
115,00	140,00	13,00	B	metal	0,02	72 NBR 902	B1FUD	335980	●
115,00	140,00	15,00	C	metal	0,02	72 NBR 902	B2FUD	335995	●
115,00	140,00	15,00	BS	metal	0,02	72 NBR 902	B1FUDSL	364335	●
115,00	150,00	12,00	B	metal	0,05	72 NBR 902	B1U	11442	●
115,00	150,00	12,00	A	smooth	0,05	72 NBR 902	BA	2605	●
115,00	150,00	12,00	A	grooved	0,05	75 FKM 585	BAUMX7	407103	●
115,00	150,00	12,00	AS	grooved	0,05	75 FKM 585	BAUMSLX7	411270	●
115,00	150,00	13,00	C	metal	0,05	72 NBR 902	B2U	23309	●
115,00	150,00	13,00	B	metal	0,02	72 NBR 902	B1FUD	25526	●
115,00	150,00	15,00	C	metal	0,05	72 NBR 902	B2	23310	●
115,00	160,00	12,00	A	grooved	0,05	75 FKM 585	BAUMX7	49010597	●
115,00	160,00	15,00	C	metal	0,05	72 NBR 902	B2	23311	●
115,00	170,00	12,00	AS	smooth	0,05	72 NBR 902	BAUSLX2	522356	●
115,00	215,00	12,00	AS	smooth	0,05	72 NBR 902	BAUSLX2	522309	●
116,00	140,00	13,00	C	metal	0,05	72 NBR 902	B2	23530	○
118,00	140,00	13,00	C	metal	0,05	72 NBR 902	B2	23313	●
118,00	140,00	16,00	A	smooth	0,05	72 NBR 902	BADUO	9406	○
118,00	150,00	12,00	AS	smooth	0,05	72 NBR 902	BAUSLX2	457498	●
118,00	150,00	12,00	AS	smooth	0,05	75 FKM 585	BAUMSL	461900	●
118,00	150,00	12,00	A	smooth	0,05	72 NBR 902	BAUX2	462756	●
118,00	150,00	12,00	A	smooth	0,05	75 FKM 585	BAUM	462757	●
118,00	150,00	15,00	C	metal	0,05	72 NBR 902	B2	23314	●
118,00	160,00	15,00	C	metal	0,05	72 NBR 902	B2U	23315	●
120,00	140,00	7,50	AS	smooth	*	75 FKM 595	BABSL	360177	●
120,00	140,00	7,50	AS	smooth	*	72 NBR 902	BABSL	85746	●
120,00	140,00	10,00	AS	smooth	*	72 NBR 902	BABSL	82439	●
120,00	140,00	12,00	C	metal	up to 1 MPa	PTFE F56101	B2PT	406842	●
120,00	140,00	12,00	A	smooth	0,05	72 NBR 902	BAU	411088	●
120,00	140,00	12,00	A	smooth	0,05	72 NBR 902	BAUSL	49030924	●
120,00	140,00	13,00	C	metal	0,02	72 NBR 902	B2FUD	335172	●
120,00	140,00	13,00	B	metal	0,02	72 NBR 902	B1FUD	335978	●
120,00	140,00	13,00	BS	metal	0,02	72 NBR 902	B1FUDSL	347234	●
120,00	140,00	13,00	AS	grooved	0,05	75 FKM 585	BAUMSLX7	405832	●
120,00	140,00	13,00	A	smooth	0,05	72 NBR 902	BAUX2	49037537	●
120,00	140,00	13,00	AS	smooth	0,05	72 NBR 902	BAUSLX2	524147	●
120,00	140,00	13,00	A	grooved	0,05	75 FKM 585	BAUMX7	525673	●

● Available from stock ○ On request: Tool is available, delivery at short notice * → Diagram 2, page 18

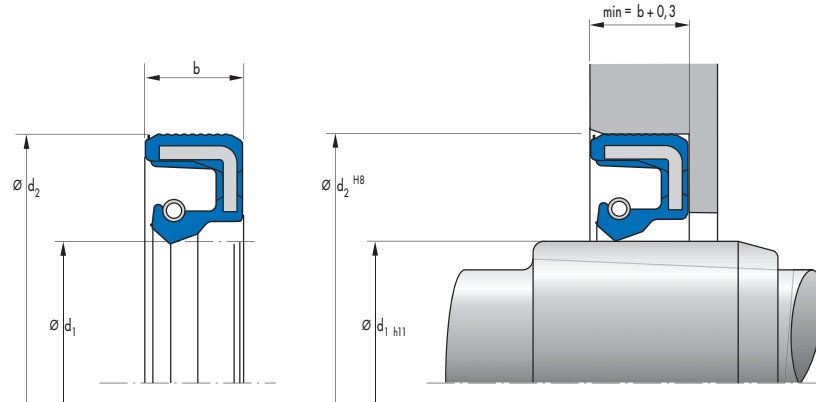


d_1	d_2	b	DIN 3761	Outer surface	Pressure	Material	Type	Article No.	
120,00	145,00	15,00	B	metal	0,05	72 NBR 902	B1U	122443	●
120,00	145,00	15,00	C	metal	0,05	72 NBR 902	B2U	66352	●
120,00	150,00	10,00	AS	smooth	*	75 FKM 595	BABSL	324576	●
120,00	150,00	10,00	AS	smooth	*	72 NBR 902	BABSL	427822	●
120,00	150,00	10,00	AS	smooth	*	75 FKM 595	BABSL	523775	○
120,00	150,00	12,00	AS	smooth	*	72 NBR 902	BABSL	12011536	●
120,00	150,00	12,00	B	metal	0,02	72 NBR 902	B1FUD	335166	●
120,00	150,00	12,00	A	grooved	0,05	75 FKM 585	BAUMX7	401018	●
120,00	150,00	12,00	B	metal	0,05	72 NBR 902	B1USL	436126	○
120,00	150,00	12,00	AS	grooved	0,05	75 FKM 585	BAUMSLX7	474123	●
120,00	150,00	12,00	A	smooth	0,05	72 NBR 902	BAUX2	49017408	●
120,00	150,00	12,00	AS	smooth	0,05	72 NBR 902	BAUSLX2	526963	●
120,00	150,00	12,00	A	smooth	0,05	72 NBR 902	BAU	9413	○
120,00	150,00	13,00	A	smooth	0,05	72 NBR 902	BA	31371	●
120,00	150,00	13,00	C	metal	0,02	72 NBR 902	B2FUD	335986	●
120,00	150,00	13,00	AS	smooth	0,05	75 FKM 595	BAUMSL	384118	○
120,00	150,00	13,00	AS	smooth	0,05	72 NBR 902	BASL	418990	●
120,00	150,00	15,00	CS	metal	0,05	72 NBR 902	B2SL	12059	●
120,00	150,00	15,00	CS	metal	0,05	72 NBR 902	B2USL	145092	●
120,00	150,00	15,00	BS	metal	0,05	72 NBR 902	B1SL	20189	●
120,00	150,00	15,00	B	metal	0,02	72 NBR 902	B1FUD	335972	●
120,00	150,00	15,00	C	metal	0,02	72 NBR 902	B2FUD	335987	●
120,00	150,00	15,00	A	grooved	0,05	75 FKM 585	BAUMX7	389455	●
120,00	150,00	15,00	AS	smooth	0,05	72 NBR 902	BAUSLX2	470447	●
120,00	150,00	15,00	AS	smooth	0,05	75 FKM 585	BAUMSL	470448	●
120,00	150,00	15,00	-	smooth	0,05	72 NBR 902	MSS 1	525406	●
120,00	150,00	15,00	-	smooth	0,05	75 FKM 585	MSS 1	525435	●
120,00	150,00	16,00	A	smooth	0,05	72 NBR 902	BADUO	370744	○
120,00	160,00	10,00	B	metal	0,05	72 NBR 902	B1USL	414273	●
120,00	160,00	10,00	BS	metal	0,05	72 NBR 902	B1SL	478718	●
120,00	160,00	10,00	B	metal	0,05	72 NBR 902	B1U	478719	●
120,00	160,00	12,00	A	smooth	0,05	72 NBR 902	BA	14120	●
120,00	160,00	12,00	B	metal	0,05	72 NBR 902	B1	2610	●
120,00	160,00	12,00	A	grooved	0,05	75 FKM 585	BAUMX7	407104	●
120,00	160,00	12,00	AS	grooved	0,05	75 FKM 585	BAUMSLX7	411290	●
120,00	160,00	13,00	C	metal	0,05	72 NBR 902	B2	23319	●

● Available from stock ○ On request: Tool is available, delivery at short notice * → Diagram 2, page 18

d ₁	d ₂	b	DIN 3761	Outer surface	Pressure	Material	Type	Article No.	
120,00	160,00	15,00	C	metal	0,05	72 NBR 902	B2	23320	●
120,00	170,00	15,00	C	metal	0,05	72 NBR 902	B2U	23533	●
120,00	180,00	12,00	AS	smooth	0,05	72 NBR 902	BAUSLX2	49043674	●
120,00	180,00	12,00	A	smooth	0,05	72 NBR 902	BAUX2	49043675	●
120,00	180,00	12,00	-	smooth	0,05	72 NBR 902	MSS 7	522346	●
120,00	180,00	15,00	AS	smooth	0,05	72 NBR 902	BAUSLX2	470451	●
120,00	180,00	15,00	AS	smooth	0,05	75 FKM 585	BAUMSL	470452	●
120,00	180,00	15,00	A	smooth	0,05	72 NBR 902	BAUX2	49031233	○
120,00	200,00	14,00	AS	grooved	0,05	72 NBR 902	BAUSLX27	451037	●
120,00	200,00	14,00	A	grooved	0,05	72 NBR 902	BAUX27	453168	●
120,00	200,00	14,00	AS	smooth	0,05	75 FKM 585	BAUMSL	49011950	●
120,00	200,00	14,00	A	smooth	0,05	75 FKM 585	BAUM	49012125	●
122,00	150,00	13,00	C	metal	0,05	72 NBR 902	B2U	23322	●
122,00	150,00	15,00	C	metal	0,05	72 NBR 902	B2	23323	○
122,00	150,00	15,00	AS	smooth	0,05	72 NBR 902	BASL	9427	●
122,00	200,00	15,00	AS	smooth	0,05	72 NBR 902	BAUSLX2	475364	●
122,00	200,00	15,00	AS	grooved	0,05	75 FKM 585	BAUMSLX7	477613	●
124,00	150,00	15,00	C	metal	0,05	72 NBR 902	B2	23324	●
125,00	145,00	13,00	A	grooved	0,05	75 FKM 585	BAUMX7	49016136	○
125,00	150,00	12,00	AS	grooved	0,02	72 NBR 902	BAFUDSLX7	334229	●
125,00	150,00	12,00	A	grooved	0,02	72 NBR 902	BAFUDX7	335125	●
125,00	150,00	12,00	B	metal	0,02	72 NBR 902	B1FUD	335977	●
125,00	150,00	12,00	C	metal	up to 1 MPa	PTFE F56101	B2PT	406838	●
125,00	150,00	12,00	AS	grooved	0,05	75 FKM 585	BAUMSLX7	407276	●
125,00	150,00	12,00	AS	smooth	*	75 FKM 585	BABSL	455694	○
125,00	150,00	12,00	A	grooved	0,05	75 FKM 585	BAUMX7	49045094	○
125,00	150,00	13,00	BS	metal	0,05	72 NBR 902	B1SL	20190	●
125,00	150,00	13,00	C	metal	0,02	72 NBR 902	B2FUD	335161	●
125,00	150,00	13,00	BS	metal	0,02	72 NBR 902	B1FUDSL	364318	●
125,00	150,00	13,00	A	smooth	0,05	72 NBR 902	BA	9440	●
125,00	150,00	15,00	C	metal	0,02	72 NBR 902	B2FUD	335994	●
125,00	150,00	15,00	A	grooved	0,05	75 FKM 585	BAUMX7	389702	●
125,00	150,00	15,00	CS	metal	0,05	72 NBR 902	B2USL	409243	●
125,00	152,40	15,00	C	metal	0,05	72 NBR 902	B2	3824	●
125,00	160,00	12,00	A	smooth	0,05	72 NBR 902	BA	14142	●
125,00	160,00	12,00	B	metal	0,05	72 NBR 902	B1	14766	●
125,00	160,00	12,00	A	grooved	0,05	75 FKM 585	BAUMX7	411240	●
125,00	160,00	13,00	B	metal	0,05	72 NBR 902	B1	19974	●
125,00	160,00	13,00	C	metal	0,05	72 NBR 902	B2	23328	●
125,00	160,00	15,00	C	metal	0,05	72 NBR 902	B2	23329	●
125,00	160,00	15,00	CS	metal	0,05	72 NBR 902	B2SL	25638	○
125,00	160,00	15,00	AS	smooth	0,05	72 NBR 902	BAUSLX2	470445	●
125,00	160,00	15,00	AS	smooth	0,05	75 FKM 585	BAUMSL	470446	●
125,00	160,00	15,00	-	smooth	0,05	72 NBR 902	MSS 1	525408	●
125,00	170,00	13,00	C	metal	0,05	72 NBR 902	B2	23330	●
125,00	170,00	15,00	C	metal	0,05	72 NBR 902	B2	23331	●
125,00	180,00	12,00	AS	smooth	0,05	72 NBR 902	BAUSLX2	522355	●
125,00	200,00	15,00	AS	smooth	0,05	72 NBR 902	BAUSLX2	470425	●
125,00	200,00	15,00	AS	smooth	0,05	75 FKM 585	BAUMSL	470426	●
125,00	200,00	15,00	-	smooth	0,05	72 NBR 902	MSS 1	525412	●

● Available from stock ○ On request: Tool is available, delivery at short notice * → Diagram 2, page 18

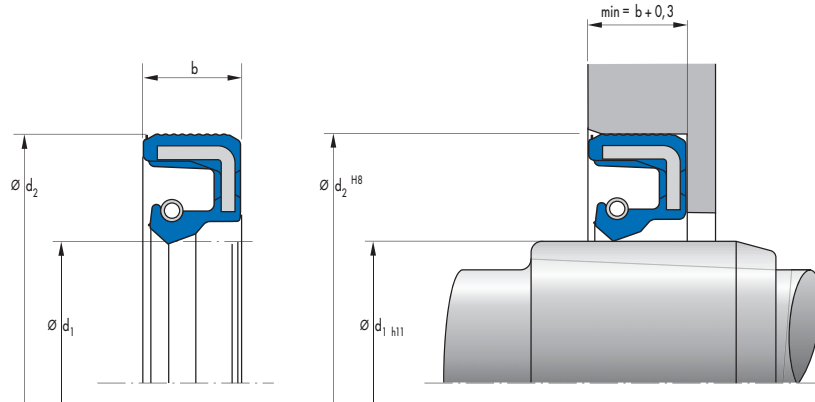


d_1	d_2	b	DIN 3761	Outer surface	Pressure	Material	Type	Article No.	
128,00	146,00	13,50	C	metal	0,02	72 NBR 902	B2FUD	341229	●
128,00	150,00	12,50	C	metal	0,05	75 FKM 585	B2U	24662	○
128,00	150,00	13,00	A	smooth	0,05	72 NBR 902	BAU	9452	●
128,00	150,00	15,00	B	metal	0,05	72 NBR 902	B1	19565	●
128,00	150,00	15,00	C	metal	0,05	72 NBR 902	B2U	23332	●
128,00	160,00	15,00	C	metal	0,05	72 NBR 902	B2U	23333	●
129,00	160,00	15,00	C	metal	0,05	72 NBR 902	B2	23335	●
130,00	150,00	7,50	AS	smooth	*	72 NBR 902	BABSL	369321	●
130,00	150,00	15,00	A	grooved	0,05	75 FKM 585	BAUMX7	530591	●
130,00	155,00	10,00	C	metal	0,05	72 NBR 902	B2U	21415	●
130,00	160,00	7,50	AS	smooth	*	75 FKM 595	BABSL	529820	●
130,00	160,00	12,00	AS	smooth	*	72 NBR 902	BABSL	12011537	●
130,00	160,00	12,00	A	grooved	0,02	72 NBR 902	BAFUDX7	364316	●
130,00	160,00	12,00	B	metal	0,05	72 NBR 902	B1USL	370762	●
130,00	160,00	12,00	A	grooved	0,05	75 FKM 585	BAUMX7	402397	●
130,00	160,00	12,00	AS	grooved	0,05	75 FKM 585	BAUMSLX7	474122	●
130,00	160,00	12,00	AS	smooth	0,05	72 NBR 902	BAUSLX2	49030495	●
130,00	160,00	12,00	AS	smooth	*	75 FKM 595	BABSL	529506	●
130,00	160,00	12,00	B	metal	0,05	72 NBR 902	B1U	8105	●
130,00	160,00	13,00	BS	metal	0,05	72 NBR 902	B1SL	20272	●
130,00	160,00	13,00	C	metal	0,05	72 NBR 902	B2U	23336	●
130,00	160,00	13,00	A	grooved	0,02	72 NBR 902	BAFUDX7	335201	●
130,00	160,00	14,00	A	smooth	0,05	72 NBR 902	BAU	376145	●
130,00	160,00	15,00	B	metal	0,05	72 NBR 902	B1U	19976	●
130,00	160,00	15,00	CS	metal	0,05	72 NBR 902	B2USL	34910	●
130,00	160,00	15,00	C	metal	0,02	72 NBR 902	B2FUD	364341	●
130,00	160,00	15,00	A	grooved	0,05	75 FKM 585	BAUMX7	389456	●
130,00	160,00	15,00	A	smooth	0,05	72 NBR 902	BAUSL	9463	●
130,00	165,00	13,00	C	metal	0,05	72 NBR 902	B2U	23338	●
130,00	170,00	12,00	AS	smooth	0,02	72 NBR 902	BAFUDSL	12013366	●
130,00	170,00	12,00	A	smooth	0,05	72 NBR 902	BA	14143	●
130,00	170,00	12,00	A	grooved	0,05	75 FKM 585	BAUMX7	407050	●
130,00	170,00	12,00	AS	grooved	0,05	75 FKM 585	BAUMSLX7	411238	●
130,00	170,00	13,00	C	metal	0,05	72 NBR 902	B2	23340	●
130,00	170,00	15,00	C	metal	0,05	72 NBR 902	B2	23342	●
130,00	170,00	15,00	CS	metal	0,05	72 NBR 902	B2USL	23476	●

● Available from stock ○ On request: Tool is available, delivery at short notice * → Diagram 2, page 18

d ₁	d ₂	b	DIN 3761	Outer surface	Pressure	Material	Type	Article No.	
130,00	170,00	15,00	AS	smooth	0,05	72 NBR 902	BAUSLX2	524696	●
130,00	180,00	15,00	C	metal	0,05	72 NBR 902	B2U	23343	●
130,00	200,00	15,00	AS	smooth	0,05	72 NBR 902	BAUSLX2	475361	●
130,00	200,00	15,00	AS	grooved	0,05	75 FKM 585	BAUMSLX7	477612	●
130,00	215,00	12,00	–	smooth	0,05	72 NBR 902	MSS 7	522311	●
130,00	215,00	15,00	AS	smooth	0,05	72 NBR 902	BAUSLX2	520454	●
130,00	215,00	15,00	AS	smooth	0,05	75 FKM 585	BAUMSL	520743	●
130,00	230,00	14,00	AS	grooved	0,05	72 NBR 902	BAUSLX27	451056	●
130,00	230,00	14,00	A	grooved	0,05	72 NBR 902	BAUX27	451058	●
132,00	160,00	13,00	C	metal	0,05	72 NBR 902	B2	23344	●
132,00	160,00	15,00	C	metal	0,05	72 NBR 902	B2	23345	●
135,00	159,00	6,50	A	metal	un-pressurised	80 NBR 177458	MSC 01	508558	●
135,00	159,00	6,50	A	metal	un-pressurised	80 FKM 177459	MSC 01	508603	●
135,00	160,00	12,00	A	smooth	0,02	72 NBR 902	BAFUD	12011085	●
135,00	160,00	13,00	C	metal	0,02	72 NBR 902	B2FUD	335199	●
135,00	160,00	14,00	C	metal	0,05	75 FKM 595	B2	432265	○
135,00	160,00	15,00	B	metal	0,02	72 NBR 902	B1FUD	335975	●
135,00	160,00	15,00	C	metal	0,02	72 NBR 902	B2FUD	335991	●
135,00	165,00	12,00	A	grooved	0,05	75 FKM 585	BAUMX7	521829	●
135,00	165,00	13,00	C	metal	0,05	72 NBR 902	B2U	23348	●
135,00	165,00	15,00	C	metal	0,05	72 NBR 902	B2	23537	●
135,00	170,00	10,00	B	metal	0,05	72 NBR 902	B1USL	430579	○
135,00	170,00	12,00	B	metal	0,05	72 NBR 902	B1U	11446	●
135,00	170,00	12,00	A	grooved	0,02	72 NBR 902	BAFUDX7	335202	●
135,00	170,00	12,00	AS	smooth	0,05	75 FKM 585	BAUMSL	375318	○
135,00	170,00	12,00	A	grooved	0,05	75 FKM 585	BAUMX7	411236	●
135,00	170,00	12,00	AS	smooth	0,05	72 NBR 902	BAUSLX2	478571	●
135,00	170,00	12,00	A	smooth	0,05	72 NBR 902	BAUX2	478573	●
135,00	170,00	13,00	C	metal	0,05	72 NBR 902	B2U	23349	●
135,00	170,00	15,00	B	metal	0,05	72 NBR 902	B1	19979	●
135,00	170,00	15,00	C	metal	0,05	72 NBR 902	B2U	23350	●
135,00	170,00	15,00	A	grooved	0,05	75 FKM 585	BAUMX7	389749	●
135,00	180,00	15,00	C	metal	0,05	72 NBR 902	B2U	23351	●
135,00	215,00	12,00	AS	smooth	0,05	72 NBR 902	BAUSLX2	522312	●
138,00	160,00	15,00	C	metal	0,02	72 NBR 902	B2FUD	335197	●
138,00	170,00	15,00	C	metal	0,05	72 NBR 902	B2U	23352	●
140,00	160,00	10,00	AS	smooth	*	72 NBR 902	BABSL	329169	●
140,00	160,00	10,00	AS	smooth	*	75 FKM 595	BABSL	476112	○
140,00	160,00	13,00	B	metal	0,02	72 NBR 902	B1FUD	344711	●
140,00	160,00	13,00	C	metal	0,05	72 NBR 902	B2U	374756	●
140,00	160,00	15,00	C	metal	0,02	72 NBR 902	B2FUD	345082	●
140,00	165,00	12,00	C	metal	0,05	72 NBR 902	B2	22821	●
140,00	165,00	12,00	A	smooth	0,05	72 NBR 902	BA	9475	●
140,00	165,00	15,00	C	metal	0,05	72 NBR 902	B2U	23354	●
140,00	170,00	12,00	AS	smooth	0,02	72 NBR 902	BAFUDSL	12014961	●
140,00	170,00	13,00	CS	metal	0,05	75 FKM 595	B2SL	2272	○
140,00	170,00	13,00	C	metal	0,02	72 NBR 902	B2FUD	335198	●
140,00	170,00	13,00	AS	grooved	0,05	75 FKM 585	BAUMSLX7	434702	●
140,00	170,00	13,00	A	smooth	0,05	72 NBR 902	BAU	9484	●
140,00	170,00	15,00	AS	smooth	*	72 NBR 902	BABSL	12011538	●

● Available from stock ○ On request: Tool is available, delivery at short notice * → Diagram 2, page 18

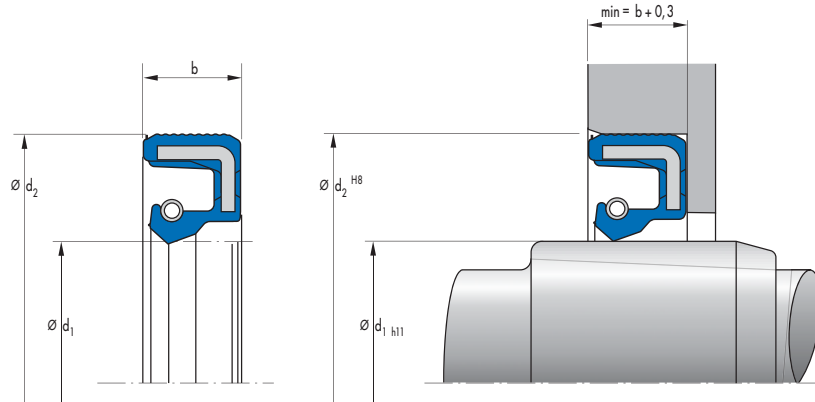


d ₁	d ₂	b	DIN 3761	Outer surface	Pressure	Material	Type	Article No.	
140,00	170,00	15,00	AS	smooth	*	72 NBR 902	BABSL	142668	●
140,00	170,00	15,00	CS	metal	0,02	72 NBR 902	B2FUDSL	334337	●
140,00	170,00	15,00	B	metal	0,02	72 NBR 902	B1FUD	335976	●
140,00	170,00	15,00	C	metal	0,02	72 NBR 902	B2FUD	335993	●
140,00	170,00	15,00	A	grooved	0,05	75 FKM 595	BAUMX7	348664	○
140,00	170,00	15,00	C	metal	up to 1 MPa	PTFE F56101	B2PT	365200	○
140,00	170,00	15,00	AS	smooth	*	75 FKM 595	BABSL	372626	●
140,00	170,00	15,00	A	grooved	0,05	75 FKM 585	BAUMX7	389458	●
140,00	170,00	15,00	A	smooth	0,05	72 NBR 902	BAUX2	478568	○
140,00	170,00	15,00	AS	smooth	0,05	72 NBR 902	BAUSLX2	49011061	●
140,00	170,00	15,00	A	smooth	0,05	72 NBR 902	BA	5743	●
140,00	170,00	15,00	AS	smooth	0,05	72 NBR 902	BASL	9491	●
140,00	170,00	15,00	A	smooth	0,05	72 NBR 902	BA	9493	●
140,00	180,00	12,00	A	smooth	0,02	72 NBR 902	BAFUD	12011089	●
140,00	180,00	12,00	AS	smooth	*	75 FKM 595	BABSL	476731	●
140,00	180,00	12,00	A	smooth	0,05	72 NBR 902	BAUX2	49037538	●
140,00	180,00	12,00	AS	smooth	*	72 NBR 902	BABSL	520212	●
140,00	180,00	15,00	B	metal	0,05	72 NBR 902	B1USL	20194	●
140,00	180,00	15,00	C	metal	0,05	72 NBR 902	B2	23357	●
140,00	180,00	15,00	CS	metal	0,05	72 NBR 902	B2SL	321493	●
140,00	190,00	15,00	C	metal	0,05	72 NBR 902	B2	23358	●
140,00	230,00	15,00	AS	grooved	0,05	72 NBR 902	BAUSLX27	451930	●
140,00	230,00	15,00	AS	smooth	0,05	75 FKM 585	BAUMSL	49012059	●
140,00	230,00	15,00	A	smooth	0,05	75 FKM 585	BAUM	49012122	●
140,00	230,00	15,00	A	grooved	0,05	72 NBR 902	BAUX27	532980	●
140,00	250,00	15,00	A	grooved	0,05	72 NBR 902	BAUX27	467792	●
140,00	250,00	15,00	AS	grooved	0,05	72 NBR 902	BAUSLX27	467868	●
140,00	250,00	15,00	AS	smooth	0,05	75 FKM 585	BAUMSL	49012058	●
140,00	250,00	15,00	A	smooth	0,05	75 FKM 585	BAUM	49012123	●
142,00	170,00	15,00	C	metal	0,05	72 NBR 902	B2U	23535	●
144,00	180,00	15,00	C	metal	0,05	72 NBR 902	B2	23359	●
145,00	165,00	13,00	C	metal	0,02	72 NBR 902	B2FUD	341228	●
145,00	170,00	13,00	BS	metal	0,05	72 NBR 902	B1SL	12011373	●
145,00	170,00	13,00	C	metal	0,05	72 NBR 902	B2U	23360	●
145,00	170,00	13,00	AS	smooth	0,05	72 NBR 902	BAUSLX2	49016145	●
145,00	170,00	13,00	CS	metal	0,05	72 NBR 902	B2SL	5238	●

● Available from stock ○ On request: Tool is available, delivery at short notice * → Diagram 2, page 18

d ₁	d ₂	b	DIN 3761	Outer surface	Pressure	Material	Type	Article No.	
145,00	170,00	15,00	A	smooth	0,05	72 NBR 902	BAU	106590	○
145,00	170,00	15,00	B	metal	0,05	72 NBR 902	B1U	20268	●
145,00	170,00	15,00	C	metal	0,05	72 NBR 902	B2U	23361	●
145,00	175,00	13,00	C	metal	0,05	72 NBR 902	B2U	114908	●
145,00	175,00	15,00	BS	metal	0,02	72 NBR 902	B1FUDSL	116558	●
145,00	175,00	15,00	A	smooth	0,05	72 NBR 902	BA	14163	●
145,00	175,00	15,00	C	metal	0,05	72 NBR 902	B2	2619	●
145,00	175,00	15,00	B	metal	0,05	72 NBR 902	B1	31533	●
145,00	175,00	15,00	A	grooved	0,05	75 FKM 585	BAUMX7	402486	●
145,00	180,00	13,00	AS	smooth	0,02	72 NBR 902	BAFUDSL	12011214	●
145,00	180,00	13,00	C	metal	0,05	72 NBR 902	B2	23362	●
145,00	180,00	15,00	C	metal	0,05	72 NBR 902	B2U	23363	●
145,00	190,00	15,00	C	metal	0,05	72 NBR 902	B2	23364	●
145,00	190,00	17,00	AS	smooth	0,05	72 NBR 902	BAUSLX2	470449	●
145,00	190,00	17,00	AS	smooth	0,05	75 FKM 585	BAUMSL	470450	●
145,00	230,00	17,00	AS	smooth	0,05	72 NBR 902	BAUSLX2	470427	●
145,00	230,00	17,00	AS	smooth	0,05	75 FKM 585	BAUMSL	470428	●
145,00	230,00	17,00	–	smooth	0,05	72 NBR 902	MSS 1	525413	●
145,00	230,00	17,00	–	smooth	0,05	75 FKM 585	MSS 1	525444	○
146,00	178,00	14,00	C	metal	0,05	72 NBR 902	B2	23366	○
146,00	193,70	10,00	AS	smooth	*	72 NBR 902	BABSL	454312	○
148,00	170,00	14,50	CS	metal	0,02	72 NBR 902	B2FUDSL	341227	●
148,00	170,00	15,00	C	metal	0,05	72 NBR 902	B2U	23367	●
148,00	170,00	15,00	A	smooth	0,05	72 NBR 902	BA	9501	●
148,00	180,00	15,00	C	metal	0,05	72 NBR 902	B2U	23368	●
150,00	170,00	15,00	C	metal	0,05	72 NBR 902	B2U	345083	●
150,00	180,00	8,50	AS	smooth	*	72 NBR 902	BABSL	146597	●
150,00	180,00	8,50	AS	smooth	*	75 FKM 585	BABSL	366770	●
150,00	180,00	8,50	AS	smooth	*	72 NBR 902	BABSL	49031083	●
150,00	180,00	13,00	C	metal	0,05	72 NBR 902	B2U	23370	●
150,00	180,00	13,00	C	metal	0,05	75 FKM 595	B2	431416	○
150,00	180,00	13,00	A	smooth	0,05	72 NBR 902	BA	9505	●
150,00	180,00	15,00	B	metal	0,05	72 NBR 902	B1U	19984	●
150,00	180,00	15,00	B	metal	0,05	72 NBR 902	B1USL	20195	○
150,00	180,00	15,00	C	metal	0,05	72 NBR 902	B2U	23371	●
150,00	180,00	15,00	CS	metal	0,05	72 NBR 902	B2USL	355455	●
150,00	180,00	15,00	BS	metal	0,02	72 NBR 902	B1FUDSL	356357	●
150,00	180,00	15,00	A	grooved	0,05	75 FKM 585	BAUMX7	389750	●
150,00	180,00	15,00	B	metal	0,05	72 NBR 902	B1USL	436128	○
150,00	180,00	15,00	A	smooth	0,05	72 NBR 902	BAU	49010296	●
150,00	180,00	15,00	AS	smooth	0,05	72 NBR 902	BAUSLX2	49010594	●
150,00	180,00	15,00	AS	grooved	0,05	75 FKM 585	BAUMSLX7	521014	●
150,00	190,00	15,00	C	metal	0,05	72 NBR 902	B2U	23372	●
150,00	190,00	15,00	C	metal	0,05	75 FKM 595	B2	49033343	○
150,00	200,00	15,00	C	metal	0,05	72 NBR 902	B2	23373	●
150,00	225,00	12,00	–	smooth	0,05	72 NBR 902	MSS 7	522345	●
150,00	225,00	15,00	AS	smooth	0,05	72 NBR 902	BAUSLX2	475365	●
150,00	225,00	15,00	AS	grooved	0,05	75 FKM 585	BAUMSLX7	477610	●
155,00	174,00	12,00	A	smooth	0,05	75 FKM 595	BAUM	410711	○
155,00	174,00	12,00	A	smooth	0,05	72 NBR 902	BA	9518	●

● Available from stock ○ On request: Tool is available, delivery at short notice * → Diagram 2, page 18

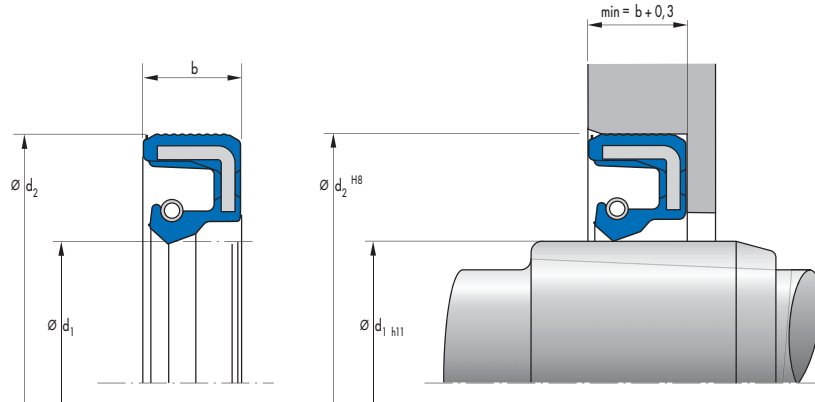


d ₁	d ₂	b	DIN 3761	Outer surface	Pressure	Material	Type	Article No.	
155,00	180,00	15,00	C	metal	0,05	72 NBR 902	B2	23376	●
155,00	180,00	15,00	A	smooth	0,05	75 FKM 585	BAUM	463990	○
155,00	180,00	15,00	AS	grooved	0,05	75 FKM 585	BAUMSLX7	474107	●
155,00	180,00	15,00	AS	smooth	0,05	72 NBR 902	BAUSLX2	478569	●
155,00	180,00	15,00	A	smooth	0,05	72 NBR 902	BAUX2	478570	●
155,00	190,00	13,00	AS	smooth	0,05	72 NBR 902	BAUSLX2	478579	●
155,00	190,00	13,00	A	smooth	0,05	72 NBR 902	BAUX2	478580	●
155,00	190,00	15,00	B	metal	0,05	72 NBR 902	B1	19985	●
155,00	190,00	15,00	C	metal	0,05	72 NBR 902	B2	23377	●
155,00	200,00	15,00	C	metal	0,05	72 NBR 902	B2	23379	●
155,00	225,00	12,00	AS	smooth	0,05	72 NBR 902	BAUSLX2	522354	●
158,00	180,00	15,00	C	metal	0,05	72 NBR 902	B2U	22826	●
160,00	180,00	10,00	B	metal	0,05	72 NBR 902	B1USL	328020	●
160,00	180,00	15,00	C	metal	0,02	72 NBR 902	B2FUD	395523	●
160,00	185,00	8,50	AS	smooth	*	72 NBR 902	BABSL	3790	●
160,00	185,00	10,00	B	metal	0,05	72 NBR 902	B1U	19986	●
160,00	185,00	10,00	A	smooth	0,05	72 NBR 902	BA	36952	●
160,00	185,00	14,00	A	smooth	0,05	72 NBR 902	BAU	331905	●
160,00	190,00	8,50	AS	smooth	*	75 FKM 595	BABSL	464827	○
160,00	190,00	13,00	B	metal	0,05	72 NBR 902	B1	19987	●
160,00	190,00	13,00	C	metal	0,05	72 NBR 902	B2	23380	●
160,00	190,00	15,00	AS	smooth	0,05	72 NBR 902	BASL	122255	●
160,00	190,00	15,00	B	metal	0,05	72 NBR 902	B1	19988	●
160,00	190,00	15,00	C	metal	0,05	72 NBR 902	B2U	23381	●
160,00	190,00	15,00	A	smooth	0,05	72 NBR 902	BAU	2627	●
160,00	190,00	15,00	A	smooth	0,05	72 NBR 902	BAU	323701	○
160,00	190,00	15,00	CS	metal	0,02	72 NBR 902	B2FUDSL	355453	●
160,00	190,00	15,00	A	grooved	0,05	75 FKM 585	BAUMX7	389752	●
160,00	190,00	15,00	AS	smooth	0,05	72 NBR 902	BAUSLX2	49030496	●
160,00	190,00	15,00	AS	grooved	0,05	75 FKM 585	BAUMSLX7	521015	●
160,00	200,00	10,00	AS	smooth	*	72 NBR 902	BABSL	523618	●
160,00	200,00	10,00	AS	smooth	*	75 FKM 595	BABSL	523619	●
160,00	200,00	15,00	C	metal	0,05	72 NBR 902	B2U	23383	●
160,00	240,00	14,00	AS	smooth	0,05	72 NBR 902	BAUSLX2	475366	●
160,00	240,00	14,00	AS	grooved	0,05	75 FKM 585	BAUMSLX7	477614	●
160,00	290,00	18,00	AS	grooved	0,05	72 NBR 902	BAUSLX27	452148	●

● Available from stock ○ On request: Tool is available, delivery at short notice * → Diagram 2, page 18

d ₁	d ₂	b	DIN 3761	Outer surface	Pressure	Material	Type	Article No.	
160,00	290,00	18,00	A	grooved	0,05	72 NBR 902	BAUX27	452149	●
160,00	290,00	18,00	AS	smooth	0,05	75 FKM 595	BAUMSL	49012057	●
160,00	290,00	18,00	A	smooth	0,05	75 FKM 595	BAUM	49012110	●
162,00	190,00	12,00	A	smooth	0,05	75 FKM 585	BAUM	410714	○
162,00	190,00	12,00	AS	smooth	0,05	72 NBR 902	BAUSLX2	478561	●
162,00	190,00	12,00	A	smooth	0,05	72 NBR 902	BAUX2	478563	●
162,00	190,00	12,00	AS	grooved	0,05	75 FKM 585	BAUMSLX7	520229	●
162,00	190,00	15,00	C	metal	0,05	72 NBR 902	B2	23384	●
165,00	190,00	13,00	B	metal	0,05	72 NBR 902	B1U	19989	●
165,00	190,00	13,00	B	metal	0,05	72 NBR 902	B1USL	20199	●
165,00	190,00	13,00	C	metal	0,05	72 NBR 902	B2U	23386	●
165,00	190,00	13,00	A	smooth	0,05	72 NBR 902	BA	9529	●
165,00	190,00	15,00	B	metal	0,05	72 NBR 902	B1U	19990	●
165,00	190,00	15,00	C	metal	0,05	72 NBR 902	B2U	23387	●
165,00	200,00	15,00	C	metal	0,05	72 NBR 902	B2	23388	●
168,00	190,00	15,00	C	metal	0,05	72 NBR 902	B2U	22828	●
168,00	190,00	15,00	A	smooth	0,05	75 FKM 595	BAUM	342151	○
168,00	200,00	15,00	C	metal	0,05	72 NBR 902	B2U	23389	●
168,00	200,00	15,00	C	metal	0,05	75 FKM 585	B2U	326623	○
170,00	190,00	15,00	B	metal	0,05	72 NBR 902	B1USL	315273	●
170,00	190,00	15,00	C	metal	0,02	72 NBR 902	B2FUD	341226	●
170,00	200,00	12,00	BS	metal	0,05	72 NBR 902	B1SL	37129	●
170,00	200,00	12,00	AS	smooth	*	75 FKM 595	BABSL	476560	○
170,00	200,00	12,00	AS	smooth	*	72 NBR 902	BABSL	520211	●
170,00	200,00	13,00	C	metal	0,05	72 NBR 902	B2U	23391	●
170,00	200,00	14,00	AS	smooth	*	72 NBR 902	BABSL	146585	●
170,00	200,00	14,00	AS	smooth	*	75 FKM 595	BABSL	397048	●
170,00	200,00	15,00	CS	metal	0,05	72 NBR 902	B2SL	23503	●
170,00	200,00	15,00	A	smooth	0,05	72 NBR 902	BA	31453	●
170,00	200,00	15,00	BS	metal	0,05	72 NBR 902	B1SL	31473	○
170,00	200,00	15,00	C	metal	0,02	72 NBR 902	B2FUD	355457	●
170,00	200,00	15,00	B	metal	0,02	72 NBR 902	B1FUD	356360	●
170,00	200,00	15,00	AS	grooved	0,02	72 NBR 902	BAFUDSLX7	364313	●
170,00	200,00	15,00	A	grooved	0,05	75 FKM 585	BAUMX7	389755	●
170,00	200,00	15,00	AS	grooved	0,05	75 FKM 585	BAUMSLX7	521016	●
170,00	215,00	16,00	C	metal	0,05	72 NBR 902	B2	23393	●
170,00	215,00	16,00	CS	metal	0,05	72 NBR 902	B2USL	478559	○
170,00	215,00	16,00	C	metal	0,05	72 NBR 902	B2U	478560	●
172,00	190,00	8,50	AS	smooth	*	75 FKM 595	BABSL	469004	●
172,00	200,00	15,00	C	metal	0,05	72 NBR 902	B2U	23395	●
174,00	190,00	5,00	A	smooth	0,05	72 NBR 902	BAUSL	406551	○
175,00	200,00	15,00	C	metal	0,02	72 NBR 902	B2FUD	334979	●
175,00	200,00	15,00	B	metal	0,05	75 FKM 595	B1U	426969	○
175,00	200,00	15,00	A	smooth	0,05	72 NBR 902	BAU	526213	●
175,00	205,00	15,00	C	metal	up to 1 MPa	PTFE F56101	B2PT	471887	○
175,00	205,00	15,00	A	smooth	0,05	72 NBR 902	BA	9550	●
175,00	215,00	16,00	C	metal	0,05	72 NBR 902	B2U	23397	●
178,00	200,00	15,00	C	metal	0,05	72 NBR 902	B2U	23399	●
178,00	215,00	16,00	C	metal	0,05	72 NBR 902	B2	23400	●
180,00	200,00	12,00	C	metal	0,05	72 NBR 902	B2U	339544	●

● Available from stock ○ On request: Tool is available, delivery at short notice * → Diagram 2, page 18

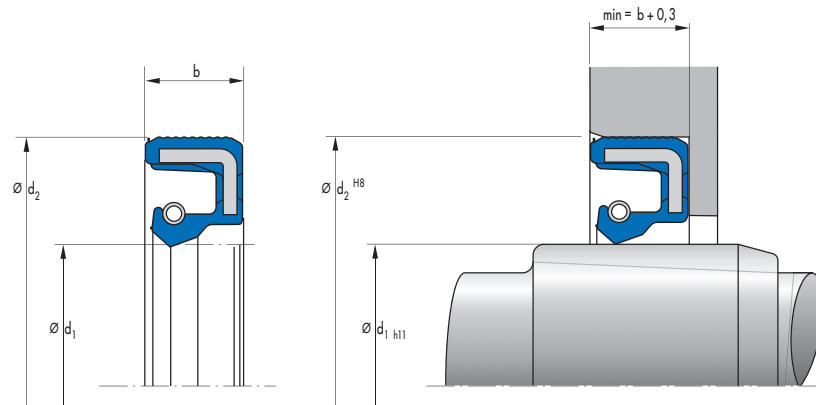


d_1	d_2	b	DIN 3761	Outer surface	Pressure	Material	Type	Article No.	
180,00	200,00	12,00	B	metal	0,05	72 NBR 902	B1USL	49002098	○
180,00	200,00	15,00	C	metal	0,05	72 NBR 902	B2U	23567	●
180,00	200,00	15,00	CS	metal	0,05	72 NBR 902	B2SL	326786	●
180,00	210,00	8,50	AS	smooth	*	72 NBR 902	BABSL	367484	●
180,00	210,00	8,50	AS	smooth	*	75 FKM 595	BABSL	520626	●
180,00	210,00	15,00	B	metal	0,05	72 NBR 902	B1U	19129	●
180,00	210,00	15,00	C	metal	0,05	72 NBR 902	B2U	2630	●
180,00	210,00	15,00	A	grooved	0,02	72 NBR 902	BAFUDX27	346139	●
180,00	210,00	15,00	A	grooved	0,05	75 FKM 585	BAUMX7	402490	●
180,00	210,00	15,00	AS	grooved	0,05	75 FKM 585	BAUMSLX7	521017	●
180,00	215,00	15,00	CS	metal	0,05	72 NBR 902	B2USL	27471	●
180,00	215,00	16,00	B	metal	0,05	72 NBR 902	B1	19992	●
180,00	215,00	16,00	C	metal	0,05	72 NBR 902	B2U	23402	●
180,00	215,00	16,00	AS	smooth	0,05	75 FKM 585	BAUMSL	392790	○
180,00	220,00	16,00	C	metal	0,05	72 NBR 902	B2	23403	●
182,00	215,00	16,00	C	metal	0,05	72 NBR 902	B2	23404	●
184,00	210,00	15,00	AS	smooth	0,05	75 FKM 595	BAUMSL	304125	○
185,00	205,00	11,00	AS	smooth	*	75 FKM 595	BABSL	531100	●
185,00	205,00	11,00	AS	smooth	*	72 NBR 902	BABSL	531108	●
185,00	210,00	13,00	A	grooved	0,02	72 NBR 902	BAFUDX27	334281	●
185,00	215,00	15,00	C	metal	0,05	72 NBR 902	B2U	23405	●
185,00	215,00	16,00	CS	metal	0,05	72 NBR 902	B2SL	100795	●
185,00	215,00	16,00	CS	metal	0,05	72 NBR 902	B2SL	23480	○
185,00	215,00	16,00	C	metal	0,05	75 FKM 585	B2U	471587	○
185,00	230,00	16,00	C	metal	0,05	72 NBR 902	B2	23406	●
188,00	215,00	16,00	C	metal	0,05	72 NBR 902	B2	23407	●
190,00	215,00	15,00	B	metal	0,05	72 NBR 902	B1U	19994	●
190,00	215,00	16,00	C	metal	0,05	72 NBR 902	B2U	22831	●
190,00	220,00	12,00	A	smooth	0,05	72 NBR 902	BAUSL	9561	●
190,00	220,00	15,00	A	smooth	0,05	72 NBR 902	BAU	11458	○
190,00	220,00	15,00	A	grooved	0,02	72 NBR 902	BAFUDX27	334745	●
190,00	220,00	15,00	C	metal	0,02	72 NBR 902	B2FUD	345085	●
190,00	220,00	15,00	B	metal	0,02	72 NBR 902	B1FUD	345090	●
190,00	220,00	15,00	AS	smooth	*	75 FKM 595	BABSL	363446	●
190,00	220,00	15,00	A	grooved	0,05	75 FKM 585	BAUMX7	389697	●
190,00	220,00	15,00	AS	smooth	*	72 NBR 902	BABSL	427821	●

● Available from stock ○ On request: Tool is available, delivery at short notice * → Diagram 2, page 18

d ₁	d ₂	b	DIN 3761	Outer surface	Pressure	Material	Type	Article No.	
190,00	220,00	15,00	AS	grooved	0,05	75 FKM 585	BAUMSLX7	454176	●
190,00	220,00	16,00	B	metal	0,02	72 NBR 902	B1FUD	345091	●
190,00	220,00	16,00	B	metal	0,05	75 FKM 585	B1U	49011248	○
190,00	225,00	16,00	AS	smooth	0,05	72 NBR 902	BAUSLX2	478703	●
190,00	225,00	16,00	A	smooth	0,05	72 NBR 902	BAUX2	478704	●
190,00	230,00	16,00	C	metal	0,05	72 NBR 902	B2	23409	●
195,00	220,00	16,00	C	metal	0,05	72 NBR 902	B2U	23411	●
195,00	220,00	16,00	C	metal	0,05	75 FKM 595	B2U	530942	○
195,00	230,00	15,00	C	metal	0,05	72 NBR 902	B2	23412	●
200,00	230,00	13,00	AS	smooth	*	72 NBR 902	BABSL	360342	●
200,00	230,00	13,00	AS	smooth	*	75 FKM 595	BABSL	529444	●
200,00	230,00	15,00	B	metal	0,05	72 NBR 902	B1USL	20269	●
200,00	230,00	15,00	C	metal	0,05	72 NBR 902	B2U	23414	●
200,00	230,00	15,00	B	metal	0,05	72 NBR 902	B1	26728	●
200,00	230,00	15,00	A	smooth	0,05	72 NBR 902	BA	31464	●
200,00	230,00	15,00	CS	metal	0,05	72 NBR 902	B2SL	34917	●
200,00	230,00	15,00	A	smooth	0,05	72 NBR 902	BAUSL	349992	●
200,00	230,00	15,00	A	grooved	0,05	75 FKM 585	BAUMX7	407051	●
200,00	230,00	15,00	AS	grooved	0,05	75 FKM 585	BAUMSLX7	520230	●
200,00	230,00	16,00	B	metal	0,05	72 NBR 902	B1U	19996	●
200,00	250,00	15,00	C	metal	0,05	72 NBR 902	B2	23415	●
200,00	310,00	18,00	AS	smooth	0,05	75 FKM 595	BAUMSL	49011949	●
200,00	310,00	18,00	A	smooth	0,05	75 FKM 595	BAUM	49012111	●
205,00	230,00	15,00	B	metal	0,05	72 NBR 902	B1	19997	●
205,00	230,00	15,00	A	grooved	0,05	75 FKM 585	BAUMX7	528843	●
205,00	230,00	16,00	C	metal	0,05	72 NBR 902	B2U	22832	●
205,00	250,00	16,00	C	metal	0,05	72 NBR 902	B2	25648	●
210,00	240,00	15,00	B	metal	0,05	72 NBR 902	B1U	19239	●
210,00	240,00	15,00	A	smooth	0,05	72 NBR 902	BA	2546	●
210,00	240,00	15,00	C	metal	0,05	72 NBR 902	B2	2551	●
210,00	240,00	15,00	C	metal	0,05	75 FKM 595	B2U	312565	○
210,00	240,00	15,00	AS	grooved	0,05	75 FKM 585	BAUMSLX7	474108	●
210,00	250,00	16,00	C	metal	0,05	72 NBR 902	B2U	23418	●
215,00	235,00	10,00	AS	smooth	0,05	75 FKM 595	BAUMSL	478540	○
215,00	240,00	12,00	A	smooth	0,05	72 NBR 902	BAUX2	9577	●
215,00	245,00	16,00	C	metal	0,05	75 FKM 585	B2U	327418	○
215,00	250,00	16,00	C	metal	0,05	72 NBR 902	B2U	23419	●
215,00	250,00	16,00	C	metal	0,05	75 FKM 595	B2U	429789	○
215,00	250,00	16,00	A	smooth	0,05	72 NBR 902	BAU	9580	●
218,00	250,00	16,00	C	metal	0,05	72 NBR 902	B2	23420	●
220,00	250,00	11,00	B	metal	0,05	72 NBR 902	B1	20440	●
220,00	250,00	15,00	CS	metal	0,05	72 NBR 902	B2SL	150730	●
220,00	250,00	15,00	B	metal	0,05	72 NBR 902	B1	20444	●
220,00	250,00	15,00	C	metal	0,05	72 NBR 902	B2U	23421	●
220,00	250,00	15,00	C	metal	0,05	75 FKM 595	B2U	433549	○
220,00	250,00	15,00	A	grooved	0,05	75 FKM 585	BAUMX7	435004	●
220,00	250,00	15,00	AS	grooved	0,05	75 FKM 585	BAUMSLX7	468763	●
220,00	250,00	15,00	CS	metal	0,05	72 NBR 902	B2USL	478509	●
220,00	250,00	15,00	C	metal	0,05	72 NBR 902	B2U	478510	●
220,00	250,00	15,00	AS	grooved	0,05	72 NBR 902	BAUSLX7	49027671	●

● Available from stock ○ On request: Tool is available, delivery at short notice * → Diagram 2, page 18

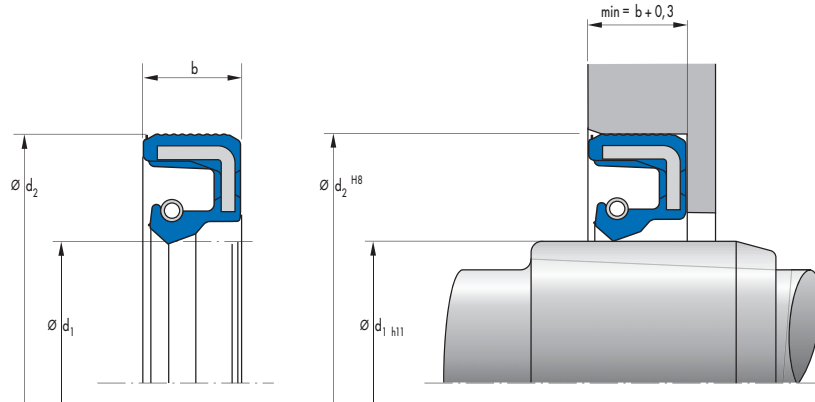


d_1	d_2	b	DIN 3761	Outer surface	Pressure	Material	Type	Article No.	
220,00	250,00	15,00	A	grooved	0,02	72 NBR 902	BAUX7	49027702	●
220,00	250,00	16,00	BS	metal	0,05	72 NBR 902	B1SL	21153	●
220,00	270,00	15,00	C	metal	0,05	72 NBR 902	B2	23714	●
225,00	250,00	16,00	C	metal	0,05	72 NBR 902	B2	22834	●
225,00	270,00	16,00	C	metal	0,05	72 NBR 902	B2	23715	●
230,00	250,00	8,00	A	smooth	un-pressurised	72 NBR 902	BAOF	316204	●
230,00	255,00	10,00	B	metal	0,05	72 NBR 902	B1	20441	●
230,00	255,00	15,00	A	smooth	0,05	72 NBR 902	BAUX2	49020472	●
230,00	260,00	15,00	A	smooth	0,05	72 NBR 902	BA	14221	●
230,00	260,00	15,00	B	metal	0,05	72 NBR 902	B1	20859	●
230,00	260,00	15,00	C	metal	0,05	72 NBR 902	B2	2555	●
230,00	260,00	15,00	AS	smooth	0,05	72 NBR 902	BASL	28250	●
230,00	260,00	15,00	A	grooved	0,05	75 FKM 585	BAUMX7	412593	●
230,00	260,00	15,00	AS	grooved	0,05	75 FKM 585	BAUMSLX7	520231	●
230,00	260,00	15,00	C	metal	0,05	75 FKM 595	B2	83032	○
230,00	270,00	15,00	C	metal	0,05	72 NBR 902	B2	23718	●
230,00	270,00	16,00	B	metal	0,05	72 NBR 902	B1U	20446	●
230,00	280,00	16,00	C	metal	0,05	72 NBR 902	B2	23719	●
235,00	270,00	16,00	C	metal	0,05	72 NBR 902	B2U	23720	●
240,00	270,00	8,50	AS	smooth	*	72 NBR 902	BABSL	412661	●
240,00	270,00	8,50	AS	smooth	*	75 FKM 595	BABSL	430275	●
240,00	270,00	15,00	B	metal	0,05	72 NBR 902	B1	27251	●
240,00	270,00	15,00	A	smooth	0,05	75 FKM 585	BAUM	414150	●
240,00	270,00	15,00	CS	metal	0,05	72 NBR 902	B2USL	478504	●
240,00	270,00	15,00	C	metal	0,05	72 NBR 902	B2U	478505	●
240,00	270,00	15,00	AS	smooth	0,05	72 NBR 902	BAUSLX2	478705	●
240,00	270,00	15,00	A	smooth	0,05	72 NBR 902	BAUX2	478706	○
240,00	270,00	15,00	AS	grooved	0,05	75 FKM 585	BAUMSLX7	520694	●
240,00	270,00	15,00	C	metal	0,05	75 FKM 585	B2U	67082	○
240,00	270,00	15,00	A	smooth	0,05	72 NBR 902	BAU	9592	●
240,00	280,00	16,00	C	metal	0,05	72 NBR 902	B2	23722	●
240,00	280,00	16,00	C	metal	0,05	75 FKM 585	B2	455906	○
240,00	290,00	16,00	C	metal	0,05	72 NBR 902	B2	23723	●
245,00	270,00	16,00	C	metal	0,05	72 NBR 902	B2U	23708	●
250,00	280,00	15,00	B	metal	0,05	72 NBR 902	B1	12086	●
250,00	280,00	15,00	A	smooth	0,05	75 FKM 585	BAUM	142223	○

● Available from stock ○ On request: Tool is available, delivery at short notice * → Diagram 2, page 18

d ₁	d ₂	b	DIN 3761	Outer surface	Pressure	Material	Type	Article No.	
250,00	280,00	15,00	C	metal	0,05	72 NBR 902	B2	2563	●
250,00	280,00	15,00	C	metal	0,05	75 FKM 585	B2	330565	○
250,00	280,00	15,00	A	smooth	0,05	72 NBR 902	BA	38350	●
250,00	280,00	15,00	CS	metal	0,05	72 NBR 902	B2SL	478501	●
250,00	280,00	15,00	C	metal	0,05	72 NBR 902	B2U	478503	●
250,00	280,00	15,00	AS	smooth	0,05	72 NBR 902	BAUSLX2	478708	●
250,00	280,00	15,00	A	grooved	0,05	75 FKM 585	BAUMX7	49035578	○
250,00	280,00	15,00	AS	grooved	0,05	75 FKM 585	BAUMSLX7	520695	●
250,00	280,00	16,00	C	metal	0,05	72 NBR 902	B2	23725	●
250,00	290,00	16,00	C	metal	0,05	72 NBR 902	B2	23726	●
255,00	290,00	12,00	A	smooth	0,05	72 NBR 902	BAU	303665	●
255,00	290,00	16,00	C	metal	0,05	72 NBR 902	B2U	23727	●
260,00	280,00	10,00	AS	smooth	*	72 NBR 902	BABSL	407571	●
260,00	280,00	10,00	AS	smooth	*	75 FKM 595	BABSL	520246	●
260,00	280,00	16,00	C	metal	0,05	72 NBR 902	B2	25363	●
260,00	290,00	16,00	C	metal	0,05	72 NBR 902	B2U	23728	●
260,00	290,00	16,00	C	metal	0,05	75 FKM 595	B2	301481	○
260,00	300,00	20,00	B	metal	0,05	72 NBR 902	B1U	2564	●
260,00	300,00	20,00	C	metal	0,05	72 NBR 902	B2	31706	●
260,00	300,00	20,00	AS	grooved	0,05	75 FKM 585	BAUMSLX7	520696	●
260,00	310,00	16,00	C	metal	0,05	72 NBR 902	B2U	23729	●
265,00	290,00	16,00	C	metal	0,05	72 NBR 902	B2U	23746	●
265,00	290,00	16,00	C	metal	0,05	75 FKM 595	B2	387240	○
265,00	310,00	16,00	C	metal	0,05	72 NBR 902	B2	23731	●
270,00	300,00	15,00	A	smooth	0,05	75 FKM 585	BAUM	333308	○
270,00	310,00	16,00	CS	metal	0,05	72 NBR 902	B2USL	150423	●
270,00	310,00	16,00	C	metal	0,05	72 NBR 902	B2	23733	●
270,00	310,00	16,00	A	smooth	0,05	75 FKM 585	BAUM	335347	○
270,00	310,00	16,00	B	metal	0,05	72 NBR 902	B1	359071	●
270,00	310,00	16,00	C	metal	0,05	75 FKM 595	B2	376654	○
275,00	310,00	16,00	C	metal	0,05	72 NBR 902	B2	23734	●
280,00	310,00	16,00	C	metal	0,05	72 NBR 902	B2	23736	●
280,00	320,00	20,00	B	metal	0,05	72 NBR 902	B1	2526	●
280,00	320,00	20,00	C	metal	0,05	72 NBR 902	B2	26356	●
280,00	320,00	20,00	CS	metal	0,05	72 NBR 902	B2USL	304607	●
280,00	320,00	20,00	C	metal	0,05	75 FKM 595	B2	308782	○
280,00	320,00	20,00	AS	grooved	0,05	75 FKM 585	BAUMSLX7	520697	●
285,00	310,00	16,00	C	metal	0,05	72 NBR 902	B2U	23710	●
285,00	325,00	16,00	A	smooth	0,05	72 NBR 902	BA	9600	●
290,00	330,00	16,00	B	metal	0,05	72 NBR 902	B1USL	20449	●
290,00	330,00	18,00	C	metal	0,05	72 NBR 902	B2U	31476	●
300,00	332,00	16,00	C	metal	0,05	72 NBR 902	B2	23750	●
300,00	335,00	18,00	C	metal	0,05	72 NBR 902	B2	23745	●
300,00	340,00	16,00	AS	grooved	0,05	72 NBR 902	BAUSLX7	346539	●
300,00	340,00	16,00	A	smooth	0,05	75 FKM 585	BAUM	530862	○
300,00	340,00	16,00	A	smooth	0,05	72 NBR 902	BA	9603	●
300,00	340,00	20,00	B	metal	0,05	72 NBR 902	B1	13450	●
300,00	340,00	20,00	C	metal	0,05	72 NBR 902	B2	2528	●
300,00	340,00	20,00	AS	smooth	*	72 NBR 902	BABSL	421276	●
300,00	340,00	20,00	C	metal	0,05	75 FKM 595	B2	435428	○

● Available from stock ○ On request: Tool is available, delivery at short notice * → Diagram 2, page 18



d_1	d_2	b	DIN 3761	Outer surface	Pressure	Material	Type	Article No.	
300,00	340,00	20,00	AS	grooved	0,05	75 FKM 585	BAUMSLX7	520698	●
310,00	350,00	18,00	C	metal	0,05	72 NBR 902	B2	25369	●
310,00	350,00	18,00	C	metal	0,05	75 FKM 595	B2	389112	○
315,00	355,00	18,00	C	metal	0,05	72 NBR 902	B2	23737	●
315,00	365,00	20,00	C	metal	0,05	75 FKM 595	B2U	126441	○
315,00	365,00	20,00	C	metal	0,05	72 NBR 902	B2	23531	●
320,00	340,00	10,00	B	metal	un-pressurised	72 NBR 902	B1 OF	429045	○
320,00	350,00	18,00	C	metal	0,05	72 NBR 902	B2	34939	●
320,00	360,00	18,00	C	metal	0,05	72 NBR 902	B2	23738	●
320,00	360,00	18,00	C	metal	0,05	75 FKM 595	B2	424128	○
320,00	360,00	20,00	B	metal	0,05	72 NBR 902	B1	17866	●
320,00	360,00	20,00	C	metal	0,05	72 NBR 902	B2	2530	●
320,00	360,00	20,00	A	smooth	0,05	75 FKM 595	BAUM	324209	○
320,00	360,00	20,00	C	metal	0,05	75 FKM 595	B2	459247	○
320,00	360,00	20,00	AS	grooved	0,05	75 FKM 585	BAUMSLX7	520699	●
325,00	365,00	16,00	C	metal	0,05	72 NBR 902	B2	23760	●
330,00	370,00	18,00	C	metal	0,05	72 NBR 902	B2	23739	●
335,00	375,00	18,00	A	smooth	0,05	72 NBR 902	BA	9608	●
340,00	372,00	16,00	C	metal	0,05	72 NBR 902	B2	23754	●
340,00	380,00	18,00	C	metal	0,05	72 NBR 902	B2	23740	●
340,00	380,00	20,00	C	metal	0,05	75 FKM 585	B2	126482	○
340,00	380,00	20,00	C	metal	0,05	72 NBR 902	B2	2531	●
340,00	380,00	20,00	B	metal	0,05	72 NBR 902	B1	31645	●
340,00	380,00	20,00	A	grooved	0,05	75 FKM 585	BAUMX7	522482	○
340,00	380,00	20,00	AS	grooved	0,05	75 FKM 585	BAUMSLX7	523042	●
350,00	380,00	16,00	B	metal	0,05	72 NBR 902	B1	20447	●
350,00	390,00	18,00	C	metal	0,05	72 NBR 902	B2	23741	●
360,00	392,00	20,00	C	metal	0,05	72 NBR 902	B2	25510	●
360,00	400,00	18,00	C	metal	0,05	72 NBR 902	B2	23711	●
360,00	400,00	20,00	C	metal	0,05	75 FKM 595	B2	102925	○
360,00	400,00	20,00	B	metal	0,05	72 NBR 902	B1	2533	●
360,00	400,00	20,00	C	metal	0,05	72 NBR 902	B2	31739	●
365,00	405,00	18,00	C	metal	0,05	72 NBR 902	B2	23749	●
380,00	420,00	20,00	C	metal	0,05	75 FKM 585	B2	117105	○
380,00	420,00	20,00	C	metal	0,05	72 NBR 902	B2	2535	●
380,00	420,00	20,00	B	metal	0,05	72 NBR 902	B1	31667	●

● Available from stock ○ On request: Tool is available, delivery at short notice * → Diagram 2, page 18

d ₁	d ₂	b	DIN 3761	Outer surface	Pressure	Material	Type	Article No.	
380,00	430,00	19,00	C	metal	0,05	72 NBR 902	B2	25375	●
390,00	430,00	18,00	C	metal	0,05	72 NBR 902	B2	3565	●
394,00	420,00	16,00	AS	smooth	0,05	72 NBR 902	BASL	528215	●
394,00	420,00	16,00	A	smooth	0,05	72 NBR 902	BA	9611	●
395,00	430,00	18,00	C	metal	0,05	72 NBR 902	B2	23743	●
400,00	425,00	15,00	A	smooth	0,05	72 NBR 902	BA	355085	●
400,00	440,00	20,00	C	metal	0,05	72 NBR 902	B2	25377	●
400,00	440,00	20,00	B	metal	0,05	72 NBR 902	B1	31653	●
400,00	440,00	20,00	C	metal	0,05	75 FKM 595	B2	437815	○
400,00	450,00	20,00	A	smooth	0,05	72 NBR 902	BA	10569	●
420,00	460,00	20,00	C	metal	0,05	72 NBR 902	B2	23759	●
420,00	460,00	20,00	B	metal	0,05	72 NBR 902	B1	31668	●
420,00	460,00	20,00	A	smooth	0,05	75 FKM 585	BAUM	346641	○
420,00	460,00	20,00	C	metal	0,05	75 FKM 595	B2	428983	○
420,00	460,00	20,00	C	metal	0,05	75 FKM 595	B2	49011887	●
440,00	470,00	20,00	C	metal	0,05	72 NBR 902	B2	23748	●
440,00	480,00	20,00	B	metal	0,05	72 NBR 902	B1	2536	●
440,00	480,00	20,00	C	metal	0,05	72 NBR 902	B2	31751	●
440,00	480,00	20,00	B	metal	0,05	75 FKM 595	B1	429204	○
448,00	480,00	15,00	A	smooth	0,05	75 FKM 585	BAUM	451881	○
460,00	500,00	20,00	C	metal	0,05	72 NBR 902	B2	2539	●
460,00	500,00	20,00	B	metal	0,05	72 NBR 902	B1	31700	●
460,00	500,00	20,00	B	metal	0,05	75 FKM 585	B1	477548	○
467,00	510,00	20,00	C	metal	0,05	72 NBR 902	B2	23753	●
480,00	520,00	20,00	A	smooth	0,05	72 NBR 902	BA	10579	●
480,00	520,00	20,00	C	metal	0,05	72 NBR 902	B2	19783	●
480,00	520,00	20,00	B	metal	0,05	72 NBR 902	B1	31702	●
480,00	520,00	20,00	A	smooth	0,05	75 FKM 595	BAUM	49008731	○
500,00	540,00	20,00	C	metal	0,05	72 NBR 902	B2	2544	●
500,00	540,00	20,00	B	metal	0,05	72 NBR 902	B1	31704	●
500,00	540,00	20,00	B	metal	0,05	75 FKM 595	B1	430099	○
500,00	550,00	20,00	A	smooth	0,05	80 NBR 709	BAU	10580	●
530,00	580,00	20,00	C	metal	0,05	72 NBR 902	B2	105909	○
530,00	580,00	20,00	A	smooth	0,05	75 FKM 585	BAUM	49013753	○
540,00	585,00	30,00	A	smooth	0,05	72 NBR 902	BADUO	319550	○
560,00	610,00	20,00	A	smooth	0,05	80 NBR 709	BA	10582	●
560,00	610,00	20,00	A	smooth	0,05	75 FKM 595	BAUM	425242	○
600,00	640,00	20,00	C	metal	0,05	80 NBR 709	B2	23692	●
600,00	640,00	20,00	A	smooth	0,05	72 NBR 902	BA	307130	●
630,00	670,00	20,00	B	metal	0,05	75 FKM 595	B1USL	432655	○
640,00	680,00	20,00	C	metal	0,05	72 NBR 902	B2U	387666	●
650,00	690,00	20,00	C	metal	0,05	72 NBR 902	B2	88794	○
670,00	710,00	20,00	C	metal	0,05	72 NBR 902	B2	150313	○
680,00	730,00	20,00	C	metal	0,05	75 FKM 595	B2	435412	○
710,00	760,00	20,00	C	metal	0,05	80 NBR 709	B2	23684	●
760,00	800,00	20,00	C	metal	0,05	72 NBR 902	B2U	388786	○
760,00	800,00	20,00	A	smooth	0,05	75 FKM 585	BAUM	437124	○
799,00	860,00	25,00	C	metal	0,05	72 NBR 902	B2	125558	○
810,00	850,00	20,00	A	smooth	0,05	75 FKM 585	BAUM	436090	○
930,00	990,00	25,00	C	metal	0,05	72 NBR 902	B2	306488	○

● Available from stock ○ On request: Tool is available, delivery at short notice * → Diagram 2, page 18

Simmerring B1.../SL to DIN 3761 B/BS

Simmerring B1FUD, B1FUDSL, B1U, B1USL, B1, B1SL

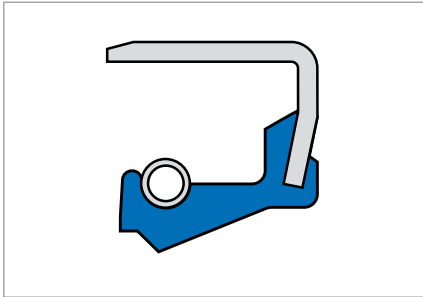


Fig. 1 Simmerring B1FUD NBR

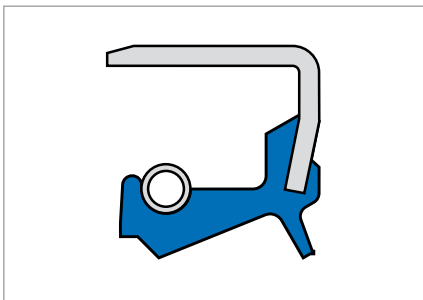


Fig. 2 Simmerring B1FUDSL NBR

Product advantages

- Broad range of applications in every sector of industry
- Metal housing for especially firm and precise seating in the bore.
(Note: limited static sealing on the outer casing for low viscosity and gaseous media)
- Additional dust lip as additional seal against moderate to medium dust and dirt ingress from outside (B1FUDSL).
(Note: can lead to temperature increase from frictional heat).

Application

- Industrial gearboxes
- Axles (when subject to moderate dirt)
- Power tools.

Material

Acrylonitrile-butadiene rubber

Code	72 NBR 902
Colour	Blue
Hardness	72 Shore A
Metal housing	Unalloyed steel DIN EN 10027-1
Spring	Spring steel DIN EN 10270-1

75 FKM 585 and 75 FKM 595 on enquiry.

Product description

- Outer casing: metal, machined
- Spring-loaded sealing lip
- Additional dust lip (B1...SL)
- Sealing lip profile, sealing lip machined on the front face
- Sealing lip profile, finished sealing lip (B1FUD/B1FUDSL).

Operating conditions

Media	Mineral oils, synthetic oils*, greases
T	-40 ... +100 °C short term up to... +120 °C
v	<p>Permissible circumferential speed for Simmerrings made from the materials NBR (72 NBR 902) and FKM (75 FKM 585) for the sealing of motor oil SAE 20. Use Simmerring® with SL (dust lip): v = max. 8 m/s.</p>
p	up to 0,05 MPa/0,5 bar up to 0,02 MPa/0,2 bar (B1FUD/B1FUDSL)

* With synthetic oils (polyalkylene glycols/polyalphaolefins, → Technical Manual synthetic lubricants) it is to be noted that the maximum operating temperature of 80 °C must not be exceeded.

Max. permissible values depend on the other operating conditions.

Fitting & installation

Shaft

Tolerance	ISO h 11
Runout	IT 8
Roughness	$R_a = 0,2 \dots 0,8 \mu\text{m}$
	$R_z = 1,0 \dots 5,0 \mu\text{m}$
	$R_{max} = <6,3 \mu\text{m}$
Hardness	45 ... 60 HRC
Finish	No lead; preferably plunge ground

Housing bore

Tolerance	ISO H8
Roughness metal outer surface OD	$R_z = 6,3 \dots 16 \mu\text{m}$

Careful fitting according to DIN 3760 is a prerequisite for the correct function of the seal → Technical Manual.

Range of dimensions for shafts-Ø d₁

Simmerring B1...	5 ... 500 mm
Simmerring B1...SL	12 ... 290 mm

Article list

d ₁	d ₂	b	DIN 3761	Outer surface	Pressure	Material	Type	Article No.	
5	16	7	B	metal	0,05	72 NBR 902	B1U	19267	●
6	16	7	B	metal	0,05	75 FKM 585	B1	18256	○
6	16	7	B	metal	0,02	72 NBR 902	B1FUD	470997	●
7	16	7	B	metal	0,05	72 NBR 902	B1	7797	●
8	16	7	B	metal	0,02	72 NBR 902	B1FUD	428761	●
8	22	7	B	metal	0,05	72 NBR 902	B1U	19274	●
8	24	7	B	metal	0,05	72 NBR 902	B1	19276	●
8	28	7	B	metal	0,05	72 NBR 902	B1	19277	●
9	17	4,5	B	metal	0,05	72 NBR 902	B1	19279	●
9	19	5	B	metal	0,05	72 NBR 902	B1U	19280	●
9	22	7	B	metal	0,05	72 NBR 902	B1U	19281	●
10	16	4	B	metal	0,02	72 NBR 902	B1FUD	477154	●
10	19	7	B	metal	0,02	72 NBR 902	B1FUD	428763	●
10	22	7	B	metal	0,05	72 NBR 902	B1U	19288	●
10	24	7	B	metal	0,05	72 NBR 902	B1	19290	●
10	26	7	B	metal	0,05	72 NBR 902	B1U	19291	●
11	17	4	B	metal	0,05	72 NBR 902	B1	32193	●
11	22	7	B	metal	0,05	72 NBR 902	B1U	2487	●
12	18	4,5	BS	metal	0,02	72 NBR 902	B1FUDSL	379715	●
12	20	5	B	metal	0,05	72 NBR 902	B1	20296	●
12	22	7	B	metal	0,05	72 NBR 902	B1	19299	●
12	24	7	B	metal	0,05	72 NBR 902	B1	7809	●
12	28	7	B	metal	0,05	72 NBR 902	B1	7819	●
12	30	7	B	metal	0,05	72 NBR 902	B1	2673	●
12	32	5	B	metal	0,05	72 NBR 902	B1	19303	●
12	32	7	B	metal	0,05	72 NBR 902	B1	19304	●
13	20	4	B	metal	0,05	72 NBR 902	B1	23833	●
13	22	5	B	metal	0,05	72 NBR 902	B1	19306	●
13	26	7	B	metal	0,05	72 NBR 902	B1U	19307	●
14	24	7	B	metal	0,05	72 NBR 902	B1	7831	●
14	25	7	B	metal	0,05	72 NBR 902	B1	21702	●
14	26	7	B	metal	0,05	72 NBR 902	B1	19311	●
14	28	7	B	metal	0,05	72 NBR 902	B1U	7839	●
14	30	7	B	metal	0,05	72 NBR 902	B1	2680	●
14	32	7	B	metal	0,05	72 NBR 902	B1U	19313	●
15	24	7	BS	metal	0,05	72 NBR 902	B1SL	3482	●
15	24	7	B	metal	0,02	72 NBR 902	B1FUD	428760	●
15	26	7	B	metal	0,05	72 NBR 902	B1	7878	●
15	28	7	B	metal	0,02	72 NBR 902	B1FUD	335083	●
15	30	7	B	metal	0,02	72 NBR 902	B1FUD	335085	●
15	30	8	B	metal	0,05	72 NBR 902	B1U	24287	●
15	30	10	BS	metal	0,05	72 NBR 902	B1SL	20254	●
15	32	7	B	metal	0,02	72 NBR 902	B1FUD	335087	●
15	35	7	B	metal	0,05	72 NBR 902	B1U	3098	●
15	35	7	BS	metal	0,02	72 NBR 902	B1FUDSL	436749	●
15	35	10	B	metal	0,05	72 NBR 902	B1U	8014	●
15	37	10	B	metal	0,05	72 NBR 902	B1	8017	●
16	24	6	B	metal	0,05	72 NBR 902	B1	20397	●
16	24	7	B	metal	0,05	72 NBR 902	B1	22979	●

● Available from stock ○ On request: Tool is available, delivery at short notice

d ₁	d ₂	b	DIN 3761	Outer surface	Pressure	Material	Type	Article No.	
16	26	7	B	metal	0,05	72 NBR 902	B1	19325	●
16	26	7	B	metal	0,05	72 NBR 902	B1USL	49001664	●
16	28	7	B	metal	0,02	72 NBR 902	B1FUD	335088	●
16	30	6	B	metal	0,02	72 NBR 902	B1FUD	355469	●
16	30	7	B	metal	0,05	72 NBR 902	B1	19328	●
16	30	10	B	metal	0,05	72 NBR 902	B1	19686	●
16	32	7	B	metal	0,05	72 NBR 902	B1U	11420	●
16	35	7	B	metal	0,05	72 NBR 902	B1	2748	●
16	35	10	B	metal	0,02	72 NBR 902	B1FUD	458568	●
17	28	6	B	metal	0,05	72 NBR 902	B1	19330	●
17	28	7	B	metal	0,05	72 NBR 902	B1USL	20066	●
17	28	7	B	metal	0,02	72 NBR 902	B1FUD	335089	●
17	30	7	B	metal	0,02	72 NBR 902	B1FUD	334378	●
17	30	10	B	metal	0,05	72 NBR 902	B1U	19334	●
17	32	7	B	metal	0,05	72 NBR 902	B1U	2749	●
17	34	4	B	metal	0,05	72 NBR 902	B1	7893	●
17	35	7	B	metal	0,02	72 NBR 902	B1FUD	334937	●
17	35	8	B	metal	0,02	72 NBR 902	B1FUD	334938	●
17	35	10	B	metal	0,02	72 NBR 902	B1FUD	335091	●
17	40	7	B	metal	0,05	72 NBR 902	B1U	8019	●
17	40	10	B	metal	0,05	72 NBR 902	B1U	19692	●
18	24	4	B	metal	0,05	72 NBR 902	B1	11350	●
18	28	7	B	metal	0,05	72 NBR 902	B1U	20888	●
18	30	7	B	metal	0,02	72 NBR 902	B1FUD	335092	●
18	30	7	BS	metal	0,05	72 NBR 902	B1SL	361194	●
18	32	7	B	metal	0,05	72 NBR 902	B1	19345	●
18	35	7	B	metal	0,05	72 NBR 902	B1U	2488	●
19	27	6	B	metal	0,05	72 NBR 902	B1U	23774	●
19	32	7	B	metal	0,05	72 NBR 902	B1	19346	●
20	28	6	B	metal	0,05	72 NBR 902	B1	383388	●
20	28	6	B	metal	0,05	72 NBR 902	B1U	520585	●
20	30	5	B	metal	0,02	72 NBR 902	B1FUD	334376	●
20	30	7	B	metal	0,05	75 FKM 595	B1U	329248	○
20	30	7	BS	metal	0,02	72 NBR 902	B1FUDSL	335093	●
20	30	7	B	metal	0,02	72 NBR 902	B1FUD	355461	○
20	32	7	B	metal	0,05	72 NBR 902	B1U	7919	●
20	35	7	BS	metal	0,05	72 NBR 902	B1SL	150731	●
20	35	7	B	metal	0,02	72 NBR 902	B1FUD	532628	●
20	35	10	B	metal	0,05	72 NBR 902	B1U	19698	●
20	35	10	B	metal	0,05	72 NBR 902	B1USL	20070	●
20	37	6	B	metal	0,05	72 NBR 902	B1	19360	●
20	40	7	B	metal	0,05	72 NBR 902	B1	19362	●
20	40	7	B	metal	0,05	72 NBR 902	B1	19363	●
20	40	7	BS	metal	0,05	72 NBR 902	B1SL	34892	●
20	40	10	B	metal	0,05	72 NBR 902	B1	19699	●
20	40	10	B	metal	0,05	72 NBR 902	B1USL	20071	●
20	42	7	B	metal	0,02	72 NBR 902	B1FUD	334381	●
20	42	10	B	metal	0,05	72 NBR 902	B1U	19700	●
20	47	7	B	metal	0,05	72 NBR 902	B1U	210	●
20	47	10	B	metal	0,05	72 NBR 902	B1U	8024	●

● Available from stock ○ On request: Tool is available, delivery at short notice

d ₁	d ₂	b	DIN 3761	Outer surface	Pressure	Material	Type	Article No.	
20	52	7	B	metal	0,05	72 NBR 902	B1U	7790	●
21	30	6,5	B	metal	0,05	72 NBR 902	B1	19369	●
21	32	7	B	metal	0,05	72 NBR 902	B1	19371	●
22	32	6	B	metal	0,05	72 NBR 902	B1U	19376	●
22	32	7	BS	metal	0,05	72 NBR 902	B1SL	20072	●
22	32	7	B	metal	0,02	72 NBR 902	B1FUD	335094	●
22	35	7	B	metal	0,05	72 NBR 902	B1U	19705	●
22	35	7	B	metal	0,05	72 NBR 902	B1USL	20073	●
22	35	8	B	metal	0,05	72 NBR 902	B1	20259	●
22	40	7	B	metal	0,05	72 NBR 902	B1USL	3489	●
22	40	7	B	metal	0,05	72 NBR 902	B1	13976	●
22	40	10	B	metal	0,05	72 NBR 902	B1U	19707	●
22	42	10	B	metal	0,05	72 NBR 902	B1	19708	●
22	47	7	B	metal	0,05	72 NBR 902	B1	2720	●
22	47	10	B	metal	0,05	72 NBR 902	B1U	19709	○
24	32	7	BS	metal	0,05	72 NBR 902	B1SL	20074	●
24	35	7	B	metal	0,05	72 NBR 902	B1	13985	●
24	36	6	B	metal	0,05	72 NBR 902	B1	19388	●
24	37	7	B	metal	0,05	72 NBR 902	B1	7942	●
24	40	7	B	metal	0,05	72 NBR 902	B1U	2721	●
24	47	7	B	metal	0,05	72 NBR 902	B1	2723	●
24	47	10	B	metal	0,05	72 NBR 902	B1U	19713	●
25	32	7	BS	metal	0,02	72 NBR 902	B1FUDSL	335096	●
25	35	7	B	metal	0,02	72 NBR 902	B1FUD	532629	●
25	37	7	B	metal	0,05	72 NBR 902	B1U	19392	●
25	38	7	B	metal	0,05	72 NBR 902	B1	19394	●
25	40	6	B	metal	0,05	72 NBR 902	B1	19395	●
25	40	7	B	metal	0,05	72 NBR 902	B1U	3579	●
25	40	8	B	metal	0,05	72 NBR 902	B1U	19716	●
25	40	10	B	metal	0,05	72 NBR 902	B1U	19717	●
25	42	7	B	metal	0,05	75 FKM 595	B1U	329294	○
25	42	7	B	metal	0,02	72 NBR 902	B1FUD	334379	●
25	42	10	B	metal	0,05	72 NBR 902	B1U	19718	●
25	42	10	B	metal	0,05	72 NBR 902	B1	19719	●
25	42	10	BS	metal	0,05	72 NBR 902	B1SL	20077	●
25	42,9	9,5	B	metal	0,05	72 NBR 902	B1	19720	●
25	45	10	B	metal	0,05	72 NBR 902	B1U	19721	●
25	47	7	B	metal	0,02	72 NBR 902	B1FUD	334939	●
25	47	7	BS	metal	0,02	72 NBR 902	B1FUDSL	355474	●
25	47	8	BS	metal	0,02	72 NBR 902	B1FUDSL	421018	●
25	47	10	B	metal	0,02	72 NBR 902	B1FUD	334940	●
25	47	10	BS	metal	0,02	72 NBR 902	B1FUDSL	334941	●
25	50	10	B	metal	0,05	72 NBR 902	B1U	19723	●
25	52	7	B	metal	0,05	72 NBR 902	B1USL	3494	●
25	52	7	B	metal	0,02	72 NBR 902	B1FUD	334942	●
25	52	8	B	metal	0,02	72 NBR 902	B1FUD	334943	●
25	52	10	B	metal	0,02	72 NBR 902	B1FUD	334944	●
25	52	12	B	metal	0,05	72 NBR 902	B1USL	20123	●
25	52	12	B	metal	0,02	72 NBR 902	B1FUD	334946	●
25	62	7	B	metal	0,05	72 NBR 902	B1U	128732	●

● Available from stock ○ On request: Tool is available, delivery at short notice

d ₁	d ₂	b	DIN 3761	Outer surface	Pressure	Material	Type	Article No.	
25,4	38,08	6,76	BS	metal	0,02	72 NBR 902	B1FUDSL	366325	○
26	35	7	B	metal	0,05	72 NBR 902	B1U	7947	●
26	37	7	B	metal	0,05	72 NBR 902	B1	19407	●
26	42	7	B	metal	0,05	72 NBR 902	B1U	2273	●
26	42	10	B	metal	0,02	72 NBR 902	B1FUD	407513	●
26	42,9	9,5	B	metal	0,05	72 NBR 902	B1	19728	○
26	45	10	B	metal	0,02	72 NBR 902	B1FUD	341006	●
26	52	12	B	metal	0,05	72 NBR 902	B1U	426389	●
27	47	10	B	metal	0,05	72 NBR 902	B1	19731	●
28	38	7	B	metal	0,05	72 NBR 902	B1U	7957	●
28	40	7	B	metal	0,05	72 NBR 902	B1	19410	●
28	40	10	B	metal	0,05	72 NBR 902	B1U	19412	●
28	42	7	B	metal	0,05	72 NBR 902	B1	251	●
28	42	8	B	metal	0,05	72 NBR 902	B1	19413	●
28	42,5	8	B	metal	0,05	72 NBR 902	B1	19732	●
28	42,9	9,5	B	metal	0,05	72 NBR 902	B1	19415	●
28	45	7,5	B	metal	0,05	72 NBR 902	B1U	19416	●
28	47	7	B	metal	0,05	72 NBR 902	B1	2730	●
28	47	10	B	metal	0,05	72 NBR 902	B1	19733	●
28	47	10	BS	metal	0,05	72 NBR 902	B1SL	20126	●
28	52	7	B	metal	0,05	72 NBR 902	B1U	13994	●
30	40	7	B	metal	0,02	72 NBR 902	B1FUD	532630	●
30	42	6	B	metal	0,05	72 NBR 902	B1	20417	●
30	42	7	B	metal	0,02	72 NBR 902	B1FUD	334268	●
30	42	7	BS	metal	0,02	72 NBR 902	B1FUDSL	335097	●
30	44	10	B	metal	0,05	72 NBR 902	B1U	19424	●
30	47	7	B	metal	0,05	72 NBR 902	B1U	39845	●
30	47	7	B	metal	0,05	72 NBR 902	B1U	458251	○
30	47	8	B	metal	0,05	72 NBR 902	B1	7979	●
30	47	8	B	metal	0,05	72 NBR 902	B1USL	150732	●
30	47	10	B	metal	0,05	72 NBR 902	B1U	19737	●
30	47	10	B	metal	0,05	72 NBR 902	B1USL	20127	●
30	48	10	B	metal	0,05	72 NBR 902	B1	19738	●
30	50	7	B	metal	0,02	72 NBR 902	B1FUD	334266	●
30	50	10	B	metal	0,02	72 NBR 902	B1FUD	334655	●
30	50	12	B	metal	0,05	72 NBR 902	B1USL	20129	●
30	50	12	B	metal	0,02	72 NBR 902	B1FUD	334269	●
30	52	7	B	metal	0,02	72 NBR 902	B1FUD	334374	●
30	52	10	B	metal	0,02	72 NBR 902	B1FUD	334686	●
30	52	10	BS	metal	0,02	72 NBR 902	B1FUDSL	355630	●
30	52	12	B	metal	0,05	72 NBR 902	B1USL	20130	●
30	52	12	B	metal	0,02	72 NBR 902	B1FUD	334685	●
30	55	12	B	metal	0,05	72 NBR 902	B1	19745	●
30	62	6	B	metal	0,05	72 NBR 902	B1U	19429	●
30	62	7	BS	metal	0,02	72 NBR 902	B1FUDSL	355466	●
30	62	12	B	metal	0,02	72 NBR 902	B1FUD	334948	●
30	72	8	B	metal	0,05	72 NBR 902	B1U	340620	●
32	42	7	B	metal	0,05	72 NBR 902	B1	19436	●
32	45	7	B	metal	0,02	72 NBR 902	B1FUD	346127	●
32	47	7	B	metal	0,02	72 NBR 902	B1FUD	423370	●

● Available from stock ○ On request: Tool is available, delivery at short notice

d ₁	d ₂	b	DIN 3761	Outer surface	Pressure	Material	Type	Article No.	
32	47	8,5	B	metal	0,05	72 NBR 902	B1U	19440	●
32	47	10	B	metal	0,05	72 NBR 902	B1	19750	●
32	47	10	BS	metal	0,02	72 NBR 902	B1FUDSL	355465	●
32	50	7	B	metal	0,05	72 NBR 902	B1	19443	●
32	52	6,5	BS	metal	0,05	72 NBR 902	B1SL	20085	○
32	52	7	B	metal	0,02	72 NBR 902	B1FUD	355631	●
32	52	10	B	metal	0,02	72 NBR 902	B1FUD	334270	●
32	52	12	BS	metal	0,05	72 NBR 902	B1SL	20132	●
33	55	7	B	metal	0,05	72 NBR 902	B1U	149452	○
34	45	7	B	metal	0,05	72 NBR 902	B1	20275	●
34	47	9	B	metal	0,05	72 NBR 902	B1	19445	●
34	49,3	9,5	B	metal	0,05	72 NBR 902	B1U	19756	●
34	52	7	B	metal	0,05	72 NBR 902	B1	19447	●
34	52	8	B	metal	0,05	72 NBR 902	B1U	19448	●
35	45	7	B	metal	0,02	72 NBR 902	B1FUD	334380	●
35	45	7	BS	metal	0,02	72 NBR 902	B1FUDSL	346129	●
35	47	6	B	metal	0,05	72 NBR 902	B1U	19459	●
35	47	7	BS	metal	0,02	72 NBR 902	B1FUDSL	334280	●
35	47	7	B	metal	0,02	72 NBR 902	B1FUD	355463	●
35	47	10	B	metal	0,05	72 NBR 902	B1U	19463	●
35	49,3	9,5	B	metal	0,05	72 NBR 902	B1U	19464	●
35	50	7	B	metal	0,02	72 NBR 902	B1FUD	335008	●
35	50	10	B	metal	0,02	72 NBR 902	B1FUD	335009	●
35	50	10	BS	metal	0,02	72 NBR 902	B1FUDSL	335099	●
35	50	12	BS	metal	0,05	72 NBR 902	B1SL	20090	●
35	52	7	B	metal	0,02	72 NBR 902	B1FUD	334271	●
35	52	10	B	metal	0,02	72 NBR 902	B1FUD	334272	●
35	52	12	B	metal	0,05	72 NBR 902	B1USL	20135	●
35	52	12	B	metal	0,02	72 NBR 902	B1FUD	334273	●
35	55	12	B	metal	0,05	72 NBR 902	B1	19765	●
35	55,5	9	B	metal	0,05	72 NBR 902	B1U	19467	●
35	56	10	B	metal	0,05	72 NBR 902	B1U	19766	●
35	56	10	B	metal	0,05	72 NBR 902	B1USL	20136	●
35	56	12	B	metal	0,05	72 NBR 902	B1U	19767	●
35	56	12	BS	metal	0,05	72 NBR 902	B1SL	20137	●
35	60	10	B	metal	0,05	72 NBR 902	B1	19769	●
35	62	7	B	metal	0,02	72 NBR 902	B1FUD	335187	●
35	62	8	B	metal	0,02	72 NBR 902	B1FUD	335973	●
35	62	10	B	metal	0,02	72 NBR 902	B1FUD	335974	●
35	62	12	B	metal	0,05	72 NBR 902	B1U	19772	●
35	62	12	B	metal	0,05	72 NBR 902	B1USL	20138	●
35	72	12	B	metal	0,02	72 NBR 902	B1FUD	334956	●
36	47	7	B	metal	0,05	72 NBR 902	B1	20250	●
36	50	7	B	metal	0,05	72 NBR 902	B1	31481	●
36	52	7	B	metal	0,05	72 NBR 902	B1U	19470	●
36	52	7	B	metal	0,05	72 NBR 902	B1U	424793	○
36	52	9	B	metal	0,05	72 NBR 902	B1	19471	●
36	58	10	B	metal	0,05	72 NBR 902	B1	20316	●
37	52	8	B	metal	0,05	75 FKM 595	B1USL	330557	○
37	62	8	B	metal	0,05	72 NBR 902	B1U	425353	○

● Available from stock ○ On request: Tool is available, delivery at short notice

d ₁	d ₂	b	DIN 3761	Outer surface	Pressure	Material	Type	Article No.	
38	50	7	B	metal	0,05	72 NBR 902	B1USL	20093	●
38	50	7	B	metal	0,05	72 NBR 902	B1U	20372	●
38	52	7	B	metal	0,05	72 NBR 902	B1USL	13610	●
38	52	7	B	metal	0,02	72 NBR 902	B1FUD	334371	●
38	52	10	B	metal	0,02	72 NBR 902	B1FUD	334689	●
38	54	10	B	metal	0,05	72 NBR 902	B1	19782	●
38	55	7	B	metal	0,05	72 NBR 902	B1U	2507	●
38	56	12	B	metal	0,05	72 NBR 902	B1	19785	●
38	62	7	B	metal	0,02	72 NBR 902	B1FUD	334957	●
38	62	12	B	metal	0,02	72 NBR 902	B1FUD	334274	●
38,1	57,15	9,5	B	metal	0,05	72 NBR 902	B1U	19476	●
39	52	6,5	B	metal	0,05	72 NBR 902	B1	7990	●
39	55,5	9	B	metal	0,05	72 NBR 902	B1U	19480	●
40	47	4	BS	metal	0,05	72 NBR 902	B1USLX2	49005636	○
40	52	7	B	metal	0,05	72 NBR 902	B1USL	20306	●
40	52	7	B	metal	0,02	72 NBR 902	B1FUD	334276	●
40	52	7	BS	metal	0,02	72 NBR 902	B1FUDSL	355635	●
40	52	12	B	metal	0,05	72 NBR 902	B1	21706	●
40	55	7	B	metal	0,02	72 NBR 902	B1FUD	334372	●
40	55	8	B	metal	0,05	72 NBR 902	B1	19483	●
40	55	9	B	metal	0,05	72 NBR 902	B1USL	126187	●
40	55	10	B	metal	0,02	72 NBR 902	B1FUD	334658	●
40	55,5	9	B	metal	0,05	72 NBR 902	B1U	19484	●
40	56	10	B	metal	0,05	72 NBR 902	B1U	19790	●
40	58	9	B	metal	0,05	72 NBR 902	B1U	19486	●
40	58	9	B	metal	0,05	72 NBR 902	B1USL	20095	●
40	60	10	B	metal	0,05	72 NBR 902	B1U	31466	●
40	60	12	B	metal	0,05	72 NBR 902	B1	19792	●
40	62	7	B	metal	0,02	72 NBR 902	B1FUD	334383	●
40	62	10	B	metal	0,05	72 NBR 902	B1USL	20142	●
40	62	10	B	metal	0,02	72 NBR 902	B1FUD	334385	●
40	62	12	BS	metal	0,05	72 NBR 902	B1SL	20143	●
40	62	12	B	metal	0,02	72 NBR 902	B1FUD	334669	●
40	63,5	9,5	B	metal	0,05	72 NBR 902	B1U	19487	○
40	65	10	B	metal	0,05	72 NBR 902	B1U	19795	●
40	65	12	B	metal	0,05	72 NBR 902	B1U	19796	●
40	68	7	B	metal	0,05	72 NBR 902	B1U	21687	●
40	68	7	B	metal	0,05	72 NBR 902	B1U	49043563	●
40	68	12	B	metal	0,05	72 NBR 902	B1	19797	●
40	72	7	B	metal	0,05	72 NBR 902	B1	2567	●
40	72	12	B	metal	0,05	72 NBR 902	B1	19801	●
42	55	7	B	metal	0,05	72 NBR 902	B1U	19491	●
42	55	8	B	metal	0,05	72 NBR 902	B1U	13997	●
42	55	10	BS	metal	0,05	72 NBR 902	B1SL	29870	●
42	56	7	B	metal	0,05	72 NBR 902	B1	7994	●
42	58	9	B	metal	0,05	72 NBR 902	B1	19494	●
42	60	10	B	metal	0,05	72 NBR 902	B1U	19804	●
42	62	7	BS	metal	0,05	72 NBR 902	B1SL	4004	●
42	62	7	B	metal	0,05	72 NBR 902	B1U	19495	●
42	62	8	B	metal	0,05	72 NBR 902	B1U	14004	●

● Available from stock ○ On request: Tool is available, delivery at short notice

d ₁	d ₂	b	DIN 3761	Outer surface	Pressure	Material	Type	Article No.	
42	62	8	B	metal	0,05	72 NBR 902	B1U	427798	○
42	62	10	B	metal	0,05	72 NBR 902	B1U	19806	●
42	62	12	B	metal	0,05	72 NBR 902	B1U	19807	●
42	62	12	B	metal	0,05	72 NBR 902	B1USL	31467	●
42	65	10	B	metal	0,05	72 NBR 902	B1U	19810	●
42	65	12	B	metal	0,05	72 NBR 902	B1U	19811	●
42	72	8	B	metal	0,02	72 NBR 902	B1FUD	334958	●
42	72	12	B	metal	0,02	72 NBR 902	B1FUD	334959	●
43	58	7,5	B	metal	0,05	72 NBR 902	B1U	21189	●
43	58	7,5	B	metal	0,05	72 NBR 902	B1U	426412	○
43	63,5	9,5	B	metal	0,05	72 NBR 902	B1U	19500	●
44	65	10	B	metal	0,05	72 NBR 902	B1	19815	●
44,45	63,5	7,94	B	metal	0,05	72 NBR 902	B1U	3520	●
45	55	7	B	metal	0,02	72 NBR 902	B1FUD	334386	●
45	60	6	B	metal	0,05	72 NBR 902	B1USL	102203	○
45	60	7	B	metal	0,02	72 NBR 902	B1FUD	335101	●
45	60	7	BS	metal	0,02	72 NBR 902	B1FUDSL	335102	●
45	60	8	B	metal	0,02	72 NBR 902	B1FUD	334384	●
45	60	10	B	metal	0,05	72 NBR 902	B1U	19821	○
45	60	10	B	metal	0,02	72 NBR 902	B1FUD	334679	●
45	62	7	B	metal	0,05	72 NBR 902	B1	19504	●
45	62	8	B	metal	0,05	72 NBR 902	B1U	2499	●
45	62	8	B	metal	0,05	72 NBR 902	B1USL	523595	●
45	62	10	B	metal	0,05	72 NBR 902	B1U	19822	●
45	62	12	B	metal	0,05	72 NBR 902	B1U	19823	●
45	65	8	B	metal	0,02	72 NBR 902	B1FUD	334645	●
45	65	10	BS	metal	0,02	72 NBR 902	B1FUDSL	334275	●
45	65	10	B	metal	0,02	72 NBR 902	B1FUD	334644	●
45	65	12	B	metal	0,02	72 NBR 902	B1FUD	334646	●
45	70	12	B	metal	0,05	72 NBR 902	B1U	19827	●
45	72	7	B	metal	0,05	72 NBR 902	B1U	19505	●
45	72	8	B	metal	0,02	72 NBR 902	B1FUD	334961	●
45	72	10	B	metal	0,02	72 NBR 902	B1FUD	334277	●
45	72	12	BS	metal	0,05	72 NBR 902	B1SL	20147	●
45	72	12	B	metal	0,02	72 NBR 902	B1FUD	334928	●
45	80	13	B	metal	0,05	72 NBR 902	B1	19831	●
45	80	13	B	metal	0,05	72 NBR 902	B1USL	20148	●
45	85	10	B	metal	0,05	72 NBR 902	B1U	19832	●
46	60	7	B	metal	0,05	72 NBR 902	B1U	19506	●
47	72	12	B	metal	0,05	72 NBR 902	B1	19836	●
48	62	8	B	metal	0,02	72 NBR 902	B1FUD	335103	●
48	62	10	B	metal	0,05	72 NBR 902	B1U	19511	●
48	65	10	B	metal	0,05	72 NBR 902	B1U	19837	●
48	65	10	B	metal	0,05	72 NBR 902	B1	12011331	○
48	69	12	B	metal	0,05	72 NBR 902	B1U	19840	●
48	72	7	BS	metal	0,02	72 NBR 902	B1FUDSL	348354	●
48	72	8	B	metal	0,05	72 NBR 902	B1	14027	●
48	72	8	B	metal	0,02	72 NBR 902	B1FUD	427015	○
48	72	12	B	metal	0,05	72 NBR 902	B1	20265	●
48	80	8	B	metal	0,05	72 NBR 902	B1U	424798	○

● Available from stock ○ On request: Tool is available, delivery at short notice

d ₁	d ₂	b	DIN 3761	Outer surface	Pressure	Material	Type	Article No.	
50	62	6	B	metal	0,05	72 NBR 902	B1USL	38786	○
50	62	7	B	metal	0,02	72 NBR 902	B1FUD	532631	●
50	62	10	B	metal	0,02	72 NBR 902	B1FUD	335124	●
50	65	8	B	metal	0,02	72 NBR 902	B1FUD	334393	●
50	65	8	BS	metal	0,02	72 NBR 902	B1FUDSL	532632	●
50	65	10	B	metal	0,05	72 NBR 902	B1U	19520	●
50	66	10	B	metal	0,05	72 NBR 902	B1	19521	●
50	68	8	B	metal	0,05	72 NBR 902	B1U	2600	●
50	68	8	BS	metal	0,02	72 NBR 902	B1FUDSL	438769	○
50	68	10	B	metal	0,05	72 NBR 902	B1U	19843	●
50	68	14	B	metal	0,05	72 NBR 902	B1	19844	●
50	70	10	B	metal	0,02	72 NBR 902	B1FUD	334394	●
50	70	12	B	metal	0,02	72 NBR 902	B1FUD	334672	●
50	72	8	B	metal	0,02	72 NBR 902	B1FUD	335105	●
50	72	10	BS	metal	0,02	72 NBR 902	B1FUDSL	335106	●
50	72	10	B	metal	0,02	72 NBR 902	B1FUD	356350	●
50	72	12	B	metal	0,02	72 NBR 902	B1FUD	356347	●
50	75	9	B	metal	0,05	72 NBR 902	B1	19849	●
50	80	8	B	metal	0,02	72 NBR 902	B1FUD	334929	●
50	80	10	B	metal	0,02	72 NBR 902	B1FUD	334930	●
50	80	13	B	metal	0,05	72 NBR 902	B1	19851	○
50	90	10	B	metal	0,05	72 NBR 902	B1	19853	●
50	90	10	B	metal	0,05	72 NBR 902	B1U	426908	○
50,8	76,2	9,5	B	metal	0,05	72 NBR 902	B1	19855	●
52	68	7	B	metal	0,05	72 NBR 902	B1U	19522	●
52	68	7	BS	metal	0,02	72 NBR 902	B1FUDSL	355473	●
52	68	8	B	metal	0,05	72 NBR 902	B1U	19523	●
52	72	8	B	metal	0,05	72 NBR 902	B1	2655	●
52	72	10	B	metal	0,05	72 NBR 902	B1	19857	●
52	72	12	B	metal	0,05	72 NBR 902	B1U	19859	●
52	72	12	B	metal	0,05	72 NBR 902	B1USL	20310	●
52	80	13	BS	metal	0,05	72 NBR 902	B1SL	20151	●
53,98	73,03	6,4	B	metal	0,05	72 NBR 902	B1	18428	●
54	70	10	B	metal	0,05	72 NBR 902	B1U	21249	●
55	70	8	BS	metal	0,02	72 NBR 902	B1FUDSL	334395	●
55	70	8	B	metal	0,02	72 NBR 902	B1FUD	335111	●
55	72	8	B	metal	0,02	72 NBR 902	B1FUD	334676	●
55	72	10	B	metal	0,02	72 NBR 902	B1FUD	334370	●
55	72	10	BS	metal	0,02	72 NBR 902	B1FUDSL	335113	●
55	72	12	BS	metal	0,02	72 NBR 902	B1FUDSL	334279	●
55	72	12	B	metal	0,02	72 NBR 902	B1FUD	334675	●
55	75	12	B	metal	0,02	72 NBR 902	B1FUD	334931	●
55	80	8	B	metal	0,05	72 NBR 902	B1U	526428	●
55	80	10	B	metal	0,05	72 NBR 902	B1U	19865	●
55	80	13	B	metal	0,05	72 NBR 902	B1U	19866	●
55	80	13	BS	metal	0,02	72 NBR 902	B1FUDSL	334396	●
55	85	8	B	metal	0,05	72 NBR 902	B1	2659	●
55	85	13	B	metal	0,05	72 NBR 902	B1U	19868	●
56	70	8	B	metal	0,05	72 NBR 902	B1	28930	●
56	72	8	B	metal	0,05	72 NBR 902	B1U	19530	●

● Available from stock ○ On request: Tool is available, delivery at short notice

d ₁	d ₂	b	DIN 3761	Outer surface	Pressure	Material	Type	Article No.	
56	80	10	B	metal	0,05	72 NBR 902	B1U	19870	●
57	72	9	B	metal	0,05	72 NBR 902	B1USL	520586	●
57	90	13	B	metal	0,05	72 NBR 902	B1U	19873	●
57,15	82,55	9,5	B	metal	0,05	72 NBR 902	B1U	19874	●
58	72	8	B	metal	0,02	72 NBR 902	B1FUD	335183	●
58	80	8	B	metal	0,05	72 NBR 902	B1U	14049	●
58	80	13	B	metal	0,05	72 NBR 902	B1U	19875	●
60	70	7	B	metal	0,05	72 NBR 902	B1	18349	●
60	72	7	BS	metal	0,02	72 NBR 902	B1FUDSL	532633	●
60	72	7	B	metal	0,02	72 NBR 902	B1FUD	532634	●
60	72	8	B	metal	0,02	72 NBR 902	B1FUD	334397	●
60	75	8	BS	metal	0,02	72 NBR 902	B1FUDSL	334398	●
60	75	8	B	metal	0,02	72 NBR 902	B1FUD	355634	●
60	78	10	B	metal	0,05	72 NBR 902	B1	19878	●
60	80	8	B	metal	0,02	72 NBR 902	B1FUD	335117	●
60	80	10	B	metal	0,05	72 NBR 902	B1U	349	○
60	80	10	B	metal	0,02	72 NBR 902	B1FUD	334399	●
60	80	12	B	metal	0,05	72 NBR 902	B1USL	32991	●
60	80	12	B	metal	0,02	72 NBR 902	B1FUD	334932	●
60	80	13	BS	metal	0,05	72 NBR 902	B1SL	20158	●
60	80	13	B	metal	0,02	72 NBR 902	B1FUD	334933	●
60	85	8	B	metal	0,02	72 NBR 902	B1FUD	334400	●
60	85	13	B	metal	0,02	72 NBR 902	B1FUD	334401	●
60	85	13	BS	metal	0,02	72 NBR 902	B1FUDSL	346132	●
60	90	8	B	metal	0,02	72 NBR 902	B1FUD	334667	●
60	90	10	B	metal	0,05	72 NBR 902	B1USL	20160	●
60	90	10	B	metal	0,02	72 NBR 902	B1FUD	334666	●
60	90	12	B	metal	0,02	72 NBR 902	B1FUD	334665	●
60	90	13	B	metal	0,05	72 NBR 902	B1USL	20161	●
60	90	13	B	metal	0,02	72 NBR 902	B1FUD	396861	●
61	75	8	B	metal	0,05	72 NBR 902	B1	19542	●
62	75	10	B	metal	0,05	72 NBR 902	B1	21017	●
62	85	10	B	metal	0,05	72 NBR 902	B1	19889	●
62	90	10	B	metal	0,05	72 NBR 902	B1	31506	●
62	90	13	B	metal	0,05	72 NBR 902	B1U	19890	●
62	95	13	B	metal	0,05	72 NBR 902	B1U	19891	●
63	85	10	B	metal	0,05	72 NBR 902	B1	18195	●
64	80	8	B	metal	0,05	72 NBR 902	B1	121796	●
64	90	13	B	metal	0,05	72 NBR 902	B1USL	20108	●
65	80	7	B	metal	0,05	72 NBR 902	B1USL	37031	○
65	80	8	B	metal	0,02	72 NBR 902	B1FUD	334402	●
65	80	8	B	metal	0,02	75 FKM 595	B1FUD	459463	○
65	85	10	B	metal	0,02	72 NBR 902	B1FUD	334375	●
65	85	10	B	metal	0,05	75 FKM 595	B1U	405903	○
65	85	13	BS	metal	0,05	75 FKM 595	B1SL	322198	○
65	85	13	B	metal	0,02	72 NBR 902	B1FUD	334683	●
65	85	13	BS	metal	0,02	72 NBR 902	B1FUDSL	335118	●
65	90	10	B	metal	0,05	72 NBR 902	B1USL	20163	●
65	90	10	B	metal	0,02	72 NBR 902	B1FUD	334662	●
65	90	10	B	metal	0,02	72 NBR 902	B1FUD	424794	○

● Available from stock ○ On request: Tool is available, delivery at short notice

d ₁	d ₂	b	DIN 3761	Outer surface	Pressure	Material	Type	Article No.	
65	90	10	B	metal	0,05	72 NBR 902	B1USL	436123	○
65	90	10	B	metal	0,05	75 FKM 595	B1USL	533459	○
65	90	12	B	metal	0,02	72 NBR 902	B1FUD	334661	●
65	90	13	B	metal	0,05	72 NBR 902	B1USL	20109	●
65	90	13	B	metal	0,02	72 NBR 902	B1FUD	334660	●
65	90	13	B	metal	0,05	72 NBR 902	B1USL	523400	●
65	100	10	B	metal	0,05	72 NBR 902	B1U	21164	●
65	100	13	BS	metal	0,02	72 NBR 902	B1FUDSL	335119	●
67	80	10	B	metal	0,05	72 NBR 902	B1	21022	●
68	78	7	B	metal	0,05	72 NBR 902	B1	26008	●
68	85	10	B	metal	0,02	72 NBR 902	B1FUD	334403	●
68	90	10	B	metal	0,05	72 NBR 902	B1U	23827	●
68	90	10	B	metal	0,05	72 NBR 902	B1USL	66622	●
68	90	13	B	metal	0,05	72 NBR 902	B1U	19904	●
68	90	13	BS	metal	0,02	72 NBR 902	B1FUDSL	335120	●
70	80	8	BS	metal	0,02	72 NBR 902	B1FUDSL	456301	●
70	85	8	B	metal	0,02	72 NBR 902	B1FUD	334267	●
70	85	8	BS	metal	0,02	72 NBR 902	B1FUDSL	346133	●
70	90	10	B	metal	0,02	72 NBR 902	B1FUD	334647	●
70	90	10	B	metal	0,05	72 NBR 902	B1USL	426882	○
70	90	12	B	metal	0,02	72 NBR 902	B1FUD	334649	●
70	90	13	BS	metal	0,05	72 NBR 902	B1SL	7534	●
70	90	13	B	metal	0,02	72 NBR 902	B1FUD	334648	●
70	95	8	B	metal	0,02	72 NBR 902	B1FUD	310667	●
70	95	13	B	metal	0,05	72 NBR 902	B1	19909	●
70	95	13	BS	metal	0,05	72 NBR 902	B1SL	49010593	●
70	100	10	B	metal	0,02	72 NBR 902	B1FUD	334699	●
70	100	13	B	metal	0,02	72 NBR 902	B1FUD	334698	●
70	110	13	B	metal	0,05	72 NBR 902	B1U	19912	●
72	84	7	B	metal	0,05	72 NBR 902	B1	23821	●
72	84	18	B	metal	0,02	72 NBR 902	B1FUD	408294	●
72	95	10	B	metal	0,05	72 NBR 902	B1U	10761	●
72	95	13	BS	metal	0,05	72 NBR 902	B1SL	3513	●
72	95	13	B	metal	0,05	72 NBR 902	B1U	19914	●
72	100	10	B	metal	0,05	72 NBR 902	B1	19915	●
72	105	13	B	metal	0,05	72 NBR 902	B1USL	153821	●
73,03	95,25	12,7	BS	metal	0,02	72 NBR 902	B1FUDSL	402902	○
75	95	10	BS	metal	0,02	72 NBR 902	B1FUDSL	334382	●
75	95	10	B	metal	0,02	72 NBR 902	B1FUD	334598	●
75	95	12	B	metal	0,05	72 NBR 902	B1USL	150288	●
75	95	13	B	metal	0,02	72 NBR 902	B1FUD	334597	●
75	100	10	B	metal	0,02	72 NBR 902	B1FUD	334539	●
75	100	12	B	metal	0,02	72 NBR 902	B1FUD	334934	●
75	100	13	BS	metal	0,02	72 NBR 902	B1FUDSL	334405	●
75	105	13	B	metal	0,05	72 NBR 902	B1	19924	●
75	110	13	B	metal	0,05	72 NBR 902	B1U	19925	●
76	95	10	B	metal	0,05	72 NBR 902	B1	19927	●
78	100	10	B	metal	0,05	72 NBR 902	B1	31819	●
78	100	13	BS	metal	0,05	72 NBR 902	B1SL	20173	●
80	100	7,5	B	metal	0,05	72 NBR 902	B1USL	37041	○

● Available from stock ○ On request: Tool is available, delivery at short notice

d ₁	d ₂	b	DIN 3761	Outer surface	Pressure	Material	Type	Article No.	
80	100	10	B	metal	0,02	72 NBR 902	B1FUD	334406	●
80	100	10	BS	metal	0,02	72 NBR 902	B1FUDSL	429457	●
80	100	12	B	metal	0,05	72 NBR 902	B1USL	331073	●
80	100	13	B	metal	0,02	72 NBR 902	B1FUD	335147	●
80	100	13	BS	metal	0,02	72 NBR 902	B1FUDSL	335189	●
80	105	13	B	metal	0,05	72 NBR 902	B1USL	20176	●
80	105	13	B	metal	0,02	72 NBR 902	B1FUD	355629	●
80	105	15	B	metal	0,05	72 NBR 902	B1U	331070	●
80	110	10	B	metal	0,05	72 NBR 902	B1	19932	●
80	110	13	B	metal	0,05	72 NBR 902	B1U	19933	●
80	110	13	BS	metal	0,05	72 NBR 902	B1SL	409545	●
80	115	13	B	metal	0,05	72 NBR 902	B1U	19935	●
85	100	7	B	metal	0,05	72 NBR 902	B1USL	61841	●
85	100	9	B	metal	0,02	72 NBR 902	B1FUD	334407	●
85	100	12	BS	metal	0,02	72 NBR 902	B1FUDSL	532637	●
85	105	10	B	metal	0,02	72 NBR 902	B1FUD	532636	●
85	105	13	B	metal	0,05	72 NBR 902	B1U	19938	●
85	110	12	B	metal	0,02	72 NBR 902	B1FUD	334935	●
85	110	13	B	metal	0,05	72 NBR 902	B1	19942	●
85	110	13	BS	metal	0,02	72 NBR 902	B1FUDSL	381637	●
85	120	12	B	metal	0,05	72 NBR 902	B1	2755	●
85	120	12	B	metal	0,05	72 NBR 902	B1	432607	○
88	110	13	B	metal	0,05	72 NBR 902	B1USL	20178	●
88	110	13	B	metal	0,05	72 NBR 902	B1U	436119	○
90	110	8	B	metal	0,02	72 NBR 902	B1FUD	355633	●
90	110	12	B	metal	0,02	72 NBR 902	B1FUD	334373	●
90	110	13	BS	metal	0,05	72 NBR 902	B1SL	31470	●
90	110	13	B	metal	0,02	72 NBR 902	B1FUD	334671	●
90	115	13	BS	metal	0,02	72 NBR 902	B1FUDSL	335123	●
90	115	13	B	metal	0,02	72 NBR 902	B1FUD	335190	●
90	120	12	B	metal	0,02	72 NBR 902	B1FUD	334694	●
90	120	13	B	metal	0,02	72 NBR 902	B1FUD	334408	●
90	130	13	B	metal	0,05	72 NBR 902	B1	19951	●
90	130	13	B	metal	0,05	72 NBR 902	B1USL	89770	●
95	110	7	B	metal	0,05	72 NBR 902	B1USL	37097	○
95	110	9	B	metal	0,05	72 NBR 902	B1	19557	●
95	115	13	B	metal	0,05	72 NBR 902	B1USL	20181	●
95	115	13	B	metal	0,02	72 NBR 902	B1FUD	334936	●
95	120	12	B	metal	0,02	72 NBR 902	B1FUD	334653	●
95	120	13	BS	metal	0,05	72 NBR 902	B1SL	20182	●
95	120	13	B	metal	0,02	72 NBR 902	B1FUD	334652	●
95	125	12	B	metal	0,05	72 NBR 902	B1	19635	●
95	125	13	B	metal	0,05	72 NBR 902	B1U	19954	●
100	115	9	B	metal	0,02	72 NBR 902	B1FUD	358896	●
100	120	8	B	metal	0,02	72 NBR 902	B1FUD	355472	●
100	120	8	B	metal	0,05	72 NBR 902	B1U	49038233	●
100	120	10	B	metal	0,02	72 NBR 902	B1FUD	334659	●
100	120	12	B	metal	0,02	72 NBR 902	B1FUD	334409	●
100	125	12	B	metal	0,02	72 NBR 902	B1FUD	335981	●
100	125	13	B	metal	0,05	72 NBR 902	B1USL	117707	●

● Available from stock ○ On request: Tool is available, delivery at short notice

d ₁	d ₂	b	DIN 3761	Outer surface	Pressure	Material	Type	Article No.	
100	125	13	B	metal	0,02	72 NBR 902	B1FUD	335982	●
100	130	12	B	metal	0,02	72 NBR 902	B1FUD	335165	●
100	130	13	BS	metal	0,05	72 NBR 902	B1SL	20183	●
100	130	13	B	metal	0,02	72 NBR 902	B1FUD	335983	●
105	120	8	B	metal	0,05	72 NBR 902	B1USL	37138	○
105	120	8	B	metal	0,05	72 NBR 902	B1USL	302505	●
105	120	8	B	metal	0,05	75 FKM 585	B1USL	405290	○
105	125	12	B	metal	0,05	72 NBR 902	B1U	19964	●
105	130	12	B	metal	0,05	72 NBR 902	B1U	19965	●
105	130	13	BS	metal	0,05	72 NBR 902	B1SL	20184	●
105	130	13	B	metal	0,05	75 FKM 595	B1U	337463	○
105	135	13	B	metal	0,05	75 FKM 585	B1	439794	○
105	140	12	B	metal	0,05	72 NBR 902	B1U	19624	●
105	140	13	B	metal	0,05	72 NBR 902	B1	19966	●
105	145	15	B	metal	0,05	72 NBR 902	B1	19967	●
110	128	9	B	metal	0,05	72 NBR 902	B1	13810	●
110	128	9	B	metal	0,05	72 NBR 902	B1USL	33356	●
110	130	10	B	metal	0,02	72 NBR 902	B1FUD	358659	●
110	130	12	B	metal	0,02	72 NBR 902	B1FUD	341238	●
110	130	12	B	metal	0,05	72 NBR 902	B1USL	344990	●
110	130	13	B	metal	0,02	72 NBR 902	B1FUD	341237	●
110	130	13	BS	metal	0,02	72 NBR 902	B1FUDSL	355470	●
110	140	12	B	metal	0,02	72 NBR 902	B1FUD	335163	●
110	145	15	B	metal	0,05	72 NBR 902	B1U	19971	●
110	150	15	B	metal	0,02	72 NBR 902	B1FUD	533588	●
112	130	12	B	metal	0,05	72 NBR 902	B1	19562	●
112	140	13	BS	metal	0,05	72 NBR 902	B1SL	20116	●
115	135	13	B	metal	0,05	72 NBR 902	B1	13859	●
115	140	12	B	metal	0,05	72 NBR 902	B1	2776	●
115	140	12	B	metal	0,02	72 NBR 902	B1FUD	335979	●
115	140	13	B	metal	0,05	72 NBR 902	B1USL	103181	●
115	140	13	B	metal	0,02	72 NBR 902	B1FUD	335980	●
115	140	15	BS	metal	0,02	72 NBR 902	B1FUDSL	364335	●
115	150	12	B	metal	0,05	72 NBR 902	B1U	11442	●
115	150	13	B	metal	0,02	72 NBR 902	B1FUD	25526	●
120	140	13	B	metal	0,02	72 NBR 902	B1FUD	335978	●
120	140	13	BS	metal	0,02	72 NBR 902	B1FUDSL	347234	●
120	145	15	B	metal	0,05	72 NBR 902	B1U	122443	●
120	150	12	B	metal	0,02	72 NBR 902	B1FUD	335166	●
120	150	12	B	metal	0,05	72 NBR 902	B1USL	436126	○
120	150	15	BS	metal	0,05	72 NBR 902	B1SL	20189	●
120	150	15	B	metal	0,02	72 NBR 902	B1FUD	335972	●
120	160	10	B	metal	0,05	72 NBR 902	B1USL	414273	●
120	160	10	BS	metal	0,05	72 NBR 902	B1SL	478718	●
120	160	10	B	metal	0,05	72 NBR 902	B1U	478719	●
120	160	12	B	metal	0,05	72 NBR 902	B1	2610	●
125	150	12	B	metal	0,02	72 NBR 902	B1FUD	335977	●
125	150	13	BS	metal	0,05	72 NBR 902	B1SL	20190	●
125	150	13	BS	metal	0,02	72 NBR 902	B1FUDSL	364318	●
125	160	12	B	metal	0,05	72 NBR 902	B1	14766	●

● Available from stock ○ On request: Tool is available, delivery at short notice

d ₁	d ₂	b	DIN 3761	Outer surface	Pressure	Material	Type	Article No.	
125	160	13	B	metal	0,05	72 NBR 902	B1	19974	●
128	150	15	B	metal	0,05	72 NBR 902	B1	19565	●
130	160	12	B	metal	0,05	72 NBR 902	B1U	8105	●
130	160	12	B	metal	0,05	72 NBR 902	B1USL	370762	●
130	160	13	BS	metal	0,05	72 NBR 902	B1SL	20272	●
130	160	15	B	metal	0,05	72 NBR 902	B1U	19976	●
135	160	15	B	metal	0,02	72 NBR 902	B1FUD	335975	●
135	170	10	B	metal	0,05	72 NBR 902	B1USL	430579	○
135	170	12	B	metal	0,05	72 NBR 902	B1U	11446	●
135	170	15	B	metal	0,05	72 NBR 902	B1	19979	●
140	160	13	B	metal	0,02	72 NBR 902	B1FUD	344711	●
140	170	15	B	metal	0,02	72 NBR 902	B1FUD	335976	●
140	180	15	B	metal	0,05	72 NBR 902	B1USL	20194	●
145	170	13	BS	metal	0,05	72 NBR 902	B1SL	12011373	●
145	170	15	B	metal	0,05	72 NBR 902	B1U	20268	●
145	175	15	B	metal	0,05	72 NBR 902	B1	31533	●
145	175	15	BS	metal	0,02	72 NBR 902	B1FUDSL	116558	●
150	180	15	B	metal	0,05	72 NBR 902	B1U	19984	●
150	180	15	B	metal	0,05	72 NBR 902	B1USL	20195	○
150	180	15	BS	metal	0,02	72 NBR 902	B1FUDSL	356357	●
150	180	15	B	metal	0,05	72 NBR 902	B1USL	436128	○
155	190	15	B	metal	0,05	72 NBR 902	B1	19985	●
160	180	10	B	metal	0,05	72 NBR 902	B1USL	328020	●
160	185	10	B	metal	0,05	72 NBR 902	B1U	19986	●
160	190	13	B	metal	0,05	72 NBR 902	B1	19987	●
160	190	15	B	metal	0,05	72 NBR 902	B1	19988	●
165	190	13	B	metal	0,05	72 NBR 902	B1U	19989	●
165	190	13	B	metal	0,05	72 NBR 902	B1USL	20199	●
165	190	15	B	metal	0,05	72 NBR 902	B1U	19990	●
170	190	15	B	metal	0,05	72 NBR 902	B1USL	315273	●
170	200	12	BS	metal	0,05	72 NBR 902	B1SL	37129	●
170	200	15	BS	metal	0,05	72 NBR 902	B1SL	31473	○
170	200	15	B	metal	0,02	72 NBR 902	B1FUD	356360	●
175	200	15	B	metal	0,05	75 FKM 595	B1U	426969	○
180	200	12	B	metal	0,05	72 NBR 902	B1USL	49002098	○
180	210	15	B	metal	0,05	72 NBR 902	B1U	19129	●
180	215	16	B	metal	0,05	72 NBR 902	B1	19992	●
190	215	15	B	metal	0,05	72 NBR 902	B1U	19994	●
190	220	15	B	metal	0,02	72 NBR 902	B1FUD	345090	●
190	220	16	B	metal	0,02	72 NBR 902	B1FUD	345091	●
190	220	16	B	metal	0,05	75 FKM 585	B1U	49011248	○
200	230	15	B	metal	0,05	72 NBR 902	B1USL	20269	●
200	230	15	B	metal	0,05	72 NBR 902	B1	26728	●
200	230	16	B	metal	0,05	72 NBR 902	B1U	19996	●
205	230	15	B	metal	0,05	72 NBR 902	B1	19997	●
210	240	15	B	metal	0,05	72 NBR 902	B1U	19239	●
220	250	11	B	metal	0,05	72 NBR 902	B1	20440	●
220	250	15	B	metal	0,05	72 NBR 902	B1	20444	●
220	250	16	BS	metal	0,05	72 NBR 902	B1SL	21153	●
230	255	10	B	metal	0,05	72 NBR 902	B1	20441	●

● Available from stock ○ On request: Tool is available, delivery at short notice

d ₁	d ₂	b	DIN 3761	Outer surface	Pressure	Material	Type	Article No.	
230	260	15	B	metal	0,05	72 NBR 902	B1	20859	●
230	270	16	B	metal	0,05	72 NBR 902	B1U	20446	●
240	270	15	B	metal	0,05	72 NBR 902	B1	27251	●
250	280	15	B	metal	0,05	72 NBR 902	B1	12086	●
260	300	20	B	metal	0,05	72 NBR 902	B1U	2564	●
270	310	16	B	metal	0,05	72 NBR 902	B1	359071	●
280	320	20	B	metal	0,05	72 NBR 902	B1	2526	●
290	330	16	B	metal	0,05	72 NBR 902	B1USL	20449	●
300	340	20	B	metal	0,05	72 NBR 902	B1	13450	●
320	360	20	B	metal	0,05	72 NBR 902	B1	17866	●
340	380	20	B	metal	0,05	72 NBR 902	B1	31645	●
350	380	16	B	metal	0,05	72 NBR 902	B1	20447	●
360	400	20	B	metal	0,05	72 NBR 902	B1	2533	●
380	420	20	B	metal	0,05	72 NBR 902	B1	31667	●
400	440	20	B	metal	0,05	72 NBR 902	B1	31653	●
420	460	20	B	metal	0,05	72 NBR 902	B1	31668	●
440	480	20	B	metal	0,05	72 NBR 902	B1	2536	●
440	480	20	B	metal	0,05	75 FKM 595	B1	429204	○
460	500	20	B	metal	0,05	72 NBR 902	B1	31700	●
460	500	20	B	metal	0,05	75 FKM 585	B1	477548	○
480	520	20	B	metal	0,05	72 NBR 902	B1	31702	●
500	540	20	B	metal	0,05	72 NBR 902	B1	31704	●
500	540	20	B	metal	0,05	75 FKM 595	B1	430099	○
630	670	20	B	metal	0,05	75 FKM 595	B1USL	432655	○

● Available from stock ○ On request: Tool is available, delivery at short notice

Simmerring B10F

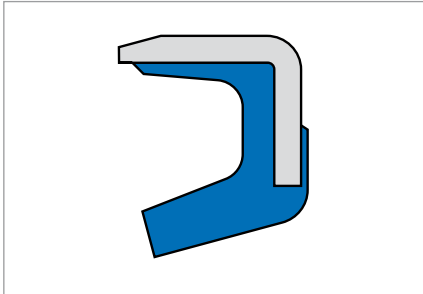


Fig. 1 Simmerring B10F NBR

Product description

- Outer casing: metal housing
- Sealing lip without spring.

Product advantages

- Simple sealing component for secondary applications
- As a seal against grease
- As additional seal against moderate to medium dust and dirt ingress.

Application

- Power tools
- Sealing of pivot bearings
- Sealing of control elements.

Material

Acrylonitrile-butadiene rubber

Code	72 NBR 902
Colour	Blue
Hardness	72 Shore A
Metal insert	Unalloyed steel DIN 1624

Operating conditions

Media	Greases
T	-40 ... +100 °C
v	to 6 m/s
p	-

Max. permissible values depend on the other operating conditions.

Fitting & installation

Shaft

Tolerance	ISO h 11
Runout	IT 8
Roughness	$R_a = 0,2 \dots 0,8 \mu\text{m}$
	$R_z = 1,0 \dots 5,0 \mu\text{m}$
	$R_{max} = <6,3 \mu\text{m}$
Hardness	45 ... 60 HRC
Finish	No lead; preferably plunge ground

Housing bore

Tolerance	ISO H8
Roughness	$R_z = 6,3 \dots 16 \mu\text{m}$

Careful fitting according to DIN 3760 is a prerequisite for the correct function of the seal → Technical Manual.

Range of dimensions for shafts-Ø d₁

Simmerring B10F	8 ... 65 mm
-----------------	-------------

Article list

d ₁	d ₂	b	DIN 3761	Outer surface	Pressure	Material	Article No.	
8	14	6	B	metal	un-pressurised	72 NBR 902	419913	●
10	15	3	B	metal	un-pressurised	72 NBR 902	129573	●
10	16	4	B	metal	un-pressurised	72 NBR 902	20247	●
12	18	5,5	B	metal	un-pressurised	72 NBR 902	19578	●
12	30	5	B	metal	un-pressurised	72 NBR 902	8010	●
15	26	4,5	B	metal	un-pressurised	72 NBR 902	19581	●
16	22	4	B	metal	un-pressurised	72 NBR 902	19584	●
16	24	4	B	metal	un-pressurised	72 NBR 902	23770	●
16	24	7	B	metal	un-pressurised	72 NBR 902	19585	●
25	32	5	B	metal	un-pressurised	72 NBR 902	23841	●
28	35	6	B	metal	un-pressurised	72 NBR 902	428755	●
40	47	4	B	metal	un-pressurised	72 NBR 902	344693	●
42,86	59,13	12,7	B	metal	un-pressurised	72 NBR 902	399289	○
45	52	4	B	metal	un-pressurised	72 NBR 902	377784	●
60	70	7	B	metal	un-pressurised	72 NBR 902	415873	○
65	75	8	B	metal	un-pressurised	72 NBR 902	532635	●
90	95	3	B	metal	un-pressurised	72 NBR 902	363577	○
320	340	10	B	metal	un-pressurised	72 NBR 902	429045	○

● Available from stock ○ On request: Tool is available, delivery at short notice

Simmerring B2.../SL to DIN 3761 C/CS

Simmerring B2FUD, B2FUDSL, B2U, B2USL, B2, B2SL

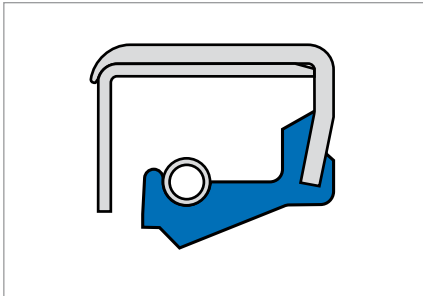


Fig. 1 Simmerring B2FUD NBR

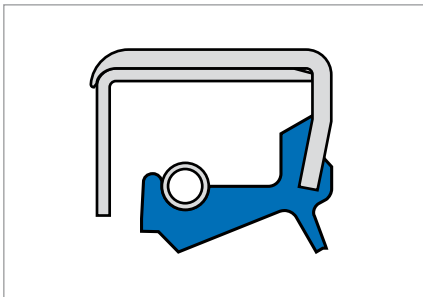


Fig. 2 Simmerring B2FUDSL NBR

Product advantages

- Broad range of applications in every sector of industry
- For larger dimensions and with rough fitting in the locating bore
(Note: limited static sealing on the outer casing for low viscosity and gaseous media)

- Additional dust lip as additional seal against moderate to medium dust and dirt ingress (B2...SL)
(Note: can lead to temperature increase from frictional heat).

Application

- Heavy industry
(cranes, calendar roll gearboxes).

Material

Acrylonitrile-butadiene rubber

Code	72 NBR 902
Colour	Blue
Hardness	72 Shore A
Metal housing	Unalloyed steel DIN 1624
Metal insert	Unalloyed steel DIN 1624
Spring	Spring steel DIN 17223

75 FKM 585 and 75 FKM 595 on enquiry.

Product description

- Outer casing: metal, machined
- Metal insert
- Spring-loaded sealing lip
- Additional dust lip (B2...SL)
- Sealing lip profile, sealing lip machined on the front face
- Sealing lip profile, finished sealing lip (B2FUD/B2FUDSL).

Operating conditions

Media	Mineral oils, synthetic oils*, greases
T	-40 ... +100 °C short term up to... +120 °C
v	<p>Permissible circumferential speed for Simmerrings made from the materials NBR (72 NBR 902) and FKM (75 FKM 585) for the sealing of motor oil SAE 20. Use Simmerring with SL (dust lip): v = max. 8 m/s.</p>
p	up to 0,05 MPa/0,5 bar up to 0,02 MPa/0,2 bar (B2FUD/B2FUDSL)

* With synthetic oils (polyalkylene glycols/polyalphaolefins, → Technical Manual synthetic lubricants) it is to be noted that the maximum operating temperature of 80 °C must not be exceeded.

Max. permissible values depend on the other operating conditions.

Fitting & installation

Shaft

Tolerance	ISO h 11
Runout	IT 8
Roughness	$R_a = 0,2 \dots 0,8 \mu\text{m}$
	$R_z = 1,0 \dots 5,0 \mu\text{m}$
	$R_{\text{max}} = <6,3 \mu\text{m}$
Hardness	45 ... 60 HRC
Finish	No lead; preferably plunge ground

Housing bore

Tolerance	ISO H8
Roughness, metal outer surface OD	$R_z = 6,3 \dots 16 \mu\text{m}$

Careful fitting according to DIN 3760 is a prerequisite for the correct function of the seal → Technical Manual.

Range of dimensions for shafts-Ø d₁

Simmerring B2...	10 ... 710 mm
Simmerring B2...SL	25 ... 185 mm

Article list

d ₁	d ₂	b	DIN 3761	Outer surface	Pressure	Material	Type	Article No.	
10	22	8	C	metal	0,05	72 NBR 902	B2U	22674	●
10	30	10	C	metal	0,05	72 NBR 902	B2U	22844	●
12	22	8	C	metal	0,05	72 NBR 902	B2	23494	●
12	30	10	C	metal	0,05	72 NBR 902	B2	22848	●
12	32	10	C	metal	0,05	72 NBR 902	B2U	22849	●
14	30	10	C	metal	0,05	72 NBR 902	B2U	22854	●
15	30	8	C	metal	0,05	72 NBR 902	B2	22675	●
15	30	10	C	metal	0,05	72 NBR 902	B2U	22857	●
15	32	10	C	metal	0,05	72 NBR 902	B2	22858	●
15	35	10	C	metal	0,05	72 NBR 902	B2	22677	●
15	40	10	C	metal	0,05	72 NBR 902	B2U	22859	●
15	42	10	C	metal	0,05	72 NBR 902	B2	22860	○
15	42	10	C	metal	0,02	72 NBR 902	B2FUD	422249	●
16	30	10	C	metal	0,05	72 NBR 902	B2U	22679	●
16	32	10	C	metal	0,05	72 NBR 902	B2U	22861	●
16	35	10	C	metal	0,05	72 NBR 902	B2	22680	●
16	40	10	C	metal	0,05	72 NBR 902	B2	22863	●
17	32	10	C	metal	0,05	72 NBR 902	B2	22681	●
17	35	8	C	metal	0,02	72 NBR 902	B2FUD	334907	●
17	35	10	C	metal	0,02	72 NBR 902	B2FUD	334908	●
17	40	10	C	metal	0,05	72 NBR 902	B2	22865	●
17	47	10	C	metal	0,05	72 NBR 902	B2	22866	●
18	35	8	C	metal	0,05	72 NBR 902	B2U	22686	●
18	35	10	C	metal	0,05	72 NBR 902	B2	22867	●
18	40	10	C	metal	0,05	72 NBR 902	B2	23516	○
19	35	10	C	metal	0,05	72 NBR 902	B2	22870	●
19	47	10	C	metal	0,05	72 NBR 902	B2	22872	○
19,05	38,1	9,5	C	metal	0,05	72 NBR 902	B2	22874	●
20	35	10	C	metal	0,05	72 NBR 902	B2U	22689	●
20	37	10	C	metal	0,05	72 NBR 902	B2	22875	●
20	40	10	C	metal	0,05	72 NBR 902	B2U	22877	●
20	42	10	C	metal	0,05	72 NBR 902	B2U	22690	●
20	47	10	C	metal	0,05	72 NBR 902	B2	22878	●
20	50	12	C	metal	0,05	72 NBR 902	B2	22879	●
20	52	10	C	metal	0,05	72 NBR 902	B2	22880	●
21	35	10	C	metal	0,05	72 NBR 902	B2U	22691	●
22	40	10	C	metal	0,05	72 NBR 902	B2U	22883	●
22	42	10	C	metal	0,05	72 NBR 902	B2	22884	●
22	47	9	C	metal	0,05	72 NBR 902	B2	38026	○
22	47	10	C	metal	0,05	72 NBR 902	B2U	22693	●
23	40	10	C	metal	0,05	72 NBR 902	B2	22886	○
24	40	10	C	metal	0,05	72 NBR 902	B2U	22888	●
24	42	10	C	metal	0,05	72 NBR 902	B2U	22889	●
24	47	10	C	metal	0,05	72 NBR 902	B2U	8071	●
24	52	12	C	metal	0,05	72 NBR 902	B2U	22893	●
25	40	9	C	metal	0,05	72 NBR 902	B2U	2490	●
25	40	10	C	metal	0,05	72 NBR 902	B2U	22694	●
25	41	10	C	metal	0,05	72 NBR 902	B2	22894	○
25	42	9	C	metal	0,05	72 NBR 902	B2U	4571	●

● Available from stock ○ On request: Tool is available, delivery at short notice

d ₁	d ₂	b	DIN 3761	Outer surface	Pressure	Material	Type	Article No.	
25	42	10	C	metal	0,05	72 NBR 902	B2U	22895	●
25	45	10	C	metal	0,05	72 NBR 902	B2	22896	●
25	47	9	C	metal	0,02	72 NBR 902	B2FUD	334909	●
25	47	10	CS	metal	0,05	72 NBR 902	B2SL	33189	●
25	47	10	C	metal	0,02	72 NBR 902	B2FUD	334910	●
25	50	10	C	metal	0,05	72 NBR 902	B2	22898	●
25	50	12	C	metal	0,05	72 NBR 902	B2	22899	●
25	52	9	C	metal	0,02	72 NBR 902	B2FUD	334911	●
25	52	10	C	metal	0,02	72 NBR 902	B2FUD	334912	●
25	52	12	C	metal	0,02	72 NBR 902	B2FUD	334913	●
25	62	12	C	metal	0,05	72 NBR 902	B2	22902	●
26	42	10	C	metal	0,05	72 NBR 902	B2U	22905	●
26	47	10	C	metal	0,05	72 NBR 902	B2	22906	●
27	41	10	C	metal	0,05	72 NBR 902	B2U	22700	●
27	42	10	C	metal	0,05	72 NBR 902	B2	22701	●
27	47	10	C	metal	0,05	72 NBR 902	B2	22911	●
27	62	12	C	metal	0,05	72 NBR 902	B2	22914	○
28	40	7,5	C	metal	0,05	72 NBR 902	B2	38409	●
28	47	9	C	metal	0,05	72 NBR 902	B2	2479	●
28	47	10	C	metal	0,05	72 NBR 902	B2	22915	●
28	50	10	C	metal	0,05	72 NBR 902	B2U	22704	●
28	50	12	C	metal	0,05	72 NBR 902	B2U	22916	●
28	52	9	C	metal	0,05	72 NBR 902	B2	19623	●
28	52	10	C	metal	0,05	72 NBR 902	B2U	22705	●
28	52	12	C	metal	0,05	72 NBR 902	B2	22917	●
28	62	12	C	metal	0,05	72 NBR 902	B2	22919	●
29	47	10	C	metal	0,05	72 NBR 902	B2	22923	●
29	50	10	C	metal	0,05	72 NBR 902	B2	22707	●
29	52	10	C	metal	0,05	72 NBR 902	B2	22924	●
30	47	8	C	metal	0,05	72 NBR 902	B2	23631	●
30	47	10	C	metal	0,05	72 NBR 902	B2U	22708	●
30	48	10	C	metal	0,05	72 NBR 902	B2	22926	●
30	50	9	C	metal	0,02	72 NBR 902	B2FUD	334656	●
30	50	10	C	metal	0,02	72 NBR 902	B2FUD	334361	●
30	50	12	C	metal	0,02	72 NBR 902	B2FUD	334657	●
30	52	9	CS	metal	0,05	72 NBR 902	B2SL	34894	●
30	52	9	C	metal	0,02	72 NBR 902	B2FUD	334691	●
30	52	10	C	metal	0,02	72 NBR 902	B2FUD	334690	●
30	52	12	C	metal	0,02	72 NBR 902	B2FUD	334334	●
30	56	10	C	metal	0,05	72 NBR 902	B2U	22932	●
30	56	12	C	metal	0,05	72 NBR 902	B2	22933	●
30	62	9	C	metal	0,02	72 NBR 902	B2FUD	334914	●
30	62	10	C	metal	0,02	72 NBR 902	B2FUD	334915	●
30	62	12	C	metal	0,02	72 NBR 902	B2FUD	334916	●
30	72	10	C	metal	0,02	72 NBR 902	B2FUD	334356	●
31	47	10	C	metal	0,05	72 NBR 902	B2	22711	○
32	47	9	C	metal	0,05	72 NBR 902	B2U	2484	●
32	47	10	C	metal	0,05	72 NBR 902	B2U	22714	●
32	50	10	C	metal	0,05	72 NBR 902	B2U	22715	●
32	50	12	C	metal	0,05	72 NBR 902	B2U	22942	●

● Available from stock ○ On request: Tool is available, delivery at short notice

d ₁	d ₂	b	DIN 3761	Outer surface	Pressure	Material	Type	Article No.	
32	52	9	C	metal	0,02	72 NBR 902	B2FUD	334673	●
32	52	10	C	metal	0,02	72 NBR 902	B2FUD	334335	●
32	52	12	C	metal	0,02	72 NBR 902	B2FUD	334345	●
32	55	12	C	metal	0,05	72 NBR 902	B2	22945	●
32	56	12	C	metal	0,05	72 NBR 902	B2	22947	○
32	62	10	C	metal	0,05	72 NBR 902	B2	22949	●
32	65	12	C	metal	0,05	72 NBR 902	B2	22951	●
32	72	12	C	metal	0,05	72 NBR 902	B2	22952	●
33	50	10	C	metal	0,05	72 NBR 902	B2U	22953	●
33	52	10	C	metal	0,05	72 NBR 902	B2U	22955	●
34	50	10	C	metal	0,05	72 NBR 902	B2U	22717	●
34	52	10	C	metal	0,05	72 NBR 902	B2	22963	●
34	58	13	C	metal	0,05	72 NBR 902	B2	22965	●
34	62	10	C	metal	0,05	72 NBR 902	B2	22966	○
34	72	12	C	metal	0,05	72 NBR 902	B2	22968	●
35	50	9	C	metal	0,02	72 NBR 902	B2FUD	335011	●
35	50	10	C	metal	0,02	72 NBR 902	B2FUD	335010	●
35	50	12	C	metal	0,02	72 NBR 902	B2FUD	335476	●
35	52	9	CS	metal	0,05	72 NBR 902	B2USL	34895	●
35	52	9	C	metal	0,02	72 NBR 902	B2FUD	334917	●
35	52	10	C	metal	0,02	72 NBR 902	B2FUD	334918	●
35	52	12	C	metal	0,02	72 NBR 902	B2FUD	334919	●
35	55	12	C	metal	0,05	72 NBR 902	B2	22974	●
35	56	10	C	metal	0,05	72 NBR 902	B2U	22975	●
35	56	12	C	metal	0,05	72 NBR 902	B2U	22976	●
35	58	13	C	metal	0,05	72 NBR 902	B2	22977	●
35	60	10	C	metal	0,05	72 NBR 902	B2	22978	●
35	60	12	C	metal	0,05	72 NBR 902	B2	22980	●
35	62	9	C	metal	0,02	72 NBR 902	B2FUD	335998	●
35	62	10	C	metal	0,02	72 NBR 902	B2FUD	335997	●
35	62	12	C	metal	0,02	72 NBR 902	B2FUD	335996	●
35	65	10	C	metal	0,05	72 NBR 902	B2U	22983	●
35	70	12	C	metal	0,05	72 NBR 902	B2U	22985	●
35	72	12	C	metal	0,02	72 NBR 902	B2FUD	334920	●
35	80	13	C	metal	0,02	72 NBR 902	B2FUD	334921	●
36	52	9	C	metal	0,05	72 NBR 902	B2	2865	●
36	56	10	C	metal	0,05	72 NBR 902	B2	22988	●
36	56	12	C	metal	0,05	72 NBR 902	B2	22720	●
36	62	9	C	metal	0,05	72 NBR 902	B2	18224	●
36	62	10	C	metal	0,05	72 NBR 902	B2	22721	●
36	62	12	C	metal	0,05	72 NBR 902	B2	22991	●
36	72	12	C	metal	0,05	72 NBR 902	B2	22993	●
37	52	10	C	metal	0,05	72 NBR 902	B2U	20711	●
37	56	10	C	metal	0,05	72 NBR 902	B2	27478	●
37	58	13	C	metal	0,05	72 NBR 902	B2	23496	●
37	62	9	C	metal	0,05	72 NBR 902	B2U	22996	●
37	62	12	C	metal	0,05	72 NBR 902	B2	22997	○
37	80	13	C	metal	0,05	72 NBR 902	B2U	22999	●
38	55	9	C	metal	0,05	72 NBR 902	B2U	2486	●
38	55	10	C	metal	0,05	72 NBR 902	B2U	23000	●

● Available from stock ○ On request: Tool is available, delivery at short notice

d ₁	d ₂	b	DIN 3761	Outer surface	Pressure	Material	Type	Article No.	
38	55	12	C	metal	0,05	72 NBR 902	B2U	23001	●
38	56	10	C	metal	0,05	72 NBR 902	B2U	23002	●
38	56	12	C	metal	0,05	72 NBR 902	B2	23003	●
38	60	10	C	metal	0,05	72 NBR 902	B2	23004	○
38	62	9	C	metal	0,02	72 NBR 902	B2FUD	334922	●
38	62	10	C	metal	0,02	72 NBR 902	B2FUD	334923	●
38	62	12	C	metal	0,02	72 NBR 902	B2FUD	334924	●
38	65	10	C	metal	0,05	72 NBR 902	B2	23008	●
38	72	12	C	metal	0,05	72 NBR 902	B2U	23012	●
39	62	12	C	metal	0,05	72 NBR 902	B2	23016	●
40	55	9	C	metal	0,02	72 NBR 902	B2FUD	334363	●
40	55	12	C	metal	0,02	72 NBR 902	B2FUD	334687	●
40	56	10	C	metal	0,05	72 NBR 902	B2U	22725	●
40	56	12	C	metal	0,05	72 NBR 902	B2U	22726	●
40	58	10	C	metal	0,05	72 NBR 902	B2U	39660	●
40	60	10	C	metal	0,05	72 NBR 902	B2U	23019	●
40	60	10	CS	metal	0,05	72 NBR 902	B2SL	23632	●
40	60	12	C	metal	0,05	72 NBR 902	B2U	23020	●
40	62	9	CS	metal	0,05	72 NBR 902	B2USL	34896	●
40	62	9	C	metal	0,02	72 NBR 902	B2FUD	334354	●
40	62	10	C	metal	0,02	72 NBR 902	B2FUD	334684	●
40	62	12	C	metal	0,02	72 NBR 902	B2FUD	334670	●
40	65	10	C	metal	0,05	72 NBR 902	B2	23023	●
40	65	12	C	metal	0,05	72 NBR 902	B2U	23024	●
40	65	12	CS	metal	0,05	72 NBR 902	B2USL	23446	●
40	68	12	C	metal	0,05	72 NBR 902	B2	23025	●
40	70	12	C	metal	0,05	72 NBR 902	B2	23026	●
40	72	9	C	metal	0,05	72 NBR 902	B2	9548	●
40	72	10	C	metal	0,05	72 NBR 902	B2U	23027	●
40	72	12	C	metal	0,05	72 NBR 902	B2U	23028	●
40	80	13	C	metal	0,05	72 NBR 902	B2U	23030	●
41	62	10	C	metal	0,05	72 NBR 902	B2U	23031	●
42	60	10	C	metal	0,05	72 NBR 902	B2U	22728	●
42	60	12	C	metal	0,05	72 NBR 902	B2U	23034	●
42	62	10	CS	metal	0,05	72 NBR 902	B2USL	20700	●
42	62	10	C	metal	0,05	72 NBR 902	B2U	22729	●
42	62	12	C	metal	0,05	72 NBR 902	B2U	23035	●
42	65	10	C	metal	0,05	72 NBR 902	B2U	23036	●
42	65	12	C	metal	0,05	72 NBR 902	B2U	23037	●
42	66	13	C	metal	0,05	72 NBR 902	B2	23038	●
42	68	10	C	metal	0,05	72 NBR 902	B2U	49011583	●
42	70	12	C	metal	0,05	72 NBR 902	B2	23039	●
42	72	10	C	metal	0,02	72 NBR 902	B2FUD	334925	●
42	72	12	C	metal	0,02	72 NBR 902	B2FUD	334926	●
42	80	13	C	metal	0,05	72 NBR 902	B2	23041	●
43	60	10	C	metal	0,05	72 NBR 902	B2	22732	●
43	62	10	C	metal	0,05	72 NBR 902	B2U	22733	●
43	72	10	C	metal	0,05	72 NBR 902	B2	22734	●
44	60	10	C	metal	0,05	72 NBR 902	B2U	22735	●
44	62	10	C	metal	0,05	72 NBR 902	B2U	23043	●

● Available from stock ○ On request: Tool is available, delivery at short notice

d ₁	d ₂	b	DIN 3761	Outer surface	Pressure	Material	Type	Article No.	
44	62	12	C	metal	0,05	72 NBR 902	B2U	23044	●
44	65	10	C	metal	0,05	72 NBR 902	B2U	22736	●
44	70	12	C	metal	0,05	72 NBR 902	B2U	23046	●
44	72	12	C	metal	0,05	72 NBR 902	B2	23047	●
45	60	8	CS	metal	0,05	72 NBR 902	B2USL	23427	●
45	60	10	C	metal	0,02	72 NBR 902	B2FUD	334682	●
45	60	12	C	metal	0,02	72 NBR 902	B2FUD	334681	●
45	62	10	C	metal	0,05	72 NBR 902	B2U	23048	●
45	62	10	CS	metal	0,05	72 NBR 902	B2USL	34897	●
45	62	12	C	metal	0,05	72 NBR 902	B2U	23049	●
45	62	12	CS	metal	0,02	72 NBR 902	B2FUDSL	334351	●
45	65	10	C	metal	0,02	72 NBR 902	B2FUD	334357	●
45	65	12	C	metal	0,02	72 NBR 902	B2FUD	334366	●
45	68	10	C	metal	0,05	72 NBR 902	B2	25586	●
45	68	12	C	metal	0,05	72 NBR 902	B2	23053	●
45	70	10	C	metal	0,05	72 NBR 902	B2U	23591	●
45	70	12	C	metal	0,05	72 NBR 902	B2	23054	●
45	72	10	C	metal	0,02	72 NBR 902	B2FUD	334927	●
45	72	12	C	metal	0,02	72 NBR 902	B2FUD	334962	●
45	75	12	C	metal	0,05	72 NBR 902	B2	23056	●
45	80	10	C	metal	0,05	72 NBR 902	B2U	23058	●
45	80	13	C	metal	0,05	72 NBR 902	B2U	23059	●
45	85	13	C	metal	0,05	72 NBR 902	B2	23060	●
46	62	12	C	metal	0,05	72 NBR 902	B2U	22744	●
46	65	10	C	metal	0,05	72 NBR 902	B2U	23062	●
46	68	12	C	metal	0,05	72 NBR 902	B2	32022	●
46	80	10	C	metal	0,05	72 NBR 902	B2	22746	●
47	65	12	C	metal	0,05	72 NBR 902	B2U	23067	●
47	70	12	C	metal	0,05	72 NBR 902	B2	23068	●
47	72	10	C	metal	0,05	72 NBR 902	B2	23069	●
47	72	12	C	metal	0,05	72 NBR 902	B2	23070	●
48	65	10	C	metal	0,05	72 NBR 902	B2U	23074	●
48	65	10	CS	metal	0,05	72 NBR 902	B2SL	23429	●
48	65	12	C	metal	0,05	72 NBR 902	B2U	22747	●
48	68	10	C	metal	0,05	72 NBR 902	B2U	22748	●
48	68	12	C	metal	0,05	72 NBR 902	B2U	23075	●
48	70	10	C	metal	0,05	72 NBR 902	B2	23076	●
48	70	12	C	metal	0,05	72 NBR 902	B2	23077	●
48	70	14	CS	metal	0,05	72 NBR 902	B2SL	61833	○
48	72	10	C	metal	0,05	72 NBR 902	B2U	23078	●
48	72	12	C	metal	0,05	72 NBR 902	B2	23079	●
48	80	10	C	metal	0,05	72 NBR 902	B2U	22749	●
48	80	13	C	metal	0,05	72 NBR 902	B2	23080	●
48	90	13	C	metal	0,05	72 NBR 902	B2	23082	●
49	68	10	C	metal	0,05	72 NBR 902	B2U	22751	●
50	65	10	C	metal	0,05	72 NBR 902	B2U	22752	●
50	68	10	C	metal	0,05	72 NBR 902	B2U	23085	●
50	68	12	C	metal	0,05	72 NBR 902	B2U	23086	●
50	70	10	C	metal	0,05	75 FKM 595	B2	80614	○
50	70	10	C	metal	0,02	72 NBR 902	B2FUD	334346	●

● Available from stock ○ On request: Tool is available, delivery at short notice

d ₁	d ₂	b	DIN 3761	Outer surface	Pressure	Material	Type	Article No.	
50	70	12	C	metal	0,02	72 NBR 902	B2FUD	334347	●
50	72	10	CS	metal	0,05	72 NBR 902	B2USL	32425	●
50	72	10	C	metal	0,02	72 NBR 902	B2FUD	355458	●
50	72	12	CS	metal	0,05	72 NBR 902	B2SL	23599	●
50	72	12	C	metal	0,02	72 NBR 902	B2FUD	355449	●
50	75	12	C	metal	0,02	72 NBR 902	B2FUD	334963	●
50	78	13	C	metal	0,05	72 NBR 902	B2U	23093	●
50	80	10	C	metal	0,05	75 FKM 595	B2U	300325	○
50	80	10	C	metal	0,02	72 NBR 902	B2FUD	334964	●
50	80	13	C	metal	0,05	72 NBR 902	B2	23095	●
50	80	13	CS	metal	0,05	72 NBR 902	B2USL	23538	●
50	85	13	C	metal	0,05	72 NBR 902	B2	23096	●
50	90	13	C	metal	0,05	72 NBR 902	B2U	23097	●
50,8	76,2	12,7	C	metal	0,05	72 NBR 902	B2	23098	○
52	68	10	C	metal	0,05	72 NBR 902	B2U	22755	●
52	69	12	C	metal	0,05	72 NBR 902	B2	22757	●
52	70	10	C	metal	0,05	72 NBR 902	B2U	22758	●
52	72	10	C	metal	0,05	72 NBR 902	B2U	22760	●
52	72	12	C	metal	0,05	72 NBR 902	B2U	23100	●
52	75	10	C	metal	0,05	72 NBR 902	B2U	3546	●
52	75	12	C	metal	0,05	72 NBR 902	B2U	23101	●
52	80	10	C	metal	0,05	72 NBR 902	B2	22761	●
52	80	13	C	metal	0,05	72 NBR 902	B2U	23102	●
52	85	10	C	metal	0,05	72 NBR 902	B2	23104	●
52	85	13	C	metal	0,05	72 NBR 902	B2	23105	●
52	90	13	C	metal	0,05	72 NBR 902	B2U	23106	●
53	68	10	C	metal	0,05	72 NBR 902	B2U	22762	●
53	72	12	C	metal	0,05	72 NBR 902	B2	23108	●
53	80	13	C	metal	0,05	72 NBR 902	B2U	23109	●
53,98	76,2	12,5	C	metal	0,05	72 NBR 902	B2U	23112	●
54	70	12	C	metal	0,05	72 NBR 902	B2U	22763	●
54	72	10	C	metal	0,05	72 NBR 902	B2U	22764	●
54	80	10	C	metal	0,05	72 NBR 902	B2	22765	●
54	80	13	C	metal	0,05	72 NBR 902	B2U	23116	●
54	85	10	C	metal	0,05	72 NBR 902	B2	22766	●
55	72	10	C	metal	0,02	72 NBR 902	B2FUD	334677	●
55	72	12	C	metal	0,02	72 NBR 902	B2FUD	334333	●
55	75	10	C	metal	0,05	72 NBR 902	B2U	80235	●
55	75	12	C	metal	0,02	72 NBR 902	B2FUD	334965	●
55	78	13	C	metal	0,05	72 NBR 902	B2	23118	●
55	80	10	C	metal	0,05	72 NBR 902	B2U	23119	●
55	80	10	CS	metal	0,02	72 NBR 902	B2FUDSL	334966	●
55	80	12	C	metal	0,05	72 NBR 902	B2U	23120	●
55	80	13	C	metal	0,05	72 NBR 902	B2U	3564	●
55	85	10	C	metal	0,05	72 NBR 902	B2U	22769	●
55	85	13	C	metal	0,05	72 NBR 902	B2	23122	●
55	90	13	C	metal	0,05	72 NBR 902	B2	23123	●
55	100	13	C	metal	0,05	72 NBR 902	B2U	23124	●
56	72	10	C	metal	0,05	72 NBR 902	B2	2838	●
56	78	13	C	metal	0,05	72 NBR 902	B2	23125	●

● Available from stock ○ On request: Tool is available, delivery at short notice

d ₁	d ₂	b	DIN 3761	Outer surface	Pressure	Material	Type	Article No.	
56	80	10	C	metal	0,05	72 NBR 902	B2U	22770	●
56	80	13	C	metal	0,05	72 NBR 902	B2	23126	○
56	90	13	C	metal	0,05	72 NBR 902	B2	23128	●
57	72	10	C	metal	0,05	72 NBR 902	B2U	22772	●
57	80	12	C	metal	0,05	72 NBR 902	B2	23129	●
57	85	10	C	metal	0,05	72 NBR 902	B2	22773	○
57	85	12	C	metal	0,05	72 NBR 902	B2	23130	●
57	90	13	C	metal	0,05	72 NBR 902	B2	23131	●
57,15	76,2	13	C	metal	0,05	72 NBR 902	B2	20608	●
58	75	12	C	metal	0,02	72 NBR 902	B2FUD	334967	●
58	78	13	C	metal	0,05	72 NBR 902	B2U	22775	●
58	80	10	C	metal	0,05	72 NBR 902	B2U	23133	●
58	80	10	CS	metal	0,05	72 NBR 902	B2USL	23431	●
58	80	12	C	metal	0,05	72 NBR 902	B2U	23490	●
58	80	13	CS	metal	0,05	72 NBR 902	B2USL	23453	●
58	80	13	CS	metal	0,05	72 NBR 902	B2USL	457620	●
58	85	10	C	metal	0,05	72 NBR 902	B2U	22776	●
58	85	13	C	metal	0,05	72 NBR 902	B2	23134	●
58	90	13	C	metal	0,05	72 NBR 902	B2U	23135	●
60	75	8	C	metal	0,02	72 NBR 902	B2FUD	356373	●
60	78	13	C	metal	0,05	72 NBR 902	B2U	22777	●
60	80	10	C	metal	0,02	72 NBR 902	B2FUD	334968	●
60	80	12	C	metal	0,02	72 NBR 902	B2FUD	334969	●
60	80	13	CS	metal	0,05	72 NBR 902	B2USL	23534	●
60	80	13	C	metal	0,02	72 NBR 902	B2FUD	334970	●
60	85	10	C	metal	0,02	72 NBR 902	B2FUD	334693	●
60	85	12	C	metal	0,02	72 NBR 902	B2FUD	334692	●
60	85	13	C	metal	0,02	72 NBR 902	B2FUD	334332	●
60	90	10	C	metal	0,02	72 NBR 902	B2FUD	334353	●
60	90	12	C	metal	0,02	72 NBR 902	B2FUD	334668	●
60	95	13	C	metal	0,05	72 NBR 902	B2U	23142	●
61	85	13	C	metal	0,05	72 NBR 902	B2U	23145	○
62	80	10	C	metal	0,05	72 NBR 902	B2U	23148	●
62	80	12	C	metal	0,05	72 NBR 902	B2U	11647	●
62	85	10	C	metal	0,05	72 NBR 902	B2U	23149	●
62	85	12	C	metal	0,05	72 NBR 902	B2	2503	●
62	85	13	C	metal	0,05	72 NBR 902	B2U	23150	●
62	85	13	CS	metal	0,05	72 NBR 902	B2USL	23433	●
62	90	10	C	metal	0,05	72 NBR 902	B2U	22780	●
62	90	12	C	metal	0,05	72 NBR 902	B2U	23151	●
62	100	13	C	metal	0,05	72 NBR 902	B2	23152	●
63	85	10	C	metal	0,05	72 NBR 902	B2U	23153	●
63	85	12	C	metal	0,05	72 NBR 902	B2U	14876	●
63	85	13	C	metal	0,05	72 NBR 902	B2	23154	●
63	90	12	C	metal	0,05	72 NBR 902	B2	2792	●
63,5	82,55	9,5	C	metal	0,05	72 NBR 902	B2U	23156	●
64	80	13	C	metal	0,05	72 NBR 902	B2	22781	●
64	85	10	C	metal	0,05	72 NBR 902	B2U	23545	●
64	85	13	C	metal	0,05	72 NBR 902	B2U	23160	●
64	90	10	C	metal	0,05	72 NBR 902	B2U	22782	●

● Available from stock ○ On request: Tool is available, delivery at short notice

d ₁	d ₂	b	DIN 3761	Outer surface	Pressure	Material	Type	Article No.	
64	90	13	C	metal	0,05	72 NBR 902	B2	23161	●
64	90	13	CS	metal	0,05	72 NBR 902	B2USL	23454	●
65	85	10	C	metal	0,02	72 NBR 902	B2FUD	334697	●
65	85	10	C	metal	0,05	75 FKM 585	B2U	389134	○
65	85	12	C	metal	0,02	72 NBR 902	B2FUD	334696	●
65	85	13	C	metal	0,02	72 NBR 902	B2FUD	334336	●
65	90	10	C	metal	0,02	72 NBR 902	B2FUD	334664	●
65	90	12	CS	metal	0,05	72 NBR 902	B2USL	34900	●
65	90	12	C	metal	0,02	72 NBR 902	B2FUD	334352	●
65	90	13	C	metal	0,02	72 NBR 902	B2FUD	334663	●
65	95	13	C	metal	0,05	72 NBR 902	B2U	23166	●
65	100	10	C	metal	0,05	72 NBR 902	B2U	22783	●
65	100	12	C	metal	0,05	72 NBR 902	B2	19775	●
65	100	13	C	metal	0,05	72 NBR 902	B2U	23167	●
66	90	13	C	metal	0,05	72 NBR 902	B2	23171	●
67	85	10	C	metal	0,02	72 NBR 902	B2FUD	334972	●
67	85	10	C	metal	0,05	72 NBR 902	B2U	415598	●
67	90	10	C	metal	0,05	72 NBR 902	B2	22784	●
67	90	13	C	metal	0,05	72 NBR 902	B2	23174	●
68	90	10	C	metal	0,05	72 NBR 902	B2	23176	●
68	90	10	CS	metal	0,05	72 NBR 902	B2SL	38056	●
68	90	12	C	metal	0,05	72 NBR 902	B2U	23177	●
68	95	13	C	metal	0,05	72 NBR 902	B2U	23178	●
68	100	10	C	metal	0,05	72 NBR 902	B2	23180	●
68	100	12	C	metal	0,05	72 NBR 902	B2U	23179	●
70	90	10	C	metal	0,02	72 NBR 902	B2FUD	334651	●
70	90	12	C	metal	0,02	72 NBR 902	B2FUD	334650	●
70	90	13	CS	metal	0,05	72 NBR 902	B2USL	23457	●
70	90	13	C	metal	0,02	72 NBR 902	B2FUD	334358	●
70	95	10	C	metal	0,05	72 NBR 902	B2U	22786	●
70	95	13	C	metal	0,05	72 NBR 902	B2U	23185	●
70	98	13	C	metal	0,05	72 NBR 902	B2	23186	●
70	100	10	C	metal	0,02	72 NBR 902	B2FUD	334702	●
70	100	12	C	metal	0,02	72 NBR 902	B2FUD	334338	●
70	100	13	C	metal	0,02	72 NBR 902	B2FUD	334700	●
70	105	13	C	metal	0,05	72 NBR 902	B2	23189	●
70	110	13	C	metal	0,05	72 NBR 902	B2	23190	●
72	90	10	C	metal	0,05	72 NBR 902	B2U	22788	●
72	90	13	C	metal	0,05	72 NBR 902	B2U	22789	●
72	95	10	C	metal	0,05	72 NBR 902	B2U	23192	●
72	95	12	C	metal	0,05	72 NBR 902	B2U	2634	●
72	95	13	C	metal	0,05	72 NBR 902	B2U	4774	●
72	95	13	C	metal	0,05	75 FKM 595	B2	322085	○
72	100	10	C	metal	0,05	72 NBR 902	B2U	23194	●
72	100	12	C	metal	0,05	72 NBR 902	B2	16196	●
72	100	13	C	metal	0,05	72 NBR 902	B2	23195	●
72	105	13	C	metal	0,05	72 NBR 902	B2	23196	●
72	110	13	C	metal	0,05	72 NBR 902	B2	23197	●
73	95	10	C	metal	0,05	72 NBR 902	B2U	22790	●
73	100	13	C	metal	0,05	72 NBR 902	B2	23198	●

● Available from stock ○ On request: Tool is available, delivery at short notice

d ₁	d ₂	b	DIN 3761	Outer surface	Pressure	Material	Type	Article No.	
74	90	10	C	metal	0,05	72 NBR 902	B2U	22792	●
74	95	10	C	metal	0,05	72 NBR 902	B2U	22793	●
74	100	13	C	metal	0,05	72 NBR 902	B2	23200	●
75	90	12	C	metal	0,05	72 NBR 902	B2U	22795	●
75	95	10	C	metal	0,02	72 NBR 902	B2FUD	334596	●
75	95	12	C	metal	0,02	72 NBR 902	B2FUD	334595	●
75	95	13	C	metal	0,05	72 NBR 902	B2	22839	●
75	100	10	C	metal	0,02	72 NBR 902	B2FUD	334331	●
75	100	12	C	metal	0,02	72 NBR 902	B2FUD	334973	●
75	100	13	C	metal	0,05	72 NBR 902	B2	23529	●
75	100	13	CS	metal	0,02	72 NBR 902	B2FUDSL	334974	●
75	105	13	C	metal	0,05	72 NBR 902	B2U	23207	●
75	110	13	C	metal	0,05	72 NBR 902	B2U	23208	●
75	115	13	C	metal	0,02	72 NBR 902	B2FUD	335192	●
76	100	13	C	metal	0,05	72 NBR 902	B2	23210	●
76	110	13	C	metal	0,05	72 NBR 902	B2	23212	●
76,2	101,6	11,9	C	metal	0,05	72 NBR 902	B2U	23213	●
77	95	10	C	metal	0,05	72 NBR 902	B2U	22797	●
77	100	10	C	metal	0,05	72 NBR 902	B2U	22798	●
78	95	13	C	metal	0,05	72 NBR 902	B2	22799	●
78	100	10	C	metal	0,05	72 NBR 902	B2	22800	●
78	100	12	C	metal	0,05	72 NBR 902	B2	23214	●
78	105	13	C	metal	0,05	72 NBR 902	B2	23215	●
78	110	13	C	metal	0,05	72 NBR 902	B2	23216	●
80	95	10	C	metal	0,05	72 NBR 902	B2U	106305	●
80	100	10	C	metal	0,02	72 NBR 902	B2FUD	334355	●
80	100	12	CS	metal	0,05	72 NBR 902	B2USL	34903	●
80	100	12	C	metal	0,02	72 NBR 902	B2FUD	334362	●
80	100	13	C	metal	0,02	72 NBR 902	B2FUD	334359	●
80	100	13	CS	metal	0,02	72 NBR 902	B2FUDSL	335999	●
80	105	13	C	metal	0,02	72 NBR 902	B2FUD	356384	●
80	110	12	C	metal	0,05	72 NBR 902	B2U	11434	●
80	110	13	C	metal	0,05	72 NBR 902	B2U	23223	●
80	120	13	C	metal	0,05	72 NBR 902	B2	23224	●
80	125	13	C	metal	0,05	72 NBR 902	B2U	23225	●
81	100	10	C	metal	0,05	72 NBR 902	B2	22803	●
81	100	13	C	metal	0,05	72 NBR 902	B2	22804	●
82	105	13	C	metal	0,05	72 NBR 902	B2U	23227	●
82	110	13	C	metal	0,05	72 NBR 902	B2	23228	●
82,55	114,3	13	C	metal	0,05	72 NBR 902	B2U	20656	○
84	105	13	C	metal	0,05	72 NBR 902	B2U	23231	●
84	110	12	C	metal	0,05	72 NBR 902	B2	23232	●
84,14	114,3	11,9	C	metal	0,02	72 NBR 902	B2FUD	338367	○
85	100	13	C	metal	0,05	72 NBR 902	B2U	22805	●
85	105	13	CS	metal	0,05	72 NBR 902	B2SL	9687	●
85	105	13	C	metal	0,05	72 NBR 902	B2U	23234	●
85	110	13	CS	metal	0,02	72 NBR 902	B2FUDSL	334365	●
85	110	13	C	metal	0,02	72 NBR 902	B2FUD	334975	●
85	110	15	C	metal	0,02	72 NBR 902	B2FUD	334976	●
85	115	13	C	metal	0,05	72 NBR 902	B2U	23236	●

● Available from stock ○ On request: Tool is available, delivery at short notice

d ₁	d ₂	b	DIN 3761	Outer surface	Pressure	Material	Type	Article No.	
85	120	13	C	metal	0,05	72 NBR 902	B2U	23237	●
85	120	15	C	metal	0,05	72 NBR 902	B2	2515	●
85	125	13	C	metal	0,05	72 NBR 902	B2U	23505	●
85	130	13	C	metal	0,05	72 NBR 902	B2U	23238	●
86	110	13	C	metal	0,05	72 NBR 902	B2	23240	○
87	110	13	C	metal	0,05	72 NBR 902	B2U	23242	●
88	110	13	C	metal	0,05	72 NBR 902	B2U	23243	●
88	120	13	C	metal	0,05	72 NBR 902	B2U	23244	●
89	110	13	C	metal	0,05	72 NBR 902	B2	23246	●
90	110	8	C	metal	0,05	72 NBR 902	B2	22809	●
90	110	13	CS	metal	0,05	72 NBR 902	B2USL	23467	●
90	110	13	C	metal	0,02	72 NBR 902	B2FUD	334348	●
90	110	15	C	metal	0,05	72 NBR 902	B2U	11436	●
90	112,71	13	C	metal	0,02	72 NBR 902	B2FUD	334349	●
90	115	9	C	metal	0,05	72 NBR 902	B2	22810	●
90	120	13	C	metal	0,02	72 NBR 902	B2FUD	334695	●
90	120	13	CS	metal	0,02	72 NBR 902	B2FUDSL	335191	●
90	120	15	C	metal	0,02	72 NBR 902	B2FUD	334339	●
90	125	13	C	metal	0,05	72 NBR 902	B2	23250	●
90	130	13	C	metal	0,05	72 NBR 902	B2	23251	●
90	140	13	C	metal	0,05	72 NBR 902	B2	23252	●
92	120	13	C	metal	0,05	72 NBR 902	B2	23253	●
93	110	13	C	metal	0,05	72 NBR 902	B2U	22811	●
94	120	13	C	metal	0,05	72 NBR 902	B2	23258	●
95	115	13	C	metal	0,02	72 NBR 902	B2FUD	334978	●
95	120	13	CS	metal	0,05	72 NBR 902	B2USL	330834	●
95	120	13	C	metal	0,02	72 NBR 902	B2FUD	334360	●
95	120	13	C	metal	0,05	75 FKM 595	B2U	49004121	○
95	120	15	C	metal	0,02	72 NBR 902	B2FUD	334654	●
95	125	13	C	metal	0,05	72 NBR 902	B2U	23262	●
95	125	15	C	metal	0,05	72 NBR 902	B2	2521	●
95	130	13	C	metal	0,05	72 NBR 902	B2U	23263	●
96	125	13	C	metal	0,05	72 NBR 902	B2U	23265	●
97	120	13	C	metal	0,05	72 NBR 902	B2	23266	●
98	120	13	C	metal	0,05	72 NBR 902	B2	23269	●
98	125	13	C	metal	0,05	72 NBR 902	B2	23270	●
98	128	10	C	metal	0,05	72 NBR 902	B2	23271	●
98	130	13	C	metal	0,05	72 NBR 902	B2	23272	●
100	120	12	C	metal	0,05	75 FKM 595	B2U	2205	○
100	120	12	C	metal	0,05	72 NBR 902	B2U	307035	●
100	120	13	C	metal	0,02	72 NBR 902	B2FUD	334350	●
100	120	15	C	metal	0,05	72 NBR 902	B2U	9547	●
100	125	13	CS	metal	0,05	72 NBR 902	B2SL	150733	●
100	125	13	C	metal	0,02	72 NBR 902	B2FUD	335193	●
100	125	15	C	metal	0,02	72 NBR 902	B2FUD	335984	●
100	130	13	CS	metal	0,05	72 NBR 902	B2USL	23470	●
100	130	13	C	metal	0,02	72 NBR 902	B2FUD	335169	●
100	130	15	C	metal	0,02	72 NBR 902	B2FUD	335985	●
100	140	13	C	metal	0,05	72 NBR 902	B2U	23278	●
102	130	13	C	metal	0,05	72 NBR 902	B2U	23281	●

● Available from stock ○ On request: Tool is available, delivery at short notice

d ₁	d ₂	b	DIN 3761	Outer surface	Pressure	Material	Type	Article No.	
103	125	13	C	metal	0,05	72 NBR 902	B2U	23283	●
104	130	13	C	metal	0,05	72 NBR 902	B2	23285	●
105	125	13	C	metal	0,05	72 NBR 902	B2U	22815	●
105	130	13	C	metal	0,05	72 NBR 902	B2U	23286	●
105	130	15	C	metal	0,05	72 NBR 902	B2U	11439	●
105	135	13	C	metal	0,05	72 NBR 902	B2	365337	●
105	140	13	C	metal	0,05	72 NBR 902	B2U	23288	●
105	140	13	CS	metal	0,05	72 NBR 902	B2USL	38081	●
105	140	15	C	metal	0,05	72 NBR 902	B2	19633	●
105	150	15	C	metal	0,05	72 NBR 902	B2	23289	●
106	130	13	C	metal	0,05	72 NBR 902	B2	23290	●
107	130	13	C	metal	0,05	72 NBR 902	B2	23291	●
107	140	13	C	metal	0,05	72 NBR 902	B2U	23292	●
108	130	13	C	metal	0,05	72 NBR 902	B2	23293	●
108	140	13	C	metal	0,05	72 NBR 902	B2U	23294	●
110	128	9	C	metal	0,05	72 NBR 902	B2	7792	●
110	130	12	C	metal	0,05	75 FKM 595	B2U	2218	○
110	130	12	C	metal	0,05	72 NBR 902	B2U	418208	●
110	130	13	C	metal	0,02	72 NBR 902	B2FUD	341230	●
110	130	15	C	metal	0,02	72 NBR 902	B2FUD	341239	●
110	140	13	CS	metal	0,02	72 NBR 902	B2FUDSL	335171	●
110	140	13	C	metal	0,02	72 NBR 902	B2FUD	345079	●
110	140	15	C	metal	0,02	72 NBR 902	B2FUD	335988	●
110	150	13	C	metal	0,02	72 NBR 902	B2FUD	364342	●
110	150	15	C	metal	0,02	72 NBR 902	B2FUD	366328	●
112	140	13	C	metal	0,05	72 NBR 902	B2	23299	●
112	150	15	C	metal	0,05	72 NBR 902	B2	23301	●
113	140	13	C	metal	0,05	72 NBR 902	B2	23302	●
114	140	13	C	metal	0,05	72 NBR 902	B2U	23303	●
115	140	11	CS	metal	0,05	72 NBR 902	B2USL	23557	●
115	140	12	C	metal	0,05	75 FKM 595	B2U	2231	○
115	140	13	C	metal	0,02	72 NBR 902	B2FUD	335167	●
115	140	15	C	metal	0,02	72 NBR 902	B2FUD	335995	●
115	150	13	C	metal	0,05	72 NBR 902	B2U	23309	●
115	150	15	C	metal	0,05	72 NBR 902	B2	23310	●
115	160	15	C	metal	0,05	72 NBR 902	B2	23311	●
116	140	13	C	metal	0,05	72 NBR 902	B2	23530	○
118	140	13	C	metal	0,05	72 NBR 902	B2	23313	●
118	150	15	C	metal	0,05	72 NBR 902	B2	23314	●
118	160	15	C	metal	0,05	72 NBR 902	B2U	23315	●
120	140	13	C	metal	0,02	72 NBR 902	B2FUD	335172	●
120	145	15	C	metal	0,05	72 NBR 902	B2U	66352	●
120	150	13	C	metal	0,02	72 NBR 902	B2FUD	335986	●
120	150	15	CS	metal	0,05	72 NBR 902	B2SL	12059	●
120	150	15	C	metal	0,02	72 NBR 902	B2FUD	335987	●
120	150	15	CS	metal	0,05	72 NBR 902	B2USL	145092	●
120	160	13	C	metal	0,05	72 NBR 902	B2	23319	●
120	160	15	C	metal	0,05	72 NBR 902	B2	23320	●
120	170	15	C	metal	0,05	72 NBR 902	B2U	23533	●
122	150	13	C	metal	0,05	72 NBR 902	B2U	23322	●

● Available from stock ○ On request: Tool is available, delivery at short notice

d ₁	d ₂	b	DIN 3761	Outer surface	Pressure	Material	Type	Article No.	
122	150	15	C	metal	0,05	72 NBR 902	B2	23323	○
124	150	15	C	metal	0,05	72 NBR 902	B2	23324	●
125	150	13	C	metal	0,02	72 NBR 902	B2FUD	335161	●
125	150	15	C	metal	0,02	72 NBR 902	B2FUD	335994	●
125	150	15	CS	metal	0,05	72 NBR 902	B2USL	409243	●
125	152,4	15	C	metal	0,05	72 NBR 902	B2	3824	●
125	160	13	C	metal	0,05	72 NBR 902	B2	23328	●
125	160	15	C	metal	0,05	72 NBR 902	B2	23329	●
125	160	15	CS	metal	0,05	72 NBR 902	B2SL	25638	○
125	170	13	C	metal	0,05	72 NBR 902	B2	23330	●
125	170	15	C	metal	0,05	72 NBR 902	B2	23331	●
128	146	13,5	C	metal	0,02	72 NBR 902	B2FUD	341229	●
128	150	12,5	C	metal	0,05	75 FKM 585	B2U	24662	○
128	150	15	C	metal	0,05	72 NBR 902	B2U	23332	●
128	160	15	C	metal	0,05	72 NBR 902	B2U	23333	●
129	160	15	C	metal	0,05	72 NBR 902	B2	23335	●
130	155	10	C	metal	0,05	72 NBR 902	B2U	21415	●
130	160	13	C	metal	0,05	72 NBR 902	B2U	23336	●
130	160	15	CS	metal	0,05	72 NBR 902	B2USL	34910	●
130	160	15	C	metal	0,02	72 NBR 902	B2FUD	364341	●
130	165	13	C	metal	0,05	72 NBR 902	B2U	23338	●
130	170	13	C	metal	0,05	72 NBR 902	B2	23340	●
130	170	15	C	metal	0,05	72 NBR 902	B2	23342	●
130	170	15	CS	metal	0,05	72 NBR 902	B2USL	23476	●
130	180	15	C	metal	0,05	72 NBR 902	B2U	23343	●
132	160	13	C	metal	0,05	72 NBR 902	B2	23344	●
132	160	15	C	metal	0,05	72 NBR 902	B2	23345	●
135	160	13	C	metal	0,02	72 NBR 902	B2FUD	335199	●
135	160	14	C	metal	0,05	75 FKM 595	B2	432265	○
135	160	15	C	metal	0,02	72 NBR 902	B2FUD	335991	●
135	165	13	C	metal	0,05	72 NBR 902	B2U	23348	●
135	165	15	C	metal	0,05	72 NBR 902	B2	23537	●
135	170	13	C	metal	0,05	72 NBR 902	B2U	23349	●
135	170	15	C	metal	0,05	72 NBR 902	B2U	23350	●
135	180	15	C	metal	0,05	72 NBR 902	B2U	23351	●
138	160	15	C	metal	0,02	72 NBR 902	B2FUD	335197	●
138	170	15	C	metal	0,05	72 NBR 902	B2U	23352	●
140	160	13	C	metal	0,05	72 NBR 902	B2U	374756	●
140	160	15	C	metal	0,02	72 NBR 902	B2FUD	345082	●
140	165	12	C	metal	0,05	72 NBR 902	B2	22821	●
140	165	15	C	metal	0,05	72 NBR 902	B2U	23354	●
140	170	13	CS	metal	0,05	75 FKM 595	B2SL	2272	○
140	170	13	C	metal	0,02	72 NBR 902	B2FUD	335198	●
140	170	15	CS	metal	0,02	72 NBR 902	B2FUDSL	334337	●
140	170	15	C	metal	0,02	72 NBR 902	B2FUD	335993	●
140	180	15	C	metal	0,05	72 NBR 902	B2	23357	●
140	180	15	CS	metal	0,05	72 NBR 902	B2SL	321493	●
140	190	15	C	metal	0,05	72 NBR 902	B2	23358	●
142	170	15	C	metal	0,05	72 NBR 902	B2U	23535	●
144	180	15	C	metal	0,05	72 NBR 902	B2	23359	●

● Available from stock ○ On request: Tool is available, delivery at short notice

d ₁	d ₂	b	DIN 3761	Outer surface	Pressure	Material	Type	Article No.	
145	165	13	C	metal	0,02	72 NBR 902	B2FUD	341228	●
145	170	13	CS	metal	0,05	72 NBR 902	B2SL	5238	●
145	170	13	C	metal	0,05	72 NBR 902	B2U	23360	●
145	170	15	C	metal	0,05	72 NBR 902	B2U	23361	●
145	175	13	C	metal	0,05	72 NBR 902	B2U	114908	●
145	175	15	C	metal	0,05	72 NBR 902	B2	2619	●
145	180	13	C	metal	0,05	72 NBR 902	B2	23362	●
145	180	15	C	metal	0,05	72 NBR 902	B2U	23363	●
145	190	15	C	metal	0,05	72 NBR 902	B2	23364	●
146	178	14	C	metal	0,05	72 NBR 902	B2	23366	○
148	170	14,5	CS	metal	0,02	72 NBR 902	B2FUDSL	341227	●
148	170	15	C	metal	0,05	72 NBR 902	B2U	23367	●
148	180	15	C	metal	0,05	72 NBR 902	B2U	23368	●
150	170	15	C	metal	0,05	72 NBR 902	B2U	345083	●
150	180	13	C	metal	0,05	72 NBR 902	B2U	23370	●
150	180	13	C	metal	0,05	75 FKM 595	B2	431416	○
150	180	15	C	metal	0,05	72 NBR 902	B2U	23371	●
150	180	15	CS	metal	0,05	72 NBR 902	B2USL	355455	●
150	190	15	C	metal	0,05	72 NBR 902	B2U	23372	●
150	190	15	C	metal	0,05	75 FKM 595	B2	49033343	○
150	200	15	C	metal	0,05	72 NBR 902	B2	23373	●
155	180	15	C	metal	0,05	72 NBR 902	B2	23376	●
155	190	15	C	metal	0,05	72 NBR 902	B2	23377	●
155	200	15	C	metal	0,05	72 NBR 902	B2	23379	●
158	180	15	C	metal	0,05	72 NBR 902	B2U	22826	●
160	180	15	C	metal	0,02	72 NBR 902	B2FUD	395523	●
160	190	13	C	metal	0,05	72 NBR 902	B2	23380	●
160	190	15	C	metal	0,05	72 NBR 902	B2U	23381	●
160	190	15	CS	metal	0,02	72 NBR 902	B2FUDSL	355453	●
160	200	15	C	metal	0,05	72 NBR 902	B2U	23383	●
162	190	15	C	metal	0,05	72 NBR 902	B2	23384	●
165	190	13	C	metal	0,05	72 NBR 902	B2U	23386	●
165	190	15	C	metal	0,05	72 NBR 902	B2U	23387	●
165	200	15	C	metal	0,05	72 NBR 902	B2	23388	●
168	190	15	C	metal	0,05	72 NBR 902	B2U	22828	●
168	200	15	C	metal	0,05	72 NBR 902	B2U	23389	●
168	200	15	C	metal	0,05	75 FKM 585	B2U	326623	○
170	190	15	C	metal	0,02	72 NBR 902	B2FUD	341226	●
170	200	13	C	metal	0,05	72 NBR 902	B2U	23391	●
170	200	15	CS	metal	0,05	72 NBR 902	B2SL	23503	●
170	200	15	C	metal	0,02	72 NBR 902	B2FUD	355457	●
170	215	16	C	metal	0,05	72 NBR 902	B2	23393	●
170	215	16	CS	metal	0,05	72 NBR 902	B2USL	478559	○
170	215	16	C	metal	0,05	72 NBR 902	B2U	478560	●
172	200	15	C	metal	0,05	72 NBR 902	B2U	23395	●
175	200	15	C	metal	0,02	72 NBR 902	B2FUD	334979	●
175	215	16	C	metal	0,05	72 NBR 902	B2U	23397	●
178	200	15	C	metal	0,05	72 NBR 902	B2U	23399	●
178	215	16	C	metal	0,05	72 NBR 902	B2	23400	●
180	200	12	C	metal	0,05	72 NBR 902	B2U	339544	●

● Available from stock ○ On request: Tool is available, delivery at short notice

d ₁	d ₂	b	DIN 3761	Outer surface	Pressure	Material	Type	Article No.	
180	200	15	C	metal	0,05	72 NBR 902	B2U	23567	●
180	200	15	CS	metal	0,05	72 NBR 902	B2SL	326786	●
180	210	15	C	metal	0,05	72 NBR 902	B2U	2630	●
180	215	15	CS	metal	0,05	72 NBR 902	B2USL	27471	●
180	215	16	C	metal	0,05	72 NBR 902	B2U	23402	●
180	220	16	C	metal	0,05	72 NBR 902	B2	23403	●
182	215	16	C	metal	0,05	72 NBR 902	B2	23404	●
185	215	15	C	metal	0,05	72 NBR 902	B2U	23405	●
185	215	16	CS	metal	0,05	72 NBR 902	B2SL	23480	○
185	215	16	CS	metal	0,05	72 NBR 902	B2SL	100795	●
185	215	16	C	metal	0,05	75 FKM 585	B2U	471587	○
185	230	16	C	metal	0,05	72 NBR 902	B2	23406	●
188	215	16	C	metal	0,05	72 NBR 902	B2	23407	●
190	215	16	C	metal	0,05	72 NBR 902	B2U	22831	●
190	220	15	C	metal	0,02	72 NBR 902	B2FUD	345085	●
190	230	16	C	metal	0,05	72 NBR 902	B2	23409	●
195	220	16	C	metal	0,05	72 NBR 902	B2U	23411	●
195	220	16	C	metal	0,05	75 FKM 595	B2U	530942	○
195	230	15	C	metal	0,05	72 NBR 902	B2	23412	●
200	230	15	C	metal	0,05	72 NBR 902	B2U	23414	●
200	230	15	CS	metal	0,05	72 NBR 902	B2SL	34917	●
200	250	15	C	metal	0,05	72 NBR 902	B2	23415	●
205	230	16	C	metal	0,05	72 NBR 902	B2U	22832	●
205	250	16	C	metal	0,05	72 NBR 902	B2	25648	●
210	240	15	C	metal	0,05	72 NBR 902	B2	2551	●
210	240	15	C	metal	0,05	75 FKM 595	B2U	312565	○
210	250	16	C	metal	0,05	72 NBR 902	B2U	23418	●
215	245	16	C	metal	0,05	75 FKM 585	B2U	327418	○
215	250	16	C	metal	0,05	72 NBR 902	B2U	23419	●
215	250	16	C	metal	0,05	75 FKM 595	B2U	429789	○
218	250	16	C	metal	0,05	72 NBR 902	B2	23420	●
220	250	15	C	metal	0,05	72 NBR 902	B2U	23421	●
220	250	15	CS	metal	0,05	72 NBR 902	B2SL	150730	●
220	250	15	C	metal	0,05	75 FKM 595	B2U	433549	○
220	250	15	CS	metal	0,05	72 NBR 902	B2USL	478509	●
220	250	15	C	metal	0,05	72 NBR 902	B2U	478510	●
220	270	15	C	metal	0,05	72 NBR 902	B2	23714	●
225	250	16	C	metal	0,05	72 NBR 902	B2	22834	●
225	270	16	C	metal	0,05	72 NBR 902	B2	23715	●
230	260	15	C	metal	0,05	72 NBR 902	B2	2555	●
230	260	15	C	metal	0,05	75 FKM 595	B2	83032	○
230	270	15	C	metal	0,05	72 NBR 902	B2	23718	●
230	280	16	C	metal	0,05	72 NBR 902	B2	23719	●
235	270	16	C	metal	0,05	72 NBR 902	B2U	23720	●
240	270	15	C	metal	0,05	75 FKM 585	B2U	67082	○
240	270	15	CS	metal	0,05	72 NBR 902	B2USL	478504	●
240	270	15	C	metal	0,05	72 NBR 902	B2U	478505	●
240	280	16	C	metal	0,05	72 NBR 902	B2	23722	●
240	280	16	C	metal	0,05	75 FKM 585	B2	455906	○
240	290	16	C	metal	0,05	72 NBR 902	B2	23723	●

● Available from stock ○ On request: Tool is available, delivery at short notice

d ₁	d ₂	b	DIN 3761	Outer surface	Pressure	Material	Type	Article No.	
245	270	16	C	metal	0,05	72 NBR 902	B2U	23708	●
250	280	15	C	metal	0,05	72 NBR 902	B2	2563	●
250	280	15	C	metal	0,05	75 FKM 585	B2	330565	○
250	280	15	CS	metal	0,05	72 NBR 902	B2SL	478501	●
250	280	15	C	metal	0,05	72 NBR 902	B2U	478503	●
250	280	16	C	metal	0,05	72 NBR 902	B2	23725	●
250	290	16	C	metal	0,05	72 NBR 902	B2	23726	●
255	290	16	C	metal	0,05	72 NBR 902	B2U	23727	●
260	280	16	C	metal	0,05	72 NBR 902	B2	25363	●
260	290	16	C	metal	0,05	72 NBR 902	B2U	23728	●
260	290	16	C	metal	0,05	75 FKM 595	B2	301481	○
260	300	20	C	metal	0,05	72 NBR 902	B2	31706	●
260	310	16	C	metal	0,05	72 NBR 902	B2U	23729	●
265	290	16	C	metal	0,05	72 NBR 902	B2U	23746	●
265	290	16	C	metal	0,05	75 FKM 595	B2	387240	○
265	310	16	C	metal	0,05	72 NBR 902	B2	23731	●
270	310	16	C	metal	0,05	72 NBR 902	B2	23733	●
270	310	16	CS	metal	0,05	72 NBR 902	B2USL	150423	●
270	310	16	C	metal	0,05	75 FKM 595	B2	376654	○
275	310	16	C	metal	0,05	72 NBR 902	B2	23734	●
280	310	16	C	metal	0,05	72 NBR 902	B2	23736	●
280	320	20	C	metal	0,05	72 NBR 902	B2	26356	●
280	320	20	CS	metal	0,05	72 NBR 902	B2USL	304607	●
280	320	20	C	metal	0,05	75 FKM 595	B2	308782	○
285	310	16	C	metal	0,05	72 NBR 902	B2U	23710	●
290	330	18	C	metal	0,05	72 NBR 902	B2U	31476	●
300	332	16	C	metal	0,05	72 NBR 902	B2	23750	●
300	335	18	C	metal	0,05	72 NBR 902	B2	23745	●
300	340	20	C	metal	0,05	72 NBR 902	B2	2528	●
300	340	20	C	metal	0,05	75 FKM 595	B2	435428	○
310	350	18	C	metal	0,05	72 NBR 902	B2	25369	●
310	350	18	C	metal	0,05	75 FKM 595	B2	389112	○
315	355	18	C	metal	0,05	72 NBR 902	B2	23737	●
315	365	20	C	metal	0,05	72 NBR 902	B2	23531	●
315	365	20	C	metal	0,05	75 FKM 595	B2U	126441	○
320	350	18	C	metal	0,05	72 NBR 902	B2	34939	●
320	360	18	C	metal	0,05	72 NBR 902	B2	23738	●
320	360	18	C	metal	0,05	75 FKM 595	B2	424128	○
320	360	20	C	metal	0,05	72 NBR 902	B2	2530	●
320	360	20	C	metal	0,05	75 FKM 595	B2	459247	○
325	365	16	C	metal	0,05	72 NBR 902	B2	23760	●
330	370	18	C	metal	0,05	72 NBR 902	B2	23739	●
340	372	16	C	metal	0,05	72 NBR 902	B2	23754	●
340	380	18	C	metal	0,05	72 NBR 902	B2	23740	●
340	380	20	C	metal	0,05	72 NBR 902	B2	2531	●
340	380	20	C	metal	0,05	75 FKM 585	B2	126482	○
350	390	18	C	metal	0,05	72 NBR 902	B2	23741	●
360	392	20	C	metal	0,05	72 NBR 902	B2	25510	●
360	400	18	C	metal	0,05	72 NBR 902	B2	23711	●
360	400	20	C	metal	0,05	72 NBR 902	B2	31739	●

● Available from stock ○ On request: Tool is available, delivery at short notice

d ₁	d ₂	b	DIN 3761	Outer surface	Pressure	Material	Type	Article No.	
360	400	20	C	metal	0,05	75 FKM 595	B2	102925	○
365	405	18	C	metal	0,05	72 NBR 902	B2	23749	●
380	420	20	C	metal	0,05	72 NBR 902	B2	2535	●
380	420	20	C	metal	0,05	75 FKM 585	B2	117105	○
380	430	19	C	metal	0,05	72 NBR 902	B2	25375	●
390	430	18	C	metal	0,05	72 NBR 902	B2	3565	●
395	430	18	C	metal	0,05	72 NBR 902	B2	23743	●
400	440	20	C	metal	0,05	72 NBR 902	B2	25377	●
400	440	20	C	metal	0,05	75 FKM 595	B2	437815	○
420	460	20	C	metal	0,05	72 NBR 902	B2	23759	●
420	460	20	C	metal	0,05	75 FKM 595	B2	428983	○
420	460	20	C	metal	0,05	75 FKM 595	B2	49011887	●
440	470	20	C	metal	0,05	72 NBR 902	B2	23748	●
440	480	20	C	metal	0,05	72 NBR 902	B2	31751	●
460	500	20	C	metal	0,05	72 NBR 902	B2	2539	●
467	510	20	C	metal	0,05	72 NBR 902	B2	23753	●
480	520	20	C	metal	0,05	72 NBR 902	B2	19783	●
500	540	20	C	metal	0,05	72 NBR 902	B2	2544	●
530	580	20	C	metal	0,05	72 NBR 902	B2	105909	○
600	640	20	C	metal	0,05	80 NBR 709	B2	23692	●
640	680	20	C	metal	0,05	72 NBR 902	B2U	387666	●
650	690	20	C	metal	0,05	72 NBR 902	B2	88794	○
670	710	20	C	metal	0,05	72 NBR 902	B2	150313	○
680	730	20	C	metal	0,05	75 FKM 595	B2	435412	○
710	760	20	C	metal	0,05	80 NBR 709	B2	23684	●
760	800	20	C	metal	0,05	72 NBR 902	B2U	388786	○
799	860	25	C	metal	0,05	72 NBR 902	B2	125558	○
930	990	25	C	metal	0,05	72 NBR 902	B2	306488	○

● Available from stock ○ On request: Tool is available, delivery at short notice

Simmerring B2PT

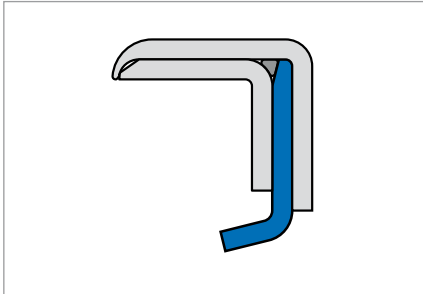


Fig. 1 Simmerring B2PT PTFE

Product description

- Outer casing: metal housing
- Sealing lip made of PTFE.

Product advantages

- Special range of applications in general mechanical engineering and in the chemical industry
- High temperature resistance
- For dry running and insufficient lubrication
- High chemical resistance
- In case of requirements for stick/slip-free behaviour
(Note: for limited requirements on dynamic sealing behaviour! Static sealing at the outer casing limited with low viscosity and gaseous media).

Application

- Rotary joints
- Centrifuges
- Pumps
- Mixers.

Material

Sealing lip	PTFE 10/F56101 carbon-filled, exactly centred and pre-stretched
Metal housing	Stainless steel as per material No. 1.4571
O-ring	Fluoro elastomer

Operating conditions

Media	Mineral oils, synthetic oils, greases, water, acids, alkalis, solvents, gases
T	-80 ... +200 °C
v	to 30 m/s
p	to 1 MPa/10 bar

Max. permissible values depend on the other operating conditions.

Fitting & installation

Shaft

Tolerance	ISO h 11
Runout	IT 8
Roughness	$R_a = 0,2 \dots 0,4 \mu\text{m}$
	$R_z = 1,0 \dots 5,0 \mu\text{m}$
	$R_{max} = <6,3 \mu\text{m}$
Hardness	45 ... 60 HRC
Finish	No lead; preferably plunge ground

Housing bore

Tolerance	ISO H8
Roughness	$R_z = 6,3 \dots 16 \mu\text{m}$

Careful fitting according to DIN 3760 is a prerequisite for the correct function of the seal → Technical Manual.

Range of dimensions for shafts-Ø d₁

Simmerring B2PT	10 ... 125 mm
-----------------	---------------

Article list

d ₁	d ₂	b	DIN 3761	Outer surface	Pressure	Material	Article No.	
10	22	7	C	metal	up to 1 MPa	PTFE F56101	406518	●
12	22	7	C	metal	up to 1 MPa	PTFE F56101	406519	●
12	25	7	C	metal	up to 1 MPa	PTFE F56101	406523	●
14	30	7	C	metal	up to 1 MPa	PTFE F56101	406526	●
15	30	7	C	metal	up to 1 MPa	PTFE F56101	406529	●
15	32	7	C	metal	up to 1 MPa	PTFE F56101	406530	●
16	35	7	C	metal	up to 1 MPa	PTFE F56101	406531	●
17	35	7	C	metal	up to 1 MPa	PTFE F56101	406532	●
18	32	7	C	metal	up to 1 MPa	PTFE F56101	406533	●
20	30	7	C	metal	up to 1 MPa	PTFE F56101	406536	●
20	32	7	C	metal	up to 1 MPa	PTFE F56101	406537	●
20	35	7	C	metal	up to 1 MPa	PTFE F56101	406538	●
20	40	7	C	metal	up to 1 MPa	PTFE F56101	406539	●
20	47	7	C	metal	up to 1 MPa	PTFE F56101	406540	●
25	38	7	C	metal	up to 1 MPa	PTFE F56101	406568	●
25	40	7	C	metal	up to 1 MPa	PTFE F56101	406569	●
25	42	7	C	metal	up to 1 MPa	PTFE F56101	406570	●
25	47	7	C	metal	up to 1 MPa	PTFE F56101	406571	●
25	52	7	C	metal	up to 1 MPa	PTFE F56101	406572	●
28	47	7	C	metal	up to 1 MPa	PTFE F56101	406616	●
30	40	7	C	metal	up to 1 MPa	PTFE F56101	406617	●
30	45	7	C	metal	up to 1 MPa	PTFE F56101	406619	●
30	47	7	C	metal	up to 1 MPa	PTFE F56101	406620	●
30	50	7	C	metal	up to 1 MPa	PTFE F56101	406621	●
32	47	8	C	metal	up to 1 MPa	PTFE F56101	406650	●
35	47	8	C	metal	up to 1 MPa	PTFE F56101	406651	●
35	50	8	C	metal	up to 1 MPa	PTFE F56101	406652	●
35	52	8	C	metal	up to 1 MPa	PTFE F56101	406653	●
35	55	8	C	metal	up to 1 MPa	PTFE F56101	406698	●
35	62	8	C	metal	up to 1 MPa	PTFE F56101	406699	●
38	55	8	C	metal	up to 1 MPa	PTFE F56101	406700	●
40	52	8	C	metal	up to 1 MPa	PTFE F56101	406701	●
40	55	8	C	metal	up to 1 MPa	PTFE F56101	406702	●
40	60	8	C	metal	up to 1 MPa	PTFE F56101	406713	●
40	62	8	C	metal	up to 1 MPa	PTFE F56101	406715	●
42	55	8	C	metal	up to 1 MPa	PTFE F56101	406716	●
42	62	8	C	metal	up to 1 MPa	PTFE F56101	415465	○
45	60	8	C	metal	up to 1 MPa	PTFE F56101	406717	●
45	62	8	C	metal	up to 1 MPa	PTFE F56101	406789	●
45	62	8	C	metal	up to 1 MPa	PTFE F56101	529449	○
45	65	8	C	metal	up to 1 MPa	PTFE F56101	406792	●
48	62	8	C	metal	up to 1 MPa	PTFE F56101	374565	○
50	62	8	C	metal	up to 1 MPa	PTFE F56101	406798	●
50	68	8	C	metal	up to 1 MPa	PTFE F56101	406801	●
50	70	8	C	metal	up to 1 MPa	PTFE F56101	406802	●
50	72	8	C	metal	up to 1 MPa	PTFE F56101	406804	●
50	72	8	C	metal	up to 1 MPa	PTFE F56101	529450	○
52	72	8	C	metal	up to 1 MPa	PTFE F56101	362508	○
52	72	8	C	metal	up to 1 MPa	PTFE F56101	406805	●

● Available from stock ○ On request: Tool is available, delivery at short notice

d ₁	d ₂	b	DIN 3761	Outer surface	Pressure	Material	Article No.	
55	70	8	C	metal	up to 1 MPa	PTFE F56101	406820	●
55	72	10	C	metal	up to 1 MPa	PTFE F56101	353545	●
55	80	8	C	metal	up to 1 MPa	PTFE F56101	406821	●
60	75	8	C	metal	up to 1 MPa	PTFE F56101	406823	●
60	80	8	C	metal	up to 1 MPa	PTFE F56101	406825	●
60	80	8	C	metal	up to 1 MPa	PTFE F56101	529451	○
60	80	10	C	metal	up to 1 MPa	PTFE F56101	353546	○
65	80	10	C	metal	up to 1 MPa	PTFE F56101	406826	●
65	85	10	C	metal	up to 1 MPa	PTFE F56101	406827	●
70	90	10	C	metal	up to 1 MPa	PTFE F56101	406771	●
70	100	10	C	metal	up to 1 MPa	PTFE F56101	406829	●
72	100	10	C	metal	up to 1 MPa	PTFE F56101	406831	●
75	95	10	C	metal	up to 1 MPa	PTFE F56101	406832	●
75	100	10	C	metal	up to 1 MPa	PTFE F56101	526214	●
75	100	10	C	metal	up to 1 MPa	PTFE F56101	529452	○
80	100	10	C	metal	up to 1 MPa	PTFE F56101	406772	●
80	110	10	C	metal	up to 1 MPa	PTFE F56101	406833	●
85	110	10	C	metal	up to 1 MPa	PTFE F56101	406834	●
85	110	10	C	metal	up to 1 MPa	PTFE F56101	529453	○
90	110	10	C	metal	up to 1 MPa	PTFE F56101	406773	●
95	120	12	C	metal	up to 1 MPa	PTFE F56101	406835	●
100	120	12	C	metal	up to 1 MPa	PTFE F56101	406774	●
100	130	12	C	metal	up to 1 MPa	PTFE F56101	406837	●
105	130	12	C	metal	up to 1 MPa	PTFE F56101	406839	●
110	130	12	C	metal	up to 1 MPa	PTFE F56101	406775	●
110	140	12	C	metal	up to 1 MPa	PTFE F56101	406840	●
115	140	12	C	metal	up to 1 MPa	PTFE F56101	406841	●
120	140	12	C	metal	up to 1 MPa	PTFE F56101	406842	●
125	150	12	C	metal	up to 1 MPa	PTFE F56101	406838	●
140	170	15	C	metal	up to 1 MPa	PTFE F56101	365200	○
175	205	15	C	metal	up to 1 MPa	PTFE F56101	471887	○

● Available from stock ○ On request: Tool is available, delivery at short notice

Simmerring BA.../SL to DIN 3760 A/AS

Simmerring BAUX2, BAUSLX2, BAFUDX7, BAFUDSLX7, BA, BASL, BAU, BAUSL

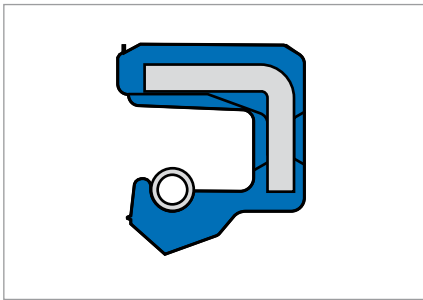


Fig. 1 Simmerring BA...SL NBR

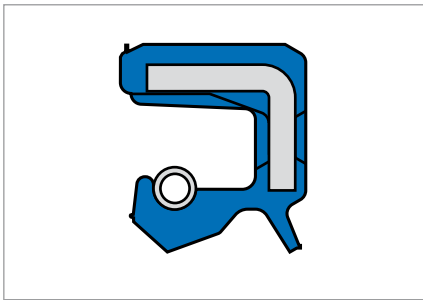


Fig. 2 Simmerring BA...SL NBR

Product advantages

- Broad range of applications in every sector of industry
- Reliable sealing of the housing bore, even with increased roughness of the bore, thermal expansion and split housings, thus a sealing of low viscosity and gaseous media also possible
- Additional dust lip as additional seal against moderate and medium dust and dirt ingress from outside (BA...SL). (Note: can lead to temperature increase from frictional heat).

Application

- Industrial gearboxes
- Axles (when subject to moderate dirt)
- Power tools.

Material

Acrylonitrile-butadiene rubber

Code	72 NBR 902
Colour	Blue
Hardness	72 Shore A
Metal insert	Unalloyed steel DIN 1624
Spring	Spring steel DIN 17223

Product description

- Outer casing: elastomer (smooth or grooved = X7)
- Spring-loaded sealing lip
- Additional dust lip (BA...SL)
- Sealing lip profile, sealing lip machined on the front face (BAUX2, BAUSLX2 = preferred type)
- Sealing lip profile, finished sealing lip (BAFUDX7/BAFUDSLX7).

Operating conditions

Media	Mineral oils, synthetic oils*, greases
T	-40 ... +100 °C short term up to... +120 °C
v	<p>Permissible circumferential speed for Simmerrings made from the materials NBR (72 NBR 902) and FKM (75 FKM 585) for the sealing of motor oil SAE 20. Use Simmerring® with SL (dust lip): v = max. 8 m/s.</p>
p	up to 0,05 MPa/0,5 bar for >0,05 MPa/0,5 bar, a Simmerring with back-up ring can be used → Technical handbook. up to 0,02 MPa/0,2 bar (BAFUDX7/BAFUDSLX7)

* With synthetic oils (polyalkylene glycols/polyalphaolefins, → Technical Manual synthetic lubricants) it is to be noted that the maximum operating temperature of 80 °C must not be exceeded.

Max. permissible values depend on the other operating conditions.

Fitting & installation

Shaft

Tolerance	ISO h 11
Runout	IT 8
Roughness	$R_a = 0,2 \dots 0,8 \mu\text{m}$
	$R_z = 1,0 \dots 5,0 \mu\text{m}$
	$R_{max} = <6,3 \mu\text{m}$
Hardness	45 ... 60 HRC
Finish	No lead; preferably plunge ground

Housing bore

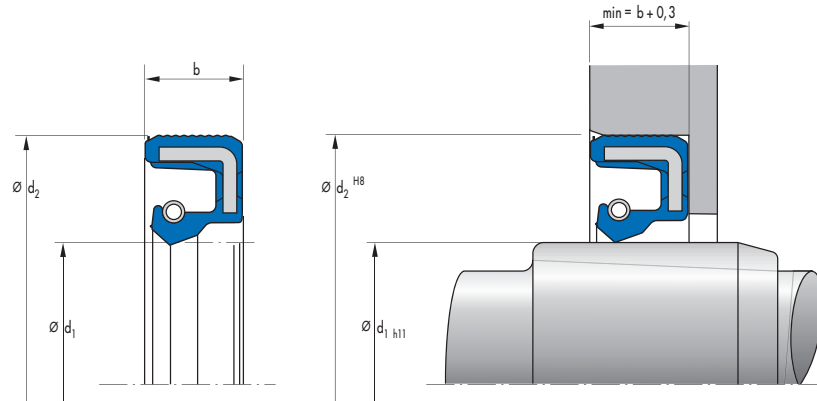
Tolerance	ISO H8
Roughness rubber OD covering	$R_z = 10 \dots 25 \mu\text{m}$

Careful fitting according to DIN 3760 is a prerequisite for the correct function of the seal → Technical Manual.

Range of dimensions for shafts-Ø d₁

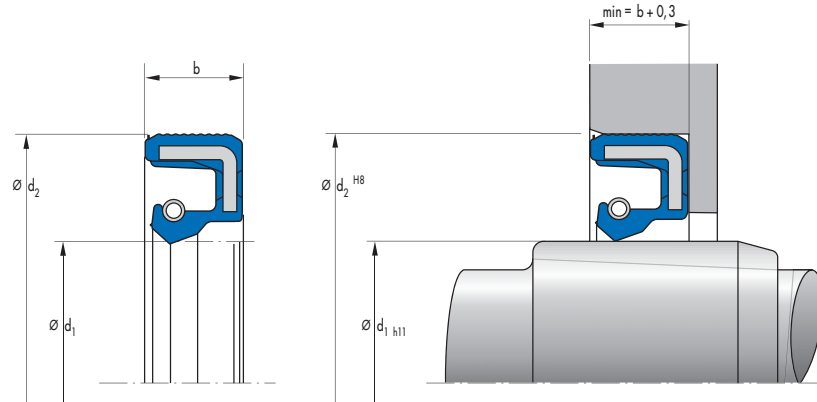
Simmerring BA...	4 ... 600 mm
Simmerring BA...SL	8 ... 300 mm

Article list



d_1	d_2	b	DIN 3761	Outer surface	Pressure	Material	Type	Article No.	
4	12	6	A	smooth	0,05	72 NBR 902	BA	6325	●
4	16	7	A	smooth	0,05	72 NBR 902	BA	1931	●
5	15	6	A	smooth	0,02	72 NBR 902	BAFUD	405057	●
5	19	5	A	smooth	0,05	72 NBR 902	BA	32513	●
5	22	8	A	smooth	0,05	72 NBR 902	BA	6335	●
6	16	5	A	smooth	0,05	72 NBR 902	BA	12019071	●
6	16	7	A	smooth	0,05	72 NBR 902	BA	6341	●
6	19	6	A	smooth	0,05	72 NBR 902	BAU	6344	●
6	22	7	A	grooved	0,02	72 NBR 902	BAFUDX7	6352	●
6	22	7	A	grooved	0,02	72 NBR 902	BAFUDX7	527276	○
6	22	7	AS	smooth	0,02	72 NBR 902	BAFUDSL	12011104	●
7	16	7	A	smooth	0,05	72 NBR 902	BA	6365	●
7	22	6	A	smooth	0,05	72 NBR 902	BA	6372	●
7	22	7	A	smooth	0,05	72 NBR 902	BA	6374	●
8	16	7	A	smooth	0,05	72 NBR 902	BA	7566	●
8	16	7	AS	smooth	0,05	72 NBR 902	BASL	409737	●
8	18	5	A	smooth	0,05	72 NBR 902	BA	6397	●
8	20	8	A	smooth	0,05	72 NBR 902	BA	6403	●
8	22	6	A	smooth	0,05	72 NBR 902	BAU	6405	●
8	22	7	A	smooth	0,05	72 NBR 902	BA	6412	●
8	22	8	A	smooth	0,05	72 NBR 902	BA	6418	●
8	24	7	A	smooth	0,05	72 NBR 902	BA	6421	●
9	18	6	A	smooth	0,05	72 NBR 902	BA	6431	●
9	22	7	A	smooth	0,05	72 NBR 902	BA	6438	●
9	24	7	A	smooth	0,05	72 NBR 902	BAU	6443	●
9	26	7	A	smooth	0,05	72 NBR 902	BA	6445	●
9,5	25,4	8	A	smooth	0,05	72 NBR 902	BAU	6454	●
10	16	4	A	smooth	0,02	72 NBR 902	BAFUD	12000016	●
10	18	4	A	smooth	0,02	72 NBR 902	BAFUD	12000017	●
10	18	6	A	smooth	0,02	72 NBR 902	BAFUD	470999	●
10	19	7	AS	smooth	0,05	72 NBR 902	BASL	6463	●
10	19	7	A	smooth	0,02	72 NBR 902	BAFUD	471001	●
10	20	6	A	smooth	0,05	72 NBR 902	BA	6467	●
10	22	7	A	grooved	0,02	72 NBR 902	BAFUDX7	362172	●
10	22	8	A	smooth	0,05	72 NBR 902	BA	6485	●

● Available from stock ○ On request: Tool is available, delivery at short notice

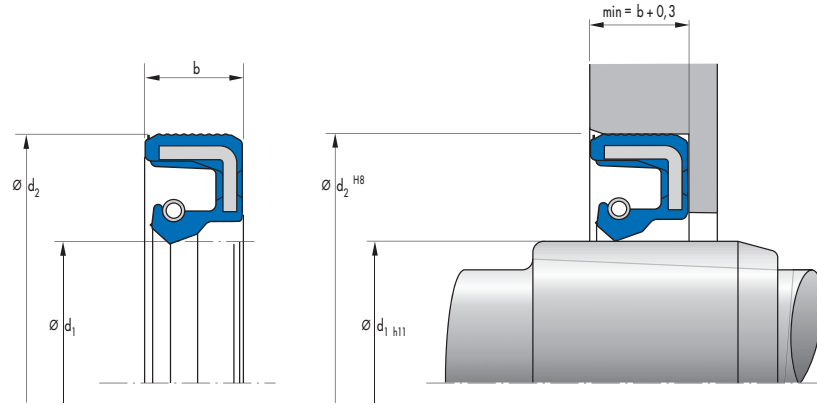


d ₁	d ₂	b	DIN 3761	Outer surface	Pressure	Material	Type	Article No.	
10	22	8	AS	smooth	0,05	72 NBR 902	BASL	6486	●
10	24	7	A	smooth	0,05	72 NBR 902	BA	6492	●
10	26	7	AS	smooth	0,05	72 NBR 902	BASL	3360	●
10	26	7	A	smooth	0,05	72 NBR 902	BA	6501	●
10	28	7	A	smooth	0,05	72 NBR 902	BAU	6504	●
10	30	10	A	smooth	0,05	72 NBR 902	BA	6511	●
11	17	4	A	smooth	0,02	72 NBR 902	BAFUD	12010767	●
11	22	7	A	smooth	0,05	72 NBR 902	BA	6518	●
11	26	7	A	smooth	0,05	72 NBR 902	BA	6528	●
12	19	5	A	smooth	0,05	72 NBR 902	BA	6550	●
12	20	7	A	smooth	0,02	72 NBR 902	BAFUD	12010771	●
12	22	4	A	grooved	0,02	72 NBR 902	BAFUDX7	436286	●
12	22	6,5	A	smooth	0,05	72 NBR 902	BA	6555	●
12	22	7	A	smooth	0,05	72 NBR 902	BAU	6564	●
12	24	6,5	A	smooth	0,05	72 NBR 902	BA	6572	●
12	24	7	A	smooth	0,05	72 NBR 902	BA	6575	●
12	25	5	A	smooth	0,05	72 NBR 902	BAUX2	6582	●
12	25	6	A	smooth	0,05	72 NBR 902	BAU	49016141	●
12	25	8	A	smooth	0,05	72 NBR 902	BAU	6590	●
12	26	8	A	smooth	0,05	72 NBR 902	BAU	6598	●
12	28	5	AS	smooth	0,05	72 NBR 902	BAUSLX2	526251	●
12	28	7	AS	smooth	0,02	72 NBR 902	BAFUDSL	12011106	●
12	28	7	A	smooth	0,05	72 NBR 902	BAUX2	49004096	●
12	30	7	A	smooth	0,05	72 NBR 902	BA	2669	●
12	30	10	A	smooth	0,05	72 NBR 902	BA	6620	●
12	30	12	A	smooth	0,05	72 NBR 902	BA	6629	●
12	32	7	A	smooth	0,05	72 NBR 902	BAUX2	49004095	●
12	32	10	A	smooth	0,05	72 NBR 902	BA	6633	●
12	35	10	A	smooth	0,05	72 NBR 902	BAU	6635	●
12,7	22	6	A	smooth	0,05	72 NBR 902	BAU	6637	●
13	22	4	A	smooth	0,02	72 NBR 902	BAFUD	12010781	●
13	23	6	A	smooth	0,05	72 NBR 902	BA	6656	●
13	25	5	A	smooth	0,05	72 NBR 902	BA	6658	●
13	26	7	A	smooth	0,05	72 NBR 902	BAU	6663	●
13	28	7	AS	smooth	0,05	72 NBR 902	BASL	3367	●
13	30	8	A	smooth	0,05	72 NBR 902	BA	6671	●

● Available from stock ○ On request: Tool is available, delivery at short notice

d ₁	d ₂	b	DIN 3761	Outer surface	Pressure	Material	Type	Article No.	
14	22	4	A	smooth	0,05	72 NBR 902	BA	33554	●
14	23	7	A	smooth	0,05	72 NBR 902	BAU	6683	●
14	24	7	AS	smooth	0,05	72 NBR 902	BAUSLX2	86818	○
14	24	7	A	smooth	0,05	72 NBR 902	BA	531005	●
14	24	7	A	smooth	0,05	72 NBR 902	BA	12010784	○
14	25	5	A	smooth	0,05	72 NBR 902	BA	6694	●
14	26	7	A	smooth	0,05	72 NBR 902	BA	6700	●
14	28	7	A	grooved	0,02	72 NBR 902	BAFUDX7	355486	●
14	28	7	AS	smooth	0,02	72 NBR 902	BAFUDSL	12011750	●
14	30	7	A	smooth	0,05	72 NBR 902	BAU	6713	●
14	30	10	A	smooth	0,05	72 NBR 902	BAU	6717	●
14	30	10	AS	smooth	0,05	72 NBR 902	BASL	38284	●
14	32	10	A	smooth	0,05	72 NBR 902	BA	6723	●
14	35	7	A	smooth	0,05	72 NBR 902	BA	31450	●
14	35	10	A	smooth	0,05	72 NBR 902	BA	6726	●
15	24	5	A	smooth	0,02	72 NBR 902	BAFUD	12010789	●
15	24	6	AS	smooth	0,02	72 NBR 902	BAFUDSL	12011107	●
15	24	7	A	smooth	0,05	72 NBR 902	BA	6736	●
15	24	7	AS	smooth	0,02	72 NBR 902	BAFUDSL	12000444	●
15	25	5	A	smooth	0,05	72 NBR 902	BA	532053	●
15	25	6	A	smooth	0,05	72 NBR 902	BAUSL	49016152	●
15	26	7	A	smooth	0,05	72 NBR 902	BA	6747	○
15	26	7	A	smooth	0,05	72 NBR 902	BAUSL	6749	●
15	26	7	A	smooth	0,05	72 NBR 902	BA	12010791	○
15	26	7	A	smooth	0,05	72 NBR 902	BAUX2	49028520	●
15	28	9	A	smooth	0,05	72 NBR 902	BA	6753	●
15	30	4,5	A	smooth	0,02	72 NBR 902	BAFUD	12010793	●
15	30	7	A	smooth	0,05	72 NBR 902	BAUX2	478442	●
15	30	7	AS	smooth	0,02	72 NBR 902	BAFUDSL	12011109	●
15	30	8	AS	smooth	0,05	72 NBR 902	BASL	6764	●
15	30	10	A	smooth	0,05	72 NBR 902	BAU	7592	●
15	32	7	A	smooth	0,02	72 NBR 902	BAFUD	49001626	●
15	32	10	A	smooth	0,05	72 NBR 902	BAU	6780	●
15	35	7	A	smooth	0,05	72 NBR 902	BAU	6784	●
15	35	7	A	grooved	0,02	72 NBR 902	BAFUDX7	355422	●
15	35	7	AS	smooth	0,05	72 NBR 902	BAUSLX2	49016894	●
15	35	7	A	smooth	0,05	72 NBR 902	BAUX2	49032758	●
15	35	8	A	smooth	0,05	72 NBR 902	BA	7595	●
15	35	10	A	smooth	0,05	72 NBR 902	BA	6795	●
15	35	10	AS	smooth	0,05	72 NBR 902	BASL	6796	●
15	37	10	A	smooth	0,05	72 NBR 902	BAU	459238	○
15	40	7	A	smooth	0,05	72 NBR 902	BAUX2	522178	●
15	40	10	A	smooth	0,05	72 NBR 902	BA	6802	●
15	42	7	A	grooved	0,05	72 NBR 902	BAUX27	451922	●
15	42	10	A	smooth	0,05	72 NBR 902	BAU	6805	●
16	24	4	A	smooth	0,02	72 NBR 902	BAFUD	12010799	●
16	24	5	A	smooth	0,02	72 NBR 902	BAFUD	12010800	●
16	24	7	A	smooth	0,02	72 NBR 902	BAFUD	12010801	●
16	26	7	A	smooth	0,05	72 NBR 902	BA	33708	●
16	26	7	A	smooth	0,05	72 NBR 902	BA	49002635	○

● Available from stock ○ On request: Tool is available, delivery at short notice

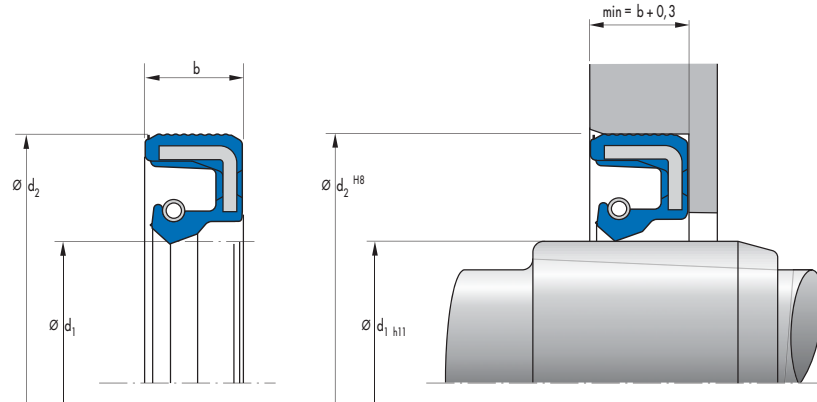


d ₁	d ₂	b	DIN 3761	Outer surface	Pressure	Material	Type	Article No.	
16	28	7	AS	grooved	0,02	72 NBR 902	BAFUDSLX7	335565	●
16	28	7	A	smooth	0,02	72 NBR 902	BAFUD	49001630	●
16	28	7	AS	smooth	0,05	72 NBR 902	BAUSLX2	49013602	●
16	30	7	A	smooth	0,05	72 NBR 902	BAU	6829	●
16	30	10	A	smooth	0,05	72 NBR 902	BAU	6839	●
16	32	7	A	smooth	0,05	72 NBR 902	BA	13972	○
16	32	7	A	smooth	0,05	72 NBR 902	BAUX2	525282	●
16	32	10	A	smooth	0,05	72 NBR 902	BAU	6845	●
16	35	7	A	smooth	0,05	72 NBR 902	BA	2746	●
16	35	9	AS	smooth	0,05	72 NBR 902	BASL	6847	○
16	35	10	A	smooth	0,05	72 NBR 902	BA	6851	●
16	40	10	A	smooth	0,05	72 NBR 902	BAU	6857	●
16	47	7	A	grooved	0,05	72 NBR 902	BAUX27	451923	●
17	25	4	A	smooth	0,02	72 NBR 902	BAFUD	12010806	●
17	26	6	A	smooth	0,05	72 NBR 902	BA	7616	●
17	28	6	A	smooth	0,02	72 NBR 902	BAFUD	532597	●
17	28	7	A	smooth	0,05	72 NBR 902	BA	6870	○
17	28	7	AS	smooth	0,05	72 NBR 902	BAUSLX2	49001668	●
17	28	7	A	smooth	0,05	72 NBR 902	BAUX2	49023151	●
17	30	7	AS	smooth	0,05	72 NBR 902	BASL	6878	●
17	30	7	AS	smooth	0,05	72 NBR 902	BASL	384327	○
17	30	7	A	smooth	0,05	72 NBR 902	BAUX2	507567	●
17	32	7	AS	smooth	0,05	72 NBR 902	BASL	2184	●
17	32	7	A	grooved	0,02	72 NBR 902	BAFUDX7	355628	●
17	32	10	A	smooth	0,05	72 NBR 902	BA	6884	●
17	33	9	AS	smooth	0,05	72 NBR 902	BASL	31254	●
17	35	7	A	smooth	0,05	72 NBR 902	BAUX2	478759	●
17	35	7	AS	smooth	0,05	72 NBR 902	BAUSLX2	524144	●
17	35	8	A	smooth	0,05	72 NBR 902	BAU	6893	○
17	35	10	AS	smooth	0,05	72 NBR 902	BASL	6898	●
17	35	10	A	smooth	0,05	72 NBR 902	BA	6899	●
17	37	7	A	smooth	0,05	72 NBR 902	BA	6904	●
17	37	7	AS	smooth	0,05	72 NBR 902	BASL	392791	●
17	40	7	A	smooth	0,05	72 NBR 902	BAUX2	478443	●
17	40	7	AS	smooth	0,05	72 NBR 902	BAUSLX2	524509	●
17	40	8,5	A	smooth	0,02	72 NBR 902	BAFUD	12010814	●

● Available from stock ○ On request: Tool is available, delivery at short notice

d ₁	d ₂	b	DIN 3761	Outer surface	Pressure	Material	Type	Article No.	
17	40	10	A	smooth	0,05	72 NBR 902	BAU	7653	●
17	47	7	A	grooved	0,02	72 NBR 902	BAUX7	356743	●
17	47	10	A	smooth	0,05	72 NBR 902	BAU	6924	●
17,5	28	6	A	smooth	0,02	72 NBR 902	BAFUD	1200066	●
18	28	7	A	smooth	0,05	72 NBR 902	BA	128888	○
18	28	7	A	grooved	0,02	72 NBR 902	BAFUDX7	355487	●
18	30	7	A	smooth	0,05	72 NBR 902	BA	7664	●
18	30	7	AS	grooved	0,02	72 NBR 902	BAFUDSLX7	334286	●
18	32	7	A	smooth	0,05	72 NBR 902	BAU	2751	●
18	32	8	AS	smooth	0,05	72 NBR 902	BASL	6959	●
18	35	7	A	smooth	0,05	72 NBR 902	BA	2752	●
18	35	7	AS	grooved	0,05	72 NBR 902	BAUSLX27	451667	●
18	35	8	A	smooth	0,05	72 NBR 902	BA	6967	●
18	35	10	A	smooth	0,05	72 NBR 902	BAUSL	6978	●
18	35	10	A	smooth	0,05	72 NBR 902	BA	6979	●
18	35	10	A	smooth	0,05	72 NBR 902	BA	6980	○
18	37	10	A	smooth	0,05	72 NBR 902	BA	6984	●
18	40	7	A	smooth	0,05	72 NBR 902	BA	9588	●
18	40	10	A	smooth	0,05	72 NBR 902	BA	6989	●
18	47	10	AS	smooth	0,05	72 NBR 902	BAUSLX2	520530	●
19	27	6	A	smooth	0,05	72 NBR 902	BAU	6994	●
19	30	7	A	grooved	0,02	72 NBR 902	BAFUDX7	355620	●
19	32	7	A	smooth	0,05	72 NBR 902	BAU	49002842	●
19	35	9	AS	smooth	0,05	72 NBR 902	BASL	7003	●
19	35	10	A	smooth	0,05	72 NBR 902	BA	7008	●
19	40	10	A	smooth	0,05	72 NBR 902	BA	7015	●
19,05	31,75	6,35	A	smooth	0,05	72 NBR 902	BA	7022	●
20	28	6	A	smooth	0,02	72 NBR 902	BAFUD	532598	●
20	30	5	A	smooth	0,05	72 NBR 902	BAUX2	524143	●
20	30	5	A	smooth	0,05	72 NBR 902	BAUX2	49033332	●
20	30	7	A	smooth	0,05	72 NBR 902	BAUX2	478758	●
20	30	7	AS	smooth	0,05	72 NBR 902	BAUSLX2	524648	●
20	32	7	AS	grooved	0,02	72 NBR 902	BAFUDSLX7	334813	●
20	32	7	A	smooth	0,02	72 NBR 902	BAFUD	532599	●
20	33	10	A	smooth	0,05	72 NBR 902	BAU	7071	●
20	35	6	A	grooved	0,02	72 NBR 902	BAFUDX7	334287	●
20	35	7	A	smooth	0,05	72 NBR 902	BAUX2	478761	●
20	35	7	AS	smooth	0,05	72 NBR 902	BAUSLX2	478764	●
20	35	8	A	smooth	0,05	72 NBR 902	BAU	7081	●
20	35	10	A	smooth	0,05	72 NBR 902	BAUSL	7095	●
20	35	10	A	smooth	0,05	72 NBR 902	BAUX2	49018325	●
20	36	7	A	smooth	0,05	72 NBR 902	BAUX2	49007343	●
20	37	10	A	smooth	0,05	72 NBR 902	BAU	7110	●
20	38	8	A	smooth	0,05	72 NBR 902	BA	7112	●
20	40	6	A	smooth	0,05	72 NBR 902	BA	7714	●
20	40	7	A	smooth	0,05	72 NBR 902	BA	7718	○
20	40	7	AS	smooth	0,05	72 NBR 902	BASL	7721	●
20	40	7	A	grooved	0,02	72 NBR 902	BAFUDX7	344888	●
20	40	7	A	smooth	0,05	72 NBR 902	BAUX2	529398	●
20	40	8	A	smooth	0,05	72 NBR 902	BA	7124	●

● Available from stock ○ On request: Tool is available, delivery at short notice

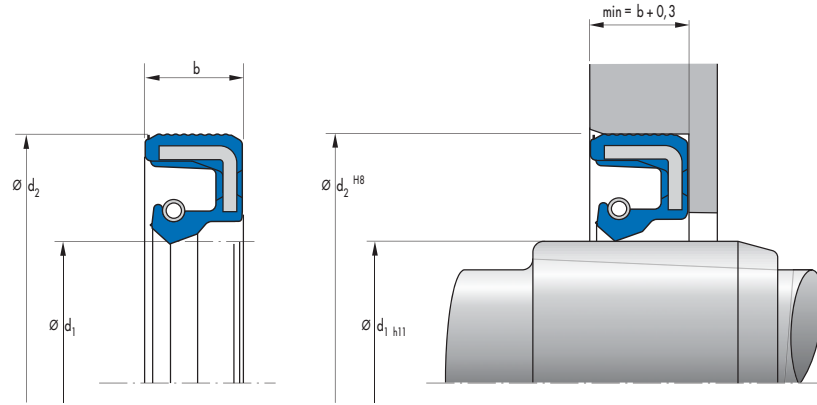


d ₁	d ₂	b	DIN 3761	Outer surface	Pressure	Material	Type	Article No.	
20	40	10	A	smooth	0,05	72 NBR 902	BAU	7136	●
20	40	10	A	smooth	0,05	72 NBR 902	BA	11604	●
20	42	7	A	smooth	0,05	72 NBR 902	BAUX2	521667	●
20	42	7	AS	smooth	0,05	72 NBR 902	BAUSLX2	49004094	●
20	42	10	A	smooth	0,05	72 NBR 902	BA	7723	●
20	47	7	A	smooth	0,05	72 NBR 902	BAUX2	526946	●
20	47	7	AS	smooth	0,02	72 NBR 902	BAFUDSL	12011119	●
20	47	10	A	smooth	0,05	72 NBR 902	BAU	7724	●
20	52	8	AS	smooth	0,05	72 NBR 902	BAUSLX2	526094	●
20	52	10	A	smooth	0,05	72 NBR 902	BAUX2	478760	●
21	32	7	A	smooth	0,05	72 NBR 902	BAU	7194	●
21	32	7	A	smooth	0,05	72 NBR 902	BAUX2	49034522	●
21	35	8	A	smooth	0,05	72 NBR 902	BA	7197	●
21	40	10	A	smooth	0,05	72 NBR 902	BAU	7209	●
22	32	7	A	smooth	0,05	72 NBR 902	BA	7217	●
22	32	7	AS	smooth	0,05	72 NBR 902	BASL	7530	●
22	32	7	A	smooth	0,02	72 NBR 902	BAFUD	49001651	●
22	33	7	A	smooth	0,05	72 NBR 902	BAU	8976	●
22	35	6,5	A	smooth	0,05	72 NBR 902	BAU	7230	●
22	35	7	AS	grooved	0,02	72 NBR 902	BAFUDSLX7	346137	●
22	35	7	A	smooth	0,05	72 NBR 902	BAUX2	49001670	●
22	35	8	A	smooth	0,05	72 NBR 902	BA	7727	●
22	35	10	A	smooth	0,05	72 NBR 902	BAU	7238	●
22	37	7	A	smooth	0,05	72 NBR 902	BA	7243	●
22	38	8	A	smooth	0,05	72 NBR 902	BA	7249	●
22	40	7	AS	smooth	0,05	72 NBR 902	BAUSLX2	478610	●
22	40	7	A	smooth	0,05	72 NBR 902	BAUX2	478757	●
22	40	7	A	smooth	0,02	72 NBR 902	BAFUD	12011120	●
22	40	8	A	smooth	0,05	72 NBR 902	BAU	7252	●
22	40	9	AS	smooth	0,05	72 NBR 902	BASL	7254	○
22	40	10	A	smooth	0,05	72 NBR 902	BAU	7259	●
22	42	10	A	smooth	0,05	72 NBR 902	BAU	7269	●
22	45	7	A	smooth	0,05	72 NBR 902	BAU	7273	●
22	47	7	A	smooth	0,05	72 NBR 902	BAUX2	524511	●
22	47	7	AS	smooth	0,05	72 NBR 902	BAUSLX2	526318	●
22	47	10	A	smooth	0,05	72 NBR 902	BAU	7282	●

● Available from stock ○ On request: Tool is available, delivery at short notice

d ₁	d ₂	b	DIN 3761	Outer surface	Pressure	Material	Type	Article No.	
22	62	10	AS	smooth	0,05	72 NBR 902	BAUSLX2	520529	●
23	40	8	A	smooth	0,05	72 NBR 902	BAU	7301	●
23	40	8	AS	grooved	0,02	72 NBR 902	BAFUDSLX7	397856	○
23	40	10	A	grooved	0,02	72 NBR 902	BAFUDX7	334797	●
23	42	10	A	smooth	0,05	72 NBR 902	BAU	339040	●
23	47	10	A	smooth	0,05	72 NBR 902	BA	7311	●
24	35	7	A	smooth	0,05	72 NBR 902	BAU	523554	●
24	36	7	AS	smooth	0,05	72 NBR 902	BASL	7325	●
24	36	9	A	smooth	0,05	72 NBR 902	BAU	7329	●
24	37	7	A	smooth	0,05	72 NBR 902	BAU	7331	●
24	40	7	A	smooth	0,05	72 NBR 902	BA	37887	●
24	40	10	A	smooth	0,05	72 NBR 902	BAU	7337	●
24	42	10	A	smooth	0,05	72 NBR 902	BA	7340	●
24	47	7	A	smooth	0,05	72 NBR 902	BA	13989	●
24	47	10	A	smooth	0,05	72 NBR 902	BAUX2	533292	●
24	50	10	A	smooth	0,05	72 NBR 902	BAU	7350	●
24	62	10	A	grooved	0,05	72 NBR 902	BAUX27	451668	●
25	33	6	A	smooth	0,05	72 NBR 902	BA	347393	○
25	33	6	A	smooth	0,02	72 NBR 902	BAFUD	532600	●
25	35	7	AS	smooth	0,05	72 NBR 902	BAUSLX2	478777	●
25	35	7	A	smooth	0,05	72 NBR 902	BAUX2	49001662	●
25	35	7	A	smooth	0,05	72 NBR 902	BAUX2	49010730	○
25	35	8	A	smooth	0,05	72 NBR 902	BAU	7374	●
25	36	7	A	smooth	0,05	72 NBR 902	BA	7380	●
25	37	5	A	smooth	0,02	72 NBR 902	BAFUD	12010847	●
25	37	7	A	smooth	0,05	72 NBR 902	BA	317308	○
25	37	7	A	smooth	0,05	72 NBR 902	BAUX2	49028651	●
25	38	7	A	smooth	0,05	72 NBR 902	BA	7389	●
25	40	5	A	grooved	0,02	72 NBR 902	BAFUDX27	355425	●
25	40	7	A	smooth	0,05	72 NBR 902	BAU	324743	●
25	40	7	AS	smooth	0,05	72 NBR 902	BAUSLX2	524142	●
25	40	7	A	smooth	0,05	72 NBR 902	BAUX2	529328	●
25	40	8	AS	smooth	0,05	72 NBR 902	BAUSLX2	49017913	●
25	40	9	A	smooth	0,05	72 NBR 902	BAUSL	7413	●
25	40	10	A	grooved	0,02	72 NBR 902	BAFUDX7	334805	●
25	42	6	AS	smooth	0,05	72 NBR 902	BAUSLX2	522901	●
25	42	6	A	smooth	0,02	72 NBR 902	BAFUD	12010853	●
25	42	7	A	smooth	0,05	72 NBR 902	BAU	112421	○
25	42	7	A	smooth	0,05	72 NBR 902	BAUX2	478756	●
25	42	7	AS	smooth	0,05	72 NBR 902	BAUSLX2	478776	●
25	42	10	A	smooth	0,05	72 NBR 902	BA	7426	●
25	42	10	A	grooved	0,02	72 NBR 902	BAFUDX7	334806	●
25	42,9	9,5	A	smooth	0,05	72 NBR 902	BA	7746	●
25	43	10	A	smooth	0,05	72 NBR 902	BA	7438	●
25	45	10	A	smooth	0,05	72 NBR 902	BA	7446	●
25	45	10	A	smooth	0,05	72 NBR 902	BAUSL	7755	●
25	46	7	A	smooth	0,05	72 NBR 902	BAU	7457	●
25	47	7	A	grooved	0,02	72 NBR 902	BAFUDX7	466318	○
25	47	7	A	smooth	0,05	72 NBR 902	BAUX2	478755	●
25	47	7	AS	smooth	0,05	72 NBR 902	BAUSLX2	478790	●

● Available from stock ○ On request: Tool is available, delivery at short notice

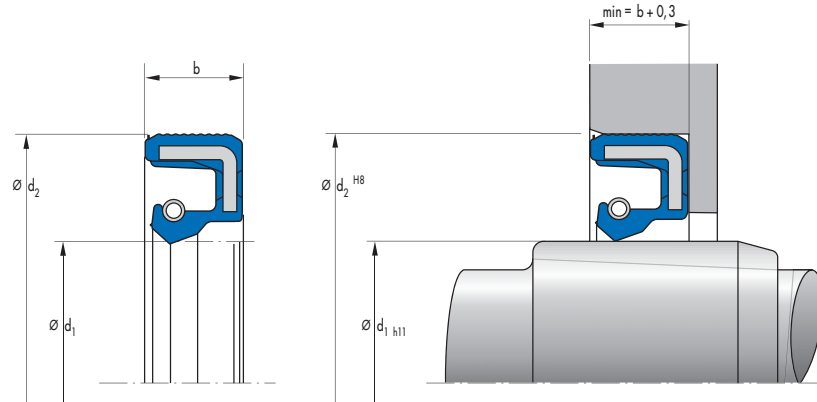


d ₁	d ₂	b	DIN 3761	Outer surface	Pressure	Material	Type	Article No.	
25	47	7	AS	smooth	0,02	72 NBR 902	BAFUDSL	12011125	●
25	47	8	A	smooth	0,05	72 NBR 902	BA	7460	●
25	47	10	A	smooth	0,05	72 NBR 902	BA	7467	●
25	47	10	A	grooved	0,02	72 NBR 902	BAFUDX7	355411	●
25	50	10	A	smooth	0,05	72 NBR 902	BA	7483	●
25	52	7	AS	smooth	0,05	72 NBR 902	BAUSLX2	524698	●
25	52	7	A	smooth	0,02	72 NBR 902	BAFUD	532617	●
25	52	8	A	smooth	0,05	72 NBR 902	BA	7488	●
25	52	10	A	grooved	0,02	72 NBR 902	BAFUDX7	334818	●
25	52	10	A	smooth	0,05	72 NBR 902	BAU	523415	●
25	62	7	AS	grooved	0,05	72 NBR 902	BAUSLX27	451924	●
25	62	10	A	smooth	0,05	72 NBR 902	BAU	7503	●
25	62	10	A	grooved	0,02	72 NBR 902	BAFUDX7	423372	●
26	35	7	AS	smooth	0,02	72 NBR 902	BAFUDSL	12000470	●
26	36	7	A	smooth	0,05	72 NBR 902	BAU	7520	●
26	37	7	A	smooth	0,05	72 NBR 902	BAUSL	3402	●
26	37	7	A	smooth	0,05	72 NBR 902	BAU	7525	●
26	42	7	A	grooved	0,02	72 NBR 902	BAFUDX7	355636	●
26	42	7	AS	smooth	0,02	72 NBR 902	BAFUDSL	12011128	●
26	42	10	A	smooth	0,05	72 NBR 902	BA	7535	●
26	42	10	AS	smooth	0,05	72 NBR 902	BASL	308072	●
26	47	7	A	smooth	0,05	72 NBR 902	BAU	9567	●
26	47	10	A	smooth	0,05	72 NBR 902	BAU	7540	●
26	50	10	A	smooth	0,05	72 NBR 902	BA	7546	●
26	52	8	A	smooth	0,02	72 NBR 902	BAFUD	12010869	●
26	52	10	A	smooth	0,05	72 NBR 902	BAU	7549	●
27	37	7	A	smooth	0,05	72 NBR 902	BAU	39052	●
27	41	10	A	smooth	0,05	72 NBR 902	BA	7558	●
27	42	10	A	smooth	0,02	72 NBR 902	BAFUD	12010871	●
27	47	6	A	smooth	0,05	72 NBR 902	BA	12010872	●
27	47	7	A	smooth	0,05	72 NBR 902	BA	7564	●
27	47	10	A	smooth	0,05	72 NBR 902	BA	7567	●
27	52	8	A	smooth	0,05	72 NBR 902	BA	7573	●
27	52	10	A	smooth	0,05	72 NBR 902	BA	7576	●
28	36	8	A	grooved	0,02	72 NBR 902	BAFUDX7	520461	●
28	38	7	A	smooth	0,05	72 NBR 902	BAU	7582	●

● Available from stock ○ On request: Tool is available, delivery at short notice

d ₁	d ₂	b	DIN 3761	Outer surface	Pressure	Material	Type	Article No.	
28	40	7	AS	smooth	0,05	72 NBR 902	BASL	7771	●
28	40	7	A	grooved	0,02	72 NBR 902	BAFUDX7	355391	●
28	42	8	A	smooth	0,05	72 NBR 902	BA	7601	●
28	42	8	AS	grooved	0,05	72 NBR 902	BAUSLX27	451925	●
28	42	10	AS	smooth	0,05	72 NBR 902	BASL	7603	●
28	42,5	8	A	smooth	0,05	72 NBR 902	BA	7605	●
28	42,9	9,5	A	smooth	0,05	72 NBR 902	BA	7608	●
28	43	10	A	smooth	0,05	72 NBR 902	BA	7611	●
28	45	7,5	A	grooved	0,02	72 NBR 902	BAFUDX7	520462	●
28	47	5	A	smooth	0,05	72 NBR 902	BA	7613	●
28	47	7	A	smooth	0,05	72 NBR 902	BAUX2	478466	●
28	47	7	AS	smooth	0,02	72 NBR 902	BAFUDSL	12011130	●
28	47	7	AS	smooth	0,05	72 NBR 902	BAUSLX2	49037522	●
28	47	9	AS	smooth	0,05	72 NBR 902	BASL	7618	●
28	47	10	A	smooth	0,05	72 NBR 902	BAU	7623	●
28	50	10	A	smooth	0,05	72 NBR 902	BAU	7631	●
28	52	7	A	smooth	0,05	72 NBR 902	BAU	13990	●
28	52	7	AS	grooved	0,05	72 NBR 902	BAUSLX27	451926	●
28	52	10	A	smooth	0,05	72 NBR 902	BAU	7639	●
28	52	10	AS	smooth	0,02	72 NBR 902	BAFUDSL	532618	●
28	52	10	AS	smooth	0,05	72 NBR 902	BAUSLX2	49037521	●
28	55	9	A	smooth	0,05	72 NBR 902	BA	7645	●
28	72	10	A	grooved	0,05	72 NBR 902	BAUX27	451927	●
29	42,9	9,5	A	smooth	0,05	72 NBR 902	BA	7650	●
29	43	7	A	smooth	0,05	72 NBR 902	BAU	7652	●
30	40	7	A	smooth	0,05	72 NBR 902	BAUX2	520216	●
30	40	7	AS	smooth	0,05	72 NBR 902	BAUSLX2	529402	●
30	40	8	AS	grooved	0,02	72 NBR 902	BAFUDSLX7	334820	●
30	42	5,7	A	smooth	0,05	72 NBR 902	BAUX2	478056	●
30	42	5,7	AS	smooth	0,05	72 NBR 902	BAUSLX2	478769	●
30	42	7	A	grooved	0,02	72 NBR 902	BAFUDX7	355384	●
30	42	7	A	smooth	0,05	72 NBR 902	BAUX2	524506	●
30	42	7	AS	smooth	0,05	72 NBR 902	BAUSLX2	529400	●
30	42	7	A	smooth	0,05	72 NBR 902	BAUX2	49001666	●
30	42	8	AS	smooth	0,05	72 NBR 902	BAUSLX2	49004319	●
30	45	7	A	smooth	0,05	72 NBR 902	BAU	7685	●
30	45	8	A	smooth	0,05	72 NBR 902	BAU	7686	●
30	45	8	AS	smooth	0,02	72 NBR 902	BAFUDSL	12012582	●
30	45	9,5	A	smooth	0,05	72 NBR 902	BAU	7695	●
30	45	10	A	smooth	0,05	72 NBR 902	BAU	7700	●
30	45	13	A	smooth	0,05	72 NBR 902	BAUSL	30497	●
30	47	6	A	smooth	0,05	72 NBR 902	BAUX2	528822	●
30	47	7	A	smooth	0,05	72 NBR 902	BAU	328283	○
30	47	7	A	smooth	0,05	72 NBR 902	BAUX2	478441	●
30	47	7	A	smooth	0,05	72 NBR 902	BAUX2	531158	○
30	47	7	AS	smooth	0,02	72 NBR 902	BAFUDSL	12000480	○
30	47	7	AS	smooth	0,05	72 NBR 902	BAUSLX2	49001669	●
30	47	8	A	smooth	0,05	72 NBR 902	BAU	7708	●
30	47	8	AS	grooved	0,02	72 NBR 902	BAFUDSLX7	532619	●
30	47	10	A	smooth	0,05	72 NBR 902	BAU	7716	○

● Available from stock ○ On request: Tool is available, delivery at short notice

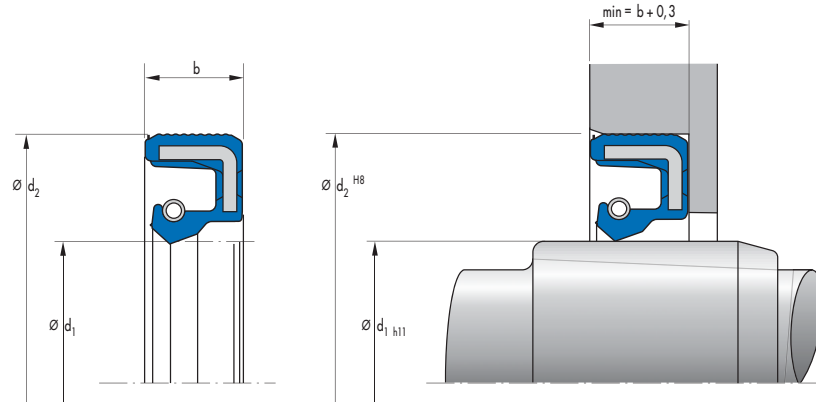


d ₁	d ₂	b	DIN 3761	Outer surface	Pressure	Material	Type	Article No.	
30	47	10	A	grooved	0,02	72 NBR 902	BAFUDX7	355392	●
30	48	8	A	grooved	0,02	72 NBR 902	BAFUDX7	335179	●
30	48	10	A	smooth	0,05	72 NBR 902	BA	7729	●
30	50	7	A	smooth	0,02	72 NBR 902	BAFUD	532620	●
30	50	8	A	smooth	0,02	72 NBR 902	BAFUD	12010884	●
30	50	10	A	smooth	0,05	72 NBR 902	BA	7741	●
30	50	10	A	smooth	0,05	72 NBR 902	BAU	7742	●
30	50	10	AS	grooved	0,02	72 NBR 902	BAFUDSLX7	335184	●
30	52	6	AS	smooth	0,05	72 NBR 902	BAUSLX2	522129	●
30	52	7	AS	smooth	0,05	72 NBR 902	BAUSLX2	524704	●
30	52	7	A	smooth	0,05	72 NBR 902	BAUX2	529401	●
30	52	8	A	smooth	0,05	72 NBR 902	BAU	31709	●
30	52	10	A	grooved	0,02	72 NBR 902	BAFUDX7	334293	●
30	52	10	AS	smooth	0,05	72 NBR 902	BAUSLX2	526319	●
30	52	12	A	smooth	0,05	72 NBR 902	BA	7758	●
30	55	7	AS	smooth	0,05	72 NBR 902	BAUSLX2	478774	●
30	55	7	A	smooth	0,05	72 NBR 902	BAUX2	529837	●
30	55	10	A	smooth	0,05	72 NBR 902	BAUSL	7767	●
30	55	10	A	grooved	0,02	72 NBR 902	BAFUDX7	334232	●
30	55	10	A	smooth	0,05	72 NBR 902	BAUX2	531106	●
30	56	10	A	smooth	0,05	72 NBR 902	BAU	7772	●
30	60	10	A	smooth	0,05	72 NBR 902	BA	7775	●
30	62	7	AS	grooved	0,05	72 NBR 902	BAUSLX7	478773	●
30	62	7	A	smooth	0,05	72 NBR 902	BAUX2	524703	●
30	62	10	A	grooved	0,02	72 NBR 902	BAFUDX7	334294	●
30	62	12	A	smooth	0,05	72 NBR 902	BAU	7783	●
30	72	10	A	smooth	0,05	72 NBR 902	BA	7788	○
30	72	10	A	smooth	0,02	72 NBR 902	BAFUD	523408	●
30	72	10	AS	smooth	0,05	72 NBR 902	BAUSLX2	524141	●
30	72	10	A	smooth	0,05	72 NBR 902	BAUX2	49009357	●
31	42	8	A	grooved	0,02	72 NBR 902	BAFUDX7	520468	●
31	52	7	A	smooth	0,02	72 NBR 902	BAFUD	523556	●
31	52	9,5	A	smooth	0,05	72 NBR 902	BAUX2	475754	○
32	42	7	A	smooth	0,02	72 NBR 902	BAFUD	12010894	●
32	45	6	A	smooth	0,05	72 NBR 902	BA	7798	●
32	45	7	A	grooved	0,02	72 NBR 902	BAFUDX7	334305	●

● Available from stock ○ On request: Tool is available, delivery at short notice

d ₁	d ₂	b	DIN 3761	Outer surface	Pressure	Material	Type	Article No.	
32	45	7	AS	smooth	0,02	72 NBR 902	BAFUDSL	523419	●
32	45	7	A	smooth	0,05	72 NBR 902	BAUX2	49032838	●
32	47	7	A	smooth	0,05	72 NBR 902	BAUX2	49017474	●
32	47	10	A	smooth	0,05	72 NBR 902	BAU	7811	●
32	48	8	A	smooth	0,05	72 NBR 902	BA	7815	●
32	48	8	A	smooth	0,05	72 NBR 902	BA	343302	○
32	50	8	A	smooth	0,05	72 NBR 902	BAU	32679	●
32	50	10	A	smooth	0,05	72 NBR 902	BA	7821	●
32	50	10	A	smooth	0,05	72 NBR 902	BAUSL	7822	●
32	52	5	A	smooth	0,02	72 NBR 902	BAFUD	12010897	●
32	52	7	A	smooth	0,05	72 NBR 902	BAUSL	414644	●
32	52	7	A	smooth	0,05	72 NBR 902	BAUX2	524454	●
32	52	7	AS	smooth	0,05	72 NBR 902	BAUSLX2	49035052	●
32	52	10	A	smooth	0,05	72 NBR 902	BA	7833	●
32	52	10	AS	smooth	0,02	72 NBR 902	BAFUDSL	12015221	●
32	55	10	A	smooth	0,05	72 NBR 902	BA	7838	●
32	56	10	A	smooth	0,05	72 NBR 902	BAUSL	7842	●
32	56	10	A	smooth	0,02	72 NBR 902	BAFUD	12000162	●
32	62	7	A	smooth	0,05	72 NBR 902	BA	371152	●
32	62	10	A	smooth	0,05	72 NBR 902	BA	7850	●
32	62	10	AS	grooved	0,05	72 NBR 902	BAUSLX27	451928	●
32	80	12	AS	smooth	0,05	72 NBR 902	BAUSLX2	520528	●
33	45	7	A	smooth	0,05	72 NBR 902	BAU	7856	●
33	45	7	AS	grooved	0,02	72 NBR 902	BAFUDSLX7	397855	○
33	50	6	AS	smooth	0,02	72 NBR 902	BAFUDSL	12011140	●
33	50	8	A	smooth	0,05	72 NBR 902	BA	7862	●
33	50	10	AS	smooth	0,02	72 NBR 902	BAFUDSL	12011141	○
33	52	6	A	smooth	0,02	72 NBR 902	BAFUD	12010900	●
33	52	10	A	smooth	0,05	72 NBR 902	BA	7875	●
34	46	8	A	smooth	0,05	72 NBR 902	BA	49002841	●
34	50	10	A	smooth	0,05	72 NBR 902	BA	7920	●
34	52	7	AS	smooth	0,05	72 NBR 902	BAUSLX2	520466	●
34	52	7	A	smooth	0,05	72 NBR 902	BAUX2	521284	●
34	52	8	A	smooth	0,05	72 NBR 902	BAU	7921	●
34	52	10	A	smooth	0,05	72 NBR 902	BAU	7926	●
34	52	10	AS	smooth	0,02	72 NBR 902	BAFUDSL	12011142	●
34	62	10	A	smooth	0,05	72 NBR 902	BA	7931	●
35	45	7	A	smooth	0,05	72 NBR 902	BA	143444	●
35	47	4,5	AS	smooth	0,05	72 NBR 902	BAUSLX2	478057	●
35	47	4,5	A	smooth	0,05	72 NBR 902	BAUX2	478767	●
35	47	7	A	smooth	0,05	72 NBR 902	BAUX2	478754	●
35	47	7	AS	smooth	0,05	72 NBR 902	BAUSLX2	478775	●
35	49,3	9,5	A	smooth	0,05	72 NBR 902	BA	7970	●
35	50	7	A	grooved	0,02	72 NBR 902	BAFUDX7	355627	●
35	50	8	AS	smooth	0,05	72 NBR 902	BAUSLX2	49023892	●
35	50	10	A	smooth	0,05	72 NBR 902	BAU	7976	●
35	52	7	A	smooth	0,05	72 NBR 902	BAUX2	478467	●
35	52	7	AS	smooth	0,05	72 NBR 902	BAUSLX2	526079	●
35	52	7	AS	smooth	0,05	72 NBR 902	BAUSLX2	529399	○
35	52	10	A	smooth	0,05	72 NBR 902	BAU	307255	○

● Available from stock ○ On request: Tool is available, delivery at short notice

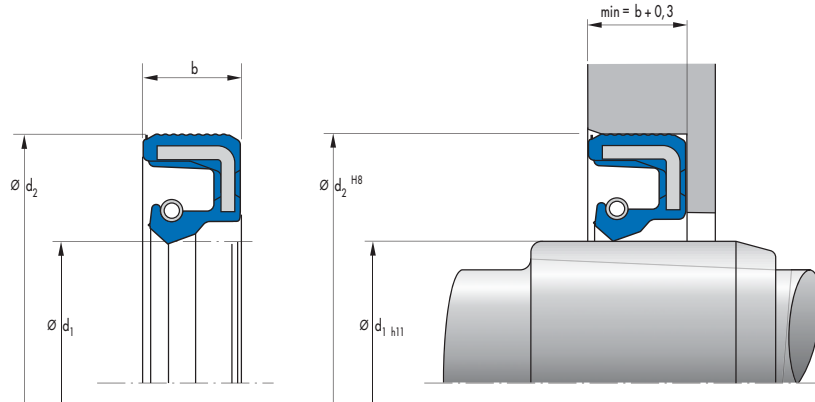


d ₁	d ₂	b	DIN 3761	Outer surface	Pressure	Material	Type	Article No.	
35	52	10	A	grooved	0,02	72 NBR 902	BAFUDX7	334307	●
35	52	10	AS	grooved	0,05	72 NBR 902	BAUSLX27	451929	●
35	52	10	A	smooth	0,05	72 NBR 902	BA	523557	●
35	52	10	AS	smooth	0,05	72 NBR 902	BAUSLX2	49036047	●
35	55	8	A	grooved	0,02	72 NBR 902	BAFUDX7	355625	●
35	55	10	A	smooth	0,05	72 NBR 902	BAU	8008	●
35	55	10	A	smooth	0,05	72 NBR 902	BAUSL	301731	○
35	55	11	AS	smooth	0,02	72 NBR 902	BAFUDSL	12011146	●
35	56	8	A	smooth	0,02	72 NBR 902	BAFUD	523407	●
35	56	10	A	smooth	0,05	72 NBR 902	BAU	8018	●
35	56	12	A	smooth	0,05	72 NBR 902	BA	8021	●
35	58	10	A	smooth	0,02	72 NBR 902	BAFUD	12010911	●
35	58	13	A	smooth	0,05	72 NBR 902	BA	8032	●
35	60	10	A	smooth	0,02	72 NBR 902	BAFUD	12010912	●
35	62	7	AS	smooth	0,05	72 NBR 902	BAUSLX2	521678	●
35	62	7	A	smooth	0,05	72 NBR 902	BAUX2	524700	●
35	62	8	AS	smooth	0,05	72 NBR 902	BAUSLX2	477145	●
35	62	10	A	smooth	0,05	72 NBR 902	BA	8049	●
35	62	10	A	grooved	0,02	72 NBR 902	BAFUDX7	355435	●
35	62	10	AS	grooved	0,05	72 NBR 902	BAUSLX27	49001657	●
35	62	12	A	smooth	0,05	72 NBR 902	BAUSL	8055	●
35	65	10	A	smooth	0,05	72 NBR 902	BA	8060	●
35	65	10	A	smooth	0,05	72 NBR 902	BAUSL	396063	●
35	68	10	AS	smooth	0,05	72 NBR 902	BAUSLX2	522766	●
35	72	7	A	grooved	0,02	72 NBR 902	BAFUDX7	407517	●
35	72	10	A	smooth	0,02	72 NBR 902	BAFUD	12010915	●
35	72	10	AS	smooth	0,02	72 NBR 902	BAFUDSL	12013421	●
35	72	10	A	smooth	0,05	72 NBR 902	BAUX2	49037523	●
35	72	10	AS	smooth	0,05	72 NBR 902	BAUSLX2	49037524	●
35	72	12	AS	smooth	0,05	72 NBR 902	BASL	35525	●
35	72	12	A	grooved	0,02	72 NBR 902	BAFUDX7	355478	●
35	80	10	AS	smooth	0,02	72 NBR 902	BAFUDSL	12000498	●
35	80	12	A	smooth	0,05	72 NBR 902	BAUX2	524507	●
36	47	7	A	smooth	0,05	72 NBR 902	BA	3441	●
36	50	7	A	grooved	0,02	72 NBR 902	BAFUDX7	355476	●
36	50	10	A	smooth	0,05	72 NBR 902	BA	8074	●

● Available from stock ○ On request: Tool is available, delivery at short notice

d ₁	d ₂	b	DIN 3761	Outer surface	Pressure	Material	Type	Article No.	
36	52	7	A	smooth	0,05	72 NBR 902	BAUX2	49009240	●
36	54	7	A	smooth	0,05	72 NBR 902	BAUX2	533282	●
36	56	10	A	smooth	0,05	72 NBR 902	BAU	8083	●
36	62	7	A	smooth	0,05	72 NBR 902	BA	18265	●
36	62	7	AS	grooved	0,02	72 NBR 902	BAFUDSLX7	12014769	●
36	68	10	AS	smooth	0,05	72 NBR 902	BAUSLX2	475374	●
37	52	8	A	smooth	0,05	72 NBR 902	BAU	8112	●
37	62	10	A	smooth	0,05	72 NBR 902	BA	8118	●
38	50	7	A	grooved	0,02	72 NBR 902	BAFUDX7	334309	●
38	52	7	AS	smooth	0,05	72 NBR 902	BAUSLX2	49002810	●
38	52	7	A	smooth	0,05	72 NBR 902	BAUX2	49008124	●
38	52	8	A	smooth	0,05	72 NBR 902	BAU	17193	●
38	52	10	A	smooth	0,05	72 NBR 902	BAU	8135	●
38	54	6,5	A	smooth	0,05	72 NBR 902	BA	8137	●
38	54	10	A	smooth	0,05	72 NBR 902	BA	8141	●
38	55	7	A	smooth	0,05	72 NBR 902	BA	49002526	●
38	55	10	A	smooth	0,05	72 NBR 902	BAU	8145	●
38	55	10	A	smooth	0,05	72 NBR 902	BA	356911	○
38	56	10	A	smooth	0,05	72 NBR 902	BA	8150	●
38	58	10	A	smooth	0,05	72 NBR 902	BA	8151	●
38	60	10	A	smooth	0,05	72 NBR 902	BAU	8153	●
38	62	7	A	smooth	0,05	72 NBR 902	BAU	13052	●
38	62	10	A	smooth	0,05	72 NBR 902	BAU	8156	●
38	62	12	A	smooth	0,05	72 NBR 902	BA	8162	●
38	65	10	A	smooth	0,05	72 NBR 902	BA	8165	●
38	65	10	A	smooth	0,05	72 NBR 902	BAUSL	325682	●
38	72	10	A	smooth	0,02	72 NBR 902	BAFUD	523550	●
38	72	12	A	smooth	0,05	72 NBR 902	BAU	302909	●
38	74	10	A	smooth	0,05	72 NBR 902	BAUSL	8167	●
38	80	12	A	smooth	0,05	72 NBR 902	BA	8169	●
38	90	12	A	grooved	0,05	72 NBR 902	BAUX27	453161	●
39	52	6,5	A	smooth	0,05	72 NBR 902	BA	8188	●
40	50	7	A	smooth	0,05	72 NBR 902	BAUX2	475178	●
40	52	6	A	grooved	0,02	72 NBR 902	BAFUDX7	334824	●
40	52	7	AS	smooth	0,05	72 NBR 902	BASL	8222	●
40	52	7	A	smooth	0,05	72 NBR 902	BAU	13255	○
40	52	7	A	grooved	0,02	72 NBR 902	BAFUDX7	355639	●
40	52	7	AS	smooth	0,05	72 NBR 902	BAUSLX2	525281	●
40	52	7	A	smooth	0,05	72 NBR 902	BAUX2	530339	○
40	52	7	A	smooth	0,05	72 NBR 902	BAUX2	49032729	●
40	52	8	A	smooth	0,05	72 NBR 902	BA	8226	●
40	55	7	A	smooth	0,05	72 NBR 902	BAUX2	478753	●
40	55	7	AS	smooth	0,05	72 NBR 902	BAUSLX2	524462	●
40	55	7	A	smooth	0,05	72 NBR 902	BAUX2	529478	○
40	55	8	A	grooved	0,02	72 NBR 902	BAFUDX7	423373	●
40	55	8	AS	smooth	0,05	72 NBR 902	BAUSLX2	529404	●
40	55	10	A	smooth	0,05	72 NBR 902	BAU	8234	●
40	55	10	AS	smooth	0,05	72 NBR 902	BASL	8235	●
40	55	12	A	smooth	0,05	72 NBR 902	BA	8239	●
40	56	8	A	smooth	0,02	72 NBR 902	BAFUD	12010933	●

● Available from stock ○ On request: Tool is available, delivery at short notice

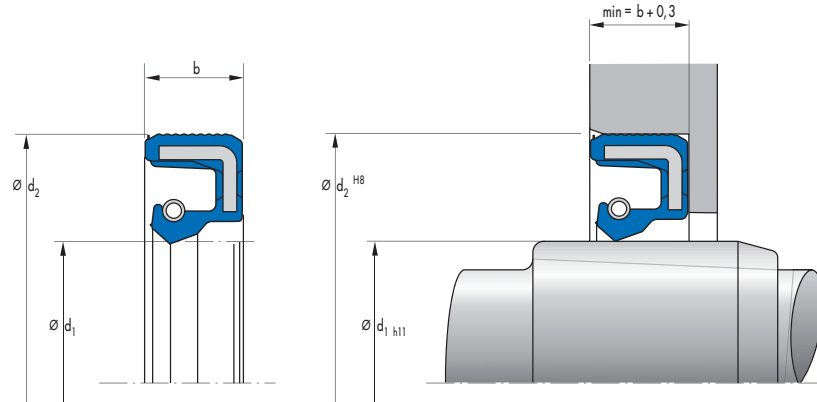


d_1	d_2	b	DIN 3761	Outer surface	Pressure	Material	Type	Article No.	
40	56	8	AS	smooth	0,02	72 NBR 902	BAFUDSL	12011577	●
40	56	10	A	smooth	0,05	72 NBR 902	BAU	8249	●
40	58	9	AS	grooved	0,02	72 NBR 902	BAFUDSLX7	355477	●
40	58	12	A	smooth	0,05	72 NBR 902	BAU	8254	●
40	60	10	A	grooved	0,02	72 NBR 902	BAFUDX7	334311	●
40	60	10	AS	smooth	0,05	72 NBR 902	BAUSLX2	49023925	●
40	62	7	A	smooth	0,05	72 NBR 902	BAUX2	478752	●
40	62	7	AS	smooth	0,05	72 NBR 902	BAUSLX2	478770	●
40	62	8	AS	smooth	0,05	72 NBR 902	BAUSLX2	477523	●
40	62	10	A	smooth	0,05	72 NBR 902	BA	8279	●
40	62	10	A	smooth	0,05	72 NBR 902	BAUX2	531174	●
40	62	10	AS	smooth	0,05	72 NBR 902	BAUSLX2	49023829	●
40	62	12	A	smooth	0,05	72 NBR 902	BAU	8286	●
40	65	10	AS	smooth	0,05	72 NBR 902	BASL	39765	●
40	65	10	A	grooved	0,02	72 NBR 902	BAFUDX7	355482	●
40	65	12	A	smooth	0,05	72 NBR 902	BA	8298	●
40	68	6	AS	smooth	0,05	72 NBR 902	BAUSLX2	529094	●
40	68	8	AS	smooth	0,05	72 NBR 902	BAUSLX2	49001661	●
40	68	8	A	smooth	0,05	72 NBR 902	BAUX2	49001672	●
40	68	8	AS	smooth	0,05	72 NBR 902	BAUSLX2	49029022	●
40	68	10	A	smooth	0,05	72 NBR 902	BAUX2	524498	●
40	70	8	A	smooth	0,05	72 NBR 902	BA	8304	●
40	70	10	A	smooth	0,05	72 NBR 902	BA	8307	●
40	72	7	AS	smooth	0,05	72 NBR 902	BAUSLX2	478772	●
40	72	7	A	smooth	0,02	72 NBR 902	BAFUD	49001652	●
40	72	7	A	smooth	0,05	72 NBR 902	BAUX2	49037526	●
40	72	10	A	smooth	0,05	72 NBR 902	BA	8310	●
40	72	10	AS	smooth	0,05	72 NBR 902	BAUSLX2	477144	●
40	72	12	A	smooth	0,05	72 NBR 902	BAU	8312	●
40	80	7	AS	smooth	0,05	72 NBR 902	BAUSLX2	49004252	●
40	80	10	A	grooved	0,02	72 NBR 902	BAFUDX7	355479	●
40	80	10	AS	smooth	0,05	72 NBR 902	BAUSLX2	455619	●
40	80	10	A	smooth	0,05	72 NBR 902	BAUX2	49037525	●
40	80	12	AS	smooth	0,02	72 NBR 902	BAFUDSL	12011162	●
40	80	13	A	smooth	0,05	72 NBR 902	BA	8318	○
40	85	10	A	smooth	0,05	72 NBR 902	BAUX2	523393	●

● Available from stock ○ On request: Tool is available, delivery at short notice

d ₁	d ₂	b	DIN 3761	Outer surface	Pressure	Material	Type	Article No.	
40	85	10	AS	smooth	0,05	72 NBR 902	BAUSLX2	523394	●
40	90	8	AS	smooth	0,02	72 NBR 902	BAFUDSL	12012533	●
40	90	10	A	grooved	0,02	72 NBR 902	BAFUDX7	407521	●
40	90	10	AS	smooth	0,05	72 NBR 902	BAUSLX2	520957	●
40	90	10	A	smooth	0,05	72 NBR 902	BAUX2	49037527	●
40	90	12	AS	grooved	0,02	72 NBR 902	BAFUDSLX7	407522	●
41	56	10	A	smooth	0,05	72 NBR 902	BA	153820	●
42	55	7	A	smooth	0,05	72 NBR 902	BAU	8342	●
42	55	7	A	smooth	0,05	72 NBR 902	BAUX2	49031451	●
42	55	8	AS	grooved	0,02	72 NBR 902	BAFUDSLX7	407523	●
42	55	8	A	smooth	0,05	72 NBR 902	BAUX2	530818	●
42	56	7	A	smooth	0,05	72 NBR 902	BAUSL	121799	●
42	56	7	A	grooved	0,02	72 NBR 902	BAFUDX7	334313	●
42	56	7	A	smooth	0,05	72 NBR 902	BAU	523558	●
42	60	10	A	smooth	0,05	72 NBR 902	BA	8356	●
42	62	8	A	smooth	0,05	72 NBR 902	BAUX2	478766	●
42	62	8	AS	smooth	0,02	72 NBR 902	BAFUDSL	12011163	●
42	62	10	A	smooth	0,05	72 NBR 902	BAU	8363	●
42	62	12	A	smooth	0,05	72 NBR 902	BA	8367	●
42	65	10	A	smooth	0,05	72 NBR 902	BA	8373	●
42	65	10	AS	grooved	0,02	72 NBR 902	BAFUDSLX7	466342	●
42	72	8	AS	smooth	0,05	72 NBR 902	BAUSLX2	475175	●
42	72	8	A	smooth	0,05	72 NBR 902	BAUX2	49001667	●
42	72	10	A	smooth	0,05	72 NBR 902	BAU	8381	●
42	72	10	AS	grooved	0,05	72 NBR 902	BAUSLX27	450733	●
43	60	10	A	smooth	0,05	72 NBR 902	BA	8393	●
44	58,4	10	A	smooth	0,05	72 NBR 902	BAU	347394	●
44	60	10	A	smooth	0,05	72 NBR 902	BAU	8406	●
44	62	10	A	smooth	0,05	72 NBR 902	BA	8408	●
44	65	10	A	smooth	0,05	72 NBR 902	BA	8414	●
44	72	10	A	smooth	0,05	72 NBR 902	BA	8420	●
44	80	13	A	smooth	0,05	72 NBR 902	BAU	146270	●
45	55	7	A	grooved	0,05	72 NBR 902	BAUX27	453162	●
45	55	7	AS	grooved	0,05	72 NBR 902	BAUSLX27	533201	●
45	55	7	A	smooth	0,05	72 NBR 902	BAUX2	49022656	●
45	58	7	A	smooth	0,05	72 NBR 902	BA	8442	●
45	58	7	AS	smooth	0,02	72 NBR 902	BAFUDSL	12013433	●
45	60	7	A	smooth	0,05	72 NBR 902	BA	8447	●
45	60	7	A	grooved	0,02	72 NBR 902	BAFUDX7	334830	○
45	60	7	AS	smooth	0,05	72 NBR 902	BAUSLX2	478771	●
45	60	7	A	grooved	0,02	72 NBR 902	BAFUDX7	532621	●
45	60	8	A	smooth	0,05	72 NBR 902	BAUX2	524652	●
45	60	8	AS	smooth	0,02	72 NBR 902	BAFUDSL	12011165	●
45	60	10	A	smooth	0,05	72 NBR 902	BAU	8454	●
45	62	7	A	grooved	0,02	72 NBR 902	BAFUDX7	334314	●
45	62	7	A	smooth	0,05	72 NBR 902	BAUX2	49028673	●
45	62	7,5	AS	smooth	0,05	72 NBR 902	BASL	8461	●
45	62	8	A	smooth	0,05	72 NBR 902	BAUX2	526947	●
45	62	8	AS	smooth	0,05	72 NBR 902	BAUSLX2	529403	●
45	62	10	A	smooth	0,05	72 NBR 902	BAUSL	8479	●

● Available from stock ○ On request: Tool is available, delivery at short notice

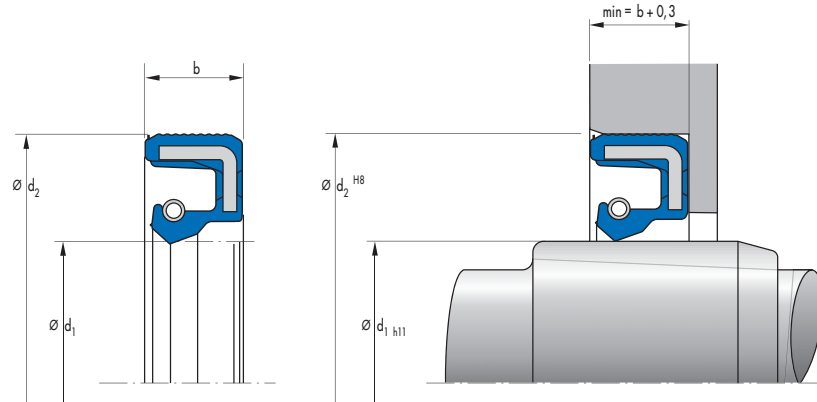


d ₁	d ₂	b	DIN 3761	Outer surface	Pressure	Material	Type	Article No.	
45	62	10	A	grooved	0,02	72 NBR 902	BAFUDX7	334295	●
45	62	12	A	smooth	0,05	72 NBR 902	BA	8483	●
45	65	8	A	smooth	0,02	72 NBR 902	BAFUD	532622	●
45	65	8	A	smooth	0,05	72 NBR 902	BAUX2	49037529	●
45	65	10	AS	grooved	0,02	72 NBR 902	BAFUDSLX7	334298	●
45	65	10	A	grooved	0,02	72 NBR 902	BAFUDX7	355409	●
45	65	10	A	smooth	0,05	72 NBR 902	BAU	366521	○
45	65	10	AS	grooved	0,02	72 NBR 902	BAFUDSLX7	394402	○
45	66	6	A	smooth	0,05	72 NBR 902	BA	31719	●
45	66	6	A	smooth	0,05	72 NBR 902	BA	49019342	●
45	68	10	A	grooved	0,02	72 NBR 902	BAFUDX7	355488	●
45	70	10	A	smooth	0,02	72 NBR 902	BAFUD	12010957	●
45	72	8	A	grooved	0,02	72 NBR 902	BAFUDX7	334282	●
45	72	8	A	smooth	0,05	72 NBR 902	BAUX2	531104	●
45	72	8	AS	smooth	0,05	72 NBR 902	BAUSLX2	49006102	●
45	72	10	A	smooth	0,05	72 NBR 902	BAUX2	49018324	●
45	75	7	AS	grooved	0,05	72 NBR 902	BAUSLX27	49001658	●
45	75	7	A	grooved	0,05	72 NBR 902	BAUX27	49001659	●
45	75	8	A	smooth	0,05	72 NBR 902	BAU	368920	●
45	75	8	AS	smooth	0,05	72 NBR 902	BAUSLX2	524804	●
45	75	8	AS	smooth	0,05	72 NBR 902	BAUSLX2	49005159	○
45	75	10	A	grooved	0,02	72 NBR 902	BAFUDX7	334299	●
45	75	10	A	smooth	0,05	72 NBR 902	BAUSL	524452	○
45	75	10	A	smooth	0,05	72 NBR 902	BAUX2	526932	●
45	75	10	AS	smooth	0,02	72 NBR 902	BAFUDSL	12000514	●
45	80	8	A	smooth	0,05	72 NBR 902	BAU	8536	●
45	80	10	A	grooved	0,02	72 NBR 902	BAFUDX7	334300	●
45	80	10	AS	smooth	0,05	72 NBR 902	BAUSLX2	526075	●
45	80	10	A	smooth	0,05	72 NBR 902	BAUX2	49037528	●
45	80	13	A	smooth	0,05	72 NBR 902	BA	8543	●
45	85	10	A	smooth	0,05	72 NBR 902	BAU	141529	●
45	85	10	AS	smooth	0,05	72 NBR 902	BAUSLX2	470429	●
45	85	10	A	smooth	0,05	72 NBR 902	BAUSL	524451	○
45	100	10	A	smooth	0,05	72 NBR 902	BA	103209	●
46	64	8	A	smooth	0,05	72 NBR 902	BA	8560	●
46	65	10	A	smooth	0,05	72 NBR 902	BAU	8562	●

● Available from stock ○ On request: Tool is available, delivery at short notice

d ₁	d ₂	b	DIN 3761	Outer surface	Pressure	Material	Type	Article No.	
46	65	10	AS	smooth	0,02	72 NBR 902	BAFUDSL	523567	●
46,94	62	8	A	smooth	0,05	72 NBR 902	BA	8578	●
47	62	6	A	smooth	0,05	72 NBR 902	BA	8582	●
47	65	10	AS	smooth	0,05	72 NBR 902	BAUSLX2	478470	●
47	90	10	AS	smooth	0,05	72 NBR 902	BAUSLX2	478472	●
48	62	8	A	grooved	0,02	72 NBR 902	BAFUDX7	334832	●
48	62	8	AS	smooth	0,05	72 NBR 902	BAUSLX2	49001665	●
48	65	8	A	smooth	0,05	72 NBR 902	BA	8597	●
48	65	10	A	smooth	0,05	72 NBR 902	BAU	8604	●
48	65	10	A	smooth	0,05	72 NBR 902	BAUSL	8606	●
48	65	10	AS	smooth	0,05	72 NBR 902	BAUSLX2	49040137	●
48	68	10	A	smooth	0,05	72 NBR 902	BA	8617	●
48	68	10	AS	smooth	0,05	72 NBR 902	BAUSLX2	529405	●
48	70	10	A	smooth	0,05	72 NBR 902	BAU	8624	●
48	72	7	A	grooved	0,02	72 NBR 902	BAFUDX7	334833	●
48	72	8	A	grooved	0,02	72 NBR 902	BAFUDX7	334301	●
48	72	8	AS	smooth	0,05	72 NBR 902	BAUSLX2	524140	●
48	72	10	A	smooth	0,05	72 NBR 902	BAU	8633	●
48	72	12	A	smooth	0,05	72 NBR 902	BA	8640	●
48	72	12	A	smooth	0,05	72 NBR 902	BAUSL	8641	●
48	80	10	A	grooved	0,02	72 NBR 902	BAFUDX7	334302	●
49	65	10	A	smooth	0,05	72 NBR 902	BA	8648	●
50	60	4,5	A	smooth	0,05	72 NBR 902	BAUSL	49033416	○
50	62	7	AS	smooth	0,02	72 NBR 902	BAFUDSL	12011173	●
50	65	8	A	smooth	0,05	72 NBR 902	BAU	8655	○
50	65	8	A	smooth	0,05	72 NBR 902	BAUSL	8659	○
50	65	8	A	grooved	0,02	72 NBR 902	BAFUDX7	334500	●
50	65	8	AS	smooth	0,02	72 NBR 902	BAFUDSL	532623	●
50	65	8	AS	smooth	0,05	72 NBR 902	BAUSLX2	49008230	○
50	65	10	A	smooth	0,05	72 NBR 902	BAU	8662	●
50	65	10	AS	smooth	0,05	72 NBR 902	BAUSLX2	455621	●
50	68	8	AS	smooth	0,05	72 NBR 902	BAUSLX2	475179	●
50	68	8	A	smooth	0,02	72 NBR 902	BAFUD	532624	●
50	68	10	A	smooth	0,05	72 NBR 902	BAU	8668	●
50	68	10	AS	smooth	0,02	72 NBR 902	BAFUDSL	12011176	●
50	68	12	A	smooth	0,05	72 NBR 902	BA	8670	●
50	70	9	AS	grooved	0,02	72 NBR 902	BAFUDSLX7	365415	●
50	70	10	A	grooved	0,02	72 NBR 902	BAFUDX7	334834	●
50	70	10	AS	smooth	0,02	72 NBR 902	BAFUDSL	12000520	●
50	70	12	A	smooth	0,05	72 NBR 902	BAU	8677	●
50	70	12	A	smooth	0,05	72 NBR 902	BA	385267	○
50	72	8	AS	smooth	0,05	72 NBR 902	BAUSLX2	529406	●
50	72	8	A	smooth	0,02	72 NBR 902	BAFUD	49001627	●
50	72	10	A	smooth	0,05	72 NBR 902	BA	8694	●
50	72	10	A	grooved	0,02	72 NBR 902	BAFUDX7	346653	●
50	72	12	AS	grooved	0,02	72 NBR 902	BAFUDSLX7	334835	●
50	72	12	AS	smooth	0,05	72 NBR 902	BAUSLX2	530502	●
50	75	7	AS	smooth	0,05	72 NBR 902	BAUSLX2	522367	●
50	75	10	A	smooth	0,05	72 NBR 902	BAU	8711	●
50	78	10	A	smooth	0,05	72 NBR 902	BAU	8713	●

● Available from stock ○ On request: Tool is available, delivery at short notice

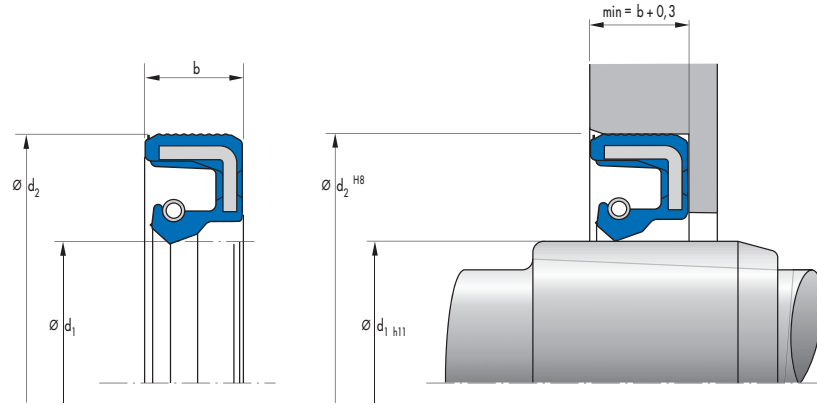


d ₁	d ₂	b	DIN 3761	Outer surface	Pressure	Material	Type	Article No.	
50	80	8	AS	smooth	0,05	72 NBR 902	BAUSLX2	522368	●
50	80	8	A	smooth	0,05	72 NBR 902	BAUX2	531107	●
50	80	8	A	smooth	0,02	72 NBR 902	BAFUD	49001628	●
50	80	10	A	smooth	0,05	72 NBR 902	BAU	8716	●
50	80	10	AS	grooved	0,05	72 NBR 902	BAUSLX27	451009	●
50	80	10	AS	smooth	0,05	72 NBR 902	BAUSLX2	455623	●
50	80	10	A	smooth	0,05	72 NBR 902	BAUX2	49037530	●
50	80	13	A	smooth	0,05	72 NBR 902	BA	8720	●
50	80	13	A	smooth	0,05	72 NBR 902	BAUSL	340571	●
50	85	10	AS	smooth	0,05	72 NBR 902	BAUSLX2	521126	●
50	90	8	AS	grooved	0,05	72 NBR 902	BAUSLX27	49001660	●
50	90	10	AS	smooth	0,05	72 NBR 902	BAUSLX2	455625	●
50	90	10	A	smooth	0,05	72 NBR 902	BAUX2	531103	●
50	110	10	AS	smooth	0,05	72 NBR 902	BAUSLX2	49014241	●
52	68	8	A	grooved	0,02	72 NBR 902	BAFUDX7	334316	●
52	68	8	AS	smooth	0,02	72 NBR 902	BAFUDSL	12013905	●
52	68	10	A	smooth	0,05	72 NBR 902	BA	8742	●
52	72	8	A	grooved	0,02	72 NBR 902	BAFUDX7	355489	●
52	72	10	A	smooth	0,05	72 NBR 902	BAU	8747	●
52	72	10	AS	smooth	0,05	72 NBR 902	BAUSLX2	470379	●
52	72	12	A	smooth	0,05	72 NBR 902	BA	8749	●
52	75	10	A	smooth	0,05	72 NBR 902	BA	8751	●
52	80	10	A	smooth	0,05	72 NBR 902	BA	8753	●
52	85	10	A	smooth	0,05	72 NBR 902	BA	8763	●
52	85	10	A	smooth	0,02	72 NBR 902	BAFUD	523559	●
52	100	10	AS	smooth	0,05	72 NBR 902	BAUSLX2	470342	●
53	68	10	A	smooth	0,02	72 NBR 902	BAFUD	12010980	●
54	70	10	A	smooth	0,05	72 NBR 902	BA	8781	●
54	81	10	AS	grooved	0,02	72 NBR 902	BAFUDSLX7	407530	●
55	68	8	A	grooved	0,02	72 NBR 902	BAFUDX7	355483	●
55	68	8	AS	smooth	0,05	72 NBR 902	BAUSLX2	525828	●
55	70	7	A	smooth	0,05	72 NBR 902	BAUX2	520469	●
55	70	7	AS	smooth	0,05	72 NBR 902	BAUSLX2	521375	●
55	70	8	A	smooth	0,05	72 NBR 902	BAUX2	528747	●
55	70	8	AS	smooth	0,02	72 NBR 902	BAFUDSL	49001656	●
55	70	10	A	smooth	0,05	72 NBR 902	BAU	8799	●

● Available from stock ○ On request: Tool is available, delivery at short notice

d ₁	d ₂	b	DIN 3761	Outer surface	Pressure	Material	Type	Article No.	
55	72	8	AS	smooth	0,05	72 NBR 902	BAUSLX2	476679	●
55	72	8	A	smooth	0,02	72 NBR 902	BAFUD	532625	●
55	72	10	A	grooved	0,02	72 NBR 902	BAFUDX7	335477	●
55	72	10	AS	smooth	0,05	72 NBR 902	BAUSLX2	462742	●
55	75	8	AS	smooth	0,05	72 NBR 902	BAUSLX2	475176	●
55	75	10	A	grooved	0,02	72 NBR 902	BAFUDX7	355484	●
55	75	10	A	smooth	0,05	72 NBR 902	BAU	366523	○
55	75	13	A	smooth	0,05	72 NBR 902	BAU	8815	●
55	78	10	A	smooth	0,05	72 NBR 902	BA	8822	●
55	80	8	AS	smooth	0,05	72 NBR 902	BAUSLX2	524199	●
55	80	8	A	smooth	0,05	72 NBR 902	BAUX2	524646	●
55	80	10	A	smooth	0,05	72 NBR 902	BAU	8825	●
55	80	10	AS	smooth	0,05	72 NBR 902	BAUSLX2	524501	●
55	80	13	A	smooth	0,05	72 NBR 902	BAU	8834	●
55	85	8	A	smooth	0,05	72 NBR 902	BAU	523560	●
55	85	10	A	smooth	0,05	72 NBR 902	BA	8836	●
55	85	13	A	smooth	0,05	72 NBR 902	BAU	8838	●
55	90	8	AS	grooved	0,05	72 NBR 902	BAUSLX7	377885	●
55	90	8	A	smooth	0,05	72 NBR 902	BAUX2	49009274	●
55	90	8	AS	smooth	0,05	72 NBR 902	BAUSLX2	49033016	●
55	90	10	AS	smooth	0,05	72 NBR 902	BAUSLX2	455630	●
55	90	10	A	smooth	0,05	72 NBR 902	BAUX2	521240	●
55	100	8	AS	smooth	0,05	72 NBR 902	BAUSLX2	49003306	●
55	100	10	AS	smooth	0,05	72 NBR 902	BAUSLX2	470437	●
55	100	10	A	smooth	0,05	72 NBR 902	BAUX2	49002809	●
56	70	8	A	smooth	0,05	72 NBR 902	BA	27338	●
56	70	8	AS	smooth	0,02	72 NBR 902	BAFUDSL	12011189	●
56	72	8	A	smooth	0,05	72 NBR 902	BAU	8850	●
56	72	10	A	smooth	0,05	72 NBR 902	BA	8856	●
56	80	8	A	smooth	0,05	72 NBR 902	BA	2799	●
56	85	8	A	smooth	0,05	72 NBR 902	BA	31451	●
56	85	8	A	smooth	0,02	72 NBR 902	BAFUD	523561	●
58	72	8	A	smooth	0,02	72 NBR 902	BAFUD	49001629	●
58	75	10	A	grooved	0,02	72 NBR 902	BAFUDX7	334320	●
58	80	8	A	grooved	0,02	72 NBR 902	BAFUDX7	334839	●
58	80	10	A	smooth	0,05	72 NBR 902	BAU	8883	●
58	80	10	AS	grooved	0,02	72 NBR 902	BAFUDSLX7	12011190	●
58	90	10	A	smooth	0,02	72 NBR 902	BAFUD	12010996	●
60	75	8	A	smooth	0,05	72 NBR 902	BAU	390993	○
60	75	8	AS	smooth	0,05	72 NBR 902	BAUSLX2	524219	●
60	75	8	A	smooth	0,05	72 NBR 902	BAUX2	49017410	●
60	78	10	A	smooth	0,05	72 NBR 902	BA	8909	●
60	80	8	A	grooved	0,02	72 NBR 902	BAFUDX7	334321	●
60	80	8	AS	smooth	0,05	72 NBR 902	BAUSLX2	49028650	●
60	80	8	AS	smooth	0,05	72 NBR 902	BAUSLX2	49030494	●
60	80	10	A	smooth	0,05	72 NBR 902	BAU	8920	○
60	80	10	AS	smooth	0,05	72 NBR 902	BASL	8927	●
60	80	10	AS	smooth	0,05	72 NBR 902	BAUSLX2	529407	●
60	80	10	A	smooth	0,05	72 NBR 902	BAUX2	49020336	●
60	80	13	AS	smooth	0,05	72 NBR 902	BAUSLX2	49040138	●

● Available from stock ○ On request: Tool is available, delivery at short notice

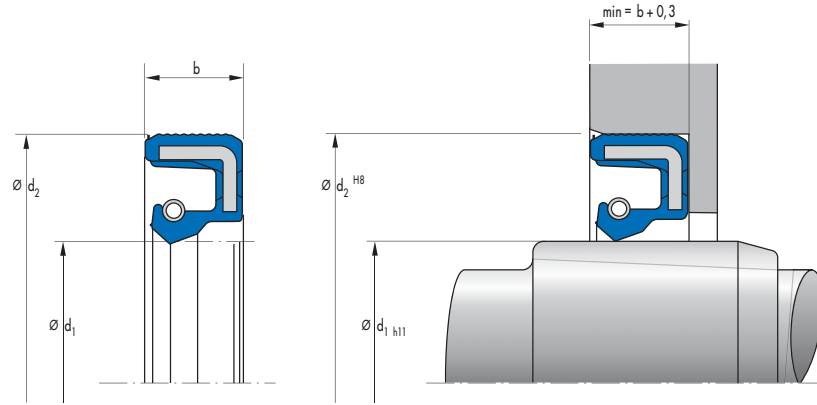


d ₁	d ₂	b	DIN 3761	Outer surface	Pressure	Material	Type	Article No.	
60	85	8	A	grooved	0,02	72 NBR 902	BAFUDX7	334322	●
60	85	8	AS	smooth	0,02	72 NBR 902	BAFUDSL	12011193	●
60	85	10	A	grooved	0,02	72 NBR 902	BAFUDX7	334842	●
60	85	13	A	smooth	0,05	72 NBR 902	BA	8941	●
60	90	8	A	grooved	0,02	72 NBR 902	BAFUDX7	334844	●
60	90	8	AS	smooth	0,05	72 NBR 902	BAUSLX2	524647	●
60	90	8	AS	smooth	0,02	72 NBR 902	BAFUDSL	12011194	●
60	90	8	A	smooth	0,05	72 NBR 902	BAUX2	49037534	●
60	90	9	AS	smooth	0,05	72 NBR 902	BAUSLX2	522366	●
60	90	10	A	smooth	0,05	72 NBR 902	BAU	8952	●
60	90	13	A	grooved	0,02	72 NBR 902	BAFUDX7	334234	●
60	95	10	A	smooth	0,05	72 NBR 902	BAUX2	525827	●
60	95	10	AS	smooth	0,02	72 NBR 902	BAFUDSL	12000533	●
60	100	10	A	smooth	0,05	72 NBR 902	BAU	8963	●
60	100	10	AS	smooth	0,05	72 NBR 902	BAUSLX2	49011493	●
60	110	10	AS	smooth	0,05	72 NBR 902	BAUSLX2	479624	●
60	110	10	A	smooth	0,05	72 NBR 902	BAUX2	530010	●
60	110	12	AS	smooth	0,05	72 NBR 902	BAUSLX2	455632	●
60	110	13	A	smooth	0,05	72 NBR 902	BA	8965	●
62	80	10	A	smooth	0,05	72 NBR 902	BA	8978	●
62	85	10	A	smooth	0,05	72 NBR 902	BA	8983	●
62	90	10	A	grooved	0,02	72 NBR 902	BAFUDX7	334847	●
62	90	10	A	smooth	0,05	72 NBR 902	BAU	523562	○
62	90	12	AS	smooth	0,05	72 NBR 902	BAUSLX2	470364	●
62	120	12	AS	smooth	0,05	72 NBR 902	BAUSLX2	470345	●
63	85	10	A	smooth	0,05	72 NBR 902	BAU	2794	●
63	90	10	A	smooth	0,05	72 NBR 902	BA	14877	●
64	80	8	A	smooth	0,02	72 NBR 902	BAFUD	12011006	●
64	90	10	A	smooth	0,05	72 NBR 902	BA	9003	●
65	80	8	A	grooved	0,02	72 NBR 902	BAFUDX7	355414	●
65	80	8	AS	grooved	0,05	72 NBR 902	BAUSLX7	49033418	○
65	85	10	A	smooth	0,05	72 NBR 902	BAU	9011	○
65	85	10	A	grooved	0,02	72 NBR 902	BAFUDX7	334324	●
65	85	10	AS	smooth	0,02	72 NBR 902	BAFUDSL	12011195	●
65	85	12	AS	smooth	0,05	72 NBR 902	BAUSLX2	470431	●
65	85	13	A	smooth	0,05	72 NBR 902	BA	9015	●

● Available from stock ○ On request: Tool is available, delivery at short notice

d ₁	d ₂	b	DIN 3761	Outer surface	Pressure	Material	Type	Article No.	
65	85	13	AS	grooved	0,02	72 NBR 902	BAFUDSLX7	355410	●
65	90	8	AS	smooth	0,05	72 NBR 902	BAUSLX2	49017459	●
65	90	10	AS	smooth	0,05	72 NBR 902	BAUSLX2	524504	●
65	90	10	A	smooth	0,05	72 NBR 902	BAUX2	527119	●
65	90	13	A	smooth	0,05	72 NBR 902	BA	9030	●
65	95	10	A	grooved	0,02	72 NBR 902	BAFUDX7	334849	●
65	100	10	AS	grooved	0,05	72 NBR 902	BAUSLX7	451669	●
65	100	10	A	smooth	0,02	72 NBR 902	BAFUD	49001654	●
65	100	10	AS	smooth	0,05	72 NBR 902	BAUSLX2	49001671	●
65	100	12	A	smooth	0,05	72 NBR 902	BA	9041	●
65	100	12	AS	smooth	0,05	72 NBR 902	BAUSLX2	470433	●
65	110	10	AS	smooth	0,05	72 NBR 902	BAUSLX2	522256	●
65	120	10	A	grooved	0,05	72 NBR 902	BAUX27	450736	●
65	120	10	AS	grooved	0,05	72 NBR 902	BAUSLX27	450737	●
65	120	10	AS	smooth	0,05	72 NBR 902	BAUSLX2	49037439	●
65	120	10	A	smooth	0,05	72 NBR 902	BAUX2	49037440	●
65	120	12	AS	smooth	0,05	72 NBR 902	BAUSLX2	455634	●
65	140	12	AS	smooth	0,05	72 NBR 902	BAUSLX2	455636	●
65	140	12	A	smooth	0,05	72 NBR 902	BAUX2	475367	●
67	90	10	A	smooth	0,05	72 NBR 902	BAUSL	464665	○
68	85	10	A	grooved	0,02	72 NBR 902	BAFUDX7	411221	●
68	87	8	AS	smooth	0,02	72 NBR 902	BAFUDSL	12011197	●
68	90	10	A	smooth	0,05	72 NBR 902	BAUSL	9060	●
68	90	10	A	grooved	0,02	72 NBR 902	BAFUDX7	355406	●
68	100	10	A	smooth	0,05	72 NBR 902	BA	9062	●
69	90	10	A	smooth	0,05	72 NBR 902	BAU	9066	●
70	85	7	A	grooved	0,02	72 NBR 902	BAFUDX7	355485	●
70	85	8	A	grooved	0,02	72 NBR 902	BAFUDX7	334851	●
70	85	8	AS	smooth	0,05	72 NBR 902	BAUSLX2	524145	●
70	90	10	A	smooth	0,05	72 NBR 902	BAU	9095	●
70	90	10	A	grooved	0,02	72 NBR 902	BAFUDX7	355432	●
70	90	10	AS	grooved	0,05	72 NBR 902	BAUSLX7	376900	○
70	90	10	AS	smooth	0,05	72 NBR 902	BAUSLX2	524198	●
70	90	12	AS	smooth	0,05	72 NBR 902	BAUSLX2	455638	●
70	90	12	A	smooth	0,05	72 NBR 902	BAUX2	520465	●
70	90	13	A	smooth	0,05	72 NBR 902	BAU	9101	●
70	90	13	A	smooth	0,05	72 NBR 902	BAUSL	9102	●
70	95	10	A	smooth	0,05	72 NBR 902	BAU	9106	●
70	95	10	A	smooth	0,05	72 NBR 902	BAU	523551	○
70	95	13	A	smooth	0,05	72 NBR 902	BAU	9108	●
70	100	6	A	smooth	0,05	72 NBR 902	BA	9110	●
70	100	10	A	grooved	0,02	72 NBR 902	BAFUDX7	334325	●
70	100	10	A	smooth	0,05	72 NBR 902	BAU	340877	○
70	100	10	AS	smooth	0,05	72 NBR 902	BAUSLX2	522359	●
70	100	10	A	smooth	0,05	72 NBR 902	BAU	523842	○
70	100	12	A	smooth	0,02	72 NBR 902	BAFUD	523564	●
70	100	13	A	smooth	0,05	72 NBR 902	BAU	9122	●
70	110	8	A	smooth	0,05	72 NBR 902	BAU	9128	●
70	110	8	A	smooth	0,05	72 NBR 902	BAUX2	49033018	●
70	110	10	AS	grooved	0,05	72 NBR 902	BAUSLX7	377886	●

● Available from stock ○ On request: Tool is available, delivery at short notice

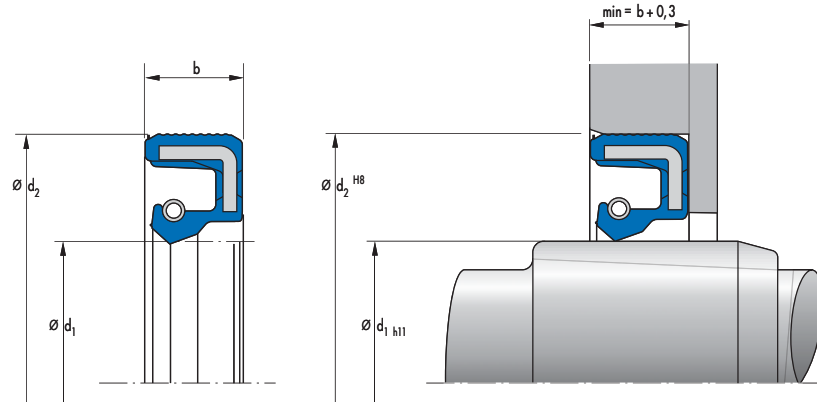


d ₁	d ₂	b	DIN 3761	Outer surface	Pressure	Material	Type	Article No.	
70	110	12	AS	smooth	0,05	72 NBR 902	BAUSLX2	455641	●
70	110	13	A	smooth	0,05	72 NBR 902	BAU	9130	●
70	110	13	AS	grooved	0,02	72 NBR 902	BAFUDSLX7	407536	●
70	115	16	A	smooth	0,05	72 NBR 902	BA	306770	●
70	120	10	AS	grooved	0,02	72 NBR 902	BAFUDSLX7	452953	●
70	125	12	AS	smooth	0,05	72 NBR 902	BAUSLX2	49011092	●
70	125	12	A	smooth	0,05	72 NBR 902	BAUX2	49011093	●
70	130	10	AS	smooth	0,05	72 NBR 902	BAUSLX2	479457	●
70	130	10	A	smooth	0,05	72 NBR 902	BAUX2	479458	●
70	130	12	AS	smooth	0,05	72 NBR 902	BAUSLX2	477908	●
72	90	10	A	smooth	0,05	72 NBR 902	BA	9137	●
72	90	10	A	smooth	0,05	72 NBR 902	BAUX2	49025290	●
72	95	10	A	grooved	0,02	72 NBR 902	BAFUDX7	366669	●
72	95	10	AS	grooved	0,02	72 NBR 902	BAFUDSLX7	437162	●
72	95	12	AS	smooth	0,05	72 NBR 902	BAUSLX2	470366	●
72	100	10	A	smooth	0,05	72 NBR 902	BAU	9142	●
72	100	10	A	smooth	0,05	72 NBR 902	BAU	523565	○
72	100	12	A	grooved	0,02	72 NBR 902	BAFUDX7	520460	●
72	130	12	AS	smooth	0,05	72 NBR 902	BAUSLX2	523524	●
72	140	12	AS	smooth	0,05	72 NBR 902	BAUSLX2	470349	●
74	90	10	A	smooth	0,05	72 NBR 902	BA	9149	●
74	95	10	A	grooved	0,02	72 NBR 902	BAFUDX7	334852	●
75	90	8	A	smooth	0,05	72 NBR 902	BAU	9157	●
75	90	8	A	smooth	0,05	72 NBR 902	BAUX2	49024277	●
75	95	9	AS	smooth	0,05	72 NBR 902	BASL	61875	●
75	95	9	AS	smooth	0,02	72 NBR 902	BAFUDSL	417887	●
75	95	10	AS	smooth	0,02	72 NBR 902	BAFUDSL	12011201	●
75	95	10	A	smooth	0,05	72 NBR 902	BAUX2	49017472	●
75	95	12	A	smooth	0,05	72 NBR 902	BAU	9172	●
75	95	12	AS	smooth	0,05	72 NBR 902	BAUSLX2	524699	●
75	100	10	AS	smooth	0,05	72 NBR 902	BAUSLX2	524653	●
75	100	10	A	smooth	0,05	72 NBR 902	BAUX2	525285	●
75	100	12	AS	grooved	0,02	72 NBR 902	BAFUDSLX7	334855	●
75	100	13	A	smooth	0,05	72 NBR 902	BAU	9189	●
75	105	12	A	smooth	0,02	72 NBR 902	BAFUD	12011023	●
75	110	12	A	smooth	0,02	72 NBR 902	BAFUD	12011024	●

● Available from stock ○ On request: Tool is available, delivery at short notice

d ₁	d ₂	b	DIN 3761	Outer surface	Pressure	Material	Type	Article No.	
75	110	13	AS	smooth	0,02	72 NBR 902	BAFUDSL	12000542	●
75	115	12	AS	smooth	0,05	72 NBR 902	BAUSLX2	475360	●
75	120	12	A	grooved	0,05	72 NBR 902	BAUX27	450738	●
75	120	12	AS	grooved	0,05	72 NBR 902	BAUSLX27	451194	●
75	130	10	AS	smooth	0,05	72 NBR 902	BAUSLX2	477279	●
75	130	12	AS	smooth	0,05	72 NBR 902	BAUSLX2	455643	●
76	100	10	A	smooth	0,05	72 NBR 902	BAU	9198	●
78	100	10	A	smooth	0,05	72 NBR 902	BAU	9204	●
80	100	10	A	smooth	0,05	72 NBR 902	BAU	9216	○
80	100	10	AS	smooth	0,05	72 NBR 902	BAUSLX2	524139	●
80	100	10	A	smooth	0,02	72 NBR 902	BAFUD	532626	●
80	100	12	AS	smooth	0,05	72 NBR 902	BAUSLX2	470439	●
80	100	13	A	smooth	0,05	72 NBR 902	BAU	9221	●
80	100	13	AS	smooth	0,02	72 NBR 902	BAFUDSL	12011204	●
80	105	13	A	grooved	0,02	72 NBR 902	BAFUDX7	334326	●
80	105	13	A	smooth	0,05	72 NBR 902	BAU	523566	○
80	110	8	A	smooth	0,05	72 NBR 902	BAUX2	524780	●
80	110	10	AS	smooth	0,05	72 NBR 902	BAUSLX2	524503	●
80	110	10	A	smooth	0,05	72 NBR 902	BAUX2	49033031	●
80	110	12	A	smooth	0,02	72 NBR 902	BAFUD	12011030	●
80	110	13	A	smooth	0,02	72 NBR 902	BAFUD	12011031	●
80	115	10	A	smooth	0,05	72 NBR 902	BA	9234	●
80	120	13	A	smooth	0,02	72 NBR 902	BAFUD	12011033	●
80	125	12	AS	smooth	0,05	72 NBR 902	BAUSLX2	470441	●
80	125	13	A	grooved	0,05	72 NBR 902	BAUX27	453163	●
80	140	13	AS	grooved	0,05	72 NBR 902	BAUSLX27	453165	●
80	140	13	A	grooved	0,05	72 NBR 902	BAUX27	453166	●
80	140	13	A	smooth	0,05	72 NBR 902	BAUX2	49037441	●
80	140	13	AS	smooth	0,05	72 NBR 902	BAUSLX2	49037452	●
80	150	15	AS	smooth	0,05	72 NBR 902	BAUSLX2	520449	●
80	170	13	AS	smooth	0,05	72 NBR 902	BAUSLX2	434902	●
82	105	10	AS	smooth	0,05	72 NBR 902	BASL	9242	●
82	105	10	AS	smooth	0,05	72 NBR 902	BAUSLX2	529148	●
82	105	12	A	smooth	0,05	72 NBR 902	BAU	9244	●
82	120	13	AS	smooth	0,05	72 NBR 902	BAUSLX2	470376	●
82	160	13	AS	smooth	0,05	72 NBR 902	BAUSLX2	470381	●
85	100	9	A	smooth	0,05	72 NBR 902	BA	24569	●
85	100	9	AS	grooved	0,05	72 NBR 902	BAUSLX27	533028	●
85	105	13	A	grooved	0,02	72 NBR 902	BAFUDX7	335194	●
85	105	13	A	smooth	0,05	72 NBR 902	BAU	354468	○
85	110	12	AS	smooth	0,05	72 NBR 902	BAUSLX2	455645	●
85	110	12	A	smooth	0,05	72 NBR 902	BAUX2	526074	●
85	110	13	A	grooved	0,02	72 NBR 902	BAFUDX7	335159	●
85	115	13	A	smooth	0,02	72 NBR 902	BAFUD	12011037	●
85	120	12	A	smooth	0,05	72 NBR 902	BA	14070	●
85	125	10	AS	smooth	0,05	72 NBR 902	BAUSLX2	522358	●
85	130	10	AS	grooved	0,05	72 NBR 902	BAUSLX27	49002843	●
85	130	10	A	smooth	0,05	72 NBR 902	BAUX2	49005998	●
85	130	12	A	smooth	0,05	72 NBR 902	BAU	394923	●
85	140	12	A	grooved	0,02	72 NBR 902	BAUX7	369435	●

● Available from stock ○ On request: Tool is available, delivery at short notice

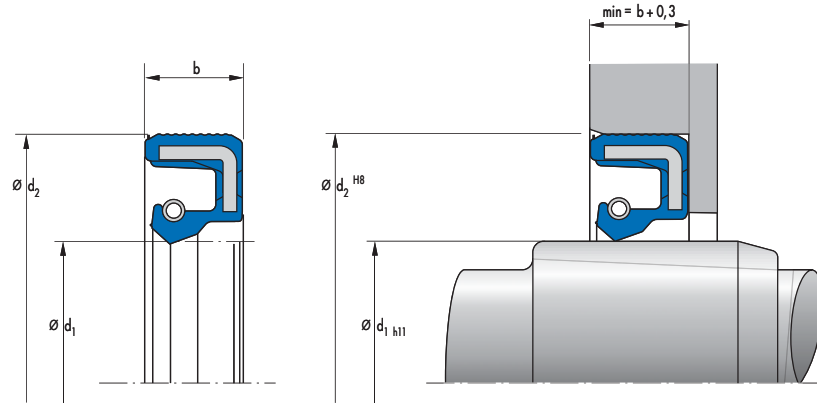


d ₁	d ₂	b	DIN 3761	Outer surface	Pressure	Material	Type	Article No.	
85	140	12	AS	grooved	0,05	72 NBR 902	BAUSLX7	369448	●
85	140	12	AS	smooth	0,05	72 NBR 902	BAUSLX2	455648	●
85	150	12	AS	smooth	0,05	72 NBR 902	BAUSLX2	477583	●
85	150	12	A	smooth	0,05	72 NBR 902	BAUX2	49006054	●
86	105	13	A	smooth	0,05	72 NBR 902	BA	9273	●
86	110	13	A	smooth	0,05	72 NBR 902	BA	9275	●
88	110	10	A	smooth	0,05	72 NBR 902	BA	9279	●
88	160	13	AS	smooth	0,05	72 NBR 902	BAUSLX2	475363	●
90	110	8	A	grooved	0,02	72 NBR 902	BAFUDX7	338992	●
90	110	10	A	smooth	0,05	72 NBR 902	BAU	327928	●
90	110	10	A	smooth	0,05	72 NBR 902	BAUSL	452252	●
90	110	12	A	grooved	0,02	72 NBR 902	BAFUDX7	334762	●
90	110	12	A	smooth	0,05	72 NBR 902	BAUSL	371060	●
90	110	13	A	smooth	0,05	72 NBR 902	BAU	9287	●
90	110	13	AS	smooth	0,05	72 NBR 902	BAUSLX2	49011512	●
90	115	12	A	smooth	0,05	72 NBR 902	BAU	313552	●
90	120	12	A	grooved	0,02	72 NBR 902	BAFUDX7	335160	●
90	120	13	A	smooth	0,05	72 NBR 902	BAU	9294	●
90	120	13	AS	grooved	0,02	72 NBR 902	BAFUDSLX7	339432	●
90	130	13	A	smooth	0,05	72 NBR 902	BA	9301	●
90	140	13	A	smooth	0,05	72 NBR 902	BA	28763	●
90	140	13	AS	smooth	0,05	72 NBR 902	BAUSLX2	522420	●
90	140	13	A	smooth	0,05	72 NBR 902	BAUX2	49037535	●
92	120	12	A	smooth	0,05	72 NBR 902	BA	9303	●
95	115	13	AS	smooth	0,05	72 NBR 902	BASL	346567	○
95	115	13	AS	smooth	0,05	72 NBR 902	BAUSLX2	524194	●
95	120	12	A	grooved	0,02	72 NBR 902	BAFUDX7	355407	●
95	120	12	A	smooth	0,05	72 NBR 902	BAUX2	529408	○
95	120	12	AS	smooth	0,02	72 NBR 902	BAFUDSL	12011207	●
95	120	12	A	smooth	0,05	72 NBR 902	BAUX2	49035730	●
95	120	13	A	smooth	0,05	72 NBR 902	BA	9310	●
95	125	12	A	smooth	0,05	72 NBR 902	BA	3450	●
95	125	12	AS	grooved	0,02	72 NBR 902	BAFUDSLX7	335174	●
95	125	13	AS	smooth	0,05	72 NBR 902	BAUSLX2	455650	●
95	125	13	A	smooth	0,05	72 NBR 902	BAUX2	49037536	●
95	145	13	AS	grooved	0,05	72 NBR 902	BAUSLX27	451051	●

● Available from stock ○ On request: Tool is available, delivery at short notice

d ₁	d ₂	b	DIN 3761	Outer surface	Pressure	Material	Type	Article No.	
95	145	13	A	grooved	0,05	72 NBR 902	BAUX27	451052	●
95	145	13	AS	smooth	0,05	72 NBR 902	BAUSLX2	470443	●
95	170	13	AS	smooth	0,05	72 NBR 902	BAUSLX2	455653	○
98	125	12	A	smooth	0,05	72 NBR 902	BA	9319	●
98	125	12	AS	smooth	0,05	72 NBR 902	BASL	18962	●
100	120	10	A	smooth	0,05	72 NBR 902	BAUX2	9323	●
100	120	12	A	smooth	0,05	72 NBR 902	BAU	9327	○
100	120	12	AS	grooved	0,02	72 NBR 902	BAFUDSLX7	334231	●
100	120	12	A	grooved	0,02	72 NBR 902	BAFUDX7	335175	●
100	125	12	A	grooved	0,02	72 NBR 902	BAFUDX7	355481	●
100	125	13	A	smooth	0,05	72 NBR 902	BA	9338	●
100	125	13	AS	grooved	0,02	72 NBR 902	BAFUDSLX7	334856	●
100	130	10	A	smooth	0,05	72 NBR 902	BA	9341	●
100	130	12	A	smooth	0,05	72 NBR 902	BA	8079	●
100	130	12	A	grooved	0,02	72 NBR 902	BAFUDX7	369826	●
100	130	12	AS	smooth	0,05	72 NBR 902	BAUSLX2	526078	●
100	130	13	AS	smooth	0,05	72 NBR 902	BAUSLX2	478549	●
100	135	13	A	smooth	0,05	72 NBR 902	BAU	340026	●
100	145	12	AS	smooth	0,05	72 NBR 902	BAUSLX2	522357	●
100	150	12	A	smooth	0,05	72 NBR 902	BA	9345	●
100	160	14	AS	grooved	0,05	72 NBR 902	BAUSLX27	451670	●
100	160	14	A	grooved	0,05	72 NBR 902	BAUX27	453167	●
100	180	12	A	grooved	0,05	72 NBR 902	BAUX27	450739	●
100	180	12	AS	grooved	0,05	72 NBR 902	BAUSLX27	450740	●
100	180	12	AS	smooth	0,05	72 NBR 902	BAUSLX2	49037437	●
100	180	12	A	smooth	0,05	72 NBR 902	BAUX2	49037438	●
100	190	15	AS	smooth	0,05	72 NBR 902	BAUSLX2	520451	●
104	125	10	A	smooth	0,05	72 NBR 902	BA	9355	●
105	130	8	AS	smooth	0,05	72 NBR 902	BAUSLX2	524146	●
105	130	12	A	smooth	0,05	72 NBR 902	BAU	9361	●
105	130	12	AS	grooved	0,02	72 NBR 902	BAFUDSLX7	335177	●
105	140	12	A	smooth	0,05	72 NBR 902	BA	2771	●
105	140	12	AS	smooth	0,05	72 NBR 902	BAUSLX2	524505	●
105	160	12	AS	smooth	0,05	72 NBR 902	BAUSLX2	475362	●
105	190	12	AS	smooth	0,05	72 NBR 902	BAUSLX2	522306	●
108	140	15	AS	smooth	0,05	72 NBR 902	BAUSLX2	470435	●
108	170	15	AS	smooth	0,05	72 NBR 902	BAUSLX2	470383	●
109,4	160	8	AS	grooved	0,05	72 NBR 902	BASLX7	396236	○
110	130	8	AS	grooved	0,05	72 NBR 902	BAUSLX7	49033417	○
110	130	12	A	smooth	0,05	72 NBR 902	BAUSL	126037	●
110	130	12	A	grooved	0,02	72 NBR 902	BAFUDX7	355424	●
110	140	12	AS	smooth	0,05	72 NBR 902	BASL	9373	●
110	140	12	A	smooth	0,05	72 NBR 902	BAU	14103	●
110	140	13	A	smooth	0,05	72 NBR 902	BAUSL	9380	●
110	140	13	A	smooth	0,05	72 NBR 902	BA	9381	●
110	150	12	A	grooved	0,02	72 NBR 902	BAFUDX7	474182	●
110	170	15	AS	smooth	0,05	72 NBR 902	BAUSLX2	520450	●
110	200	13	AS	grooved	0,05	72 NBR 902	BAUSLX27	451053	●
110	200	13	A	grooved	0,05	72 NBR 902	BAUX27	451054	●
110	215	15	AS	smooth	0,05	72 NBR 902	BAUSLX2	520453	●

● Available from stock ○ On request: Tool is available, delivery at short notice

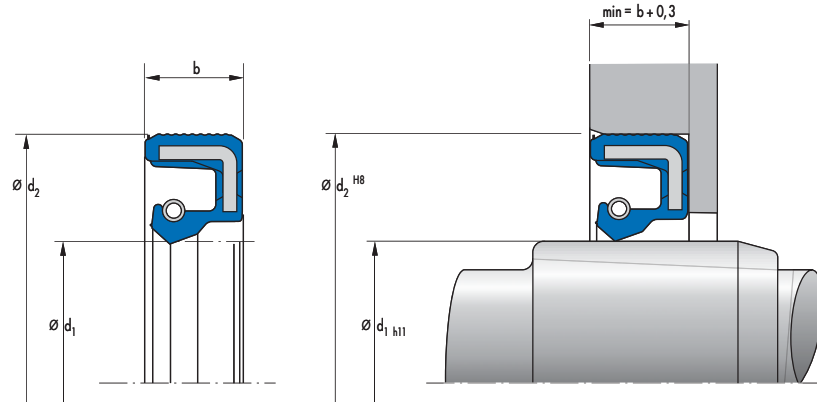


d ₁	d ₂	b	DIN 3761	Outer surface	Pressure	Material	Type	Article No.	
112	140	13	A	smooth	0,05	72 NBR 902	BAU	9395	●
115	140	12	AS	grooved	0,02	72 NBR 902	BAFUDSLX7	334501	●
115	140	12	A	smooth	0,05	72 NBR 902	BAUSL	335212	○
115	140	12	A	grooved	0,02	72 NBR 902	BAFUDX7	355480	●
115	140	12	AS	grooved	0,05	72 NBR 902	BAUSLX7	401314	○
115	150	12	A	smooth	0,05	72 NBR 902	BA	2605	●
115	170	12	AS	smooth	0,05	72 NBR 902	BAUSLX2	522356	●
115	215	12	AS	smooth	0,05	72 NBR 902	BAUSLX2	522309	●
118	150	12	AS	smooth	0,05	72 NBR 902	BAUSLX2	457498	●
118	150	12	A	smooth	0,05	72 NBR 902	BAUX2	462756	●
120	140	12	A	smooth	0,05	72 NBR 902	BAU	411088	●
120	140	12	A	smooth	0,05	72 NBR 902	BAUSL	49030924	●
120	140	13	AS	smooth	0,05	72 NBR 902	BAUSLX2	524147	●
120	140	13	A	smooth	0,05	72 NBR 902	BAUX2	49037537	●
120	150	12	A	smooth	0,05	72 NBR 902	BAU	9413	○
120	150	12	AS	smooth	0,05	72 NBR 902	BAUSLX2	526963	●
120	150	12	A	smooth	0,05	72 NBR 902	BAUX2	49017408	●
120	150	13	A	smooth	0,05	72 NBR 902	BA	31371	●
120	150	13	AS	smooth	0,05	72 NBR 902	BASL	418990	●
120	150	15	AS	smooth	0,05	72 NBR 902	BAUSLX2	470447	●
120	160	12	A	smooth	0,05	72 NBR 902	BA	14120	●
120	180	12	AS	smooth	0,05	72 NBR 902	BAUSLX2	49043674	●
120	180	12	A	smooth	0,05	72 NBR 902	BAUX2	49043675	●
120	180	15	AS	smooth	0,05	72 NBR 902	BAUSLX2	470451	●
120	180	15	A	smooth	0,05	72 NBR 902	BAUX2	49031233	○
120	200	14	AS	grooved	0,05	72 NBR 902	BAUSLX27	451037	●
120	200	14	A	grooved	0,05	72 NBR 902	BAUX27	453168	●
122	150	15	AS	smooth	0,05	72 NBR 902	BASL	9427	●
122	200	15	AS	smooth	0,05	72 NBR 902	BAUSLX2	475364	●
125	150	12	AS	grooved	0,02	72 NBR 902	BAFUDSLX7	334229	●
125	150	12	A	grooved	0,02	72 NBR 902	BAFUDX7	335125	●
125	150	13	A	smooth	0,05	72 NBR 902	BA	9440	●
125	160	12	A	smooth	0,05	72 NBR 902	BA	14142	●
125	160	15	AS	smooth	0,05	72 NBR 902	BAUSLX2	470445	●
125	180	12	AS	smooth	0,05	72 NBR 902	BAUSLX2	522355	●
125	200	15	AS	smooth	0,05	72 NBR 902	BAUSLX2	470425	●

● Available from stock ○ On request: Tool is available, delivery at short notice

d ₁	d ₂	b	DIN 3761	Outer surface	Pressure	Material	Type	Article No.	
128	150	13	A	smooth	0,05	72 NBR 902	BAU	9452	●
130	160	12	A	grooved	0,02	72 NBR 902	BAFUDX7	364316	●
130	160	12	AS	smooth	0,05	72 NBR 902	BAUSLX2	49030495	●
130	160	13	A	grooved	0,02	72 NBR 902	BAFUDX7	335201	●
130	160	14	A	smooth	0,05	72 NBR 902	BAU	376145	●
130	160	15	A	smooth	0,05	72 NBR 902	BAUSL	9463	●
130	170	12	A	smooth	0,05	72 NBR 902	BA	14143	●
130	170	12	AS	smooth	0,02	72 NBR 902	BAFUDSL	12013366	●
130	170	15	AS	smooth	0,05	72 NBR 902	BAUSLX2	524696	●
130	200	15	AS	smooth	0,05	72 NBR 902	BAUSLX2	475361	●
130	215	15	AS	smooth	0,05	72 NBR 902	BAUSLX2	520454	●
130	230	14	AS	grooved	0,05	72 NBR 902	BAUSLX27	451056	●
130	230	14	A	grooved	0,05	72 NBR 902	BAUX27	451058	●
135	160	12	A	smooth	0,02	72 NBR 902	BAFUD	12011085	●
135	170	12	A	grooved	0,02	72 NBR 902	BAFUDX7	335202	●
135	170	12	AS	smooth	0,05	72 NBR 902	BAUSLX2	478571	●
135	170	12	A	smooth	0,05	72 NBR 902	BAUX2	478573	●
135	215	12	AS	smooth	0,05	72 NBR 902	BAUSLX2	522312	●
140	165	12	A	smooth	0,05	72 NBR 902	BA	9475	●
140	170	12	AS	smooth	0,02	72 NBR 902	BAFUDSL	12014961	●
140	170	13	A	smooth	0,05	72 NBR 902	BAU	9484	●
140	170	15	A	smooth	0,05	72 NBR 902	BA	5743	●
140	170	15	AS	smooth	0,05	72 NBR 902	BASL	9491	●
140	170	15	A	smooth	0,05	72 NBR 902	BA	9493	●
140	170	15	A	smooth	0,05	72 NBR 902	BAUX2	478568	○
140	170	15	AS	smooth	0,05	72 NBR 902	BAUSLX2	49011061	●
140	180	12	A	smooth	0,02	72 NBR 902	BAFUD	12011089	●
140	180	12	A	smooth	0,05	72 NBR 902	BAUX2	49037538	●
140	230	15	AS	grooved	0,05	72 NBR 902	BAUSLX27	451930	●
140	230	15	A	grooved	0,05	72 NBR 902	BAUX27	532980	●
140	250	15	A	grooved	0,05	72 NBR 902	BAUX27	467792	●
140	250	15	AS	grooved	0,05	72 NBR 902	BAUSLX27	467868	●
145	170	13	AS	smooth	0,05	72 NBR 902	BAUSLX2	49016145	●
145	170	15	A	smooth	0,05	72 NBR 902	BAU	106590	○
145	175	15	A	smooth	0,05	72 NBR 902	BA	14163	●
145	180	13	AS	smooth	0,02	72 NBR 902	BAFUDSL	12011214	●
145	190	17	AS	smooth	0,05	72 NBR 902	BAUSLX2	470449	●
145	230	17	AS	smooth	0,05	72 NBR 902	BAUSLX2	470427	●
148	170	15	A	smooth	0,05	72 NBR 902	BA	9501	●
150	180	13	A	smooth	0,05	72 NBR 902	BA	9505	●
150	180	15	A	smooth	0,05	72 NBR 902	BAU	49010296	●
150	180	15	AS	smooth	0,05	72 NBR 902	BAUSLX2	49010594	●
150	225	15	AS	smooth	0,05	72 NBR 902	BAUSLX2	475365	●
155	174	12	A	smooth	0,05	72 NBR 902	BA	9518	●
155	180	15	AS	smooth	0,05	72 NBR 902	BAUSLX2	478569	●
155	180	15	A	smooth	0,05	72 NBR 902	BAUX2	478570	●
155	190	13	AS	smooth	0,05	72 NBR 902	BAUSLX2	478579	●
155	190	13	A	smooth	0,05	72 NBR 902	BAUX2	478580	●
155	225	12	AS	smooth	0,05	72 NBR 902	BAUSLX2	522354	●
160	185	10	A	smooth	0,05	72 NBR 902	BA	36952	●

● Available from stock ○ On request: Tool is available, delivery at short notice



d ₁	d ₂	b	DIN 3761	Outer surface	Pressure	Material	Type	Article No.	
160	185	14	A	smooth	0,05	72 NBR 902	BAU	331905	●
160	190	15	A	smooth	0,05	72 NBR 902	BAU	2627	●
160	190	15	AS	smooth	0,05	72 NBR 902	BASL	122255	●
160	190	15	A	smooth	0,05	72 NBR 902	BAU	323701	○
160	190	15	AS	smooth	0,05	72 NBR 902	BAUSLX2	49030496	●
160	240	14	AS	smooth	0,05	72 NBR 902	BAUSLX2	475366	●
160	290	18	AS	grooved	0,05	72 NBR 902	BAUSLX27	452148	●
160	290	18	A	grooved	0,05	72 NBR 902	BAUX27	452149	●
162	190	12	AS	smooth	0,05	72 NBR 902	BAUSLX2	478561	●
162	190	12	A	smooth	0,05	72 NBR 902	BAUX2	478563	●
165	190	13	A	smooth	0,05	72 NBR 902	BA	9529	●
170	200	15	A	smooth	0,05	72 NBR 902	BA	31453	●
170	200	15	AS	grooved	0,02	72 NBR 902	BAFUDSLX7	364313	●
174	190	5	A	smooth	0,05	72 NBR 902	BAUSL	406551	○
175	200	15	A	smooth	0,05	72 NBR 902	BAU	526213	●
175	205	15	A	smooth	0,05	72 NBR 902	BA	9550	●
180	210	15	A	grooved	0,02	72 NBR 902	BAFUDX27	346139	●
185	210	13	A	grooved	0,02	72 NBR 902	BAFUDX27	334281	●
190	220	12	A	smooth	0,05	72 NBR 902	BAUSL	9561	●
190	220	15	A	smooth	0,05	72 NBR 902	BAU	11458	○
190	220	15	A	grooved	0,02	72 NBR 902	BAFUDX27	334745	●
190	225	16	AS	smooth	0,05	72 NBR 902	BAUSLX2	478703	●
190	225	16	A	smooth	0,05	72 NBR 902	BAUX2	478704	●
200	230	15	A	smooth	0,05	72 NBR 902	BA	31464	●
200	230	15	A	smooth	0,05	72 NBR 902	BAUSL	349992	●
210	240	15	A	smooth	0,05	72 NBR 902	BA	2546	●
215	240	12	A	smooth	0,05	72 NBR 902	BAUX2	9577	●
215	250	16	A	smooth	0,05	72 NBR 902	BAU	9580	●
220	250	15	AS	grooved	0,05	72 NBR 902	BAUSLX7	49027671	●
220	250	15	A	grooved	0,02	72 NBR 902	BAUX7	49027702	●
230	255	15	A	smooth	0,05	72 NBR 902	BAUX2	49020472	●
230	260	15	A	smooth	0,05	72 NBR 902	BA	14221	●
230	260	15	AS	smooth	0,05	72 NBR 902	BASL	28250	●
240	270	15	A	smooth	0,05	72 NBR 902	BAU	9592	●
240	270	15	AS	smooth	0,05	72 NBR 902	BAUSLX2	478705	●
240	270	15	A	smooth	0,05	72 NBR 902	BAUX2	478706	○

● Available from stock ○ On request: Tool is available, delivery at short notice

d ₁	d ₂	b	DIN 3761	Outer surface	Pressure	Material	Type	Article No.	
250	280	15	A	smooth	0,05	72 NBR 902	BA	38350	●
250	280	15	AS	smooth	0,05	72 NBR 902	BAUSLX2	478708	●
255	290	12	A	smooth	0,05	72 NBR 902	BAU	303665	●
285	325	16	A	smooth	0,05	72 NBR 902	BA	9600	●
300	340	16	A	smooth	0,05	72 NBR 902	BA	9603	●
300	340	16	AS	grooved	0,05	72 NBR 902	BAUSLX7	346539	●
335	375	18	A	smooth	0,05	72 NBR 902	BA	9608	●
394	420	16	A	smooth	0,05	72 NBR 902	BA	9611	●
394	420	16	AS	smooth	0,05	72 NBR 902	BASL	528215	●
400	425	15	A	smooth	0,05	72 NBR 902	BA	355085	●
400	450	20	A	smooth	0,05	72 NBR 902	BA	10569	●
480	520	20	A	smooth	0,05	72 NBR 902	BA	10579	●
500	550	20	A	smooth	0,05	80 NBR 709	BAU	10580	●
560	610	20	A	smooth	0,05	80 NBR 709	BA	10582	●
600	640	20	A	smooth	0,05	72 NBR 902	BA	307130	●

● Available from stock ○ On request: Tool is available, delivery at short notice

Simmerring BABSL to DIN 3760 AS (Classical Pressure Seal)

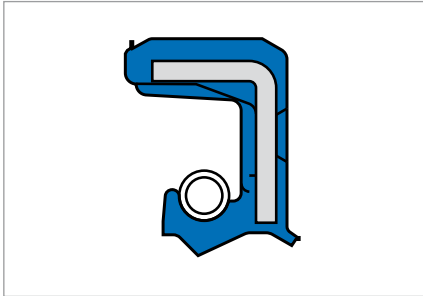


Fig. 1 Simmerring BABSL NBR/FKM

Product description

- Outer casing: elastomer
- Short, flexible, spring-loaded sealing lip
- Additional dust lip.

Product advantages

- Used preferably in pressurised units
- Reliable sealing of the housing bore, even with increased roughness of the bore, thermal expansion and split housings
- Advantages when sealing low viscosity and gaseous media
- Increased thermal stability and chemical resistance when 75 FKM 595 is used
- Additional dust lip as additional seal against moderate to medium dust and dirt ingress from outside
- Small axial dimensions
(Note: can lead to temperature increase from frictional heat).

Application

- Hydrostatic drives
(pumps, engines of all kinds)
- 2-stroke engines.

Material

Acrylonitrile-butadiene rubber

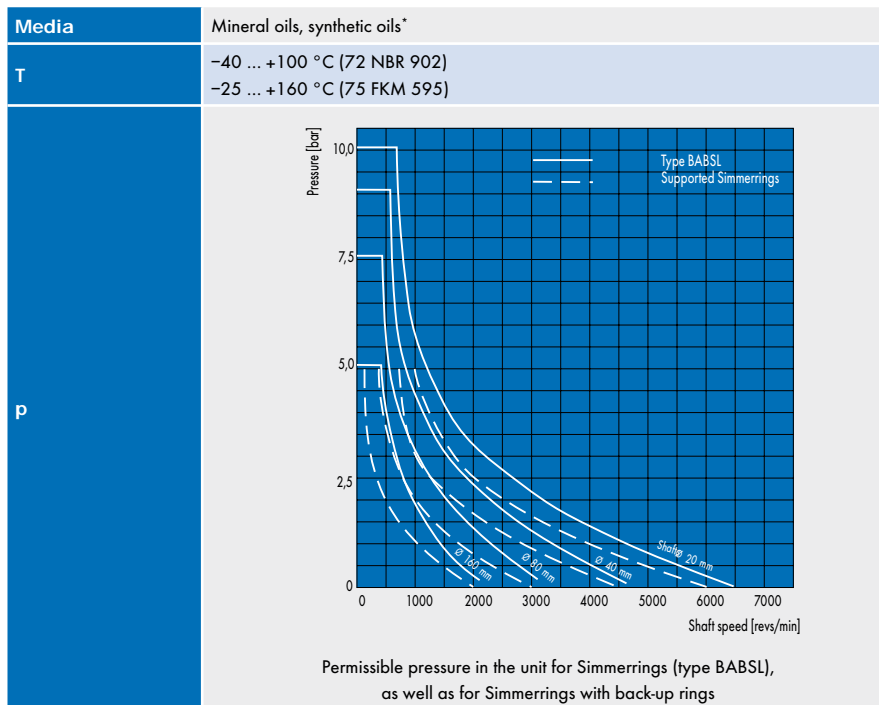
Code	72 NBR 902
Colour	Blue
Hardness	75 Shore A

Fluoro elastomer

Code	75 FKM 595
Colour	Red brown
Hardness	75 Shore A

Metal insert	Unalloyed steel DIN EN 10027-1
Spring	Spring steel DIN EN 10270-1

Operating conditions



* With synthetic oils (polyalkylene glycols/polyalphaolefins, → Technical Manual synthetic lubricants) it is to be noted that the maximum operating temperature of 80 °C must not be exceeded (only for use of NBR).

Max. permissible values depend on the other operating conditions.

Fitting & installation

Shaft

Tolerance	ISO h 11
Runout	IT 8
Roughness	$R_a = 0,2 \dots 0,4 \mu\text{m}$
	$R_z = 1,0 \dots 3,0 \mu\text{m}$
	$R_{max} = <6,3 \mu\text{m}$
Hardness	45 ... 60 HRC
Finish	No lead; preferably plunge ground

Housing bore

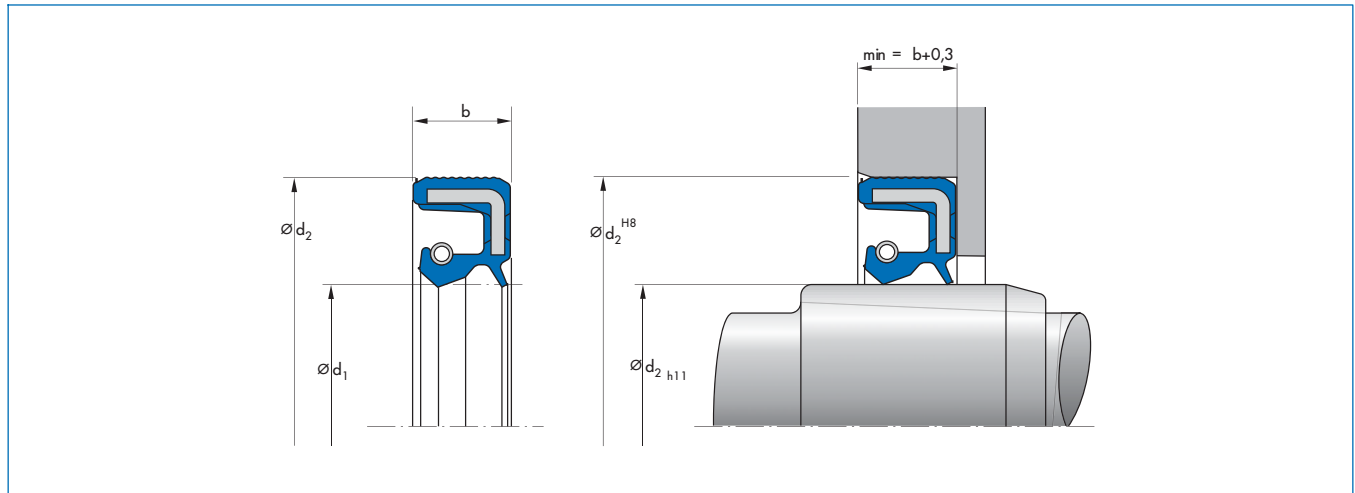
Tolerance	ISO H8
Roughness	$R_z = 10 \dots 25 \mu\text{m}$

Careful fitting according to DIN 3760 is a prerequisite for the correct function of the seal → Technical Manual.

Range of dimensions for shafts-Ø d₁

Simmerring BABSL (NBR)	8 ... 340 mm
Simmerring BABSL (FKMZ)	8 ... 170 mm

Article list

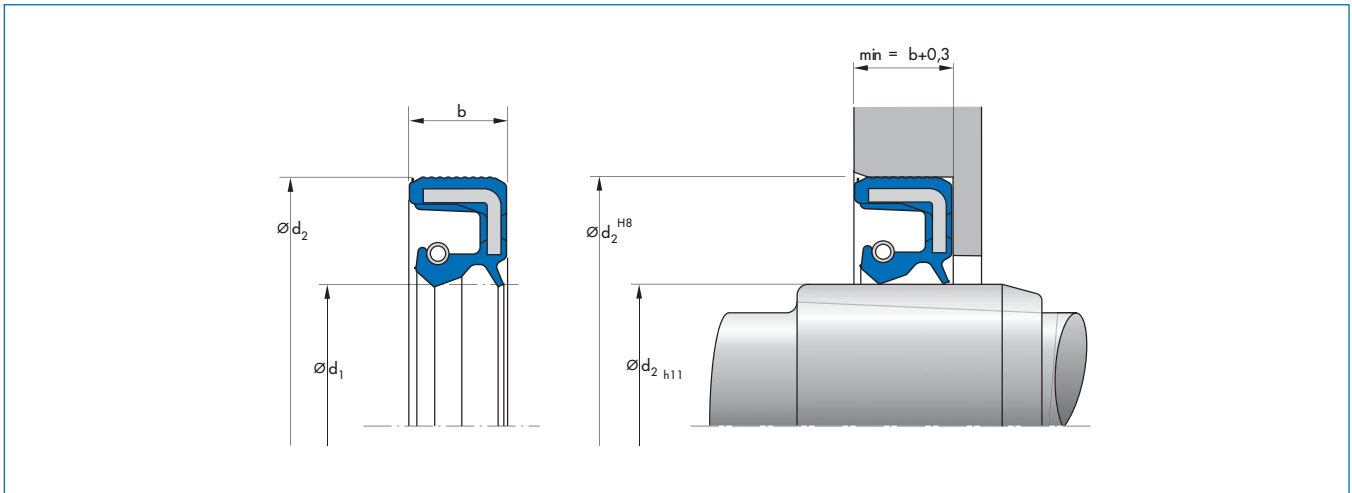


d_1	d_2	b	DIN 3761	Outer surface	Pressure	Material	Article No.	
8	22	6	AS	smooth	→ Diagram	72 NBR 902	462581	●
8	22	6	AS	smooth	→ Diagram	75 FKM 595	12019990	●
9	20	6	AS	smooth	→ Diagram	72 NBR 902	80489	●
10	22	6	AS	smooth	→ Diagram	72 NBR 902	2891	●
10	22	6	AS	smooth	→ Diagram	75 FKM 595	418583	●
11	22	7	AS	smooth	→ Diagram	72 NBR 902	12011513	●
12	22	6	AS	smooth	→ Diagram	75 FKM 595	418598	●
12	22	6	AS	smooth	→ Diagram	72 NBR 902	531222	●
12	24	6	AS	smooth	→ Diagram	75 FKM 595	325246	●
12	24	6	AS	smooth	→ Diagram	72 NBR 902	7100620	●
12	24	7	AS	smooth	→ Diagram	72 NBR 902	12011515	●
12	32	7	AS	smooth	→ Diagram	72 NBR 902	62027	●
14	24	7	AS	smooth	→ Diagram	72 NBR 902	12011516	●
14	24	7	AS	smooth	→ Diagram	75 FKM 595	12013186	●
15	25	6	AS	smooth	→ Diagram	72 NBR 902	326153	●
15	25	6	AS	smooth	→ Diagram	75 FKM 595	433218	●
15	30	7	AS	smooth	→ Diagram	72 NBR 902	141150	●
15	30	7	AS	smooth	→ Diagram	75 FKM 595	523036	●
15	32	7	AS	smooth	→ Diagram	72 NBR 902	322185	●
15	35	6	AS	smooth	→ Diagram	72 NBR 902	2953	●
15	35	6	AS	smooth	→ Diagram	75 FKM 595	346627	●
16	26	7	AS	smooth	→ Diagram	72 NBR 902	462890	●
16	40	10	AS	smooth	→ Diagram	75 FKM 595	423803	●
17	30	6	AS	smooth	→ Diagram	75 FKM 595	12013032	●
17	30	6	AS	smooth	→ Diagram	72 NBR 902	12015495	●
17	35	7	AS	smooth	→ Diagram	72 NBR 902	12011728	●
18	30	6	AS	smooth	→ Diagram	75 FKM 595	116021	●
18	30	6	AS	smooth	→ Diagram	72 NBR 902	478785	●
18	30	7	AS	smooth	→ Diagram	72 NBR 902	12011517	●
18	32	6	AS	smooth	→ Diagram	72 NBR 902	12001667	●
18	35	6	AS	smooth	→ Diagram	72 NBR 902	2957	●
18	35	6	AS	smooth	→ Diagram	75 FKM 595	49009018	●
19	35	6	AS	smooth	→ Diagram	75 FKM 595	466758	●
19,05	31,75	6,35	AS	smooth	→ Diagram	72 NBR 902	311089	●
20	30	7	AS	smooth	→ Diagram	72 NBR 902	12020180	●

● Available from stock ○ On request: Tool is available, delivery at short notice

d ₁	d ₂	b	DIN 3761	Outer surface	Pressure	Material	Article No.	
20	32	6	AS	smooth	→ Diagram	75 FKM 595	520073	●
20	32	7	AS	smooth	→ Diagram	72 NBR 902	49017151	●
20	35	6	AS	smooth	→ Diagram	72 NBR 902	2959	●
20	35	6	AS	smooth	→ Diagram	75 FKM 595	468087	○
20	35	6	AS	smooth	→ Diagram	75 FKM 595	49030261	●
20	40	7	AS	smooth	→ Diagram	75 FKM 595	432903	●
20	40	7	AS	smooth	→ Diagram	72 NBR 902	49001289	●
22	32	6	AS	smooth	→ Diagram	72 NBR 902	2966	●
22	32	6	AS	smooth	→ Diagram	75 FKM 595	418603	●
22	35	6	AS	smooth	→ Diagram	72 NBR 902	2968	●
22	35	6	AS	smooth	→ Diagram	75 FKM 595	348896	●
22	40	7	AS	smooth	→ Diagram	75 FKM 595	49028556	○
24	40	7	AS	smooth	→ Diagram	72 NBR 902	432530	●
25	35	6	AS	smooth	→ Diagram	72 NBR 902	2990	●
25	35	6	AS	smooth	→ Diagram	75 FKM 595	342369	●
25	36	6	AS	smooth	→ Diagram	72 NBR 902	527283	●
25	37	6	AS	smooth	→ Diagram	75 FKM 595	520074	●
25	37	6	AS	smooth	→ Diagram	72 NBR 902	49009338	●
25	40	7	AS	smooth	→ Diagram	72 NBR 902	307424	●
25	40	7	AS	smooth	→ Diagram	75 FKM 595	366923	●
25	42	6	AS	smooth	→ Diagram	75 FKM 595	523934	●
25	42	6	AS	smooth	→ Diagram	72 NBR 902	12001675	●
25	47	6	AS	smooth	→ Diagram	72 NBR 902	2991	●
25	47	6	AS	smooth	→ Diagram	75 FKM 595	418622	●
25,4	38,1	6,35	AS	smooth	→ Diagram	72 NBR 902	427899	○
26	40	6	AS	smooth	→ Diagram	75 FKM 595	426478	●
26	42	7	AS	smooth	→ Diagram	75 FKM 595	49021064	●
27	39	6	AS	smooth	→ Diagram	75 FKM 595	49012698	○
28	40	6	AS	smooth	→ Diagram	72 NBR 902	338223	●
28	40	6	AS	smooth	→ Diagram	75 FKM 595	339414	●
28	40	7	AS	smooth	→ Diagram	72 NBR 902	523549	●
28	40	8	AS	smooth	→ Diagram	75 FKM 595	404676	●
28	40	8	AS	smooth	→ Diagram	72 NBR 902	432619	●
28	40	9	AS	smooth	→ Diagram	72 NBR 902	68078	●
30	42	6	AS	smooth	→ Diagram	72 NBR 902	3003	●
30	42	6	AS	smooth	→ Diagram	75 FKM 595	418629	●
30	42	7	AS	smooth	→ Diagram	72 NBR 902	12001682	●
30	50	7	AS	smooth	→ Diagram	72 NBR 902	49019367	●
30	52	7	AS	smooth	→ Diagram	72 NBR 902	396855	●
31,75	44,45	6,35	AS	smooth	→ Diagram	72 NBR 902	81721	●
32	44	8	AS	smooth	→ Diagram	72 NBR 902	69442	●
32	47	6	AS	smooth	→ Diagram	72 NBR 902	910	●
32	47	6	AS	smooth	→ Diagram	75 FKM 595	418674	●
32	47	6	AS	smooth	→ Diagram	75 FKM 595	49033017	●
32	52	6	AS	smooth	→ Diagram	72 NBR 902	345348	●
35	47	6	AS	smooth	→ Diagram	75 FKM 595	418676	●
35	47	6	AS	smooth	→ Diagram	72 NBR 902	12001688	●
35	50	7	AS	smooth	→ Diagram	72 NBR 902	12011521	●
35	52	6	AS	smooth	→ Diagram	72 NBR 902	3004	●
35	52	6	AS	smooth	→ Diagram	75 FKM 595	418688	●

● Available from stock ○ On request: Tool is available, delivery at short notice

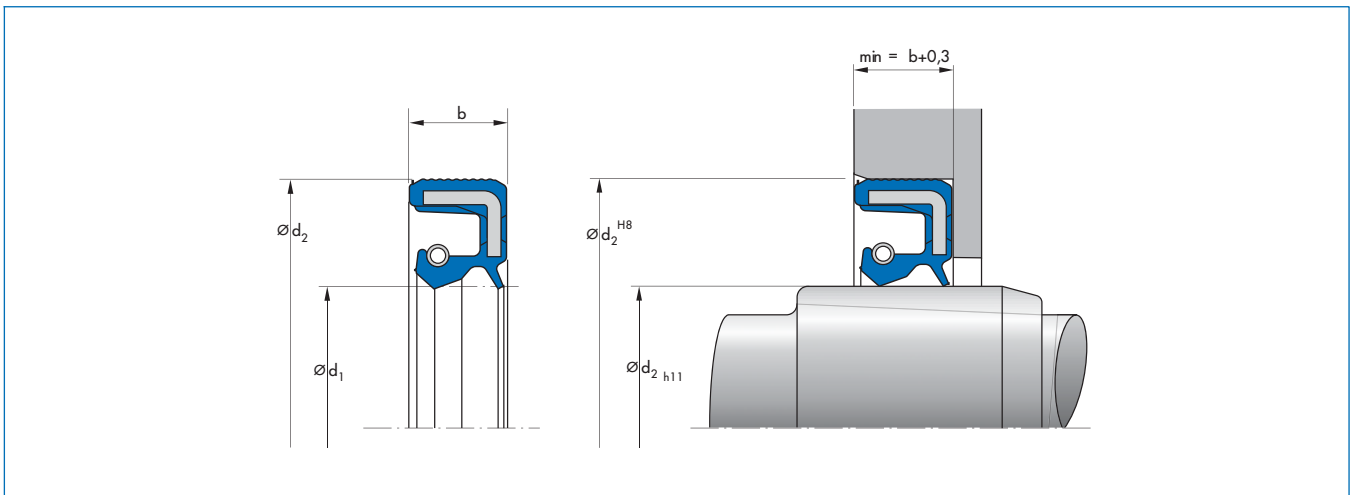


d_1	d_2	b	DIN 3761	Outer surface	Pressure	Material	Article No.	
35	52	6	AS	smooth	→ Diagram	72 NBR 902	436315	○
38	50	6	AS	smooth	→ Diagram	72 NBR 902	523552	●
38,1	57,15	7,93	AS	smooth	→ Diagram	72 NBR 902	64843	●
40	52	7	AS	smooth	→ Diagram	72 NBR 902	328911	●
40	55	6	AS	smooth	→ Diagram	75 FKM 595	329337	○
40	55	6	AS	smooth	→ Diagram	72 NBR 902	383444	●
40	55	6	AS	smooth	→ Diagram	75 FKM 595	479064	●
40	55	6	AS	smooth	→ Diagram	72 NBR 902	49034624	●
40	55	6	AS	smooth	→ Diagram	75 FKM 595	49035486	●
40	56	6	AS	smooth	→ Diagram	72 NBR 902	12001693	●
40	58	8	AS	smooth	→ Diagram	72 NBR 902	411826	●
40	62	6	AS	smooth	→ Diagram	72 NBR 902	3018	●
40	62	6	AS	smooth	→ Diagram	75 FKM 595	528295	●
40	62	6	AS	smooth	→ Diagram	72 NBR 902	49001831	○
40	67	7	AS	smooth	→ Diagram	75 FKM 595	526418	○
42	62	7	AS	smooth	→ Diagram	75 FKM 585	348515	●
42	62	7	AS	smooth	→ Diagram	72 NBR 902	383616	●
45	58	7	AS	smooth	→ Diagram	72 NBR 902	366368	●
45	62	7	AS	smooth	→ Diagram	72 NBR 902	348882	●
45	62	7	AS	smooth	→ Diagram	75 FKM 595	418708	●
45	65	7	AS	smooth	→ Diagram	75 FKM 595	125117	●
45	65	7	AS	smooth	→ Diagram	72 NBR 902	526240	●
45	65	7	AS	smooth	→ Diagram	75 FKM 595	49035662	●
45	65	8	AS	smooth	→ Diagram	72 NBR 902	12011524	●
47	62	7	AS	smooth	→ Diagram	72 NBR 902	379252	●
50	65	7	AS	smooth	→ Diagram	75 FKM 595	340127	●
50	65	7	AS	smooth	→ Diagram	72 NBR 902	49009273	●
50	65	8	AS	smooth	→ Diagram	72 NBR 902	12001704	●
50	68	7	AS	smooth	→ Diagram	72 NBR 902	327026	●
50	68	7	AS	smooth	→ Diagram	75 FKM 595	360204	●
50	68	8	AS	smooth	→ Diagram	72 NBR 902	12011526	●
50	70	10	AS	smooth	→ Diagram	72 NBR 902	49023852	●
50	72	7	AS	smooth	→ Diagram	72 NBR 902	3036	●
50	72	7	AS	smooth	→ Diagram	75 FKM 595	418718	●
52	68	10	AS	smooth	→ Diagram	72 NBR 902	341297	●
52	68	10	AS	smooth	→ Diagram	75 FKM 595	49021367	●

● Available from stock ○ On request: Tool is available, delivery at short notice

d ₁	d ₂	b	DIN 3761	Outer surface	Pressure	Material	Article No.	
55	70	7	AS	smooth	→ Diagram	72 NBR 902	457349	●
55	70	8	AS	smooth	→ Diagram	72 NBR 902	12001706	●
55	72	7	AS	smooth	→ Diagram	72 NBR 902	13984	●
55	72	7	AS	smooth	→ Diagram	75 FKM 595	479065	●
55	72	7	AS	smooth	→ Diagram	75 FKM 595	49008285	●
55	72	8	AS	smooth	→ Diagram	72 NBR 902	12011530	●
55	75	7	AS	smooth	→ Diagram	75 FKM 595	418724	●
55	75	7	AS	smooth	→ Diagram	72 NBR 902	423894	●
60	72	7	AS	smooth	→ Diagram	72 NBR 902	377869	●
60	72	7	AS	smooth	→ Diagram	72 NBR 902	49001732	●
60	75	8	AS	smooth	→ Diagram	72 NBR 902	12001708	●
60	75	10	AS	smooth	→ Diagram	75 FKM 595	430573	●
60	80	7	AS	smooth	→ Diagram	72 NBR 902	335195	●
60	80	7	AS	smooth	→ Diagram	75 FKM 595	341551	○
60	80	7	AS	smooth	→ Diagram	75 FKM 595	418727	●
60	80	7	AS	smooth	→ Diagram	75 FKM 595	463704	○
60	80	7	AS	smooth	→ Diagram	75 FKM 595	529503	●
60	85	8	AS	smooth	→ Diagram	72 NBR 902	146437	●
62	85	7	AS	smooth	→ Diagram	72 NBR 902	106214	●
62	85	7	AS	smooth	→ Diagram	75 FKM 595	363452	●
65	80	7	AS	smooth	→ Diagram	72 NBR 902	12001711	●
65	85	10	AS	smooth	→ Diagram	75 FKM 595	49017957	○
65	90	7	AS	smooth	→ Diagram	72 NBR 902	146271	●
65	90	7	AS	smooth	→ Diagram	75 FKM 595	418822	●
68	80	7	AS	smooth	→ Diagram	72 NBR 902	323546	○
68	90	10	AS	smooth	→ Diagram	72 NBR 902	12011532	●
70	88	6,5	AS	smooth	→ Diagram	72 NBR 902	355823	○
70	90	7	AS	smooth	→ Diagram	72 NBR 902	3059	●
70	90	7	AS	smooth	→ Diagram	75 FKM 595	49008932	●
75	90	10	AS	smooth	→ Diagram	72 NBR 902	12001716	●
75	95	7	AS	smooth	→ Diagram	72 NBR 902	122853	●
75	95	7	AS	smooth	→ Diagram	75 FKM 595	354069	●
75	95	10	AS	smooth	→ Diagram	75 FKM 595	372629	●
75	100	11	AS	smooth	→ Diagram	72 NBR 902	477396	●
75	100	11	AS	smooth	→ Diagram	75 FKM 595	523594	●
80	100	7	AS	smooth	→ Diagram	75 FKM 595	390171	●
80	100	7	AS	smooth	→ Diagram	72 NBR 902	49001653	●
80	105	7,5	AS	smooth	→ Diagram	75 FKM 595	418858	●
80	110	10	AS	smooth	→ Diagram	72 NBR 902	49043290	●
80	125	12	AS	smooth	→ Diagram	72 NBR 902	49043291	●
85	105	7,5	AS	smooth	→ Diagram	72 NBR 902	63228	●
85	110	8	AS	smooth	→ Diagram	72 NBR 902	523616	●
85	110	8	AS	smooth	→ Diagram	75 FKM 595	529504	●
85	120	8	AS	smooth	→ Diagram	72 NBR 902	143355	●
85	120	8	AS	smooth	→ Diagram	75 FKM 595	418860	●
90	110	7,5	AS	smooth	→ Diagram	72 NBR 902	307006	●
90	110	7,5	AS	smooth	→ Diagram	75 FKM 595	360218	●
90	110	7,5	AS	smooth	→ Diagram	72 NBR 902	49035762	●
90	110	12	AS	smooth	→ Diagram	72 NBR 902	12011534	●
90	115	10	AS	smooth	→ Diagram	75 FKM 595	418863	●

● Available from stock ○ On request: Tool is available, delivery at short notice



d_1	d_2	b	DIN 3761	Outer surface	Pressure	Material	Article No.	
90	120	10	AS	smooth	→ Diagram	72 NBR 902	455768	●
90	125	12	AS	smooth	→ Diagram	72 NBR 902	12001720	○
95	120	12	AS	smooth	→ Diagram	72 NBR 902	2315	●
95	120	12	AS	smooth	→ Diagram	75 FKM 595	378129	●
95	120	12	AS	smooth	→ Diagram	72 NBR 902	477399	○
100	120	7,5	AS	smooth	→ Diagram	72 NBR 902	63432	●
100	120	7,5	AS	smooth	→ Diagram	75 FKM 595	315389	●
100	125	13	AS	smooth	→ Diagram	72 NBR 902	420803	●
105	130	7,5	AS	smooth	→ Diagram	72 NBR 902	27134	●
105	130	7,5	AS	smooth	→ Diagram	75 FKM 595	377412	●
105	130	7,5	AS	smooth	→ Diagram	75 FKM 595	471702	○
105	130	7,5	AS	smooth	→ Diagram	72 NBR 902	49031450	●
110	125	7	AS	smooth	→ Diagram	75 FKM 595	473522	●
110	130	12	AS	smooth	→ Diagram	75 FKM 595	529507	●
110	130	12	AS	smooth	→ Diagram	72 NBR 902	12011535	●
110	140	12	AS	smooth	→ Diagram	75 FKM 595	49005104	○
110	140	13	AS	smooth	→ Diagram	72 NBR 902	420804	●
110	150	8	AS	smooth	→ Diagram	72 NBR 902	929	●
120	140	7,5	AS	smooth	→ Diagram	72 NBR 902	85746	●
120	140	7,5	AS	smooth	→ Diagram	75 FKM 595	360177	●
120	140	10	AS	smooth	→ Diagram	72 NBR 902	82439	●
120	150	10	AS	smooth	→ Diagram	75 FKM 595	324576	●
120	150	10	AS	smooth	→ Diagram	72 NBR 902	427822	●
120	150	10	AS	smooth	→ Diagram	75 FKM 595	523775	○
120	150	12	AS	smooth	→ Diagram	72 NBR 902	12011536	●
125	150	12	AS	smooth	→ Diagram	75 FKM 585	455694	○
130	150	7,5	AS	smooth	→ Diagram	72 NBR 902	369321	●
130	160	7,5	AS	smooth	→ Diagram	75 FKM 595	529820	●
130	160	12	AS	smooth	→ Diagram	75 FKM 595	529506	●
130	160	12	AS	smooth	→ Diagram	72 NBR 902	12011537	●
140	160	10	AS	smooth	→ Diagram	72 NBR 902	329169	●
140	160	10	AS	smooth	→ Diagram	75 FKM 595	476112	○
140	170	15	AS	smooth	→ Diagram	72 NBR 902	142668	●
140	170	15	AS	smooth	→ Diagram	75 FKM 595	372626	●
140	170	15	AS	smooth	→ Diagram	72 NBR 902	12011538	●
140	180	12	AS	smooth	→ Diagram	75 FKM 595	476731	●

● Available from stock ○ On request: Tool is available, delivery at short notice

d ₁	d ₂	b	DIN 3761	Outer surface	Pressure	Material	Article No.	
140	180	12	AS	smooth	→ Diagram	72 NBR 902	520212	●
146	193,7	10	AS	smooth	→ Diagram	72 NBR 902	454312	○
150	180	8,5	AS	smooth	→ Diagram	72 NBR 902	146597	●
150	180	8,5	AS	smooth	→ Diagram	75 FKM 585	366770	●
150	180	8,5	AS	smooth	→ Diagram	72 NBR 902	49031083	●
160	185	8,5	AS	smooth	→ Diagram	72 NBR 902	3790	●
160	190	8,5	AS	smooth	→ Diagram	75 FKM 595	464827	○
160	200	10	AS	smooth	→ Diagram	72 NBR 902	523618	●
160	200	10	AS	smooth	→ Diagram	75 FKM 595	523619	●
170	200	12	AS	smooth	→ Diagram	75 FKM 595	476560	○
170	200	12	AS	smooth	→ Diagram	72 NBR 902	520211	●
170	200	14	AS	smooth	→ Diagram	72 NBR 902	146585	●
170	200	14	AS	smooth	→ Diagram	75 FKM 595	397048	●
172	190	8,5	AS	smooth	→ Diagram	75 FKM 595	469004	●
180	210	8,5	AS	smooth	→ Diagram	72 NBR 902	367484	●
180	210	8,5	AS	smooth	→ Diagram	75 FKM 595	520626	●
185	205	11	AS	smooth	→ Diagram	75 FKM 595	531100	●
185	205	11	AS	smooth	→ Diagram	72 NBR 902	531108	●
190	220	15	AS	smooth	→ Diagram	75 FKM 595	363446	●
190	220	15	AS	smooth	→ Diagram	72 NBR 902	427821	●
200	230	13	AS	smooth	→ Diagram	72 NBR 902	360342	●
200	230	13	AS	smooth	→ Diagram	75 FKM 595	529444	●
240	270	8,5	AS	smooth	→ Diagram	72 NBR 902	412661	●
240	270	8,5	AS	smooth	→ Diagram	75 FKM 595	430275	●
260	280	10	AS	smooth	→ Diagram	72 NBR 902	407571	●
260	280	10	AS	smooth	→ Diagram	75 FKM 595	520246	●
300	340	20	AS	smooth	→ Diagram	72 NBR 902	421276	●

● Available from stock ○ On request: Tool is available, delivery at short notice

Simmerring BADUO

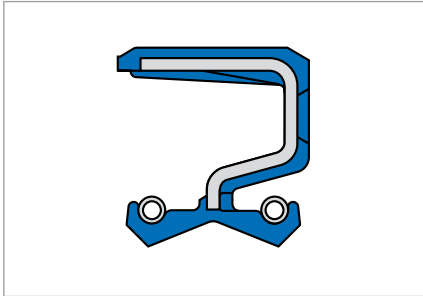


Fig. 1 Simmerring BADUO NBR

Product description

- Outer casing: elastomer
- Two spring-loaded sealing lips.

Product advantages

- Sealing for the separation of two media
- Small housing
- Two spring-loaded sealing lips (one spring-loaded dust lip against moderate to medium dust and dirt ingress)
- Reliable sealing of the housing bore, even with increased roughness of the bore, thermal expansion and split housings.

Application

- Machine tools
- Power take-off gears in agricultural and construction machinery transmissions and axles.

Material

Acrylonitrile-butadiene rubber

Code	72 NBR 902
Hardness	72 Shore A
metal insert	Unalloyed steel DIN EN 10027-1*
Spring	Spring steel DIN EN 10270-1*

* Individual dimensions have two metal inserts or one metal insert in the matched form. 75 FKM 585 and 75 FKM 595 on enquiry.

Operating conditions

Media	Mineral oils, synthetic oils*, greases
T	-40 ... +100 °C short term up to... +120 °C
v	to 5 m/s
p	to 0,05 MPa/0,5 bar

* With synthetic oils (polyalkylene glycols/polyalphaolefins, → Technical Manual synthetic lubricants) it is to be noted that the maximum operating temperature of 80 °C must not be exceeded.

Max. permissible values depend on the other operating conditions.

Fitting & installation

Shaft

Tolerance	ISO h 11
Runout	IT 8
Roughness	R _a = 0,2 ... 0,8 µm
	R _z = 1,0 ... 5,0 µm
	R _{max} = <6,3 µm
Hardness	45 ... 60 HRC
Finish	No lead; preferably plunge ground

Housing bore

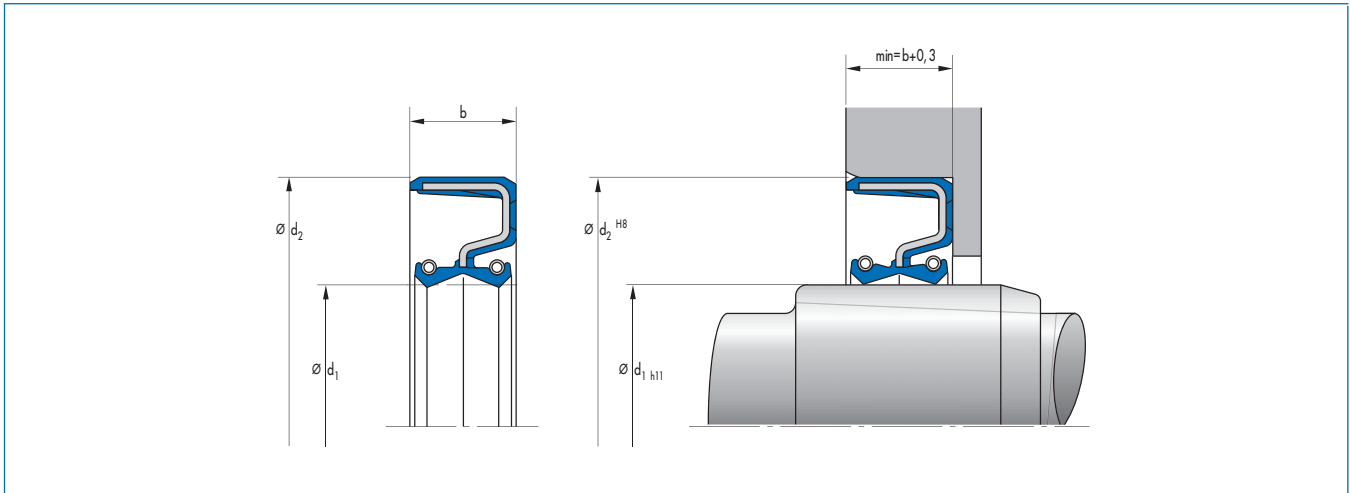
Tolerance	ISO H8
Roughness	R _z = 10 ... 25 µm

Careful fitting according to DIN 3760 is a prerequisite for the correct function of the seal → Technical Manual.

Range of dimensions for shafts-Ø d₁

Simmerring BADUO	25 ... 150 mm
------------------	---------------

Article list



d_1	d_2	b	DIN 3761	Outer surface	Pressure	Material	Article No.	
20	40	14	A	smooth	0,05	72 NBR 902	7147	○
25	35	7	A	smooth	0,05	72 NBR 902	3473	○
25	45	14	A	smooth	0,05	72 NBR 902	7453	○
30	45	8,5	A	smooth	0,05	72 NBR 902	3475	○
30	62	14	A	smooth	0,05	72 NBR 902	7786	○
35	62	14	A	smooth	0,05	72 NBR 902	8058	○
35	62	14	A	smooth	0,05	75 FKM 595	338716	○
40	65	20	A	smooth	0,05	72 NBR 902	8300	○
45	62	14	A	smooth	0,05	72 NBR 902	32896	○
55	75	15	A	smooth	0,05	72 NBR 902	8817	○
75	90	15	A	smooth	0,05	72 NBR 902	9162	○
110	150	18	A	smooth	0,05	72 NBR 902	9389	○
118	140	16	A	smooth	0,05	72 NBR 902	9406	○
120	150	16	A	smooth	0,05	72 NBR 902	370744	○
540	585	30	A	smooth	0,05	72 NBR 902	319550	○

● Available from stock ○ On request: Tool is available, delivery at short notice

Simmerring BAHD

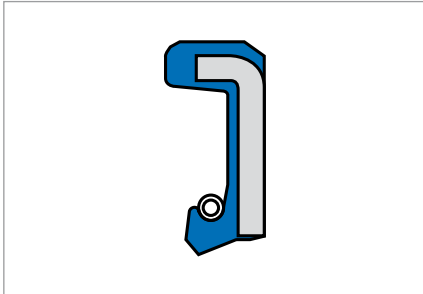


Fig. 1 Simmerring BAHD

Material

Code	90 NBR 129208 88 FKM 107725
-------------	--------------------------------

Operating conditions

T	-40 ... +100 °C (NBR) -25 ... +160 °C (FKM)
v_{U max}	2 m/s
P_{max}	0,15 MPa/150 bar

Max. permissible values depend on the other operating conditions.

Product description

High pressure seal.
Type BA with short, very stable sealing lip for high pressures, oil groove on the air side of the sealing lip.

Product advantages

- For use against high pressures
- Extremely stable sealing lip
- Low wear
- Long service life.

Application

All hydrostatic drives with low rotational speed.

Simmerring BAOF

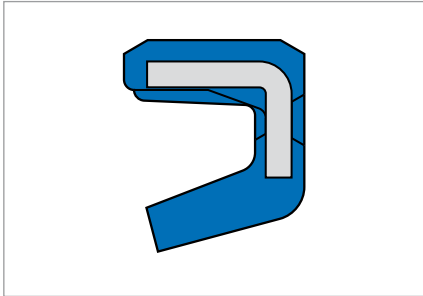


Fig. 1 Simmerring BAOF NBR

Product description

- Outer casing: elastomer
- Sealing lip without spring.

Product advantages

- Simple sealing component for secondary applications
- As a seal against grease
- As additional seal against moderate to medium dust and dirt ingress.

Application

- Power tools
- Sealing of pivot bearings
- Sealing of control elements.

Material

Acrylonitrile-butadiene rubber

Code	72 NBR 902
Colour	Blue
Hardness	72 Shore A
Metal insert	Unalloyed steel DIN 1624

Operating conditions

Media	Greases
T	-40 ... +100 °C
v	to 6 m/s
p	-

Max. permissible values depend on the other operating conditions.

Fitting & installation

Shaft

Tolerance	ISO h 11
Runout	IT 8
Roughness	$R_a = 0,2 \dots 0,8 \mu\text{m}$
	$R_z = 1,0 \dots 5,0 \mu\text{m}$
	$R_{max} = <6,3 \mu\text{m}$
Hardness	45 ... 60 HRC
Finish	No lead; preferably plunge ground

Housing bore

Tolerance	ISO H8
Roughness	$R_z = 10 \dots 25 \mu\text{m}$

Careful fitting according to DIN 3760 is a prerequisite for the correct function of the seal → Technical Manual.

Range of dimensions for shafts-Ø D₁

Simmerring BAOF	3 ... 230 mm
-----------------	--------------

Article list

d ₁	d ₂	b	DIN 3761	Outer surface	Pressure	Material	Article No.	
3	10	6	A	smooth	un-pressurised	72 NBR 902	6317	●
14	20	5	A	smooth	un-pressurised	72 NBR 902	6681	●
80	90	5	A	smooth	un-pressurised	72 NBR 902	389266	●
80	95	5	A	smooth	un-pressurised	72 NBR 902	349011	●
230	250	8	A	smooth	un-pressurised	72 NBR 902	316204	●

● Available from stock ○ On request: Tool is available, delivery at short notice

Simmerring BAUM.../SL to DIN 3760 A/AS

Simmerring BAUMX7, BAUMSLX7,
BAUM, BAUMSL

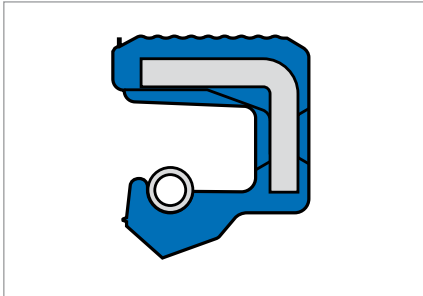


Fig. 1 Simmerring BAUM... FKM

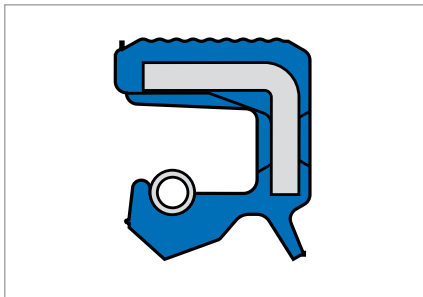


Fig. 2 Simmerring BAUMSL... FKM

Product advantages

- Broad range of possible applications in every sector of industry
- Increased thermal stability and chemical resistance
- Reliable sealing of the housing bore, even with increased roughness of the bore, thermal expansion and split housings, thus a sealing of low viscosity and gaseous media also possible
- Advantages when sealing low viscosity and gaseous media

- Additional dust lip as additional seal against moderate and medium dust and dirt ingress from outside (BAUMSLX7).
(Note: can lead to temperature increase from frictional heat).

Application

- Agricultural and construction machinery transmissions
- Industrial gearboxes
- Axles (when subject to moderate dirt)
- Power tools.

Material

Fluoro elastomer

Code	75 FKM 585
Colour	Dark brown
Hardness	75 Shore A
Metal insert	Unalloyed steel DIN EN 10027-1
Spring	Spring steel DIN EN 10270-1

Product description

- Outer casing: elastomer (smooth, grooved = X7)
- Spring-loaded sealing lip
- Additional dust lip (BAUMSL, BAUMSLX7)
- Friction-optimised sealing lip profile.

Operating conditions

Media	Mineral oils, synthetic oils, aromatic and chlorinated hydro-carbons, fuels, heating oils
T	-25 ... +160 °C
v	<p>Permissible circumferential speed for Simmerrings made from the materials NBR (72 NBR 902) and FKM (75 FKM 585) for the sealing of motor oil SAE 20. Use Simmerring with SL (dust lip): v = max. 8 m/s.</p>
p	up to 0,05 MPa/0,5 bar for >0,05 MPa/0,5 bar, a Simmerring with back-up ring can be used. → Technical Manual.

Max. permissible values depend on the other operating conditions.

Fitting & installation

Shaft

Tolerance	ISO h 11
Runout	IT 8
Roughness	$R_a = 0,2 \dots 0,8 \mu\text{m}$
	$R_z = 1,0 \dots 5,0 \mu\text{m}$
	$R_{max} = <6,3 \mu\text{m}$
Hardness	45 ... 60 HRC
Finish	No lead; preferably plunge ground

Housing bore

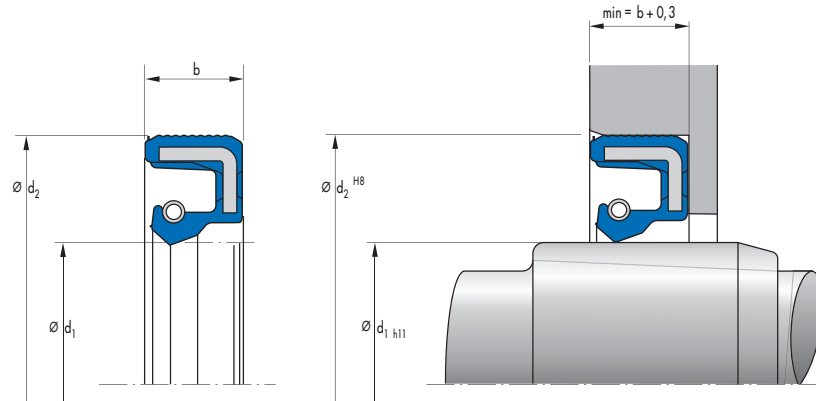
Tolerance	ISO H8
Roughness	$R_z = 10 \dots 25 \mu\text{m}$

Careful fitting according to DIN 3760 is a prerequisite for the correct function of the seal → Technical Manual.

Range of dimensions for shafts-Ø d₁

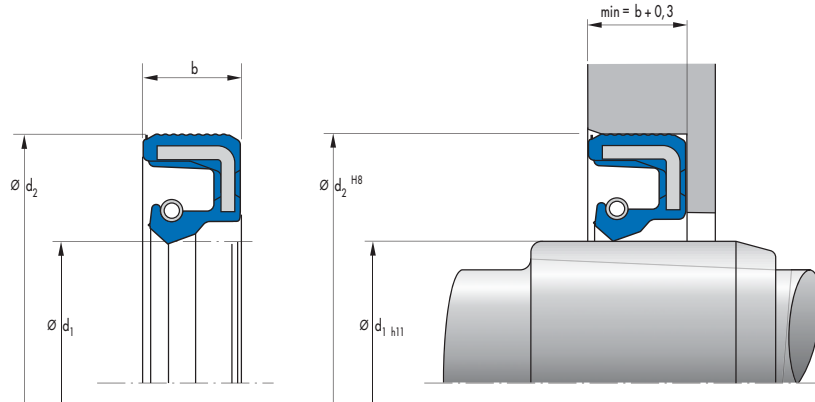
Simmerring BAUM...	6 ... 220 mm
Simmerring BAUMSL...	8 ... 220 mm

Article list



d_1	d_2	b	DIN 3761	Outer surface	Pressure	Material	Type	Article No.	
6	16	6	A	grooved	0,05	75 FKM 585	BAUMX7	406308	●
6	22	7	A	grooved	0,05	75 FKM 585	BAUMX7	400296	●
7	16	7	A	smooth	0,05	75 FKM 595	BAUM	343383	○
7	22	7	A	grooved	0,05	75 FKM 585	BAUMX7	412598	●
8	20	6	AS	grooved	0,05	75 FKM 585	BAUMSLX7	421497	○
8	22	7	A	grooved	0,05	75 FKM 585	BAUMX7	406310	●
8	22	8	AS	grooved	0,05	75 FKM 585	BAUMSLX7	468755	●
8	24	7	A	grooved	0,05	75 FKM 585	BAUMX7	406311	●
9	18	6	A	smooth	0,05	75 FKM 585	BAUM	396104	○
10	19	7	A	grooved	0,05	75 FKM 585	BAUMX7	400287	●
10	22	7	A	grooved	0,05	75 FKM 585	BAUMX7	390099	●
10	24	7	A	grooved	0,05	75 FKM 585	BAUMX7	412571	●
10	26	5	AS	grooved	0,05	75 FKM 585	BAUMSLX27	468756	●
10	26	7	A	grooved	0,05	75 FKM 585	BAUMX7	406315	●
11	22	7	A	grooved	0,05	75 FKM 585	BAUMX7	412600	●
11	26	7	AS	grooved	0,05	75 FKM 585	BAUMSLX7	412558	●
11	26	7	A	grooved	0,05	75 FKM 585	BAUMX7	412566	●
11,8	28	5	AS	grooved	0,05	75 FKM 585	BAUMSLX7	49002913	○
12	20	6	A	grooved	0,05	75 FKM 585	BAUMX7	425209	●
12	20	6	A	grooved	0,05	75 FKM 585	BAUMX7	49036882	●
12	22	5	A	grooved	0,05	75 FKM 585	BAUMX27	49010681	●
12	22	7	A	grooved	0,05	75 FKM 585	BAUMX7	400278	●
12	22	7	AS	grooved	0,05	75 FKM 585	BAUMSLX7	468757	●
12	24	6	A	grooved	0,05	75 FKM 585	BAUMX7	429608	●
12	24	7	A	grooved	0,05	75 FKM 585	BAUMX7	406316	●
12	25	5	A	smooth	0,05	75 FKM 585	BAUM	378263	●
12	28	7	AS	grooved	0,05	75 FKM 585	BAUMSLX7	412560	●
12	28	7	AS	grooved	0,05	75 FKM 585	BAUMSLX7	476909	○
12	28	7	AS	grooved	0,05	75 FKM 585	BAUMSLX7	522775	○
12	30	7	A	grooved	0,05	75 FKM 585	BAUMX7	412668	●
12	32	7	A	grooved	0,05	75 FKM 585	BAUMX7	525462	●
13	26	7	A	grooved	0,05	75 FKM 585	BAUMX7	521531	●
13,7	24	7	AS	smooth	0,05	75 FKM 585	BAUMSL	521313	○
14	22	4	A	smooth	0,05	75 FKM 585	BAUM	378313	○
14	23	7	A	smooth	0,05	75 FKM 585	BAUM	378357	○

● Available from stock ○ On request: Tool is available, delivery at short notice

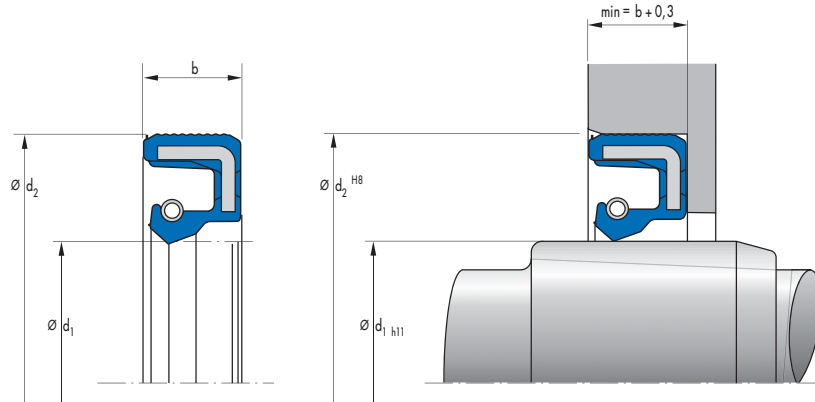


d_1	d_2	b	DIN 3761	Outer surface	Pressure	Material	Type	Article No.	
14	24	7	A	grooved	0,05	75 FKM 585	BAUMX7	406317	●
14	24	7	AS	grooved	0,05	75 FKM 585	BAUMSLX7	468758	●
14	28	7	AS	grooved	0,05	75 FKM 585	BAUMSLX7	405402	●
14	30	7	A	grooved	0,05	75 FKM 585	BAUMX7	412665	●
15	24	7	A	grooved	0,05	75 FKM 585	BAUMX7	386187	●
15	24	7	A	grooved	0,05	75 FKM 585	BAUMX7	419704	○
15	25	5	A	smooth	0,05	75 FKM 585	BAUM	49012993	●
15	26	7	A	grooved	0,05	75 FKM 585	BAUMX7	407042	●
15	26	7	AS	grooved	0,05	75 FKM 585	BAUMSLX7	471673	●
15	28	7	A	grooved	0,05	75 FKM 585	BAUMX7	400666	●
15	30	7	A	grooved	0,05	75 FKM 585	BAUMX7	388063	●
15	30	7	A	grooved	0,05	75 FKM 585	BAUMX7	528159	○
15	30	10	A	grooved	0,05	75 FKM 585	BAUMX7	389461	●
15	32	7	A	grooved	0,05	75 FKM 585	BAUMX7	411516	●
15	35	7	A	grooved	0,05	75 FKM 585	BAUMX7	411517	●
15	35	7	AS	smooth	0,05	75 FKM 585	BAUMSL	466955	○
15	40	7	A	smooth	0,05	75 FKM 585	BAUM	522177	●
15	42	7	A	grooved	0,05	75 FKM 585	BAUMX7	49001673	●
15	42	10	A	smooth	0,05	75 FKM 585	BAUM	49015432	●
16	28	7	A	grooved	0,05	75 FKM 585	BAUMX7	389802	●
16	28	7	AS	smooth	0,05	75 FKM 585	BAUMSL	411947	○
16	30	7	A	grooved	0,05	75 FKM 585	BAUMX7	386013	●
16	30	10	AS	grooved	0,05	75 FKM 585	BAUMSLX7	468759	●
16	32	7	AS	grooved	0,05	75 FKM 585	BAUMSLX7	405810	●
16	35	7	AS	grooved	0,05	75 FKM 585	BAUMSLX7	404317	●
17	25	4,5	A	smooth	0,05	75 FKM 585	BAUM	49016724	●
17	28	7	A	grooved	0,05	75 FKM 585	BAUMX7	398038	●
17	28	7	AS	grooved	0,05	75 FKM 585	BAUMSLX7	520222	●
17	30	7	A	grooved	0,05	75 FKM 585	BAUMX7	399045	●
17	32	7	AS	grooved	0,05	75 FKM 585	BAUMSLX7	405409	●
17	32	7	A	grooved	0,05	75 FKM 585	BAUMX7	407043	●
17	35	7	AS	grooved	0,05	75 FKM 585	BAUMSLX7	405803	●
17	40	7	A	grooved	0,05	75 FKM 585	BAUMX7	400677	●
17	40	7	AS	grooved	0,05	75 FKM 585	BAUMSLX7	524290	●
17	47	7	A	grooved	0,05	75 FKM 585	BAUMX7	524508	●
18	28	7	A	grooved	0,05	75 FKM 585	BAUMX7	411518	●

● Available from stock ○ On request: Tool is available, delivery at short notice

d ₁	d ₂	b	DIN 3761	Outer surface	Pressure	Material	Type	Article No.	
18	28	7	A	grooved	0,05	75 FKM 585	BAUMX7	49002248	○
18	30	7	A	grooved	0,05	75 FKM 585	BAUMX7	399819	●
18	32	7	A	grooved	0,05	75 FKM 585	BAUMX7	403077	●
18	35	7	A	grooved	0,05	75 FKM 585	BAUMX7	399825	●
18	35	7	AS	grooved	0,05	75 FKM 585	BAUMSLX27	405796	●
18	35	7	AS	grooved	0,05	75 FKM 585	BAUMSLX7	533071	●
20	30	5	AS	grooved	0,05	75 FKM 585	BAUMSLX27	521225	●
20	30	5	A	grooved	0,05	75 FKM 585	BAUMX27	49024463	●
20	30	7	A	grooved	0,05	75 FKM 585	BAUMX7	399790	●
20	32	7	A	grooved	0,05	75 FKM 585	BAUMX7	399787	●
20	32	7	AS	grooved	0,05	75 FKM 585	BAUMSLX7	466633	●
20	35	7	A	grooved	0,05	75 FKM 585	BAUMX7	388022	●
20	35	7	A	grooved	0,05	75 FKM 585	BAUMX7	439221	○
20	35	7	AS	grooved	0,05	75 FKM 585	BAUMSLX7	521004	●
20	36	7	A	grooved	0,05	75 FKM 585	BAUMX7	478616	●
20	37	6	A	grooved	0,05	75 FKM 585	BAUMX7	524289	●
20	37	6	AS	grooved	0,05	75 FKM 585	BAUMSLX7	524329	●
20	40	7	A	grooved	0,05	75 FKM 585	BAUMX7	397819	●
20	42	6	AS	smooth	0,05	75 FKM 585	BAUMSL	527066	●
20	42	7	A	grooved	0,05	75 FKM 585	BAUMX7	403079	●
20	42	7	AS	grooved	0,05	75 FKM 585	BAUMSLX7	405792	●
20	47	7	A	grooved	0,05	75 FKM 585	BAUMX7	399832	●
20	47	7	AS	grooved	0,05	75 FKM 585	BAUMSLX7	524288	●
20	52	6	AS	smooth	0,05	75 FKM 585	BAUMSL	531003	●
20	52	10	A	grooved	0,05	75 FKM 585	BAUMX7	402488	●
22	32	7	A	grooved	0,05	75 FKM 585	BAUMX7	402894	●
22	35	5	AS	grooved	0,05	75 FKM 585	BAUMSLX27	520867	●
22	35	7	A	grooved	0,05	75 FKM 585	BAUMX7	388023	●
22	35	7	AS	grooved	0,05	75 FKM 585	BAUMSLX7	520223	●
22	40	7	A	grooved	0,05	75 FKM 585	BAUMX7	410775	●
22	40	7	AS	grooved	0,05	75 FKM 585	BAUMSLX7	520028	●
22	40	7	A	grooved	0,05	75 FKM 585	BAUMX7	528161	○
22	47	7	AS	grooved	0,05	75 FKM 585	BAUMSLX7	405788	●
22	47	7	A	grooved	0,05	75 FKM 585	BAUMX7	523972	●
22	52	10	AS	grooved	0,05	75 FKM 585	BAUMSLX7	523044	●
24	35	7	A	grooved	0,05	75 FKM 585	BAUMX7	394587	●
24	37	7	A	grooved	0,05	75 FKM 585	BAUMX7	397820	●
24	40	7	AS	grooved	0,05	75 FKM 585	BAUMSLX7	404319	●
25	35	7	A	grooved	0,05	75 FKM 585	BAUMX7	397821	●
25	35	7	AS	grooved	0,05	75 FKM 585	BAUMSLX7	49027215	●
25	37	7	A	smooth	0,05	75 FKM 585	BAUM	49033008	●
25	38	7	A	grooved	0,05	75 FKM 585	BAUMX7	410776	●
25	38	7	AS	grooved	0,05	75 FKM 585	BAUMSLX7	529448	●
25	40	5	A	smooth	0,05	75 FKM 595	BAUM	342330	○
25	40	5	A	grooved	0,05	75 FKM 585	BAUMX27	526412	●
25	40	7	A	grooved	0,05	75 FKM 585	BAUMX7	400258	●
25	40	7	AS	grooved	0,05	75 FKM 585	BAUMSLX7	410111	●
25	40	8	AS	smooth	0,05	75 FKM 585	BAUMSL	423186	○
25	42	6	AS	smooth	0,05	75 FKM 585	BAUMSL	522919	●
25	42	6	A	smooth	0,05	75 FKM 585	BAUM	49036524	○

● Available from stock ○ On request: Tool is available, delivery at short notice

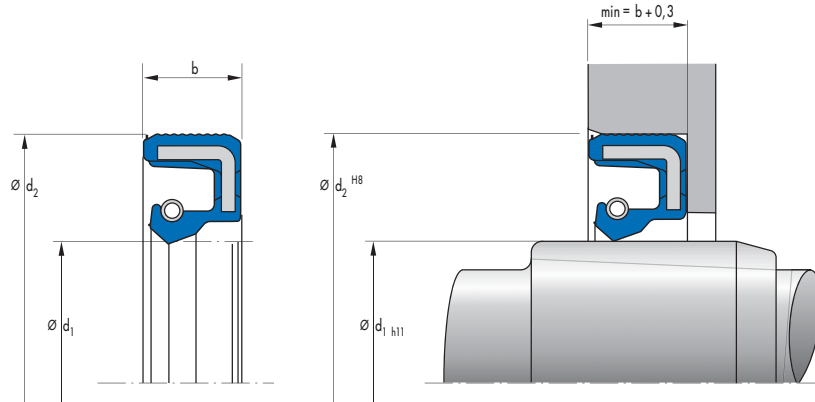


d_1	d_2	b	DIN 3761	Outer surface	Pressure	Material	Type	Article No.	
25	42	7	A	grooved	0,05	75 FKM 585	BAUMX7	390889	●
25	42	7	A	grooved	0,05	75 FKM 585	BAUMX7	439222	○
25	42	7	A	grooved	0,05	75 FKM 585	BAUMX7	522783	○
25	45	7	A	grooved	0,05	75 FKM 585	BAUMX7	410777	●
25	47	7	A	grooved	0,05	75 FKM 585	BAUMX7	388045	●
25	47	7	AS	grooved	0,05	75 FKM 585	BAUMSLX7	436712	●
25	47	10	AS	smooth	0,05	75 FKM 585	BAUMSL	527065	●
25	50	7	AS	grooved	0,05	75 FKM 585	BAUMSLX7	410112	●
25	52	7	A	grooved	0,05	75 FKM 585	BAUMX7	400698	●
25	52	7	AS	grooved	0,05	75 FKM 585	BAUMSLX7	524117	●
25	62	7	A	grooved	0,05	75 FKM 585	BAUMX7	422899	●
26	37	7	AS	grooved	0,05	75 FKM 585	BAUMSLX7	407128	●
26	42	7	A	grooved	0,05	75 FKM 585	BAUMX7	402895	●
26	47	7	A	grooved	0,05	75 FKM 585	BAUMX7	388813	●
28	38	7	AS	grooved	0,05	75 FKM 585	BAUMSLX7	410113	●
28	38	7	A	grooved	0,05	75 FKM 585	BAUMX7	523862	●
28	40	7	A	grooved	0,05	75 FKM 585	BAUMX7	400715	●
28	40	7	AS	smooth	0,05	75 FKM 595	BAUMSL	410719	○
28	45	8	AS	grooved	0,05	75 FKM 585	BAUMSLX7	474113	●
28	47	7	A	grooved	0,05	75 FKM 585	BAUMX7	390252	●
28	47	7	AS	grooved	0,05	75 FKM 585	BAUMSLX7	521005	●
28	52	7	A	grooved	0,05	75 FKM 585	BAUMX7	400263	●
28	52	7	AS	smooth	0,05	75 FKM 585	BAUMSL	49011964	●
30	40	7	A	grooved	0,05	75 FKM 585	BAUMX7	400273	●
30	40	7	AS	grooved	0,05	75 FKM 585	BAUMSLX7	479046	●
30	42	7	A	grooved	0,05	75 FKM 585	BAUMX7	400271	●
30	42	7	AS	grooved	0,05	75 FKM 585	BAUMSLX7	479045	●
30	45	7	AS	grooved	0,05	75 FKM 585	BAUMSLX7	410115	●
30	47	7	A	grooved	0,05	75 FKM 585	BAUMX7	386014	●
30	47	7	AS	grooved	0,05	75 FKM 585	BAUMSLX7	404326	●
30	47	7	A	smooth	0,05	75 FKM 595	BAUM	434416	○
30	48	7	A	grooved	0,05	75 FKM 585	BAUMX7	478615	●
30	48	8	AS	grooved	0,05	75 FKM 585	BAUMSLX7	476383	●
30	50	7	A	grooved	0,05	75 FKM 585	BAUMX7	400726	●
30	52	6	AS	smooth	0,05	75 FKM 585	BAUMSL	522920	●
30	52	7	A	grooved	0,05	75 FKM 585	BAUMX7	400453	●

● Available from stock ○ On request: Tool is available, delivery at short notice

d ₁	d ₂	b	DIN 3761	Outer surface	Pressure	Material	Type	Article No.	
30	52	7	AS	grooved	0,05	75 FKM 585	BAUMSLX7	410116	●
30	55	7	AS	grooved	0,05	75 FKM 585	BAUMSLX7	477661	●
30	62	7	A	grooved	0,05	75 FKM 585	BAUMX7	400456	●
30	62	7	AS	grooved	0,05	75 FKM 585	BAUMSLX7	531232	●
30	72	10	A	grooved	0,05	75 FKM 585	BAUMX7	432764	●
32	42	7	A	grooved	0,05	75 FKM 585	BAUMX7	402911	●
32	42	7	AS	grooved	0,05	75 FKM 585	BAUMSLX7	450967	●
32	45	7	A	smooth	0,05	75 FKM 595	BAUM	520083	○
32	47	7	A	grooved	0,05	75 FKM 585	BAUMX7	400458	●
32	47	7	AS	grooved	0,05	75 FKM 585	BAUMSLX7	407132	●
32	50	7	A	grooved	0,05	75 FKM 585	BAUMX7	410778	●
32	50	10	AS	grooved	0,05	75 FKM 585	BAUMSLX7	523389	●
32	52	7	A	grooved	0,05	75 FKM 585	BAUMX7	400754	●
32	52	7	AS	grooved	0,05	75 FKM 585	BAUMSLX7	521226	●
32	62	10	AS	smooth	0,05	75 FKM 585	BAUMSL	49011963	●
35	45	7	A	grooved	0,05	75 FKM 585	BAUMX7	402913	●
35	47	4,5	A	smooth	0,05	75 FKM 585	BAUM	521388	●
35	47	7	A	smooth	0,05	75 FKM 595	BAUM	121904	○
35	47	7	AS	smooth	0,05	75 FKM 585	BAUMSL	305066	○
35	47	7	A	grooved	0,05	75 FKM 585	BAUMX7	388048	●
35	47	7	AS	grooved	0,05	75 FKM 585	BAUMSLX7	478651	●
35	48	7	AS	grooved	0,05	75 FKM 585	BAUMSLX7	410779	●
35	50	7	A	grooved	0,05	75 FKM 585	BAUMX7	400759	●
35	50	7	AS	grooved	0,05	75 FKM 585	BAUMSLX7	429489	●
35	52	7	A	grooved	0,05	75 FKM 585	BAUMX7	403081	●
35	52	7	AS	grooved	0,05	75 FKM 585	BAUMSLX7	521006	●
35	55	7	AS	grooved	0,05	75 FKM 585	BAUMSLX7	410780	●
35	55	7	A	grooved	0,05	75 FKM 585	BAUMX7	526017	●
35	55	7,5	A	smooth	0,05	75 FKM 585	BAUM	49036525	○
35	62	7	A	grooved	0,05	75 FKM 585	BAUMX7	400459	●
35	62	7	AS	grooved	0,05	75 FKM 585	BAUMSLX7	477670	●
35	62	8	AS	smooth	0,05	75 FKM 585	BAUMSL	477146	●
35	72	7	A	grooved	0,05	75 FKM 585	BAUMX7	400466	●
35	72	7	AS	smooth	0,05	75 FKM 585	BAUMSL	49012066	●
35	80	13	A	smooth	0,05	75 FKM 585	BAUM	49012064	●
36	47	7	A	grooved	0,05	75 FKM 585	BAUMX7	403084	●
36	50	7	AS	grooved	0,05	75 FKM 585	BAUMSLX7	410183	●
36	52	7	A	grooved	0,05	75 FKM 585	BAUMX7	410781	●
38	50	7	A	grooved	0,05	75 FKM 585	BAUMX7	410782	●
38	52	7	A	grooved	0,05	75 FKM 585	BAUMX7	402914	●
38	52	7	AS	grooved	0,05	75 FKM 585	BAUMSLX7	410184	●
38	55	7	A	grooved	0,05	75 FKM 585	BAUMX7	388816	●
38	55	10	AS	grooved	0,05	75 FKM 585	BAUMSLX7	476382	●
38	56	10	AS	grooved	0,05	75 FKM 585	BAUMSLX7	49042633	●
38	60	7	A	grooved	0,05	75 FKM 585	BAUMX7	410783	●
38	62	7	A	grooved	0,05	75 FKM 585	BAUMX7	400528	●
38	62	7	AS	grooved	0,05	75 FKM 585	BAUMSLX7	407134	●
40	52	7	A	smooth	0,05	75 FKM 595	BAUM	30678	○
40	52	7	A	smooth	0,05	75 FKM 595	BAUM	310039	○
40	52	7	A	grooved	0,05	75 FKM 585	BAUMX7	388077	●

● Available from stock ○ On request: Tool is available, delivery at short notice

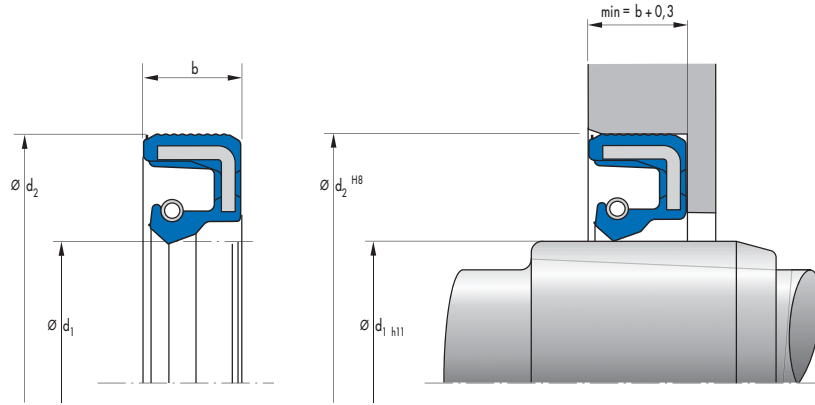


d_1	d_2	b	DIN 3761	Outer surface	Pressure	Material	Type	Article No.	
40	52	7	AS	grooved	0,05	75 FKM 585	BAUMSLX7	521007	●
40	55	7	A	grooved	0,05	75 FKM 585	BAUMX7	388060	●
40	55	7	AS	grooved	0,05	75 FKM 585	BAUMSLX7	407135	●
40	55	7	A	grooved	0,05	75 FKM 585	BAUMX7	528162	○
40	58	9	AS	grooved	0,05	75 FKM 585	BAUMSLX7	418363	●
40	60	10	A	grooved	0,05	75 FKM 585	BAUMX7	402487	●
40	60	12	A	smooth	0,05	75 FKM 595	BAUM	129960	○
40	62	7	A	grooved	0,05	75 FKM 585	BAUMX7	388076	●
40	62	7	AS	grooved	0,05	75 FKM 585	BAUMSLX7	410185	●
40	68	6	AS	smooth	0,05	75 FKM 585	BAUMSL	529095	●
40	68	8	AS	grooved	0,05	75 FKM 585	BAUMSLX7	477665	●
40	68	8	A	grooved	0,05	75 FKM 585	BAUMX7	49012132	●
40	72	7	A	grooved	0,05	75 FKM 585	BAUMX7	400807	●
40	72	10	AS	smooth	0,05	75 FKM 585	BAUMSL	477147	●
40	80	7	AS	smooth	0,05	75 FKM 585	BAUMSL	49011968	●
40	80	10	AS	smooth	0,05	75 FKM 585	BAUMSL	455618	●
40	85	10	A	grooved	0,05	75 FKM 585	BAUMX7	474893	●
40	90	10	AS	smooth	0,05	75 FKM 585	BAUMSL	520956	●
42	55	8	AS	grooved	0,05	75 FKM 585	BAUMSLX7	404322	●
42	62	8	A	grooved	0,05	75 FKM 585	BAUMX7	388822	●
42	62	8	AS	grooved	0,05	75 FKM 585	BAUMSLX7	524291	●
42	65	10	A	grooved	0,05	75 FKM 585	BAUMX7	389459	●
42	68	8	A	grooved	0,05	75 FKM 585	BAUMX7	407044	●
42	72	8	A	grooved	0,05	75 FKM 585	BAUMX7	411519	●
42	72	8	AS	grooved	0,05	75 FKM 585	BAUMSLX7	477669	●
44	65	8	A	grooved	0,05	75 FKM 585	BAUMX7	411520	●
45	60	7	A	smooth	0,05	75 FKM 595	BAUM	121905	○
45	60	8	A	grooved	0,05	75 FKM 585	BAUMX7	397330	●
45	60	8	AS	grooved	0,05	75 FKM 585	BAUMSLX7	407136	●
45	62	7	A	grooved	0,05	75 FKM 585	BAUMX7	522386	●
45	62	8	A	grooved	0,05	75 FKM 585	BAUMX7	388081	●
45	65	8	A	grooved	0,05	75 FKM 585	BAUMX7	398036	●
45	65	10	AS	grooved	0,05	75 FKM 585	BAUMSLX7	405454	●
45	68	10	A	grooved	0,05	75 FKM 585	BAUMX7	472400	●
45	72	8	A	grooved	0,05	75 FKM 585	BAUMX7	388865	●
45	72	8	AS	grooved	0,05	75 FKM 585	BAUMSLX7	431911	●

● Available from stock ○ On request: Tool is available, delivery at short notice

d ₁	d ₂	b	DIN 3761	Outer surface	Pressure	Material	Type	Article No.	
45	72	8	A	smooth	0,05	75 FKM 585	BAUM	49036527	○
45	75	7	AS	smooth	0,05	75 FKM 585	BAUMSL	49011967	●
45	75	7	A	smooth	0,05	75 FKM 585	BAUM	49012131	●
45	75	8	AS	grooved	0,05	75 FKM 585	BAUMSLX7	411214	●
45	75	8	AS	smooth	0,05	75 FKM 585	BAUMSL	49008402	○
45	80	10	AS	grooved	0,05	75 FKM 585	BAUMSLX7	477668	●
45	85	10	AS	smooth	0,05	75 FKM 585	BAUMSL	470430	●
47	65	10	AS	smooth	0,05	75 FKM 585	BAUMSL	478469	●
47	90	10	AS	smooth	0,05	75 FKM 585	BAUMSL	478473	●
48	62	8	A	grooved	0,05	75 FKM 585	BAUMX7	400946	●
48	62	8	AS	grooved	0,05	75 FKM 585	BAUMSLX7	530500	●
48	65	8	AS	grooved	0,05	75 FKM 585	BAUMSLX7	410186	●
48	68	8	AS	grooved	0,05	75 FKM 585	BAUMSLX7	411231	●
48	72	8	A	grooved	0,05	75 FKM 585	BAUMX7	388860	●
48	72	8	AS	grooved	0,05	75 FKM 585	BAUMSLX7	460943	●
50	60	4,5	AS	grooved	0,05	75 FKM 585	BAUMSLX27	521194	●
50	65	8	A	grooved	0,05	75 FKM 585	BAUMX7	389801	●
50	65	8	AS	grooved	0,05	75 FKM 585	BAUMSLX7	410188	●
50	65	10	AS	smooth	0,05	75 FKM 585	BAUMSL	455620	●
50	68	8	A	grooved	0,05	75 FKM 585	BAUMX7	386015	●
50	68	8	AS	grooved	0,05	75 FKM 585	BAUMSLX7	433708	●
50	70	8	A	grooved	0,05	75 FKM 585	BAUMX7	411521	●
50	72	8	A	grooved	0,05	75 FKM 585	BAUMX7	388083	●
50	72	8	AS	grooved	0,05	75 FKM 585	BAUMSLX7	410430	●
50	75	8	AS	grooved	0,05	75 FKM 585	BAUMSLX7	468760	●
50	80	8	A	grooved	0,05	75 FKM 585	BAUMX7	389830	●
50	80	8	AS	grooved	0,05	75 FKM 585	BAUMSLX7	477663	●
50	80	10	AS	grooved	0,05	75 FKM 585	BAUMSLX7	405447	●
50	80	10	AS	smooth	0,05	75 FKM 585	BAUMSL	455622	●
50	80	10	AS	grooved	0,05	75 FKM 585	BAUMSLX7	526239	○
50	90	8	AS	smooth	0,05	75 FKM 585	BAUMSL	49011966	●
50	90	10	AS	smooth	0,05	75 FKM 585	BAUMSL	455624	●
50	110	10	AS	smooth	0,05	75 FKM 585	BAUMSL	49014240	●
52	68	8	A	grooved	0,05	75 FKM 585	BAUMX7	400964	●
52	68	8	AS	grooved	0,05	75 FKM 585	BAUMSLX7	409244	●
52	72	8	A	grooved	0,05	75 FKM 585	BAUMX7	389280	●
52	72	8	AS	grooved	0,05	75 FKM 585	BAUMSLX7	410422	●
52	72	10	AS	smooth	0,05	75 FKM 585	BAUMSL	470380	●
52	80	10	AS	grooved	0,05	75 FKM 585	BAUMSLX7	532940	●
52	85	10	AS	grooved	0,05	75 FKM 585	BAUMSLX7	465368	●
52	100	10	AS	smooth	0,05	75 FKM 585	BAUMSL	470340	●
52	100	10	A	grooved	0,05	75 FKM 585	BAUMX7	524706	●
54	70	8	AS	grooved	0,05	75 FKM 585	BAUMSLX7	532939	●
55	68	8	AS	grooved	0,05	75 FKM 585	BAUMSLX7	520864	●
55	68	8	A	grooved	0,05	75 FKM 585	BAUMX7	525674	●
55	70	8	AS	grooved	0,05	75 FKM 585	BAUMSLX7	476381	●
55	70	10	A	grooved	0,05	75 FKM 585	BAUMX7	386016	●
55	72	8	A	grooved	0,05	75 FKM 585	BAUMX7	386017	●
55	72	8	AS	grooved	0,05	75 FKM 585	BAUMSLX7	407140	●
55	72	10	AS	smooth	0,05	75 FKM 585	BAUMSL	462744	●

● Available from stock ○ On request: Tool is available, delivery at short notice

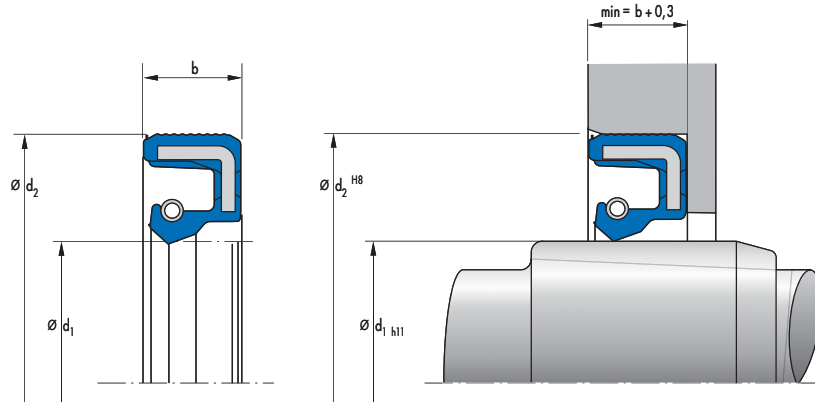


d_1	d_2	b	DIN 3761	Outer surface	Pressure	Material	Type	Article No.	
55	75	8	AS	grooved	0,05	75 FKM 585	BAUMSLX7	410784	●
55	78	10	AS	grooved	0,05	75 FKM 585	BAUMSLX7	474111	●
55	80	8	A	grooved	0,05	75 FKM 585	BAUMX7	400987	●
55	80	8	AS	grooved	0,05	75 FKM 585	BAUMSLX7	521008	●
55	80	10	A	grooved	0,05	75 FKM 585	BAUMX7	388830	●
55	85	8	A	grooved	0,05	75 FKM 585	BAUMX7	411522	●
55	85	10	A	grooved	0,05	75 FKM 585	BAUMX7	389288	●
55	90	8	AS	grooved	0,05	75 FKM 585	BAUMSLX7	477662	●
55	90	8	A	smooth	0,05	75 FKM 585	BAUM	49012068	●
55	90	10	AS	smooth	0,05	75 FKM 585	BAUMSL	455629	●
55	100	8	AS	smooth	0,05	75 FKM 585	BAUMSL	49011965	●
55	100	10	AS	smooth	0,05	75 FKM 585	BAUMSL	470438	●
55	110	10	AS	grooved	0,05	75 FKM 585	BAUMSLX7	465367	●
56	70	8	AS	grooved	0,05	75 FKM 585	BAUMSLX7	407296	●
56	72	8	AS	grooved	0,05	75 FKM 585	BAUMSLX7	410420	●
56	80	8	A	grooved	0,05	75 FKM 585	BAUMX7	411523	●
56	85	8	A	grooved	0,05	75 FKM 585	BAUMX7	411524	●
58	72	8	A	grooved	0,05	75 FKM 585	BAUMX7	403099	●
58	72	8	AS	grooved	0,05	75 FKM 585	BAUMSLX7	49009508	●
58	80	8	A	grooved	0,05	75 FKM 585	BAUMX7	411526	●
58	80	8	AS	grooved	0,05	75 FKM 585	BAUMSLX7	478514	○
60	75	8	AS	grooved	0,05	75 FKM 585	BAUMSLX7	404321	●
60	75	8	A	grooved	0,05	75 FKM 585	BAUMX7	49015826	●
60	78	10	A	grooved	0,05	75 FKM 585	BAUMX7	49037121	●
60	80	8	AS	grooved	0,05	75 FKM 585	BAUMSLX7	407294	●
60	80	8	A	grooved	0,05	75 FKM 585	BAUMX7	520224	●
60	80	10	A	grooved	0,05	75 FKM 585	BAUMX7	386182	●
60	85	8	A	smooth	0,05	75 FKM 595	BAUM	121907	○
60	85	8	A	grooved	0,05	75 FKM 585	BAUMX7	389828	●
60	85	10	AS	smooth	0,05	75 FKM 585	BAUMSL	384292	●
60	90	8	A	grooved	0,05	75 FKM 585	BAUMX7	400796	●
60	90	8	AS	grooved	0,05	75 FKM 585	BAUMSLX7	407448	●
60	90	10	A	grooved	0,05	75 FKM 585	BAUMX7	389605	●
60	95	8	AS	grooved	0,05	75 FKM 585	BAUMSLX7	468761	●
60	100	10	A	grooved	0,05	75 FKM 585	BAUMX7	524450	●
60	110	10	A	grooved	0,05	75 FKM 585	BAUMX7	478357	●

● Available from stock ○ On request: Tool is available, delivery at short notice

d ₁	d ₂	b	DIN 3761	Outer surface	Pressure	Material	Type	Article No.	
60	110	10	AS	smooth	0,05	75 FKM 585	BAUMSL	49012130	●
60	110	12	AS	smooth	0,05	75 FKM 585	BAUMSL	455631	●
62	85	10	A	grooved	0,05	75 FKM 585	BAUMX7	400994	●
62	90	10	A	grooved	0,05	75 FKM 585	BAUMX7	402395	●
62	90	10	AS	grooved	0,05	75 FKM 585	BAUMSLX7	520029	○
62	90	12	AS	smooth	0,05	75 FKM 585	BAUMSL	470365	●
62	120	12	AS	smooth	0,05	75 FKM 585	BAUMSL	470347	●
63	85	10	A	grooved	0,05	75 FKM 585	BAUMX7	411527	●
63	90	10	AS	grooved	0,05	75 FKM 585	BAUMSLX7	410417	●
63	90	10	A	grooved	0,05	75 FKM 585	BAUMX7	411528	●
64	90	10	AS	grooved	0,05	75 FKM 585	BAUMSLX7	532938	●
65	80	8	AS	grooved	0,05	75 FKM 585	BAUMSLX7	474109	●
65	80	8	A	grooved	0,05	75 FKM 585	BAUMX7	520225	●
65	85	10	A	grooved	0,05	75 FKM 585	BAUMX7	389826	●
65	85	10	AS	grooved	0,05	75 FKM 585	BAUMSLX7	389999	●
65	85	12	A	grooved	0,05	75 FKM 585	BAUMX7	389292	●
65	85	12	AS	smooth	0,05	75 FKM 585	BAUMSL	470432	●
65	90	8	AS	smooth	0,05	75 FKM 585	BAUMSL	49017460	●
65	90	10	A	grooved	0,05	75 FKM 585	BAUMX7	403074	●
65	90	10	AS	grooved	0,05	75 FKM 585	BAUMSLX7	416246	●
65	90	12	A	grooved	0,05	75 FKM 585	BAUMX7	389584	●
65	95	10	A	grooved	0,05	75 FKM 585	BAUMX7	411733	●
65	100	10	A	grooved	0,05	75 FKM 585	BAUMX7	401003	●
65	100	10	AS	grooved	0,05	75 FKM 585	BAUMSLX7	410408	●
65	100	12	AS	smooth	0,05	75 FKM 585	BAUMSL	470434	●
65	120	10	AS	smooth	0,05	75 FKM 585	BAUMSL	49011962	●
65	120	10	A	smooth	0,05	75 FKM 585	BAUM	49012129	●
65	120	12	AS	smooth	0,05	75 FKM 585	BAUMSL	455633	●
65	140	12	AS	smooth	0,05	75 FKM 585	BAUMSL	455635	●
67	90	10	AS	grooved	0,05	75 FKM 585	BAUMSLX7	531790	●
68	90	10	A	grooved	0,05	75 FKM 585	BAUMX7	389793	●
68	90	10	AS	grooved	0,05	75 FKM 585	BAUMSLX7	407291	●
68	100	10	A	grooved	0,05	75 FKM 585	BAUMX7	411777	●
69,85	104,75	14,2	AS	smooth	0,05	75 FKM 595	BAUMSL	429414	○
70	85	8	A	grooved	0,05	75 FKM 585	BAUMX7	407045	●
70	85	8	AS	grooved	0,05	75 FKM 585	BAUMSLX7	532958	●
70	90	10	A	grooved	0,05	75 FKM 585	BAUMX7	376664	●
70	90	10	AS	grooved	0,05	75 FKM 585	BAUMSLX7	520226	●
70	90	12	A	grooved	0,05	75 FKM 585	BAUMX7	388870	●
70	90	12	AS	smooth	0,05	75 FKM 585	BAUMSL	455637	●
70	95	12	AS	grooved	0,05	75 FKM 585	BAUMSLX7	405449	●
70	100	10	A	grooved	0,05	75 FKM 585	BAUMX7	398035	●
70	100	10	AS	grooved	0,05	75 FKM 585	BAUMSLX7	524105	●
70	110	8	A	smooth	0,05	75 FKM 585	BAUM	49012067	●
70	110	12	AS	smooth	0,05	75 FKM 585	BAUMSL	455639	●
70	130	10	AS	smooth	0,05	75 FKM 585	BAUMSL	49011951	●
70	130	10	A	smooth	0,05	75 FKM 585	BAUM	49012128	●
72	84	7	A	grooved	0,05	75 FKM 585	BAUMX7	410718	●
72	90	10	A	smooth	0,05	75 FKM 595	BAUM	418071	○
72	95	10	A	grooved	0,05	75 FKM 585	BAUMX7	411780	●

● Available from stock ○ On request: Tool is available, delivery at short notice

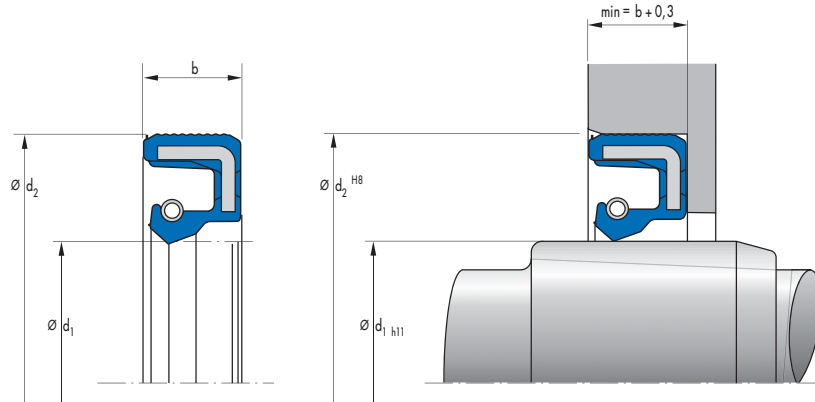


d_1	d_2	b	DIN 3761	Outer surface	Pressure	Material	Type	Article No.	
72	95	12	AS	smooth	0,05	75 FKM 585	BAUMSL	470367	●
72	100	10	A	grooved	0,05	75 FKM 585	BAUMX7	401034	●
72	100	10	AS	grooved	0,05	75 FKM 585	BAUMSLX7	407289	●
72	140	12	AS	smooth	0,05	75 FKM 585	BAUMSL	470351	●
75	90	8	A	grooved	0,05	75 FKM 585	BAUMX7	520865	●
75	90	10	A	grooved	0,05	75 FKM 585	BAUMX7	435005	●
75	90	10	AS	grooved	0,05	75 FKM 585	BAUMSLX7	468762	●
75	95	10	A	grooved	0,05	75 FKM 585	BAUMX7	402396	●
75	95	10	AS	grooved	0,05	75 FKM 585	BAUMSLX7	521009	●
75	95	12	A	grooved	0,05	75 FKM 585	BAUMX7	389609	●
75	100	10	A	grooved	0,05	75 FKM 585	BAUMX7	398031	●
75	100	10	AS	grooved	0,05	75 FKM 585	BAUMSLX7	407279	●
75	100	12	A	grooved	0,05	75 FKM 585	BAUMX7	389296	●
75	115	12	AS	grooved	0,05	75 FKM 585	BAUMSLX7	477664	●
75	120	12	AS	smooth	0,05	75 FKM 585	BAUMSL	49012063	●
75	120	12	A	smooth	0,05	75 FKM 585	BAUM	49013714	●
75	125	12	AS	smooth	0,05	75 FKM 595	BAUMSL	474897	○
75	130	12	AS	smooth	0,05	75 FKM 585	BAUMSL	455642	●
78	100	10	A	grooved	0,05	75 FKM 585	BAUMX7	401025	●
80	100	12	A	grooved	0,05	75 FKM 585	BAUMX7	388823	●
80	100	10	A	grooved	0,05	75 FKM 585	BAUMX7	398029	●
80	100	10	AS	grooved	0,05	75 FKM 585	BAUMSLX7	468978	●
80	100	12	AS	smooth	0,05	75 FKM 585	BAUMSL	470440	●
80	110	10	A	grooved	0,05	75 FKM 585	BAUMX7	397823	●
80	110	10	AS	grooved	0,05	75 FKM 585	BAUMSLX7	427699	●
80	125	12	AS	smooth	0,05	75 FKM 585	BAUMSL	470442	●
80	140	13	AS	grooved	0,05	75 FKM 585	BAUMSLX7	477666	●
80	140	13	A	grooved	0,05	75 FKM 585	BAUMX7	49012109	●
80	150	15	AS	smooth	0,05	75 FKM 585	BAUMSL	520739	●
80	170	13	AS	smooth	0,05	75 FKM 585	BAUMSL	439857	●
82	100	10	A	grooved	0,05	75 FKM 585	BAUMX7	460327	●
82	120	13	AS	smooth	0,05	75 FKM 585	BAUMSL	470378	●
82	160	13	AS	smooth	0,05	75 FKM 585	BAUMSL	470382	●
85	100	8	AS	grooved	0,05	75 FKM 585	BAUMSLX7	520227	●
85	105	7	AS	grooved	0,05	75 FKM 585	BAUMSLX7	522850	●
85	105	12	AS	grooved	0,05	75 FKM 585	BAUMSLX7	404329	●

● Available from stock ○ On request: Tool is available, delivery at short notice

d ₁	d ₂	b	DIN 3761	Outer surface	Pressure	Material	Type	Article No.	
85	105	12	A	grooved	0,05	75 FKM 585	BAUMX7	526104	●
85	105	13	A	smooth	0,05	75 FKM 595	BAUM	4061	○
85	110	10	A	grooved	0,05	75 FKM 585	BAUMX7	476119	●
85	110	12	A	grooved	0,05	75 FKM 585	BAUMX7	388841	●
85	110	12	AS	smooth	0,05	75 FKM 585	BAUMSL	455644	●
85	120	12	A	grooved	0,05	75 FKM 585	BAUMX7	388807	●
85	130	10	AS	grooved	0,05	75 FKM 585	BAUMSLX7	477667	●
85	130	10	A	grooved	0,05	75 FKM 585	BAUMX7	49012126	●
85	140	12	AS	smooth	0,05	75 FKM 585	BAUMSL	455647	●
85	150	12	AS	grooved	0,05	75 FKM 585	BAUMSLX7	520105	●
88	110	13	A	smooth	0,05	75 FKM 595	BAUM	142385	○
88	160	13	AS	grooved	0,05	75 FKM 585	BAUMSLX7	477611	●
90	110	12	A	grooved	0,05	75 FKM 585	BAUMX7	388824	●
90	110	12	AS	grooved	0,05	75 FKM 585	BAUMSLX7	521010	●
90	115	12	AS	grooved	0,05	75 FKM 585	BAUMSLX7	428612	●
90	120	12	A	grooved	0,05	75 FKM 585	BAUMX7	389300	●
90	120	12	AS	grooved	0,05	75 FKM 585	BAUMSLX7	420404	●
90	130	12	AS	grooved	0,05	75 FKM 585	BAUMSLX7	420402	●
95	115	13	A	grooved	0,05	75 FKM 585	BAUMX7	389615	●
95	120	12	A	grooved	0,05	75 FKM 585	BAUMX7	388845	●
95	120	12	AS	grooved	0,05	75 FKM 585	BAUMSLX7	521011	●
95	125	12	A	grooved	0,05	75 FKM 585	BAUMX7	403102	●
95	125	12	AS	grooved	0,05	75 FKM 585	BAUMSLX7	436020	●
95	125	13	AS	smooth	0,05	75 FKM 585	BAUMSL	455649	●
95	145	13	AS	smooth	0,05	75 FKM 585	BAUMSL	470444	●
95	145	13	A	smooth	0,05	75 FKM 585	BAUM	49012060	●
95	170	13	AS	smooth	0,05	75 FKM 585	BAUMSL	455652	●
98	125	13	A	smooth	0,05	75 FKM 595	BAUM	142387	○
100	115	9	AS	grooved	0,05	75 FKM 595	BAUMSLX7	412884	○
100	120	12	AS	grooved	0,05	75 FKM 595	BAUMSLX7	350248	○
100	120	12	A	grooved	0,05	75 FKM 585	BAUMX7	389309	●
100	120	12	AS	grooved	0,05	75 FKM 585	BAUMSLX7	411235	●
100	125	12	A	grooved	0,05	75 FKM 585	BAUMX7	389690	●
100	125	12	AS	grooved	0,05	75 FKM 585	BAUMSLX7	521012	●
100	130	12	A	grooved	0,05	75 FKM 585	BAUMX7	389698	●
100	130	12	AS	grooved	0,05	75 FKM 585	BAUMSLX7	49000979	●
100	130	13	AS	smooth	0,05	75 FKM 585	BAUMSL	310982	○
100	160	14	AS	smooth	0,05	75 FKM 585	BAUMSL	49012061	●
100	160	14	A	smooth	0,05	75 FKM 585	BAUM	49012062	●
100	180	12	A	smooth	0,05	75 FKM 585	BAUM	49012124	●
100	190	15	AS	grooved	0,05	75 FKM 585	BAUMSLX7	520740	●
105	130	12	A	grooved	0,05	75 FKM 585	BAUMX7	389699	●
105	130	12	AS	grooved	0,05	75 FKM 585	BAUMSLX7	411280	●
105	140	12	A	grooved	0,05	75 FKM 585	BAUMX7	411268	●
105	160	12	AS	grooved	0,05	75 FKM 585	BAUMSLX7	477615	●
108	140	15	AS	smooth	0,05	75 FKM 585	BAUMSL	470436	●
108	170	15	AS	smooth	0,05	75 FKM 585	BAUMSL	470384	●
110	128	12	A	grooved	0,05	75 FKM 585	BAUMX7	436018	●
110	130	8	AS	grooved	0,05	75 FKM 585	BAUMSLX7	520228	●
110	130	12	A	grooved	0,05	75 FKM 585	BAUMX7	376665	●

● Available from stock ○ On request: Tool is available, delivery at short notice

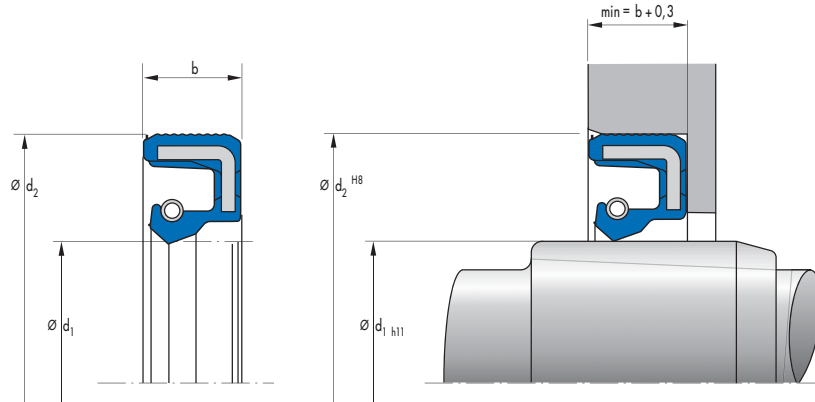


d_1	d_2	b	DIN 3761	Outer surface	Pressure	Material	Type	Article No.	
110	130	12	AS	grooved	0,05	75 FKM 585	BAUMSLX7	407283	●
110	140	12	A	grooved	0,05	75 FKM 585	BAUMX7	389454	●
110	140	12	AS	grooved	0,05	75 FKM 585	BAUMSLX7	521013	●
110	170	15	AS	smooth	0,05	75 FKM 585	BAUMSL	520741	●
110	200	13	AS	smooth	0,05	75 FKM 585	BAUMSL	49012065	●
110	215	15	AS	smooth	0,05	75 FKM 585	BAUMSL	520742	●
112	130	12	A	grooved	0,05	75 FKM 585	BAUMX7	520866	●
115	140	12	AS	smooth	0,05	75 FKM 585	BAUMSL	142971	○
115	140	12	A	smooth	0,05	75 FKM 595	BAUM	351142	○
115	140	12	A	grooved	0,05	75 FKM 585	BAUMX7	389700	●
115	140	12	AS	grooved	0,05	75 FKM 585	BAUMSLX7	522388	●
115	150	12	A	grooved	0,05	75 FKM 585	BAUMX7	407103	●
115	150	12	AS	grooved	0,05	75 FKM 585	BAUMSLX7	411270	●
115	160	12	A	grooved	0,05	75 FKM 585	BAUMX7	49010597	●
118	150	12	AS	smooth	0,05	75 FKM 585	BAUMSL	461900	●
118	150	12	A	smooth	0,05	75 FKM 585	BAUM	462757	●
120	140	13	AS	grooved	0,05	75 FKM 585	BAUMSLX7	405832	●
120	140	13	A	grooved	0,05	75 FKM 585	BAUMX7	525673	●
120	150	12	A	grooved	0,05	75 FKM 585	BAUMX7	401018	●
120	150	12	AS	grooved	0,05	75 FKM 585	BAUMSLX7	474123	●
120	150	13	AS	smooth	0,05	75 FKM 595	BAUMSL	384118	○
120	150	15	A	grooved	0,05	75 FKM 585	BAUMX7	389455	●
120	150	15	AS	smooth	0,05	75 FKM 585	BAUMSL	470448	●
120	160	12	A	grooved	0,05	75 FKM 585	BAUMX7	407104	●
120	160	12	AS	grooved	0,05	75 FKM 585	BAUMSLX7	411290	●
120	180	15	AS	smooth	0,05	75 FKM 585	BAUMSL	470452	●
120	200	14	AS	smooth	0,05	75 FKM 585	BAUMSL	49011950	●
120	200	14	A	smooth	0,05	75 FKM 585	BAUM	49012125	●
122	200	15	AS	grooved	0,05	75 FKM 585	BAUMSLX7	477613	●
125	145	13	A	grooved	0,05	75 FKM 585	BAUMX7	49016136	○
125	150	12	AS	grooved	0,05	75 FKM 585	BAUMSLX7	407276	●
125	150	12	A	grooved	0,05	75 FKM 585	BAUMX7	49045094	○
125	150	15	A	grooved	0,05	75 FKM 585	BAUMX7	389702	●
125	160	12	A	grooved	0,05	75 FKM 585	BAUMX7	411240	●
125	160	15	AS	smooth	0,05	75 FKM 585	BAUMSL	470446	●
125	200	15	AS	smooth	0,05	75 FKM 585	BAUMSL	470426	●

● Available from stock ○ On request: Tool is available, delivery at short notice

d ₁	d ₂	b	DIN 3761	Outer surface	Pressure	Material	Type	Article No.	
130	150	15	A	grooved	0,05	75 FKM 585	BAUMX7	530591	●
130	160	12	A	grooved	0,05	75 FKM 585	BAUMX7	402397	●
130	160	12	AS	grooved	0,05	75 FKM 585	BAUMSLX7	474122	●
130	160	15	A	grooved	0,05	75 FKM 585	BAUMX7	389456	●
130	170	12	A	grooved	0,05	75 FKM 585	BAUMX7	407050	●
130	170	12	AS	grooved	0,05	75 FKM 585	BAUMSLX7	411238	●
130	200	15	AS	grooved	0,05	75 FKM 585	BAUMSLX7	477612	●
130	215	15	AS	smooth	0,05	75 FKM 585	BAUMSL	520743	●
135	165	12	A	grooved	0,05	75 FKM 585	BAUMX7	521829	●
135	170	12	AS	smooth	0,05	75 FKM 585	BAUMSL	375318	○
135	170	12	A	grooved	0,05	75 FKM 585	BAUMX7	411236	●
135	170	15	A	grooved	0,05	75 FKM 585	BAUMX7	389749	●
140	170	13	AS	grooved	0,05	75 FKM 585	BAUMSLX7	434702	●
140	170	15	A	grooved	0,05	75 FKM 595	BAUMX7	348664	○
140	170	15	A	grooved	0,05	75 FKM 585	BAUMX7	389458	●
140	230	15	AS	smooth	0,05	75 FKM 585	BAUMSL	49012059	●
140	230	15	A	smooth	0,05	75 FKM 585	BAUM	49012122	●
140	250	15	AS	smooth	0,05	75 FKM 585	BAUMSL	49012058	●
140	250	15	A	smooth	0,05	75 FKM 585	BAUM	49012123	●
145	175	15	A	grooved	0,05	75 FKM 585	BAUMX7	402486	●
145	190	17	AS	smooth	0,05	75 FKM 585	BAUMSL	470450	●
145	230	17	AS	smooth	0,05	75 FKM 585	BAUMSL	470428	●
150	180	15	A	grooved	0,05	75 FKM 585	BAUMX7	389750	●
150	180	15	AS	grooved	0,05	75 FKM 585	BAUMSLX7	521014	●
150	225	15	AS	grooved	0,05	75 FKM 585	BAUMSLX7	477610	●
155	174	12	A	smooth	0,05	75 FKM 595	BAUM	410711	○
155	180	15	A	smooth	0,05	75 FKM 585	BAUM	463990	○
155	180	15	AS	grooved	0,05	75 FKM 585	BAUMSLX7	474107	●
160	190	15	A	grooved	0,05	75 FKM 585	BAUMX7	389752	●
160	190	15	AS	grooved	0,05	75 FKM 585	BAUMSLX7	521015	●
160	240	14	AS	grooved	0,05	75 FKM 585	BAUMSLX7	477614	●
160	290	18	AS	smooth	0,05	75 FKM 595	BAUMSL	49012057	●
160	290	18	A	smooth	0,05	75 FKM 595	BAUM	49012110	●
162	190	12	A	smooth	0,05	75 FKM 585	BAUM	410714	○
162	190	12	AS	grooved	0,05	75 FKM 585	BAUMSLX7	520229	●
168	190	15	A	smooth	0,05	75 FKM 595	BAUM	342151	○
170	200	15	A	grooved	0,05	75 FKM 585	BAUMX7	389755	●
170	200	15	AS	grooved	0,05	75 FKM 585	BAUMSLX7	521016	●
180	210	15	A	grooved	0,05	75 FKM 585	BAUMX7	402490	●
180	210	15	AS	grooved	0,05	75 FKM 585	BAUMSLX7	521017	●
180	215	16	AS	smooth	0,05	75 FKM 585	BAUMSL	392790	○
184	210	15	AS	smooth	0,05	75 FKM 595	BAUMSL	304125	○
190	220	15	A	grooved	0,05	75 FKM 585	BAUMX7	389697	●
190	220	15	AS	grooved	0,05	75 FKM 585	BAUMSLX7	454176	●
200	230	15	A	grooved	0,05	75 FKM 585	BAUMX7	407051	●
200	230	15	AS	grooved	0,05	75 FKM 585	BAUMSLX7	520230	●
200	310	18	AS	smooth	0,05	75 FKM 595	BAUMSL	49011949	●
200	310	18	A	smooth	0,05	75 FKM 595	BAUM	49012111	●
205	230	15	A	grooved	0,05	75 FKM 585	BAUMX7	528843	●
210	240	15	AS	grooved	0,05	75 FKM 585	BAUMSLX7	474108	●

● Available from stock ○ On request: Tool is available, delivery at short notice



d_1	d_2	b	DIN 3761	Outer surface	Pressure	Material	Type	Article No.	
215	235	10	AS	smooth	0,05	75 FKM 595	BAUMSL	478540	○
220	250	15	A	grooved	0,05	75 FKM 585	BAUMX7	435004	●
220	250	15	AS	grooved	0,05	75 FKM 585	BAUMSLX7	468763	●
230	260	15	A	grooved	0,05	75 FKM 585	BAUMX7	412593	●
230	260	15	AS	grooved	0,05	75 FKM 585	BAUMSLX7	520231	●
240	270	15	A	smooth	0,05	75 FKM 585	BAUM	414150	●
240	270	15	AS	grooved	0,05	75 FKM 585	BAUMSLX7	520694	●
250	280	15	A	smooth	0,05	75 FKM 585	BAUM	142223	○
250	280	15	AS	grooved	0,05	75 FKM 585	BAUMSLX7	520695	●
250	280	15	A	grooved	0,05	75 FKM 585	BAUMX7	49035578	○
260	300	20	AS	grooved	0,05	75 FKM 585	BAUMSLX7	520696	●
270	300	15	A	smooth	0,05	75 FKM 585	BAUM	333308	○
270	310	16	A	smooth	0,05	75 FKM 585	BAUM	335347	○
280	320	20	AS	grooved	0,05	75 FKM 585	BAUMSLX7	520697	●
300	340	16	A	smooth	0,05	75 FKM 585	BAUM	530862	○
300	340	20	AS	grooved	0,05	75 FKM 585	BAUMSLX7	520698	●
320	360	20	A	smooth	0,05	75 FKM 595	BAUM	324209	○
320	360	20	AS	grooved	0,05	75 FKM 585	BAUMSLX7	520699	●
340	380	20	A	grooved	0,05	75 FKM 585	BAUMX7	522482	○
340	380	20	AS	grooved	0,05	75 FKM 585	BAUMSLX7	523042	●
420	460	20	A	smooth	0,05	75 FKM 585	BAUM	346641	○
448	480	15	A	smooth	0,05	75 FKM 585	BAUM	451881	○
480	520	20	A	smooth	0,05	75 FKM 595	BAUM	49008731	○
530	580	20	A	smooth	0,05	75 FKM 585	BAUM	49013753	○
560	610	20	A	smooth	0,05	75 FKM 595	BAUM	425242	○
760	800	20	A	smooth	0,05	75 FKM 585	BAUM	437124	○
810	850	20	A	smooth	0,05	75 FKM 585	BAUM	436090	○

● Available from stock ○ On request: Tool is available, delivery at short notice

Simmerring Radiamatic® EWDR made of PTFE

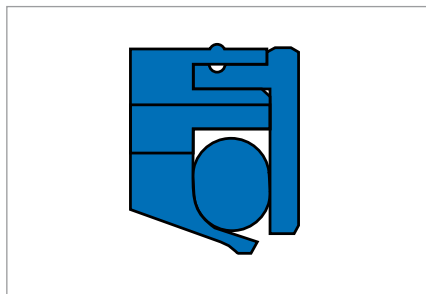


Fig.1 Simmerring Radiamatic® EWDR made of PTFE

Product description

Pressure-relieved Simmerring with a pressure ring made of PTFE compound, a stainless steel clamping ring and an O-ring (FKM) as a secondary seal.

Product advantages

Secure with simultaneous high pressure and high speed

- Low losses
- Low leak rate
- Easy fitting
- The shaft must not be machined on maintenance or seal replacement.

Application

- Primary seal in pumps and compressors
- Rotary joints for coolants and hydraulic fluid as well as gases
- Safety seal in addition to floating ring seals.

Material

PTFE carbon (standard quality)	Approved to KTW (drinking water) and BAM (oxygen)
PTFE Ekonol	Positively assessed by TNO, Nutrition and Food Research Laboratory (NL), for foodstuffs
Clamping ring	Usage of stainless steels

Operating conditions

Media	Resistance per FKM
Temperature	-20 ... +200 °C
Circumferential speed	max. 20 m/s for 1 MPa
Pressure difference	max. 3 MPa ... 0,2 MPa
For vacuum or pressure reversal	up to 0,2 MPa, housing closed

Surface, hardness

Peak-to-valley heights	R _a	R _t
Housing	<1,8 µm	<10,0 µm
Shaft, ground with no lead	0,1 ... 0,2 µm	0,5 ... 1,0 µm
Hardness of the contact area*	50-65 HRC, >0,5 mm depth of hardening	

* depending on material

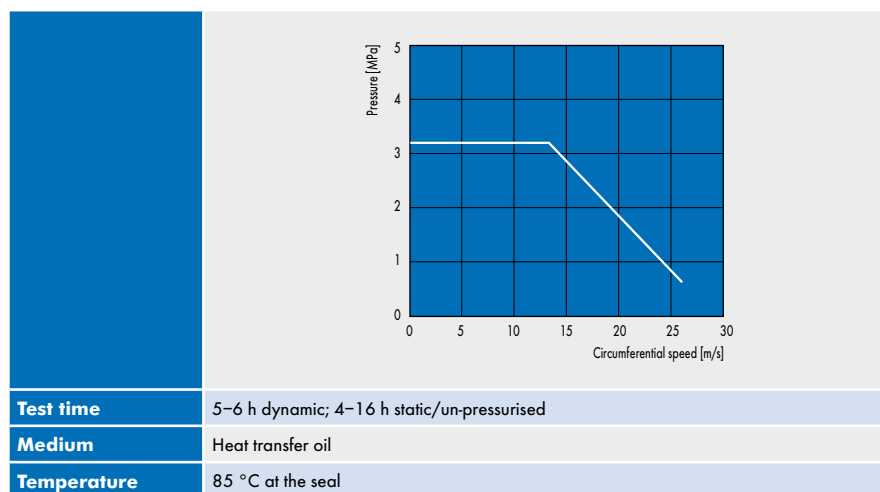
Design notes

Tolerances

Shaft	Radial shaft deflection, max.*
h11	±0,05 mm

* depending on increase in rotational speed, the radial shaft deflection may need to be more tightly limited. Please enquire.

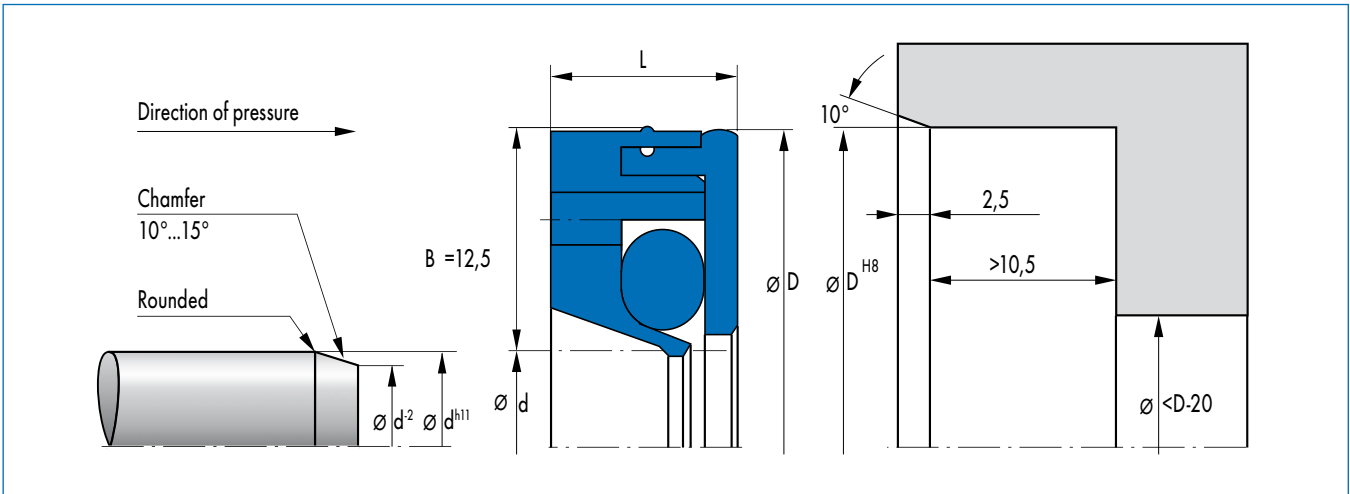
p · v Diagram



Test time	5-6 h dynamic; 4-16 h static/un-pressurised
Medium	Heat transfer oil
Temperature	85 °C at the seal

Fitting & installation

Fitting sequence: press Simmerring Radiamatic EWDR into housing; insert shaft.



$\varnothing d$	$\varnothing D$	L
20	45	10,5
25	50	10,5
28	53	10,5
30	55	10,5
35	60	10,5
40	65	10,5
45	70	10,5
50	75	10,5
55	80	10,5
60	85	10,5
65	90	10,5
70	95	10,5
75	100	10,5
80	105	10,5
90	115	10,5
100	125	10,5

Other dimensions on enquiry.

Simmerring Energy Saving Seal (ESS)

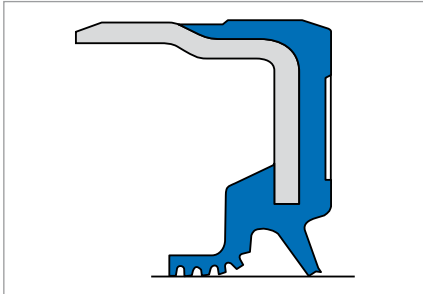


Fig. 1 Simmerring Energy Saving Seal (ESS)

Product description

Springless Simmerring with return pumping helix.

Product advantages

- Very low friction
- Reduction of dissipation loss and production of heat
- Low wear
- Long service life.

Application

Engines, automobile and industrial gearboxes.

Material

Code	75 NBR 106200
	75 FKM 595
	70 ACM 121433

Operating conditions

For one direction of rotation of the shaft:

T	-40 ... +100 °C (NBR)
	-30 ... +150 °C (ACM)
	-25 ... +160 °C (FKM)
v_{U max}	30 m/s
p_{max}	0,02 MPa/0,2 bar

Max. permissible values depend on the other operating conditions.

Simmerring High Low Pressure Seal (HLPS)

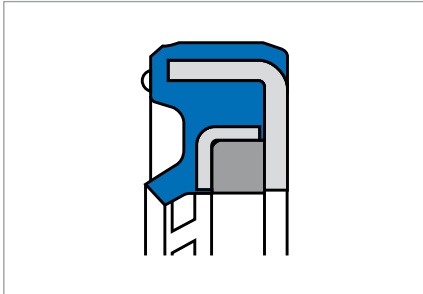


Fig. 1 Simmerring High Low Pressure Seal (HLPS)

Material

Code	HNBR
Back-up ring	PTFE

Operating conditions

T	-40 ... +120 °C
v_{U max}	2 m/s
P_{max}	0,22 MPa/220 bar

Max. permissible values depend on the other operating conditions.

Product description

Special type BA with springless sealing lip and integrated special back-up ring.

Product advantages

- Reliably seals under the most extreme pressures
- Long service life
- Low wear
- Compact design.

Application

Hydrostatic drives subject to very high stress.

Simmerring Radiamatic® HTS II made of PTFE

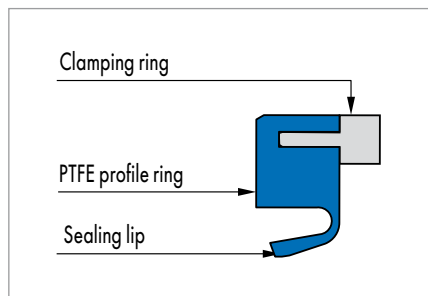


Fig. 1 Simmerring Radiamatic® HTS II made of PTFE

Product description

Simmerring for open housings. Significantly reduced lip pre-load compared to conventional geometries with high level of protection against leaks.

Product advantages

- Low friction torque
- Good dry running properties
- Low clearance volume
- Easy to clean
- Type can be easily matched to housing.

Application

Rotary pumps, agitators, gearboxes, fans, compressors, mixers, machine tools.

Material

PTFE carbon (standard quality)	Approved to KTW (drinking water) and BAM (oxygen)
PTFE Ekonol	Positively assessed by TNO, Nutrition and Food Research Laboratory (NL), for foodstuffs
Clamping ring	Usage of stainless steels

Operating conditions

Temperature range	-20 ... +200 °C
Circumferential speed	18 m/s for 0,15 MPa
Abs. pressure	0,6 MPa

When used un-pressurised, significantly higher circumferential speeds are possible. Special versions are available for alternating operation in pressure/vacuum.

Surface, hardness

Peak-to-valley heights	R_a	R_t
Housing	<1,8 µm	≤10,0 µm
Shaft, ground with no lead	0,1 ... 0,2 µm	0,5 ... 1,0 µm
Hardness of the contact area	50 ... 65 HRC, >0,5 mm depth of hardening	

The surface hardness of the running surface must be approx. 30 HRC.

Percentage contact area $M_v > 50\%$ up to max. 90% at cutting depth $c = Rz/2$ and reference line $C_{ref} = 0\%$.

Design notes

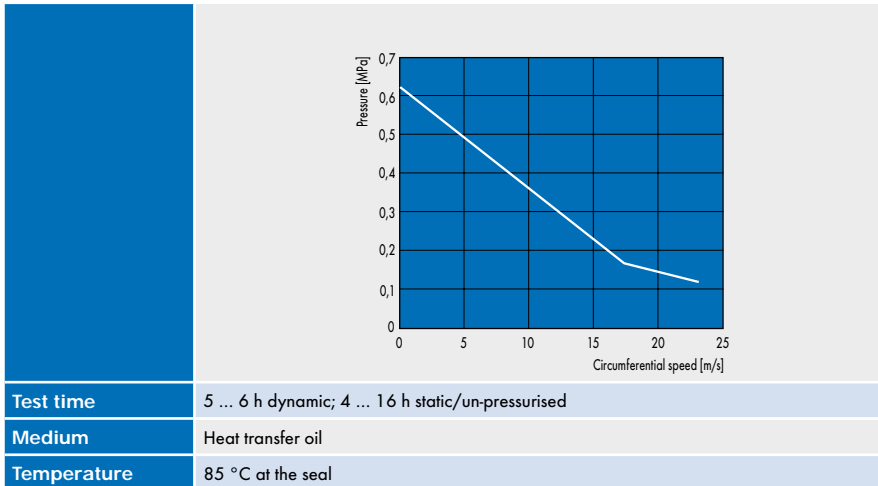
Please observe our general design notes in → Technical Manual.

Tolerances

Housing bore	Shaft	Radial shaft deflection, max.*
H8	h11	±0,05 mm

* depending on increase in rotational speed, the radial shaft deflection may need to be more tightly limited. Please enquire.

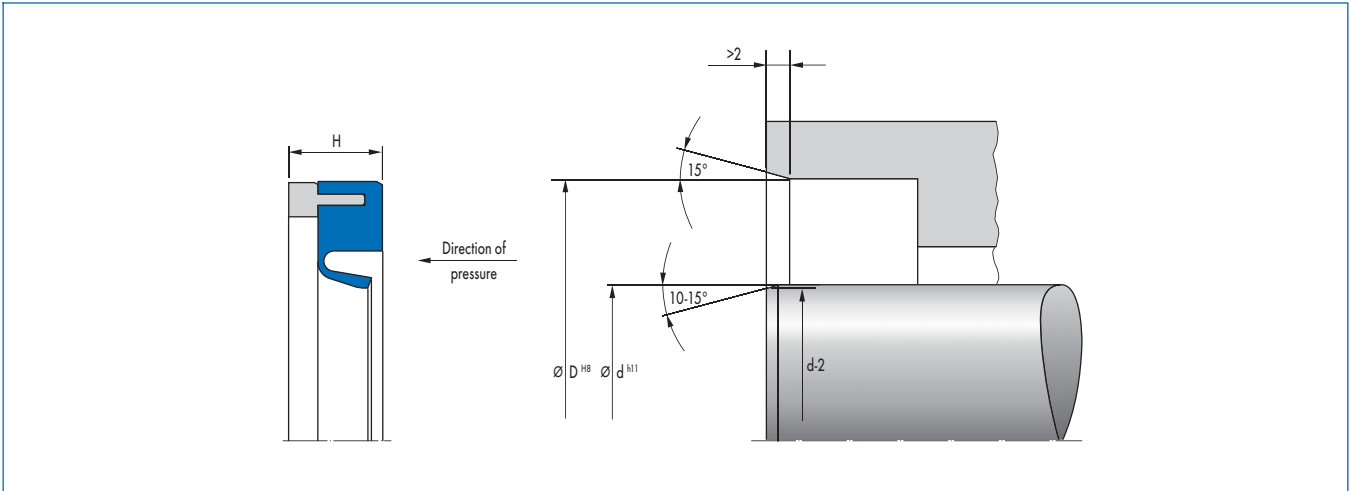
p · v Diagram



Fitting & installation

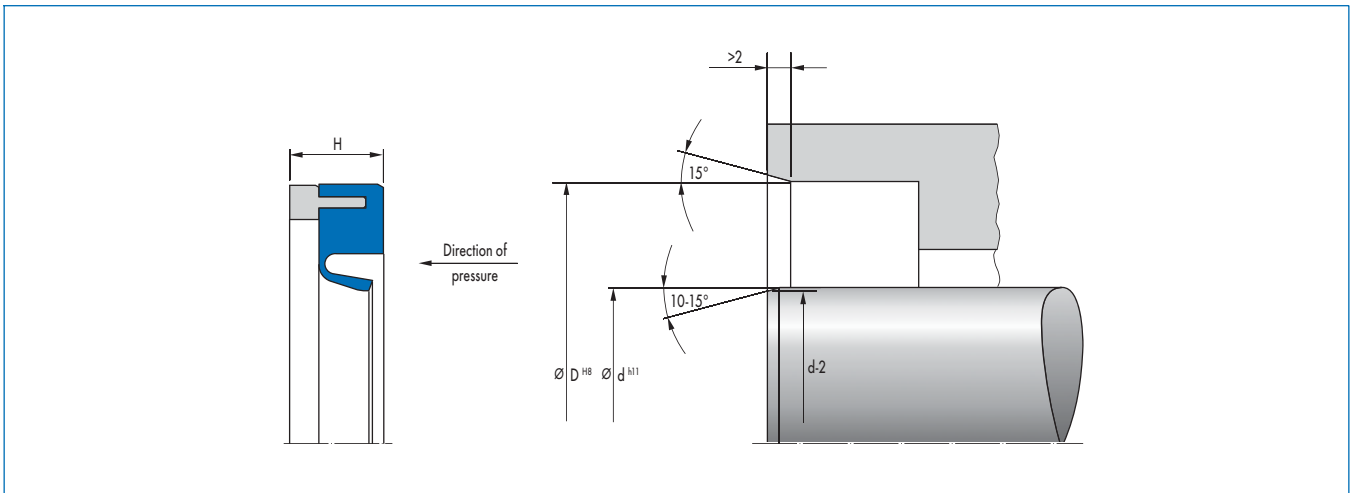
Careful fitting is a prerequisite for the correct function of the seal.
→ Technical Manual.

Article list



Width	D	L	Material	Article No.	
10	22	7	PTFE K212	24339323	○
12	22	7	PTFE K212	24339324	○
12	28	7	PTFE K212	24339325	○
15	30	7	PTFE K212	24339326	○
15	35	7	PTFE K212	24339327	○
17	35	7	PTFE K212	24339328	○
18	30	7	PTFE K212	24339329	○
20	30	7	PTFE K212	24339330	○
20	32	7	PTFE K212	24339331	○
20	35	7	PTFE K212	24339332	○
20	40	7	PTFE K212	24339333	○
22	40	7	PTFE K212	24339334	○
25	40	7	PTFE K212	24339335	○
25	42	7	PTFE K212	24339336	○
28	40	7	PTFE K212	24339337	○
28	47	7	PTFE K212	24339338	○
30	40	7	PTFE K212	24339339	○
30	42	7	PTFE K212	24339340	○
30	47	7	PTFE K212	24339341	○
30	52	7	PTFE K212	24339342	○
32	47	7	PTFE K212	24339343	○
35	47	7	PTFE K212	24339344	○
40	52	7	PTFE K212	24339345	○
42	62	8	PTFE K212	24339346	○
45	62	8	PTFE K212	24339347	○
45	65	8	PTFE K212	24339348	○
50	68	8	PTFE K212	24339349	○
50	72	8	PTFE K212	24339350	○
55	70	8	PTFE K212	24339351	○
55	80	8	PTFE K212	24339352	○
60	75	8	PTFE K212	24339353	○
60	80	8	PTFE K212	24339354	○
60	85	8	PTFE K212	24339355	○
65	85	10	PTFE K212	24339356	○
65	90	10	PTFE K212	24339357	○

● Available from stock ○ On request: Tool is available, delivery at short notice



Width	D	L	Material	Article No.	
70	90	10	PTFE K212	24339358	○
70	100	10	PTFE K212	24339359	○
75	95	10	PTFE K212	24339360	○
75	100	10	PTFE K212	24339361	○
80	100	10	PTFE K212	24339362	○
80	110	10	PTFE K212	24339363	○
85	100	12	PTFE K212	24339364	○
90	120	12	PTFE K212	24339365	○
95	120	12	PTFE K212	24339366	○
100	120	12	PTFE K212	24339367	○
100	130	12	PTFE K212	24339368	○
110	130	12	PTFE K212	24339369	○
125	150	12	PTFE K212	24339370	○

● Available from stock ○ On request: Tool is available, delivery at short notice

Simmerring Premium Pressure Seal (PPS)

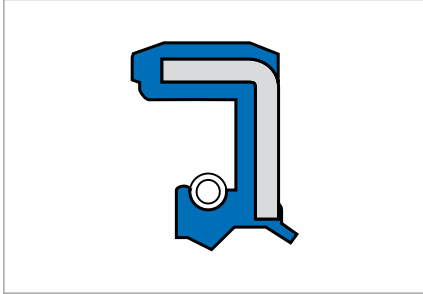


Fig. 1 Simmerring Premium Pressure Seal (PPS)

Product description

Type BA with patented sealing lip pressure loads.

Product advantages

- Low wear
- Low friction
- Long service life.

Application

Hydrostatic drives, retarders.

Material

Code	72 NBR 902
	75 FKM 595

Further information about elastomers on enquiry.

Operating conditions

T	-40 ... +100 °C (NBR)
	-25 ... +160 °C (FKM)
v_{U max}	15 m/s
P_{max}	0,1 MPa/10 bar

Max. permissible values depend on the other operating conditions.

In comparison to the standard BABSL design, up to 25% higher loads are permissible depending on the operating conditions.

Simmerring Poly Tech Seal (PTS)

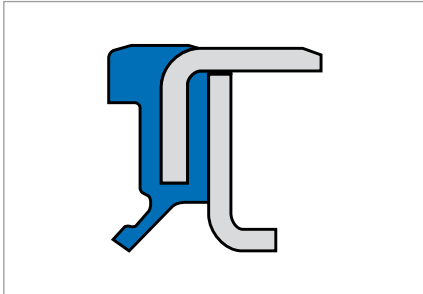


Fig. 1 Simmerring Poly Tech Seal (PTS)

Material

Code	NBR, FKM, HNBR, ACM PTFE: diverse special compounds depending on application
-------------	---

Operating conditions

T	-60 ... +200 °C (depending on combination of materials)
v_{U max}	30 m/s
P_{max}	10, MPa/10 bar

Max. permissible values depend on the other operating conditions.

Product description

Type BA or BD with vulcanised PTFE sealing lip with and without return pumping helix, with optional elastomer or fleece dust lip.

Product advantages

- Good static tightness through elastomer joining
- Low friction
- Low wear even during dry running
- High temperature resistance
- Pressure resistance
- With return pumping helix for reliable sealing even with special fluids.

Application

Hydrostatic drives, compressors, food-stuffs and chemicals industry, household appliances.

Simmerring Radiamatic® R 35

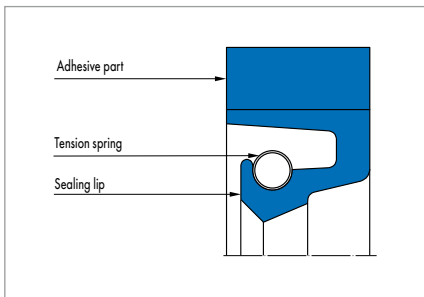


Fig. 1 Simmerring Radiamatic® R 35

Product description

Simmerring with a fabric reinforced static part that is securely joined to the elastomer sealing lip. The sealing lip is also pre-loaded with a garter spring.

Product advantages

Sealing ring is used, in case of adequate lubrication by the medium to be sealed, preferably where shafts pass through walls in mills and large gearboxes in heavy machinery manufacture.

- Particularly robust static part
- Lasting radial contact pressure
- Highly wear-resistant.

Application

Mills, ship building, steel hydraulics engineering, wind power plants.

Material

Sealing lip	Static part	Tension spring
80 NBR B241	Impregnated cotton fabric B4 B248	ST 1.4571
80 FKM K670	Impregnated aramide fabric C2 K670	ST 1.4571
75 HNBR U467	Impregnated aramide fabric C2 U464	ST 1.4571

Operating conditions

Material	80 NBR B241	80 FKM K670	75 HNBR U467
	Temperature range in °C		
Mineral oils	-30 ... +100	-10 ... +180	-20 ... +140
Water	+5 ... +100	+5 ... +80	+5 ... +100
Lubricating greases	-30 ... +100	-10 ... +180	-20 ... +140
Rolling oil emulsion	on enquiry		
Pressure p in MPa	0,05		
Running speed v in m/s	20	25	25

Other media on enquiry. Application parameters are recommended values, do not utilise all parameters simultaneously.

Surface quality

Peak-to-valley heights	R _a	R _{max}
Running surface	≤0,6 µm	≤2,5 µm
Housing	≤4 µm	≤15 µm

The contact area is machined by plunge grinding, i.e. without feed. The surface hardness must be approx. 60 HRC (depth of hardening min. 0,5 mm). With increasing circumferential speed the contact area should be manufactured with increasing peak-to-valley heights R_a. The surface should not be too smooth so that an adequate film of lubricant can form. Recommended value: R_{a min} = 0,1 µm. Percentage contact area M_r >50% to max. 90% at cutting depth c = Rz/2 and reference line C ref = 0%. Abrasive surfaces, ridges, scratches and blow-holes are to be avoided.

Design notes

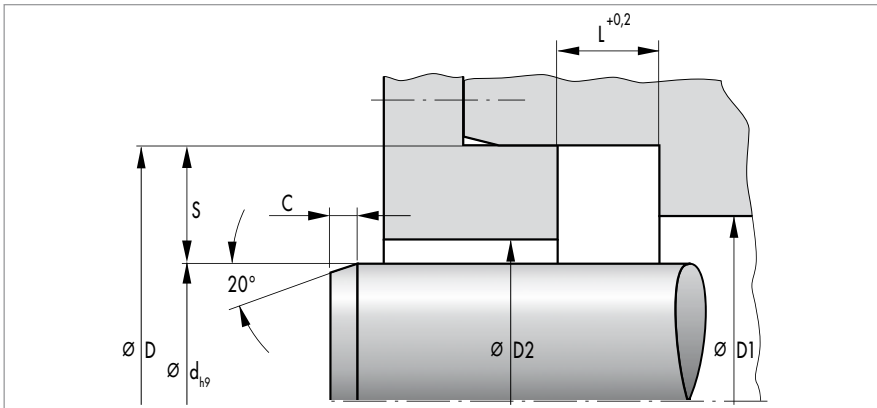


Fig. 2

Please observe our general design notes in → Technical Manual.

Lead-in chamfers

See dimension "C" in the article list.

Tolerances

D	Tolerance
<500	H8
>500	+0,0004 x D

Overall eccentricity

The permissible overall eccentricity (static and dynamic eccentricity) between shaft and housing is dependent on the seal profile and circumferential speed. If necessary, we will provide recommended values.

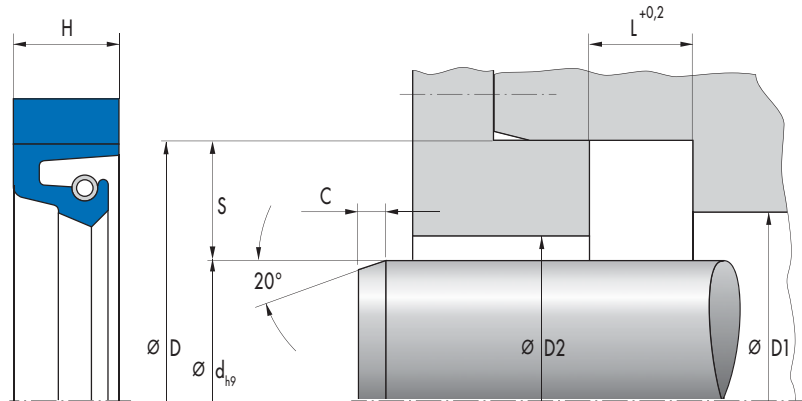
Housing recommendations for new designs

d	S (Profile)	L
>100	20	16
>250	22	20
<450	25	22
>750	32	25

Fitting & installation

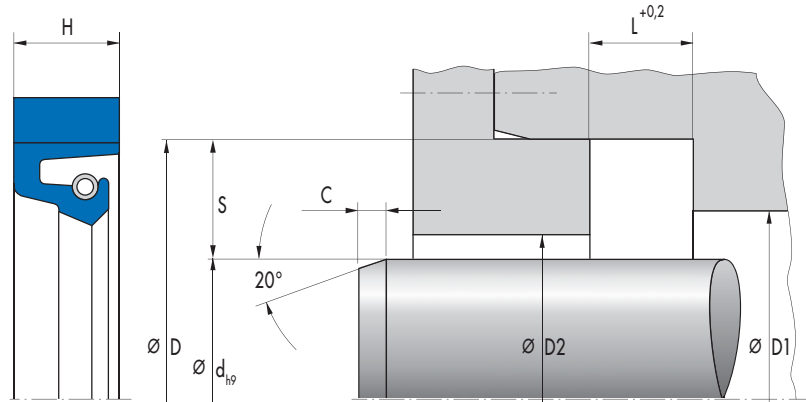
For Simmerring Radiamatic R 35 an axially accessible housing is necessary, as the rings must have low inclination. The Radiamatic R 35 rings are supplied with oversize seal width. For reliable function the Radiamatic R rings must be axially compressed to the dimension "L". An open housing with cover plate and tightening screws is necessary. Specific deformation forces are necessary for the compression. The cover plate and the tightening screws are to be designed appropriately. Please request recommended values.

Article list



Width	D	L	D ₁	D ₂	C	Material	Article No.	
100	125	10	112,5	104	8	80 NBR B241	24019355	○
100	125	12,5	112,5	104	8	80 NBR B241	24019354	○
100	130	16	115	105	8	80 NBR B241	24084477	○
100	132	12,5	116	105	8	80 NBR B241	24019356	○
100	140	16	120	107	8	80 NBR B241	24199219	○
105	145	16	125	112	8	80 NBR B241	24091749	○
110	135	10	122,5	114	8	80 NBR B241	24019358	○
110	135	12,5	122,5	114	8	80 NBR B241	24019357	○
110	140	13	125	115	8	80 NBR B241	24019359	○
110	140	13	125	115	8	80 FKM K670	24294262	○
110	140	16	125	115	8	80 NBR B241	24084489	○
110	140	16	125	115	8	80 NBR B241	24375934	○
110	150	16	130	117	8	80 NBR B241	24029888	○
120	150	16	135	125	8	80 NBR B241	24084491	○
120	160	16	140	127	8	80 NBR B241	24019360	○
125	155	12	140	130	8	80 NBR B241	24019361	○
125	155	12	140	130	8	80 FKM K670	24197677	○
125	165	15,8	145	132	8	80 NBR B241	24127755	○
130	160	15	145	135	8	80 NBR B241	24019362	○
130	170	16	150	137	8	80 NBR B241	24019363	○
140	170	16	155	145	8	80 NBR B241	24111679	○
140	180	16	160	147	8	80 NBR B241	24019364	○
146	177,8	15,9	161,9	151	8	80 NBR B241	24019365	○
150	180	12,7	165	155	8	80 NBR B241	24099375	○
150	180	13	165	155	8	80 FKM K670	24296764	○
150	180	16	165	155	8	80 NBR B241	24084493	○
150	190	16	170	157	8	80 NBR B241	24019366	○
160	190	16	175	165	8	80 NBR B241	24111683	○
160	200	16	180	167	8	80 NBR B241	24019367	○
170	200	16	185	175	8	80 NBR B241	24119486	○
170	200	16	185	175	8	80 FKM K670	24235848	○
170	210	16	190	177	8	80 FKM K670	24224263	○
170	210	16	190	177	8	80 NBR B241	24019368	○
177,8	215,9	15,9	196,85	182,8	8	80 NBR B241	24099675	○
180	215	18	197,5	185	8	80 FKM K670	24301711	○

● Available from stock ○ On request: Tool is available, delivery at short notice

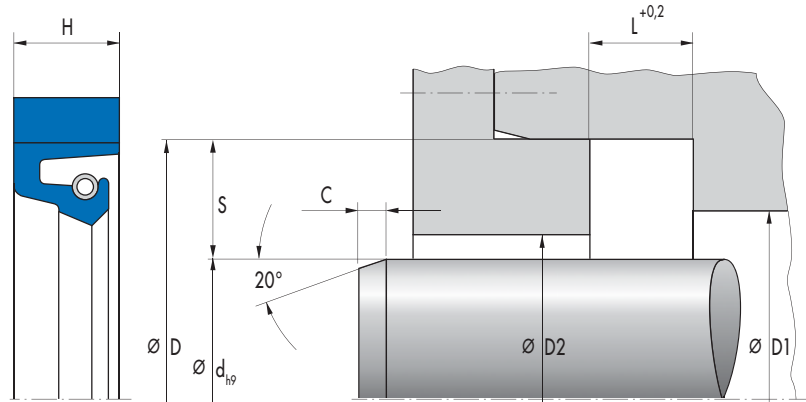


Width	D	L	D ₁	D ₂	C	Material	Article No.	
180	215	18	197,5	185	8	80 NBR B241	24111687	○
180	220	16	200	187	8	80 NBR B241	24080078	○
184,2	215,9	16	200,05	189,2	8	80 NBR B241	24089569	○
185	225	16	205	192	8	80 NBR B241	24019369	○
190	225	18	207,5	195	8	80 NBR B241	24084495	○
190	230	16	210	197	8	80 NBR B241	24093226	○
190	234	20	212	197	8	80 FKM K670	24343975	○
190,5	215,9	15,9	203,2	194,5	8	80 FKM K670	24193482	○
195	235	16	215	202	8	80 NBR B241	24019370	○
200	235	18	217,5	205	8	80 NBR B241	24111691	○
200	240	16	220	207	8	80 FKM K670	24332515	○
200	240	16	220	207	8	80 NBR B241	24019371	○
205	245	16	225	212	10	80 NBR B241	24075437	○
210	245	18	227,5	215	10	80 NBR B241	24111695	○
210	250	16	230	217	10	80 NBR B241	24056190	○
220	255	18	237,5	225	10	80 NBR B241	24109573	○
220	260	16	240	227	10	80 NBR B241	24019373	○
220	260	16	240	227	10	80 FKM K670	24180731	○
225	265	16	245	232	10	80 NBR B241	24076590	○
230	260	15,7	245	235	10	80 NBR B241	24107871	○
230	270	16	250	237	10	80 FKM K670	24260047	○
230	270	16	250	237	10	80 NBR B241	24019374	○
230	280	20	255	238	10	80 NBR B241	24019375	○
235	265	15	250	240	10	80 NBR B241	24082534	○
235	275	16	255	242	10	80 NBR B241	24055526	○
240	275	18	257,5	245	10	80 NBR B241	24084497	○
240	280	16	260	247	10	80 NBR B241	24019376	○
240	290	25	265	248	10	80 FKM K670	24343976	○
245	285	16	265	252	10	80 NBR B241	24019377	○
250	290	16	270	257	10	80 NBR B241	24019378	○
250	294	20	272	257	10	80 NBR B241	24019379	○
260	290	16	275	265	10	80 NBR B241	24019380	○
260	300	18	280	267	10	80 NBR B241	24111702	○
260	304	20	282	267	10	80 NBR B241	24029887	○
270	310	20	290	277	10	80 NBR B241	24084499	○
270	314	20	292	277	10	80 NBR B241	24019381	○

● Available from stock ○ On request: Tool is available, delivery at short notice

Width	D	L	D ₁	D ₂	C	Material	Article No.	
272	304	15,8	288	277	10	80 NBR B241	24107874	○
273,1	317,5	19,1	295,32	280,1	10	80 FKM K670	24088545	○
280	320	16	300	287	10	80 FKM K670	24330886	○
280	320	16	300	287	10	80 NBR B241	24030348	○
280	320	18	300	287	10	80 NBR B241	24084515	○
280	320	20	300	287	10	80 NBR B241	24084500	○
280	324	20	302	287	10	80 FKM K670	24343977	○
280	324	20	302	287	10	80 NBR B241	24019383	○
290	330	20	310	297	10	80 NBR B241	24111392	○
295	339	20	317	302	10	80 NBR B241	24030425	○
298,5	336,5	22	317,5	305,5	10	80 NBR B241	24183955	○
300	340	16	320	307	10	80 NBR B241	24019386	○
300	340	20	320	307	10	80 NBR B241	24019385	○
300	340	20	320	307	10	80 FKM K670	24172753	○
300	344	20	322	307	10	80 NBR B241	24019387	○
305	355	22,5	330	313	10	80 NBR B241	24019389	○
310	354	20	332	317	10	80 NBR B241	24019390	○
311	345	18	328	316	10	80 NBR B241	24019391	○
315	343	14	329	320	10	80 NBR B241	24019392	○
315	355	16	335	322	10	80 NBR B241	24019395	○
317,5	355,6	15,9	336,55	322,5	10	80 NBR B241	24019396	○
320	350	15	335	325	10	80 NBR B241	24056225	○
320	360	18	340	327	10	80 NBR B241	24019397	○
320	360	20	340	327	10	80 NBR B241	24111395	○
320	364	20	342	327	10	80 NBR B241	24019398	○
325	369	20	347	332	10	80 NBR B241	24019399	○
330	374	20	352	337	10	80 NBR B241	24019401	○
340	372	20	356	345	10	80 NBR B241	24224500	○
340	380	20	360	347	10	80 NBR B241	24084501	○
340	384	20	362	347	10	80 NBR B241	24019402	○
350	380	20	365	355	10	80 NBR B241	24093956	○
350	390	20	370	357	10	80 NBR B241	24109577	○
350	394	20	372	357	10	80 NBR B241	24019403	○
355	399	20	377	362	10	80 NBR B241	24107203	○
360	400	20	380	367	10	80 NBR B241	24119489	○
360	404	20	382	367	10	80 NBR B241	24019407	○
362	406	19,5	384	369	10	80 NBR B241	24019408	○
362	406	19,5	384	369	10	80 FKM K670	24230599	○
370	414	20	392	377	10	80 NBR B241	24019409	○
370	420	20	395	378	10	80 NBR B241	24019410	○
374,6	419,1	21,8	396,83	381,6	10	80 NBR B241	24019411	○
380	420	20	400	387	10	80 NBR B241	24197026	○
380	424	20	402	387	10	80 NBR B241	24019413	○
385	429	20	407	392	10	80 NBR B241	24083793	○
385	435	22	410	393	10	80 NBR B241	526464	○
385	435	22	410	393	10	80 NBR B241	24076585	○
390	434	20	412	397	10	80 NBR B241	24019416	○
395	439	20	417	402	10	80 NBR B241	24019417	○
400	440	20	420	407	10	80 NBR B241	24136765	○
400	444	20	422	407	10	80 NBR B241	24056607	○

● Available from stock ○ On request: Tool is available, delivery at short notice

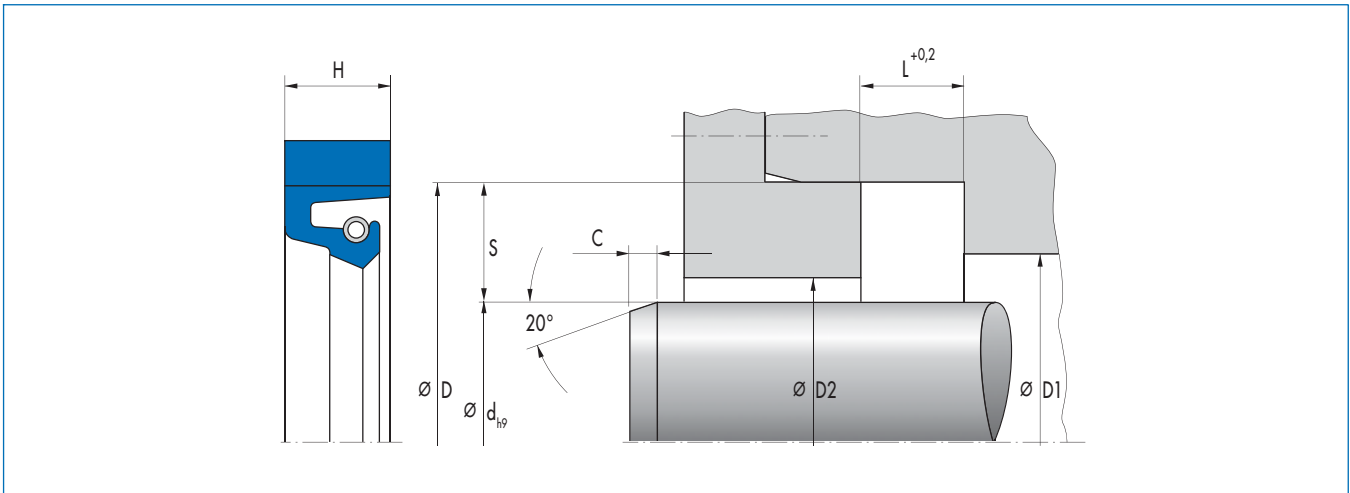


Width	D	L	D ₁	D ₂	C	Material	Article No.	
400	450	20	425	408	10	80 NBR B241	24019418	○
406,4	457,2	20,5	431,8	414,4	10	80 NBR B241	24069922	○
406,4	457,2	20,6	431,8	414,4	10	80 NBR B241	24019419	○
406,4	457,2	23	431,8	414,4	10	80 NBR B241	24019420	○
410	454	20	432	417	10	80 NBR B241	24078041	○
410	460	22	435	418	10	80 NBR B241	24029878	○
415	465	22	440	423	10	80 NBR B241	24019422	○
416	466	21,5	441	424	10	80 NBR B241	24019423	○
420	460	20	440	427	10	80 NBR B241	24074999	○
420	464	20	442	427	10	80 NBR B241	24027234	○
420	470	22	445	428	10	80 NBR B241	24019424	○
430	480	22	455	438	10	80 FKM K670	24335749	○
430	480	22	455	438	10	80 NBR B241	24019425	○
432	470	21,5	451	437	10	80 NBR B241	24096514	○
435	485	22	460	443	10	80 NBR B241	24019427	○
440	480	26	460	447	10	80 NBR B241	24019428	○
440	490	22	465	448	10	80 NBR B241	24019429	○
445	485	18	465	452	10	80 NBR B241	24019430	○
450	500	22	475	458	10	80 NBR B241	24019431	○
450	500	25	475	458	10	80 NBR B241	24084467	○
454	500	18	477	461	10	80 NBR B241	24030097	○
467	510	25	488,5	474	10	80 NBR B241	24019432	○
469,9	520,7	23	495,3	477,9	10	80 NBR B241	24019433	○
480	524	20	502	487	10	80 NBR B241	24027235	○
480	530	22	505	488	10	80 FKM K670	24335750	○
480	530	22	505	488	10	80 NBR B241	24084513	○
485	535	22	510	493	10	80 NBR B241	24019435	○
493	543	26	518	501	10	80 NBR B241	24056443	○
500	544	20	522	507	10	80 NBR B241	24073973	○
500	550	22	525	508	10	80 NBR B241	24019436	○
510	554	19,5	532	517	13	80 NBR B241	24019437	○
510	560	22	535	518	13	80 NBR B241	24237637	○
520	570	22	545	528	13	80 FKM K670	24335752	○
520	570	22	545	528	13	80 FKM K670	24375846	○
520	570	22	545	528	13	80 NBR B241	24019438	○
525	575	22	550	533	13	80 NBR B241	24023845	○

● Available from stock ○ On request: Tool is available, delivery at short notice

Width	D	L	D ₁	D ₂	C	Material	Article No.	
530	580	22	555	538	13	80 NBR B241	24019439	○
535	585	22	560	543	13	80 NBR B241	24056753	○
540	585	18	562,5	547	13	80 NBR B241	24030244	○
540	590	22	565	548	13	80 NBR B241	24224493	○
550	600	23,5	575	558	13	80 NBR B241	24019440	○
560	610	22	585	568	13	80 NBR B241	24019441	○
565	615	22	590	573	13	80 NBR B241	24083897	○
570	620	22	595	578	13	80 NBR B241	24019442	○
580	630	22	605	588	13	80 NBR B241	24019443	○
585	635	22	610	593	13	80 NBR B241	24074892	○
590	640	22	615	598	13	80 NBR B241	24098918	○
600	650	22	625	608	13	80 NBR B241	24083894	○
600	650	22	625	608	13	80 NBR B241	24377650	○
600	660	30	630	610	13	80 NBR B241	24209235	○
610	674	25	642	620	13	80 NBR B241	24019445	○
620	684	25	652	630	13	80 NBR B241	24019446	○
625	655	20	640	630	13	80 NBR B241	24069422	○
636	692	30,5	664	646	13	80 NBR B241	24019447	○
640	684	20	662	647	13	80 NBR B241	24019448	○
640	704	25	672	650	13	80 NBR B241	24079885	○
660	704	20	682	667	13	80 NBR B241	24079888	○
660,4	711,2	25,4	685,8	668,4	13	80 NBR B241	24019449	○
670	734	25	702	680	13	80 NBR B241	24019450	○
680	730	20	705	688	13	80 FKM K670	24335413	○
680	730	20	705	688	13	80 NBR B241	24056485	○
685	737	22	711	693	13	80 NBR B241	24288861	○
690	740	22	715	698	13	80 NBR B241	24109964	○
690	754	25	722	700	13	80 NBR B241	24060652	○
698,5	749,3	22,2	723,9	706,5	13	80 NBR B241	24019451	○
700	764	25	732	710	13	80 NBR B241	24086435	○
710	760	20	735	718	13	80 NBR B241	24080021	○
730	770	20	750	737	13	80 NBR B241	24214616	○
730	794	25	762	740	13	80 NBR B241	24019452	○
735	799	25	767	745	13	80 NBR B241	24019453	○
750	810	25	780	760	13	80 NBR B241	24058322	○
760	800	20	780	767	13	80 NBR B241	24114592	○
760	804	20	782	767	13	80 NBR B241	24027238	○
760	820	25	790	770	13	80 NBR B241	24257072	○
770	834	25	802	780	13	80 NBR B241	24019454	○
776	820	20	798	783	13	80 FKM K670	24335414	○
780	844	25	812	790	13	80 NBR B241	24030498	○
799	860	26	829,5	809	13	80 NBR B241	24023846	○
800	864	25	832	810	13	80 NBR B241	24019456	○
805	869	25	837	815	16	80 NBR B241	24019457	○
830	894	25	862	840	16	80 NBR B241	24130473	○
835	899	25	867	845	16	80 NBR B241	24019458	○
840	904	25	872	850	16	80 NBR B241	24078229	○
860	920	25	890	870	16	80 NBR B241	24130477	○
860	924	25	892	870	16	80 NBR B241	24063681	○
880	940	30	910	890	16	80 NBR B241	24209239	○

● Available from stock ○ On request: Tool is available, delivery at short notice



Width	D	L	D ₁	D ₂	C	Material	Article No.	
880	944	25	912	890	16	80 NBR B241	24019459	○
890	954	25	922	900	16	80 NBR B241	24023847	○
900	960	27	930	910	16	80 NBR B241	24177298	○
910	974	25	942	920	16	80 NBR B241	24019460	○
930	994	25	962	940	16	80 NBR B241	24027236	○
950	1014	25	982	960	16	80 NBR B241	24266520	○
955	1019	25	987	965	16	80 NBR B241	24300376	○
970	1034	25	1002	980	16	80 NBR B241	24019462	○
1000	1060	30	1030	1010	16	80 NBR B241	24209243	○
1000	1064	25	1032	1010	16	80 NBR B241	24109960	○
1020	1084	25	1052	1030	16	80 NBR B241	24019464	○
1060	1124	25	1092	1070	16	80 NBR B241	24121892	○
1110	1174	25	1142	1120	16	80 NBR B241	24060654	○
1130	1194	25	1162	1140	16	80 NBR B241	24065116	○
1175	1239	25	1207	1185	16	80 NBR B241	524751	○
1200	1264	25	1232	1210	16	80 NBR B241	24027475	○
1435	1499	25	1467	1445	20	80 NBR B241	24121165	○
1480	1544	25	1512	1490	20	80 NBR B241	24052248	○

● Available from stock ○ On request: Tool is available, delivery at short notice

Simmerring Radiamatic® R 36

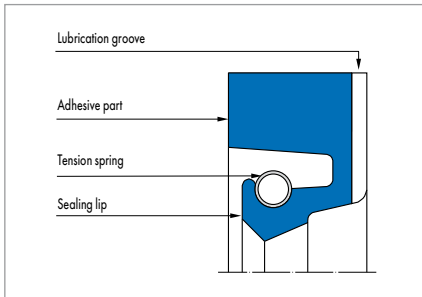


Fig. 1 Simmerring Radiamatic® R 36

Product description

Simmerring with a fabric reinforced static part that is securely joined to the elastomer sealing lip. The sealing lip is also pre-loaded with a garter spring.

Product advantages

Sealing ring is used, in case of adequate lubrication by the medium to be sealed, preferably where shafts pass through walls in mills and large gearboxes in heavy machinery manufacture.

- Particularly robust static part
- Lasting radial contact pressure
- Highly wear-resistant
- With design measures, e.g., metal support for the sealing lip, higher pressures are possible
- Overpressure requires the usage of endless seals
- Back-up ring drawings and installation instructions for open seals are available.

Application

Mills, ship building, steel hydraulics engineering, wind power plants.

Material

Sealing lip	Static part	Tension spring
80 NBR B241	Impregnated cotton fabric B4 B248	ST 1.4571
80 FKM K670	Impregnated aramide fabric	ST 1.4571
75 HNBR U467	Impregnated aramide fabric C2 U464	ST 1.4571

Operating conditions

Material	80 NBR B241	80 FKM K670	75 HNBR U467
	Temperature range in °C		
Mineral oils	-30 ... +100	-10 ... +180	-20 ... +140
Water	+5 ... +100	+5 ... +80	+5 ... +100
Lubricating greases	-30 ... +100	-10 ... +180	-20 ... +140
Rolling oil emulsion	on enquiry		
Pressure p in MPa	0,05		
Running speed v in m/s	20	25	250

Other media on enquiry. Application parameters are recommended values, do not utilise all parameters simultaneously.

Surface quality

Peak-to-valley heights	R _a	R _{max}
Running surface	≤0,6 µm	≤2,5 µm
Housing	≤4 µm	≤15 µm

The contact area is machined by plunge grinding, i.e. without feed. The surface hardness must be approx. 60 HRC (depth of hardening min. 0,5 mm). With increasing circumferential speed the contact area should be manufactured with increasing peak-to-valley heights R_a. The surface should not be too smooth so that an adequate film of lubricant can form. Recommended value: R_{a min} = 0,1 µm. Percentage contact area M_r >50% to max. 90% at cutting depth c = Rz/2 and reference line C ref = 0%. Abrasive surfaces, ridges, scratches and blow-holes are to be avoided.

Design notes

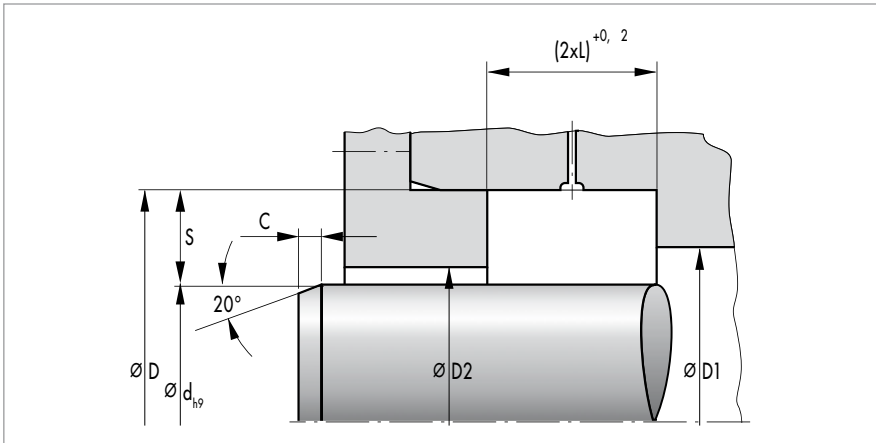


Fig. 2

Lead-in chamfers

See dimension "C" in the article list.

Tolerances

D	Tolerance
<500	H8
>500	+0,0004 x D

Overall eccentricity

The permissible overall eccentricity (static and dynamic eccentricity) between shaft and housing is dependent on the seal profile and circumferential speed. If necessary, we will provide recommended values.

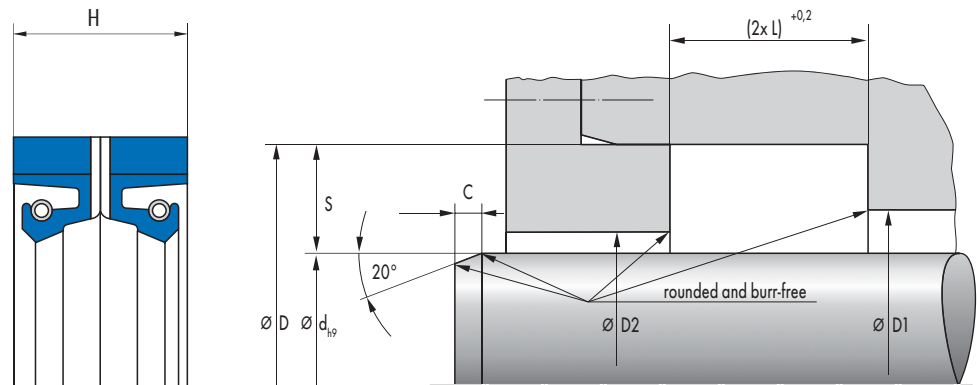
Housing recommendations for new designs

d	S (Profile)	L
>100	20	16
>250	22	20
<450	25	22
>750	32	25

Fitting & installation

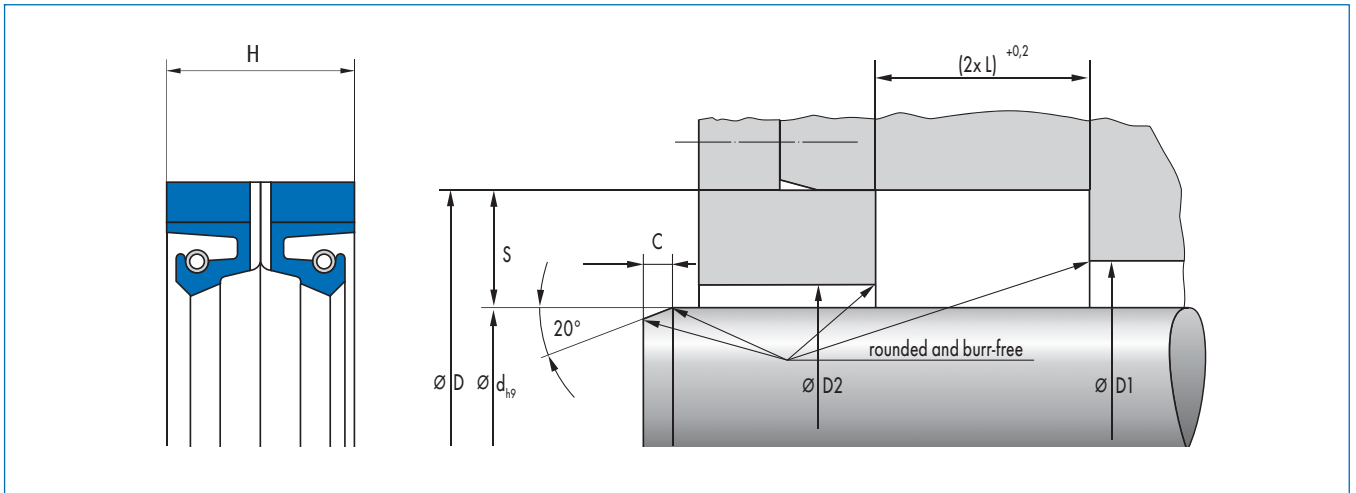
For Simmerring Radiamatic R 36 an axially accessible housing is necessary, as the rings must have low inclination. The Radiamatic R 36 rings are supplied with oversize seal width. For reliable function the Radiamatic R rings must be axially compressed to the dimension "L". An open housing with cover plate and tightening screws is necessary. Specific deformation forces are necessary for the compression. The cover plate and the tightening screws are to be designed appropriately. Please request recommended values.

Article list



Width	D	L	D ₁	D ₂	C	Material	Article No.	
156	196	16	176	163	8	80 NBR B241	24060486	○
200	240	16	220	207	8	80 NBR B241	24292849	○
220	260	16	240	227	10	80 NBR B241	24145056	○
260	290	16	275	265	10	80 NBR B241	24019466	○
275	319,5	19	297,25	282	10	80 NBR B241	24120742	○
280	320	16	300	287	10	80 NBR B241	24119507	○
320	355	16	337,5	325	10	80 NBR B241	24019468	○
330	374	20	352	337	10	80 NBR B241	24088367	○
335	375	15	355	342	10	80 NBR B241	24060450	○
350	394	20	372	357	10	80 NBR B241	24099447	○
380	424	20	402	387	10	80 NBR B241	24019469	○
400	440	21,9	420	407	10	80 NBR B241	24136768	○
400	450	22	425	408	10	80 NBR B241	24054744	○
400,1	438,2	19,1	419,15	405,1	10	80 NBR B241	24019470	○
430	480	22	455	438	10	80 NBR B241	24019471	○
445	495	22	470	453	10	80 NBR B241	24019472	○
460	510	22	485	468	10	80 NBR B241	24019473	○
470	520	22	495	478	10	80 NBR B241	24019474	○
515	565	22	540	523	13	80 NBR B241	24019475	○
570	620	22	595	578	13	80 NBR B241	24054745	○
592	642	22	617	600	13	80 NBR B241	24019476	○
610	660	22	635	618	13	80 NBR B241	24077194	○
625	689	25	657	635	13	80 NBR B241	24054746	○
650	700	22	675	658	13	80 NBR B241	24019477	○
650	714	25	682	660	13	80 NBR B241	24019478	○
676	740	25	708	686	13	80 NBR B241	24019480	○
710	760	25	735	718	13	80 NBR B241	24019481	○
710	774	25	742	720	13	80 NBR B241	24095916	○
735	799	25	767	745	13	80 NBR B241	24075431	○
820	884	28	852	830	16	80 NBR B241	24019482	○
830	894	28	862	840	16	80 NBR B241	24019483	○
835	894	28	864,5	845	16	80 NBR B241	24340276	○
840	904	28	872	850	16	80 NBR B241	24056636	○
850	910	25	880	860	16	80 NBR B241	24019484	○
1020	1084	25	1052	1030	16	80 NBR B241	24059867	○

● Available from stock ○ On request: Tool is available, delivery at short notice



Width	D	L	D ₁	D ₂	C	Material	Article No.	
1100	1160	25	1130	1110	16	80 NBR B241	24019487	○

● Available from stock ○ On request: Tool is available, delivery at short notice

Simmerring Radiamatic® R 37

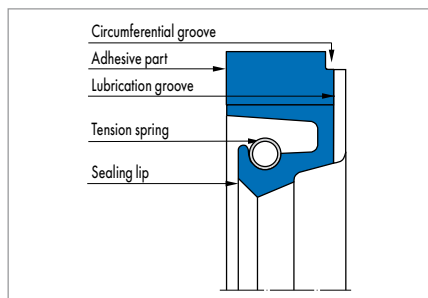


Fig. 1 Simmerring Radiamatic® R 37

Product description

Simmerring with a fabric reinforced static part that is securely joined to the elastomer sealing lip. The sealing lip is also pre-loaded with a garter spring.

Product advantages

Sealing ring is used, in case of adequate lubrication by the medium to be sealed, preferably where shafts pass through walls in mills and large gearboxes in heavy machinery manufacture.

- Particularly robust static part
- Lasting radial contact pressure
- Highly wear-resistant.

Application

Mills, ship building, steel hydraulics engineering, wind power plants.

Material

Sealing lip	Static part	Tension spring
80 NBR B241	Impregnated cotton fabric B4 B248	ST 1.4571
80 FKM K670	Impregnated aramide fabric C2K670	ST 1.4571
75 HNBR U467	Impregnated aramide fabric C2U464	ST 1.4571

Operating conditions

Material	80 NBR B241	80 FKM K670	75 HNBR U467
	Temperature range in °C		
Mineral oils	-30 ... +100	-10 ... +180	-20 ... +140
Water	+5 ... +100	+5 ... +80	+5 ... +100
Lubricating greases	-30 ... +100	-10 ... +180	-20 ... +140
Rolling oil emulsion	on enquiry		
Pressure p in MPa	0,05		
Running speed v in m/s	20	25	250

Other media on enquiry. Application parameters are recommended values, do not utilise all parameters simultaneously.

Surface quality

Peak-to-valley heights	R _a	R _{max}
Running surface	≤0,6 µm	≤2,5 µm
Housing	≤4 µm	≤15 µm

The contact area is machined by plunge grinding, i.e. without feed. The surface hardness must be approx. 60 HRC (depth of hardening min. 0,5 mm). With increasing circumferential speed the contact area should be manufactured with increasing peak-to-valley heights R_a. The surface should not be too smooth so that an adequate film of lubricant can form. Recommended value: R_{a min} = 0,1 µm. Percentage contact area M_v >50% to max. 90% at cutting depth c = Rz/2 and reference line C ref = 0%. Abrasive surfaces, ridges, scratches and blow-holes are to be avoided.

Design notes

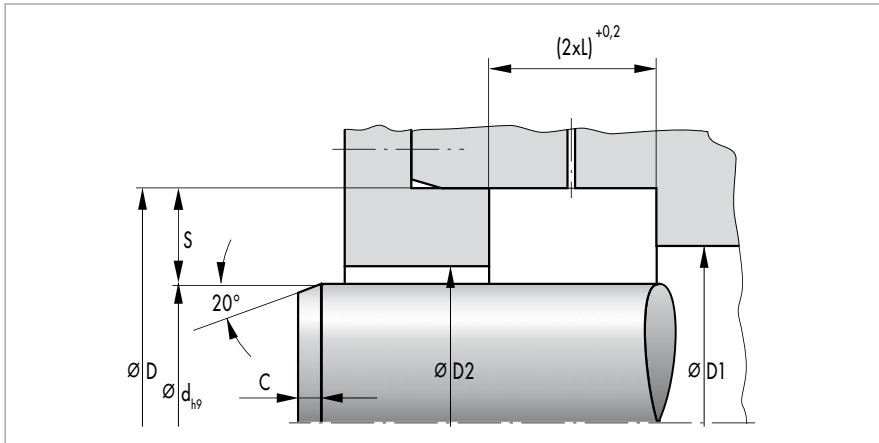


Fig. 2

Lead-in chamfers

See dimension "C" in the article list.

Tolerances

D	Tolerance
<500	H8
>500	+0,0004 x D

Overall eccentricity

The permissible overall eccentricity (static and dynamic eccentricity) between shaft and housing is dependent on the seal profile and circumferential speed. If necessary, we will provide recommended values.

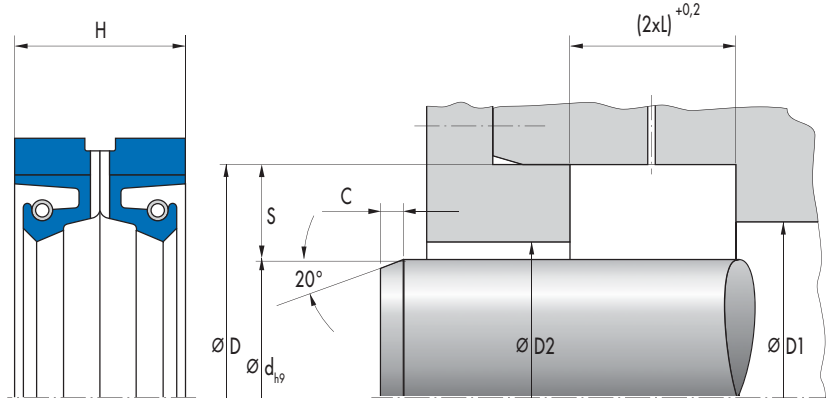
Housing recommendations for new designs

d	S (Profile)	L
>100	20	16
>250	22	20
<450	25	22
>750	32	25

Fitting & installation

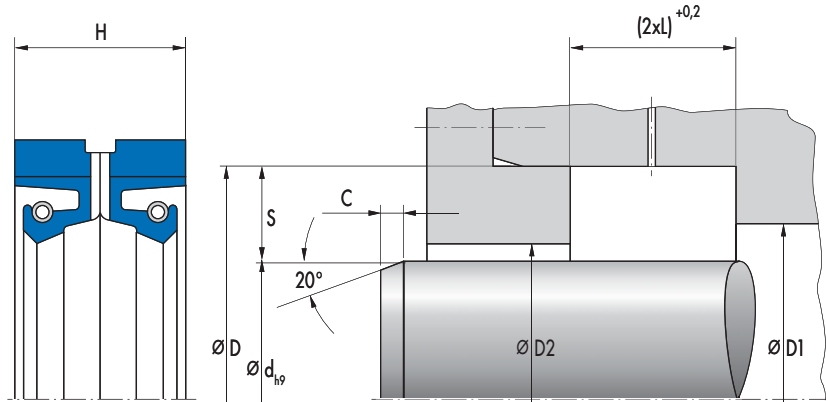
For Simmerring Radiamatic R 37 an axially accessible housing is necessary, as the rings must have low inclination. The Radiamatic R 37 rings are supplied with oversize seal width. For reliable function the Radiamatic R rings must be axially compressed to the dimension "L". An open housing with cover plate and tightening screws is necessary. Specific deformation forces are necessary for the compression. The cover plate and the tightening screws are to be designed appropriately. Please request recommended values.

Article list



Width	D	L	D ₁	D ₂	C	Material	Article No.	
101,6	133,3	11,9	117,45	106,6	8	80 NBR B241	24019488	○
127	158,8	12,3	142,9	134	8	80 NBR B241	24084424	○
127	158,8	12,5	142,9	134	8	80 FKM K670	24316571	○
132,5	172,5	16	152,5	139,5	8	80 NBR B241	24102306	○
133	165	12,5	149	138	8	80 NBR B241	24029891	○
160	190	14,3	175	165	10	80 NBR B241	24233697	○
160	200	18	180	167	10	80 NBR B241	24019489	○
170	200	13	185	175	10	80 NBR B241	24039649	○
170	210	18	190	177	10	80 NBR B241	24128280	○
175	205	14,5	190	180	10	80 NBR B241	24242046	○
175	215	16	195	182	10	80 NBR B241	24027243	○
180	210	14	195	185	10	80 NBR B241	24051648	○
185	225	16	205	192	10	80 FKM K670	24264958	○
195	225	14,5	210	200	10	80 NBR B241	24242055	○
200	230	14	215	205	10	80 FKM K670	24292790	○
200	230	14	215	205	10	80 NBR B241	24051248	○
220	250	16	235	225	10	80 NBR B241	24051448	○
220	260	16	240	227	10	80 NBR B241	24035849	○
230	260	16	245	235	10	80 NBR B241	24234870	○
230	270	16	250	237	10	80 NBR B241	24181867	○
230	280	22,5	255	238	10	80 NBR B241	24019490	○
235	265	15	250	240	10	80 NBR B241	24339504	○
245	285	16	265	252	10	80 NBR B241	24352034	○
250	280	16	265	255	10	80 NBR B241	24051548	○
250	290	16	270	257	10	80 NBR B241	24035749	○
260	300	14	280	267	10	80 NBR B241	24051348	○
270	310	18	290	277	10	80 NBR B241	24030228	○
275	315	18	295	282	10	80 NBR B241	24142291	○
290	334	20	312	297	10	80 NBR B241	24052348	○
292,1	330,2	19,4	312,65	299,1	10	80 NBR B241	24180004	○
300	340	16	320	307	10	80 NBR B241	24230747	○
300	344	20	322	307	10	80 NBR B241	24055100	○
320	360	17,7	340	327	10	80 NBR B241	24141749	○
320	364	20	342	327	10	80 NBR B241	24237636	○
325	375	22,5	350	333	10	80 NBR B241	24019493	○

● Available from stock ○ On request: Tool is available, delivery at short notice



Width	D	L	D ₁	D ₂	C	Material	Article No.	
330	374	20	352	337	10	80 NBR B241	24143075	○
330,2	368,3	22,2	349,25	337,2	10	80 NBR B241	24170623	○
345	389	20	367	352	10	80 NBR B241	24143071	○
350	394	20	372	357	10	80 NBR B241	24264183	○
350	394	20	372	357	10	80 FKM K670	24292794	○
360	404	20	382	367	10	80 NBR B241	24090860	○
370	414	20	392	377	10	80 NBR B241	24183874	○
370	414	20	392	377	10	80 FKM K670	24302799	○
380	424	20	402	387	10	80 NBR B241	24143083	○
387	431	22	409	394	10	80 NBR B241	24019494	○
395	439	22	417	402	10	80 NBR B241	24030420	○
400	444	20	422	407	10	80 NBR B241	24090862	○
400	450	22	425	408	10	80 NBR B241	24085941	○
420	470	22	445	428	10	80 NBR B241	24019496	○
430	480	22	455	438	10	80 NBR B241	24019497	○
435	485	22	460	443	10	80 NBR B241	24080564	○
440	490	28	465	448	10	80 NBR B241	24080542	○
445	485	18	465	452	10	80 NBR B241	24316607	○
446	486	16	466	453	10	80 NBR B241	24055680	○
454	504,8	21	479,4	462	10	80 NBR B241	24023848	○
455	505	25	480	463	10	80 NBR B241	24019499	○
470	520	22	495	478	10	80 NBR B241	24030349	○
480	530	22	505	488	10	80 NBR B241	24346715	○
480	530	25	505	488	10	80 NBR B241	24019500	○
500	545	20	522,5	507	10	80 NBR B241	24073136	○
500	550	22	525	508	10	80 FKM K670	24351569	○
500	550	22	525	508	10	80 NBR B241	24029886	○
530	580	22	555	538	13	80 FKM K670	24330883	○
530	580	22	555	538	13	80 NBR B241	24079020	○
535	585	22	560	543	13	80 NBR B241	24377408	○
540	590	22	565	548	13	80 NBR B241	24027244	○
540	590	25	565	548	13	80 NBR B241	24019502	○
560	604	20	582	567	13	80 NBR B241	24019503	○
560	610	22	585	568	13	80 FKM K670	24142097	○
565	615	22	590	573	13	80 NBR B241	24377407	○
580	630	22	605	588	13	80 NBR B241	24241448	○

● Available from stock ○ On request: Tool is available, delivery at short notice

Width	D	L	D ₁	D ₂	C	Material	Article No.	
590	640	22	615	598	13	80 NBR B241	24029885	○
596	652	29,5	624	606	13	80 NBR B241	24030419	○
600	650	22	625	608	13	80 NBR B241	24092311	○
609,6	660,4	22	635	617,6	13	80 NBR B241	24183145	○
616	666,8	22	641,4	624	13	80 NBR B241	24296689	○
620	684	25	652	630	13	80 NBR B241	24173794	○
640	684	20	662	647	13	80 NBR B241	24019505	○
650	714	25	682	660	13	80 NBR B241	24019506	○
660	700	18	680	667	13	80 NBR B241	24147946	○
670	714	22	692	677	13	80 NBR B241	24019507	○
680	730	22	705	688	13	80 NBR B241	24143002	○
685,8	749,3	25	717,55	695,8	13	80 NBR B241	24179979	○
700	750	25	725	708	13	80 NBR B241	24144899	○
710	760	25	735	718	13	80 NBR B241	24030492	○
710	774	25	742	720	13	80 NBR B241	24138786	○
720	780	25	750	730	13	80 NBR B241	24138770	○
720	780	25	750	730	13	80 FKM K670	24335751	○
735	799	25	767	745	13	80 FKM K670	24335411	○
750	814	25	782	760	13	80 NBR B241	24239267	○
750	814	28	782	760	13	80 NBR B241	24019508	○
760	804	20	782	767	13	80 NBR B241	24092067	○
775	839	25	807	785	13	80 NBR B241	24078227	○
780	820	17,7	800	787	13	80 NBR B241	24141753	○
780	844	25	812	790	13	80 NBR B241	24102054	○
800	864	25	832	810	13	80 NBR B241	24139749	○
810	874	25	842	820	16	80 NBR B241	24019509	○
820	870	25	845	828	16	80 NBR B241	24138778	○
860	920	22	890	870	16	80 FKM K670	24260998	○
860	920	22	890	870	16	80 NBR B241	24019510	○
870	930	27	900	880	16	80 NBR B241	24077687	○
870	934	25	902	880	16	80 NBR B241	24030422	○
880	944	25	912	890	16	80 NBR B241	24039949	○
970	1030	21,5	1000	980	16	80 NBR B241	24019511	○
985	1045	24,5	1015	995	16	80 NBR B241	24066979	○
1080	1140	25	1110	1090	16	80 FKM K670	24335407	○
1220	1284	25	1252	1230	20	80 NBR B241	24060650	○
1250	1314	25	1282	1260	20	80 FKM K670	24215196	○
1250	1314	25	1282	1260	20	80 NBR B241	24090489	○
1330	1394	25	1362	1340	20	80 NBR B241	24290261	○
1608,5	1670	20	1639,25	1618	20	80 NBR B241	24055983	○
1610	1670	20	1640	1620	20	80 NBR B241	24027477	○
1740	1800	20	1770	1750	20	80 NBR B241	24055944	○

● Available from stock ○ On request: Tool is available, delivery at short notice

Simmerring Radiamatic® R 58

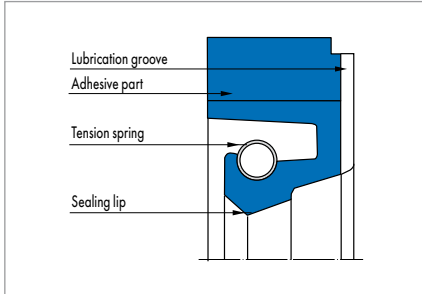


Fig. 1 Simmerring Radiamatic® R 58

Product description

Simmerring with a fabric reinforced static part that is securely joined to the elastomer sealing lip. The sealing lip is also pre-loaded with a garter spring.

Product advantages

The sealing ring has a groove around the circumference to facilitate additional lubrication from the outside. The Simmerring Radiamatic R 58 was developed for the special requirements of grease-lubricated bearings in mill manufacture.

- Particularly robust static part
- Lasting radial contact pressure
- Highly wear-resistant.

Application

Mills.

Material

Sealing lip	Static part	Tension spring
80 NBR B241	Impregnated cotton fabric B4 B248	ST 1.4571

Other materials on enquiry.

Operating conditions

Material	80 NBR B241
	Temperature range in °C
Mineral oils	-30 ... +100
Water	+5 ... +100
Lubricating greases	-30 ... +100
Rolling oil emulsion	on enquiry
Pressure p in MPa	0,05
Running speed v in m/s	15

Other media on enquiry. Application parameters are recommended values, do not utilise all parameters simultaneously.

Surface quality

Peak-to-valley heights	R _a	R _{max}
Running surface	≤0,6 µm	≤2,5 µm
Housing	≤4 µm	≤15 µm

The contact area is machined by plunge grinding, i.e. without feed. The surface hardness must be approx. 60 HRC (depth of hardening min. 0,5 mm). With increasing circumferential speed the contact area should be manufactured with increasing peak-to-valley heights R_a. The surface should not be too smooth so that an adequate film of lubricant can form. Recommended value: R_{a min} = 0,1 µm. Percentage contact area M_v >50% to max. 90% at cutting depth c = Rz/2 and reference line C ref = 0%. Abrasive surfaces, ridges, scratches and blow-holes are to be avoided.

Design notes

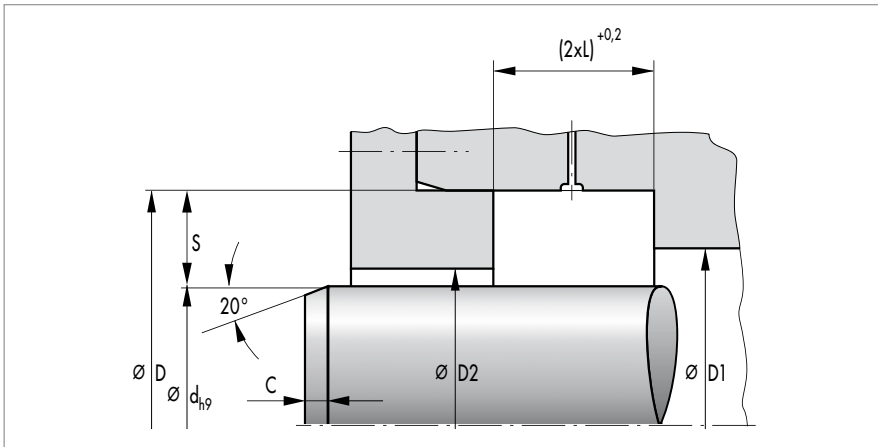


Fig. 2

Lead-in chamfers

See dimension "C" in the article list.

Tolerances

D	Tolerance
<500	H8
>500	+0,0004 x D

Overall eccentricity

The permissible overall eccentricity (static and dynamic eccentricity) between shaft and housing is dependent on the seal profile and circumferential speed. If necessary, we will provide recommended values.

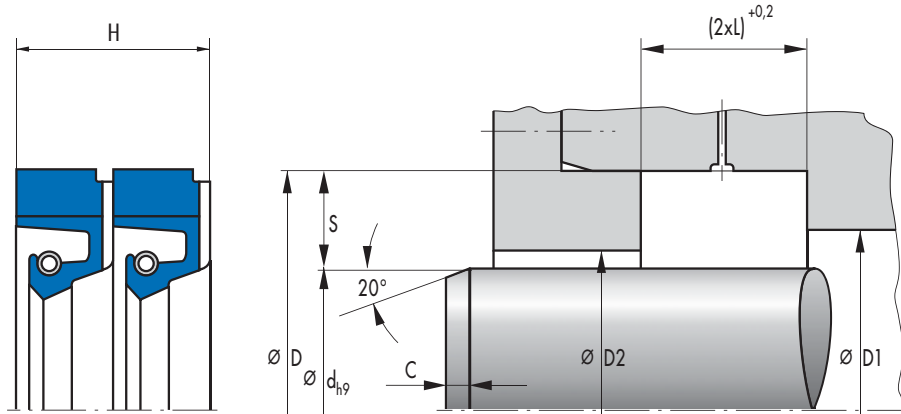
Housing recommendations for new designs

d	S (Profile)	L
>100	20	16
>250	22	20
<450	25	22
>750	32	25

Fitting & installation

For Simmerring Radiamatic R 58 an axially accessible housing is necessary, as the rings must have low inclination. The Radiamatic R 58 rings are supplied with oversize seal width. For reliable function the Radiamatic R rings must be axially compressed to the dimension "L". An open housing with cover plate and tightening screws is necessary. Specific deformation forces are necessary for the compression. The cover plate and the tightening screws are to be designed appropriately. Please request recommended values.

Article list



Width	D	L	D ₁	D ₂	C	Material	Article No.	
345	389	20	367	352	10	80 NBR B241	24330193	○
360	404	20	382	367	10	80 NBR B241	24349035	○
400	444	20	422	407	10	80 NBR B241	24349036	○
430	480	22	455	438	10	80 NBR B241	24349033	○
435	485	22	460	443	10	80 NBR B241	24313903	○
440	480	20	465	438	10	80 NBR B241	24351547	○
440	490	28	465	448	10	80 NBR B241	24330194	○
455	505	22	480	463	10	80 NBR B241	24378064	○
455	505	22	480	463	10	75 NBR B244	24346279	○
480	530	25	505	488	10	80 NBR B241	24313904	○
485	535	22	510	493	10	80 NBR B241	24313920	○
500	550	22	525	508	10	80 NBR B241	24315279	○
525	575	22	550	533	13	80 NBR B241	24313919	○
530	580	22	555	538	13	80 NBR B241	24315505	○
550	600	22	575	558	13	80 NBR B241	24315506	○
560	604	20	582	567	13	80 NBR B241	24349034	○
560	610	22	585	568	13	80 NBR B241	24315507	○
620	684	25	652	630	13	80 NBR B241	24315278	○
750	814	28	782	760	13	80 NBR B241	24315280	○
880	944	25	912	890	16	80 NBR B241	24315287	○

● Available from stock ○ On request: Tool is available, delivery at short notice

Simmerring Radiamatic® R 35 LD

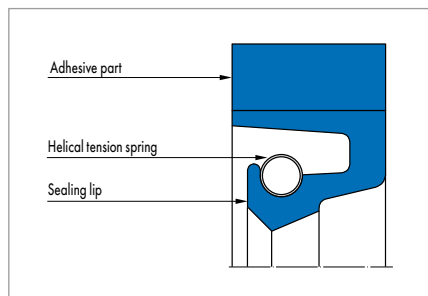


Fig. 1 Simmerring Radiamatic® R 35 LD

Product description

Simmerring with a fabric reinforced static part that is securely joined to the elastomer sealing lip. The sealing lip is also pre-loaded with a garter spring.

Product advantages

Sealing ring is used, in case of adequate lubrication by the medium to be sealed, preferably where shafts pass through walls in mills and large gearboxes in heavy machinery manufacture.

- Particularly robust static part
- Lasting radial contact pressure
- Highly wear-resistant.

Higher pressures are possible with design measures, e.g. metal support for the sealing lip. Overpressure requires the usage of endless seals. Back-up ring drawings and installation instructions for open seals are available.

Application

Mills, ship building.

Material

Sealing lip	Static part	Tension spring
80 NBR B241	Impregnated cotton fabric B4 B248	ST 1.4571
70 HNBR U467	Impregnated cotton fabric C2 U464	ST 1.4571

Operating conditions

Material	80 NBR B241	75 HNBR U467
	Temperature range in °C	
Mineral oils	-30 ... +100	-20 ... +140
Water	+5 ... +100	+5 ... +100
Lubricating greases	-30 ... +100	-20 ... +140
Rolling oil emulsion	on enquiry	
Pressure p in MPa	0,05	
Running speed v in m/s	20 (NBR), 25 (HNBR)	

Other media on enquiry. Application parameters are recommended values, do not utilise all parameters simultaneously.

Surface quality

Peak-to-valley heights	R _a	R _{max}
Running surface	≤0,6 µm	≤2,5 µm
Housing	≤4,0 µm	≤15,0 µm

The contact area is machined by plunge grinding, i.e. without feed. The surface hardness must be approx. 60 HRC (depth of hardening min. 0,5 mm). With increasing circumferential speed the contact area should be manufactured with increasing peak-to-valley heights R_a. The surface should not be too smooth so that an adequate film of lubricant can form. Recommended value: R_{a min} = 0,1 µm. Percentage contact area M_p >50% to max. 90% at cutting depth c = Rz/2 and reference line C ref = 0%. Abrasive surfaces, ridges, scratches and blow-holes are to be avoided.

Design notes

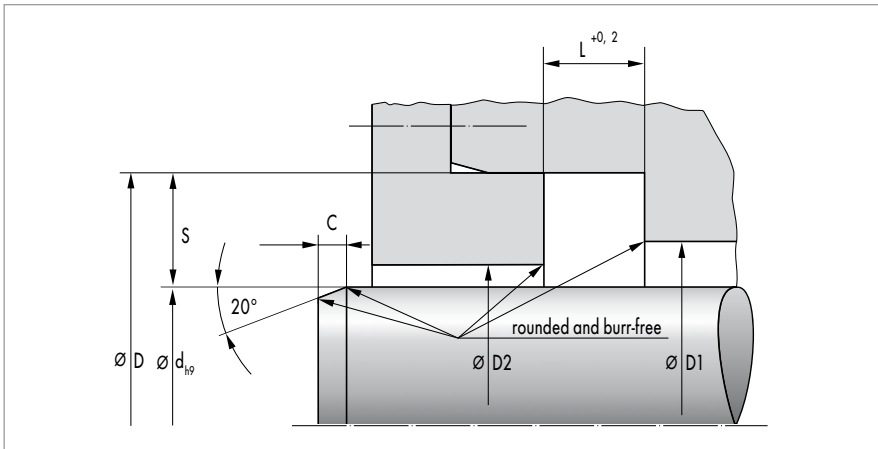


Fig. 2

Available dimensions

Profile S x L	Ø range
32 x 25	d > 1100 ... 3000

Simmerring Radiamatic® RS 85

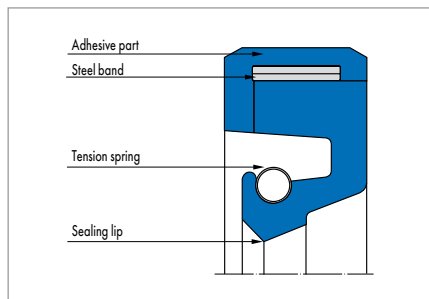


Fig. 1 Simmerring Radiamatic® RS 85

Product description

Self-holding Simmerring made from two functionally suitable elastomer components and an integrated steel strip. The tension springs support the radial contact pressure on the shaft.

Product advantages

Self-holding Simmerring for shaft pass through walls in heavy machinery manufacture.

- Long-lasting tight fit
- Lasting radial contact pressure
- Highly wear-resistant.

An axially accessible housing is necessary for the fitting. The non-pressurised side of the sealing ring is to be reinforced for pressurisation. In the unpressurised state, an axial reinforcement on the non-pressurised side is not necessary. Only endless self-holding Simmerrings Radiamatic RS 85 are available.

Application

Rolling mills, large gearboxes.

Material

Sealing lip	Static part	Steel strip	Tension spring
80 NBR B241	85 NBR B247	ST 1.4310	ST 1.4571
75 HNBR U467	85 HNBR 10040	ST 1.4310	ST 1.4571
80 FKM K670	90 FKM K683	ST 1.4310	ST 1.4571

Operating conditions

Material	80 NBR B241	75 HNBR U467	80 FKM K670
	Temperature range in °C		
Mineral oils	-30 ... +100	-20 ... +140	-10 ... +180
Water	+5 ... +100	+5 ... +100	+5 ... +80
Lubricating greases	-30 ... +100	-20 ... +140	-10 ... +180
Rolling oil emulsion	on enquiry		
Pressure p in MPa	0,05		
Running speed v in m/s	20	25	25

Other media on enquiry. Application parameters are recommended values, do not utilise all parameters simultaneously.

Surface quality

Peak-to-valley heights	R _a	R _{max}
Running surface	≤0,6 µm	≤2,5 µm
Housing	≤4,0 µm	≤15,0 µm

The contact area is machined by plunge grinding, i.e. without feed. The surface hardness must be approx. 60 HRC (depth of hardening min. 0,5 mm). With increasing circumferential speed, the contact area should be manufactured with increasing peak-to-valley heights R_z. The surface should not be too smooth so that an adequate film of lubricant can form. Recommended value: R_{a min} = 0,1 µm. Percentage contact area M_r >50% to max. 90% at cutting depth c = Rz/2 and reference line C ref = 0%. Abrasive surfaces, ridges, scratches and blow-holes are to be avoided.

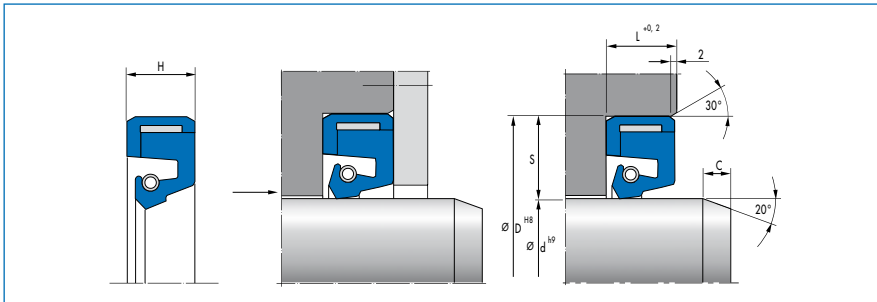
Design notes

Please observe our general design notes in → Technical Manual.

Fitting & installation

Careful fitting is a prerequisite for the correct function of the seal. → Technical Manual.

Housing recommendations for new designs



Ø d	S (Profile)	L	a
200 ... 450	20	20	4
	22	20	4
>450 ... 750	22	22	4
	25	22	4
>750	25	25	5
	30	25	5
	32	25	5

Lead-in chamfer

Ø d	c
<200	8
>200 ... 500	10
>500 ... 800	13
>800 ... 1200	16
>1200	20

Simmerring Radiamatic® RHS 51

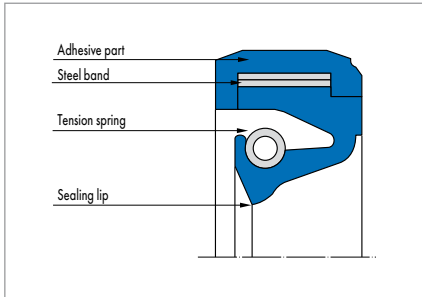


Fig. 1 Simmerring Radiamatic® RHS 51

Product description

High-speed Simmerring made from two functionally suitable elastomer components and an integrated steel strip. Two interleaved tension springs ensure an even radial force over the entire circumference length of the sealing edge even with high shaft centre offset.

Product advantages

Self-holding Simmerring for shaft pass through walls in mills and large gearboxes in heavy machinery manufacture. The sealing ring has radial grooves to facilitate additional lubrication from outside. Only endless self-holding Simmerrings are available

- Long-lasting tight fit
- Lasting radial contact pressure
- Highly wear-resistant
- High permissible shaft offset
- High permissible circumferential speed.

Application

Rolling mills, large gearboxes.

Material

Sealing lip	Static part	Steel strip	Tension spring
80 NBR B241	85 NBR B247	ST 1.4310	ST 1.4571
75 HNBR U467	85 HNBR 10040	ST 1.4310	ST 1.4571
80 FKM K670	90 FKM K683	ST 1.4310	ST 1.4571

Operating conditions

Material	80 NBR B241	75 HNBR U467	80 FKM K670
	Temperature range in °C		
Mineral oils	-30 ... +100	-20 ... +120	-10 ... +150
Water	+5 ... +100	+5 ... +100	+5 ... +80
Lubricating greases	-30 ... +100	-20 ... +120	-10 ... +150
Rolling oil emulsion	on enquiry		
Pressure p in MPa	0,02		
Running speed v in m/s	25	30	35

Other media on enquiry. Application parameters are recommended values, do not utilise all parameters simultaneously.

Surface quality

Peak-to-valley heights	R _a	R _{max}
Running surface	0,15 ... 0,3 µm	≤2,5 µm
Housing	≤4,0 µm	≤15,0 µm

The contact area is machined by plunge grinding, i.e. without feed. The surface hardness must be approx. 60 HRC (depth of hardening min. 0,5 mm). With increasing circumferential speed the contact area should be manufactured with increasing peak-to-valley heights R_a. The surface should not be too smooth so that an adequate film of lubricant can form. Recommended value: R_{a min} = 0,1 µm. Percentage contact area M_r >50% to max. 90% at cutting depth c = Rz/2 and reference line C ref = 0%. Abrasive surfaces, ridges, scratches and blow-holes are to be avoided.

Design notes

The permissible shaft offset (static eccentricity, centre offset) is dependent on the shaft diameter.

Shaft Ø d	Permissible shaft offset
200 ... 320	2,0 mm
>320 ... 450	2,5 mm
>450	3,0 mm

The permissible shaft offset (dynamic eccentricity) is dependent on the seal profile and the circumferential speed. Please request recommended values.

Lead-in chamfer

See dimension "C" in the housing recommendations for new designs.

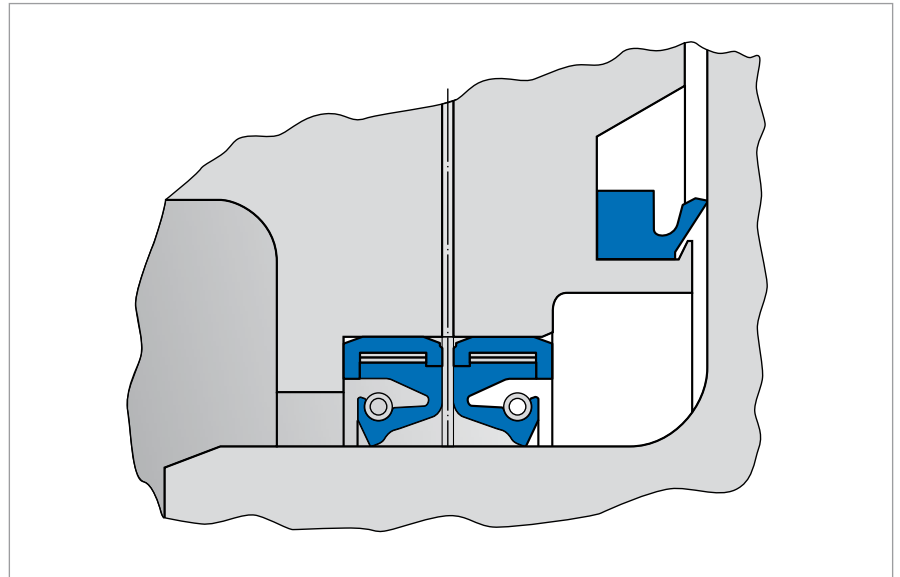
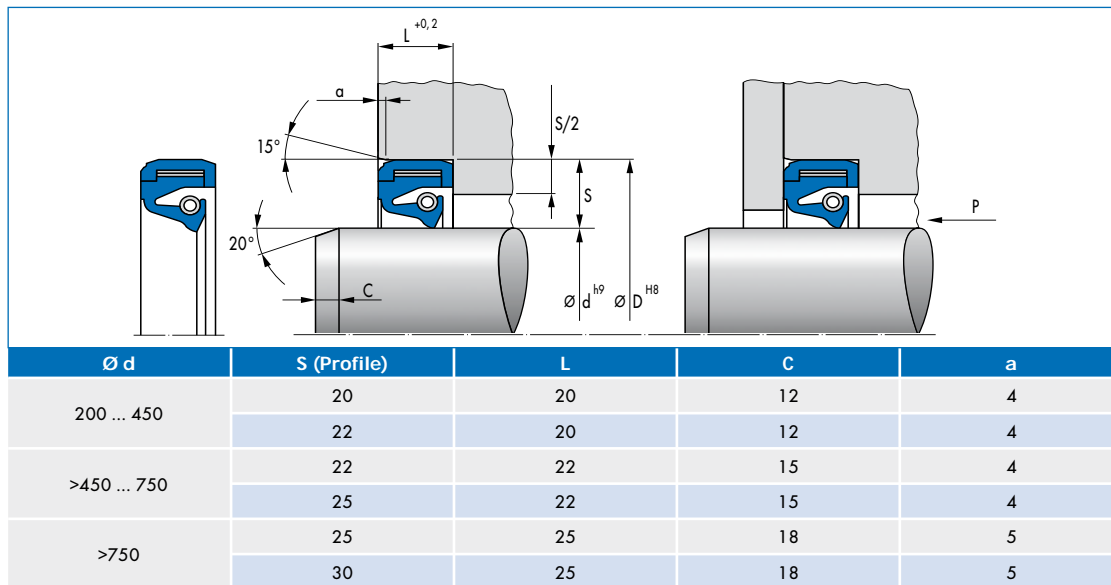


Fig. 2 Typical seal arrangement

Fitting & installation

An axially accessible housing is necessary for the fitting of the Simmerring Radiamatic RHS 51. Only endless self-holding Simmerrings Radiamatic RHS 51 are available.

Housing recommendations for new designs



Simmerring Modular Sealing Component (MSC 01, MSC 02)

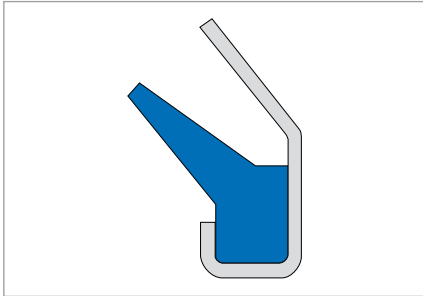


Fig. 1 Simmerring MSC 01

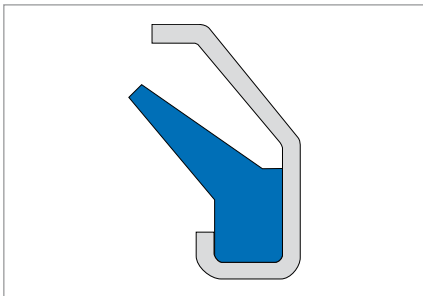


Fig. 2 Simmerring MSC 02

Product description

- Outer casing: metal housing
- Dust lip without spring.

Product advantages

- Simple proven sealing component for secondary applications
- As a seal against grease
- As additional seal against moderate to medium dust and dirt ingress
- Can be used as part of the Simmerring Modular Sealing Solution (MSS).

Application

- Power tools
- Industrial gearboxes
- Pumps.

Material

Acrylonitrile-butadiene rubber

Code	80 NBR 177458
Colour	Black
Hardness	80 Shore A

Fluoro elastomer

Code	80 FKM 177459
Colour	Red brown
Hardness	80 Shore A

Metal housing	Yellow chromated, deep-drawn steel sheet as corrosion protection.
---------------	---

Alternatively in stainless steel on enquiry

Operating conditions

Media	Greases
T	-40 ... +100 °C (NBR) -25 ... +160 °C (FKM)
v	to 6 m/s

Max. permissible values depend on the other operating conditions.

Fitting & installation

Shaft

Tolerance	ISO h 9
Runout	IT 8
Roughness	$R_z = 1,0 \dots 5,0 \mu\text{m}$
	$R_{\text{max}} = <6,3 \mu\text{m}$

Range of dimensions for shafts- $\varnothing D_1$

Simmerring MSC 01	10 ... 135 mm
Simmerring MSC 02	15 ... 100 mm

→ Technical Manual.

Article list

d ₁	d ₂	b	Outer surface	Pressure	Material	Type	Article No.	
10	24	3,5	metal	un-pressurised	80 NBR 177458	MSC 01	508511	●
10	24	3,5	metal	un-pressurised	80 FKM 177459	MSC 01	508559	●
11	26	3,5	metal	un-pressurised	80 NBR 177458	MSC 01	508512	●
11	26	3,5	metal	un-pressurised	80 FKM 177459	MSC 01	508560	●
12	26	3,5	metal	un-pressurised	80 NBR 177458	MSC 01	508513	●
12	26	3,5	metal	un-pressurised	80 FKM 177459	MSC 01	508561	●
14	30	4	metal	un-pressurised	80 NBR 177458	MSC 01	508514	●
14	30	4	metal	un-pressurised	80 FKM 177459	MSC 01	508562	●
15	30	4	metal	un-pressurised	80 NBR 177458	MSC 01	508515	●
15	30	4	metal	un-pressurised	80 FKM 177459	MSC 01	508563	●
15	32	6	metal	un-pressurised	80 FKM 177459	MSC 02	508604	●
15	32	6	metal	un-pressurised	80 NBR 177458	MSC 02	508628	●
16	32	4	metal	un-pressurised	80 NBR 177458	MSC 01	508516	●
16	32	4	metal	un-pressurised	80 FKM 177459	MSC 01	508564	●
17	32	4	metal	un-pressurised	80 NBR 177458	MSC 01	508517	●
17	32	4	metal	un-pressurised	80 FKM 177459	MSC 01	508565	●
17	34	6	metal	un-pressurised	80 FKM 177459	MSC 02	508605	●
17	34	6	metal	un-pressurised	80 NBR 177458	MSC 02	508629	●
18	33	4	metal	un-pressurised	80 NBR 177458	MSC 01	508518	●
18	33	4	metal	un-pressurised	80 FKM 177459	MSC 01	508566	●
20	35	4	metal	un-pressurised	80 NBR 177458	MSC 01	508519	●
20	35	4	metal	un-pressurised	80 FKM 177459	MSC 01	508567	●
20	37	6	metal	un-pressurised	80 FKM 177459	MSC 02	508606	●
20	37	6	metal	un-pressurised	80 NBR 177458	MSC 02	508630	●
22	40	4	metal	un-pressurised	80 NBR 177458	MSC 01	508520	●
22	40	4	metal	un-pressurised	80 FKM 177459	MSC 01	508568	●
24	40	4	metal	un-pressurised	80 NBR 177458	MSC 01	508521	●
24	40	4	metal	un-pressurised	80 FKM 177459	MSC 01	508569	●
25	40	4	metal	un-pressurised	80 NBR 177458	MSC 01	508522	●
25	40	4	metal	un-pressurised	80 FKM 177459	MSC 01	508571	●
25	42	6	metal	un-pressurised	80 FKM 177459	MSC 02	508607	●
25	42	6	metal	un-pressurised	80 NBR 177458	MSC 02	508631	●
26	40	4	metal	un-pressurised	80 NBR 177458	MSC 01	508523	●
26	40	4	metal	un-pressurised	80 FKM 177459	MSC 01	508572	●
28	43	4	metal	un-pressurised	80 NBR 177458	MSC 01	508524	●
28	43	4	metal	un-pressurised	80 FKM 177459	MSC 01	508573	●
30	47	4,5	metal	un-pressurised	80 NBR 177458	MSC 01	508525	●
30	47	4,5	metal	un-pressurised	80 FKM 177459	MSC 01	508574	●
30	48	6,5	metal	un-pressurised	80 FKM 177459	MSC 02	508608	●
30	48	6,5	metal	un-pressurised	80 NBR 177458	MSC 02	508632	●
32	49	4,5	metal	un-pressurised	80 NBR 177458	MSC 01	508527	●
32	49	4,5	metal	un-pressurised	80 FKM 177459	MSC 01	508575	●
35	52	4,5	metal	un-pressurised	80 NBR 177458	MSC 01	508528	●
35	52	4,5	metal	un-pressurised	80 FKM 177459	MSC 01	508576	●
35	53	6,5	metal	un-pressurised	80 FKM 177459	MSC 02	508609	●
35	53	6,5	metal	un-pressurised	80 NBR 177458	MSC 02	508633	●
38	55	4,5	metal	un-pressurised	80 NBR 177458	MSC 01	508529	●
38	55	4,5	metal	un-pressurised	80 FKM 177459	MSC 01	508577	●
40	57	4,5	metal	un-pressurised	80 NBR 177458	MSC 01	508530	●

● Available from stock ○ On request: Tool is available, delivery at short notice

d ₁	d ₂	b	Outer surface	Pressure	Material	Type	Article No.	
40	57	4,5	metal	un-pressurised	80 FKM 177459	MSC 01	508578	●
40	58	6,5	metal	un-pressurised	80 FKM 177459	MSC 02	508610	●
40	58	6,5	metal	un-pressurised	80 NBR 177458	MSC 02	508634	●
41	57	4,5	metal	un-pressurised	80 NBR 177458	MSC 01	508531	●
41	57	4,5	metal	un-pressurised	80 FKM 177459	MSC 01	508579	●
42	59	4,5	metal	un-pressurised	80 NBR 177458	MSC 01	508532	●
42	59	4,5	metal	un-pressurised	80 FKM 177459	MSC 01	508580	●
45	62	4,5	metal	un-pressurised	80 NBR 177458	MSC 01	508533	●
45	62	4,5	metal	un-pressurised	80 FKM 177459	MSC 01	508581	●
45	63	6,5	metal	un-pressurised	80 FKM 177459	MSC 02	508611	●
45	63	6,5	metal	un-pressurised	80 NBR 177458	MSC 02	508635	●
48	65	4,5	metal	un-pressurised	80 NBR 177458	MSC 01	508534	●
48	65	4,5	metal	un-pressurised	80 FKM 177459	MSC 01	508583	●
50	70	5,5	metal	un-pressurised	80 NBR 177458	MSC 01	508535	●
50	70	5,5	metal	un-pressurised	80 FKM 177459	MSC 01	508584	●
50	72	7,5	metal	un-pressurised	80 FKM 177459	MSC 02	508612	●
50	72	7,5	metal	un-pressurised	80 NBR 177458	MSC 02	508636	●
52	72	5,5	metal	un-pressurised	80 NBR 177458	MSC 01	508536	●
52	72	5,5	metal	un-pressurised	80 FKM 177459	MSC 01	508585	●
55	75	5,5	metal	un-pressurised	80 NBR 177458	MSC 01	508537	●
55	75	5,5	metal	un-pressurised	80 FKM 177459	MSC 01	508586	●
55	77	7,5	metal	un-pressurised	80 FKM 177459	MSC 02	508613	●
55	77	7,5	metal	un-pressurised	80 NBR 177458	MSC 02	508637	●
58	78	5,5	metal	un-pressurised	80 NBR 177458	MSC 01	508539	●
58	78	5,5	metal	un-pressurised	80 FKM 177459	MSC 01	508587	●
60	80	5,5	metal	un-pressurised	80 NBR 177458	MSC 01	508540	●
60	80	5,5	metal	un-pressurised	80 FKM 177459	MSC 01	508588	●
60	82	7,5	metal	un-pressurised	80 FKM 177459	MSC 02	508614	●
60	82	7,5	metal	un-pressurised	80 NBR 177458	MSC 02	508638	●
62	82	5,5	metal	un-pressurised	80 NBR 177458	MSC 01	508544	●
62	82	5,5	metal	un-pressurised	80 FKM 177459	MSC 01	508589	●
65	85	5,5	metal	un-pressurised	80 NBR 177458	MSC 01	508546	●
65	85	5,5	metal	un-pressurised	80 FKM 177459	MSC 01	508590	●
65	87	7,5	metal	un-pressurised	80 FKM 177459	MSC 02	508615	●
65	87	7,5	metal	un-pressurised	80 NBR 177458	MSC 02	508639	●
68	88	5,5	metal	un-pressurised	80 NBR 177458	MSC 01	508547	●
68	88	5,5	metal	un-pressurised	80 FKM 177459	MSC 01	508591	●
70	90	5,5	metal	un-pressurised	80 NBR 177458	MSC 01	508548	●
70	90	5,5	metal	un-pressurised	80 FKM 177459	MSC 01	508592	●
70	92	7,5	metal	un-pressurised	80 FKM 177459	MSC 02	508616	●
70	92	7,5	metal	un-pressurised	80 NBR 177458	MSC 02	508640	●
72	92	5,5	metal	un-pressurised	80 NBR 177458	MSC 01	508549	●
72	92	5,5	metal	un-pressurised	80 FKM 177459	MSC 01	508593	●
75	95	5,5	metal	un-pressurised	80 NBR 177458	MSC 01	508550	●
75	95	5,5	metal	un-pressurised	80 FKM 177459	MSC 01	508594	●
75	97	7,5	metal	un-pressurised	80 FKM 177459	MSC 02	508617	●
75	97	7,5	metal	un-pressurised	80 NBR 177458	MSC 02	508641	●
78	98	5,5	metal	un-pressurised	80 NBR 177458	MSC 01	508551	●
78	98	5,5	metal	un-pressurised	80 FKM 177459	MSC 01	508595	●
80	100	5,5	metal	un-pressurised	80 NBR 177458	MSC 01	508552	●

● Available from stock ○ On request: Tool is available, delivery at short notice

d ₁	d ₂	b	Outer surface	Pressure	Material	Type	Article No.	
80	100	5,5	metal	un-pressurised	80 FKM 177459	MSC 01	508597	●
80	102	7,5	metal	un-pressurised	80 FKM 177459	MSC 02	508618	●
80	102	7,5	metal	un-pressurised	80 NBR 177458	MSC 02	508642	●
85	105	5,5	metal	un-pressurised	80 NBR 177458	MSC 01	508553	●
85	105	5,5	metal	un-pressurised	80 FKM 177459	MSC 01	508598	●
85	107	7,5	metal	un-pressurised	80 FKM 177459	MSC 02	508619	●
85	107	7,5	metal	un-pressurised	80 NBR 177458	MSC 02	508643	●
90	110	5,5	metal	un-pressurised	80 NBR 177458	MSC 01	508554	●
90	110	5,5	metal	un-pressurised	80 FKM 177459	MSC 01	508599	●
90	112	7,5	metal	un-pressurised	80 FKM 177459	MSC 02	508620	●
90	112	7,5	metal	un-pressurised	80 NBR 177458	MSC 02	508644	●
95	115	5,5	metal	un-pressurised	80 NBR 177458	MSC 01	508555	●
95	115	5,5	metal	un-pressurised	80 FKM 177459	MSC 01	508600	●
95	117	7,5	metal	un-pressurised	80 FKM 177459	MSC 02	508621	●
95	117	7,5	metal	un-pressurised	80 NBR 177458	MSC 02	508645	●
100	120	5,5	metal	un-pressurised	80 NBR 177458	MSC 01	508556	●
100	120	5,5	metal	un-pressurised	80 FKM 177459	MSC 01	508601	●
100	122	7,5	metal	un-pressurised	80 FKM 177459	MSC 02	508622	●
100	122	7,5	metal	un-pressurised	80 NBR 177458	MSC 02	508646	●
105	125	5,5	metal	un-pressurised	80 NBR 177458	MSC 01	508557	●
105	125	5,5	metal	un-pressurised	80 FKM 177459	MSC 01	508602	●
135	159	6,5	metal	un-pressurised	80 NBR 177458	MSC 01	508558	●
135	159	6,5	metal	un-pressurised	80 FKM 177459	MSC 01	508603	●

● Available from stock ○ On request: Tool is available, delivery at short notice

Simmerring Modular Sealing Solution 1 (MSS 1)

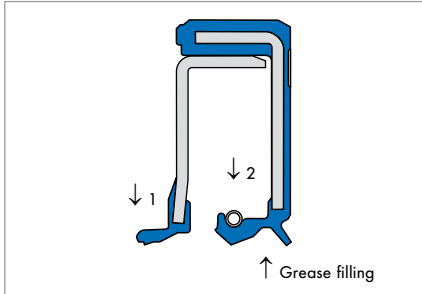


Fig. 1 Simmerring MSS 1 NBR/FKM

Product description

- Outer casing: elastomer (smooth)
- Spring-loaded sealing lip and sealing lip with helix edge without spring
- Additional dust lip
- Modern sealing lip profile
- Friction-optimised primary seal lip 1 made from fluoro rubber 75 FKM 585
- Secondary seal lip with additional dust lip 2
- Grease filling with special lubricant Klüber Petamo GHY 133 N.

Product advantages

- Broad range of applications, for example in industrial gearboxes
- Reliable sealing of the housing bore, even with increased roughness of the bore, thermal expansion and split housings, thus a sealing of low viscosity and gaseous media is also possible
- Very long service life and reliability, especially when subject to strong external dirt and/or contamination (metal abrasion, cast sand) of the lubricant
- Optimal for vertical unit application
- Very narrow axial design
- Reliable sealing of the housing bore etc.

Application

- Industrial gearboxes.

Material

Acrylonitrile-butadiene rubber/Fluoro elastomer

Code	72 NBR 902/75 FKM 585
Hardness	72 Shore A/75 Shore A

Fluoro elastomer/Fluoro elastomer

Code	75 FKM 585/75 FKM 585
Hardness	75 Shore A/75 Shore A

Metal insert	Unalloyed steel DIN EN 10027-1
Spring	Spring steel DIN EN 10270-1

Operating conditions

Materials combination	NBR/FKM	FKM/FKM
T	-25 ... +100 °C	-25 ... +160° C
v	0 ... 6 m/s	0 ... 6 m/s
p	0 ... 0,05 MPa/0,5 bar	0 ... 0,05 MPa/0,5 bar

Max. permissible values depend on the other operating conditions.

Fitting & installation

Shaft

Tolerance	ISO h 11
Runout	IT 8
Roughness	$R_a = 0,2 \dots 0,8 \mu\text{m}$
	$R_z = 1,0 \dots 5,0 \mu\text{m}$
	$R_{max} = <6,3 \mu\text{m}$
Hardness	45 ... 60 HRC
Finish	No lead; preferably plunge ground

Housing bore

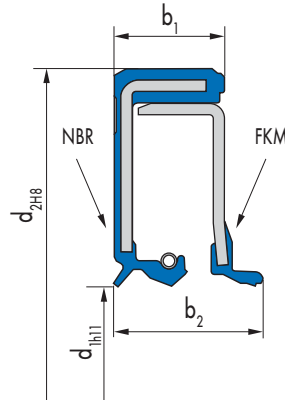
Tolerance	ISO H8
Roughness	$R_z = 10 \dots 25 \mu\text{m}$

Careful fitting according to DIN 3760 is a prerequisite for the correct function of the seal → Technical Manual.

Range of dimensions for shafts-Ø d₁

Simmerring MSS 1	35 ... 145 mm
------------------	---------------

Artikelliste



d ₁	d ₂	b ₁	b ₂	Outer surface	Pressure	Material	Article No.	
20	42	6	8	smooth	0,05	75 FKM 585	527075	●
20	52	6	8	smooth	0,05	75 FKM 585	531002	●
25	47	10	13,5	smooth	0,05	75 FKM 585	527074	●
30	52	6	8	smooth	0,05	72 NBR 902	528998	●
30	52	6	8	smooth	0,05	75 FKM 585	49011594	●
35	62	8	10	smooth	0,05	72 NBR 902	525414	●
35	62	8	10	smooth	0,05	75 FKM 585	525445	●
40	68	10		smooth	0,05	72 NBR 902	49028784	●
40	80	10	13,5	smooth	0,05	72 NBR 902	525350	●
45	75	8	10	smooth	0,05	72 NBR 902	49005160	●
45	85	10	13,5	smooth	0,05	72 NBR 902	525382	●
47	65	10	13,5	smooth	0,05	72 NBR 902	525416	●
47	90	10	13,5	smooth	0,05	72 NBR 902	525417	●
50	65	10	13,5	smooth	0,05	72 NBR 902	525357	●
50	80	10	13,5	smooth	0,05	72 NBR 902	525353	●
50	90	10	13,5	smooth	0,05	72 NBR 902	525358	●
52	72	10	13,5	smooth	0,05	72 NBR 902	525379	●
52	100	10	13,5	smooth	0,05	72 NBR 902	525389	●
55	72	10	13,5	smooth	0,05	72 NBR 902	525360	●
55	72	10	13,5	smooth	0,05	75 FKM 585	525365	●
55	90	10	13,5	smooth	0,05	72 NBR 902	525359	●
55	90	10	13,5	smooth	0,05	75 FKM 585	525364	○
55	100	10	13,5	smooth	0,05	72 NBR 902	525393	●
55	100	10	13,5	smooth	0,05	75 FKM 585	525425	○
60	110	12	16,5	smooth	0,05	72 NBR 902	525366	●
60	110	12	16,5	smooth	0,05	75 FKM 585	525369	●
62	90	12	16,5	smooth	0,05	72 NBR 902	525384	●
62	90	12	16,5	smooth	0,05	75 FKM 585	525422	●
62	120	12	16,5	smooth	0,05	72 NBR 902	525400	●
65	85	12	16,5	smooth	0,05	72 NBR 902	525383	●
65	100	12	16,5	smooth	0,05	72 NBR 902	525394	●
65	100	12	16,5	smooth	0,05	75 FKM 585	525426	●
65	120	12	16,5	smooth	0,05	72 NBR 902	525367	●
65	120	12	16,5	smooth	0,05	75 FKM 585	525370	●
65	140	12	16,5	smooth	0,05	72 NBR 902	525368	●

● Available from stock ○ On request: Tool is available, delivery at short notice

d ₁	d ₂	b ₁	b ₂	Outer surface	Pressure	Material	Article No.	
70	90	12	16,5	smooth	0,05	72 NBR 902	525376	●
70	110	12	16,5	smooth	0,05	72 NBR 902	525375	●
72	95	12	16,5	smooth	0,05	72 NBR 902	525386	●
72	95	12	16,5	smooth	0,05	75 FKM 585	525423	●
72	140	12	16,5	smooth	0,05	72 NBR 902	525403	●
72	140	12	16,5	smooth	0,05	75 FKM 585	525432	●
75	130	12	16,5	smooth	0,05	72 NBR 902	525377	●
80	100	12	16,5	smooth	0,05	72 NBR 902	525395	●
80	100	12	16,5	smooth	0,05	75 FKM 585	525427	●
80	125	12	16,5	smooth	0,05	72 NBR 902	525402	●
82	120	13	19,5	smooth	0,05	72 NBR 902	525401	●
82	160	13	19,5	smooth	0,05	72 NBR 902	525407	●
82	160	13	19,5	smooth	0,05	75 FKM 585	525437	○
85	110	12	18,5	smooth	0,05	72 NBR 902	525387	●
85	140	12	18,5	smooth	0,05	72 NBR 902	525385	●
85	140	12	18,5	smooth	0,05	75 FKM 585	525390	●
95	125	13	19,5	smooth	0,05	72 NBR 902	525397	●
95	145	13	19,5	smooth	0,05	72 NBR 902	525405	●
95	145	13	19,5	smooth	0,05	75 FKM 585	525434	○
95	170	13	19,5	smooth	0,05	72 NBR 902	525396	○
108	170	15	22,5	smooth	0,05	72 NBR 902	525409	●
120	150	15	22,5	smooth	0,05	72 NBR 902	525406	●
120	150	15	22,5	smooth	0,05	75 FKM 585	525435	●
125	160	15	22,5	smooth	0,05	72 NBR 902	525408	●
125	200	15	22,5	smooth	0,05	72 NBR 902	525412	●
145	230	17	25,5	smooth	0,05	72 NBR 902	525413	●
145	230	17	25,5	smooth	0,05	75 FKM 585	525444	○

● Available from stock ○ On request: Tool is available, delivery at short notice

Simmerring Modular Sealing Solution 1+ (MSS 1+ Condition Monitoring)

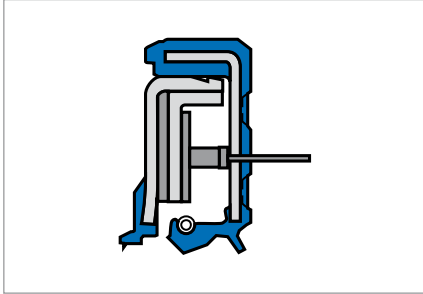


Fig. 1 Simmerring Modular Sealing Solution 1+ (MSS 1+ Condition Monitoring)

Product description

Modification of the standard MSS 1 design with additional function for detection of early leakage.
 Additional function: Optical sensor and special fleece leakage collector with evaluation electronics for transmission and interpretation of the signals.

Product advantages

- Simmerring MSS 1+ CM features:
- Reliable warning of leakage
 - Maintenance intervals can be planned
 - Cost-effective small volume series, no tool costs
 - Media-specific adaptation of the evaluation electronics.

Application

Industrial gearboxes, drive shafts, pumps and other conceivable application areas.

Material

Acrylonitrile-butadiene rubber/Fluoro elastomer

Code	72 NBR 902/75 FKM 585
Hardness	72 Shore A/75 Shore A
Sensor	Sensor, ribbon cable

Operating conditions

Materials combination	NBR/FKM
T	-25 ... +100 °C
v	0 ... 6 m/s
P	0 ... 0,05 MPa/0,5 bar

Max. permissible values depend on the other operating conditions.

Design notes

Limited range of sizes, larger Simmerrings may be equipped with several sensors.

Simmerring Modular Sealing Solution 7 (MSS 7)

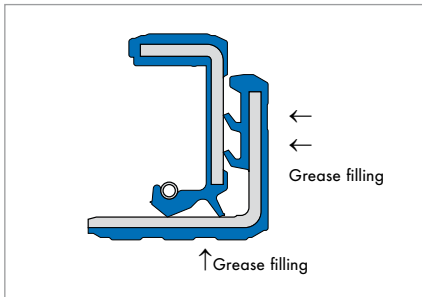


Fig. 1 Simmerring MSS 7

Product description

- Outer casing: elastomer
- Spring-loaded sealing lip
- Additional dust lips
- Modern sealing lip profile
- High resistance to dirt ingress
- Robust solution
- Grease between the sealing lip and dust lip with special lubricant Klüber Petamo GHY 133 N.

Product advantages

- Broad range of applications
- Reliable sealing of the housing bore, even with increased roughness of the bore, thermal expansion and split housings, thus a sealing of low viscosity and gaseous media also possible
- Additional axial dust lip(s) against moderate to medium dust and dirt ingress from outside.

Application

- Sealing of special gearboxes (e.g. automated washing system/ car wash)
- Axles for agricultural and construction machinery, axles for special vehicles.

Material

Acrylonitrile-butadiene rubber

Code	72 NBR 902
Hardness	72 Shore A
Metal insert	Unalloyed steel DIN EN 10027-1
Spring	Spring steel DIN EN 10270-1

Material 75 FKM 585 on enquiry.

Operating conditions

Material	72 NBR 902
T	<80 °C
v	0 ... 5 m/s
p	0 ... 0,05 MPa/0,5 bar

Max. permissible values depend on the other operating conditions.

Fitting & installation

Shaft

Tolerance	ISO h8
Runout:	IT 8
Roughness	R _z = 10 ... 16 µm

Housing bore

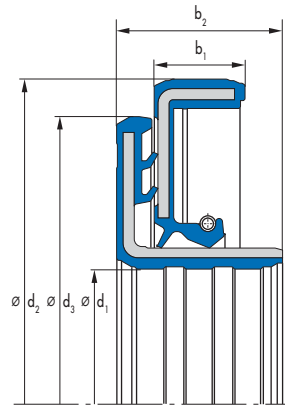
Tolerance	ISO H8
Roughness	R _z = 10 ... 16 µm

Careful fitting according to DIN 3760 is a prerequisite for the correct function of the seal → Technical Manual.

Range of dimensions for shafts-Ø d₁

Simmerring MSS 7	35 ... 150 mm
------------------	---------------

Article list



d_1	d_2	d_3	b_1	b_2	Outer surface	Pressure	Material	Article No.	
35	62	56	8	14	smooth	0,05	72 NBR 902	477277	●
45	75	68	7	12,5	smooth	0,05	72 NBR 902	522352	●
45	80	73	8	15	smooth	0,05	72 NBR 902	522353	●
55	90	83	9	17	smooth	0,05	72 NBR 902	522351	●
60	110	98	10	18	smooth	0,05	72 NBR 902	477237	●
65	100	90	10	18	smooth	0,05	72 NBR 902	522350	●
70	130	110	10	17	smooth	0,05	72 NBR 902	522285	●
80	125	113	10	19	smooth	0,05	72 NBR 902	522349	●
80	150	120	12	22	smooth	0,05	72 NBR 902	522286	●
95	145	135	12	22	smooth	0,05	72 NBR 902	522348	●
100	190	140	12	22	smooth	0,05	72 NBR 902	522305	●
110	170	150	12	22	smooth	0,05	72 NBR 902	522347	●
110	215	150	12	24	smooth	0,05	72 NBR 902	522308	●
120	180	160	12	24	smooth	0,05	72 NBR 902	522346	●
130	215	170	12	24	smooth	0,05	72 NBR 902	522311	●
150	225	190	12	24	smooth	0,05	72 NBR 902	522345	●

● Available from stock ○ On request: Tool is available, delivery at short notice

Simmerring Cassette Seal Type 1



Fig.1 Simmerring Cassette Seal Type 1

Application

These examples of use provide general information on the primary applications for Simmerring Cassette Seals and their performance in relation to dirt from the outside. Simmerring Cassette Seals (types 1, 2 or 3) must be selected taking into account the application conditions (shaft speed, oil temperature, etc.).

- Agricultural machinery (tractors)
 - Axles: pinions
- Construction machinery (road rollers, excavators, fork-lift trucks, mixers)
 - Axles: pinions
 - Power take-off drives
- Commercial vehicles (lorries, busses, trailers, special vehicles)
 - Axles: hubs
 - Axles: propeller shafts*
 - Axles: pinions.

* With axial shaft movement, special design necessary.

Product description

- Design: special types, on enquiry
- Outer casing: elastomer/sheet metal
- Spring-loaded sealing lip
- Additional dust lips
- high resistance to dirt ingress
- Robust solution.

Product advantages

- Lengthening of maintenance interval for individual units
- Shaft must not be hardened or ground
- Old solution can usually be replaced by Simmerring Cassette Seal without change to housing
- The shaft must not be machined on maintenance or seal replacement.

Material

Acrylonitrile-butadiene rubber

Code	75 NBR 106200
Colour	Black

Fluoro elastomer

Code	75 FKM 595
Colour	Red brown

Metal insert	Unalloyed steel DIN 1624 – EN10139
Spring	Spring steel 17223

Operating conditions

Materials combination	75 NBR 106200	75 FKM 595
T	<80 °C	<100 °C
v	to 7 m/s	to 9 m/s
p	max. 0,05 MPa/0,5 bar	max. 0,05 MPa/0,5 bar

For material definitions, it must be taken into account that it is possible that not all extreme conditions will occur simultaneously.

Fitting & installation

Shaft

Tolerance	ISO h8
Runout	IT 8
Roughness	R _z = 10 ... 16 µm

Housing bore

Tolerance	ISO H8
Roughness	R _z = 10 ... 16 µm

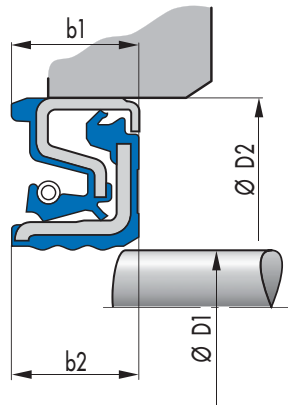
Careful fitting according to DIN 3760 is a prerequisite for the correct function of the seal → Technical Manual.

Further information on enquiry.

Range of dimensions for shafts-Ø D₁

Simmerring Cassette Seal type 1	55 ... 133,35 mm
---------------------------------	------------------

Article list



D_1	D_2	b_1	b_2	Material	Article No.	
55	80	12,5	14	75 FKM 595	12016792	<input type="radio"/>

● Available from stock ○ On request: Tool is available, delivery at short notice

Simmerring Cassette Seal Type 2

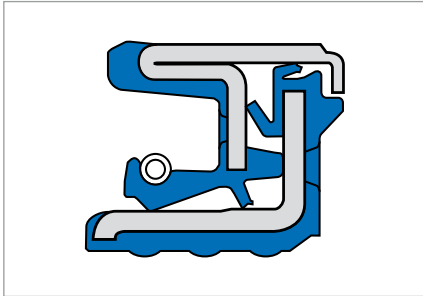


Fig.1 Simmerring Cassette Seal Type 2

Application

These examples of use provide general information on the primary applications for Simmerring Cassette Seals and their performance in relation to dirt from the outside. Simmerring Cassette Seals (types 1, 2 or 3) must be selected taking into account the application conditions (shaft speed, oil temperature, etc.).

Further information on enquiry.

- Agricultural machinery
 - Tedders
 - Sewing machinery
 - Pricking out machinery
 - Combine harvesters
 - Threshing machinery.

Product description

- Design: special types, on enquiry
- Outer casing: elastomer/sheet metal
- Spring-loaded sealing lip
- Additional dust lips
- High resistance to dirt ingress
- Robust solution.

Product advantages

- Lengthening of maintenance interval for individual units
- Shaft must not be hardened or ground
- Old solution can usually be replaced by Simmerring Cassette Seal without change to housing
- The shaft must not be machined on maintenance or seal replacement.

Material

Acrylonitrile-butadiene rubber

Code	75 NBR 106200
Colour	Black

Fluoro elastomer

Code	75 FKM 595
Colour	Red brown

Metal insert	Unalloyed steel DIN 1624 – EN10139
Spring	Spring steel 17223

Operating conditions

Materials combination	75 NBR 106200	75 FKM 595
T	<80 °C	<100 °C
v	to 5 m/s	to 7 m/s
p	max. 0,05 MPa/0,5 bar	max. 0,05 MPa/0,5 bar

For material definitions, it must be taken into account that it is possible that not all extreme conditions will occur simultaneously.

Fitting & installation

Shaft

Tolerance	ISO h8
Runout	IT 8
Roughness	$R_z = 10 \dots 16 \mu\text{m}$

Housing bore

Tolerance	ISO H8
Roughness	$R_z = 10 \dots 16 \mu\text{m}$

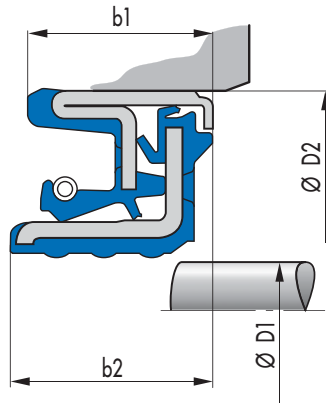
Careful fitting according to DIN 3760 is a prerequisite for the correct function of the seal → Technical Manual .

Further information on enquiry.

Range of dimensions for shafts- $\varnothing D_1$

Simmerring Cassette Seal type 2	35 ... 190 mm
---------------------------------	---------------

Article list



D ₁	D ₂	b ₁	b ₂	Material	Article No.	
65	92	10	15	75 FKM 585	12018849	○
65	105	13	14,5	75 NBR 106200	12018825	○
75	100	13	14,5	75 NBR 106200	12019088	○
80	100	12	13,7	75 NBR 106200	12019145	○
85	115	12		75 NBR 106200	12020003	○
85	115	12		75 FKM 595	12020004	○
95	130	16		75 FKM 585	12020008	○
110	140	14,5	16	75 NBR 106200	12014492	○
110	140	14,5	16	75 FKM 595	12014899	○
111	146	13,5	14,5	75 NBR 106200	12017210	○
155	190	14,5	16	75 FKM 595	12020173	○
155	190	17,5	19	75 FKM 595	12014851	○
165	190	15,5	17	75 NBR 106200	12015133	○
165	190	15,5	17	75 NBR 106200	12019501	○
190	215	15,5	17	75 NBR 106200	12016896	○

● Available from stock ○ On request: Tool is available, delivery at short notice

Simmerring Cassette Seal Type 3



Fig.1 Simmerring Cassette Seal Type 3

Product description

- Design: special types, on enquiry
- Outer casing: elastomer/sheet metal
- Spring-loaded sealing lip
- Additional dust lips
- High resistance to dirt ingress
- Robust solution.

Product advantages

- Lengthening of maintenance interval for individual units
- Shaft must not be hardened or ground
- Old solution can usually be replaced by Simmerring Cassette Seal without change to housing
- The shaft must not be machined on maintenance or seal replacement.

Application

These examples of use provide general information on the primary applications for Simmerring Cassette Seals and their performance in relation to dirt from the outside. Simmerring Cassette Seals (types 1, 2 or 3) must be selected taking into account the application conditions (shaft speed, oil temperature, etc.). Further information on enquiry.

- Agricultural machinery
 - Tractors/hub
 - Tractors/propeller shafts*
 - Harrows
 - Motorised cultivators
 - Tillers
 - Fertiliser spreading machinery
- Construction machinery (road rollers, excavators, fork-lift trucks, mixers)
 - Axles: hubs
 - Axles: propeller shafts* .

* With axial shaft movement, special design necessary.

Material

Acrylonitrile-butadiene rubber

Code	75 NBR 106200
Colour	Black

Fluoro elastomer

Code	75 FKM 595
Colour	Red brown

Metal insert	Unalloyed steel DIN 1624 – EN10139
Spring	Spring steel 17223

Operating conditions

Materials combination	75 NBR 106200	75 FKM 595
T	<80 °C	<100 °C
v	to 4 m/s	to 6 m/s
p	max. 0,05 MPa/0,5 bar	max. 0.05 MPa/0.5 bar

For material definitions, it must be taken into account that it is possible that not all extreme conditions will occur simultaneously.

Fitting & installation

Shaft

Tolerance	ISO h8
Runout	IT 8
Roughness	$R_z = 10 \dots 16 \mu\text{m}$

Housing bore

Tolerance	ISO H8
Roughness	$R_z = 10 \dots 16 \mu\text{m}$

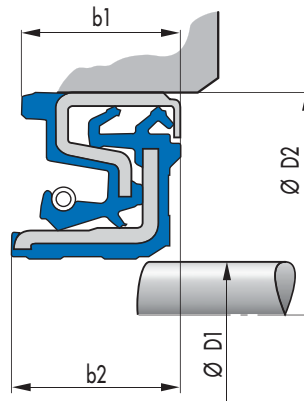
Careful fitting according to DIN 3760 is a prerequisite for the correct function of the seal → Technical Manual.

Further information on enquiry.

Range of dimensions for shafts- $\varnothing D_1$

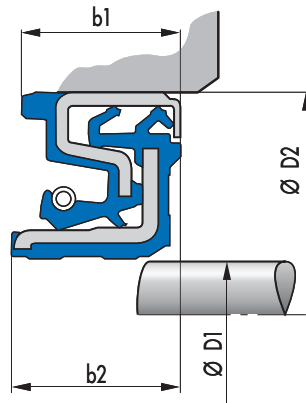
Simmerring Cassette Seal type 3	25 ... 210 mm
---------------------------------	---------------

Article list



D ₁	D ₂	b ₁	b ₂	Material	Article No.	
25	52	12		75 NBR 106200	12015223	○
35	60	13	14,5	75 NBR 106200	12017029	○
35	62	13,5	14	75 FKM 585	12019335	○
35	65	14,5	17	75 NBR 106200	12019775	○
45	70	14	17	75 NBR 106200	12015392	○
45	70	14	17	75 FKM 595	12016630	○
48	75	14	17	75 NBR 106200	12015395	○
56	80	13	14,5	75 FKM 595	12016694	○
56	80	13	14,5	75 NBR 106200	12018036	○
60	84	13	14,5	75 FKM 585	12019351	○
60	84	13	14,5	75 NBR 106200	12019352	○
60	90	13,5	15	75 FKM 595	12016418	○
60	90	13,5	15	75 NBR 106200	12016423	○
65	90	13	14,5	75 NBR 106200	12019533	○
70	95	13	14,5	75 NBR 106200	12018338	○
70	95	13	14,5	75 FKM 585	12019199	○
75	100	13	14,5	75 FKM 585	12019120	○
85	110	13	14,5	75 NBR 106200	12016635	○
85	110	13	14,5	75 FKM 595	12017093	○
85	140	15	17	75 NBR 106200	12019153	○
100	129,85	12,5	14	75 NBR 106200	12020095	○
110	140	13,5	15,5	75 FKM 595	12019735	○
110	140	13,5	15,5	75 NBR 106200	12019736	○
120	150	14	15,5	75 NBR 106200	12019941	○
120	160	15	17,5	75 NBR 106200	12018572	○
121,8	150	13	12	75 NBR 106200	12020222	○
127	160	15,5	17,5	75 NBR 106200	12019068	○
130	160	14,5	16	75 NBR 106200	12016448	○
130	160	14,5	16	75 FKM 585	12019208	○
140	170	14,5	16	75 NBR 106200	12016688	○
140	170	14,5	16	75 NBR 106200	12019137	○
145	175	14,5	15,5	75 NBR 902	12019116	○
150	180	14,5	16	75 NBR 106200	12018035	○
150	180	14,5	16	75 FKM 595	12019742	○
155	190	17,5	19	75 NBR 106200	12014852	○

● Available from stock ○ On request: Tool is available, delivery at short notice



D ₁	D ₂	b ₁	b ₂	Material	Article No.	
155	195	16,5	18	75 NBR 106200	12016391	○
165	195	16,5	18	75 NBR 106200	12015149	○
165	195	16,5	18	75 FKM 595	12018543	○
170	200	15	16	75 NBR 902	12019056	○
170	200	15	16	75 FKM 595	12019084	○
178	208	16	18	75 NBR 106200	12018107	○
178	208	16	18	75 FKM 595	12019737	○
190	220	16	18	75 NBR 106200	12017120	○
190	220	16	18	75 FKM 595	12018658	○
210	240	16	18	75 NBR 106200	12019114	○
220	265	19	21	75 FKM 595	12019741	○
220	265	19	21	75 NBR 106200	12019966	○
235	270	20	22	75 NBR 106200	12019336	○

● Available from stock ○ On request: Tool is available, delivery at short notice

Simmerring Cassette Seal HS (high speed)

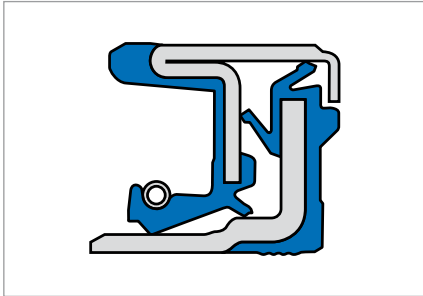


Fig.1 Simmerring Cassette Seal HS

Product description

- Design: special types, on enquiry
- Outer casing: elastomer/sheet metal
- Spring-loaded sealing lip
- Additional dust lips
- High resistance to dirt ingress.

Product advantages

- Strategic principle: elastomer/metal sheets on the inside diameter and special design
- Extremely useful for applications with high r.p.m.
- Elastomer surface guarantees static seal at inside diameter
- Metal surface guarantees higher thermal conduction and better heat distribution
- Fast and reliable replacement for applications in the spare parts sector
- Shaft surface treatment not necessary.

Application

These examples of use provide general information on the primary applications for the Simmerring Cassette Seal HS. The Simmerring Cassette Seal HS is used in pinions, in both the industrial and commercial vehicle sectors:

- Agricultural machinery (tractors)
- Commercial vehicles (small trucks, small special vehicles)
- Pinions
- Differential
- Drive engineering.

Material

For slip ring:

Fluoro elastomer

Code	75 FKM 585
Colour	Dark brown

For Simmerring:

Acrylonitrile-butadiene rubber

Code	75 NBR 106200
Colour	Black

Acrylate rubber

Code	68 ACM
Colour	Black

Metal insert	Unalloyed steel DIN 1624 – EN 10139
Spring	Spring steel 17223

Operating conditions

Materials combination	For Simmerring 75 FKM 585	For slip ring 75 NBR 106200	For slip ring 68 ACM
T	<120 °C	<80 °C	<100 °C
v	to 12 m/s	–	–
p	max. 0,03 MPa/0,3 bar	–	–

For material definitions, it must be taken into account that it is possible that not all extreme conditions will occur simultaneously.

Fitting & installation

Shaft

Tolerance	ISO h8
Runout	IT 8
Roughness	R _z = 10 ... 16 µm

Housing bore

Tolerance	ISO h8
Roughness	R _z = 10 ... 16 µm

Careful fitting according to DIN 3760 is a prerequisite for the correct function of the seal → Technical Manual.

Further information on enquiry.

Range of dimensions for shafts-Ø D₁

Further information on enquiry.

Simmerring Combi Seal

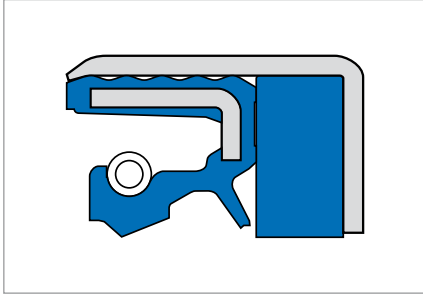


Fig. 1 Simmerring Combi Seal

Product description

- Design: special types, on enquiry
- Combination of a Simmerring and an additional seal against dirt from the outside in one housing
- Spring-loaded sealing lip
- Additional dust lip
- Primarily for usage in all applications with high level of soiling, e.g., in axles for off-road vehicles
- Use preferably instead of the Simmerring Cassette Seal in case of superimposed rotational and translation movements.

Product advantages

- Long service life
- High resistance to dirt ingress due to the optimal positioning of sealing lip and dust lip.

Performance in relation to dirt from the outside

- High resistance to dirt from the outside. Suitable for protection against dry dirt.

Application

- Agricultural machinery
- Drives for agricultural vehicles and in general industry
- Drives for rotating, sometimes running shafts in dry application areas.

Material

Acrylonitrile-butadiene rubber

Code	75 NBR 106200
Colour	Black
Hardness	75 Shore A

Fluoro elastomer

Code	75 FKM 595
Colour	Red brown
Hardness	75 Shore A

Metal insert	Unalloyed steel DIN 1624 – EN10139
Spring	Spring steel 17223
Dirt wiper	Polyurethane (AU)

Operating conditions

Materials combination	NBR/AU
T	to +80 °C
v	to 5 m/s
P	max. 0,05 MPa/0,5 bar

Fitting & installation

Shaft

Tolerance	ISO h 11
Runout	IT 8
Roughness	$R_a = 0,2 \dots 0,8 \mu\text{m}$
	$R_z = 1,0 \dots 5,0 \mu\text{m}$
	$R_{max} = \leq 6,3 \mu\text{m}$
Hardness	45 ... 60 HRC
Finish	No lead; preferably plunge ground

Housing bore

Tolerance	ISO H8
Roughness	$R_z = 10 \dots 16 \mu\text{m}$

Careful fitting according to DIN 3760 is a prerequisite for the correct function of the seal → Technical Manual.

Further information on enquiry.

Range of dimensions for shafts $\varnothing D_1$

Simmerring Combi Seal	30 ... 220 mm
-----------------------	---------------

Article list

D ₁	D ₂	b	Material	Article No.	
30	44	11	72 NBR 902	12001879	○
35	49	11	72 NBR 902	12001880	○
35	50	10	72 NBR 902	12001881	○
35	52	10	72 NBR 902	12011716	○
35	52	16	72 NBR 902	12001882	○
35	62	12	72 NBR 902	12012786	○
35	72	12	72 NBR 902	12001883	○
40	55	10	72 NBR 902	12001886	○
40	58	10	72 NBR 902	12001887	○
40	62	10	72 NBR 902	12011715	○
42	62	14	72 NBR 902	12001889	○
45	62	11	72 NBR 902	12012296	○
45	65	12	72 NBR 902	12011969	○
48	65	11	72 NBR 902	12011991	○
48	74	13	72 NBR 902	12001898	○
50	75	12	72 NBR 902	12012503	○
55	72	12	75 NBR 904	12011794	○
55	80	11	72 NBR 902	12013176	○
57	72	11	72 NBR 902	12013172	○
60	80	12	72 NBR 902	12012930	○
62	80	11	72 NBR 902	12013173	○
65	92	14	72 NBR 902	12001903	○
65	98	15	72 NBR 902	12011697	○
68	85	12	72 NBR 902	12013339	○
74	91	12	72 NBR 902	12013338	○
75	102	14	72 NBR 902	12001907	○
80	110	16	72 NBR 902	12001908	○
85	110	16	72 NBR 902	12001909	○
90	120	13	72 NBR 902	12001910	○
90	122	17	72 NBR 902	12001911	○
95	120	13	72 NBR 902	12012399	○
100	130	16	72 NBR 902	12001912	○
105	125	16	72 NBR 902	12001913	○
105	130	12	72 NBR 902	12011717	○
105	140	16	72 NBR 902	12001914	○
110	130	12	72 NBR 902	12013174	○
110	130	16	72 NBR 902	12015364	○
110	150	16	72 NBR 902	12001916	○
112	140	13,2	72 NBR 902	12001917	○
120	150	15	72 NBR 902	12001918	○
130	160	16	72 NBR 902	12001919	○
130	170	16	72 NBR 902	12001920	○
136	165,5	16	68 ACM 362	12013067	○
145	170	16	72 NBR 902	12001922	○
150	170	16	72 NBR 902	12001923	○
155	176	16	72 NBR 902	12001924	○
165	190	17	72 NBR 902	12001925	○
170	190	15	72 NBR 902	12013074	○

● Available from stock ○ On request: Tool is available, delivery at short notice

D ₁	D ₂	b	Material	Article No.	
170	205	17	72 NBR 902	12012053	<input type="radio"/>
180	205	17	72 NBR 902	12011690	<input type="radio"/>
190	215	17	72 NBR 902	12015590	<input type="radio"/>
190	220	20	72 NBR 902	12001926	<input type="radio"/>
220	250	20	72 NBR 902	12001928	<input type="radio"/>

● Available from stock ○ On request: Tool is available, delivery at short notice

Simmerring Combi Seal SF5

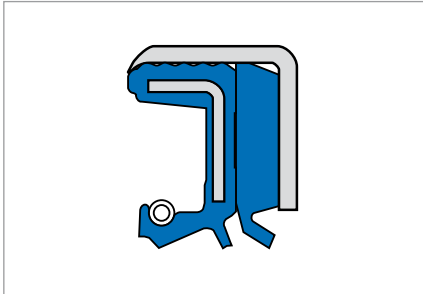


Fig. 1 Simmerring Combi Seal SF5

Product description

- Design: special types, on enquiry
- Combination of a Simmerring and an additional seal against dirt from the outside in one housing
- Spring-loaded sealing lip
- Additional dust lip
- Primarily for usage in all applications with high level of soiling, e.g., in axles for off-road vehicles
- Use preferably instead of the Simmerring Cassette Seal in case of superimposed rotational and translation movements.

Product advantages

- Long service life
- High resistance to dirt ingress due to the optimal positioning of sealing lip and dust lip.

Performance in Relation to Dirt from the Outside

- High resistance to dirt from the outside. Suitable for protection against sludge.

Application

- Agricultural machinery
- Drives for agricultural vehicles and in general industry
- Drives for rotating, sometimes running shafts in dry application areas.

Material

Acrylonitrile-butadiene rubber

Code	75 NBR 106200
Colour	Black
Hardness	75 Shore A

Fluoro elastomer

Code	75 FKM 595
Colour	Red brown
Hardness	75 Shore A

Metal insert	Unalloyed steel DIN 1624 – EN10139
Spring	Spring steel 17223
Dirt wiper	Polyurethane (AU)

Operating conditions

Materials combination	NBR/AU	FKM/AU
T	to +80 °C	to +100 °C
v	to 4 m/s	to 6 m/s
p	max. 0,05 MPa/0,5 bar	max. 0,05 MPa/0,5 bar

For material definitions, it must be taken into account that it is possible that not all extreme conditions will occur simultaneously.

Fitting & installation

Shaft

Tolerance	ISO h 11
Runout	IT 8
Roughness	$R_a = 0,2 \dots 0,8 \mu\text{m}$
	$R_z = 1,0 \dots 5,0 \mu\text{m}$
	$R_{\text{max}} = \leq 6,3 \mu\text{m}$
Hardness	45 ... 60 HRC
Finish	No lead; preferably plunge ground

Housing bore

Tolerance	ISO H8
Roughness	$R_z = 10 \dots 16 \mu\text{m}$

Careful fitting according to DIN 3760 is a prerequisite for the correct function of the seal → Technical Manual.

The use of sealing material on the outer diameter is recommended for the fitting.

Further information on enquiry.

Range of dimensions for shafts- $\varnothing D_1$

Simmerring Combi Seal SF5	35 ... 120 mm
---------------------------	---------------

Article list

D ₁	D ₂	b	Material	Article No.	
35	50	13	72 NBR 902	12013947	<input type="radio"/>
40	68	14	72 NBR 902	12013319	<input type="radio"/>
45	62	11,2	72 NBR 902	12016814	<input type="radio"/>

● Available from stock ○ On request: Tool is available, delivery at short notice

Simmerring Combi Seal SF6

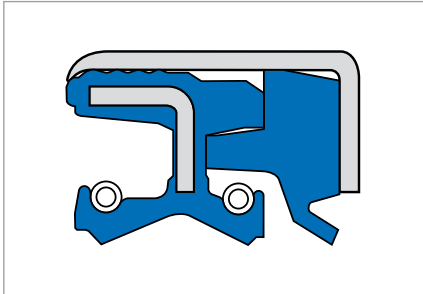


Fig. 1 Simmerring Combi Seal SF6

Product description

- Design: special types, on enquiry
- Combination of a Simmerring and an additional seal against dirt from the outside in one housing
- Spring-loaded sealing lip
- Additional dust lip
- Primarily for usage in all applications with high level of soiling, e.g., in axles for off-road vehicles
- Use preferably instead of the Simmerring Cassette Seal in case of superimposed rotational and translation movements.

Product advantages

- Long service life
- High resistance to dirt ingress due to the optimal positioning of sealing lip and dust lip.

Performance in relation to dirt from the outside

- High resistance to dirt from the outside. Suitable for protection against sludge.

Application

- Agricultural machinery
- Drives for agricultural vehicles and in general industry
- For rotating, sometimes running shafts in wet /moist application areas.

Material

Acrylonitrile-butadiene rubber

Code	75 NBR 106200
Colour	Black
Hardness	75 Shore A

Fluoro elastomer

Code	75 FKM 595
Colour	Red brown
Hardness	75 Shore A

Metal insert	Unalloyed steel DIN 1624 – EN10139
Spring	Spring steel 17223
Dirt wiper	Polyurethane (AU)

Operating conditions

Materials combination	NBR/AU	FKM/AU
T	to +80 °C	to +100 °C
v	to 4 m/s	to 6 m/s
p	max. 0,05 MPa/0,5 bar	max. 0,05 MPa/0,5 bar

Fitting & installation

Shaft

Tolerance	ISO h 11
Runout	IT 8
Roughness	$R_a = 0,2 \dots 0,8 \mu\text{m}$
	$R_z = 1,0 \dots 5,0 \mu\text{m}$
	$R_{\text{max}} = \leq 6,3 \mu\text{m}$
Hardness	45 ... 60 HRC
Finish	No lead; preferably plunge ground

Housing bore

Tolerance	ISO H8
Roughness	$R_z = 10 \dots 16 \mu\text{m}$

Careful fitting according to DIN 3760 is a prerequisite for the correct function of the seal → Technical Manual.

The use of sealing material on the outer diameter is recommended for the fitting.

Further information on enquiry.

Range of dimensions for shafts- $\varnothing D_1$

Simmerring Combi Seal SF6	30 ... 130 mm
---------------------------	---------------

Article list

D ₁	D ₂	b	Material	Article No.	
30	44	14	72 NBR 902	12013519	○
35	52	16	72 NBR 902	12013466	○
35	60	18,5	72 NBR 902	12014167	○
40	55	15,5	72 NBR 902	12018848	○
40	60	18,5	72 NBR 902	12012107	○
40	65	18,5	72 NBR 902	12013226	○
42	62	21,5	72 NBR 902	12016507	○
45	65	18,5	72 NBR 902	12012377	○
47	65	16,5	72 NBR 902	12015734	○
48	65	16,5	75 FKM 595	12017310	○
48	74	18,5	72 NBR 902	12017349	○
50	72	16,5	75 NBR 106200	12014048	○
55	82	16,5	75 NBR 106200	12014159	○
56	75	16,5	72 NBR 902	12012826	○
56	80	16	75 NBR 106200	12018868	○
58	80	16,5	72 NBR 902	12012468	○
58	82	16	75 FKM 595	12017237	○
65	92	18	72 NBR 902	12013465	○
70	90	16,5	75 NBR 106200	12013784	○
70	95	15	72 NBR 902	12012318	○
80	100	18	72 NBR 902	12014976	○
130	154	18	72 NBR 902	12015132	○

● Available from stock ○ On request: Tool is available, delivery at short notice

Simmerring Combi Seal SF8

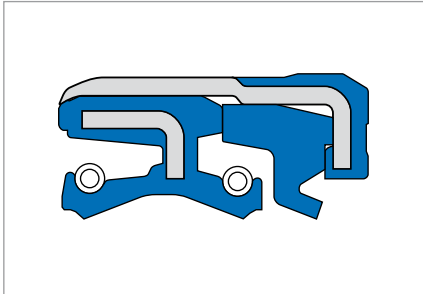


Fig. 1 Simmerring Combi Seal SF8

Product description

- Design: special types, on enquiry
- Static seal on the outer diameter (in comparison to the Combi SF6)
- Combination of a Simmerring and an additional seal against dirt from the outside in one housing
- Spring-loaded sealing lip
- Additional dust lip
- Primarily for usage in all applications with high level of soiling, e.g., in axles for off-road vehicles
- Use preferably instead of the Simmerring Cassette Seal in case of superimposed rotational and translation movements.

Product advantages

- Long service life
- High resistance to dirt ingress due to the optimal positioning of sealing lip and dust lip.

Performance in relation to dirt from the outside

- High resistance to dirt from the outside. Suitable for protection against sludge.

Application

- Agricultural machinery
- Transmissions drives for agricultural vehicles and in general industry.
- For rotating, sometimes running shafts in wet /moist application areas.

Material

Acrylonitrile-butadiene rubber

Code	75 NBR 106200
Colour	Black
Hardness	75 Shore A

Fluoro elastomer

Code	75 FKM 595
Colour	Red brown
Hardness	75 Shore A

Metal insert	Unalloyed steel DIN 1624 – EN10139
Spring	Spring steel 17223
Dirt wiper	Polyurethane (AU)

Operating conditions

Materials combination	NBR/AU	FKM/AU
T	to +80 °C	to +100 °C
v	to 4 m/s	to 6 m/s
p	max. 0,05 MPa/0,5 bar	max. 0,05 MPa/0,5 bar

For material definitions, it must be taken into account that it is possible that not all extreme conditions will occur simultaneously.

Fitting & installation

Shaft

Tolerance	ISO h11
Runout	IT 8
Roughness	$R_a = 0,2 \dots 0,8 \mu\text{m}$
	$R_z = 1,0 \dots 5,0 \mu\text{m}$
	$R_{\text{max}} = \leq 6,3 \mu\text{m}$
Hardness	45 ... 60 HRC
Finish	No lead; preferably plunge ground

Housing bore

Tolerance	ISO H8
Roughness	$R_z = 10 \dots 16 \mu\text{m}$

Careful fitting according to DIN 3760 is a prerequisite for the correct function of the seal → Technical Manual.

Further information on enquiry.

Range of dimensions for shafts- $\varnothing D_1$

Simmerring Combi Seal SF8	37 ... 75 mm
---------------------------	--------------

Article list

D ₁	D ₂	b	Material	Article No.	
37	52	16	72 NBR 902	12014511	<input type="radio"/>
45	60	16	72 NBR 902	12014977	<input type="radio"/>
50	65	18	72 NBR 902	12018616	<input type="radio"/>
55	80	16	72 NBR 902	12013931	<input type="radio"/>
60	75	16	72 NBR 902	12013740	<input type="radio"/>
75	95	16,5	72 NBR 902	12014456	<input type="radio"/>

● Available from stock ○ On request: Tool is available, delivery at short notice

Simmerring Combi Seal SF19

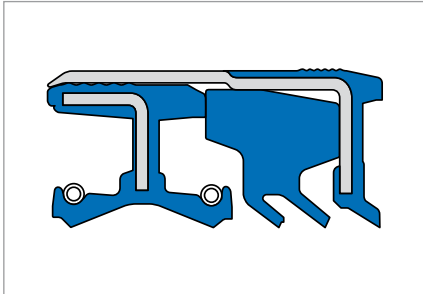


Fig. 1 Simmerring Combi Seal SF19

Product description

- Design: special types, on enquiry
- Combination of a Simmerring and an additional seal against dirt from the outside in one housing
- Spring-loaded sealing lip
- Additional dust lip for preventing the ingress of dirt and for protection under extreme operating conditions
- Primarily for usage in all applications with high level of soiling, e.g., in axles for off-road vehicles
- Use preferably instead of the Simmerring Cassette Seal in case of superimposed rotational and translation movements.

Product advantages

- Long service life
- High resistance to dirt ingress due to the optimal positioning of sealing lip and dust lip.

Performance in relation to dirt from the outside

- High resistance to dirt from the outside. Suitable for protection against sludge.

Application

- Agricultural machinery
- For extreme dirt ingress and critical applications
- Drives for agricultural vehicles and in general industry.

Material

Acrylonitrile-butadiene rubber

Code	75 NBR 106200
Colour	Black
Hardness	75 Shore A

Fluoro elastomer

Code	75 FKM 595
Colour	Red brown
Hardness	75 Shore A

Metal insert	Unalloyed steel DIN 1624 – EN10139
Spring	Spring steel 17223
Dirt wiper	Polyurethane (AU)

Operating conditions

Materials combination	NBR/AU	FKM/AU
T	to +80 °C	to +100 °C
v	to 4 m/s	to 6 m/s
p	max. 0,05 MPa/0,5 bar	max. 0,05 MPa/0,5 bar

For material definitions, it must be taken into account that it is possible that not all extreme conditions will occur simultaneously.

Fitting & installation

Shaft

Tolerance	ISO h11
Runout	IT 8
Roughness	$R_a = 0,2 \dots 0,8 \mu\text{m}$
	$R_z = 1,0 \dots 5,0 \mu\text{m}$
	$R_{\text{max}} = \leq 6,3 \mu\text{m}$
Hardness	45 ... 60 HRC
Finish	No lead; preferably plunge ground

Housing bore

Tolerance	ISO H8
Roughness	$R_z = 10 \dots 16 \mu\text{m}$

Careful fitting according to DIN 3760 is a prerequisite for the correct function of the seal → Technical Manual.

Further information on enquiry.

Range of dimensions for shafts $\varnothing D_1$

Simmerring Combi Seal SF19	37 ... 75 mm
----------------------------	--------------

Article list

D ₁	D ₂	b	Material	Article No.	
30	44	17	75 NBR 106200	12020067	<input type="radio"/>
40	65	27,5	75 NBR 106200	12020191	<input type="radio"/>
42	62	23	75 NBR 106200	12020023	<input type="radio"/>
45	75	27,5	75 NBR 106200	12020036	<input type="radio"/>
47	65	19	75 NBR 106200	12020133	<input type="radio"/>
52	72	16,5	75 NBR 106200	12020074	<input type="radio"/>

● Available from stock ○ On request: Tool is available, delivery at short notice

Sealing Cover GA, GSA

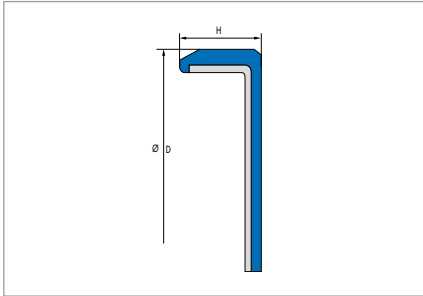


Fig. 1 Sealing Cover GA

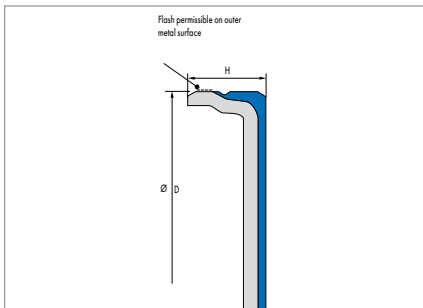


Fig. 2 Sealing Cover GSA

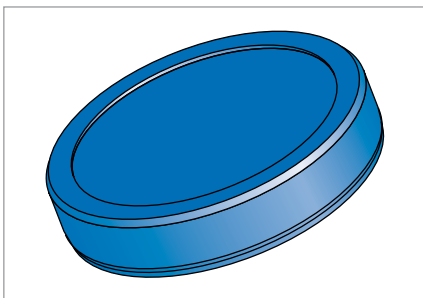


Fig. 3 Sealing Cover GA – Top view

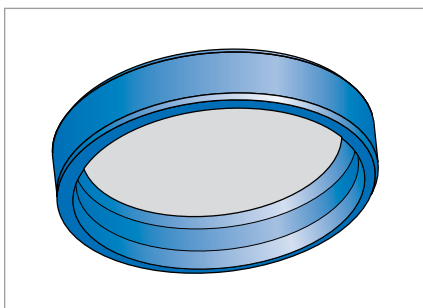


Fig. 4 Sealing Cover GA – Bottom view

Product description

- GA (normal design, rubber outside): sealing cover with vulcanised metal inserts made of sheet steel
- GSA (special design, rubber/steel outside): sealing cover with vulcanised metal inserts made of sheet steel with metal seat (H8).

Product advantages

- Secure sealing to the housing bore, even with increased roughness of the bore, higher thermal expansion and split housings
- Very stable construction
- Can be painted
- Variety of standard versions.

Material

Sealing cover for the static sealing of boreholes in housings with press fitting e.g. shaft pass through walls in gearbox housings.

Material

Acrylonitrile-butadiene rubber

Designation	75 NBR 99004
Colour	Black
Hardness	approx. 75 Shore A
Metal insert	unalloyed steel DIN EN 10139 (DIN 1624)

Sealing covers made of other materials and in other dimensions available on enquiry.

Operating conditions

Media	All common mineral oils
Temperature	-40 ... +100 °C

Fitting & installation

Design of locating bore

Tolerance	ISO H8
Roughness type GA	$R_{max} \leq 25 \mu m$ $R_a = 1,6 \dots 6,3 \mu m$ $R_z = 10 \dots 25 \mu m$
Roughness type GSA	$R_{max} \leq 16 \mu m$ $R_a = 0,8 \dots 3,2 \mu m$ $R_z = 6,3 \dots 16 \mu m$

Article list

D	H	Material	Type	Article No.	
19	7	75 NBR M99004	GA	506544	●
22	4	75 NBR M99004	GA	456944	●
22	5	75 NBR M99004	GSA	506567	●
22	8	75 NBR M99004	GA	426125	○
24	7	75 NBR M99004	GA	421453	○
28	4	75 NBR M99004	GA	506547	●
28	7	75 NBR M99004	GA	506548	○
28	7	75 NBR M99004	GSA	506568	●
30	5	75 NBR M99004	GA	506549	●
30	8	75 NBR M99004	GSA	506685	●
32	7	75 NBR M99004	GA	506550	●
35	7	75 NBR M99004	GA	450889	●
35	8	75 NBR M99004	GSA	506569	●
37	5	75 NBR M99004	GA	506551	●
37	7	75 NBR M99004	GSA	506570	●
40	7	75 NBR M99004	GA	452807	●
42	7	75 NBR M99004	GSA	506572	●
42	9,5	75 NBR M99004	GSA	506686	●
45	7	75 NBR M99004	GA	506552	●
47	7	75 NBR M99004	GA	506554	●
47	7	75 NBR M99004	GSA	506573	●
47	10	75 NBR M99004	GSA	506687	●
52	7	75 NBR M99004	GA	414626	●
52	7	75 NBR M99004	GSA	506574	●
52	10	75 NBR M99004	GSA	506575	●
55	10	75 NBR M99004	GA	450892	○
55	10	75 NBR M99004	GSA	503418	●
62	7	75 NBR M99004	GA	506556	●
62	8	75 NBR M99004	GSA	440418	●
62	10	75 NBR M99004	GA	506558	○
72	9	75 NBR M99004	GSA	506576	●
72	10	75 NBR M99004	GA	506559	●
80	10	75 NBR M99004	GA	506561	●
80	12	75 NBR M99004	GSA	506577	●
85	10	75 NBR M99004	GA	506562	●
90	10	75 NBR M99004	GA	506563	●
90	12	75 NBR M99004	GSA	506578	●
100	10	75 NBR M99004	GA	506564	●
100	12	75 NBR M99004	GSA	506579	●

● Available from stock ○ On request: Tool is available, delivery at short notice

Simmerring Water Guard WA Type A

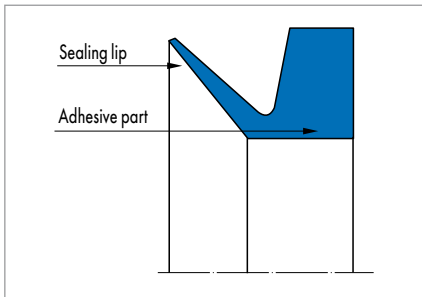


Fig. 1 Simmerring Water Guard WA Type A

Product description

Seal with an axially acting, wear-resistant sealing lip. Type A is the standard design for small housings.

Product advantages

Water guards are used in roller bearings for the retention of grease and to repel dust, scale, splash water, roller oil and similar media

- Especially low frictional forces
- High axial working capacity
- Easy fitting.

Application

Mills.

Material

Material	Code
NBR	60 NBR B297
FKM	65 FKM K698

FKM on enquiry.

Operating conditions

Material	60 NBR B297	65 FKM K698
	Temperature range in °C	
Mineral oils	–	
Water	+5 ... +100	+5 ... +80
Lubricating greases	–40 ... +100	–20 ... +150
Rolling oil emulsion	–	
Pressure p in MPa	0,03	
Running speed v in m/s	20*	

* The specifications refer to stationary WA. For circumferential seals, other limit values apply.

Surface quality

Peak-to-valley heights	R_a	R_{max}
Running surface	0,8 μm	$\leq 4 \mu\text{m}$
Housing	$\leq 4 \mu\text{m}$	$\leq 16 \mu\text{m}$

The surface hardness of the running surface must be approx. 30 HRC. Percentage contact area $M_r > 50\%$ to max. 90% at cutting depth $c = Rz/2$ and reference line $C_{ref} = 0\%$.

Design Notes

Please observe our general design notes in → Technical Manual.

Fitting & installation

Careful fitting is a prerequisite for the correct function of the seal. → Technical Manual.

Simmerring Water Guard WA Type AX

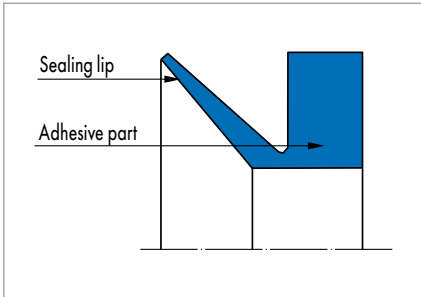


Fig. 1 Simmerring Water Guard WA Type AX

Product description

Seal with an axially acting, wear-resistant sealing lip. Type AX is designed for heavy loads and high deflections.

Product advantages

Water guards are used in roller bearings for the retention of grease and to repel dust, scale, splash water, roller oil and similar media

- Especially low frictional forces
- High axial working capacity
- Easy fitting.

Application

Mills.

Material

Material	Code
NBR	60 NBR B297
FKM	65 FKM K698

Operating conditions

Material	60 NBR B297	65 FKM K698
	Temperature range in °C	
Mineral oils	-	
Water	+5 ... +100	+5 ... +80
Lubricating greases	-40 ... +100	-20 ... +150
Rolling oil emulsion	on enquiry	
Pressure p in MPa	0,03	
Running speed v in m/s	20*	

* The specifications refer to stationary WA. For circumferential seals, other limit values apply.

Surface quality

Peak-to-valley heights	R _a	R _{max}
Running surface	0,8 µm	≤4 µm
Housing	≤4 µm	≤16 µm

The surface hardness of the running surface must be approx. 30 HRC. Percentage contact area M_r > 50% to max. 90% at cutting depth c = Rz/2 and reference line C ref = 0%.

Design Notes

Please observe our general design notes in → Technical Manual.

Fitting & installation

Careful fitting is a prerequisite for the correct function of the seal. → Technical Manual.

Profiles for Rotatory Applications

Product overview

- Profiles
 - U-rings
 - Mating rings for U-rings
 - X Profiles
 - Other special profiles
- Cords
 - Cord
 - Cord rings.

Product description

Special profiles or cords are utilised whenever large sealing contact areas cannot be effectively sealed by form seals or O-rings, for example, in tunnelling machines, ships engines and hatchways. Over 3500 different profile nozzles as well as numerous materials area available. In addition, the development and production of customer-specific designs is possible, where the tool costs are very low compared to shape related components.

Product advantages

- Sealing large seal contact areas that cannot be sealed by an O-ring or a shape related component
- Customer-specific product development
- Low tool costs in comparison to shape related components
- In-house tool construction to ensure short supply times
- All common elastomers can be utilised
- Special materials competency
- Low number of pieces/amounts possible
- Profile rings in NBR and FKM are available with vulcanisation to butt. Advantages of batch vulcanisation:
 - Peak tensile strength values

- Identical elastomer as connecting element provides long-lasting durability.

Application

Components manufactured from profiles perform sealing tasks in numerous industrial sectors.

- Heavy-duty mechanical engineering, e.g. tunnel driving technology, cement/rock mills
- Plant engineering, e.g. turbines, shut-off valves, process cylinders
- Prime movers, e.g. ships' engines

- Separators, e.g. filtering technology, large separators
- Mechanical engineering, e.g. industrial washing machines, rotating assemblies
- Chemical industry, e.g. bins/reaction vessels, dosing units/dosing pumps
- Medical technology, e.g. diagnostic equipment components, dosing units
- Foodstuffs industry, e.g. industrial juice presses, separators, and butchering machines.

Material

Besides the common materials with shorter delivery times, numerous special materials are also offered. These feature outstanding quality and durability. In the

following overview, suitable materials can be selected according to their requirements.

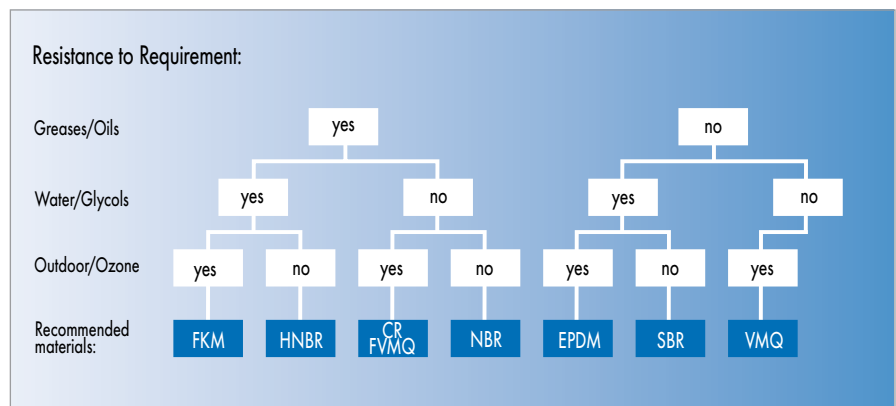


Fig.1 Material configuration

Material	Colour	Operating temperature range
50 NBR 121*	Black	-30 ... +90 °C
60 NBR 122	Black	-30 ... +90 °C
70 NBR 221	Black	-25 ... +90 °C
70 NBR 803	Grey	-25 ... +90 °C
70 NBR 173216	Black	-30 ... +70 °C
72 NBR 872	Black	-30 ... +100 °C
79 NBR 105	Black	-30 ... +90 °C
80 NBR 709*	Black	-30 ... +90 °C
85 NBR 714	Black	-20 ... +90 °C
88 NBR 101	Black	-30 ... +100 °C
39 CR 174240*	Grey	-40 ... +80 °C
55 CR 852	Black	-40 ... +110 °C
67 CR 853	Black	-40 ... +110 °C
67 CR 215595	Black	-40 ... +80 °C
58 EPDM 215550	grey	-40 °C ... +120 °C
70 EPDM 275	Black	-40 °C ... +120 °C
70 FKM 598	Green	-15 °C ... +200 °C
70 FKM 215450	Black	-10 °C ... +200 °C
72 FKM 588	Black	-10 °C ... +200 °C
60 FVMQ 143026	Beige	-80 °C ... +175 °C
50 VMQ 570	Beige	-40 °C ... +200 °C
50 VMQ 114721	Yellow transparent	-40 °C ... +180 °C
58 VMQ 518	Red brown	-40 °C ... +200 °C
60 VMQ 114722	Yellow transparent	-40 °C ... +180 °C
70 VMQ 114723	Yellow transparent	-40 °C ... +180 °C
78 VMQ 526	red	-40 °C ... +200 °C

* Special material on enquiry

Design notes

Tolerances

All profiles and cords are manufactured to DIN ISO 3302-1 E2. In special cases, production to E1 is also possible. Limits for dimensions of cross sections of extruded components not supported (all dimensions in mm):

Nominal dimension		Tolerance class	
over	to	E1*	E2
0	1,5	0,15	0,25
1,5	2,5	0,20	0,35
2,5	4,0	0,25	0,40
4,0	6,3	0,35	0,50
6,3	10,0	0,40	0,70
10	16	0,50	0,80
16	25	0,70	1,00
25	40	0,80	1,30
40	63	1,00	1,60
63	100	1,30	2,00

* Partially possible in individual cases

Other special profiles

Profiles can be produced and supplied as follows:

- By the metre
 - With/without integral bend
- Profile sections
 - Produced to customer requirements (up to 2000 mm without integral bend possible)
- Profile rings
 - Bonded to butt or batch vulcanised.

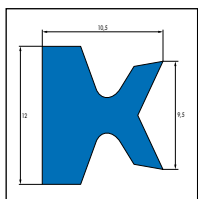
Profile nozzles

Below is a selection of the 3500 profile nozzles in stock.

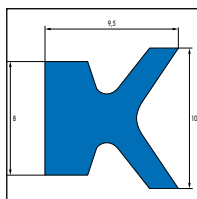
Individual tools can be developed and produced for special designs on enquiry.

This normally takes around 4 weeks.

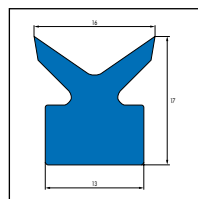
More information → Special Sealing Products catalog.



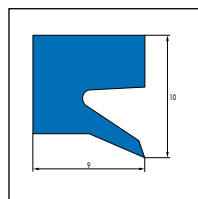
Profile 417



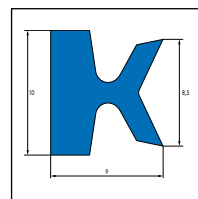
Profile 423



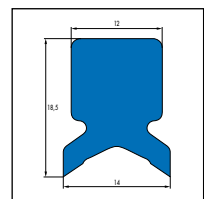
Profile 892



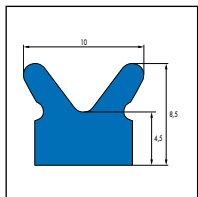
Profile 1101



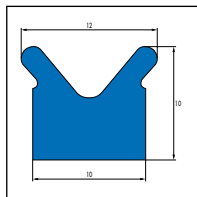
Profile 1123



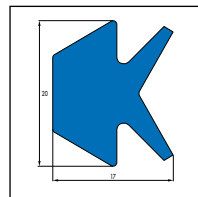
Profile 1347



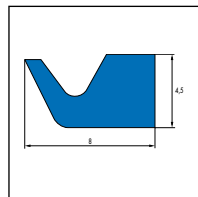
Profile 1644



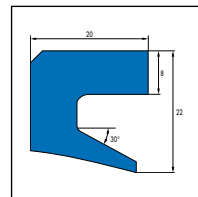
Profile 1868



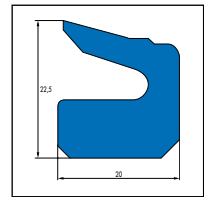
Profile 2212



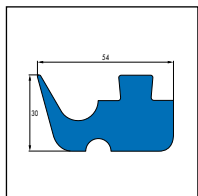
Profile 2345



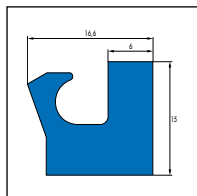
Profile 2414



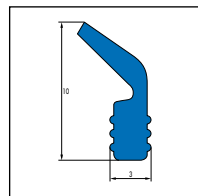
Profile 2424



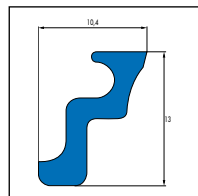
Profile 2449



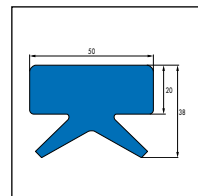
Profile 2529



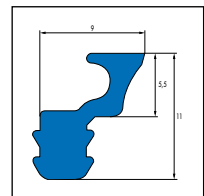
Profile 2757



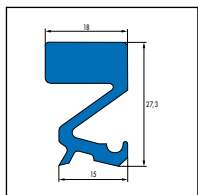
Profile 2849



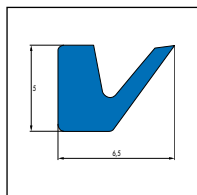
Profile 2938



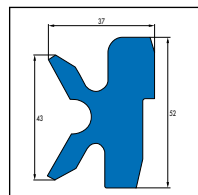
Profile 3061



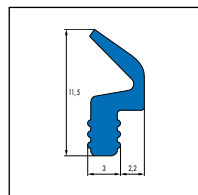
Profile 3255



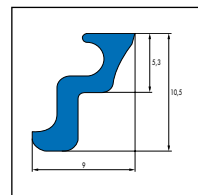
Profile 3279



Profile 20088



Profile 20269



Profile 20276

Query Order

Please copy this form and send your query or order to the fax number +49 (0) 18 03 - 74 67 48.
 You can also, of course, forward the filled out form directly to your personal Simrit contact person.

Company

Last name, first name

Street

Postal code, city

Country

Product code	Dimensions	Material	Article No.	Quantity	Remarks

Company stamp

Date / Signature

Your Technology Specialist



Catalog Overview

**Clearly laid out and useful:
the new Simrit catalog for
individual offerings**

Quickly and clearly find exactly the right product for your application. Simrit now offers you for every product range a complete reference source for especially easy ordering. Along with the detailed list of items, our catalogs provide valu-

able information on design types, important services and things worth knowing about technology and applications.

Simply order our catalog or Technical Manual now at www.simrit.com.

Simmerrings and Rotary Seals



Seals for Fluid Power



O-Rings and Static Seals



Special Sealing Products



Vibration Control



Technical Manual



Simrit Service Centers and Simrit Partners Worldwide

Europe	Telephone	Fax	E-mail
Austria	+43 (0) 72 42 47 36 10	+43 (0) 72 42 47 36 120	marchtrenk@simrit.at
Belarus	+375 29 645 10 98	+375 17 295 10 98	info@simrit.by
Belgium	+33 (0) 3 20 61 22 64	+33 (0) 3 20 61 22 68	belux@simrit.fr
Czech Republic	+420 2 71 72 21 87	+420 2 71 72 35 63	simrit@simrit.cz
Denmark	+45 (0) 44 92 18 33	+45 (0) 44 92 25 20	info@simrit.dk
Finland	+358 (0) 94 52 01 80	+358 (0) 94 52 01 822	info@simrit.fi
France	+33 (0) 3 85 29 30 00	+33 (0) 3 85 29 30 87	simrit@simrit.fr
Germany	+49 (0) 18 05 74 67 48	+49 (0) 18 03 74 67 48	info@simrit.de
Great Britain	+44 (0) 14 55 20 44 44	+44 (0) 14 55 20 44 55	info@simrit.com
Hungary	+36 1 239 31 40	+36 1 239 31 43	info@simrit.hu
Italy	+39 045 85 17 600	+39 045 85 17 650	vendite@corcos-simrit.it
Norway	+47 64 83 01 70	+47 64 83 01 71	info@simrit.no
Poland	+48 (0) 2 28 33 77 16	+48 (0) 2 28 33 58 97	simrit@simrit.com.pl
Portugal	+34 93 573 87 08	+34 93 570 49 65	simrit.iberica@simrit.es
Rumania	+40 (0) 2 68 32 01 59	+40 (0) 2 68 32 55 90	simrit.brasov@simrit.ro
Russia	+7 495 380 06 50	+7 495 380 06 51	info@simrit.ru
Slovakia	+421 85 44 83 14 59	+421 85 44 83 14 59	info@simrit.sk
Spain	+34 93 573 87 08	+34 93 570 49 65	simrit.iberica@simrit.es
Sweden	+46 (0) 8 70 52 700	+46 (0) 8 83 81 63	info@simrit.se
Switzerland	+41 (0) 1 30 64 42 2	+41 (0) 1 30 27 00 2	info@simrit.ch
Turkey	+90 (0) 216 593 11 18	+90 (0) 216 593 11 18	info@simrit.de
Ukraine	+380 50 352 61 83	+380 44 236 05 43	info@simrit.com.ua
America	Telephone	Fax	E-mail
Brazil	+55 11 4072 8000	+55 11 4075 4635	simritsa@fngp.com
Mexico	+52 442 192 3200	+52 442 221 6319	rzrn@fngp.com
USA	+1 (866) 274 6748	+1 (734) 354 5500	information@simrit.us
Asia	Telephone	Fax	E-mail
China	+86 21 50 36 69 00	+86 21 50 36 63 07	simrit@nfgc.com.cn
India	+91 (0) 11 28 11 79 60	+91 (0) 11 28 11 79 93	sales@sfnindia.com
Japan	+81 45 548 1123	+81 45 545 4759	yosinaba@nok.co.jp
Singapore	+65 (6) 265 32 33	+65 (6) 265 52 42	nacmail@nok.com.sg

Further Simrit Service Centers and Simrit Distributors can be found at www.simrit.com.

www.simrit.com

simrit®