



久大軸承有限公司
JOTA BEARING CO., LTD.



含油軸承
Oilless Bearings

SF系列複合軸承 SF Series Bushes

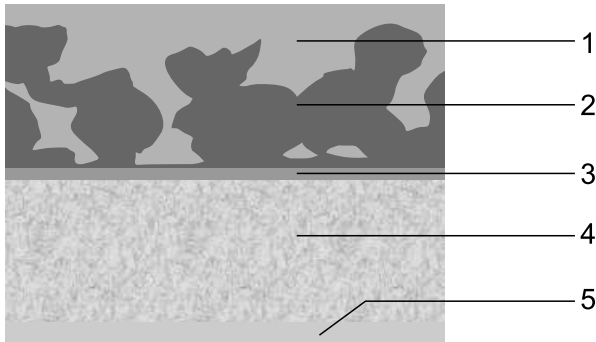
SF-1、SF-2的結構 Structure of SF-1, SF-2 bearing materials

SF-1是由PTFE複合材料制成的無油潤滑軸承，是將錫青銅球粉燒結到鍍銅鋼板上形成多孔層，然後將PTFE和鉛的混合物軋制到燒結層的表面。

SF-1 is a kind of Oilless Slide Bushing made of the PTFE composite material, which is a copper-plated steel plate on to which a porous layer of tin bronze powder is sintered and also a mixture of PTFE and lead are filled into and covered the porous layer by a rolling process.

SF2是由POM複合材料制成的邊界潤滑軸承，是以鍍銅鋼板為基體，中間層為燒結錫青銅粉，表面牢固軋制改性聚甲醛（POM）材料，其上有許多微孔以儲存潤滑劑。

SF-2 is a boundary lubricating bushes made of the POM composite material, which also has a copper-plated steel plate on to which a tin bronze powder is sintered, modified polyformaldehyde resin (POM) is firmly anchored in the sintered bronze layer. The surface of covering layer has many pockets to retain lubricating grease.

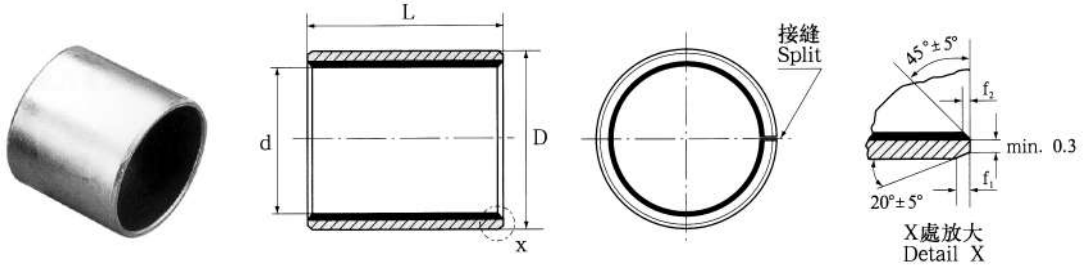


	SF-1	SF-2
1	聚四氟乙烯與鉛 PTFE and lead	改性聚甲醛 POM
2	錫青銅粉 Tin Bronze Powder	錫青銅粉 Tin Bronze Powder
3	鍍銅層 Copper Layer	鍍銅層 Copper Layer
4	鋼背 Steel Backing	鋼背 Steel Backing
5	鍍銅層 Copper Layer	鍍銅層 Copper Layer

SF-1, SF-2的性能 Properties of SF-1, SF-2 bearing materials

項目 Item/Material	抗壓強度 Compressive strength (Mpa)	工作溫度 Temperature range (°C)	摩擦系數 Coefficient of friction	磨痕寬度 width of wear (mm)	極限PV值 PV factor limit (MPa · m/s)	磨損極限 Wear depth Limit (mm)	導熱系數 Thermal Comductivity Kcal/M.br.C	熱漲系數 Coefficient of Linear expansion (per C)
SF-1	280	-195~+270	<0.20	<5.5	3.6	0.05	2.41	27x10 ⁻⁵
SF-2	140	-20~+100	<0.20(脂) (grease)	<4.5(脂) (grease)	10(脂) (grease)	0.50	2.03	5.1x10 ⁻⁵

SF-1標準軸承尺寸(mm) Standard Series of SF-1 Bushes



Unit:mm

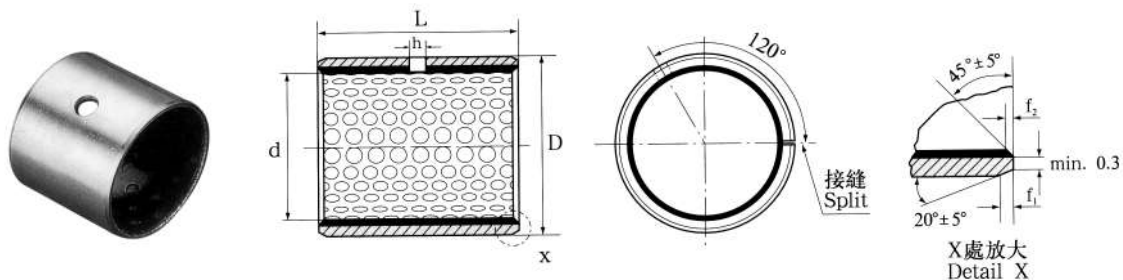
d	D	軸徑 Axle	座孔 Housing H7	壁厚 Wall thickness		f ₁	f ₂	長度 L ⁰ ($< \phi 28$ L-0.3) _{-0.40 ($> \phi 30$ L-0.4)}															
				最小 min	最大 max			6	8	10	12	15	20	25	30	40	50	60					
6	8	6 ^{-0.013 -0.028}	8 ^{+0.015}	0.980	1.005	0.5	0.3	0606	0608	0610													
8	10	8 ^{-0.013 -0.028}	10 ^{+0.015}					0806	0808	0810	0812	0815											
10	12	10 ^{-0.016 -0.034}	12 ^{+0.018}					1006	1008	1010	1012	1015	1020										
12	14	12 ^{-0.016 -0.034}	14 ^{+0.018}					1206	1208	1210	1212	1215	1220	1225									
13	15	13 ^{-0.016 -0.034}	15 ^{+0.018}							1310			1320										
14	16	14 ^{-0.016 -0.034}	16 ^{+0.018}							1410	1412	1415	1420	1425									
15	17	15 ^{-0.016 -0.034}	17 ^{+0.018}							1510	1512	1515	1520	1525									
16	18	16 ^{-0.016 -0.034}	18 ^{+0.018}							1610	1612	1615	1620	1625									
17	19	17 ^{-0.016 -0.034}	19 ^{+0.021}			1710	1712		1720														
18	20	18 ^{-0.016 -0.034}	20 ^{+0.021}			1810	1812	1815	1820	1825													
20	23	20 ^{-0.020 -0.041}	23 ^{+0.021}	1.475	1.505	0.8	0.4		2010	2012	2015	2020	2025	2030									
22	25	22 ^{-0.020 -0.041}	25 ^{+0.021}					2210	2212	2215	2220	2225	2230										
24	27	24 ^{-0.020 -0.041}	27 ^{+0.021}							2415	2420	2425	2430										
25	28	25 ^{-0.020 -0.041}	28 ^{+0.021}					2510	2512	2515	2520	2525	2530	2540	2550								
28	32	28 ^{-0.020 -0.041}	32 ^{+0.025}	1.970	2.005	1.0	0.6		2815	2820	2825	2830	2840										
30	34	30 ^{-0.020 -0.041}	34 ^{+0.025}						3012	3015	3020	3025	3030	3040									
32	36	32 ^{-0.025 -0.050}	36 ^{+0.025}							3220		3230	3240										
35	39	35 ^{-0.025 -0.050}	39 ^{+0.025}						3512	3515	3520	3525	3530	3540	3550								
38	42	38 ^{-0.025 -0.050}	42 ^{+0.025}						3815			3830	3840										
40	44	40 ^{-0.025 -0.050}	44 ^{+0.025}						4012		4020	4025	4030	4040	4050								



Unit:mm

d	D	軸徑 Axle	座孔 Housing H7	壁厚 Wall thickness		f ₁	f ₂	長度 L ⁰ -0.40									
				最小 min	最大 max			20	25	30	40	50	60	70	80	100	115
45	50	45 ^{-0.025} _{-0.050}	50 ^{+0.025}					4520	4525	4530	4540	4550					
50	55	50 ^{-0.025} _{-0.050}	55 ^{+0.030}					5020		5030	5040	5050	5060				
55	60	55 ^{-0.030} _{-0.060}	60 ^{+0.030}							5530	5540	5550	5560				
60	65	60 ^{-0.030} _{-0.060}	65 ^{+0.030}	2.460	2.505	1.2	0.8			6030	6040	6050	6060	6070			
65	70	65 ^{-0.030} _{-0.060}	70 ^{+0.030}							6530	6540	6550	6560	6570			
70	75	70 ^{-0.030} _{-0.060}	75 ^{+0.030}								7040	7050	7060	7070	7080		
75	80	75 ^{-0.030} _{-0.060}	80 ^{+0.030}								7530	7540	7550	7560	7570	7580	
80	85	80 ^{-0.030}	85 ^{+0.035}								8040	8050	8060	8070	8080	80100	
85	90	85 ^{-0.035}	90 ^{+0.035}								8540		8560		8580	85100	
90	95	90 ^{-0.035}	95 ^{+0.035}								9040	9050	9060		9080	90100	
95	100	95 ^{-0.035}	100 ^{+0.035}	2.440	2.490	1.4	0.8					9550	9560		9580	95100	
100	105	100 ^{-0.035}	105 ^{+0.035}									10050	10060		10080		100115
105	110	105 ^{-0.035}	110 ^{+0.035}										10560		10580		105115
110	115	110 ^{-0.035}	115 ^{+0.035}										11060		11080		110115
120	125	120 ^{-0.035}	125 ^{+0.040}										12060		12080	120100	
125	130	125 ^{-0.040}	130 ^{+0.040}										12560			125100	125115
130	135	130 ^{-0.040}	135 ^{+0.040}										13060		13080	130100	
140	145	140 ^{-0.040}	145 ^{+0.040}	2.415	2.465	1.4	0.8						14060		14080	140100	
150	155	150 ^{-0.040}	155 ^{+0.040}										15060		15080	150100	
160	165	160 ^{-0.040}	165 ^{+0.040}										16060		16080	160100	160115
180	185	180 ^{-0.040}	185 ^{+0.046}												18080	180100	
190	195	190 ^{-0.046}	195 ^{+0.046}												19080	190100	
200	205	200 ^{-0.046}	205 ^{+0.046}	2.415	2.465	1.4	0.8						20060		20080	200100	
220	225	220 ^{-0.046}	225 ^{+0.046}												22080	220100	
250	255	250 ^{-0.046}	255 ^{+0.052}												25080	250100	
260	265	260 ^{-0.052}	265 ^{+0.052}	2.415	2.465	1.4	0.8								26080	260100	
280	285	280 ^{-0.052}	285 ^{+0.052}												28080	280100	
300	305	300 ^{-0.052}	305 ^{+0.052}												30080	300100	

SF-2標準軸承尺寸(mm) Standard Series of SF-2 Bushes



Unit:mm

d	D	軸徑 Axle	座孔 Housing H7	壁厚 Wall thickness		油孔 Oil hole	f ₁	f ₂	長度 L ⁰ _{-0.40}													
				最小 min	最大 max				10	15	20	25	30	35	40	45	50	60				
10	12	10 _{-0.022}	12 ^{+0.018}	0.955	0.980	4	0.5	0.3	1010	1015	1020											
12	14	12 _{-0.027}	14 ^{+0.018}						1210	1215	1220											
14	16	14 _{-0.027}	16 ^{+0.018}						1415	1420												
15	17	15 _{-0.027}	17 ^{+0.018}						1515	1520	1525											
16	18	16 _{-0.027}	18 ^{+0.018}						1615	1620	1625											
18	20	18 _{-0.027}	20 ^{+0.021}						1815	1820	1825											
20	23	20 _{-0.033}	23 ^{+0.021}	1.445	1.475	6	0.8	0.4	2015	2020	2025	2030										
22	25	22 _{-0.033}	25 ^{+0.021}						2215		2225											
25	28	25 _{-0.033}	28 ^{+0.021}						2515	2520	2525	2530										
28	32	28 _{-0.033}	32 ^{+0.025}	1.935	1.970	8	1.0	0.6			2820	2830										
30	34	30 _{-0.033}	34 ^{+0.025}						3020	3025	3030	3040										
35	39	35 _{-0.039}	39 ^{+0.025}						3520		3530	3535	3540									
40	44	40 _{-0.039}	44 ^{+0.025}						4020	4030	4040	4050										
45	50	45 _{-0.039}	50 ^{+0.025}	2.415	2.460	8	1.2	0.8			4520	4530	4540	4545	4550							
50	55	50 _{-0.039}	55 ^{+0.030}								5030	5040		5050	5060							
55	60	55 _{-0.046}	60 ^{+0.030}								5530	5540		5550	5560							
60	65	60 _{-0.046}	65 ^{+0.030}								6030	6040		6050	6060							

含油軸承



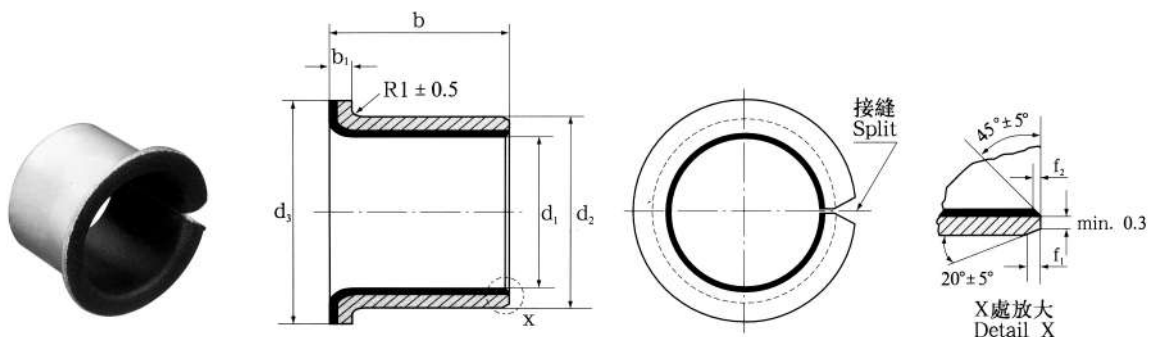
Unit:mm

d	D	軸徑 Axle	座孔 Housing H7	壁厚 Wall thickness		油孔 Oil hole	f ₁	f ₂	長度 L ⁰ _{-0.40}													
				最小 min	最大 max				40	50	60	80	90	95	100	110	120					
				65	70				65 ^{-0.046}	70 ^{+0.030}	2.415	2.460	8	1.2	0.8	6540		6560				
70	75	70 ^{-0.046}	75 ^{+0.030}	7040	7050		7080															
75	80	75 ^{-0.046}	80 ^{+0.030}	7540		7560	7580															
80	85	80 ^{-0.046}	85 ^{+0.035}	2.385	2.450	9.5	1.4	0.8	8040		8060	8080										
85	90	85 ^{-0.054}	90 ^{+0.035}						8540		8560	8580										
90	95	90 ^{-0.054}	95 ^{+0.035}						9040		9060	9080	9090									
100	105	100 ^{-0.054}	105 ^{+0.035}							10050		10080		10095								
105	110	105 ^{-0.054}	110 ^{+0.035}								10560	10580		10595		105110						
110	115	110 ^{-0.054}	115 ^{+0.035}						11060	11080		11095		110110								
120	125	120 ^{-0.054}	125 ^{+0.040}							12060	12080				120110							
125	130	125 ^{-0.063}	130 ^{+0.040}								12560					125110						
130	135	130 ^{-0.063}	135 ^{+0.040}								13050	13060	13080			130100						
140	145	140 ^{-0.063}	145 ^{+0.040}									14050	14060	14080			140100					
150	155	150 ^{-0.063}	155 ^{+0.040}							15050	15060	15080		150100								
160	165	160 ^{-0.063}	165 ^{+0.040}	2.385	2.450	9.5	1.4	0.8			16050	16060	16080		160100							
170	175	170 ^{-0.063}	175 ^{+0.040}										17050		17080			170100				
180	185	180 ^{-0.063}	185 ^{+0.046}											18050	18060	18080			180100			
190	195	190 ^{-0.072}	195 ^{+0.046}												19050	19060	19080		190100	190120		
200	205	200 ^{-0.072}	205 ^{+0.046}													20050	20060	20080		200100	200120	
220	225	220 ^{-0.072}	225 ^{+0.046}											22050	22060	22080		220100	220120			
240	245	240 ^{-0.072}	245 ^{+0.046}												24050	24060	24080		240100	240120		
250	255	250 ^{-0.072}	255 ^{+0.052}													25050	25060	25080		250100	250120	
260	265	260 ^{-0.081}	265 ^{+0.052}					9.5									26050	26060	26080		260100	260120
280	285	280 ^{-0.081}	285 ^{+0.052}															28050	28060	28080		280100
300	305	300 ^{-0.081}	305 ^{+0.052}														30050	30060	30080		300100	300120

注：孔徑壁厚符合樣本，長度尺寸不在上列範圍內，均可訂製加工。

Bushing Length other than listed may also be supplied to special orders.

SF-1F法蘭型標準軸承尺寸(mm) Standard Series of SF-1F Flanged Bush Bushes

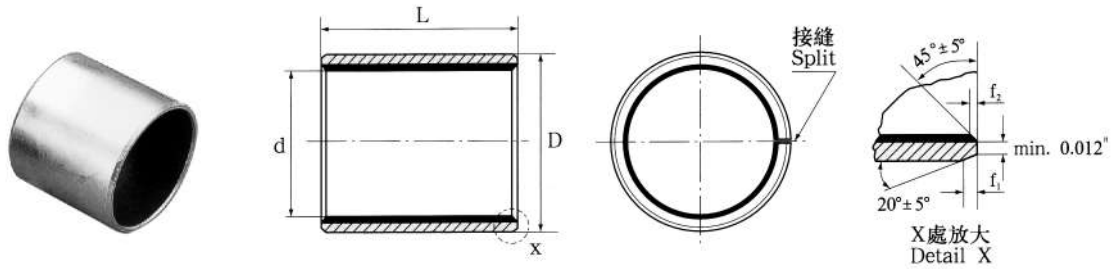


Unit:mm

軸徑 Axle	座孔 Housing H7	規格標誌 Designation	尺寸 size					f ₁	f ₂
			d ₁	d ₂	d ₃ ±0.5	b±2.5	b ₁ -0.2		
6 -0.013 -0.028	8 +0.015	SF-1F06040	6	8	12	4	1	0.5	0.3
		SF-1F06070				7			
8 -0.013 -0.028	10 +0.015	SF-1F08055	8	10	15	5.5	1	0.5	0.3
		SF-1F08075				7.5			
10 -0.016 -0.034	12 +0.018	SF-1F10070	10	12	18	7	1	0.5	0.3
		SF-1F10090				9			
		SF-1F10120				12			
12 -0.016 -0.034	14 +0.018	SF-1F12070	12	14	20	7	1	0.5	0.3
		SF-1F12090				9			
		SF-1F12120				12			
14 -0.016 -0.034	16 +0.018	SF-1F14120	14	16	22	12	1	0.5	0.3
		SF-1F14170				17			
15 -0.016 -0.034	17 +0.018	SF-1F15090	15	17	23	9	1	0.5	0.3
		SF-1F15120				12			
		SF-1F15170				17			
16 -0.016 -0.034	18 +0.018	SF-1F16120	16	18	24	12	1	0.5	0.3
		SF-1F16170				17			
18 -0.016 -0.034	20 +0.021	SF-1F18120	18	20	26	12	1	0.5	0.3
		SF-1F18170				17			
		SF-1F18200				20			
20 -0.020 -0.041	23 +0.021	SF-1F20115	20	23	30	11.5	1.5	0.8	0.4
		SF-1F20165				16.5			
		SF-1F20215				21.5			
22 -0.020 -0.041	25 +0.021	SF-1F22150	22	25	32	15	1.5	0.8	0.4
		SF-1F22220				20			
		SF-1F25115				11.5			
25 -0.020 -0.041	28 +0.021	SF-1F25165	25	28	35	16.5	1.5	0.8	0.4
		SF-1F25215				21.5			
		SF-1F30160				16			
30 -0.025 -0.050	34 +0.025	SF-1F30260	30	34	42	26	1.5	0.8	0.4
		SF-1F35160				16			
35 -0.025 -0.050	39 +0.025	SF-1F35260	35	39	47	26	2	1.0	0.6
		sF-1F40260				26			
40 -0.025 -0.050	44 +0.025	SF-1F40400	40	44	53	40	2	1.0	0.6
		SF-1F40400				40			



英制SF-1、SF-2、標準軸承尺寸(inch) Standard Series of SF-1, SF-2, Bushes



Unit:inch

推薦 Recommended		安裝軸承 Installed Bearing d	長度 Length ±0.015						
軸 Shaft Dia	孔 Housing Bore								
0.1243	0.1878	0.1268							
0.1236	0.1873	0.1243	02SF02	02SF03					
0.1554	0.2191	0.1581							
0.1547	0.2186	0.1556	025SF025	025SF04					
0.1865	0.2503	0.1893							
0.1858	0.2497	0.1867	03SF03	03SF04	03SF06				
0.2490	0.3128	0.2518							
0.2481	0.3122	0.2492	04SF04	04SF06					
0.3115	0.3753	0.3143							
0.3106	0.3747	0.3117	05SF06	05SF08					
0.3740	0.4691	0.3769							
0.3731	0.4684	0.3742	06SF03	06SF04	06SF06	06SF08	06SF10	06SF12	
0.4365	0.5316	0.4394							
0.4355	0.5309	0.4367	07SF08	07SF12					
0.4990	0.5941	0.5019							
0.4980	0.5934	0.4992	08SF04	08SF06	08SF08	08SF10	08SF12	08SF14	
0.5615	0.6566	0.5644							
0.5605	0.6559	0.5617	09SF06	09SF08	09SF10	09SF12			
0.6240	0.7192	0.6270							
0.6230	0.7184	0.6242	10SF04	10SF08	10SF10	10SF12	10SF14	10SF16	
0.6865	0.7817	0.6895							
0.6855	0.7809	0.6867	11SF14						
0.7491	0.8755	0.7525							
0.7479	0.8747	0.7493	12SF04	12SF06	12SF08	12SF10	12SF12	12SF16	
0.8116	0.9380	0.8150							
0.8104	0.9372	0.8118	13SF12	13SF18					
0.8741	1.0005	0.8775							
0.8729	0.9997	0.8743	14SF04	14SF06	14SF12	14SF16	14SF20		
0.9991	1.1255	1.0025							
0.9979	1.1247	0.9993	16SF06	16SF08	16SF12	16SF16	16SF20	16SF24	
1.1238	1.2818	1.1278							
1.1226	1.2808	1.1240	18SF06	18SF10	18SF12	18SF16			
1.2488	1.4068	1.2528							
1.2472	1.4058	1.2490	20SF06	20SF12	20SF14	20SF16	20SF20	20SF28	
1.3738	1.5318	1.3778							
1.3722	1.5308	1.3740	22SF12	22SF12	22SF24	22SF28			
1.4988	1.6568	1.5028							
1.4972	1.6558	1.4990	24SF08	24SF16	24SF18	24SF20	24SF24	24SF32	
1.6238	1.7818	1.6278							
1.6222	1.7808	1.6240	26SF16	26SF24					
1.7487	1.9381	1.7535							
1.7471	1.9371	1.7489	28SF16	28SF24	28SF32				
1.8737	2.0633	1.8787							
1.8721	2.0621	1.8739	30SF12	30SF16	30SF36				
1.9987	2.1883	2.0037							
1.9969	2.1871	1.9989	32SF08	32SF16	32SF24	32SF28	32SF32	32SF40	



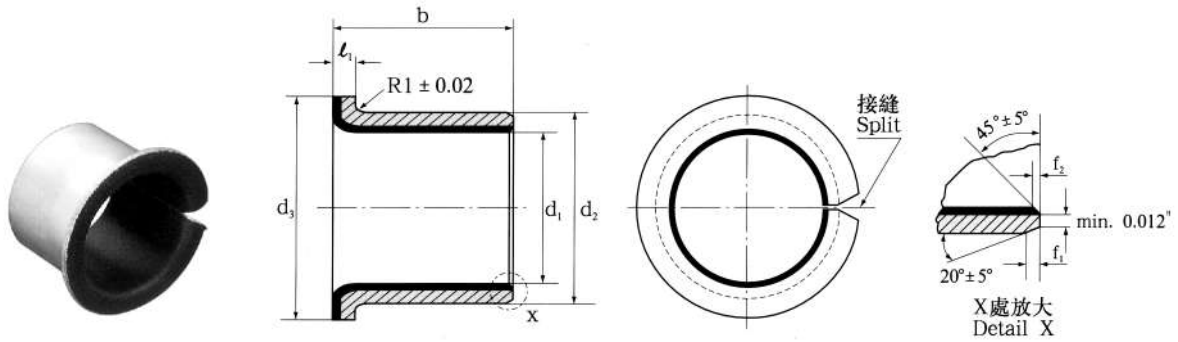
Unit:inch

推薦 Recommended		安裝軸承 Installed Bearing d	長度 Length ±0.015									
軸 Shaft Dia	孔 Housing Bore											
2.1257	2.3130	2.1326										
2.1239	2.3118	2.1262	34SF48									
2.2507	2.4377	2.2573										
2.2489	2.4365	2.2509	36SF28	36SF732	36SF40	36SF48	36SF56	36SF60	36SF64	36SF72		
2.5011	2.6881	2.5077										
2.4993	2.6869	2.5013	40SF16	40SF26	40SF32	40SF40	40SF48	40SF56	40SF60	40SF64	40SF72	40SF76
2.7500	2.9370	2.7566										
2.7482	2.9358	2.7502	44SF32	44SF36	44SF40	44SF48	44SF56	44SF60	44SF64	44SF72	44SF76	44SF80
2.8752	3.0623	2.8819										
2.8734	3.0610	2.8754	46SF32	46SF36	46SF40	46SF48	46SF56	46SF60	46SF64	46SF72	46SF76	46SF80
3.0000	3.1872	3.0068										
2.9982	3.1858	3.0002	48SF32	48SF36	48SF40	48SF48	48SF56	48SF60	48SF64	48SF72	48SF76	48SF80
3.2500	3.4372	3.2568										
3.2480	3.4358	3.2502	52SF32	52SF36	52SF40	52SF48	52SF56	52SF60	52SF64	52SF72	52SF76	52SF80
3.5000	3.6872	3.5068										
3.4978	3.6858	3.5002	56SF32	56SF36	56SF40	56SF48	56SF56	56SF60	56SF64	56SF72	56SF76	56SF80
3.6250	3.8122	3.6318										
3.6228	3.8108	3.6252	58SF32	58SF36	58SF40	58SF48	58SF56	58SF60	58SF64	58SF72	58SF76	58SF80
3.7500	3.9372	3.7568										
3.7478	3.9358	3.7502	60SF32	60SF36	60SF40	60SF48	60SF56	60SF60	60SF64	60SF72	60SF76	60SF80
4.0000	4.1872	4.0068										
3.9978	4.1858	4.0002	64SF32	64SF36	64SF40	64SF48	64SF56	64SF60	64SF64	64SF72	64SF76	64SF80
4.2500	4.4372	4.2568										
4.2478	4.4358	4.2502	68SF32	68SF36	68SF40	68SF48	68SF56	68SF60	68SF64	68SF72	68SF76	68SF80
4.3750	4.5622	4.3818										
4.3728	4.5608	4.3752	70SF32	70SF36	70SF40	70SF48	70SF56	70SF60	70SF64	70SF72	70SF76	70SF80
4.5000	4.6872	4.5068										
4.4978	4.6858	4.5002	72SF32	72SF36	72SF40	72SF48	72SF56	72SF60	72SF64	72SF72	72SF76	72SF80
4.7500	4.9374	4.7572										
4.7475	4.9358	4.7502	76SF732	76SF36	76SF40	76SF48	76SF56	76SF60	76SF64	76SF72	76SF76	76SF80
4.9986	5.1860	5.0056										
4.9961	5.1844	4.9988	80SF32	80SF36	80SF40	80SF48	80SF56	80SF60	80SF64	80SF72	80SF76	80SF80
5.2500	5.4374	5.2570										
5.2475	5.4358	5.2502	84SF32	84SF36	84SF40	84SF48	84SF56	84SF60	84SF64	84SF72	84SF76	84SF80
5.5000	5.6874	5.5070										
5.4975	5.6858	5.5002	88SF32	88SF36	88SF40	88SF48	88SF56	88SF60	88SF64	88SF72	88SF76	88SF80
5.7500	5.9374	5.7570										
5.7475	5.9358	5.7502	92SF32	92SF36	92SF40	92SF48	92SF56	92SF60	92SF64	92SF72	92SF76	92SF80
6.0000	6.1874	6.0070										
5.9975	6.1858	6.0002	96SF32	96SF36	96SF40	96SF48	96SF56	96SF60	96SF64	96SF72	96SF76	96SF80
6.2500	6.4374	6.2570										
6.2475	6.4358	6.2502	100SF32	100SF36	100SF40	100SF48	100SF56	100SF60	100SF64	100SF72	100SF76	100SF80
6.5000	6.6874	6.5070										
6.4975	6.6858	6.5002	104SF32	104SF36	104SF40	104SF48	104SF56	104SF60	104SF64	104SF72	104SF76	104SF80
6.7500	6.9374	6.7570										
6.7475	6.9358	6.7502	108SF32	108SF36	108SF40	108SF48	108SF56	108SF60	108SF64	108SF72	108SF76	108SF80
6.9954	7.1830	7.0026										
6.9929	7.1812	6.9956	112SF32	112SF36	112SF40	112SF48	112SF56	112SF60	112SF64	112SF72	112SF76	112SF80

含油軸承



英制SF-1F標準軸承尺寸(inch) Standard Series of SF-1F Flanged Bush Bushes



Unit:inch

軸 Shaft Dia	孔 Housing Bore	襯套內徑 Installed Bearing d ₁	法蘭直徑 Nominal Flange d ₂	法蘭壁厚 Flange Thickness l ₁	長度 Length ± 0.015			
0.3750	0.4691	0.3779	11/16	0.052				
0.3740	0.4684	0.3752		0.044	06FSF04	06FSF06	06FSF08	06FSF12
0.5000	0.5941	0.5029	13/16	0.052				
0.4990	0.5934	0.5002		0.044	08FSF04	08FSF06	08FSF08	08FSF12
0.6250	0.7192	0.6280	15/16	0.052				
0.6240	0.7184	0.6252		0.044	10FSF06	10FSF08	10FSF10	10FSF12
0.7500	0.8755	0.7534	1 1/8	0.068				
0.7488	0.8747	0.7502		0.060	12FSF06	12FSF08	12FSF12	12FSF16
0.8750	1.0005	0.8784	1 1/5	0.068				
0.8738	0.9997	0.8752		0.060	14FSF08	14FSF12	14FSF16	14FSF20
1.0000	1.1255	1.0034	1 3/8	0.068				
0.9988	1.1247	1.0002		0.060	16FSF08	16FSF12	16FSF16	16FSF20
1.2500	1.4068	1.2540	1 3/4	0.083				
1.2484	1.4058	1.2502		0.075	20FSF16	20FSF20	20FSF24	
1.5000	1.6568	1.5040	2	0.083				
1.4984	1.6558	1.5002		0.075	24FSF16	24FSF24	24FSF32	
1.7500	1.9381	1.7548	2 3/8	0.098				
1.7484	1.9371	1.7502		0.090	28FSF16	28FSF24	28FSF32	