

TSUBAKI DRIVE CHAINS & SPROCKETS



Catalog
ver. **1**



For a Greater Connection with Customers and the World

You need a...

Tsubakimoto Advances Development with

Example

To order two 171-link RS80-1-RP chains with connecting link (JL) and offset link (OL)

Ordering can now be done via single-line model numbering

RS80-1-RP+173L-MWJO-T 2H

Size

Number of strands

Pin type

Number of links (total)

End link

Other-end link

Options

Quantity/unit

With previous model numbering

When ordering long-length formations and other configurations, users were required to indicate these items separately. This made ordering complex and sometimes resulted in problems such as orders not being properly made or processed.

RS80-1-RP 342L

RS80-1-JL 2K (piece) Configuration specification
173Lx2H (incl. JL and OL)

RS80-1-OL 2K (piece) Long-length formation

LINK!

New Model Numbering and Order Methods

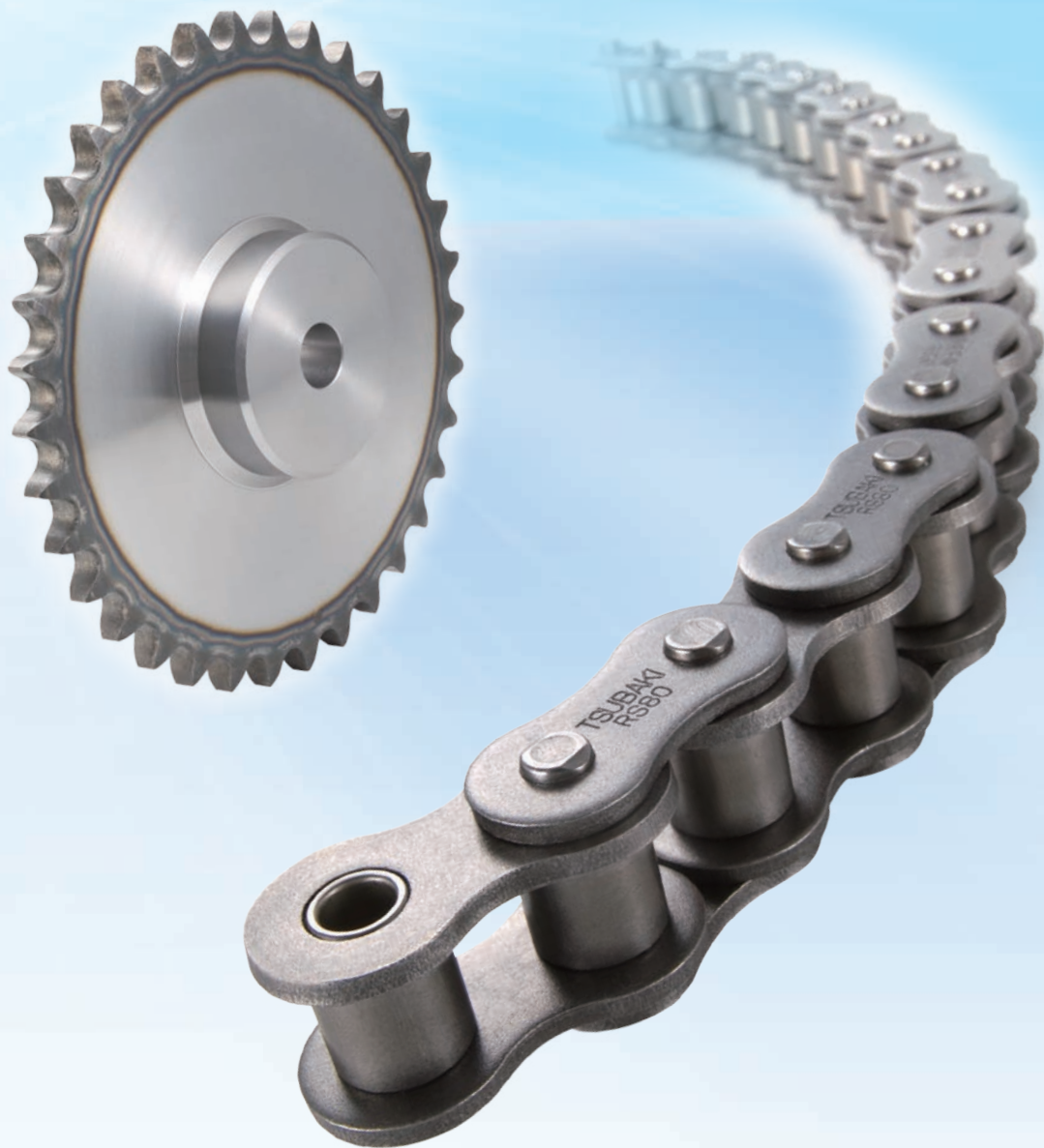


Table of Contents

Before Use p.9

Glossary -----	11
Roller Chain Construction -----	13
Roller Chain and Specialty Chain Lineup -----	15
Ordering RS Roller Chains -----	19
Ordering RS Sprockets -----	27

Standard Roller Chains p.29

RS Roller Chains feature even higher kilowatt ratings and better performance for each size.

RS Roller Chain -----	30
BS/DIN Standard RS Roller Chain -----	58


Lube Free Roller Chains p.76

These chains reduce your maintenance times, improve your work environment, and increase your productivity.

Lambda Chain -----	79
Lambda Chain NP Series -----	79
X-Lambda Chain -----	79
Lambda Chain KF Series -----	80
RS Double Strand Compatible Lambda Chain -----	80
Heavy Duty Lambda Chain -----	83
Curved Lambda Chain -----	83
BS/DIN Lambda Chain -----	84

Heavy Duty Roller Chains p.86

These chains provide higher kilowatt ratings, allowable loads, and greater tensile strength than RS Roller Chain, allowing users to go one to two sizes down.





 Super Roller Chain -----	89
 RS-HT Chain -----	92
 Super H Roller Chain -----	95
Ultra Super Roller Chain -----	96

Corrosion Resistant Roller Chains p.97

These chains provide resistance to a variety of operating environments.

Stainless Steel Roller Chain ----- (SS, NS, AS, and LSC Series)	102
Surface Treated Roller Chain ----- (NP,  NEP, and APP Series)	104
Titanium Roller Chain -----	107
Cold Resistant Roller Chain (KT Series) -----	107
Low Noise Chain -----	108
Poly Steel Chain -----	110
Curved Stainless Steel Roller Chain -----	110

◆ What the pictograms mean

-  **Chain number**
Indicates the page explaining the chain number.
-  **Sprockets**
Indicates the page showing the corresponding sprockets.
-  **Operating temperature range**
Indicates the page showing the corresponding operating temperature range.
-  **Engineering**
Indicates the pages on selection, handling, troubleshooting, and more.

Standard Roller Chain Model Numbering

This page shows the series, number of strands, as well as types of pins and connecting links size. Also refer to "Ordering RS Roller Chain" on page 19.
Customized items are also available. Please contact a Tsubaki representative.

1. Chains ordered by specifying the number of links, etc.

Size — Series — Number of strands — Pin type — Number of links — Termination symbol — Options

◆ Model numbering example
RS60-1-RP+80L-MCJR

2. Individual items, such as connecting links and offset links, ordered by quantity

Size — Series — Number of strands — Part name

◆ Model numbering example
RS140-1-MWJL
RS160-3-2POL

Note: Standard roller chains do not require series selection. However, for the series code, be sure to indicate H for RP25, and T for RF320 and RF400.

Pin type	column = size; row = no. of strands					
	1	2	3	4	5	6
RS15	RP	x	x	x	x	x
RS25	RP	RP	RP	RP	RP	RP
RS35	RP/CP	RP	RP	RP	RP	RP
RS40	RP/CP	RP/CP	RP	RP	RP	RP
RS50	RP/CP	RP/CP	RP	RP	RP	RP
RS60	RP/CP	RP/CP	RP/CP	RP	RP	RP
RS80	RP/CP	RP/CP	RP/CP	RP/CP	RP/CP	RP/CP
RS100	RP/CP	RP/CP	RP/CP	RP/CP	RP/CP	RP/CP
RS120	RP/CP	RP/CP	RP/CP	RP/CP	RP/CP	RP/CP
RS140	RP/CP	RP/CP	RP/CP	RP/CP	RP/CP	RP/CP
RS160	RP/CP	RP/CP	RP/CP	RP/CP	RP/CP	RP/CP
RS180	RP/CP	RP/CP	RP/CP	RP/CP	RP/CP	RP/CP

Termination symbol for connecting links and part names	column = size; row = no. of strands						All strands
	1	2	3	4	5	6	
RS15	MCJ	x	x	x	x	x	x
RS25	MCJ	MCJ	MCJ	MCJ	MCJ	MCJ	x
RS35	MCJ	MCJ	MCJ	MCJ	MWJ	MWJ	F
RS40	MCJ	MCJ	MWJ	MWJ	MWJ	MWJ	F
RS50	MCJ	MCJ	MWJ	MWJ	MWJ	MWJ	F
RS60	MCJ	MCJ	MWJ	MWJ	MWJ	MWJ	F
RS80	MWJ	MWJ	MWJ	MWJ	MWJ	MWJ	F
RS100	MWJ	MWJ	MWJ	MWJ	MWJ	MWJ	F
RS120	MWJ	MWJ	MWJ	MWJ	MWJ	MWJ	F
RS140	MWJ	MWJ	MWJ	MWJ	MWJ	MWJ	F
RS160	MWJ	MWJ	MWJ	MWJ	MWJ	MWJ	F
RS180	MWJ	MWJ	MWJ	MWJ	MWJ	MWJ	F

Tsubaki Eco Link



The Tsubaki Group cares about the environment. That is why we have established standards for evaluating the environmental friendliness of our products. Only products that meet our exacting guidelines are recognized as eco-products and certified with the Tsubaki Eco Link logo.

Specialty Roller Chains

p.111

These chains are designed for special applications.

Leaf Chain	112
RS Curved Chain	117

Sprockets

p.30

RS Sprocket Standard Series

Wide selection of standardized sprockets for general use RS Roller Chain.

Standard Pilot Bore	30
Hardened Teeth	34
RS Roller Chain BS/DIN Sprockets	60
Tough Tooth	120
2A Type	123
Single Dual	124
Stainless Steel	125
Engineering Plastic	129

Fit Bore

Coding is provided for the types of finishing for these finished-bore products.

Stock	132
Quick Delivery	133
Made to Order	134

Sprockets with Keyless Friction-type Locking Device

Lock Sprocket S Type	137
Lock Sprocket N Type	149

Other Specialty Sprockets


Torque limiter sprockets and other sprockets for special applications.

Torque Limiter Sprockets	151
Sprocket and Shaft Sets	171

Pin Gear Drives

p.154

Drive units utilizing Tsubaki's long experience in pin gear drives to provide better performance and easier mounting. (Available in linear and drive models.)

Sprockets for Chain-type Pin Gears	154
Attachment Chains for Chain-type Pin Gears	155
 Pin Gear Drive Units	157

Accessories

p.172

Peripheral instruments for your chain maintenance needs.

Chain Tensioners	173
FR Idler Sprockets	178
Chain Cutting Tools	179
Chain Connecting Tools	180
End Fixtures	181
Automatic Lubricators for Roller Chain	182
Easy-Laser	184
Chain Elongation Scales	185

Selection and Handling

p.186

Roller Chain Selection

Selection Guide	187
Service Factors	189
Provisional Selection Graph	190
Selection Formulae	192
General Selection Method	195
Allowable Load Selection Method	197
Lifting Transmission Examples	202
Shuttle Traction Examples	204
Chain-type Pin Gears	205
Chain-type Pin Gear Drive Selection Method	207
Calculating Moment of Inertia	211
Temperature Selection Method	212
Special Selection Method for Corrosion Resistant Chain	212
Corrosion Resistance Guide for Corrosion Resistant Chains and Sprockets	213

Handling Roller Chains and Sprockets

How to Cut Roller Chain	214
How to Connect Roller Chain	215
Roller Chain Lubrication	216
Layout and Installation of Roller Chain	218
Sprockets	220
Chain Test Run	221
Roller Chain Inspection	221
Cautions on Use in Special Environments	225
Troubleshooting	226
Roller Chain Inquiry Sheet	230
For Safe Use	231



Tsubaki G8 Series Drive Chain

G8 Series RS Roller Chain



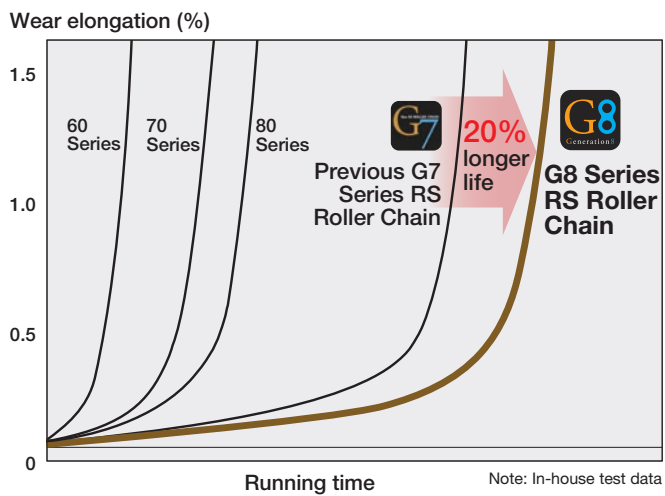
p.29-



20% longer wear life
(compared to G7 Series)

Anti-rust lubrication minimizes tackiness and increases handleability

Evolution of chain wear life



G8 Series LAMBDA Chain

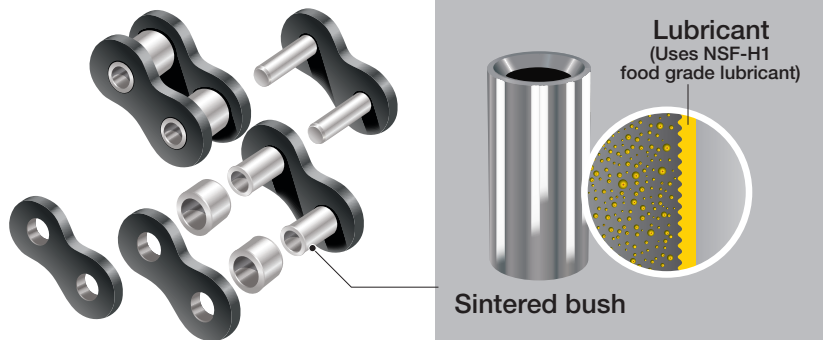


p.76-



Oil impregnated sintered bushes use NSF-H1 certified oil

Basic Lambda Chain construction



Long life without additional lubrication

G8 Series Lambda Chain can offer up to twice the wear life* of previous Lambda Chain under particular conditions.

*In-house test results; actual results will vary depending on operating conditions.

G8 Series Heavy Duty Chain

Super Chain/RS-HT Chain/Super-H Chain



p.86-



Super Chain

5-10%
higher maximum
allowable load than
the previous series



RS-HT Chain

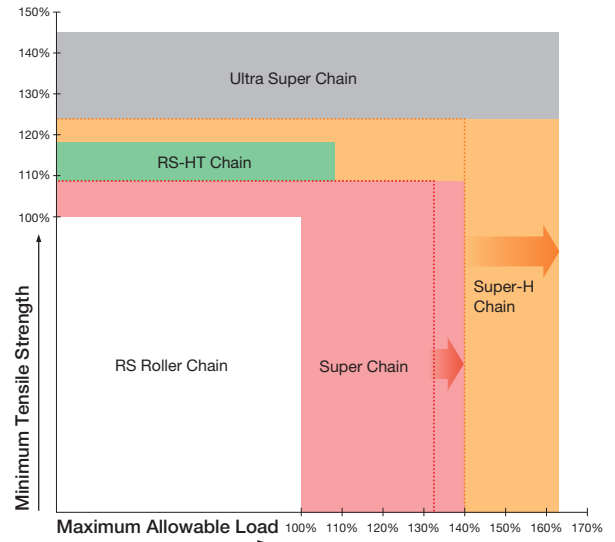
Twice
the wear life of
the previous series.
M type connecting links
now available



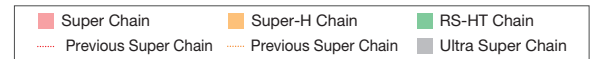
Super-H Chain

20% higher max.
allowable load than
the previous series

Comparison of min. tensile strengths and max. allowable loads



Note : With RS Roller Chain min. tensile strength and max. allowable load as benchmark (100).



Surface-Treated Chain

G8 Series NEPTUNE Chain



p.97-



Corrosion- and chemical-resistant
No strength reduction
RoHS compliant



Superb corrosion resistance

Specifications	Corrosion Resistance		Chemical Resistance
	Salt water spray tests*	1000ppm sodium hypochlorite	5% sodium hydroxide
NEPTUNE	700 hours 	2000 hours 	2000 hours
Previous series	700 hours 	Rusted after 2000 hours 	Flaking after 15 hours

*Salt water spray tests in accordance with JIS-Z-2371.

Tsubaki RS Sprockets

RS Sprockets are perfect for G8 Series RS Roller Chain

RS Sprockets

p.30-

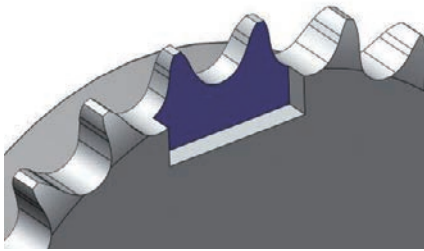


High-quality sprockets with overwhelmingly superior tooth surface hardness and hardened layer depth

Sprockets for general-use drive chain are strong enough to handle the chain, while the wear resistance of the teeth is as important as the chain itself.

Tsubaki offers standard pilot bore sprockets and sprockets with hardened teeth.

Comparison of tooth hardening



Cross-sectional observation of tooth hardening (hardened layer is gray)

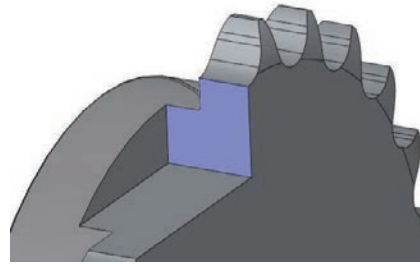


Tsubaki sprocket

Company A sprocket

Company B sprocket

Comparison of tooth hardness and hardened layer depth



Cross-sectional observation of tooth hardened layer depth (hardened layer is gray)



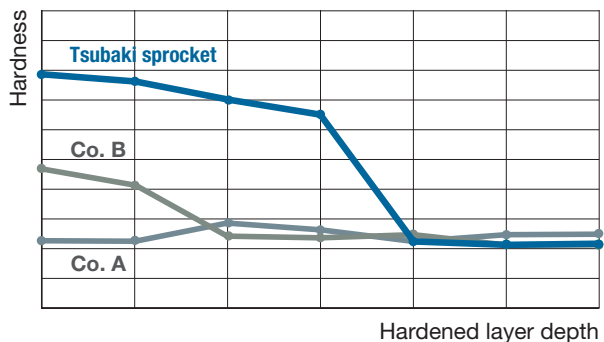
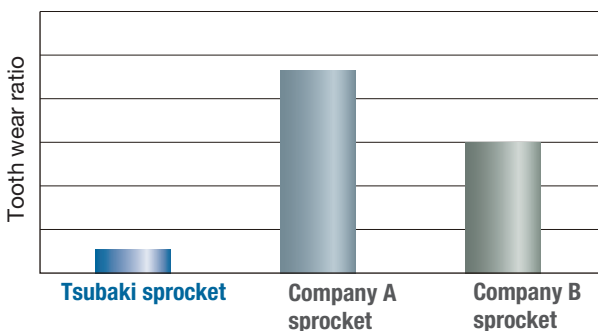
Tsubaki sprocket

Company A sprocket

Company B sprocket

Comparison of tooth wear under load tests

Wear on RS40 sprockets after 500 hrs running time. The Tsubaki sprocket has superior wear resistance.



RS Tough Tooth Sprockets



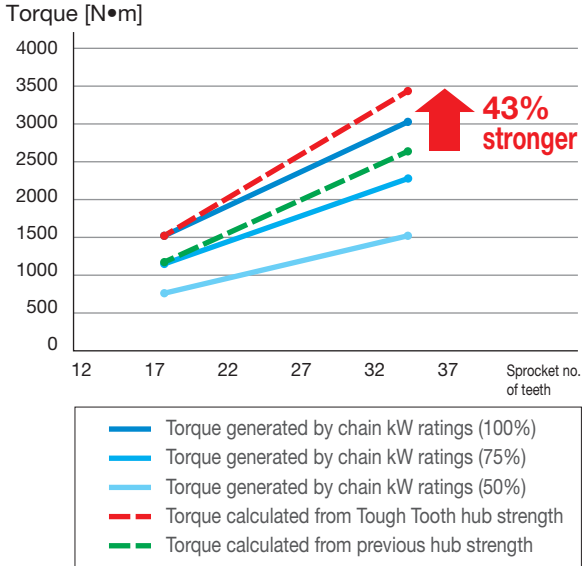
A stronger, more durable sprocket

- Durable** Teeth are hardened
- Strong** Welded hub is 43% stronger than standard pilot bore hubs
- Wear resistant** Optional special surface coating available

Tough Tooth sprockets have increased strength and durability to bring out the best in Tsubaki's Heavy Duty Drive Chains.

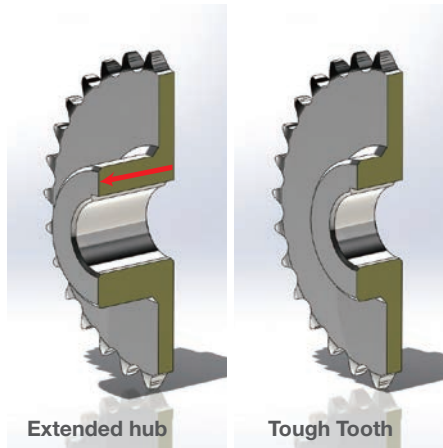
Stronger hubs

Comparison of hub kW ratings (ex. using RS80-SUP-H-1)

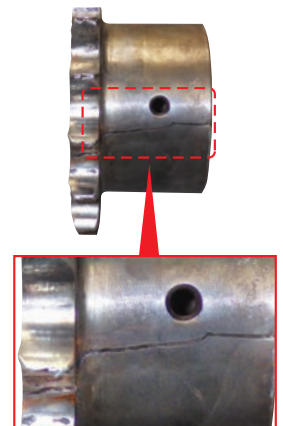


Extended hubs and other specialty specifications were needed to ensure hub strength when earlier designs were not strong enough. Tough Tooth sprockets feature 43% stronger hubs while still maintaining standard dimensions.

Space and cost savings



Example of fracture due to insufficient hub strength



Special surface coating (optional)

Perfect for when you want to reduce replacement frequency and for use in harsh environments thanks to its increased surface hardness. The teeth also wear less, which can reduce the rate of chain elongation.



Coated sprocket

Before Use

Read through this catalog before use to ensure proper selection and usage. Also, carefully inform persons involved in installation and maintenance of all pertinent matters.

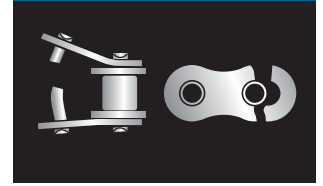
Numerical figures are indicated in both SI and gravimetric units.
(Gravimetric units are for reference.)

Dimensions in this catalog are nominal dimensions and may differ from the actual dimensions.

All photos and artwork in this catalog are for illustrative purposes only.

The external diagrams of the chain, connecting link, offset link, and other parts are provided as examples. Therefore, depending on chain size, the shape of the pin ends and offset pins and the assembly methods of the offset pins and connecting plates may differ from the diagrams.

NOTE



1. Inspect and replace worn roller chain periodically.
2. Roller chains can break and jump up on the sprocket from wear elongation.
3. Overload may cause roller chain to break. Avoid breakage by properly selecting products with consideration of inertia, impact, etc.
4. Roller chains can break due to corrosion and other environmental conditions.
5. The chain may have a shorter life or break if the sprockets are not centered properly or if there are changes in the usage environment or other conditions.
6. Wear dust is generated as a result of wear on chain parts. Lubricant oil may also splatter during operation.
7. When guidelines or legal considerations impose constraints on the selection of roller chain, first make a selection based on these constraints and then make another selection based on the methods given in this catalog. Then choose the roller chain that provides the greater margin of safety.
8. Always install hazard protection devices (safety covers, etc.) for the chain and sprocket.
9. When using a chain and sprocket in lifting applications, install a safety fence and strictly prevent entry to the area directly below the lifted object.

When You Do Not Know the Roller Chain Number

1

Verification of the roller chain specifications (strength type, material, etc.) is important. Check with the equipment manufacturer.

2

Check the roller chain size and specifications that are stamped on the roller chain plate.

3

Measure the pitch, roller diameter, inner width of inner link, and plate thickness of the roller chain.

4

Check the sprocket size and specifications that are stamped on the sprocket. Also measure the sprocket's tooth width.

General Comparison of Transmission Elements

The following table compares roller chains to other power transmission mechanisms such as toothed belts, V-belts, gears, and wires (lifting applications). Generally speaking, roller chains are often used as economical power transmission suited to low speed and high loads. However, it is also possible to use the chain in high-speed applications such as camshaft drives for automobiles, as long as you consider usage and lubrication methods.

Transmission mechanism		Roller chain	Toothed belt	V-belt	Gear
Synchronicity		◎	◎	×	◎
Transmission efficiency		◎	◎	△	◎
Anti-shock		△	○	◎	×
Noise & vibration		△	◎	◎	×
Ambient conditions		Avoid water and dust (Corrosion-resistant drive chains available)	Avoid heat, oil, water, and dust	Avoid heat, oil, water, and dust	Avoid water and dust
Space, weight	High speed, light load	×	◎	○	○
	Low speed, heavy load	◎ Compact, lightweight	△ Slightly heavy pulleys	×	○ Needs high strength due to low number of engaging teeth
Lubrication		×	◎	◎	×
		Required	Not required	Not required	Required
Layout freedom		◎	○	△	×
Excess load on shaft		◎	△	×	◎

◎Excellent ○Good △Fair ×Poor

Features and Points to Remember of Roller Chain Transmissions

■ Features

1. Allows large speed reductions/increases (usually up to 1:7).
2. Chains can accommodate long shaft center distances (normally less than 4 m), and are more versatile.
3. It is possible to use chain with multiple shafts or drives with both sides of the chain.
4. Easy installation and replacement (easy to cut and connect chains).
5. Drive use is possible even when shafts are vertical, as long as the chain receives support in short distances between the shafts.
6. The sprocket diameter for a chain system can be smaller than a belt pulley while transmitting the same torque.
7. Sprockets are subject to less wear than gears because sprockets distribute the load over their many teeth.
8. High shock absorbency compared to gears.
9. High transmission efficiency.

■ Points to Remember

1. Chains have speed variation, called chordal action, which is caused by the polygonal effect of the sprockets.
(The effect can be reduced by increasing the number of sprocket teeth.)
2. During transmission, a method of lubrication suitable to the chain's speed is necessary.
3. Chains wear and elongate. Measures for adjusting chain slack need to be considered.
4. Chains are weak when subjected to loads from the side. They need proper alignment.
5. Chains need to be held firm so they do not get twisted or tangled during unpacking and installation.

1. ASME Standard Minimum Tensile Strength (Tensile Breakage Strength)

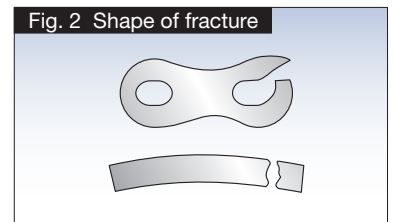
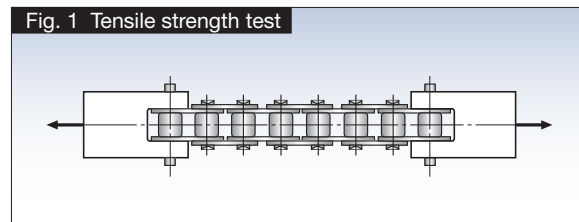
This is the minimum tensile strength determined by ASME standard. If a roller chain breaks from a tensile load below this value, then it is non-compliant. With multi-strand roller chain, the single strand value is multiplied by the number of strands. (ASME B 29.1)
These roller chains are also ISO-compliant. (ISO 606:2004)

2. Minimum Tensile Strength

This is a minimum value determined by statistical processing at Tsubaki. If any roller chain fractures by a tensile load below this value, then it is non-compliant. This value varies depending on the manufacturer.

Testing Method

As shown in Fig. 1, a roller chain with over five links is fixed at both ends by clevises and is stretched until breakage occurs (ASME B 29.1). The type of fracture is indicated by breakage of the roller chain or failure of its parts (Fig. 2.)

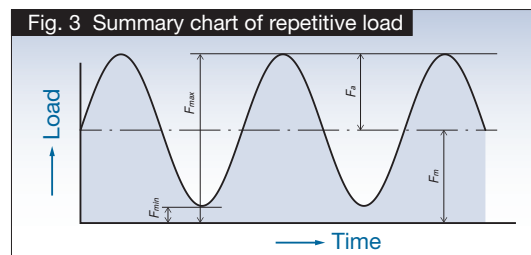


3. Maximum Allowable Load

The maximum allowable load of roller chain (excluding Stainless Steel Chain and Engineering Plastic Chain*) is the value derived from the lowest fatigue limit. When a load lower than this value is repetitively applied to the roller chain, fatigue failure will never occur.

Under the JIS B 1811:2018 standard, the maximum allowable load indicates a test load of F_d , which has been corrected by having minimum load set at zero. The minimum load is calculated based on a fracture probability of 0.135% when a load is repetitively applied 10 million times (Fig. 3) to a straight-running roller chain having five or more effective links.

* Stainless steel and engineered plastic chains: Maximum allowable load is determined from specifying the surface pressure between pins and bushes based on wear performance.



Note that strength of offset links may be lower than the chain itself.

$$F_d = \frac{F_u(F_{max} - F_{min})}{F_u - F_{min}}$$

F_u : ASME min. tensile strength

4. Kilowatt Ratings Table

RS Roller Chain, Super Roller Chain, Heavy Duty Chain, and Low Noise Drive Chain kilowatt ratings tables show kW values for 15,000 hours of operation using a two-shaft drive and 100 pitches of roller chain under conditions 1 to 5 below.

- 1) The chains are operated under ordinary conditions where the ambient temperature is -10°C to 60°C (14°F to 140°F) and there is no abrasive dust.
- 2) There are no negative effects from corrosive gasses or high humidity.
- 3) The two shafts are level and the chains are properly installed.
- 4) There is minimal fluctuation in load during transmission.
- 5) The recommended lubrication system and lubricant shown in the kW ratings tables is used for RS Roller Chain, Super Roller Chain, Heavy Duty Chain, and Low Noise Drive Chain.

5. Moment of Inertia

Moment of inertia is used to show the degree of inertia in rotational movement; in other words, “rotation difficulty” or “rotation ease.” This is equivalent to the mass (weight) of the object being used for straight-line transmission.

Moment of inertia is shown in the SI units table as:

$$I = Mk^2 \text{ (kg}\cdot\text{m}^2 \text{ M : mass of rotating body } \kappa : \text{turning radius)}$$

It is shown in the gravimetric units table as:

$$I = \frac{G \cdot K^2}{G} \text{ (kgf}\cdot\text{m}\cdot\text{s}^2 \text{ G : mass of rotating body } \underline{G} : \text{gravitational acceleration)}$$

Although, $GD^2 = 4G I$ (D : diameter of rotating body) is generally being used now in place of moment of inertia.

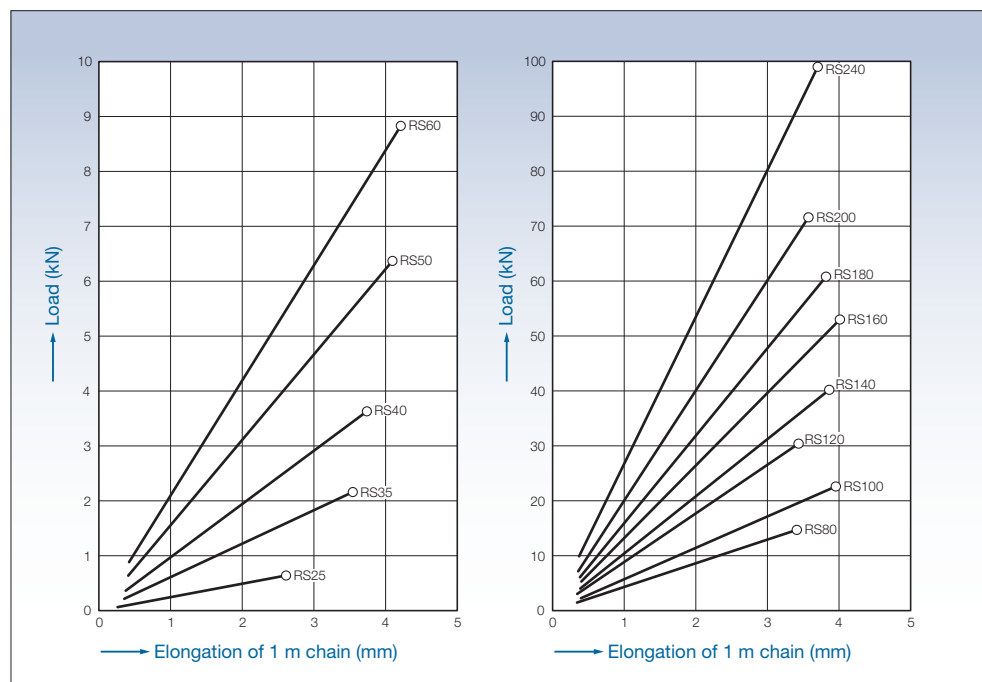
6. Total Length Tolerance of Roller Chain

Length test method and length tolerance are specified in JIS B 1801-2014. The length tolerance of any individual size when subjected to a measured load (e.g. 500 N [50.99 kgf] for RS 80-1) specified in JIS is 0 to +0.15% of the reference length. The reference length is calculated by multiplying the reference pitch (P) by the number of links. (Applicable to products bearing a JIS identification number.)

7. Elastic Elongation of Chain under Load

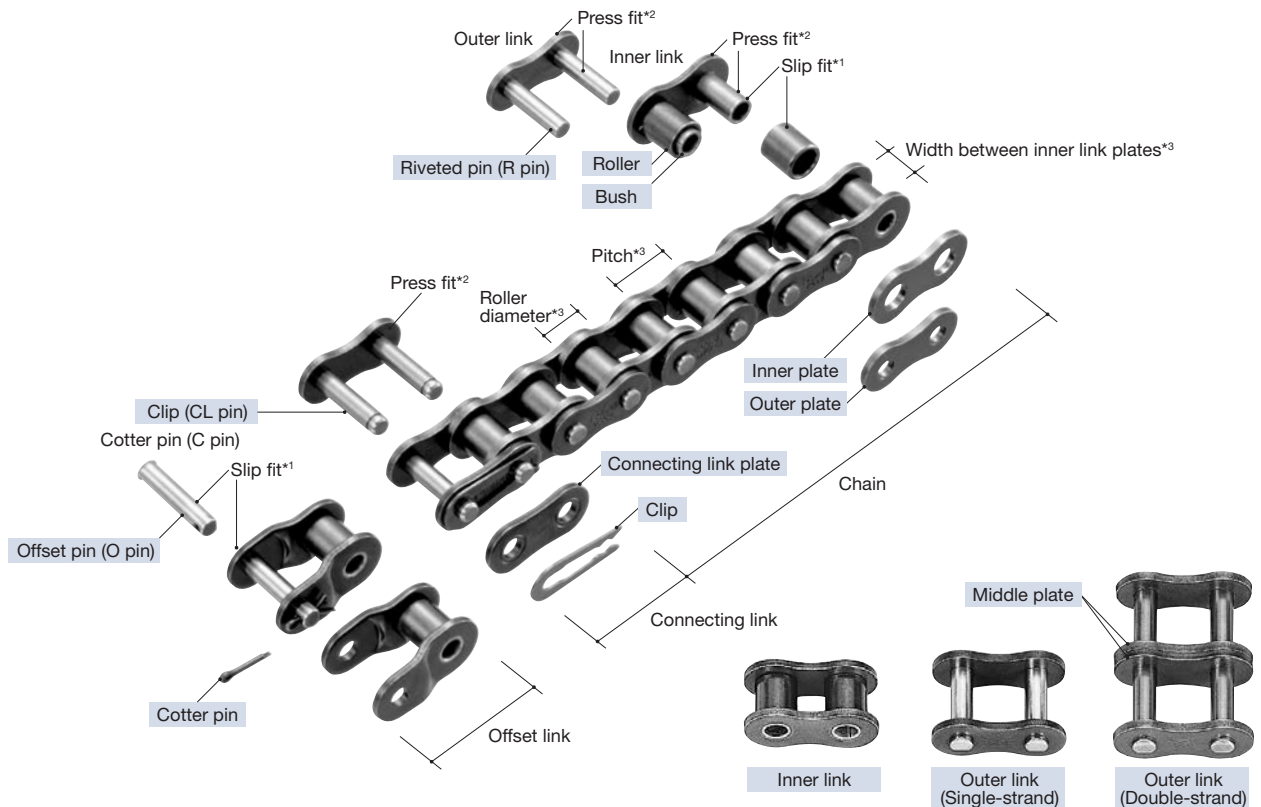
An elastic elongation curve of a chain under load looks as shown below. Values shown here are the standard references for single-strand RS Roller Chains.

Do not apply loads greater than the maximum allowable load to roller chains.



Roller Chain Construction

1. Basic Structure (Photo: RS60 Roller Chain)



■ Plate

The plate bears the tension placed on the chain. Usually this is a repetitive load, but sometimes it is accompanied by shock. Therefore, the plate must have not only great static tensile strength, but also must hold up to the dynamic forces of load and shock.

■ Pin

The pin is subject to shearing and bending forces transmitted by the plate. At the same time, it forms a load-bearing part, together with the bush, when the chain flexes during sprocket engagement. Therefore, the pin needs high tensile and shear strength, resistance to bending, and sufficient endurance against shock and wear.

■ Bush

The bush is subject to complex forces from all parts, especially from the repetition of shock loads when the chain engages the sprocket. Therefore, the bush needs extremely high shock resistance. In addition, the bush forms a load-bearing part together with the pin, and as such requires great wear resistance.

■ Roller

The roller is subject to impact load as it strikes the sprocket teeth during chain engagement with the sprocket. After engagement, the roller changes its point of contact and balance. It is held between the sprocket teeth and bush, and moves on the tooth face while receiving a compression load. Therefore, it must be resistant to wear and still have strength against shock, fatigue, and compression.

■ Inner Link

Two bushes are press fit into two inner plates, and rollers are inserted to allow rotation around the outside of the bush. This is the same for single-strand and multi-strand chain.

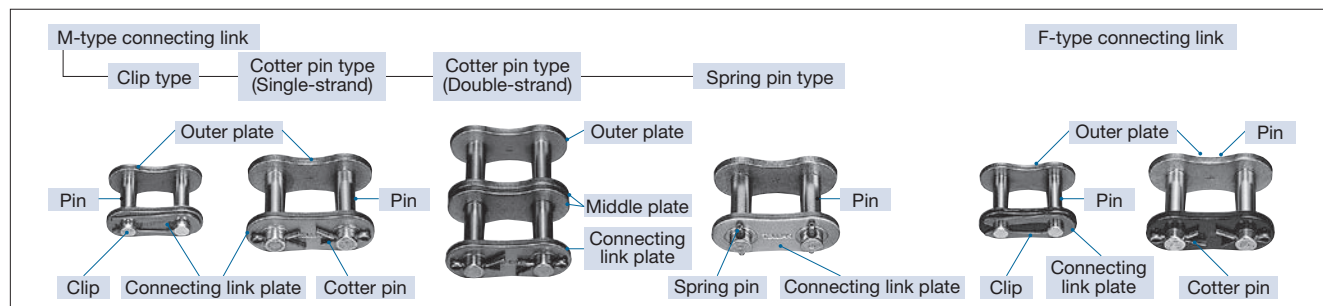
■ Outer Link and Middle Plate

The pin link consists of two pins that have been press fit into two outer plates. With multi-strand roller chain, a middle plate is added to the pin link. The middle plate is slip fit*1 for standard RS Roller Chain and press fit*2 for Super Roller Chain.

- ◆ Glossary *1 Slip fit: When the shafts (pins and bushes) and holes are fitted together, there is a continuous loose fit. This is a fit where the range of tolerance for the hole is larger than the range of tolerance for the shaft.
 *2 Press fit: When the shafts (pins and bushes) and holes are fitted together, there is a continuous interferential fit. This is a fit where the range of tolerance for the hole is smaller than the range of tolerance for the shaft.
 *3 The pitch, roller diameter, and inner width of the inner link are considered the basic three dimensions of a roller chain. When these dimensions are identical, a roller chain and sprocket are dimensionally compatible.

2. Connecting Links

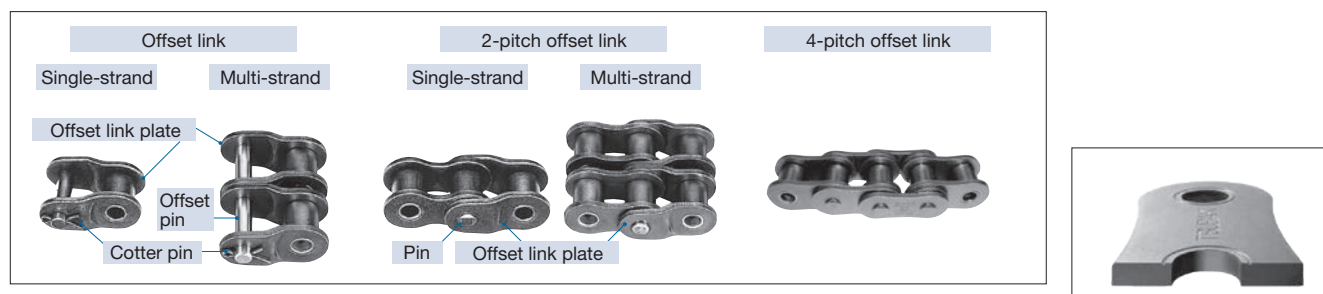
Roller Chains are usually made up of a number of connected links in an endless formation, or used by fixing the chain ends. Either way, connecting links are needed.



	Connecting link	Pin-connecting link plate fitting	Connecting link plate fastening	Note
RS Roller Chain	M-type connecting link	Slip fit	Clip Cotter pin Spring pin	<ul style="list-style-type: none"> ◆ M-type connecting link plates are ring coined*. ◆ For multi-strand chain using M-type connecting links, make sure the plate with ring coining* is on the outermost side when assembling RS35 chain or larger. ◆ F-type connecting links are recommended for the shaded areas of the kW ratings tables and for lifting applications. ◆ F-type connecting link plates are black.
	F-type connecting link	Press fit	Clip Cotter pin Spring pin, T-pin	
Lambda Chain	M-type connecting link	Slip fit	Clip Cotter pin	<ul style="list-style-type: none"> ◆ Can be used in all areas of the kW ratings table for Lambda Chain. ◆ Connecting link plates are ring coined*.
Super Roller Chain	M-type connecting link	Slip fit	Spring pin	◆ Connecting link plates and middle plates are ring coined*.
	F-type connecting link	Press fit	Spring pin	◆ Use under extreme conditions (e.g., high shock, very high load, or possible side force).
Super-H Chain Ultra Super Chain	F-type connecting link	Press fit	Spring pin	◆ Use exclusive connecting links.
RS-HT Chain	M-type connecting link	Slip fit	Cotter pin Spring pin	◆ M-type connecting link plates are ring coined*.
	F-type connecting link	Press fit	Cotter pin Spring pin	<ul style="list-style-type: none"> ◆ Use under extreme conditions (e.g., high shock, very high load, or possible side force). ◆ F-type connecting link plates are black.
Other Roller Chains in Catalog	M-type connecting link	Slip fit	Cotter pin, Clip Spring pin T-pin, Z-pin	<ul style="list-style-type: none"> ◆ Refer to the product pages. ◆ NP, NEP, and SNS chains are ring coined*.

3. Offset Links

Offset links are to be used for roller chains with an odd number of links. This will not decrease minimum tensile strength. However, note that certain models will have decreased kW ratings and maximum allowable loads. Therefore, whenever possible, use a design that requires an even number of links.



◆ Glossary *Ring coining: This Tsubaki original processing adds an area of plastic deformation around pin holes to generate residual stress around the holes. Connecting link plates achieve the same strength as the chain itself even if they are slip fit.

Roller Chain and Specialty Chain Lineup

Before Use

Standard Roller Chains

Lube-Free Roller Chains

Heavy Duty Roller Chains

Corrosion Resistant Roller Chains

Specialty Roller Chains

Sprockets

Pin Gear Drives

Accessories

Handling

Product line	Product name	Series	Features/applications	Operating temperature* ¹ range (°C)	Lubrication* ¹
Standard Roller Chains	RS Roller Chain	–	JIS-, ISO-compliant; general purpose	–10 to 60	Anti-rust pre-lube
	BS/DIN Standard RS Roller Chain	–	ISO B Series-compliant		
Lube-Free Roller Chains	Lambda Chain	LMD	Lube-free, long life (special oil-impregnated bush)	–10 to 150	Volatile corrosion inhibitor
	RS Double Strand Compatible Lambda Chain	LMDS*	Unlike 2-strand Lambda Chain, sprockets for 2-strand standard roller chain can be used		
	Surface Treated Lambda Chain	LMDNP	Lube-free, long life (special oil-impregnated bush); surface treated		
	X-Lambda Chain	LMDX	Super long life via special oil-impregnated bush and felt seal	–10 to 60	
	Lambda Chain KF Series	LMDKF	High lubrication and wear resistance under high temperatures	–10 to 150* ²	
	Heavy Duty Lambda Chain	LMDH*	Lube-free, long life (special oil-impregnated bush); heavy-duty; double-strand only	–10 to 150	
	Curved Lambda Chain	LMCCU	Lube-free, long life (special oil-impregnated bush); curved conveyance		
Heavy Duty Drive Chains	Super Chain	SUP	High fatigue strength (40% higher than RS Chain)	–10 to 60	Anti-rust pre-lube
	RS-HT Chain	HT	High tensile strength (20% higher than RS Chain)		
	Super-H Chain	SUPH	High fatigue strength and high tensile strength (65% and 25% higher than RS chain, respectively)		
	Ultra Super Chain	USN	Highest tensile strength among all drive chains		
Corrosion Resistant Roller Chains	Stainless Steel Roller Chain	SS	High corrosion resistance, high heat resistance	–20 to 400	Not lubed* ³
		NS	Higher corrosion resistance and higher heat resistance than SS		Chain lubricant
		AS	1.5x maximum allowable load of SS, slightly less corrosion resistance	–20 to 100* ⁴	Not lubed* ³
		LSC	Greater wear resistance than SS		
	Surface Treated Roller Chain	NP	Low corrosion resistance, special nickel plating	–10 to 60	Anti-rust pre-lube
		NEP	High corrosion resistance		
		APP	Anti pitting corrosion on pins		
	Titanium Roller Chain	TI	Made of nonmagnetic titanium, high corrosion resistance	–20 to 400	Not lubed* ³
	Cold Resistant Roller Chain	KT	Cold resistance	–40 to 60	Chain lubricant
	Low Noise Roller Chain	SNS	Spring rollers, low noise	–10 to 60	Anti-rust pre-lube
Poly Steel Chain	PC	Corrosion resistance, wear resistance, low noise, lightweight	–20 to 80	Not lubed* ³	
	PCSY	Better chemical resistance than PC			
Curved Stainless Steel Roller Chain	CUSS	Stainless steel, curved conveyance	–20 to 400		
Specialty Roller Chains	Leaf Chain	–	Plate and pin construction, for lifting applications, AL type, BL type	–10 to 60	Anti-rust pre-lube
	Curved Roller Chain	CU	Side-flexing chain, curved conveyance		Chain lubricant

* NP, KF, and KFNP specifications can be selected for LMDS, and NP specifications for LMDH.

Note: *1. When using chain outside the operating temperature range, consider using the appropriate lubricant oil and select the chain by taking into account strength degradation caused by temperature. (See page 212.)

*2. KF Series Lambda Chain is lubricated with oil that provides enhanced lubrication in temperatures from room temperature to 230°C. When using in temperatures of 150°C to 230°C, select chain by taking into account strength degradation caused by temperature. (See page 212.)

*3. Oil is applied during assembly. RS11-SS, RS25-SS, and RS25-NS are lubricated.

*4. If plastic rollers are chosen for LSC chain, the operating temperature range is –20°C to 80°C.

	JIS identification number (Pitch: mm)																See page
	11 (3.7465)	15 (4.7625)	25 (6.35)	35 (9.525)	40 (12.70)	50 (15.875)	60 (19.05)	80 (25.40)	100 (31.75)	120 (38.10)	140 (44.45)	160 (50.80)	180 (57.15)	200 (63.50)	240 (76.20)	Other large sizes	
		●	●	●	●	●	●	●	●	●	●	●	●	●	●	RF320-T ● RF400-T ●	29
				RF06B ●	RS08B ●	RS10B ●	RS12B ●	RS16B ●	RS20B ●	RS24B ●	RS28B ●	RS32B ●		RS40B ●	RS48B ●	RS56B ●	
				●	●	●	●	●	●	●	●	●					76
				●	●	●	●	●	●	●	●						
				●	●	●	●	●	●	●							
				●	●	●	●	●	●								
				●	●	●	●	●	●								
				●	●	●	●	●	●								
				RF06B ●	RS08B ●	RS10B ●	RS12B ●	RS16B ●	RS20B ●	RS24B ●							
							●	●	●	●	●	●	●	●	●		86
							●	●	●	●	●	●	●	●	●		
							●	●	●	●	●	●	●	●	●		
							●	●	●	●	●	●	●	●	●		
●	●	●	●	●	●	●	●	●	●	●	●	●	●	●	●		97
		●	●	●	●	●	●										
				●	●	●	●										
				●	●	●	●										
		●	●	●	●	●	●	●	●	●	●	●	●	●	●		
			●	●	●	●	●	●	●	●	●	●	●	●	●		
			●	●													
			●	●	●	●	●	●	●	●	●	●					
			●	●	●	●	●										
		●	●	●	●	●											
				●	●	●	●										
				4 ●	5 ●	6 ●	8 ●	10 ●	12 ●	14 ●	16 ●						111
				●	●	●	●										

Sizes marked with ● are available as standard. We can also provide sizes in the blank cells as well. Contact a Tsubaki representative for details.

Standard Roller Chains

Lube-Free Roller Chains

Heavy Duty Roller Chains

Corrosion Resistant Roller Chains

Specialty Roller Chains

Sprockets

Pin Gear Drives

Accessories

Handling

Connecting Link Lineup

Before Use

Standard Roller Chains

Lube-Free Roller Chains

Heavy Duty Roller Chains

Corrosion Resistant Roller Chains

Specialty Roller Chains

Sprockets

Pin Gear Drives

Accessories

Handling

Product line	Product name	Series	Series			
			Part name	Old model number	Features	
					Pin-connecting link plate fitting	Plate fastening
Standard Roller Chains	RS Roller Chain	-	MCJL	JL	Slip fit	Clip
			MWJL	JL	Slip fit	Cotter pin
			MSJL	JL	Slip fit	Spring pin
			FTJL	JL	Press fit	T-pin
	BS/DIN Standard RS Roller Chain	-	MCJL	JL	Slip fit	Clip
			MWJL	JL	Slip fit	Cotter pin
Lube-Free Roller Chains	Lambda Chain	LMD	MCJL	JL	Slip fit	Clip
			MWJL	JL	Slip fit	Cotter pin
	RS Double Strand Compatible Lambda Chain	LMDS	MCJL	JL	Slip fit	Clip
			MWJL	JL	Slip fit	Cotter pin
	Surface Treated Lambda Chain	LMDNP	MCJL	JL	Slip fit	Clip
			MWJL	JL	Slip fit	Cotter pin
	X-Lambda Chain	LMDX	MCJL	JL	Slip fit	Clip
			MWJL	JL	Slip fit	Cotter pin
	Lambda Chain KF Series	LMDKF	MCJL	JL	Slip fit	Clip
			MWJL	JL	Slip fit	Cotter pin
	Heavy Duty Lambda Chain	LMDH	MCJL	JL	Slip fit	Clip
			MWJL	JL	Slip fit	Cotter pin
	Curved Lambda Chain	LMCCU	MWJL	JL	Slip fit	Cotter pin
	BS Lambda Chain	LM	MCJL	JL	Slip fit	Clip
MWJL			JL	Slip fit	Cotter pin	
Heavy Duty Drive Chains	Super Chain	SUP	MSJL	MJL	Slip fit	Spring pin
			FSJL	FJL	Press fit	Spring pin
	RS-HT Chain	HT	MWJL	MJL	Slip fit	Cotter pin
			FWJL	FJL	Press fit	Cotter pin
	Super H Chain	SUPH	FSJL	FJL	Press fit	Spring pin
Ultra Super Chain	USN	FSJL	JL	Press fit	Spring pin	
Corrosion Resistant Roller Chains	Stainless Steel Roller Chain	SS	MCJL	JL	Slip fit	Clip
			MWJL	JL	Slip fit	Cotter pin
		NS	MCJL	JL	Slip fit	Clip
			MWJL	JL	Slip fit	Cotter pin
		AS	MCJL	JL	Slip fit	Clip
			MWJL	JL	Slip fit	Cotter pin
		LSC	MCJL	JL	Slip fit	Clip
			MWJL	JL	Slip fit	Cotter pin
	Surface Treated Roller Chain	NP	MCJL	JL	Slip fit	Clip
			MWJL	JL	Slip fit	Cotter pin
		NEP	MCJL	JL	Slip fit	Clip
			MWJL	JL	Slip fit	Cotter pin
	APP	MWJL	JL	Slip fit	Cotter pin	
	Titanium Roller Chain	TI	MZJL	JL	Slip fit	Z-pin
	Cold Resistant Roller Chain	KT	MWJL	JL	Slip fit	Cotter pin
	Low Noise Roller Chain*4	SNS	MCJL	JL	Slip fit	Clip
MWJL			JL	Slip fit	Cotter pin	
Poly Steel Chain	PC	MCJL	JL	Slip fit	Clip	
	PCSY	MZJL	JL	Slip fit	Z-pin	
Curved Stainless Steel Roller Chain	CUSS	MWJL	JL	Slip fit	Cotter pin	
Specialty Roller Chains	Leaf Chain	-	MLJL	JL	Slip fit	Long cotter pin
	Curved Roller Chain	CU	MWJL	JL	Slip fit	Cotter pin

Note: 1. The above table shows an overview of connecting links. Cotter pins can be selected for certain series of chain RS60 and smaller.

F type connecting links can be selected for RS drive chain.

2. For single-strand chain. May differ for multi-strand chain.

*3. E type retaining ring.

*4. Uses RS roller chain connecting links.

Ordering RS Roller Chain

To order roller chain, you need to specify chain size, series, length (number of links), and both ends (termination). The following pages show general ordering examples and points to keep in mind. For custom-made chains, please contact a Tsubaki representative.

1. Basic Structure of Model Numbers

When ordering, be sure to order by model number to avoid any errors in the chain main unit, series, and number of links.

1. Chains ordered by specifying the number of links, etc.

◆ Model numbering example: Chain



2. Individual parts, such as connecting links and offset links, ordered by quantity

◆ Model numbering example: Connecting link



◆ Model numbering example: Offset link



① Size	Indicates chain size.
② Series	Select the series under each product line such as Lube-free or Corrosion Resistant. There is no need to specify the series for RS Roller Chain and RS Roller Chain (BS/DIN standard) in the Standard Roller Chain line.
③ Number of strands	Indicates the number of strands.
④ Pin type	There are two types of chain pins: RP and CP. RP: Pin is riveted. CP: One end of the pin is riveted, and the other end is fixed using a cotter pin or spring pin.
⑤ Number of links	Specify the number of links. Chains are configured in standard-length units plus (if necessary) one fractional length having the number of links needed to make up the total chain length.
⑥ End link	Indicates the configuration of the chain ends.
⑦ Options	Indicates options available for meeting special user requirements.
⑧ Part name	Select individual items such as connecting links and offset links.

2. End Links and Part Names

◆ Connecting links

Upper row: End link (Use when ordering chains)
Lower row: End link (Use when ordering individual parts)

	MWJ MWJL	M-type connecting link* ¹ with cotter pin	<p>Assembled to the chain before shipment*³</p> <p>↓</p> <p>Add "K" to the end. Example: MWJ<u>K</u> FWJ<u>K</u></p>
	MCJ MCJL	M-type connecting link* ¹ with clip	
	MSJ MSJL	M-type connecting link* ¹ with spring pin	
	FWJ FWJL	F-type connecting link* ² with cotter pin	
	FCJ FCJL	F-type connecting link* ² with clip	
	FSJ FSJL	F-type connecting link* ² with spring pin	

Note: *1. M-type connecting link: Connecting link with slip fit
*2. F-type connecting link: Connecting link with press fit
*3. Add "E" when you need an endless formation.

◆ Offset links

Upper row: End link (Use when ordering chains)
Lower row: End link (Use when ordering individual parts)




	OL	Offset link	<p>Assembled to the chain before shipment</p> <p>↓</p> <p>Add "K" to the end. Example: 2O<u>K</u></p>
	2POL	2-pitch offset link	
	4POL	4-pitch offset link	



Ordering RS Roller Chain

3. End Link Examples

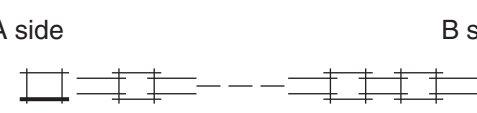
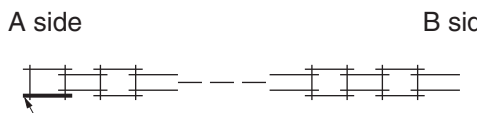
The following are examples of typical end links you can select. Some end link combinations may not be available depending on items such as chain size, number of strands, and specifications.

◆ Symbols for simple configurations

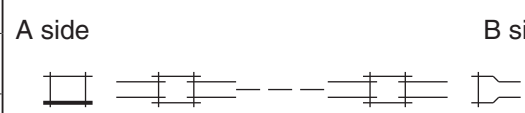
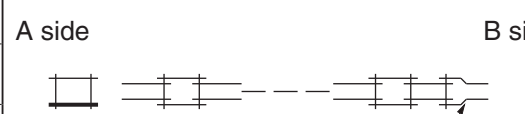
Symbol	Name	Description
	Connecting link	M type has plate slip-fit with pin; F type has plate press-fit with pin. Plates are fastened via clip, cotter pin, or spring pin.
	Outer link	Two pins are press-fit into two plates.
	Inner link	Two bushes are press-fit into two plates. Rollers are on the outside of the bushes.

Symbol	Name	Description
	Offset link	To be used when there is an odd number of links in the chain. Maximum allowable load will decrease.
	2-pitch offset link	To be used when there is an odd number of links in the chain. Maximum allowable load may decrease on certain roller chain models.

◆ When using an even number of links

End link				A side			B side	Chain configuration	
M	C	J	R	M-type	Clip	Connecting link	Inner link	 <p>A side B side</p>	
F	C	J	R	F-type	Clip	Connecting link	Inner link		
M	W	J	R	M-type	Cotter pin	Connecting link	Inner link		
F	W	J	R	F-type	Cotter pin	Connecting link	Inner link		
M	S	J	R	M-type	Spring pin	Connecting link	Inner link		
F	S	J	R	F-type	Spring pin	Connecting link	Inner link		
M	C	J	K	R	M-type	Clip	Connecting link	Assembled Inner link	 <p>A side B side</p> <p>Assembled</p>
M	W	J	K	R	M-type	Cotter pin	Connecting link	Assembled Inner link	
M	S	J	K	R	M-type	Spring pin	Connecting link	Assembled Inner link	

◆ When ordering an odd number of links (offset link)

End link				A side			B side		Chain configuration	
M	C	J	O	M-type	Clip	Connecting link	Offset link		 <p>A side B side</p>	
M	W	J	O	M-type	Cotter pin	Connecting link	Offset link			
M	S	J	O	M-type	Spring pin	Connecting link	Offset link			
M	C	J	O	K	M-type	Clip	Connecting link	Offset link	Assembled	 <p>A side B side</p> <p>Assembled</p>
M	W	J	O	K	M-type	Cotter pin	Connecting link	Offset link	Assembled	
M	S	J	O	K	M-type	Spring pin	Connecting link	Offset link	Assembled	

◆ When ordering an odd number of links (inner link on each end)

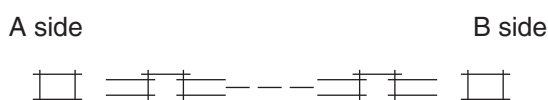
End link		A side		B side		Chain configuration	
R	R	Inner link		Inner link		A side	B side

End link*					A side	C side			B side	Chain configuration		
R	M	C	J	R	Inner link	M-type	Clip	Connecting link	Inner link			
R	M	W	J	R	Inner link	M-type	Cotter pin	Connecting link	Inner link			
R	M	S	J	R	Inner link	M-type	Spring pin	Connecting link	Inner link			

*To be used when the number of links exceeds the standard length and when there is no long-length formation option (T) available.

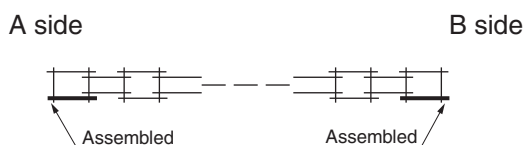
◆ When ordering an odd number of links (connecting link on each end)

End link						A side			B side		
M	C	J	M	C	J	M-type	Clip	Connecting link	M-type	Clip	Connecting link
F	C	J	F	C	J	F-type	Clip	Connecting link	F-type	Clip	Connecting link
M	W	J	M	W	J	M-type	Cotter pin	Connecting link	M-type	Cotter pin	Connecting link
F	W	J	F	W	J	F-type	Cotter pin	Connecting link	F-type	Cotter pin	Connecting link
M	S	J	M	S	J	M-type	Spring pin	Connecting link	M-type	Spring pin	Connecting link
F	S	J	F	S	J	F-type	Spring pin	Connecting link	F-type	Spring pin	Connecting link
Chain configuration											



◆ When ordering an odd number of links (connecting link on each end; assembled)

End link						A side				B side					
M	C	J	K	M	C	J	K	M-type	Clip	Connecting link	Assembled	M-type	Clip	Connecting link	Assembled
M	W	J	K	M	W	J	K	M-type	Cotter pin	Connecting link	Assembled	M-type	Cotter pin	Connecting link	Assembled
M	S	J	K	M	S	J	K	M-type	Spring pin	Connecting link	Assembled	M-type	Spring pin	Connecting link	Assembled
Chain configuration															



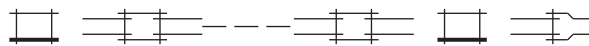
Ordering RS Roller Chain

◆ When ordering an odd number of links (2-pitch offset link)

End link									A side			B side			
M	C	J	M	C	J	2	○	○	M-type	Clip	Connecting link	M-type	Clip	Connecting link	2-pitch offset link
M	W	J	M	W	J	2	○	○	M-type	Cotter pin	Connecting link	M-type	Cotter pin	Connecting link	2-pitch offset link
M	S	J	M	S	J	2	○	○	M-type	Spring pin	Connecting link	M-type	Spring pin	Connecting link	2-pitch offset link
Chain configuration															

A side

B side

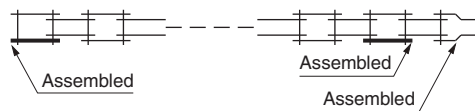


◆ When ordering an odd number of links (connecting link and 2-pitch offset link assembled)

End link											A side				B side					
M	C	J	K	M	C	J	K	2	○	K	M-type	Clip	Connecting link	Assembled	M-type	Clip	Connecting link	Assembled	2-pitch offset link	Assembled
M	W	J	K	M	W	J	K	2	○	K	M-type	Cotter pin	Connecting link	Assembled	M-type	Cotter pin	Connecting link	Assembled	2-pitch offset link	Assembled
M	S	J	K	M	S	J	K	2	○	K	M-type	Spring pin	Connecting link	Assembled	M-type	Spring pin	Connecting link	Assembled	2-pitch offset link	Assembled
Chain configuration																				

A side

B side

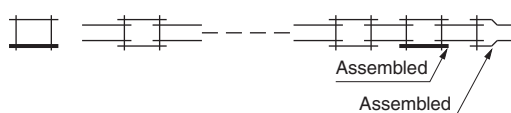


◆ When ordering an odd number of links (connecting link not assembled on one end; 2-pitch offset link and its connecting link assembled on other end)


End link											A side			B side						
M	C	J	M	C	J	K	2	○	K	M-type	Clip	Connecting link	M-type	Clip	Connecting link	Assembled	2-pitch offset link	Assembled		
M	W	J	M	W	J	K	2	○	K	M-type	Cotter pin	Connecting link	M-type	Cotter pin	Connecting link	Assembled	2-pitch offset link	Assembled		
M	S	J	M	S	J	K	2	○	K	M-type	Spring pin	Connecting link	M-type	Spring pin	Connecting link	Assembled	2-pitch offset link	Assembled		
Chain configuration																				

A side

B side



4. Options

Option symbol	Option name	Description								
T	Long-length formation	A chain with an overall length that exceeds the standard length (3,048 mm, 1 unit) is called a long-length chain. Chains that exceed the lengths shown in the table below have a super long-length formation. Contact a Tsubaki representative for more information.								
		<table border="1"> <thead> <tr> <th></th> <th>RS25</th> <th>RS35–RS180</th> <th>RS200</th> <th>RS240</th> </tr> </thead> <tbody> <tr> <td>Single strand</td> <td>3 units</td> <td>2.5 units</td> <td>100 links (approx. 6.3 m)</td> <td>70 links (approx. 5.3 m)</td> </tr> </tbody> </table>		RS25	RS35–RS180	RS200	RS240	Single strand	3 units	2.5 units
	RS25	RS35–RS180	RS200	RS240						
Single strand	3 units	2.5 units	100 links (approx. 6.3 m)	70 links (approx. 5.3 m)						
E	Endless formation	<p>The chain is delivered in a loop. Additional fees apply. Note: The end link symbol "K" denoting "assembled" does not mean "endless formation". If you need an endless formation, select this option.</p> <p>Model numbering example when ordering an endless formation</p> <p>1. When using connecting links RS60-1-RP+50L-MCJKR-E Assembled with MCJL (colored portion) Note: The actual product is not colored.</p> <p>2. When using outer links (RP) RS60-1-RP-50L-PRPKR-E Assembled with PRPL (colored portion) Note: The actual product is not colored.</p> 								
P	Pre-stretched	<p>Roller chains will stretch a little from the start of use to after several dozen hours of use due to the chain parts adapting to operation. This option mitigates this elongation. Additional fees apply.</p> <p>Note: The time it takes for the chain parts to adapt depends on usage conditions. This option is not designed to eliminate all initial elongations.</p>								
R	Reel formation	<p>Single-strand RS25 to RS80 chain and Leaf Chain are available on long-length reels. Additional fees apply.</p> <p>Model numbering example when ordering a reel formation RS80-1-RP+350L-MWJR-R</p>								
2 3 4	Matched and tagged chain	<p>Deviations in chain length exist due to the manufacturing tolerances of the parts (0 to +0.15% under JIS standards). When chains are to be used in parallel and minimizing the relative difference in the lengths is necessary, request a matched and tagged chain. Additional fees apply.</p> <p>2: Two parallel strands. Place orders in a quantity multiplied by two. 3: Three parallel strands. Place orders in a quantity multiplied by three. 4: Four parallel strands. Place orders in a quantity multiplied by four.</p>								

Ordering RS Roller Chain

5. Units

The unit for ordering roller chains are as follows.

“U” is for stock items.

“H” is for non-stock items.

“L” is discontinued.

“K” means “piece”.

Current	New	Notes
U	U	Stock items
	H	Non-stock items
L	H	
K	K	

6. Ordering Examples

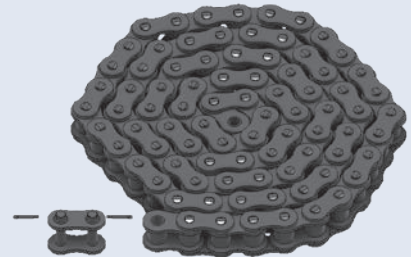
1. Chain (ordering by unit)

Roller chains are stocked on a unit basis. One connecting link is included in one unit. Connecting links must be ordered separately when dividing a chain into two or more pieces or connecting more chains.

→ Ordering example

Ordering five units of RS100-1-RP chain

Model number	Quantity	Unit
RS100-1-RP-U	5	U



2. Chain (ordering by specified length)

You can order roller chains with a specified length. Convert the length of the chain you want to use into the number of links when placing an order.

◆ Example of converting chain length into number of links

When ordering RS60-1-RP chain with a length of 150 mm (including connecting links)

150 mm ÷ 19.05 mm (chain pitch) = 7.9 links -> 8 links (including connecting links)

Note: The chain length is 152.4 mm.

→ Ordering example

Ordering five pieces of 8-link RS60-1-RP chain (including M-type connecting link with clip)

Model number	Quantity	Unit
RS60-1-RP+8L- MCJ R	5	H

MC: M-type connecting link with clip

R: Inner link



The product will be delivered without a connecting link pre-assembled.
If you need a pre-assembled connecting link as shown above, use “MCJKR” for the end link symbol.

3. Chain (ordering chain with connecting links or offset links on both ends)

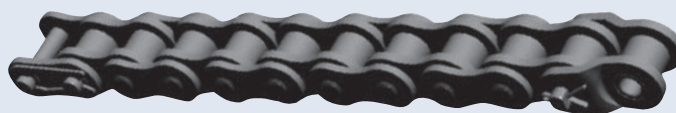
→ Ordering example

Ordering 10 pieces of 11-link RS50-LMD-1-RP chain (connecting link and 1-pitch offset link are arranged as shown in the figure)

Model number	Quantity	Unit
RS50-LMD-1-RP+11L-MCJ O	10	H

MC: M-type connecting link with clip

O: Offset link



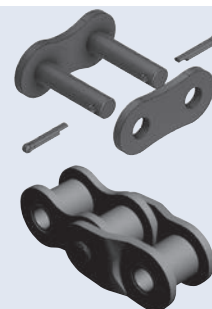
The product will be delivered without a connecting link and an offset link pre-assembled. If you need a pre-assembled connecting link and offset link as shown above, use "MCJKOK" for the end link symbol.

4. Individual parts, such as connecting links and offset links

→ Ordering example

Ordering 10 F-type connecting links with cotter pins and one 2-pitch offset link for RS160-1 chain

Model number	Quantity	Unit
RS160-1-FWJL	10	K
RS160-1-2POL	1	K



5. Adding options to an order

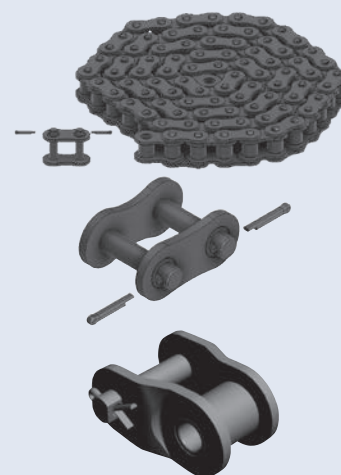
→ Ordering example

Adding the pre-stretched option to 10 pieces of 80-link RS100-NEP-1-RP chain (including one M-type connecting link with cotter pins).

Plus, ordering two M-type connecting links with cotter pins and two offset links as spare parts.

Model number	Quantity	Unit
RS100-NEP-1-RP+80L-MWJR-P	10	H
RS100-NEP-1-MWJL	2	K
RS100-NEP-1-OL	2	K

P: Pre-stretched



Note: Options such as pre-stretched cannot be specified for individual parts.

6. Other orders

- ◆ Chain that has a connecting link or offset link configured in a specified location of the chain, instead of at the end
- ◆ Chain longer than the standard-length unit (2.5 units or more) but configured in a single chain without using connecting links (super long-length formation)

Tsubaki can manufacture special formations and chains in customer-specific specifications.

Please contact a Tsubaki representative.

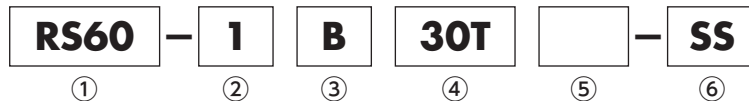
Ordering RS Sprockets

The following pages show general ordering examples and points to keep in mind when ordering RS sprockets.

1. Basic Structure of Model Numbers

When ordering, be sure to order by model number to avoid any errors in sprocket specifications. Refer to the product pages for sizes, processing/machining, and other details.

◆ Model numbering example: Standard pilot bore sprocket



1 (K)
Quantity Unit (piece)

Single Dual sprocket



3 (K)
Quantity Unit (piece)

◆ Model numbering example: S-type Lock Sprocket



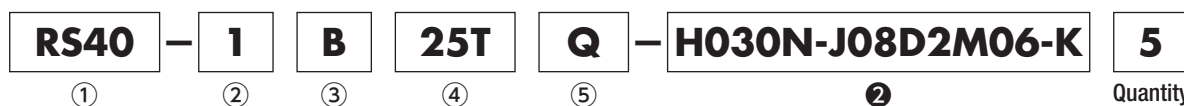
2 (K)
Quantity Unit (piece)

◆ Model numbering example: N-type Lock Sprocket



3 (K)
Quantity Unit (piece)

◆ Model numbering example: Fit Bore



5 (K)
Quantity Unit (piece)

① Size	Indicates chain size.	
② Number of strands	Indicates the number of chain strands. This is not needed for Single Dual sprockets.	
③ Hub type	Indicates the type of hub.	See page 28.
④ Number of teeth	Indicates the number of sprocket teeth.	
⑤ Teeth hardening	Indicates whether teeth are hardened or not. [Blank]: Non-hardened teeth Q: Hardened teeth	
⑥ Material	Indicates sprocket material. [Blank]: Steel SS: Stainless steel P: Engineering plastic	See page 28.
① Sleeve model	Indicates lock sleeve specifications	See page 137.
② Additional machining	Indicates the type of additional machining on the sprocket.	See page 131.

The RS sprocket model is determined by the following six elements.

When selecting your sprocket, carefully examine the model and usage conditions of the chain that you will be using and select the optimal sprocket.

2. Chain Used

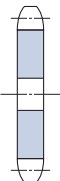
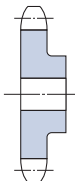
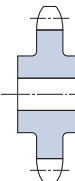
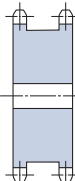
RS sprockets are manufactured with a tooth profile and dimensional precision to bring out the maximum performance of the chain you will use.

3. Number of Teeth

RS sprockets are available with small and large numbers of teeth to match your usage conditions.

4. Construction

RS sprockets are manufactured in four types in conformance with JIS standards.

Model code	A type (flat plate)	B type (single side hub)	C type (dual side hub)	SD type (single dual)
Construction				
		Multi-strand Heavy Duty Chain (Super-H, RS-HT, etc.)		
		HB type	HC type	For using two single-strand chains at the same time

5. Material

RS sprockets are available in the following material as standard.




Material	Description
Carbon steel	Carbon steel for machine structural use
Rolled steel	Rolled steel for general structural use
Stainless steel	Austenitic stainless steel
Plastic	Engineering plastic
Sintered alloy	Ferrous sintered alloy (used for some RS25 sprockets)

6. Tooth Tips

	Specifications
Hardened teeth	Use sprockets with hardened teeth when tooth strength and wear resistance need to be increased. All Tough Tooth sprockets use hardened teeth.
Non-heat treated	Teeth are not hardened. The teeth on RS sprockets in the large tooth range are not heat treated.

7. Bores

The following three types of bores for attaching the sprocket to a shaft are available for RS sprockets.

Series	Appearance	Specifications
Standard pilot bore		You will need to further finish the bore when using.
Fit Bore		Uses a code for the type of bore finishing. Allows for accurate ordering with just the model number. Can be used as-is right after delivery.
Lock Sprocket		Tightening a bolt firmly locks the sprocket to the shaft by means of frictional force from the tapered sleeve. Can be attached simply with no troublesome keyway processing on the shaft side for easy phase matching. Removal is also easy.

Standard Roller Chain Model Numbering

Chain No. p.19

⚙️ p.30

🌡️ p.15

🔧 p.186

This page shows the series, number of strands, as well as types of pins and connecting links that can be selected for each size. Also refer to “Ordering RS Roller Chain” on page 19.

Customized items are also available. Please contact a Tsubaki representative.

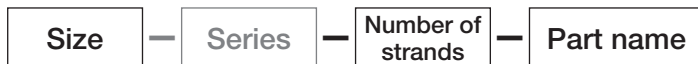
1. Chains ordered by specifying the number of links, etc.



◆ Model numbering example

RS60-1-RP+80L-MCJR

2. Individual parts, such as connecting links and offset links, ordered by quantity



◆ Model numbering example

RS140-1-MWJL
RS160-3-2POL

Note: Standard roller chains do not require series selection. However, for the series code, be sure to indicate H for BF25, and T for RF320 and RF400.

■ Pin type (column = size; row = no. of strands)

	1	2	3	4	5	6
RS15	RP	x	x	x	x	x
RS25	RP	RP	RP	RP	RP	RP
RS35	RP/CP	RP	RP	RP	RP	RP
RS40	RP/CP	RP/CP	RP	RP	RP	RP
RS50	RP/CP	RP/CP	RP	RP	RP	RP
RS60	RP/CP	RP/CP	RP/CP	RP	RP	RP
RS80	RP/CP	RP/CP	RP/CP	RP/CP	RP/CP	RP/CP
RS100	RP/CP	RP/CP	RP/CP	RP/CP	RP/CP	RP/CP
RS120	RP/CP	RP/CP	RP/CP	RP/CP	RP/CP	RP/CP
RS140	RP/CP	RP/CP	RP/CP	RP/CP	RP/CP	RP/CP
RS160	RP/CP	RP/CP	RP/CP	RP/CP	RP/CP	RP/CP
RS180	RP/CP	RP/CP	RP/CP	RP/CP	RP/CP	RP/CP
RS200	RP/CP	RP/CP	RP/CP	RP/CP	RP/CP	RP/CP
RS240	RP	RP	RP	RP	RP	RP

• Items in bold were standard pin types in the Tsubaki catalog up until April 2020.

	1	1 to 4
BF25	RP	RP
RS37	RP	
RS38	RP	
RS41	RP	

• Up to 8 strands are available depending on the size.

■ End link symbol for connecting links and part names (column = size; row = no. of strands)

	1	2	3	4	5	6	All strands
RS15	MCJ	x	x	x	x	x	x
RS25	MCJ	MCJ	MCJ	MCJ	MCJ	MCJ	x
RS35	MCJ	MCJ	MCJ	MCJ	MWJ	MWJ	F
RS40	MCJ	MCJ	MWJ	MWJ	MWJ	MWJ	F
RS50	MCJ	MCJ	MWJ	MWJ	MWJ	MWJ	F
RS60	MCJ	MCJ	MWJ	MWJ	MWJ	MWJ	F
RS80	MWJ	MWJ	MWJ	MWJ	MWJ	MWJ	F
RS100	MWJ	MWJ	MWJ	MWJ	MWJ	MWJ	F
RS120	MWJ	MWJ	MWJ	MWJ	MWJ	MWJ	F
RS140	MWJ	MWJ	MWJ	MWJ	MWJ	MWJ	F
RS160	MWJ	MWJ	MWJ	MWJ	MWJ	MWJ	F
RS180	MWJ	MWJ	MWJ	MWJ	MWJ	MWJ	F
RS200	MWJ	MWJ	MWJ	MWJ	MWJ	MWJ	F
RS240	MSJ	MSJ	MSJ	MSJ	MSJ	MSJ	F

• F type connecting links are available for RS40 and larger chains.

	1	1 to 4
BF25	MCJ	FTJ
RS37	MCJ	
RS38	MCJ	
RS41	MCJ	

■ Offset link types and part names (column = size; row = no. of strands)

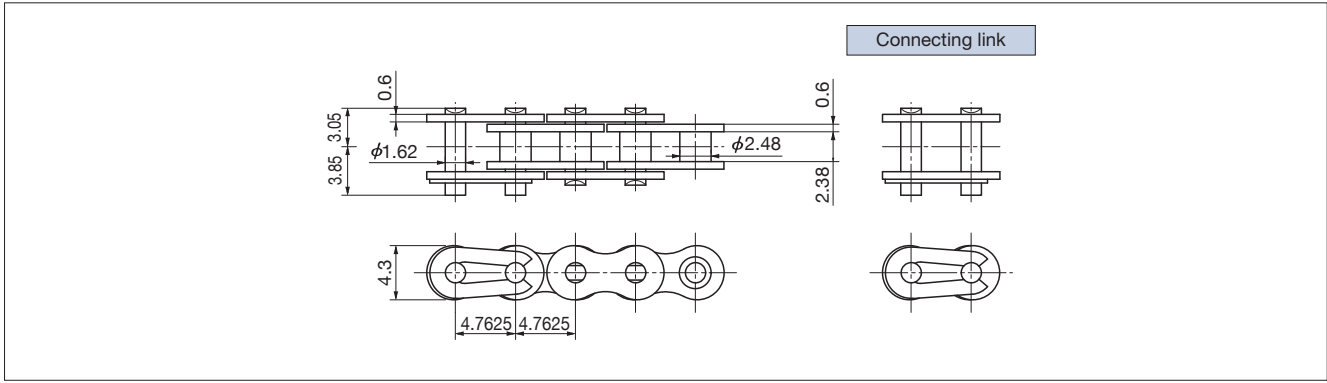
	1	2	3	4	5	6
RS15	x	x	x	x	x	x
RS25	2O	2O	2O	x	x	x
RS35	O/2O	O/2O	O/2O	O	O	O
RS40	O/2O	O/2O	O/2O	O	O	O
RS50	O/2O	O/2O	O/2O	O	O	O
RS60	O/2O	O/2O	O/2O	O	O	O
RS80	O/2O	O/2O	O/2O	O	O	O
RS100	O/2O	O/2O	O/2O	O	O	O
RS120	O/2O	O/2O	O/2O	O	O	O
RS140	O/2O	O/2O	O/2O	O	O	O
RS160	O/2O	O/2O	O/2O	O	O	O
RS180	O/2O	O/2O	O/2O	O	O	O
RS200	O/2O	O/2O	O/2O	O	O	O
RS240	O/2O	O/2O	O/2O	O	O	O

	1
BF25	x
RS37	O
RS38	O
RS41	O

• Offset links are not available for RF320 and RF400.
• Part names: O is offset link; 2O is 2-pitch offset link.

How to read chart

RP/CP	Select from RP or CP
RP	RP only
MWJ	M-type connecting link with cotter pin only
MCJ	M-type connecting link with clip only
MSJ	M-type connecting link with spring pin only
FTJ	F-type connecting link with T-pin only
O/2O	Select from offset link or 2-pitch offset link
O	Offset link only
2O	2-pitch offset link only
x	Not available



Specifications

Tsubaki chain number	Min. tensile strength kN{kgf}	Max. allowable load* ³ kN{kgf}	Approx. mass kg/m
RS15-1-RP	1.77{180}	0.31{32}	0.075

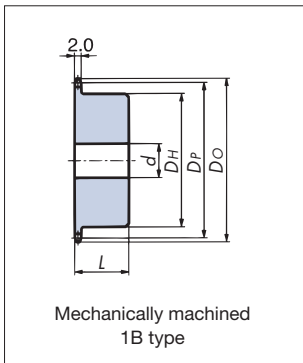
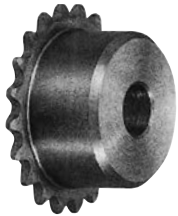
- Note: 1. Rollerless bushed chain.
 2. Offset links are not available.
 *3. The maximum allowable load when using an M-type connecting link is 0.25 kN.
 4. Number of links per unit = 210. Items in bold are stocked in units.

Model numbering example

RS15 -1 -RP + 200L -MCJR

Size Number of strands Pin type Number of links End link

Note: Standard roller chains do not require series selection.



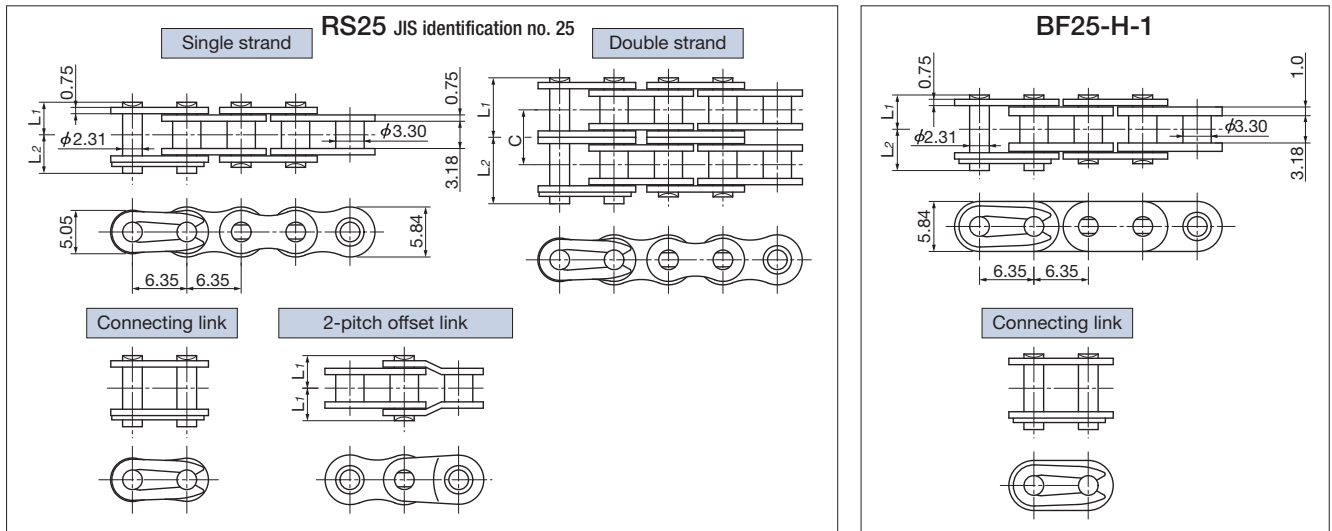
Model numbering example

RS15-1 B 15T

Size-Number of strands Hub type Number of teeth

Number of teeth	Pitch circle dia. D_P	Outer dia. (D_O)	Bore dia. d		Hub		Approx. mass g	Material
			Pilot bore	Max.	Dia. D_H	Length L		
11	16.90	19.0	4	7	11	10	9	Machine-structural carbon steel
12	18.40	20.5	4	8	12	10	10	
13	19.90	22.0	4	9	14	10	14	
14	21.40	23.5	6	10	15	12	17	
15	22.91	25.0	6	12	17	12	22	
16	24.41	26.5	8	12	18	12	23	
17	25.92	28.0	8	14	20	14	32	
18	27.43	29.5	8	14	22	14	40	
19	28.93	31.0	8	15	23	14	44	
20	30.44	32.5	8	15	24	14	49	
21	31.95	34.0	8	17	26	14	57	
22	33.46	35.5	8	17	27	14	62	
23	34.98	37.5	8	17	28	14	68	
24	36.49	39.0	8	20	30	16	88	
25	38.00	40.5	8	20	32	16	100	
26	39.51	42.0	10	22	33	16	104	
27	41.02	43.5	10	25	35	16	117	
28	42.54	45.0	10	25	37	16	131	
29	44.05	46.5	10	25	38	16	139	
30	45.56	48.0	10	25	39	16	147	
31	47.08	49.5	10	25	40	18	175	
32	48.59	51.0	10	25	40	18	176	
33	50.10	52.5	10	25	40	18	178	
34	51.62	54.0	10	25	40	18	180	
35	53.13	55.5	10	25	40	18	182	

- Note: 1. Bore diameters shown are standard figures. Determine bore diameter and key bearing pressure based on general mechanical design.
 2. Pilot bore diameters are finished to an H10 tolerance.
 3. All models stocked.



Specifications

Size	Number of strands	Dimensions L ₁	Dimensions L ₂	Transverse pitch C	ASME standard min. tensile strength kN{kgf}	Min. tensile strength kN{kgf}	Max. allowable load kN{kgf}	Approx. mass kg/m
RS25	1	3.8	4.5	-	3.5 {357}	4.12{420}	0.64 {65}	0.14
	2	7.0	7.7	6.4	7.0 {714}	8.24{840}	1.08{110}	0.27
	3	10.2	10.9	6.4	10.5{1071}	12.4{1260}	1.57{160}	0.42
BF25-H	1	4.01	4.81	-	-	4.9 {500}	0.78 {80}	0.17

Note: 1. Rollerless bushed chain.

2. Offset links for RS25 only available as 2-pitch offset links. Offset links for BF25-H-1 are not available.

3. Maximum allowable load when using an M-type connecting link is 80% of the above. When using 2-pitch offset links, minimum tensile strength for RS25-1 is 3.82kN, RS25-2 is 7.65kN, and RS25-3 is 11.5kN.

4. Number of links per unit = 160. Items in bold are stocked in units.

RS25 Maximum kilowatt ratings table (kW ratings for single strand chain)

Small sprocket no. of teeth	Small sprocket max rpm																								
	A I					A II					B														
9	0.02	0.03	0.08	0.13	0.18	0.23	0.30	0.36	0.43	0.49	0.57	0.67	0.78	0.76	0.64	0.55	0.47	0.41	0.37	0.33	0.30	0.27	0.25	0.23	0.19
10	0.02	0.04	0.10	0.15	0.20	0.26	0.33	0.41	0.48	0.55	0.64	0.76	0.87	0.89	0.75	0.64	0.55	0.49	0.43	0.39	0.35	0.32	0.29	0.26	0.23
11	0.02	0.04	0.11	0.17	0.23	0.28	0.37	0.45	0.53	0.61	0.71	0.84	0.96	1.03	0.86	0.74	0.64	0.56	0.50	0.44	0.40	0.36	0.33	0.30	0.26
12	0.02	0.04	0.12	0.18	0.25	0.31	0.40	0.49	0.58	0.67	0.78	0.92	1.06	1.17	0.98	0.84	0.73	0.64	0.57	0.51	0.46	0.41	0.38	0.35	0.30
13	0.03	0.05	0.13	0.20	0.27	0.34	0.44	0.54	0.63	0.73	0.85	1.00	1.15	1.30	1.11	0.95	0.82	0.72	0.64	0.57	0.52	0.47	0.43	0.39	0.33
14	0.03	0.05	0.14	0.22	0.29	0.37	0.48	0.58	0.69	0.79	0.92	1.09	1.25	1.41	1.24	1.06	0.92	0.80	0.71	0.64	0.58	0.52	0.48	0.44	0.37
15	0.03	0.05	0.15	0.23	0.32	0.40	0.51	0.63	0.74	0.85	0.99	1.17	1.35	1.52	1.37	1.17	1.02	0.89	0.79	0.71	0.64	0.58	0.53	0.49	0.41
16	0.03	0.06	0.16	0.25	0.34	0.43	0.55	0.67	0.79	0.91	1.07	1.26	1.44	1.63	1.51	1.29	1.12	0.98	0.87	0.78	0.70	0.64	0.58	0.54	0.46
17	0.03	0.06	0.17	0.27	0.36	0.45	0.59	0.72	0.85	0.97	1.14	1.34	1.54	1.74	1.66	1.42	1.23	1.08	0.95	0.85	0.77	0.70	0.64	0.59	0.50
18	0.04	0.07	0.18	0.28	0.39	0.48	0.63	0.76	0.90	1.04	1.21	1.43	1.64	1.85	1.81	1.54	1.34	1.17	1.04	0.93	0.84	0.76	0.70	0.64	0.55
19	0.04	0.07	0.19	0.30	0.41	0.51	0.66	0.81	0.96	1.10	1.28	1.51	1.74	1.96	1.96	1.67	1.45	1.27	1.13	1.01	0.91	0.83	0.75	0.69	0.59
20	0.04	0.07	0.20	0.32	0.43	0.54	0.70	0.86	1.01	1.16	1.36	1.60	1.84	2.07	2.11	1.81	1.57	1.37	1.22	1.09	0.98	0.89	0.81	0.75	0.64
21	0.04	0.08	0.21	0.34	0.45	0.57	0.74	0.90	1.06	1.22	1.43	1.69	1.94	2.18	2.28	1.94	1.68	1.48	1.31	1.17	1.06	0.96	0.88	0.80	0.69
22	0.04	0.08	0.22	0.35	0.48	0.60	0.78	0.95	1.12	1.29	1.50	1.77	2.04	2.30	2.44	2.08	1.81	1.58	1.41	1.26	1.13	1.03	0.94	0.86	0.74
23	0.05	0.09	0.23	0.37	0.50	0.63	0.82	1.00	1.17	1.35	1.58	1.86	2.14	2.41	2.61	2.23	1.93	1.69	1.50	1.34	1.21	1.10	1.00	0.92	0.79
24	0.05	0.09	0.25	0.39	0.53	0.66	0.85	1.04	1.23	1.41	1.65	1.95	2.24	2.52	2.78	2.37	2.06	1.81	1.60	1.43	1.29	1.17	1.07	0.98	0.84
25	0.05	0.10	0.26	0.41	0.55	0.69	0.89	1.09	1.28	1.48	1.73	2.03	2.34	2.64	2.93	2.52	2.19	1.92	1.70	1.52	1.37	1.25	1.14	1.04	0.89
26	0.05	0.10	0.27	0.42	0.57	0.72	0.93	1.14	1.34	1.54	1.80	2.12	2.44	2.75	3.06	2.68	2.32	2.04	1.81	1.62	1.46	1.32	1.21	1.11	0.95
28	0.06	0.11	0.29	0.46	0.62	0.78	1.01	1.23	1.45	1.67	1.95	2.30	2.64	2.98	3.31	2.99	2.59	2.28	2.02	1.81	1.63	1.48	1.35	1.24	1.06
30	0.06	0.12	0.31	0.49	0.67	0.84	1.09	1.33	1.56	1.80	2.10	2.48	2.85	3.21	3.57	3.32	2.88	2.52	2.24	2.00	1.81	1.64	1.50	1.37	1.17
32	0.07	0.12	0.33	0.53	0.72	0.90	1.16	1.42	1.68	1.93	2.25	2.66	3.05	3.44	3.83	3.65	3.17	2.78	2.47	2.21	1.99	1.81	1.65	1.51	1.29
35	0.07	0.14	0.37	0.58	0.79	0.99	1.28	1.57	1.85	2.12	2.48	2.93	3.36	3.79	4.21	4.18	3.62	3.18	2.82	2.52	2.28	2.07	1.89	1.73	1.48
40	0.08	0.16	0.43	0.67	0.91	1.14	1.48	1.81	2.13	2.45	2.87	3.38	3.88	4.38	4.87	5.11	4.43	3.89	3.45	3.08	2.78	2.52	2.30	2.11	1.81
45	0.10	0.18	0.48	0.77	1.04	1.30	1.68	2.06	2.42	2.78	3.26	3.84	4.41	4.97	5.53	6.08	5.28	4.64	4.11	3.68	3.32	3.01	2.75	2.52	2.15

Note: Please contact a Tsubaki representative prior to use of kW ratings in the shaded area of the table.

Multi-strand factors

Number of chain strands	Two strands	Three strands
Multi-strand factor	1.7	2.5

Lubrication systems and methods

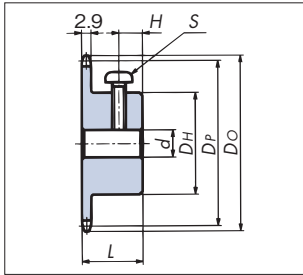
Lubrication system	A I	A II	B	C
Method	Manual lubrication	Drip lubrication	Oil bath or slinger disc lubrication	Forced pump lubrication

Details on pg. 216

Model numbering example RS25 -1 -RP + 150L -MCJR

Size: RS25, Number of strands: -1, Pin type: -RP, Number of links: +150L, End link: -MCJR

Note: Standard roller chains do not require series selection.



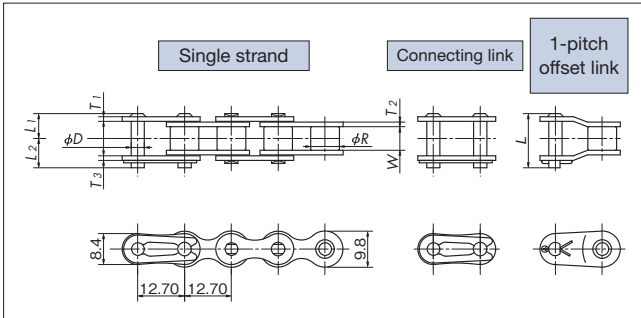
Note: 1. Bores are finished and fitted with a screw.
2. All models stocked.

Model numbering example

RS25 -1 B 10T -6

Size Number of strands Number of teeth Bore diameter d
Hub type

Number of teeth	Pitch circle dia. D_p	Outer dia. (D_o)	Bore dia. $d(H8)$	Hub		Cross-recessed head machine screw		Approx. mass g	Material
				Dia. D_H	Length L	Position H	S		
10	20.55	23.5	6• 8	13	14	4	M3X6	13	Sintered alloy
11	22.54	25.5	6• 8	15	14	4	M3X8	16	
12	24.53	27.5	8• 10	17	14	4	M4X8	20	
13	26.53	29.5	8• 10	18	14	4	M4X8	23	
14	28.54	31.5	8• 10	19	14	4	M4X8	26	
15	30.54	33.5	8• 10	20	14	4	M4X10	31	
16	32.55	35.5	8• 10	21	16	5	M4X10	38	
17	34.56	37.5	8• 10	23	16	5	M4X10	45	
18	36.57	39.5	8• 10	25	16	5	M4X12	52	
19	38.58	41.5	8• 10	26	16	5	M4X12	60	
20	40.59	43.5	8• 10	28	16	5	M4X14	68	Machine-structural carbon steel
21	42.61	45.5	8• 10	30	18	7	M4X14	80	
22	44.62	48.0	8• 10	30	18	7	M4X14	84	
23	46.63	50.0	8• 10	30	18	7	M4X14	88	
24	48.65	52.0	8• 10	30	18	7	M4X14	93	
25	50.66	54.0	8• 10	30	18	7	M4X14	98	
26	52.68	56.0	10• 12	30	18	7	M4X14	98	
28	56.71	60.0	10• 12	30	18	7	M4X14	103	
30	60.75	64.0	10• 12	30	18	7	M4X14	110	
32	64.78	68.0	10• 12	30	18	7	M4X14	117	



Note: 1. Maximum allowable load when using an M type connecting link is 80% of the above. Maximum allowable load when using a one-pitch offset link is 65% of the above.
2. Number of links per unit = 240. Items in bold are stocked in units.

Sprockets Sprockets are made-to-order. Contact a Tsubaki representative.

RS41 Maximum kilowatt ratings table (kW ratings for single strand chain)

Small sprocket no. of teeth	Small sprocket max rpm																								
	10	25	50	100	200	300	400	500	700	900	1000	1200	1400	1600	1800	2100	2400	2700	3000	3500	4000	5000	6000	7000	8000
9	0.02	0.05	0.10	0.18	0.34	0.49	0.64	0.78	1.05	1.32	1.24	0.95	0.75	0.61	0.52	0.41	0.33	0.28	0.24	0.19	0.16	0.11	0.08	0.07	0.05
10	0.03	0.06	0.11	0.20	0.38	0.55	0.71	0.87	1.18	1.48	1.46	1.11	0.88	0.72	0.60	0.48	0.39	0.33	0.28	0.22	0.18	0.13	0.10	0.08	0.06
11	0.03	0.07	0.12	0.23	0.42	0.61	0.79	0.96	1.31	1.64	1.68	1.28	1.01	0.83	0.70	0.55	0.45	0.38	0.32	0.26	0.21	0.15	0.11	0.09	0.07
12	0.03	0.07	0.13	0.25	0.46	0.67	0.87	1.06	1.43	1.80	1.91	1.46	1.16	0.95	0.79	0.63	0.52	0.43	0.37	0.29	0.24	0.17	0.13	0.10	0.08
13	0.03	0.08	0.15	0.27	0.51	0.73	0.95	1.16	1.56	1.96	2.16	1.64	1.30	1.07	0.89	0.71	0.58	0.49	0.42	0.33	0.27	0.19	0.15	0.12	0.10
14	0.04	0.08	0.16	0.29	0.55	0.79	1.02	1.25	1.69	2.12	2.34	1.84	1.46	1.19	1.00	0.79	0.65	0.54	0.46	0.37	0.30	0.22	0.16	0.13	0.11
15	0.04	0.09	0.17	0.32	0.59	0.85	1.10	1.35	1.83	2.29	2.52	2.04	1.62	1.32	1.11	0.88	0.72	0.60	0.52	0.41	0.33	0.24	0.18	0.14	0.12
16	0.04	0.10	0.18	0.34	0.63	0.91	1.18	1.45	1.96	2.45	2.70	2.24	1.78	1.46	1.22	0.97	0.79	0.66	0.57	0.45	0.37	0.26	0.20	0.16	0.13
17	0.05	0.10	0.19	0.36	0.68	0.97	1.26	1.54	2.09	2.62	2.88	2.46	1.95	1.60	1.34	1.06	0.87	0.73	0.62	0.49	0.40	0.29	0.22	0.17	0.14
18	0.05	0.11	0.21	0.39	0.72	1.04	1.34	1.64	2.22	2.79	3.06	2.68	2.12	1.74	1.46	1.16	0.95	0.79	0.68	0.54	0.44	0.31	0.24	0.19	
19	0.05	0.12	0.22	0.41	0.76	1.10	1.42	1.74	2.36	2.95	3.25	2.90	2.30	1.89	1.58	1.25	1.03	0.86	0.73	0.58	0.48	0.34	0.26	0.21	
20	0.05	0.12	0.23	0.43	0.81	1.16	1.51	1.84	2.49	3.12	3.43	3.13	2.49	2.04	1.71	1.35	1.11	0.93	0.79	0.63	0.52	0.37	0.28	0.22	
21	0.06	0.13	0.24	0.46	0.85	1.22	1.59	1.94	2.63	3.29	3.62	3.37	2.68	2.19	1.84	1.46	1.19	1.00	0.85	0.68	0.55	0.40	0.30	0.24	
22	0.06	0.14	0.26	0.48	0.89	1.29	1.67	2.04	2.76	3.46	3.81	3.62	2.87	2.35	1.97	1.56	1.28	1.07	0.91	0.73	0.59	0.43	0.32	0.26	
23	0.06	0.14	0.27	0.50	0.94	1.35	1.75	2.14	2.90	3.63	3.99	3.87	3.07	2.51	2.10	1.67	1.37	1.15	0.98	0.78	0.64	0.45	0.35	0.27	
24	0.07	0.15	0.28	0.53	0.98	1.41	1.83	2.24	3.03	3.80	4.18	4.12	3.27	2.68	2.24	1.78	1.46	1.22	1.04	0.83	0.68	0.48	0.37	0.29	
25	0.07	0.16	0.29	0.55	1.03	1.48	1.92	2.34	3.17	3.97	4.37	4.38	3.48	2.85	2.38	1.89	1.55	1.30	1.11	0.88	0.72	0.52	0.39		
26	0.07	0.16	0.31	0.57	1.07	1.54	2.00	2.44	3.31	4.15	4.56	4.65	3.69	3.02	2.53	2.01	1.64	1.38	1.18	0.93	0.76	0.55	0.42		
28	0.08	0.18	0.33	0.62	1.16	1.67	2.16	2.65	3.58	4.49	4.94	5.19	4.12	3.37	2.83	2.24	1.84	1.54	1.31	1.04	0.85	0.61	0.46		
30	0.08	0.19	0.36	0.67	1.25	1.80	2.33	2.85	3.86	4.84	5.32	5.76	4.57	3.74	3.13	2.49	2.04	1.71	1.46	1.16	0.95	0.68	0.52		
32	0.09	0.21	0.38	0.72	1.34	1.93	2.50	3.06	4.14	5.19	5.70	6.34	5.03	4.12	3.45	2.74	2.24	1.88	1.60	1.27	1.04	0.75			
35	0.10	0.23	0.42	0.79	1.48	2.13	2.75	3.37	4.56	5.72	6.28	7.26	5.76	4.71	3.95	3.13	2.57	2.15	1.84	1.46	1.19	0.85			
40	0.12	0.26	0.49	0.91	1.71	2.46	3.18	3.89	5.27	6.60	7.26	8.55	7.04	5.76	4.83	3.83	3.13	2.63	2.24	1.78	1.46	1.04			
45	0.13	0.30	0.56	1.04	1.94	2.79	3.61	4.42	5.98	7.50	8.24	9.71	8.39	6.87	5.76	4.57	3.74	3.13	2.68	2.12	1.74				

Note: Please contact a Tsubaki representative prior to use of kW ratings in the shaded area of the table.

Lubrication systems and methods

Lubrication system	AI	AII	B	C
Method	Manual lubrication	Drip lubrication	Oil bath or slinger disc lubrication	Forced pump lubrication

Details on pg. 216

Model numbering example

RS41 -1 -RP + 230L -MCJR

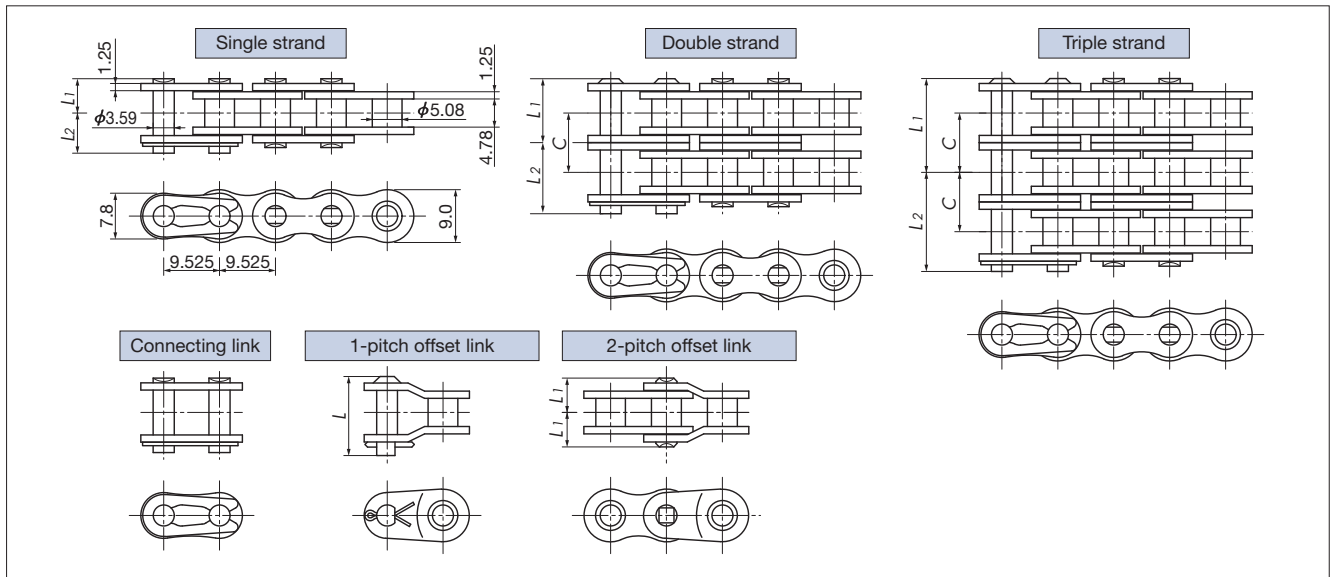
Size Number of strands Pin type Number of links End link

Note: Standard roller chains do not require series selection.

Before Use
Standard Roller Chains
Lube-Free Roller Chains
Heavy Duty Roller Chains
Corrosion Resistant Roller Chains
Specialty Roller Chains
Sprockets
Pin Gear Drives
Accessories
Handling

Standard Roller Chains RS Roller Chain RS35

(JIS identification no. 35)



Specifications

Size	Number of strands	Dimensions L ₁	Dimensions L ₂	Offset pin length L	Transverse pitch C	ASME standard min. tensile strength kN{kgf}	Min. tensile strength kN{kgf}	Max. allowable load kN{kgf}	Approx. mass kg/m
RS35	1	5.85	6.85	13.5	10.1	7.9 {806}	9.81 {1000}	2.16{220}	0.33
	2	10.9	11.9	24.5		15.8{1612}	19.6 {2000}	3.63{370}	0.69
	3	16.0	16.9	34.6		23.7{2417}	29.4 {3000}	5.39{550}	1.05

- Note: 1. Rollerless bushed chain.
 2. Maximum allowable load when using a one-pitch offset link is 65% of the above.
 3. Number of links per unit = 320. Items in bold are stocked in units.

RS35 Maximum kilowatt ratings table (kW ratings for single strand chain)

Small sprocket max rpm	Small sprocket max rpm																								
	50	100	300	500	700	900	1200	1500	1800	2100	2500	3000	3500	4000	4500	5000	5500	6000	6500	7000	7500	8000	8500	9000	10000
Lubrication Small sprocket no. of teeth	A I				A II				B												C				
	9	0.09	0.17	0.47	0.74	1.00	1.26	1.63	1.99	2.34	2.69	2.13	1.62	1.29	1.05	0.88	0.75	0.65	0.57	0.51	0.46	0.41	0.37	0.34	0.31
10	0.10	0.19	0.52	0.83	1.12	1.41	1.82	2.23	2.63	3.02	2.50	1.90	1.51	1.23	1.03	0.88	0.77	0.67	0.60	0.53	0.48	0.44	0.40	0.37	0.31
11	0.12	0.22	0.58	0.92	1.24	1.56	2.02	2.47	2.91	3.34	2.88	2.19	1.74	1.42	1.19	1.02	0.88	0.77	0.69	0.61	0.55	0.50	0.46	0.42	0.36
12	0.13	0.24	0.64	1.01	1.37	1.71	2.22	2.71	3.20	3.67	3.28	2.50	1.98	1.62	1.36	1.16	1.01	0.88	0.78	0.70	0.63	0.57	0.52	0.48	0.41
13	0.14	0.26	0.70	1.10	1.49	1.87	2.42	2.96	3.49	4.01	3.70	2.82	2.23	1.83	1.53	1.31	1.13	1.00	0.88	0.79	0.71	0.65	0.59	0.54	0.46
14	0.15	0.28	0.75	1.19	1.61	2.02	2.62	3.21	3.78	4.34	4.14	3.15	2.50	2.04	1.71	1.46	1.27	1.11	0.99	0.88	0.80	0.72	0.66	0.61	0.52
15	0.16	0.30	0.81	1.29	1.74	2.18	2.83	3.45	4.07	4.68	4.59	3.49	2.77	2.27	1.90	1.62	1.41	1.23	1.09	0.98	0.88	0.80	0.73	0.67	0.57
16	0.17	0.32	0.87	1.38	1.87	2.34	3.03	3.70	4.36	5.01	5.05	3.85	3.05	2.50	2.09	1.79	1.55	1.36	1.21	1.08	0.97	0.88	0.81	0.74	0.63
17	0.19	0.35	0.93	1.47	1.99	2.50	3.23	3.95	4.66	5.35	5.54	4.21	3.34	2.74	2.29	1.96	1.70	1.49	1.32	1.18	1.07	0.97	0.88	0.81	0.69
18	0.20	0.37	0.99	1.56	2.12	2.66	3.44	4.21	4.96	5.69	6.03	4.59	3.64	2.98	2.50	2.13	1.85	1.62	1.44	1.29	1.16	1.05	0.96	0.88	0.75
19	0.21	0.39	1.05	1.66	2.25	2.82	3.65	4.46	5.25	6.04	6.54	4.98	3.95	3.23	2.71	2.31	2.00	1.76	1.56	1.40	1.26	1.14	1.04	0.96	0.82
20	0.22	0.41	1.11	1.75	2.37	2.98	3.86	4.71	5.55	6.38	7.06	5.37	4.26	3.49	2.93	2.50	2.16	1.90	1.69	1.51	1.36	1.23	1.13	1.03	0.88
21	0.23	0.43	1.17	1.85	2.50	3.14	4.06	4.97	5.85	6.72	7.60	5.78	4.59	3.76	3.15	2.69	2.33	2.04	1.81	1.62	1.46	1.33	1.21	1.11	0.95
22	0.24	0.46	1.23	1.94	2.63	3.30	4.27	5.22	6.16	7.07	8.15	6.20	4.92	4.03	3.37	2.88	2.50	2.19	1.94	1.74	1.57	1.42	1.30	1.19	1.02
23	0.26	0.48	1.29	2.04	2.76	3.46	4.48	5.48	6.46	7.42	8.68	6.63	5.26	4.30	3.61	3.08	2.67	2.34	2.08	1.86	1.68	1.52	1.39	1.28	1.09
24	0.27	0.50	1.35	2.13	2.89	3.62	4.69	5.74	6.76	7.77	9.09	7.06	5.61	4.59	3.85	3.28	2.85	2.50	2.21	1.98	1.79	1.62	1.48	1.36	1.16
25	0.28	0.52	1.41	2.23	3.02	3.79	4.91	6.00	7.07	8.12	9.50	7.51	5.96	4.88	4.09	3.49	3.03	2.66	2.35	2.11	1.90	1.72	1.57	1.45	1.23
26	0.29	0.55	1.47	2.33	3.15	3.95	5.12	6.26	7.37	8.47	9.91	7.97	6.32	5.17	4.34	3.70	3.21	2.82	2.50	2.23	2.02	1.83	1.67	1.53	1.31
28	0.32	0.59	1.59	2.52	3.41	4.28	5.54	6.78	7.99	9.18	10.7	8.90	7.06	5.78	4.85	4.14	3.59	3.15	2.79	2.50	2.25	2.04	1.87	1.71	1.46
30	0.34	0.64	1.72	2.72	3.68	4.61	5.97	7.30	8.60	9.89	11.6	9.87	7.83	6.41	5.37	4.59	3.98	3.49	3.10	2.77	2.50	2.27	2.07	1.90	1.62
32	0.37	0.68	1.84	2.91	3.94	4.94	6.40	7.83	9.23	10.6	12.4	10.9	8.63	7.06	5.92	5.05	4.38	3.85	3.41	3.05	2.75	2.50	2.28	2.09	
35	0.40	0.75	2.03	3.21	4.34	5.45	7.06	8.63	10.2	11.7	13.7	12.4	9.87	8.08	6.77	5.78	5.01	4.40	3.90	3.49	3.15	2.86	2.61	2.39	
40	0.47	0.87	2.34	3.71	5.02	6.29	8.15	9.96	11.7	13.5	15.8	15.2	12.1	9.87	8.27	7.06	6.12	5.37	4.77	4.26	3.85	3.49			
45	0.53	0.99	2.66	4.21	5.70	7.14	9.26	11.3	13.3	15.3	17.9	18.1	14.4	11.8	9.87	8.43	7.31	6.41	5.69	5.09					

- Note: 1. kW ratings when using one pitch offset links are 80% of the above.
 2. Please contact a Tsubaki representative prior to use of kW ratings in the shaded area of the table.

Multi-strand factors

Number of chain strands	Two strands	Three strands
Multi-strand factor	1.7	2.5

Lubrication systems and methods

Lubrication system	A I	A II	B	C
Method	Manual lubrication	Drip lubrication	Oil bath or slinger disc lubrication	Forced pump lubrication

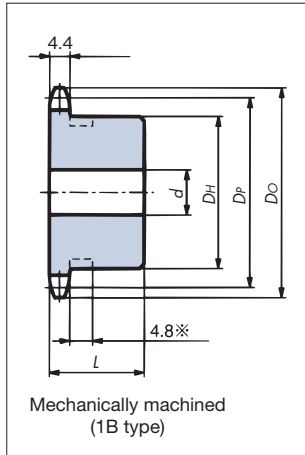
Details on pg. 216

Model numbering example RS35 -1 -RP + 310L -MCJR

Size Number of strands Pin type Number of links End link

Note: Standard roller chains do not require series selection.

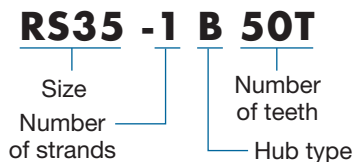
Before Use
Standard Roller Chains
Lube-Free Roller Chains
Heavy Duty Roller Chains
Corrosion Resistant Roller Chains
Specialty Roller Chains
Sprockets
Pin Gear Drives
Accessories
Handling



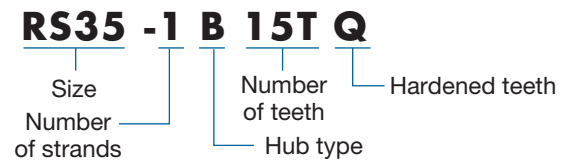
Number of teeth	Pitch circle dia. D_p	Outer dia. (D_o)	1B type				Approx. mass kg	Material	Number of teeth
			Bore dia. d		Hub				
			Pilot bore	Max.	Dia. D_H	Length L			
9	27.85	32	8	11	22	20	0.05	*	9
10	30.82	35	8	12	25	20	0.07	*	10
11	33.81	38	8	14	27	20	0.08	*	11
12	36.80	41	8	16.5	31	20	0.11	*	12
13	39.80	44	9.5	18	32	20	0.12	*	13
14	42.80	47	9.5	16.5	30	20	0.12	Mechanically machined: machine-structural carbon steel	14
15	45.81	51	9.5	19	35	20	0.16		15
16	48.82	54	9.5	20	37	20	0.18		16
17	51.84	57	9.5	24	41	20	0.22		17
18	54.85	60	9.5	24.5	44	20	0.25		18
19	57.87	63	9.5	28.5	47	20	0.29		19
20	60.89	66	9.5	30	50	20	0.32		20
21	63.91	69	9.5	32	53	20	0.36		21
22	66.93	72	9.5	32	53	20	0.37		22
23	69.95	75	9.5	32	53	20	0.38		23
24	72.97	78	9.5	32	53	22	0.43		24
25	76.00	81	12.7	32	53	22	0.43		25
26	79.02	84	12.7	32	53	22	0.44		26
27	82.05	87	12.7	32	53	22	0.45		27
28	85.07	90	12.7	32	53	22	0.47		28
30	91.12	96	12.7	32	53	22	0.50		30
32	97.18	102	12.7	32	53	22	0.53		32
34	103.23	109	12.7	32	53	22	0.56		34
35	106.26	112	12.7	32	53	22	0.58		35
36	109.29	115	12.7	32	53	22	0.59		36
38	115.34	121	13	42	63	25	0.82		38
40	121.40	127	13	42	63	25	0.86		40
42	127.46	133	13	42	63	25	0.90		42
45	136.55	142	13	42	63	25	0.96		45
48	145.64	151	13	42	63	25	1.0		48
50	151.69	157	13	42	63	25	1.1		50
54	163.82	169	13	42	63	25	1.2		54
60	182.00	187	13	42	63	25	1.4		60
65	197.15	203	16	45	68	25	1.6		65
70	212.30	218	16	45	68	25	1.7		70
75	227.46	233	16	45	68	25	1.9	75	

- Note: 1. Maximum bore diameters shown are standard figures. Determine bore diameter and key bearing pressure based on general mechanical design.
 2. Models marked with an * above have a groove around the periphery of the hub. Groove outer diameter is 16 for 9T, 18 for 10T, 22 for 11T, 24 for 12T, and 28 for 13T.
 3. Models in shaded areas have hardened teeth.
 4. Sprockets with 42 or more teeth do not have hardened teeth, but they can be manufactured with hardened teeth (quick delivery).
 5. All models stocked.

Model numbering example

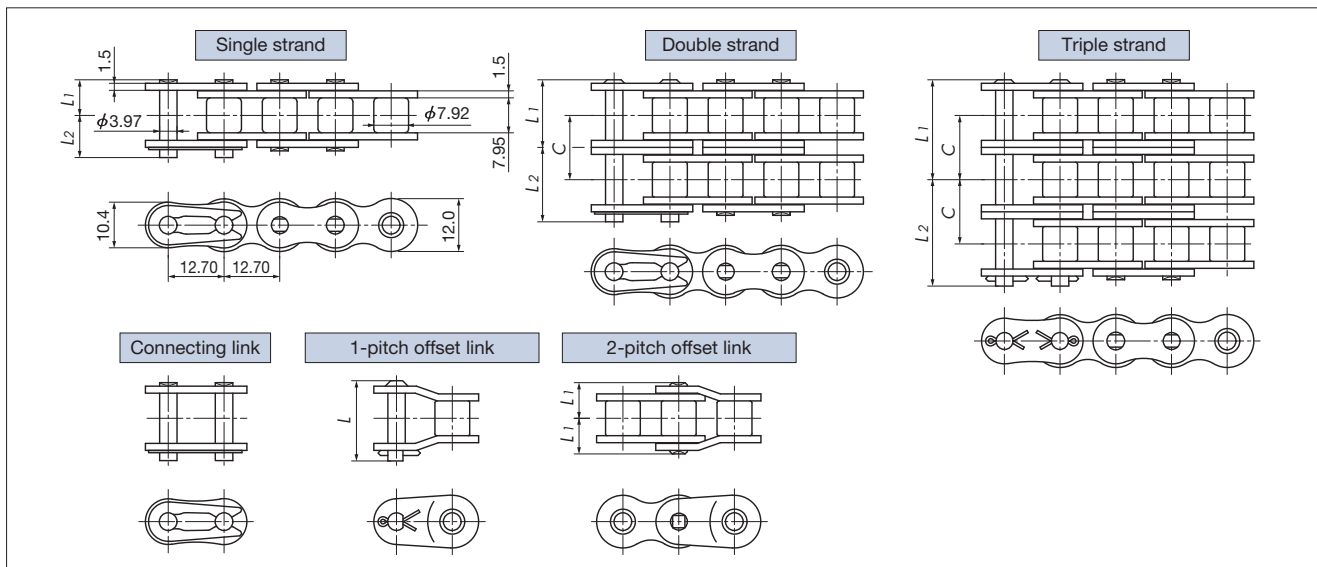


Hardened teeth model numbering example



Standard Roller Chains and Sprockets RS Roller Chain RS40

(JIS identification no. 40)



Specifications

Size	Number of strands	Dimensions L ₁	Dimensions L ₂	Offset pin length L	Transverse pitch C	ASME standard min. tensile strength kN[kg _f]	Min. tensile strength kN[kg _f]	Max. allowable load kN[kg _f]	Approx. mass kg/m
RS40	1	8.25	9.95	18.2	14.4	13.9{1418}	17.7{1800}	3.63{370}	0.64
	2	15.45	17.15	33.5		27.8{2835}	35.3{3600}	6.18{630}	1.27
	3	22.65	24.15	47.9		41.7{4253}	53.0{5400}	9.12{930}	1.90
	4	29.9	31.3	62.3		-	70.6{7200}	12.0{1220}	2.53
	5	37.1	38.6	76.8		-	88.3{9000}	14.1{1440}	3.16
	6	44.3	45.8	91.2		-	106{10800}	16.7{1700}	3.79

Note: 1. Maximum allowable load when using a one-pitch offset link is 65% of the above.
 2. Number of links per unit = 240. Items in bold are stocked in units.

RS40 Maximum kilowatt ratings table (kW ratings for single strand chain)

Small sprocket max rpm	Small sprocket max rpm																								
	10	25	50	100	200	300	400	500	700	900	1000	1200	1400	1600	1800	2100	2400	2700	3000	3500	4000	5000	6000	7000	8000
Lubrication	AI																								
Small sprocket no. of teeth	AII																								
	B																								
	C																								
9	0.07	0.15	0.28	0.52	0.97	1.40	1.81	2.21	3.00	3.75	3.75	3.75	3.75	3.07	2.58	2.04	1.67	1.40	1.20	0.95	0.78	0.56	0.42	0.34	0.27
10	0.07	0.17	0.31	0.58	1.09	1.57	2.03	2.48	3.36	4.21	4.40	4.40	4.40	3.60	3.02	2.39	1.96	1.64	1.40	1.11	0.91	0.65	0.50	0.39	0.32
11	0.08	0.19	0.35	0.65	1.21	1.74	2.25	2.75	3.72	4.67	5.07	5.07	5.07	4.15	3.48	2.76	2.26	1.89	1.62	1.28	1.05	0.75	0.57	0.45	0.37
12	0.09	0.20	0.38	0.71	1.32	1.91	2.47	3.02	4.09	5.13	5.64	5.67	5.67	4.73	3.97	3.15	2.58	2.16	1.84	1.46	1.20	0.86	0.65	0.52	0.42
13	0.10	0.22	0.41	0.77	1.44	2.08	2.69	3.29	4.46	5.59	6.15	6.18	6.18	5.34	4.47	3.55	2.90	2.43	2.08	1.65	1.35	0.97	0.73	0.58	0.48
14	0.11	0.24	0.45	0.84	1.56	2.25	2.92	3.57	4.83	6.06	6.66	6.70	6.70	5.96	5.00	3.97	3.25	2.72	2.32	1.84	1.51	1.08	0.82	0.65	0.53
15	0.11	0.26	0.48	0.90	1.69	2.43	3.14	3.84	5.20	6.52	7.17	7.21	7.21	6.61	5.54	4.40	3.60	3.02	2.58	2.04	1.67	1.20	0.91	0.72	0.59
16	0.12	0.28	0.52	0.97	1.81	2.60	3.37	4.12	5.58	7.00	7.69	7.74	7.74	7.28	6.10	4.84	3.97	3.32	2.84	2.25	1.84	1.32	1.00	0.80	0.65
17	0.13	0.30	0.55	1.03	1.93	2.78	3.60	4.40	5.96	7.47	8.21	8.26	8.26	7.98	6.69	5.31	4.34	3.64	3.11	2.47	2.02	1.44	1.10	0.87	0.71
18	0.14	0.32	0.59	1.10	2.05	2.96	3.83	4.68	6.34	7.94	8.73	8.79	8.79	8.69	7.28	5.78	4.73	3.97	3.39	2.69	2.20	1.57	1.20	0.95	
19	0.15	0.33	0.62	1.17	2.18	3.13	4.06	4.96	6.72	8.42	9.26	9.43	9.43	9.43	7.90	6.27	5.13	4.30	3.67	2.91	2.38	1.71	1.30	1.03	
20	0.15	0.35	0.66	1.23	2.30	3.31	4.29	5.24	7.10	8.90	9.79	10.2	10.2	10.2	8.53	6.77	5.54	4.64	3.97	3.15	2.58	1.84	1.40	1.11	
21	0.16	0.37	0.70	1.30	2.42	3.49	4.52	5.53	7.48	9.38	10.3	11.0	11.0	11.0	9.18	7.28	5.96	5.00	4.27	3.39	2.77	1.98	1.51	1.20	
22	0.17	0.39	0.73	1.37	2.55	3.67	4.76	5.81	7.87	9.87	10.8	11.7	11.7	11.7	9.84	7.81	6.39	5.36	4.57	3.63	2.97	2.13	1.62	1.28	
23	0.18	0.41	0.77	1.43	2.67	3.85	4.99	6.10	8.26	10.4	11.4	12.6	12.6	12.6	10.5	8.35	6.83	5.73	4.89	3.88	3.18	2.27	1.73	1.37	
24	0.18	0.43	0.80	1.50	2.80	4.03	5.22	6.39	8.65	10.8	11.9	13.4	13.4	13.4	11.2	8.90	7.28	6.10	5.21	4.14	3.39	2.42	1.84	1.46	
25	0.19	0.45	0.84	1.57	2.93	4.21	5.46	6.67	9.03	11.3	12.5	14.1	14.1	14.1	11.9	9.46	7.74	6.49	5.54	4.40	3.60	2.58	1.96		
26	0.20	0.47	0.88	1.64	3.05	4.40	5.70	6.96	9.43	11.8	13.0	14.7	14.7	14.7	12.6	10.0	8.21	6.88	5.88	4.66	3.82	2.73	2.08		
28	0.22	0.51	0.95	1.77	3.31	4.76	6.17	7.54	10.2	12.8	14.1	16.0	16.0	16.0	14.1	11.2	9.18	7.69	6.57	5.21	4.27	3.05	2.32		
30	0.23	0.55	1.02	1.91	3.56	5.13	6.65	8.13	11.0	13.8	15.2	17.2	17.2	17.2	15.7	12.4	10.2	8.53	7.28	5.78	4.73	3.39	2.58		
32	0.25	0.59	1.10	2.05	3.82	5.50	7.13	8.71	11.8	14.8	16.3	18.4	18.4	18.4	17.3	13.7	11.2	9.40	8.03	6.37	5.21	3.73			
35	0.27	0.65	1.21	2.26	4.21	6.06	7.85	9.60	13.0	16.3	17.9	20.3	20.3	20.3	19.8	15.7	12.8	10.8	9.18	7.28	5.96	4.27			
40	0.31	0.75	1.40	2.60	4.86	7.00	9.07	11.1	15.0	18.8	20.7	24.1	24.1	24.1	24.1	19.2	15.7	13.1	11.2	8.90	7.28	5.21			
45	0.35	0.85	1.59	2.96	5.52	7.95	10.3	12.6	17.0	21.4	23.5	27.7	28.8	28.8	28.8	22.9	18.7	15.7	13.4	10.6	8.69				

Note: 1. kW ratings when using one-pitch offset links are 65% of the above.
 2. Please contact a Tsubaki representative prior to use of kW ratings in the shaded area of the table.

Multi-strand factors

Number of chain strands	Two strands	Three strands	Four strands	Five strands	Six strands
Multi-strand factor	1.7	2.5	3.3	3.9	4.6

Lubrication systems and methods

Lubrication system	AI	AII	B	C
Method	Manual lubrication	Drip lubrication	Oil bath or slinger disc lubrication	Forced pump lubrication

Details on pg. 216

Model numbering example RS40 -1 -RP + 230L -MCJR

Size Number of strands Pin type Number of links End link

Note: Standard roller chains do not require series selection.

Standard Roller Chains RS Sprocket RS40

Before Use

Standard Roller Chains

Lube-Free Roller Chains

Heavy Duty Roller Chains

Corrosion Resistant Roller Chains

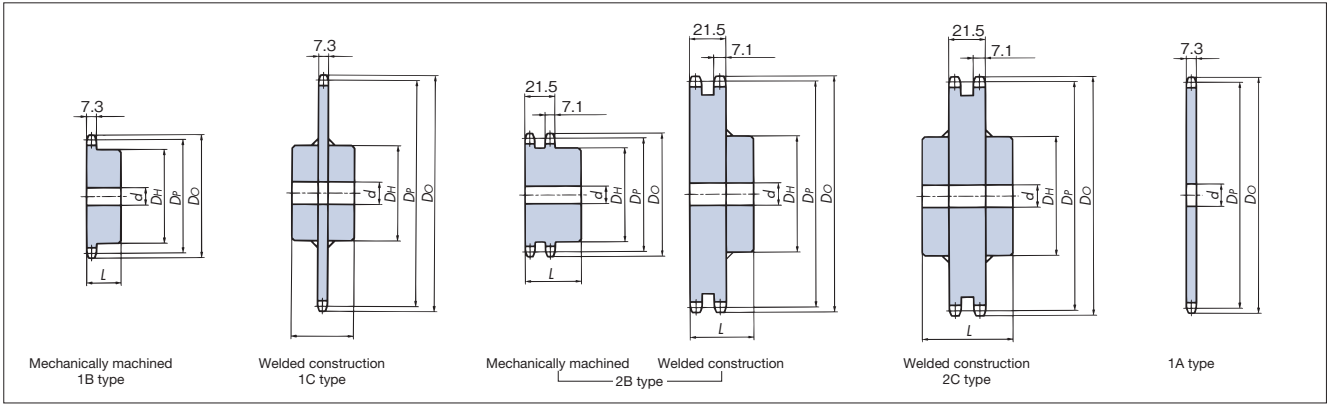
Specialty Roller Chains

Sprockets

Pin Gear Drives

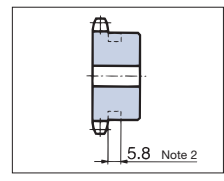
Accessories

Handling

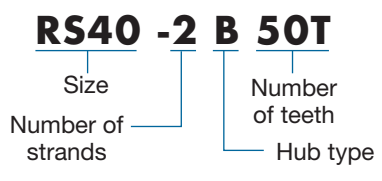


Number of teeth	Pitch circle dia. D_p	Outer dia. (D_o)	1B type					1C type					2B type					2C type					1A type		Number of teeth
			Bore dia. d		Hub		Approx. mass kg	Material	Bore dia. d		Hub		Approx. mass kg	Material	Bore dia. d		Hub		Approx. mass kg	Material	Pilot bore dia. d_p	Approx. mass kg	Material		
			Pilot bore	Max.	Dia. D_H	Length L			Pilot bore	Max.	Dia. D_H	Length L			Pilot bore	Max.	Dia. D_H	Length L						Pilot bore	
9	37.13	43	9.5	15	28	22	0.10	*																	9
10	41.10	47	9.5	16.5	32	22	0.13	*																	10
11	45.08	51	9.5	20	37	22	0.17	*																	11
12	49.07	55	9.5	22	40	22	0.21	*																	12
13	53.07	59	9.5	20	37	22	0.22	*																	13
14	57.07	63	9.5	24	42	22	0.28																		14
15	61.08	67	9.5	28.5	46	22	0.33																		15
16	65.10	71	12.7	30	50	22	0.37																		16
17	69.12	76	12.7	32	54	22	0.44																		17
18	73.14	80	12.7	35	57	22	0.49																		18
19	77.16	83	12.7	39.5	62	22	0.57																		19
20	81.18	88	12.7	45.5	67	25	0.73																		20
21	85.21	92	12.7	45.5	71	25	0.82																		21
22	89.24	96	12.7	50	75	25	0.91																		22
23	93.27	100	12.7	50	77	25	0.98																		23
24	97.30	104	12.7	42	63	25	0.80																		24
25	101.33	108	12.7	42	63	25	0.83																		25
26	105.36	112	12.7	42	63	25	0.87																		26
27	109.40	116	12.7	42	63	25	0.91																		27
28	113.43	120	12.7	42	63	25	0.95																		28
30	121.50	128	12.7	42	63	25	1.0		16	48	73	45	1.7												30
32	129.57	137	16	45	68	28	1.3		16	48	73	45	1.9												32
34	137.64	145	16	45	68	28	1.4		16	48	73	45	2.0												34
35	141.68	149	16	45	68	28	1.4		16	48	73	45	2.1												35
36	145.72	153	16	45	68	28	1.5		16	48	73	45	2.1												36
38	153.79	161	16	45	68	28	1.6		16	48	73	45	2.2												38
40	161.87	169	16	45	68	28	1.7		16	48	73	45	2.3												40
42	169.94	177	18	48	73	32	2.0		18	48	73	45	2.4												42
45	182.06	189	18	48	73	32	2.2		18	48	73	45	2.6												45
48	194.18	201	18	48	73	32	2.4		18	48	73	45	2.8												48
50	202.26	209	18	48	73	32	2.5		18	48	73	45	3.0												50
54	218.42	226	18	48	73	32	2.8		18	48	73	45	3.3												54
60	242.66	250	18	48	73	32	3.3		18	48	73	45	3.8												60
65	262.87	270	23	55	83	32	4.0		23	55	83	50	4.7												65
70	283.07	290	23	55	83	32	4.5		23	55	83	50	5.2												70
75	303.28	311	23	55	83	32	5.0		23	55	83	50	5.7												75

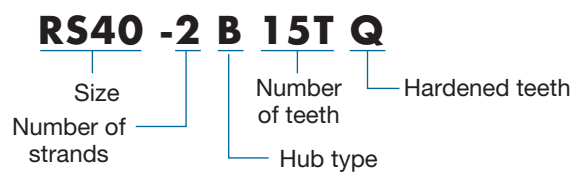
- Note: 1. Maximum bore diameters shown are standard figures. Determine bore diameter and key bearing pressure based on general mechanical design.
 2. Models marked with an * above have a groove around the periphery of the hub (shown in the diagram on the right). Groove outer diameter is 21 for 9T, 25 for 10T, 30 for 11T, and 32 for 12T.
 3. Weld construction: carbon steel for machine structural use.
 4. Models in shaded areas have hardened teeth.
 5. Models with unhardened teeth as standard can be manufactured with hardened teeth (quick delivery).
 6. Models with dimensions in thin font are made-to-order. All other items are stocked.



Model numbering example

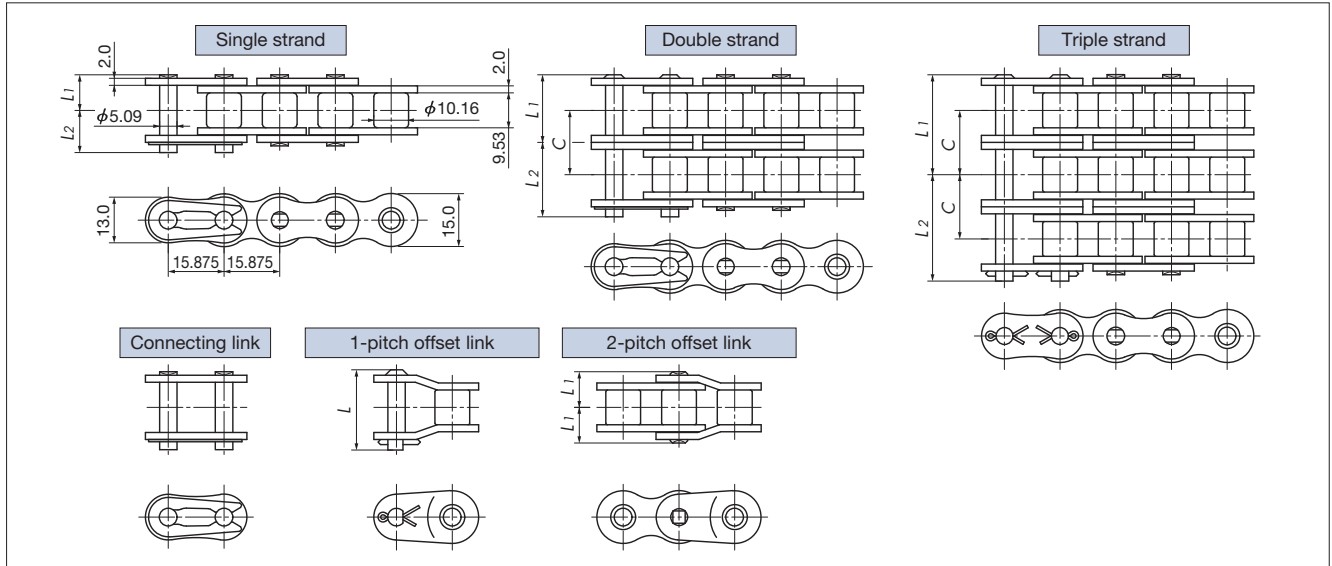


Hardened teeth model numbering example



Standard Roller Chains and Sprockets RS Roller Chain RS50

(JIS identification no. 50)



Specifications

Size	Number of strands	Dimensions L ₁	Dimensions L ₂	Offset pin length L	Transverse pitch C	ASME standard min. tensile strength kN{kgf}	Min. tensile strength kN{kgf}	Max. allowable load kN{kgf}	Approx. mass kg/m
RS50	1	10.3	11.9	22.6	18.1	21.8{2223}	28.4{2900}	6.37{650}	1.04
	2	19.35	21.15	41.8		43.6{4446}	56.9{5800}	10.8{1100}	2.07
	3	28.4	30.2	59.9		65.4{6669}	85.3{8700}	16.0{1630}	3.09
	4	37.45	39.25	78.1		-	114 {11600}	21.1{2150}	4.11
	5	46.5	48.3	96.2		-	142 {14500}	24.9{2540}	5.14
	6	55.6	57.4	114.4		-	171 {17400}	29.3{2990}	6.16

Note: 1. Maximum allowable load when using a one-pitch offset link is 65% of the above.
2. Number of links per unit = 192. Items in bold are stocked in units.

RS50 Maximum kilowatt ratings table (kW ratings for single strand chain)

Small sprocket max rpm	Small sprocket max rpm																								
	10	25	50	100	200	300	400	500	700	900	1000	1200	1400	1600	1800	2100	2400	2700	3000	3500	4000	4500	5000	5500	6000
Lubrication Small sprocket no. of teeth	A I					A II					B										C				
	9	0.14	0.33	0.61	1.14	2.13	3.07	3.97	4.86	6.35	6.35	6.35	5.66	4.49	3.67	3.08	2.44	2.00	1.68	1.43	1.14	0.93	0.78	0.67	0.58
10	0.16	0.37	0.69	1.28	2.39	3.44	4.45	5.44	7.11	7.11	7.11	6.62	5.26	4.30	3.61	2.86	2.34	1.96	1.68	1.33	1.09	0.91	0.78	0.68	0.59
11	0.18	0.41	0.76	1.42	2.64	3.81	4.93	6.03	7.88	7.88	7.88	7.64	6.07	4.96	4.16	3.30	2.70	2.26	1.93	1.53	1.26	1.05	0.90	0.78	0.68
12	0.20	0.45	0.83	1.56	2.90	4.18	5.42	6.63	8.71	8.71	8.71	8.71	6.91	5.66	4.74	3.76	3.08	2.58	2.20	1.75	1.43	1.20	1.02	0.89	0.78
13	0.21	0.49	0.91	1.70	3.17	4.56	5.91	7.22	9.78	9.78	9.78	9.82	7.79	6.38	5.34	4.24	3.47	2.91	2.48	1.97	1.61	1.35	1.15	1.00	0.89
14	0.23	0.53	0.99	1.84	3.43	4.94	6.40	7.83	10.6	11.0	11.0	11.0	8.71	7.13	5.97	4.74	3.88	3.25	2.78	2.20	1.80	1.51	1.29	1.12	0.98
15	0.25	0.57	1.06	1.98	3.70	5.32	6.90	8.43	11.4	12.2	12.2	12.2	9.66	7.90	6.62	5.26	4.30	3.61	3.08	2.44	2.00	1.68	1.43	1.24	1.08
16	0.27	0.61	1.14	2.12	3.96	5.71	7.40	9.04	12.2	13.4	13.4	13.4	10.6	8.71	7.30	5.79	4.74	3.97	3.39	2.69	2.20	1.85	1.58	1.37	1.18
17	0.29	0.65	1.22	2.27	4.23	6.10	7.90	9.65	13.1	14.7	14.7	14.7	11.7	9.54	7.99	6.34	5.19	4.35	3.71	2.95	2.41	2.02	1.73	1.50	1.28
18	0.30	0.69	1.29	2.41	4.50	6.48	8.40	10.3	13.9	15.8	15.8	15.8	12.7	10.4	8.71	6.91	5.66	4.74	4.05	3.21	2.63	2.20	1.88	1.62	1.38
19	0.32	0.73	1.37	2.56	4.77	6.87	8.90	10.9	14.7	16.8	16.8	16.8	13.8	11.3	9.44	7.49	6.13	5.14	4.39	3.48	2.85	2.39	2.04	1.74	1.46
20	0.34	0.78	1.45	2.70	5.04	7.26	9.41	11.5	15.6	17.7	17.7	17.7	14.9	12.2	10.2	8.09	6.62	5.55	4.74	3.76	3.08	2.58	2.20	1.85	1.54
21	0.35	0.82	1.53	2.85	5.32	7.66	9.92	12.1	16.4	18.7	18.7	18.7	16.0	13.1	11.0	8.71	7.13	5.97	5.10	4.05	3.31	2.78	2.37	1.98	1.63
22	0.37	0.86	1.61	3.00	5.59	8.05	10.4	12.8	17.3	19.6	19.6	19.6	17.2	14.0	11.8	9.34	7.64	6.41	5.47	4.34	3.55	2.98	2.54	2.11	1.71
23	0.39	0.90	1.68	3.14	5.87	8.45	10.9	13.4	18.1	20.6	20.6	20.6	18.3	15.0	12.6	9.98	8.17	6.85	5.85	4.64	3.80	3.18	2.68	2.22	1.78
24	0.40	0.95	1.76	3.29	6.14	8.85	11.5	14.0	19.0	21.6	21.6	21.6	19.5	16.0	13.4	10.6	8.71	7.30	6.23	4.94	4.05	3.39	2.85	2.35	1.88
25	0.42	0.99	1.84	3.44	6.42	9.24	12.0	14.6	19.8	22.5	22.5	22.5	20.8	17.0	14.3	11.3	9.26	7.76	6.62	5.26	4.30	3.61	3.01	2.48	1.96
26	0.44	1.03	1.92	3.59	6.70	9.64	12.5	15.3	20.7	23.5	23.5	23.5	22.0	18.0	15.1	12.0	9.82	8.23	7.03	5.58	4.56	3.82	3.18	2.58	1.98
28	0.47	1.12	2.08	3.89	7.25	10.4	13.5	16.5	22.4	25.5	25.5	25.5	24.6	20.2	16.9	13.4	11.0	9.20	7.85	6.23	5.10	4.27	3.51	2.85	2.22
30	0.51	1.20	2.24	4.19	7.81	11.3	14.6	17.8	24.1	27.5	27.5	27.5	27.3	22.4	18.7	14.9	12.2	10.2	8.71	6.91	5.66	4.56	3.71	3.01	2.35
32	0.54	1.29	2.41	4.49	8.38	12.1	15.6	19.1	25.9	30.1	30.1	30.1	30.1	24.6	20.6	16.4	13.4	11.2	9.59	7.61	6.23	5.04	4.18	3.41	2.68
35	0.59	1.42	2.65	4.95	9.23	13.3	17.2	21.1	28.5	34.4	34.4	34.4	34.4	28.2	23.6	18.7	15.3	12.9	11.0	8.71	7.13	5.66	4.56	3.71	2.95
40	0.67	1.64	3.06	5.71	10.7	15.4	19.9	24.3	32.9	41.3	42.1	42.1	42.1	34.4	28.8	22.9	18.7	15.7	13.4	10.6	8.71	7.13	5.66	4.56	3.71
45	0.76	1.86	3.48	6.49	12.1	17.4	22.6	27.6	37.4	46.9	48.9	48.9	48.9	41.1	34.4	27.3	22.4	18.7	16.0	12.9	10.6	8.71	7.13	5.66	4.56

Note: 1. kW ratings when using one-pitch offset links are 65% of the above.
2. Please contact a Tsubaki representative prior to use of kW ratings in the shaded area of the table.

Multi-strand factors

Number of chain strands	Two strands	Three strands	Four strands	Five strands	Six strands
Multi-strand factor	1.7	2.5	3.3	3.9	4.6

Lubrication systems and methods

Lubrication system	A I	A II	B	C
Method	Manual lubrication	Drip lubrication	Oil bath or slinger disc lubrication	Forced pump lubrication

Details on pg. 216

Model numbering example RS50 - 1 - RP + 182L - MCJR

Size Number of strands Pin type Number of links End link

Note: Standard roller chains do not require series selection.

Standard Roller Chains RS Sprocket RS50

Before Use

Standard Roller Chains

Lube-Free Roller Chains

Heavy Duty Roller Chains

Corrosion Resistant Roller Chains

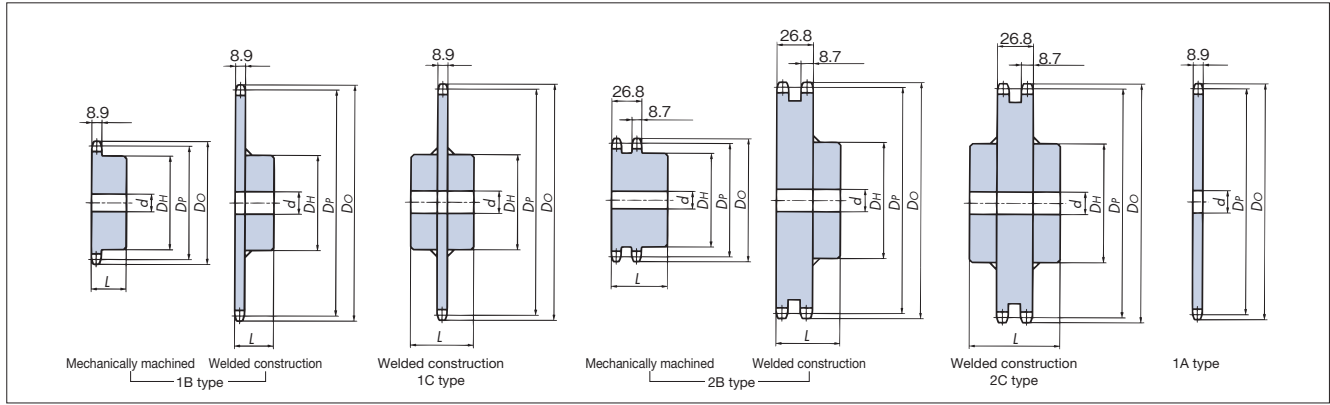
Specialty Roller Chains

Sprockets

Pin Gear Drives

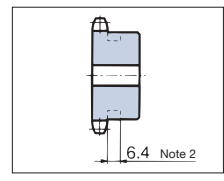
Accessories

Handling

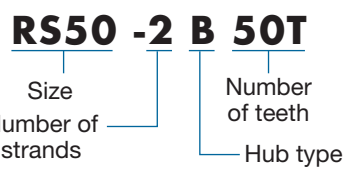


Number of teeth	Pitch circle dia. D_p	Outer dia. (D_o)	1B type					1C type					2B type					2C type					1A type		Number of teeth										
			Bore dia. d		Hub		Approx. mass kg	Bore dia. d		Hub		Approx. mass kg	Bore dia. d		Hub		Approx. mass kg	Bore dia. d		Hub		Approx. mass kg	Pilot bore dia. d	Approx. mass kg											
			Pilot bore	Max.	Dia. D_H	Length L		Pilot bore	Max.	Dia. D_H	Length L		Pilot bore	Max.	Dia. D_H	Length L		Pilot bore	Max.	Dia. D_H	Length L		Pilot bore	Max.	Dia. D_H	Length L		Pilot bore	Max.	Dia. D_H	Length L				
9	46.42	53	9.5	19	34	25	0.18	*																										9	
10	51.37	58	9.5	22	40	25	0.24	*																											10
11	56.35	64	12.7	25	46	25	0.30	*																											11
12	61.34	69	12.7	32	51	25	0.37	*																											12
13	66.33	74	12.7	32	51	25	0.42	*																											13
14	71.34	79	12.7	32	52	25	0.49	*																											14
15	76.35	84	12.7	35	57	25	0.58	*																											15
16	81.37	89	12.7	40	62	25	0.68	*																											16
17	86.39	94	12.7	45.5	67	25	0.78	*																											17
18	91.42	100	12.7	47.5	72	28	0.99	*																											18
19	96.45	105	12.7	47.5	73	28	1.1	*																											19
20	101.48	110	12.7	47.5	73	28	1.1	*																											20
21	106.51	115	15.9	47.5	73	28	1.2	*																											21
22	111.55	120	15.9	47.5	73	28	1.2	*																											22
23	116.59	125	15.9	47.5	73	28	1.3	*																											23
24	121.62	130	15.9	47.5	73	28	1.3	*																											24
25	126.66	135	15.9	47.5	73	28	1.4	*																											25
26	131.70	140	18	48	73	28	1.5	*																											26
27	136.74	145	18	48	73	28	1.5	*																											27
28	141.79	150	18	48	73	28	1.6	*																											28
30	151.87	161	18	48	73	28	1.8	*	18	55	83	50	2.7																					30	
32	161.96	171	18	48	73	28	1.9	*	18	55	83	50	3.0																						32
34	172.05	181	18	48	73	28	2.1	*	18	55	83	50	3.2																						34
35	177.10	186	18	48	73	28	2.2	*	18	55	83	50	3.3																						35
36	182.15	191	23	55	83	35	2.7	*	23	55	83	50	3.3																						36
38	192.24	201	23	55	83	35	2.9	*	23	55	83	50	3.5																						38
40	202.33	211	23	55	83	35	3.2	*	23	55	83	50	3.8																						40
42	212.43	221	23	55	83	35	3.4	*	23	55	83	50	4.0																						42
45	227.58	237	23	55	83	35	3.7	*	23	55	83	50	4.3																						45
48	242.73	252	23	55	83	35	4.1	*	23	55	83	50	4.7																						48
50	252.82	262	23	55	83	35	4.4	*	23	55	83	50	5.0																						50
54	273.03	282	23	55	83	35	5.0	*	23	55	83	50	5.6																						54
60	303.33	312	23	55	83	35	5.9	*	23	63	93	60	7.4																						60
65	328.58	338	23	63	93	40	7.3	*	23	63	93	60	8.3																						65
70	353.84	363	23	63	93	40	8.2	*	23	63	93	60	9.2																						70
75	379.10	388	23	63	93	40	9.2	*	23	63	93	60	10.2																						75

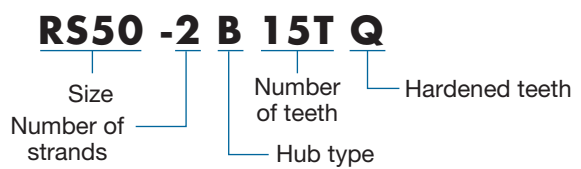
- Note: 1. Maximum bore diameters shown are standard figures. Determine bore diameter and key bearing pressure based on general mechanical design.
 2. Models marked with an * above have a groove around the periphery of the hub (shown in the diagram on the right). Groove outer diameter is 27 for 9T, 32 for 10T, 37 for 11T, 42 for 12T, and 47 for 13T.
 3. Weld construction: carbon steel for machine structural use.
 4. Models in shaded areas have hardened teeth.
 5. Models with unhardened teeth as standard can be manufactured with hardened teeth (quick delivery).
 6. Models with dimensions in thin font are made-to-order. All other items are stocked.



Model numbering example

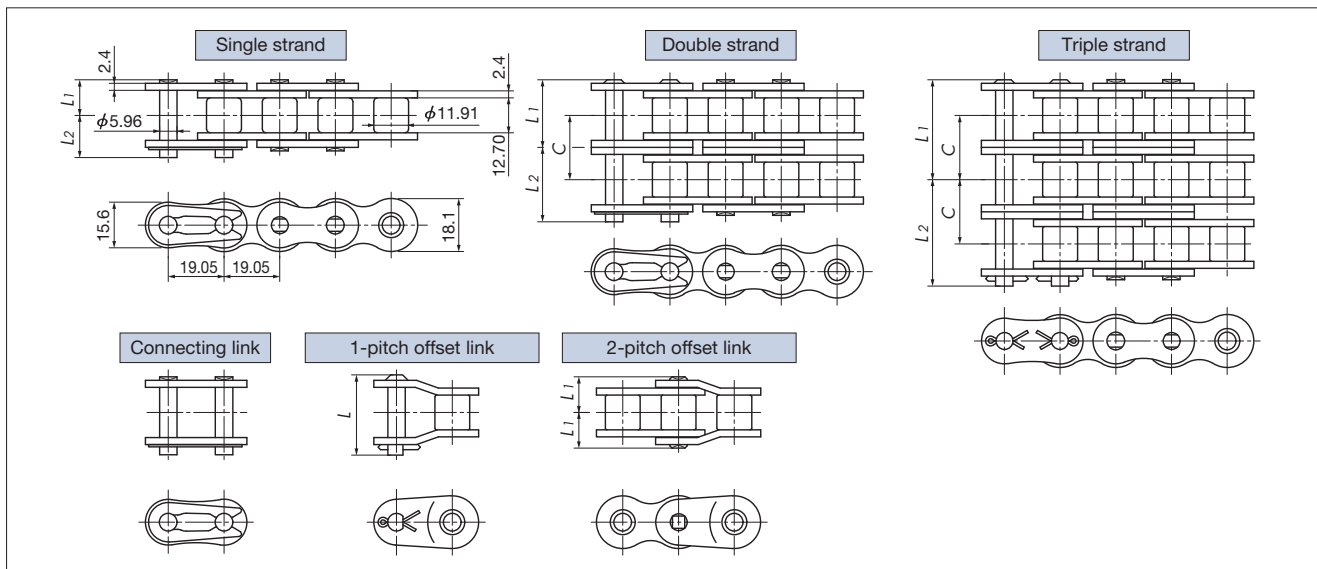


Hardened teeth model numbering example



Standard Roller Chains and Sprockets RS Roller Chain RS60

(JIS identification no. 60)



Specifications

Size	Number of strands	Dimensions L_1	Dimensions L_2	Offset pin length L	Transverse pitch C	ASME standard min. tensile strength kN{kgf}	Min. tensile strength kN{kgf}	Max. allowable load kN{kgf}	Approx. mass kg/m
RS60	1	12.85	14.75	28.2	22.8	31.3{3192}	40.2{4100}	8.83{900}	1.53
	2	24.25	26.25	52.6		62.6{6384}	80.4{8200}	15.0{1530}	3.04
	3	35.65	38.15	75.5		93.9{9576}	121 {12300}	22.1{2250}	4.54
	4	47.05	49.55	98.3		-	161 {16400}	29.1{2970}	6.04
	5	58.5	61.0	121.2		-	201 {20500}	34.4{3510}	7.54
	6	69.9	72.5	144.0		-	241 {24600}	40.6{4140}	9.05

Note: 1. Maximum allowable load when using a one-pitch offset link is 65% of the above.
 2. Number of links per unit = 160. Items in bold are stocked in units.

RS60 Maximum kilowatt ratings table (kW ratings for single strand chain)

Small sprocket no. of teeth	Small sprocket max rpm																								
	10	25	50	100	150	200	300	400	500	600	700	800	900	1000	1100	1200	1400	1600	1800	2000	2500	3000	3500	4000	4500
	A I					A II					B										C				
9	0.24	0.55	1.02	1.90	2.73	3.54	5.10	6.61	8.08	9.52	10.1	10.1	10.1	8.6	7.46	6.54	5.19	4.25	3.56	3.04	2.18	1.66	1.31	1.08	0.90
10	0.27	0.61	1.14	2.13	3.06	3.97	5.72	7.41	9.05	10.7	11.4	11.4	11.4	10.1	8.73	7.66	6.08	4.98	4.17	3.56	2.55	1.94	1.54	1.26	1.06
11	0.30	0.68	1.26	2.36	3.40	4.40	6.34	8.21	10.0	11.8	12.7	12.7	12.7	11.6	10.1	8.84	7.02	5.74	4.81	4.11	2.94	2.24	1.78	1.45	1.22
12	0.33	0.74	1.39	2.59	3.73	4.83	6.96	9.02	11.0	13.0	13.9	13.9	13.9	13.2	11.5	10.1	8.00	6.54	5.48	4.68	3.35	2.55	2.02	1.66	1.39
13	0.36	0.81	1.51	2.82	4.07	5.27	7.59	9.83	12.0	14.2	15.2	15.2	15.2	14.9	12.9	11.4	9.02	7.38	6.18	5.28	3.78	2.87	2.28	1.87	
14	0.39	0.88	1.64	3.06	4.41	5.71	8.22	10.7	13.0	15.3	16.7	16.7	16.7	16.7	14.5	12.7	10.1	8.25	6.91	5.90	4.22	3.21	2.55	2.09	
15	0.41	0.95	1.77	3.30	4.75	6.15	8.86	11.5	14.0	16.5	18.5	18.5	18.5	16.0	14.1	11.2	9.15	7.66	6.54	5.68	4.68	3.56	2.83	2.31	
16	0.44	1.01	1.89	3.53	5.09	6.59	9.50	12.3	15.0	17.7	20.4	20.4	20.4	17.7	15.5	12.3	10.1	8.44	7.21	6.16	5.16	3.92	3.11	2.55	
17	0.47	1.08	2.02	3.77	5.43	7.04	10.1	13.1	16.1	18.9	21.7	22.3	22.3	19.4	17.0	13.5	11.0	9.25	7.90	6.65	4.30	3.41	2.79		
18	0.50	1.15	2.15	4.01	5.78	7.49	10.8	14.0	17.1	20.1	23.1	23.7	23.7	23.7	21.1	18.5	14.7	12.0	10.1	8.60	6.16	4.68	3.72	3.04	
19	0.53	1.22	2.28	4.25	6.13	7.94	11.4	14.8	18.1	21.3	24.5	25.1	25.1	22.9	20.1	15.9	13.0	10.9	9.33	7.68	5.08	4.03	3.30		
20	0.56	1.29	2.41	4.50	6.48	8.39	12.1	15.7	19.1	22.6	25.9	26.6	26.6	24.7	21.7	17.2	14.1	11.8	10.1	7.21	5.48	4.35			
21	0.59	1.36	2.54	4.74	6.83	8.84	12.7	16.5	20.2	23.8	27.3	28.0	28.0	26.6	23.3	18.5	15.2	12.7	10.8	7.76	5.90	4.68			
22	0.62	1.43	2.67	4.98	7.18	9.30	13.4	17.4	21.2	25.0	28.7	29.5	29.5	28.5	25.0	19.8	16.2	13.6	11.6	8.32	6.33	5.02			
23	0.64	1.50	2.80	5.23	7.53	9.76	14.1	18.2	22.3	26.2	30.1	30.9	30.9	30.9	30.5	26.7	21.2	17.4	14.6	12.4	8.89	6.76	5.37		
24	0.67	1.57	2.93	5.47	7.89	10.2	14.7	19.1	23.3	27.5	31.5	32.5	32.5	32.5	32.5	28.5	22.6	18.5	15.5	13.2	9.48	7.21	5.72		
25	0.70	1.64	3.07	5.72	8.24	10.7	15.4	19.9	24.4	28.7	33.0	34.5	34.5	34.5	34.5	30.3	24.0	19.7	16.5	14.1	10.1	7.66	6.08		
26	0.73	1.71	3.20	5.97	8.60	11.1	16.0	20.8	25.4	29.9	34.4	36.6	36.6	36.6	36.6	32.1	25.5	20.9	17.5	14.9	10.7	8.13	6.45		
28	0.78	1.86	3.47	6.47	9.31	12.1	17.4	22.5	27.5	32.4	37.3	40.9	40.9	40.9	40.9	35.9	28.5	23.3	19.5	16.7	11.9	9.09			
30	0.84	2.00	3.73	6.97	10.0	13.0	18.7	24.3	29.7	34.9	40.1	44.9	44.9	44.9	44.9	39.8	31.6	25.9	21.7	18.5	13.2	10.1			
32	0.90	2.14	4.00	7.47	10.8	13.9	20.1	26.0	31.8	37.5	43.0	48.1	48.1	48.1	48.1	43.9	34.8	28.5	23.9	20.4	14.6	11.1			
35	0.98	2.36	4.41	8.23	11.9	15.4	22.1	28.7	35.0	41.3	47.4	53.0	53.0	53.0	53.0	50.2	39.8	32.6	27.3	23.3	16.7	12.7			
40	1.12	2.73	5.09	9.50	13.7	17.7	25.5	33.1	40.5	47.7	54.8	61.3	61.3	61.3	61.3	61.3	48.7	39.8	33.4	28.5	20.4				
45	1.26	3.10	5.78	10.8	15.5	20.1	29.0	37.6	45.9	54.1	62.2	70.1	73.2	73.2	73.2	73.2	58.1	47.5	39.8	34.0	24.3				

Note: 1. kW ratings when using one-pitch offset links are 65% of the above.
 2. Please contact a Tsubaki representative prior to use of kW ratings in the shaded area of the table.

Multi-strand factors

Number of chain strands	Two strands	Three strands	Four strands	Five strands	Six strands
Multi-strand factor	1.7	2.5	3.3	3.9	4.6

Lubrication systems and methods

Lubrication system	A I	A II	B	C
Method	Manual lubrication	Drip lubrication	Oil bath or slinger disc lubrication	Forced pump lubrication

Details on pg. 216

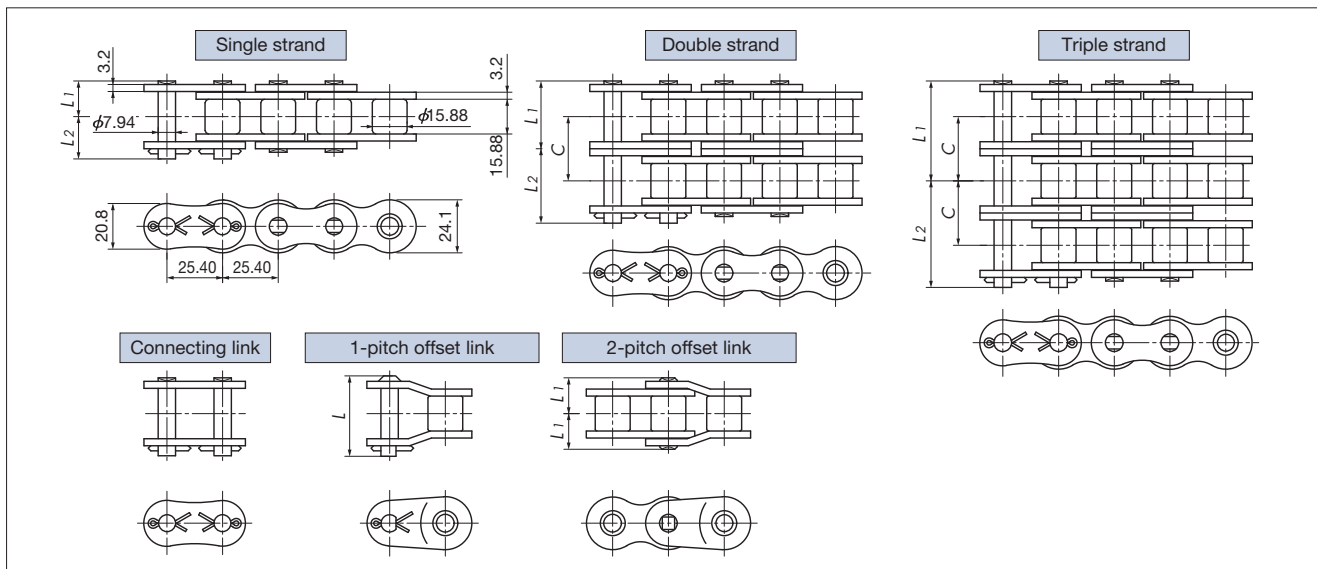
Model numbering example RS60 -1 -RP + 150L -MCJR

Size Number of strands Pin type Number of links End link

Note: Standard roller chains do not require series selection.

Standard Roller Chains and Sprockets RS Roller Chain RS80

(JIS identification no. 80)



Specifications

Size	Number of strands	Dimensions L ₁	Dimensions L ₂	Offset pin length L	Transverse pitch C	ASME standard min. tensile strength kN{kgf}	Min. tensile strength kN{kgf}	Max. allowable load kN{kgf}	Approx. mass kg/m
RS80	1	16.25	19.25	36.6	29.3	55.6 {5670}	71.6{7300}	14.7{1500}	2.66
	2	30.9	33.9	67.5		111.2{11340}	143 {14600}	25.0{2550}	5.27
	3	45.6	48.5	96.9		166.8{17009}	215 {21900}	36.8{3750}	7.89
	4	60.25	63.25	126.3		-	286 {29200}	48.5{4950}	10.50
	5	74.95	77.95	155.6		-	358 {36500}	57.4{5850}	13.11
	6	89.6	92.5	184.9		-	430 {43800}	67.7{6900}	15.73

Note: 1. Maximum allowable load when using a one-pitch offset link is 65% of the above.
2. Number of links per unit = 120. Items in bold are stocked in units.

RS80 Maximum kilowatt ratings table (kW ratings for single strand chain)

Small sprocket max rpm	Small sprocket max rpm																											
	10	25	50	100	150	200	300	400	500	600	700	800	900	1000	1100	1200	1400	1600	1800	2000	2200	2400	2700	3000	3400			
Lubrication Small sprocket no. of teeth	A I				A II				B								C											
	9	0.53	1.21	2.26	4.21	6.07	7.86	11.3	14.7	17.9	18.2	18.2	15.1	12.7	10.8	9.39	8.24	6.54	5.35	4.48	3.83	3.32	2.91	2.44	2.08	1.73		
10	0.59	1.36	2.53	4.72	6.80	8.81	12.7	16.4	20.1	20.4	20.4	17.7	14.9	12.7	11.0	9.65	7.66	6.27	5.25	4.48	3.89	3.41	2.86	2.44	2.02			
11	0.66	1.50	2.80	5.23	7.54	9.76	14.1	18.2	22.3	22.6	22.6	20.4	17.1	14.6	12.7	11.1	8.83	7.23	6.06	5.17	4.48	3.94	3.30	2.82	1.27			
12	0.72	1.65	3.08	5.75	8.28	10.7	15.4	20.0	24.5	24.9	24.9	23.3	19.5	16.7	14.5	12.7	10.1	8.24	6.90	5.89	5.11	4.48	3.76	3.21				
13	0.79	1.80	3.36	6.27	9.03	11.7	16.8	21.8	26.7	27.1	27.1	26.3	22.0	18.8	16.3	14.3	11.3	9.29	7.78	6.65	5.76	5.06	4.24	3.62				
14	0.85	1.95	3.64	6.79	9.78	12.7	18.2	23.6	28.9	29.4	29.4	24.6	21.0	18.2	16.0	12.7	10.4	8.70	7.43	6.44	5.65	4.74	4.04					
15	0.92	2.10	3.92	7.31	10.5	13.6	19.7	25.5	31.1	32.6	32.6	27.3	23.3	20.2	17.7	14.1	11.5	9.65	8.24	7.14	6.27	5.25	4.48					
16	0.99	2.25	4.20	7.84	11.3	14.6	21.1	27.3	33.4	35.9	35.9	30.1	25.7	22.2	19.5	15.5	12.7	10.6	9.08	7.87	6.90	5.79	4.94					
17	1.05	2.40	4.49	8.37	12.1	15.6	22.5	29.2	35.6	39.3	39.3	33.3	32.9	28.1	24.4	21.4	17.0	13.9	11.6	9.94	8.62	7.56	6.34	5.41				
18	1.12	2.56	4.77	8.91	12.8	16.6	23.9	31.0	37.9	42.8	42.8	36.3	35.9	30.6	26.5	23.3	18.5	15.1	12.7	10.8	9.39	8.24	6.90	5.89				
19	1.18	2.71	5.06	9.44	13.6	17.6	25.4	32.9	40.2	46.0	46.0	40.0	38.9	33.2	28.8	25.3	20.1	16.4	13.8	11.7	10.2	8.93	7.49	6.39				
20	1.24	2.87	5.35	9.98	14.4	18.6	26.8	34.8	42.5	48.7	48.7	42.0	40.0	35.9	31.1	27.3	21.7	17.7	14.9	12.7	11.0	9.65	8.09					
21	1.31	3.02	5.64	10.5	15.2	19.6	28.3	36.6	44.8	51.3	51.3	45.2	43.5	38.6	33.5	29.4	23.3	19.1	16.0	13.6	11.8	10.4	8.70					
22	1.37	3.18	5.93	11.1	15.9	20.6	29.7	38.5	47.1	53.9	53.9	48.5	46.5	41.4	35.9	31.5	25.0	20.4	17.1	14.6	12.7	11.1	9.33					
23	1.43	3.33	6.22	11.6	16.7	21.7	31.2	40.4	49.4	56.6	56.6	51.8	49.2	44.2	38.3	33.7	26.7	21.9	18.3	15.6	13.6	11.9	9.97					
24	1.49	3.49	6.51	12.2	17.5	22.7	32.7	42.3	51.7	59.3	59.3	55.2	52.7	47.2	40.9	35.9	28.5	23.3	19.5	16.7	14.5	12.7	10.6					
25	1.56	3.65	6.81	12.7	18.3	23.7	34.1	44.2	54.1	61.9	61.9	58.7	56.1	50.1	43.5	38.1	30.3	24.8	20.8	17.7	15.4	13.5	11.3					
26	1.62	3.80	7.10	13.2	19.1	24.7	35.6	46.1	56.4	64.6	64.6	62.3	59.2	53.2	46.1	40.5	32.1	26.3	22.0	18.8	16.3	14.3	12.0					
28	1.74	4.12	7.69	14.4	20.7	26.8	38.6	50.0	61.1	70.0	70.0	70.0	69.6	64.6	56.1	49.2	39.9	32.6	27.6	23.0	20.0	18.2	16.0					
30	1.87	4.44	8.29	15.5	22.3	28.9	41.6	53.8	65.8	77.2	77.2	77.2	77.2	72.2	65.9	57.1	50.1	39.8	32.6	27.3	23.3	20.2	17.7					
32	1.99	4.76	8.88	16.6	23.9	30.9	44.6	57.7	70.6	83.2	83.2	85.0	85.0	85.0	78.2	70.6	62.9	55.2	43.8	35.9	30.1	25.7	22.2	19.5				
35	2.18	5.24	9.79	18.3	26.3	34.1	49.1	63.6	77.7	91.6	91.6	97.3	97.3	97.3	91.6	83.2	72.0	63.2	50.1	41.0	34.4	29.4	25.5					
40	2.49	6.06	11.3	21.1	30.4	39.4	56.7	73.5	89.8	106	106	114	114	114	106	97.3	85.0	72.0	61.3	50.1	42.0	35.9	14.9					
45	2.80	6.88	12.8	24.0	34.5	44.7	64.4	83.4	102	120	120	130	130	130	121	105	92.1	73.1	59.8	50.1	40.4							

Note: 1. kW ratings when using one-pitch offset links are 65% of the above.
2. Please contact a Tsubaki representative prior to use of kW ratings in the shaded area of the table.

Multi-strand factors

Number of chain strands	Two strands	Three strands	Four strands	Five strands	Six strands
Multi-strand factor	1.7	2.5	3.3	3.9	4.6

Lubrication systems and methods

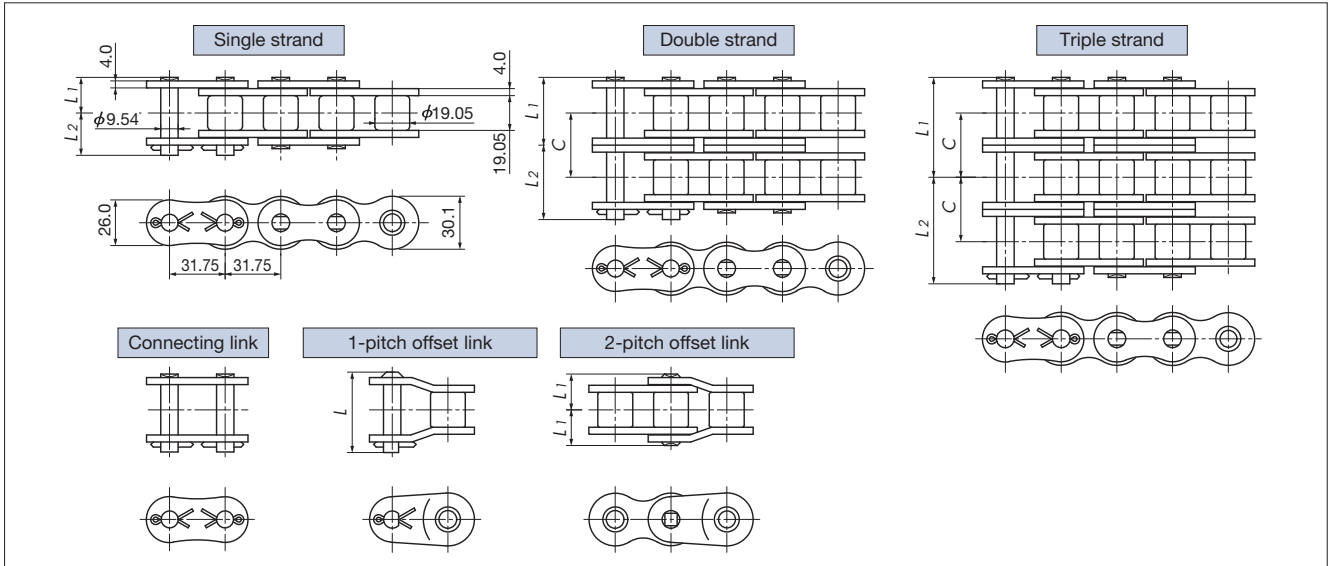
Lubrication system	A I	A II	B	C
Method	Manual lubrication	Drip lubrication	Oil bath or slinger disc lubrication	Forced pump lubrication

Details on pg. 216

Model numbering example RS80 -1 -RP + 110L -MWJR

Size Number of strands Pin type Number of links End link

Note: Standard roller chains do not require series selection.



Specifications

Size	Number of strands	Dimensions L ₁	Dimensions L ₂	Offset pin length L	Transverse pitch C	ASME standard min. tensile strength kN[kgf]	Min. tensile strength kN[kgf]	Max. allowable load kN[kgf]	Approx. mass kg/m
RS100	1	19.75	22.85	43.7	35.8	87.0 {8872}	107{10900}	22.6{2300}	3.99
	2	37.7	40.8	81.5		174.0{17744}	214{21800}	38.3{3910}	7.85
	3	55.65	58.75	117.3		261.0{26615}	321{32700}	56.4{5750}	11.77
	4	73.55	76.65	153.1		-	428{43600}	74.4{7590}	15.70
	5	91.5	94.6	188.9		-	534{54500}	88.0{8970}	19.53
	6	109.45	112.55	224.7		-	641{65400}	104 {10580}	23.48

Note: 1. Maximum allowable load when using a one-pitch offset link is 65% of the above.
 2. Number of links per unit = 96. Items in bold are stocked in units.

RS100 Maximum kilowatt ratings table (kW ratings for single strand chain)

Small sprocket max rpm	Small sprocket max rpm																																															
	10		25		50		100		150		200		300		400		500		600		700		800		900		1000		1100		1200		1300		1400		1600		1800		2000		2200		2400		2600	
	A I				A II				B				C																																			
9	1.02	2.33	4.34	8.10	11.7	15.1	21.8	26.4	26.4	26.4	22.1	18.1	15.2	12.9	11.2	9.85	8.73	7.82	6.40	5.36	4.58	3.97	3.48	3.09	1.14	2.61	4.86	9.07	13.1	16.9	24.4	29.6	29.6	29.6	25.9	21.2	17.8	15.2	13.1	11.5	10.2	9.15	7.49	6.28	5.36	4.65	4.08	3.62
11	1.27	2.89	5.39	10.1	14.5	18.8	27.0	32.8	32.8	32.8	29.9	24.4	20.5	17.5	15.2	13.3	11.8	10.6	8.64	7.24	6.18	5.36	4.70	0.96	1.39	3.17	5.92	11.0	15.9	20.6	29.7	36.1	36.1	36.1	34.0	27.9	23.3	19.9	17.3	15.2	13.4	12.0	9.85	8.25	7.05	6.11	5.36	
12	1.39	3.17	5.92	11.0	15.9	20.6	29.7	36.1	36.1	36.1	34.0	27.9	23.3	19.9	17.3	15.2	13.4	12.0	9.85	8.25	7.05	6.11	5.36	1.52	3.46	6.45	12.0	17.3	22.5	32.4	39.3	39.3	39.3	38.4	31.4	26.3	22.5	19.5	17.1	15.2	13.6	11.1	9.31	7.95	6.89	6.04		
13	1.52	3.46	6.45	12.0	17.3	22.5	32.4	39.3	39.3	39.3	38.4	31.4	26.3	22.5	19.5	17.1	15.2	13.6	11.1	9.31	7.95	6.89	6.04	1.64	3.75	6.99	13.0	18.8	24.3	35.1	42.9	42.9	42.9	42.9	35.1	29.4	25.1	21.8	19.1	16.9	15.2	12.4	10.4	8.88	7.70	6.76		
14	1.64	3.75	6.99	13.0	18.8	24.3	35.1	42.9	42.9	42.9	42.9	35.1	29.4	25.1	21.8	19.1	16.9	15.2	12.4	10.4	8.88	7.70	6.76	1.77	4.04	7.53	14.1	20.2	26.2	37.8	47.6	47.6	47.6	47.6	38.9	32.6	27.9	24.1	21.2	18.8	16.8	13.8	11.5	9.85	8.54	7.49		
15	1.77	4.04	7.53	14.1	20.2	26.2	37.8	47.6	47.6	47.6	47.6	38.9	32.6	27.9	24.1	21.2	18.8	16.8	13.8	11.5	9.85	8.54	7.49	1.90	4.33	8.08	15.1	21.7	28.1	40.5	52.4	52.4	52.4	52.4	42.9	35.9	30.7	26.6	23.3	20.7	18.5	15.2	12.7	10.8	9.40	8.25		
16	1.90	4.33	8.08	15.1	21.7	28.1	40.5	52.4	52.4	52.4	52.4	42.9	35.9	30.7	26.6	23.3	20.7	18.5	15.2	12.7	10.8	9.40	8.25	2.03	4.62	8.62	16.1	23.2	30.0	43.3	56.0	57.4	57.4	57.4	47.0	39.4	33.6	29.1	25.6	22.7	20.3	16.6	13.9	11.9	10.3			
17	2.03	4.62	8.62	16.1	23.2	30.0	43.3	56.0	57.4	57.4	57.4	47.0	39.4	33.6	29.1	25.6	22.7	20.3	16.6	13.9	11.9	10.3	2.15	4.92	9.17	17.1	24.7	31.9	46.0	59.6	62.5	62.5	62.5	51.2	42.9	36.6	31.7	27.9	24.7	22.1	18.1	15.2	12.9	11.2				
18	2.15	4.92	9.17	17.1	24.7	31.9	46.0	59.6	62.5	62.5	62.5	51.2	42.9	36.6	31.7	27.9	24.7	22.1	18.1	15.2	12.9	11.2	2.27	5.21	9.72	18.1	26.1	33.9	48.8	63.2	67.8	67.8	67.8	67.8	55.5	46.5	39.7	34.4	30.2	26.8	24.0	19.6	16.4	14.0	12.2			
19	2.27	5.21	9.72	18.1	26.1	33.9	48.8	63.2	67.8	67.8	67.8	67.8	55.5	46.5	39.7	34.4	30.2	26.8	24.0	19.6	16.4	14.0	12.2	2.39	5.51	10.3	19.2	27.6	35.8	51.5	66.8	71.9	71.9	71.9	59.9	50.2	42.9	37.2	32.6	28.9	25.9	21.2	17.8	15.2	13.1			
20	2.39	5.51	10.3	19.2	27.6	35.8	51.5	66.8	71.9	71.9	71.9	59.9	50.2	42.9	37.2	32.6	28.9	25.9	21.2	17.8	15.2	13.1	2.51	5.81	10.8	20.2	29.1	37.7	54.3	70.4	75.8	75.8	75.8	64.5	54.0	46.1	40.0	35.1	31.1	27.9	22.8	19.1	16.3	14.1				
21	2.51	5.81	10.8	20.2	29.1	37.7	54.3	70.4	75.8	75.8	75.8	64.5	54.0	46.1	40.0	35.1	31.1	27.9	22.8	19.1	16.3	14.1	2.63	6.10	11.4	21.3	30.6	39.7	57.1	74.0	79.7	79.7	79.7	69.1	57.9	49.5	42.9	37.6	33.4	29.9	24.4	20.5	17.5	15.2				
22	2.63	6.10	11.4	21.3	30.6	39.7	57.1	74.0	79.7	79.7	79.7	69.1	57.9	49.5	42.9	37.6	33.4	29.9	24.4	20.5	17.5	15.2	2.75	6.40	12.0	22.3	32.1	41.6	59.9	77.7	83.7	83.7	83.7	73.9	61.9	52.9	45.8	40.2	35.7	31.9	26.1	21.9	18.7	5.77				
23	2.75	6.40	12.0	22.3	32.1	41.6	59.9	77.7	83.7	83.7	83.7	73.9	61.9	52.9	45.8	40.2	35.7	31.9	26.1	21.9	18.7	5.77	2.89	6.71	12.5	23.4	33.6	43.6	62.8	81.3	87.6	87.6	87.6	78.8	66.0	56.4	48.9	42.9	38.0	34.0	27.9	23.3	19.9					
24	2.89	6.71	12.5	23.4	33.6	43.6	62.8	81.3	87.6	87.6	87.6	78.8	66.0	56.4	48.9	42.9	38.0	34.0	27.9	23.3	19.9	2.99	7.01	13.1	24.4	35.2	45.5	65.6	85.0	91.5	91.5	91.5	83.8	70.2	59.9	51.9	45.6	40.4	36.2	29.6	24.8	21.2						
25	2.99	7.01	13.1	24.4	35.2	45.5	65.6	85.0	91.5	91.5	91.5	83.8	70.2	59.9	51.9	45.6	40.4	36.2	29.6	24.8	21.2	3.11	7.31	13.6	25.5	36.7	47.5	68.4	88.7	95.5	95.5	95.5	88.8	74.4	63.6	55.1	48.4	42.9	38.4	31.4	26.3	22.5						
26	3.11	7.31	13.6	25.5	36.7	47.5	68.4	88.7	95.5	95.5	95.5	88.8	74.4	63.6	55.1	48.4	42.9	38.4	31.4	26.3	22.5	3.35	7.92	14.8	27.6	39.7	51.5	74.1	96.0	103	103	103	99.3	83.2	71.0	61.6	54.0	47.9	42.9	35.1	29.4	25.1						
28	3.35	7.92	14.8	27.6	39.7	51.5	74.1	96.0	103	103	103	99.3	83.2	71.0	61.6	54.0	47.9	42.9	35.1	29.4	25.1	3.59	8.53	15.9	29.7	42.8	55.5	79.9	103	111	111	111	110	92.3	78.8	68.3	59.9	53.2	47.6	38.9	32.6	7.50						
30	3.59	8.53	15.9	29.7	42.8	55.5	79.9	103	111	111	111	110	92.3	78.8	68.3	59.9	53.2	47.6	38.9	32.6	7.50	3.83	9.15	17.1	31.9	45.9	59.5	85.6	111	121	121	121	121	102	86.8	75.2	66.0	58.6	52.4	42.9	33.7							
32	3.83	9.15	17.1	31.9	45.9	59.5	85.6	111	121	121	121	121	102	86.8	75.2	66.0	58.6	52.4	42.9	33.7	3.99	9.51	17.8	33.1	47.5	61.5	88.3	115	125	125	125	125	105	92.3	80.6	71.0	62.8	56.2	47.6	39.9								
35	3.99	9.51	17.8	33.1	47.5	61.5	88.3	115	125	125	125	125	105	92.3	80.6	71.0	62.8	56.2	47.6	39.9	4.19	10.1	18.8	35.1	50.6	65.5	94.3	122	139	139	139	139	116	99.3	86.1	75.5	67.0	59.9	49.1	41.1								
40	4.19	10.1	18.8	35.1	50.6	65.5	94.3	122	139	139	139	139	116	99.3	86.1	75.5	67.0	59.9	49.1	41.1	4.78	11.6	21.7	40.5	58.4	75.7	109	141	170	170	170	170	142	121	105	92.3	81.8	73.2	59.9									
45	4.78	11.6	21.7	40.5	58.4	75.7	109	141	170	170	170	170	142	121	105	92.3	81.8	73.2	59.9	5.38	13.2	24.7	46.0	66.3	85.9	124	160	196	196	196	196	170	145	125	110	97.6	87.4	33.8										

Note: 1. kW ratings when using one-pitch offset links are 65% of the above.
 2. Please contact a Tsubaki representative prior to use of kW ratings in the shaded area of the table.

Multi-strand factors

Number of chain strands	Two strands	Three strands	Four strands	Five strands	Six strands
Multi-strand factor	1.7	2.5	3.3	3.9	4.6

Lubrication systems and methods

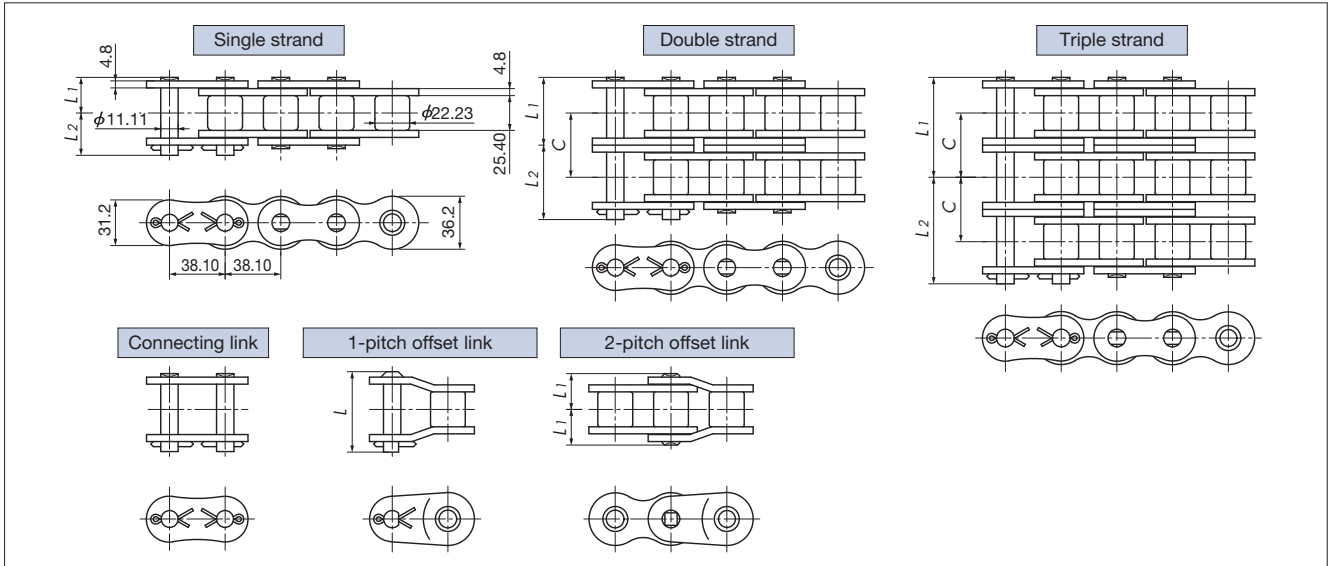
Lubrication system	A I	A II	B	C
Method	Manual lubrication	Drip lubrication	Oil bath or slinger disc lubrication	Forced pump lubrication

Details on pg. 216

Model numbering example RS100 -1 -RP + 86L -MWJR

Size Number of strands Pin type Number of links End link

Note: Standard roller chains do not require series selection.



Specifications

Size	Number of strands	Dimensions L_1	Dimensions L_2	Offset pin length L	Transverse pitch C	ASME standard min. tensile strength kN{kgf}	Min. tensile strength kN{kgf}	Max. allowable load kN{kgf}	Approx. mass kg/m
RS120	1	24.9	28.9	55.0	45.4	125.0{12747}	148{15100}	30.4{3100}	5.93
	2	47.6	51.6	103.2		250.0{25493}	296{30200}	51.7{5270}	11.70
	3	70.4	74.4	148.6		375.0{38240}	444{45300}	76.0{7750}	17.53
	4	93.1	97.1	194.0		-	592{60400}	100 {10230}	23.36
	5	115.85	119.85	239.4		-	740{75500}	119 {12090}	29.16
	6	138.55	142.55	284.8		-	888{90600}	140 {14260}	34.96

Note: 1. Maximum allowable load when using a one-pitch offset link is 65% of the above.
 2. Number of links per unit = 80. Items in bold are stocked in units.

RS120 Maximum kilowatt ratings table (kW ratings for single strand chain)

Small sprocket max rpm	Small sprocket max rpm																																																																																																																																																																																																																																																																																																																																																																																																																																																																																																																																							
	10		25		50		100		150		200		300		400		500		600		700		800		900		1000		1100		1200		1300		1400		1500		1600		1700		1800		1900		2000		2100																																																																																																																																																																																																																																																																																																																																																																																																																																																																																							
	A I				A II				B				C																																																																																																																																																																																																																																																																																																																																																																																																																																																																																																																											
9	1.65	3.75	7.00	13.1	18.8	24.4	35.1	41.1	41.1	32.2	25.6	20.9	17.5	15.0	13.0	11.4	10.1	9.04	8.15	7.40	6.76	6.20	5.72	5.30	4.92	2.86	6.52	12.2	22.7	32.7	42.3	61.0	71.3	69.3	55.0	45.0	37.7	32.2	27.9	24.5	21.7	19.5	17.5	15.9	14.5	13.3	12.3	2.04	4.66	8.70	16.2	23.4	30.3	43.6	51.0	51.0	43.5	34.6	28.3	23.7	20.2	17.5	15.4	13.7	12.2	11.0	10.0	9.13	8.38	7.73	7.16	2.24	5.12	9.56	17.8	25.7	33.3	47.9	56.1	56.1	49.6	39.4	32.2	27.0	23.1	20.0	17.5	15.6	13.9	12.6	11.4	10.4	9.55	8.81	8.15	2.45	5.58	10.4	19.4	28.0	36.3	52.3	61.1	61.1	55.9	44.4	36.3	30.5	26.0	22.5	19.8	17.5	15.7	14.2	12.8	11.7	10.8	9.93	9.19	2.65	6.05	11.3	21.1	30.3	39.3	56.6	66.2	66.2	62.5	49.6	40.6	34.0	29.1	25.2	22.1	19.6	17.5	15.8	14.4	13.1	12.0	11.1	6.67	2.86	6.52	12.2	22.7	32.7	42.3	61.0	71.3	71.3	69.3	55.0	45.0	37.7	32.2	27.9	24.5	21.7	19.5	17.5	15.9	14.5	13.3	12.3	3.06	6.99	13.0	24.3	35.0	45.4	65.4	76.5	76.5	76.4	60.6	49.6	41.6	35.5	30.8	27.0	24.0	21.4	19.3	17.5	16.0	14.7	13.6	3.27	7.46	13.9	26.0	37.4	48.5	69.8	83.7	83.7	83.7	66.4	54.3	45.5	38.9	33.7	29.6	26.2	23.5	21.2	19.2	17.5	16.1	14.8	3.47	7.93	14.8	27.6	39.8	51.6	74.3	91.2	91.2	91.2	72.3	59.2	49.6	42.4	36.7	32.2	28.6	25.6	23.1	20.9	19.1	17.5	8.43	3.67	8.41	15.7	29.3	42.2	54.7	78.7	98.9	98.9	98.9	78.4	64.2	53.8	45.9	39.8	35.0	31.0	27.7	25.0	22.7	20.7	19.0	3.86	8.89	16.6	31.0	44.6	57.8	83.2	107	107	107	84.7	69.3	58.1	49.6	43.0	37.7	33.5	30.0	27.0	24.5	22.4	20.5	4.05	9.37	17.5	32.6	47.0	60.9	87.7	114	115	115	91.2	74.6	62.5	53.4	46.3	40.6	36.0	32.2	29.1	26.4	24.1	22.1	4.25	9.85	18.4	34.3	49.4	64.0	92.2	119	123	123	97.7	80.0	67.0	57.2	49.6	43.5	38.6	34.6	31.2	28.3	25.8	23.4	4.44	10.3	19.3	36.0	51.9	67.2	96.8	125	132	132	104	85.5	71.7	61.2	53.0	46.6	41.3	36.9	33.3	30.2	27.6	4.63	10.8	20.2	37.7	54.3	70.3	101	131	140	140	111	91.2	76.4	65.2	56.5	49.6	44.0	39.4	35.5	32.2	29.4	4.83	11.3	21.1	39.4	56.7	73.5	106	137	146	146	118	96.9	81.2	69.3	60.1	52.8	46.8	41.9	37.7	34.3	30.8	5.02	11.8	22.0	41.1	59.2	76.7	110	143	152	152	126	103	86.1	73.5	63.7	55.9	49.6	44.4	40.0	36.3	19.8	5.41	12.8	23.9	44.5	64.1	83.1	120	155	165	165	140	115	96.3	82.2	71.2	62.5	55.5	49.6	44.7	40.6	5.79	13.8	25.7	48.0	69.1	89.5	129	167	178	178	156	127	107	91.2	79.0	69.3	61.5	55.0	49.6	31.6	6.18	14.8	27.6	51.4	74.1	96.0	138	179	191	191	171	140	118	100	87.0	76.4	67.8	60.6	54.7	6.76	16.3	30.4	56.7	81.6	106	152	197	210	210	196	161	135	115	99.6	87.4	77.5	69.3	35.6	7.72	18.8	35.1	65.4	94.3	122	176	228	242	242	240	196	164	140	122	107	94.7	44.4	8.69	21.3	39.8	74.3	107	139	200	259	286	286	286	234	196	167	145	127	59.7

Note: 1. kW ratings when using one-pitch offset links are 65% of the above.
 2. Please contact a Tsubaki representative prior to use of kW ratings in the shaded area of the table.

Multi-strand factors

Number of chain strands	Two strands	Three strands	Four strands	Five strands	Six strands
Multi-strand factor	1.7	2.5	3.3	3.9	4.6

Lubrication systems and methods

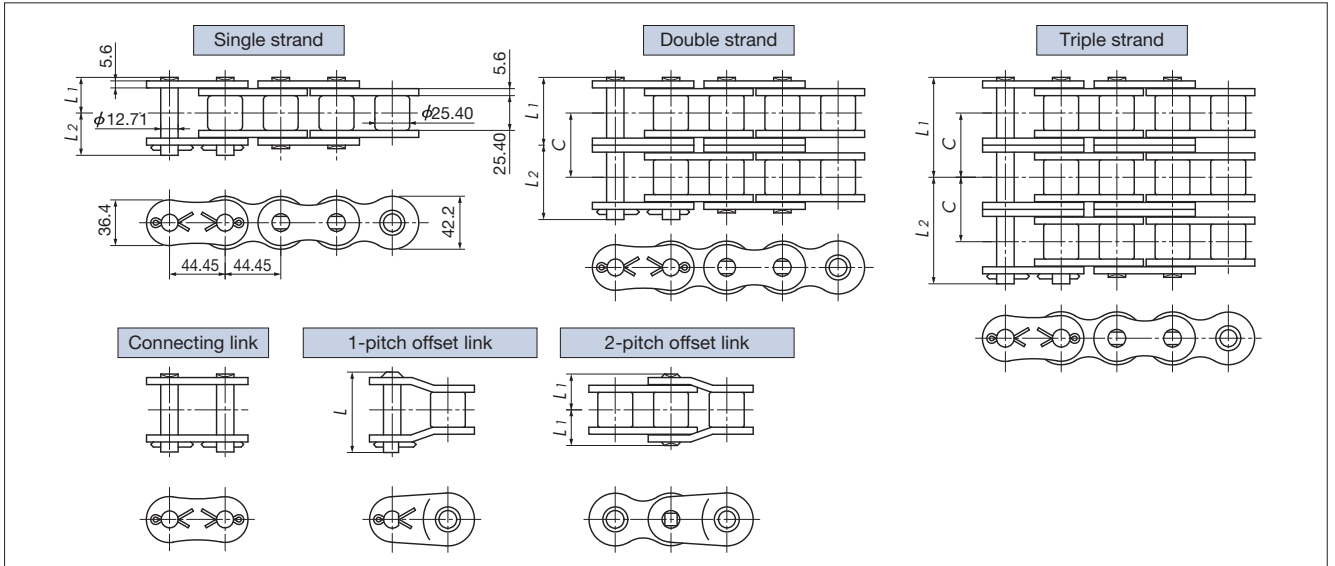
Lubrication system	A I	A II	B	C
Method	Manual lubrication	Drip lubrication	Oil bath or slinger disc lubrication	Forced pump lubrication

Details on pg. 216

Model numbering example RS120 -1 -RP + 70L -MWJR

Size Number of strands Pin type Number of links End link

Note: Standard roller chains do not require series selection.



Specifications

Size	Number of strands	Dimensions L_1	Dimensions L_2	Offset pin length L	Transverse pitch C	ASME standard min. tensile strength kN{kgf}	Min. tensile strength kN{kgf}	Max. allowable load kN{kgf}	Approx. mass kg/m
RS140	1	26.9	31.7	59.5	48.9	170.0{17336}	193 {19700}	40.2{4100}	7.49
	2	51.35	56.15	112.3		340.0{34671}	386 {39400}	68.4{6970}	14.83
	3	75.85	80.75	161.3		510.0{52006}	580 {59100}	101 {10250}	22.20
	4	100.3	105.2	210.2		-	773 {78800}	133 {13530}	28.52
	5	124.8	129.6	259.1		-	966 {98500}	157 {15990}	36.97
	6	149.3	154.2	308.0		-	1160{118200}	185 {18860}	44.30

Note: 1. Maximum allowable load when using a one-pitch offset link is 65% of the above.
 2. Number of links per unit = 68. Items in bold are stocked in units.

RS140 Maximum kilowatt ratings table (kW ratings for single strand chain)

Small sprocket max rpm	Small sprocket max rpm																								
	10	25	50	100	150	200	250	300	350	400	450	500	550	600	700	800	900	1000	1100	1200	1300	1400	1500	1600	1700
Lubrication no. of teeth	A I			A II			B										C								
	9	10	11	12	13	14	15	16	17	18	19	20	21	22	23	24	25	26	28	30	32	35	40	45	
10	2.54	5.79	10.8	20.2	29.0	37.6	46.0	54.2	56.1	56.1	56.1	47.9	41.5	36.5	28.9	23.7	19.8	16.9	14.7	12.9	11.4	10.2	9.22	8.37	7.64
11	2.84	6.49	12.1	22.6	32.5	42.2	51.5	60.7	65.6	65.6	65.6	56.1	48.7	42.7	33.9	27.7	23.2	19.8	17.2	15.1	13.4	12.0	10.8	9.81	
12	3.15	7.19	13.4	25.0	36.1	46.7	57.1	67.3	72.7	72.7	72.7	64.8	56.1	49.3	39.1	32.0	26.8	22.9	19.8	17.4	15.4	13.8	12.5	11.3	
13	3.46	7.90	14.7	27.5	39.6	51.3	62.7	73.9	79.9	79.9	79.9	73.8	64.0	56.1	44.5	36.5	30.6	26.1	22.6	19.8	17.6	15.7	14.2	12.9	
14	3.78	8.61	16.1	30.0	43.2	56.0	68.4	80.6	87.1	87.1	87.1	83.2	72.1	63.3	50.2	41.1	34.5	29.4	25.5	22.4	19.8	17.8	16.0	14.5	
15	4.09	9.33	17.4	32.5	46.8	60.6	74.1	87.3	94.4	94.4	94.4	93.0	80.6	70.7	56.1	45.9	38.5	32.9	28.5	25.0	22.2	19.8	17.9	16.2	
16	4.41	10.1	18.8	35.0	50.4	65.3	79.8	94.1	103	103	103	89.4	78.4	62.3	51.0	42.7	36.5	31.6	27.7	24.6	22.0	19.8			
17	4.72	10.8	20.1	37.5	54.1	70.0	85.6	101	114	114	114	114	98.5	86.4	68.6	56.1	47.0	40.2	34.8	30.6	27.1	24.2	21.9		
18	5.04	11.5	21.5	40.1	57.7	74.8	91.4	108	124	124	124	124	108	94.6	75.1	61.5	51.5	44.0	38.1	33.5	29.7	26.6	23.9		
19	5.36	12.2	22.8	42.6	61.4	79.5	97.2	115	132	132	132	136	136	117	103	81.8	67.0	56.1	47.9	41.5	36.5	32.3	28.9	26.1	
20	5.66	13.0	24.2	45.2	65.1	84.3	103	121	140	144	144	144	127	112	88.7	72.6	60.9	52.0	45.1	39.5	35.1	31.4	28.3		
21	5.96	13.7	25.6	47.8	68.8	89.1	109	128	147	152	152	152	138	121	95.8	78.4	65.7	56.1	48.7	42.7	37.9	33.9			
22	6.25	14.5	27.0	50.3	72.5	93.9	115	135	155	161	161	161	148	130	103	84.4	70.7	60.4	52.3	45.9	40.7	36.5			
23	6.55	15.2	28.4	52.9	76.3	98.8	121	142	163	169	169	169	159	139	111	90.5	75.8	64.8	56.1	49.3	43.7	39.1			
24	6.85	15.9	29.8	55.5	80.0	104	127	149	172	177	177	177	170	149	118	96.7	81.1	69.2	60.0	52.7	46.7	41.8			
25	7.15	16.7	31.2	58.2	83.8	109	133	156	180	186	186	186	181	159	126	103	86.4	73.8	64.0	56.1	49.8	44.5			
26	7.45	17.5	32.6	60.8	87.5	113	139	163	188	194	194	194	192	169	134	110	91.9	78.4	68.0	59.7	52.9	47.4			
28	7.74	18.2	34.0	63.4	91.3	118	145	170	196	204	204	204	204	179	142	116	97.4	83.2	72.1	63.3	56.1				
30	8.34	19.7	36.8	68.7	98.9	128	157	185	212	228	228	228	228	200	159	130	109	93.0	80.6	70.7	62.7				
32	8.93	21.3	39.7	74.0	107	138	169	199	229	253	253	253	253	222	176	144	121	103	89.4	78.4	69.6				
35	9.53	22.8	42.5	79.3	114	148	181	213	245	276	276	276	276	244	194	159	133	114	98.5	86.4					
40	10.4	25.1	46.8	87.4	126	163	199	235	270	304	304	304	304	280	222	182	152	130	113	98.9					
45	11.9	29.0	54.1	101	145	188	230	271	312	351	351	351	351	342	271	222	186	159	133						
	13.4	32.9	61.4	115	165	214	262	308	354	399	408	408	408	408	323	265	222	177	69.2						

Note: 1. kW ratings when using one-pitch offset links are 65% of the above.
 2. Please contact a Tsubaki representative prior to use of kW ratings in the shaded area of the table.

Multi-strand factors

Number of chain strands	Two strands	Three strands	Four strands	Five strands	Six strands
Multi-strand factor	1.7	2.5	3.3	3.9	4.6

Lubrication systems and methods

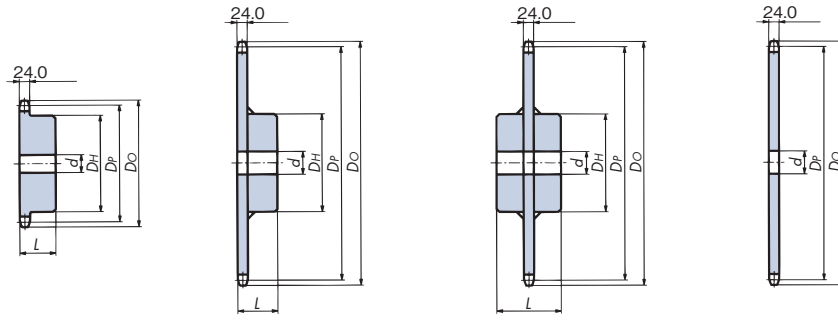
Lubrication system	A I	A II	B	C
Method	Manual lubrication	Drip lubrication	Oil bath or slinger disc lubrication	Forced pump lubrication

Details on pg. 216

Model numbering example RS140 -1 -RP + 58L -MWJR

Size Number of strands Pin type Number of links End link

Note: Standard roller chains do not require series selection.

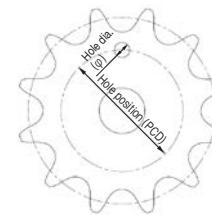


Mechanically machined 1B type Welded construction 1C type 1A type

Number of teeth	Pitch circle dia. D_p	Outer dia. (D_o)	1B type						1C type						1A type			Number of teeth			
			Bore dia. d		Hub		Approx. mass kg	Material	Bore dia. d		Hub		Approx. mass kg	Material	Pilot bore dia.	Approx. mass kg	Material				
			Pilot bore	Max.	Dia. D_H	Length L			Pilot bore	Max.	Dia. D_H	Length L									
10	143.84	163	28	60	91	56	4.1	Mechanically machined: machine-structural carbon steel									28	2.6	Machine-structural carbon steel	10	
11	157.77	178	33	73	106	56	5.1											33		3.2	11
12	171.74	193	33	80	117	56	6.3											33		3.8	12
13	185.74	207	33	80	117	63	7.5											33		4.5	13
14	199.76	221	33	89	127	63	8.9											33		5.3	14
15	213.79	236	33	89	127	63	9.7											33		6.1	15
16	227.84	250	33	89	127	63	10.6											33		7.0	16
17	241.91	264	33	89	127	63	11.5											33		7.9	17
18	255.98	279	33	89	127	63	12.5											33		9.0	18
19	270.06	293	33	95	137	71	15.1											33		10.0	19
20	284.14	307	33	95	137	71	16.2											33		11.1	20
21	298.24	322	33	95	137	71	17.4											33		12.3	21
22	312.34	336	33	103	147	71	19.6			33	103	147	115	25.1				33		13.6	22
23	326.44	350	33	103	147	71	21.0			33	103	147	115	26.4				33		14.8	23
24	340.54	364	33	103	147	71	22.3			33	103	147	115	27.7				33		16.2	24
25	354.65	379	38	103	147	80	24.7			38	103	147	115	28.9				38		17.6	25
26	368.77	393	38	103	147	80	26.0			38	103	147	115	30.1				38		18.8	26
27	382.88	407	38	103	147	80	27.6			38	103	147	115	31.7				38		20.3	27
28	397.00	421	38	103	147	80	29.2			38	103	147	115	33.2				38		21.9	28
30	425.24	450	38	103	147	80	32.6			38	103	147	115	36.6				38		25.3	30
32	453.49	478	38	103	147	80	36.3		38	103	147	115	40.2				38	28.9	32		
34	481.75	506	38	103	147	80	40.1		38	103	147	115	44.0				38	32.7	34		
35	495.88	521	38	110	157	90	44.6		38	110	157	125	49.2				38	34.7	35		
36	510.01	535	38	110	157	90	46.7		38	110	157	125	51.2				38	36.8	36		
38	538.27	563	38	110	157	90	51.1		38	110	157	125	55.5				38	41.1	38		
40	566.54	591	38	110	157	90	55.6		38	118	167	130	62.9				38	45.6	40		
42	594.81	620	38	118	167	94	62.3		38	118	167	130	67.6				38	50.4	42		
45	637.22	662	38	118	167	94	70.0		38	118	167	130	75.2				38	58.0	45		
48	679.63	705	38	118	167	94	78.3		38	118	167	130	83.4				38	66.1	48		
50	707.91	733	38	118	167	94	84.0		38	118	167	130	89.1				38	71.8	50		
54	764.47	790	38	118	167	94	96.7		38	118	167	130	101.2				38	84.0	54		
60	849.32	875	38	118	167	94	116.6		38	118	167	155	125.2				38	103.9	60		

- Note: 1. Maximum bore diameters shown are standard figures. Determine bore diameter and key bearing pressure based on general mechanical design.
 2. Models in the dimensional chart whose approximate mass is in bold font have one hanging hole. See the diagram on the right for more information.
 3. Models in shaded areas have hardened teeth.
 4. Models with unhardened teeth as standard can be manufactured with hardened teeth (quick delivery).
 5. Models with dimensions in thin font are made-to-order. All other items are stocked.

Hanging hole dimensions



The phase relationship between the hanging hole and teeth may vary.

No. of teeth	1B/1C/1A bore dia. ($\phi 40$) Hole position (PCD)
26	263
27	277
28	291
30	319
32	348
34	376
35	390
36	404
38	432
40	461
42	489
45	531
48	574
50	602
54	659
60	743

Model numbering example

RS140 -1 B 25T

Size Number of teeth Hub type
 Number of strands

Hardened teeth model numbering example

RS140 -1 B 30T Q

Size Number of teeth Hardened teeth
 Number of strands Hub type

Standard Roller Chains and Sprockets RS Sprocket RS160

Before Use

Standard Roller Chains

Lube-Free Roller Chains

Heavy Duty Roller Chains

Corrosion Resistant Roller Chains

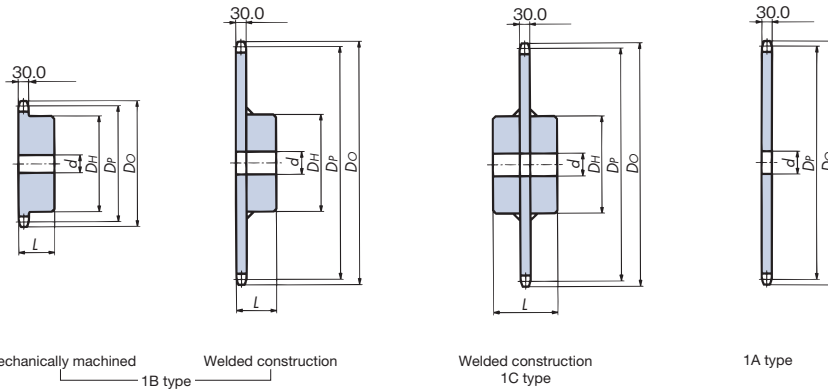
Specialty Roller Chains

Sprockets

Pin Gear Drives

Accessories

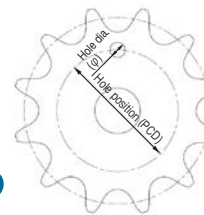
Handling



Number of teeth	Pitch circle dia. D_p	Outer dia. (D_o)	1B type						1C type						1A type			Number of teeth		
			Bore dia. d		Hub		Approx. mass kg	Material	Bore dia. d		Hub		Approx. mass kg	Material	Pilot bore dia.	Approx. mass kg	Material			
			Pilot bore	Max.	Dia. D_H	Length L			Pilot bore	Max.	Dia. D_H	Length L								
10	164.39	187	33	70	105	63	6.3	Mechanically machined: machine-structural carbon steel								33	4.3	Machine-structural carbon steel	10	
11	180.31	203	33	80	117	63	7.8		11							33	5.3		11	
12	196.28	220	33	89	127	63	9.4		12							33	6.3		12	
13	212.27	237	33	95	137	71	11.9		13							33	7.5		13	
14	228.29	253	33	95	137	71	13.2		14							33	8.8		14	
15	244.33	269	33	95	137	71	14.5		15							33	10.1		15	
16	260.39	286	33	103	147	71	16.7		16							33	11.6		16	
17	276.46	302	33	103	147	71	18.2		17							33	13.1		17	
18	292.55	319	33	103	147	71	19.9		18							33	14.8		18	
19	308.64	335	33	103	147	71	21.6		19							33	16.5		19	
20	324.74	351	33	103	147	71	23.4		20							33	18.3		20	
21	340.84	368	33	103	147	71	25.4		21							33	20.3		21	
22	356.96	384	38	118	167	80	30.6		22	38	118	167	125	37.8	38	22.2	38		22.2	22
23	373.07	400	38	118	167	80	32.4		23	38	118	167	125	39.6	38	24.0	38		24.0	23
24	389.19	416	38	118	167	80	34.6		24	38	118	167	125	41.8	38	26.2	38		26.2	24
25	405.32	433	38	118	167	80	37.0		25	38	118	167	125	44.2	38	28.6	38		28.6	25
26	421.45	449	38	118	167	80	39.5		26	38	118	167	125	46.6	38	31.0	38		31.0	26
27	437.58	465	38	118	167	80	42.0		27	38	118	167	125	49.1	38	33.5	38		33.5	27
28	453.72	481	38	118	167	80	44.6		28	38	118	167	125	51.7	38	36.1	38		36.1	28
30	485.99	514	38	118	167	100	53.5	30	38	118	167	125	57.2	38	41.6	38	41.6	30		
32	518.28	546	38	118	167	100	59.5	32	38	118	167	125	63.0	38	47.4	38	47.4	32		
34	550.57	579	38	118	167	100	65.8	34	38	118	167	125	69.3	38	53.7	38	53.7	34		
35	566.72	595	38	118	167	100	69.2	35	38	118	167	135	74.2	38	57.0	38	57.0	35		
36	582.86	611	38	118	167	100	72.6	36	38	118	167	135	77.6	38	60.3	38	60.3	36		
38	615.17	644	38	118	167	100	80.1	38	38	118	167	135	84.6	38	67.4	38	67.4	38		
40	647.47	676	38	132	187	121	94.4	40	38	132	187	150	99.7	38	74.8	38	74.8	40		
42	679.78	708	38	132	187	121	102.2	42	38	132	187	150	107.5	38	82.6	38	82.6	42		
45	728.25	757	38	132	187	121	115.2	45	38	132	187	150	119.9	38	95.0	38	95.0	45		
48	776.72	806	38	132	187	121	128.5	48	38	132	187	150	133.2	38	108.4	38	108.4	48		
50	809.04	838	38	132	187	121	137.9	50	38	132	187	150	142.5	38	117.7	38	117.7	50		
54	873.68	903	38	132	187	121	157.7	54	38	132	187	150	162.4	38	137.5	38	137.5	54		
60	970.65	1000	38	132	187	121	190.7	60	38	132	187	160	197.0	38	170.1	38	170.1	60		

- Note: 1. Maximum bore diameters shown are standard figures. Determine bore diameter and key bearing pressure based on general mechanical design.
 2. Models in the dimensional chart whose approximate mass is in bold font have one hanging hole. See the diagram on the right for more information.
 3. Models in shaded areas have hardened teeth.
 4. Models with unhardened teeth as standard can be manufactured with hardened teeth (quick delivery).
 5. Models with dimensions in thin font are made-to-order. All other items are stocked.

Hanging hole dimensions



No. of teeth	1B/1C/1A bore dia. (φ40) Hole position (PCD)	No. of teeth	1B/1C/1A bore dia. (φ40) Hole position (PCD)
23	261	36	471
24	277	38	503
25	293	40	535
26	309	42	568
27	326	45	616
28	342	48	665
30	374	50	697
32	406	54	762
34	438	60	859
35	455		

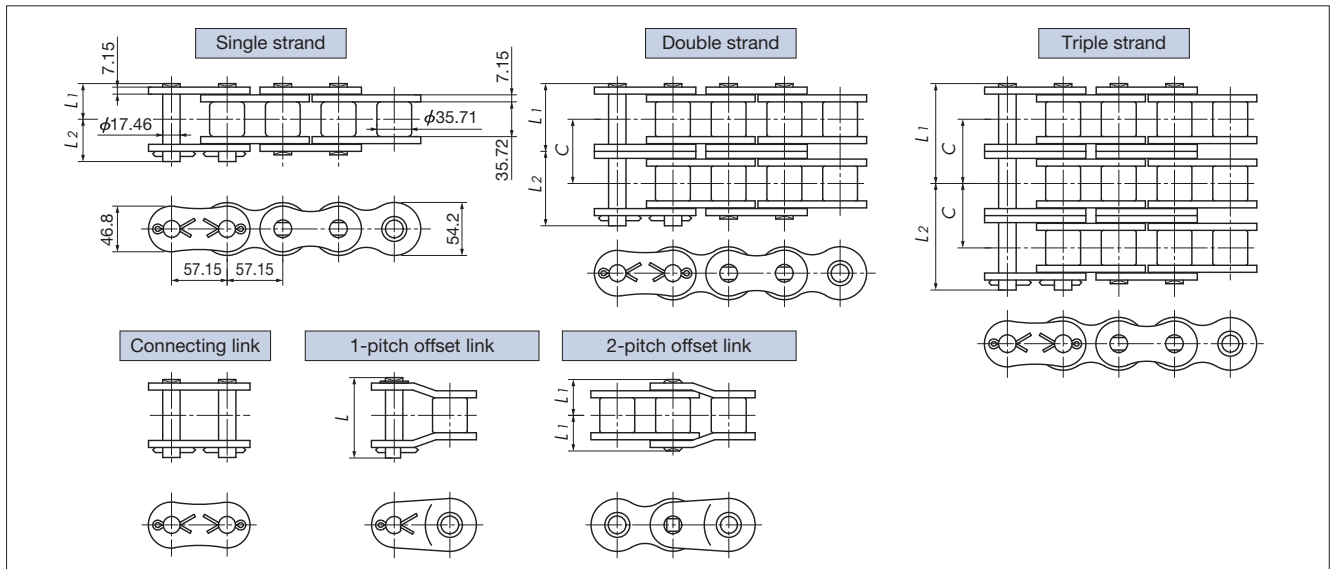
Model numbering example

RS160 -1 B 25T
 Size: RS160
 Number of strands: -1
 Number of teeth: B
 Hub type: 25T

Hardened teeth model numbering example

RS160 -1 B 30T Q
 Size: RS160
 Number of strands: -1
 Number of teeth: B
 Hub type: 30T
 Hardened teeth: Q

The phase relationship between the hanging hole and teeth may vary.



Specifications

Size	Number of strands	Dimensions L_1	Dimensions L_2	Offset pin length L	Transverse pitch C	ASME standard min. tensile strength kN{kgf}	Min. tensile strength kN{kgf}	Max. allowable load kN{kgf}	Approx. mass kg/m
RS180	1	35.65	42.45	80.6	65.8	281.0{28655}	336 {34300}	60.8{6200}	13.45
	2	68.75	75.35	151.1		562.0{57309}	673 {68600}	103 {10540}	26.52
	3	101.7	108.5	216.9		843.0{85963}	1010{102900}	152 {15500}	38.22
	4	134.65	141.45	282.8		-	1350{137200}	201 {20460}	50.90
	5	167.6	174.4	348.6		-	1680{171500}	237 {24180}	63.59
	6	200.55	207.35	414.4		-	2020{205800}	280 {28520}	76.27

Note: 1. Maximum allowable load when using a one-pitch offset link is 65% of the above.
 2. Number of links per unit = 54. Items in bold are stocked in units.

RS180 Maximum kilowatt ratings table (kW ratings for single strand chain)

Small sprocket max rpm	Small sprocket max rpm																																																																																																																																																																																																																																																																																																																																																																																																																																																																																																																																		
	10		25		50		100		150		200		250		300		350		400		450		500		550		600		650		700		750		800		850		900		950		1000		1050		1100																																																																																																																																																																																																																																																																																																																																																																																																																																																																																				
	A I		A II		B		C		D		E		F		G		H		I		J		K		L		M		N		O		P		Q		R		S		T																																																																																																																																																																																																																																																																																																																																																																																																																																																																																										
9	4.94	11.3	21.0	39.2	56.5	73.2	89.4	90.8	90.8	81.9	68.6	58.6	50.8	44.6	39.5	35.4	31.9	29.0	26.4	24.3	22.4	20.7	19.3	18.0	5.53	12.6	23.5	43.9	63.3	82.0	100	102	102	95.9	80.4	68.6	59.5	52.2	46.3	41.4	37.4	33.9	31.0	28.4	26.2	24.3	22.6	21.0	6.13	14.0	26.1	48.7	70.1	90.9	111	113	113	111	92.7	79.2	68.6	60.2	53.4	47.8	43.1	39.1	35.7	32.8	30.2	28.0	26.0	24.3	6.73	15.4	28.7	53.5	77.0	99.8	122	126	126	126	106	90.2	78.2	68.6	60.9	54.5	49.1	44.6	40.7	37.4	34.4	31.9	29.6	27.6	7.34	16.7	31.3	58.3	84.0	109	133	142	142	142	119	102	88.2	77.4	68.6	61.4	55.4	50.3	45.9	42.1	38.8	36.0	33.4	7.95	18.1	33.9	63.2	91.0	118	144	159	159	159	133	114	98.5	86.5	76.7	68.6	61.9	56.2	51.3	47.1	43.4	40.2	37.4	8.57	19.5	36.5	68.1	98.0	127	155	176	176	176	148	126	109	95.9	85.1	76.1	68.6	62.3	56.9	52.2	48.1	44.6	41.4	9.19	21.0	39.1	73.0	105	136	166	191	191	191	163	139	120	106	93.7	83.9	75.6	68.6	62.7	57.5	53.0	49.1	45.6	9.81	22.4	41.8	77.9	112	145	178	201	201	201	178	152	132	116	103	91.8	82.8	75.2	68.6	63.0	58.1	53.8	10.4	23.8	44.4	82.9	119	155	189	216	216	216	194	166	144	126	112	100	90.2	81.9	74.8	68.6	63.3	58.6	11.0	25.2	47.1	87.9	127	164	200	229	229	229	211	180	156	137	121	109	97.8	88.8	81.1	74.4	68.6	63.5	11.6	26.7	49.8	92.9	134	173	212	243	243	243	227	194	168	148	131	117	106	95.9	87.6	80.4	74.1	68.6	12.2	28.1	52.5	97.9	141	183	223	256	256	256	245	209	181	159	141	126	114	103	94.2	86.5	79.7	73.8	12.7	29.6	55.2	103	148	192	235	269	269	269	262	224	194	170	151	135	122	111	101	92.7	85.5	13.3	31.0	57.9	108	156	202	246	282	282	282	280	239	208	182	162	145	130	118	108	99.1	91.4	13.9	32.5	60.6	113	163	211	258	299	299	299	299	255	221	194	172	154	139	126	115	106	97.4	14.5	33.9	63.3	118	170	221	270	318	318	318	318	271	235	206	183	164	148	134	122	112	102	15.1	35.4	66.1	123	178	230	281	331	337	337	337	288	249	219	194	174	157	142	130	119	16.2	38.4	71.6	134	192	249	305	359	377	377	377	322	279	245	217	194	175	159	145	133	17.4	41.3	77.1	144	207	269	328	387	418	418	418	357	309	271	241	215	194	176	161	148	18.5	44.3	82.7	154	222	288	352	415	448	448	448	393	341	299	265	237	214	194	177	20.3	48.8	91.1	170	245	317	388	457	494	494	494	449	390	342	303	271	245	217	164	23.2	56.4	105	196	283	366	448	504	504	504	504	463	429	391	347	297	242	182	26.1	64.0	119	223	321	416	509	551	551	551	507	471	431	383	329	269	202

Note: 1. kW ratings when using one-pitch offset links are 65% of the above.
 2. Please contact a Tsubaki representative prior to use of kW ratings in the shaded area of the table.

Multi-strand factors

Number of chain strands	Two strands	Three strands	Four strands	Five strands	Six strands
Multi-strand factor	1.7	2.5	3.3	3.9	4.6

Lubrication systems and methods

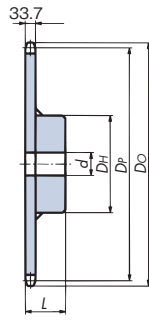
Lubrication system	A I	A II	B	C
Method	Manual lubrication	Drip lubrication	Oil bath or slinger disc lubrication	Forced pump lubrication

Details on pg. 216

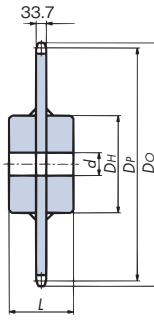
Model numbering example RS180 -1 -RP + 44L -MWJR

Size Number of strands Pin type Number of links End link

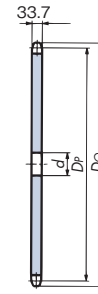
Note: Standard roller chains do not require series selection.



Welded construction
1B type



Welded construction
1C type



1A type

Number of teeth	Pitch circle dia. D_p	Outer dia. (D_o)	1B type						1C type						1A type			Number of teeth	
			Bore dia. d		Hub		Approx. mass kg	Material	Bore dia. d		Hub		Approx. mass kg	Material	Pilot bore dia.	Approx. mass kg	Material		
			Pilot bore	Max.	Dia. D_H	Length L			Pilot bore	Max.	Dia. D_H	Length L							
11	202.85	229	43	75	110	55	8.6								43	7.0		11	
12	220.81	248	43	85	130	65	11.6								43	8.5		12	
13	238.81	266	43	95	150	75	15.6								43	10.1		13	
14	256.83	285	43	105	170	80	19.7								43	11.9		14	
15	274.87	303	43	110	180	80	22.6								43	13.8		15	
16	292.94	322	43	110	180	80	24.6								43	15.8		16	
17	311.02	340	43	115	180	80	26.8								43	17.9		17	
18	329.12	358	43	115	180	80	29.2								43	20.2		18	
19	347.21	377	43	115	180	80	31.6								43	22.7		19	
20	365.33	395	43	115	180	80	34.2								43	25.2		20	
21	383.45	413								63	120	190	85	37.8		63	27.5		21
22	401.57	432								63	120	190	85	40.4		63	30.0		22
23	419.70	450								63	120	200	90	45.7		63	33.0		23
24	437.84	468								63	125	200	90	48.8		63	36.1		24
25	455.99	487								63	125	200	90	52.0		63	39.4		25
26	474.13	505								63	125	200	90	55.4		63	42.8		26
27	492.28	523								63	125	200	90	58.9		63	46.3		27
28	510.43	542								63	125	200	90	62.6		63	50.0		28
30	546.74	578								63	135	220	110	78.7		63	57.7		30
32	583.06	615								63	135	220	110	86.9		63	65.9		32
34	619.39	651								63	135	220	110	95.8		63	74.8		34
35	637.55	669								63	135	220	110	100.4		63	79.4		35
36	655.72	688								63	135	220	110	105.1		63	84.1		36
38	692.06	724								63	135	220	110	115.0		63	94.0		38
40	728.41	760								63	150	240	125	134.7		63	104.5		40
42	764.75	797								63	150	240	125	145.8		63	115.6		42
45	819.28	852								63	150	240	125	163.3		63	133.1		45
48	873.81	906								63	150	240	125	182.1		63	151.8		48
50	910.17	943								63	150	240	125	195.3		63	165.1		50
54	982.89	1016								63	150	240	125	223.3		63	193.1		54
60	1091.98	1125								63	150	240	125	269.5		63	239.2		60

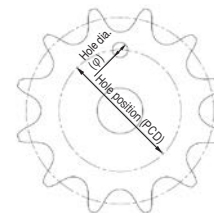
Welded construction: machine-structural carbon steel (teeth and hub)

Welded construction: machine-structural carbon steel (teeth and hub)

Machine-structural carbon steel

- Note: 1. Maximum bore diameters shown are standard figures. Determine bore diameter and key bearing pressure based on general mechanical design.
 2. Models in the dimensional chart whose approximate mass is in bold font have one hanging hole. See the diagram on the right for more information.
 3. Made-to-order.

Hanging hole dimensions



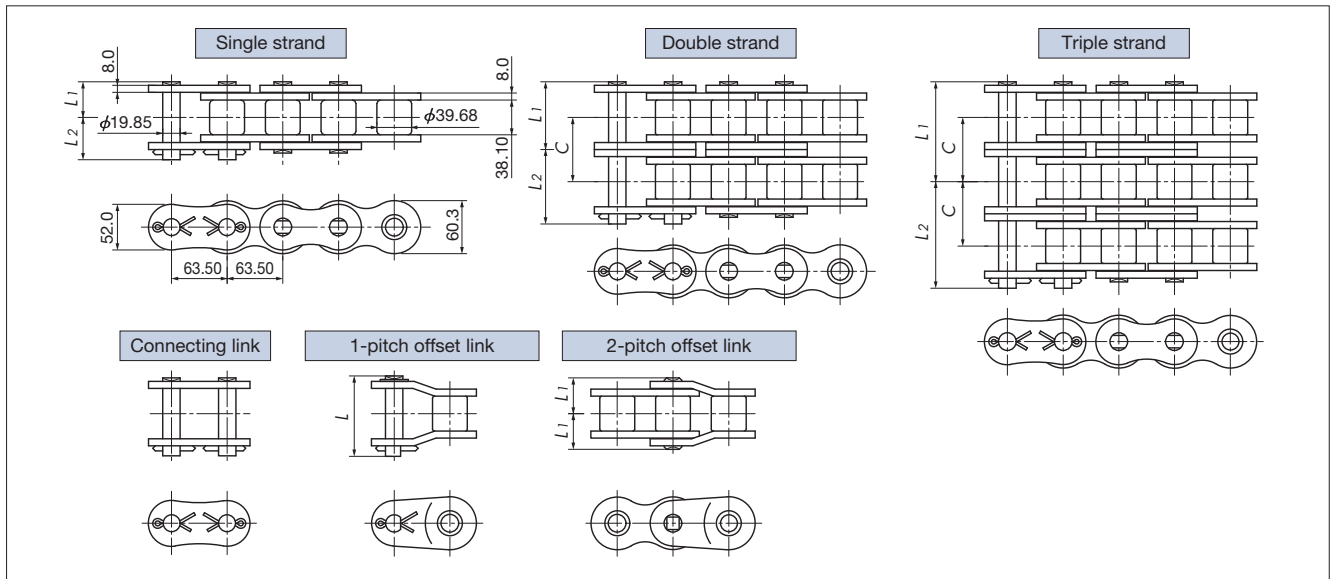
No. of teeth	1B/1C/1A bore dia. ($\phi 40$)		No. of teeth	1B/1C/1A bore dia. ($\phi 40$)	
	Hole position (PCD)			Hole position (PCD)	
22	276		35	512	
23	294		36	531	
24	313		38	567	
25	331		40	603	
26	349		42	640	
27	367		45	694	
28	385		48	749	
30	422		50	785	
32	458		54	858	
34	464		60	967	

The phase relationship between the hanging hole and teeth may vary.

Model numbering example

RS180 -1 B 15T





Specifications

Size	Number of strands	Dimensions L_1	Dimensions L_2	Offset pin length L	Transverse pitch C	ASME standard min. tensile strength kN{kgf}	Min. tensile strength kN{kgf}	Max. allowable load kN{kgf}	Approx. mass kg/m
RS200	1	39.0	44.8	87.3	71.6	347.0 {35385}	427 {43500}	71.6{7300}	16.49
	2	74.85	80.65	161.2		694.0 {70769}	853 {87000}	122 {12410}	32.63
	3	110.75	116.45	233.0		1041.0{106153}	1280{130500}	179 {18250}	49.02
	4	146.6	152.3	304.7		-	1710{174000}	236 {24090}	65.16
	5	182.4	188.2	376.3		-	2130{217500}	279 {28470}	81.32
	6	218.25	224.05	448.0		-	2560{261000}	329 {33580}	97.59

Note: 1. Maximum allowable load when using a one-pitch offset link is 65% of the above.
 2. Number of links per unit = 48. Items in bold are stocked in units.

RS200 Maximum kilowatt ratings table (kW ratings for single strand chain)

Small sprocket max rpm	Small sprocket max rpm																			
	10	15	20	30	40	50	70	100	150	200	250	300	350	400	450	500	550	600	650	
	A I				A II				B						C					
9	6.46	9.30	12.1	17.4	22.5	27.5	37.2	51.3	73.9	95.7	108	108	108	89.1	74.7	63.8	55.3	48.5	43.0	
10	7.24	10.4	13.5	19.5	25.2	30.8	41.7	57.5	82.8	107	122	122	122	104	87.5	74.7	64.7	56.8	50.4	
11	8.02	11.6	15.0	21.6	27.9	34.1	46.2	63.7	91.8	119	135	135	135	120	101	86.1	74.7	65.5	58.1	
12	8.81	12.7	16.4	23.7	30.7	37.5	50.8	70.0	101	131	148	148	148	137	115	98.2	85.1	74.7		
13	9.61	13.8	17.9	25.8	33.5	40.9	55.4	76.3	110	142	161	161	161	155	130	111	95.9	84.2		
14	10.4	15.0	19.4	28.0	36.2	44.3	60.0	82.7	119	154	175	175	175	173	145	124	107	94.1		
15	11.2	16.2	20.9	30.1	39.0	47.7	64.6	89.1	128	166	192	192	192	192	161	137	119	104		
16	12.0	17.3	22.4	32.3	41.9	51.2	69.3	95.5	138	178	211	211	211	211	177	151	131	115		
17	12.8	18.5	24.0	34.5	44.7	54.6	74.0	102	147	190	231	231	231	231	194	166	143	126		
18	13.6	19.7	25.5	36.7	47.5	58.1	78.7	108	156	202	247	252	252	252	211	180	156	137		
19	14.4	20.8	27.0	38.9	50.4	61.6	83.4	115	166	215	262	273	273	273	229	196	170	149		
20	15.2	22.0	28.5	41.1	53.3	65.1	88.2	122	175	227	277	290	290	290	247	211	183			
21	15.9	23.2	30.1	43.3	56.2	68.6	92.9	128	185	239	292	305	305	305	266	227	197			
22	16.7	24.4	31.6	45.6	59.0	72.2	97.7	135	194	251	307	321	321	321	285	244	211			
23	17.4	25.6	33.2	47.8	62.0	75.7	103	141	204	264	322	337	337	337	305	260	226			
24	18.2	26.8	34.8	50.1	64.9	79.3	107	148	213	276	338	353	353	353	325	278	241			
25	18.9	28.0	36.3	52.3	67.8	82.9	112	155	223	289	353	369	369	369	346	295	256			
26	19.7	29.3	37.9	54.6	70.7	86.5	117	161	232	301	368	385	385	385	367	313	271			

Note: 1. kW ratings when using one-pitch offset links are 65% of the above.
 2. Please contact a Tsubaki representative prior to use of kW ratings in the shaded area of the table.

Multi-strand factors

Number of chain strands	Two strands	Three strands	Four strands	Five strands	Six strands
Multi-strand factor	1.7	2.5	3.3	3.9	4.6

Lubrication systems and methods

Lubrication system	AI	A II	B	C
Method	Manual lubrication	Drip lubrication	Oil bath or slinger disc lubrication	Forced pump lubrication

Details on pg. 216

Model numbering example RS200 -1 -RP + 38L -MWJR

Size Number of strands Pin type Number of links End link

Note: Standard roller chains do not require series selection.

Standard Roller Chains and Sprockets **RS Sprocket RS200**

Before Use

Standard Roller Chains

Lube-Free Roller Chains

Heavy Duty Roller Chains

Corrosion Resistant Roller Chains

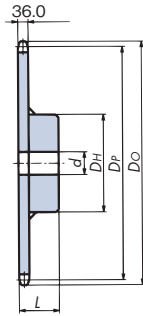
Specialty Roller Chains

Sprockets

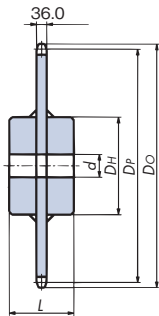
Pin Gear Drives

Accessories

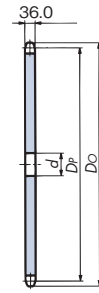
Handling



Welded construction
1B type



Welded construction
1C type



1A type

Number of teeth	Pitch circle dia. D_p	Outer dia. (D_o)	1B type						1C type						1A type			Number of teeth
			Bore dia. d		Hub		Approx. mass kg	Material	Bore dia. d		Hub		Approx. mass kg	Material	Pilot bore dia.	Approx. mass kg	Material	
			Pilot bore	Max.	Dia. D_H	Length L			Pilot bore	Max.	Dia. D_H	Length L						
11	225.39	254	43	80	130	65	12.3								43	9.4		11
12	245.34	275	43	90	150	75	16.6								43	11.3		12
13	265.34	296	43	100	170	80	21.0								43	13.4		13
14	285.37	316	43	110	180	80	24.3								43	15.7		14
15	305.42	337	43	115	180	80	26.8								43	18.2		15
16	325.49	357	43	115	180	80	29.5								43	20.9		16
17	345.58	378	43	120	190	85	34.5								43	23.7		17
18	365.68	398	43	120	190	85	37.5								43	26.8		18
19	385.79	419													63	29.5		19
20	405.92	439													63	32.9		20
21	426.05	459													63	36.1		21
22	446.20	480													63	39.9		22
23	466.34	500													63	43.8		23
24	486.49	520													63	47.8		24
25	506.65	541													63	52.2		25
26	526.81	561													63	56.7		26
27	546.98	581													63	61.3		27
28	567.14	602													63	66.1		28
30	607.49	642													63	76.3		30
32	647.85	683													63	87.2		32
34	688.21	723													63	98.8		34
35	708.39	744													63	104.9		35
36	728.58	764													63	111.2		36
38	768.96	804													63	124.2		38
40	809.34	845													63	138.1		40
42	849.73	885													63	152.6		42
45	910.31	946													63	175.8		45
48	970.90	1007													68	200.4		48
50	1011.30	1047													68	217.8		50
54	1092.10	1128													68	254.7		54
60	1213.31	1250													68	315.6		60

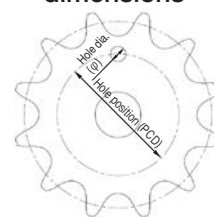
Welded construction: machine-structural carbon steel (teeth and hub)

Welded construction: machine-structural carbon steel (teeth and hub)

Machine-structural carbon steel

- Note: 1. Maximum bore diameters shown are standard figures. Determine bore diameter and key bearing pressure based on general mechanical design.
 2. Models in the dimensional chart whose approximate mass is in bold font have one hanging hole. See the diagram on the right for more information.
 3. Made-to-order.

■ Hanging hole dimensions



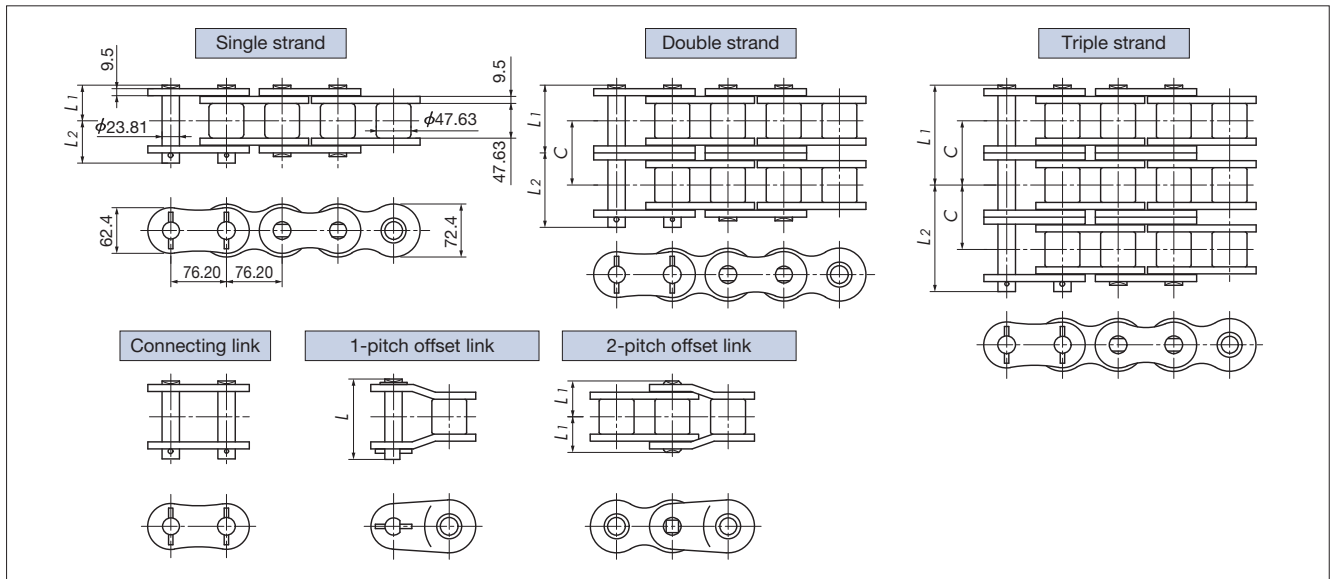
The phase relationship between the hanging hole and teeth may vary.

No. of teeth	1B/1C/1A bore dia. ($\phi 40$)		No. of teeth	1B/1C/1A bore dia. ($\phi 40$)	
	Hole position (PCD)			Hole position (PCD)	
21	291		34	553	
22	311		35	573	
23	331		36	593	
24	351		38	634	
25	371		40	673	
26	392		42	715	
27	412		45	775	
28	432		48	836	
30	472		50	876	
32	513		54	957	
			60	1078	

Model numbering example

RS200 -1 B 15T





Specifications

Size	Number of strands	Dimensions L_1	Dimensions L_2	Offset pin length L	Transverse pitch C	ASME standard min. tensile strength kN{kgf}	Min. tensile strength kN{kgf}	Max. allowable load kN{kgf}	Approx. mass kg/m
RS240	1	47.9	55.5	106.7	87.8	500.0 {50986}	623 {63500}	99.0{10100}	24.5
	2	91.65	99.15	198.4		1000.0{101972}	1250{127000}	168 {17170}	48.1
	3	135.55	143.05	286.3		1500.0{152958}	1870{190500}	248 {25250}	71.6
	4	179.45	186.95	374.2		-	2490{254000}	327 {33330}	95.1
	5	223.4	230.8	462.0		-	3110{317500}	386 {39390}	118.6
	6	267.3	274.7	550.1		-	3740{381000}	456 {46460}	142.1

Note: 1. Maximum allowable load when using a one-pitch offset link is 65% of the above.
 2. Number of links per unit = 40. Items in bold are stocked in units.

RS240 Maximum kilowatt ratings table (kW ratings for single strand chain)

Small sprocket max rpm	Small sprocket max rpm																			
	A I				A II				B								C			
	5	10	15	20	25	30	40	50	60	80	100	125	150	175	200	250	300	350	400	450
9	5.66	10.7	15.4	20.0	24.4	28.8	37.3	45.6	53.7	69.6	85.1	104	123	141	159	159	159	126	103	86.4
10	6.29	12.0	17.3	22.4	27.4	32.3	41.8	51.1	60.2	78.0	95.4	117	137	158	178	183	183	148	121	101
11	6.92	13.3	19.2	24.8	30.4	35.8	46.3	56.7	66.8	86.5	106	129	152	175	197	202	202	170	139	117
12	7.54	14.6	21.1	27.3	33.4	39.3	50.9	62.2	73.3	95.0	116	142	167	192	217	222	222	194	159	
13	8.17	15.9	23.0	29.7	36.4	42.8	55.5	67.9	80.0	104	127	155	182	210	236	242	242	219	179	
14	8.80	17.3	24.9	32.2	39.4	46.4	60.1	73.5	86.6	112	137	168	198	227	256	263	263	244	200	
15	9.43	18.6	26.8	34.7	42.4	50.0	64.8	79.2	93.3	121	148	181	213	245	276	283	283	271	222	
16	10.1	19.9	28.7	37.2	45.5	53.6	69.5	84.9	100	130	158	194	228	262	296	299	299	269	244	
17	10.7	21.3	30.7	39.7	48.6	57.2	74.2	90.7	107	138	169	207	244	280	300	300	300	281	268	
18	11.3	22.6	32.6	42.3	51.7	60.9	78.9	96.4	114	147	180	220	259	298	303	303	303	291	281	
19	11.9	23.9	34.6	44.8	54.8	64.6	83.6	102	120	156	191	233	275	316	317	317	317	304	291	
20	12.6	25.0	36.6	47.4	57.9	68.2	88.4	108	127	165	202	246	290	330	330	330	330	316	304	
21	13.2	26.4	38.5	49.9	61.0	71.9	93.2	114	134	174	213	260	306	345	345	345	345	328	316	
22	13.8	27.7	40.5	52.5	64.2	75.6	98.0	120	141	183	223	273	322	346	346	346	342	339	315	
23	14.5	28.4	42.5	55.1	67.3	79.3	103	126	148	192	234	287	338	370	370	370	359	350	334	
24	15.1	30.2	44.5	57.7	70.5	83.1	108	132	155	201	246	300	354	396	396	396	376	360		
25	15.7	31.4	46.5	60.3	73.7	86.8	112	137	162	210	257	314	370	410	410	410	388	370		
26	16.3	32.7	48.5	62.9	76.9	90.6	117	143	169	219	268	327	386	418	418	418	397	380		

Note: 1. kW ratings when using one-pitch offset links are 65% of the above.
 2. Please contact a Tsubaki representative prior to use of kW ratings in the shaded area of the table.

Multi-strand factors

Number of chain strands	Two strands	Three strands	Four strands	Five strands	Six strands
Multi-strand factor	1.7	2.5	3.3	3.9	4.6

Lubrication systems and methods

Lubrication system	AI	A II	B	C
Method	Manual lubrication	Drip lubrication	Oil bath or slinger disc lubrication	Forced pump lubrication

Details on pg. 216

Model numbering example **RS240 - 1 - RP + 30L - MSJR**

Size Number of strands Pin type Number of links End link

Note: Standard roller chains do not require series selection.

Standard Roller Chains and Sprockets **RS Sprocket RS240**

Before Use

Standard Roller Chains

Lube-Free Roller Chains

Heavy Duty Roller Chains

Corrosion Resistant Roller Chains

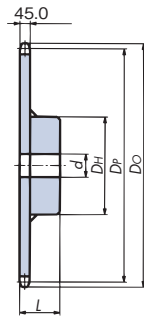
Specialty Roller Chains

Sprockets

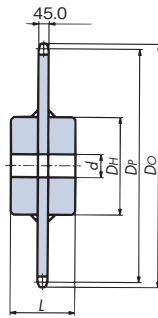
Pin Gear Drives

Accessories

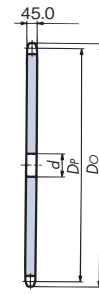
Handling



Welded construction
1B type



Welded construction
1C type

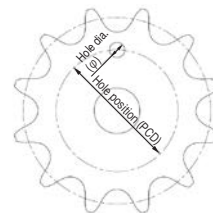


1A type

Number of teeth	Pitch circle dia. D_p	Outer dia. (D_o)	1B type						1C type						1A type			Number of teeth
			Bore dia. d		Hub		Approx. mass kg	Material	Bore dia. d		Hub		Approx. mass kg	Material	Pilot bore dia.	Approx. mass kg	Material	
			Pilot bore	Max.	Dia. D_H	Length L			Pilot bore	Max.	Dia. D_H	Length L						
11	270.47	305	43	90	150	75	21.3								43	17.1		11
12	294.41	330	43	100	170	85	27.8								43	20.6		12
13	318.41	355	43	120	200	100	37.7								43	24.4		13
14	342.44	380	43	130	210	110	46.0								43	28.6		14
15	366.50	404													63	32.5		15
16	390.59	429													63	37.3		16
17	414.70	453													63	42.4		17
18	438.82	478													63	47.9		18
19	462.95	502													63	53.6		19
20	487.11	527													63	59.2		20
21	511.26	551													63	65.6		21
22	535.43	576													63	72.3		22
23	559.61	600													63	79.4		23
24	583.79	625													63	86.8		24
25	607.98	649													63	94.5		25
26	632.17	673													63	102.6		26
27	656.37	698													63	111.0		27
28	680.57	722													63	119.6		28
30	728.99	771													63	138.0		30
32	777.42	819													63	157.1		32
34	825.86	868													63	178.5		34
35	850.07	892													63	189.4		35
36	874.30	917													63	200.8		36
38	922.75	965													63	224.3		38
40	971.21	1014													68	248.9		40
42	1019.67	1063													68	275.2		42
45	1092.37	1135													68	316.8		45
48	1165.08	1208													68	361.4		48
50	1213.56	1257													68	392.7		50
54	1310.52	1354													68	459.2		54
60	1455.98	1500													68	568.8		60

- Note: 1. Maximum bore diameters shown are standard figures. Determine bore diameter and key bearing pressure based on general mechanical design.
 2. Models in the dimensional chart whose approximate mass is in bold font have one hanging hole. See the diagram on the right for more information.
 3. Made-to-order.

Hanging hole dimensions



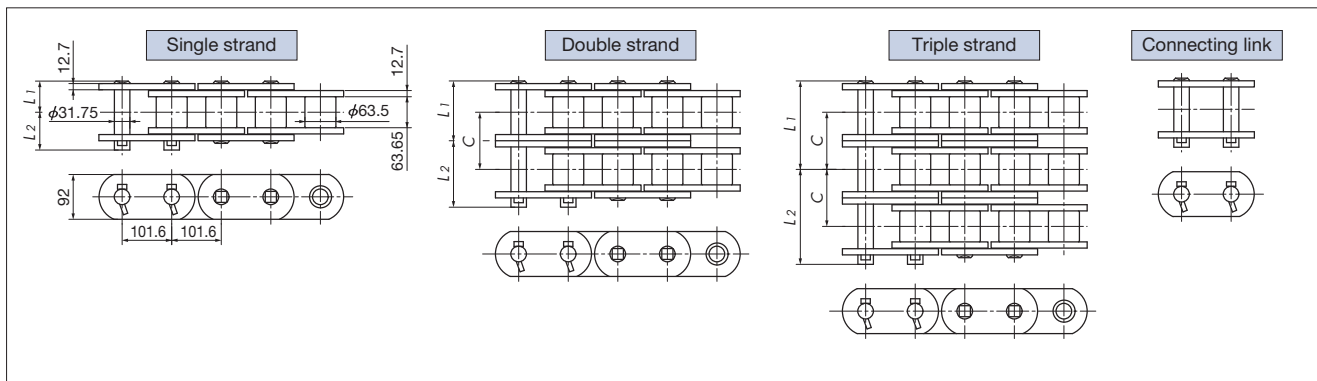
The phase relationship between the hanging hole and teeth may vary.

No. of teeth	1B/1C/1A bore dia. ($\phi 40$) Hole position (PCD)	No. of teeth	1B/1C/1A bore dia. ($\phi 40$) Hole position (PCD)
20	355	34	681
21	378	35	704
22	401	36	726
23	424	38	773
24	447	40	821
25	470	42	867
26	494	45	938
27	517	48	1009
28	540	50	1054
30	587	54	1148
32	635	60	1291

Model numbering example

RS240 -1 B 14T





Specifications

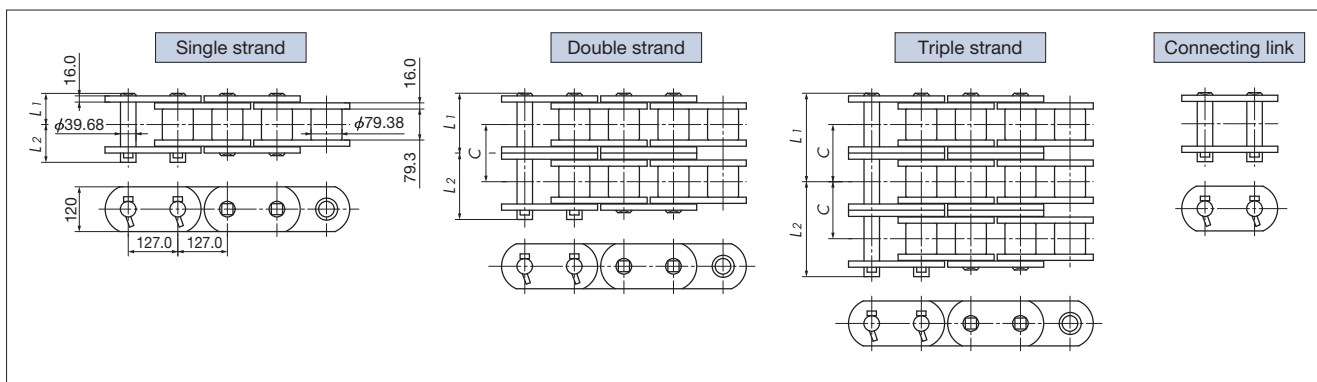
Size & series	Number of strands	Dimensions L_1	Dimensions L_2	Offset pin length L	Transverse pitch C	Min. tensile strength kN{kgf}	Max. allowable load kN{kgf}	Approx. mass kg/m
RF320-T	1	63.8	77.6	-	117.1	1000{102000}	123{12500}	47.6
	2	122.4	136.3	-		2000{204000}	208{21250}	94.6
	3	181.0	194.9	-		3000{306000}	306{31250}	141.5
	4	239.7	253.5	-		4000{408000}	405{41250}	188.5

Note: 1. Offset links are not available.
2. Number of links per unit = 30

Model numbering example

RF320 -T -1 -RP + 20L -FTJR

Size Series Number of strands Pin type Number of links End link



Specifications

Size & series	Number of strands	Dimensions L_1	Dimensions L_2	Offset pin length L	Transverse pitch C	Min. tensile strength kN{kgf}	Max. allowable load kN{kgf}	Approx. mass kg/m
RF400-T	1	79.65	92.65	-	146.8	1730{176000}	188{19200}	83.9
	2	153.05	165.95	-		3450{352000}	320{32640}	166.8
	3	226.45	239.25	-		5180{528000}	471{48000}	249.7
	4	299.8	312.5	-		6900{704000}	621{63360}	332.7

Note: 1. Offset links are not available.
2. Number of links per unit = 24

Model numbering example

RF400 -T -1 -RP + 14L -FTJR

Size Series Number of strands Pin type Number of links End link

This page shows the series, number of strands, as well as types of pins and connecting links that can be selected for each size. Also refer to “Ordering RS Roller Chain” on page 19.

Customized items are also available. Please contact a Tsubaki representative.

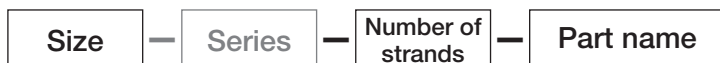
1. Chains ordered by specifying the number of links, etc.



◆ Model numbering example

RS10B-1-RP+100L-MCJR

2. Individual parts, such as connecting links and offset links, ordered by quantity



◆ Model numbering example

RS20B-1-MWJL
RS24B-3-OL

Note: Standard roller chains do not require series selection.

■ Pin type (column = size; row = number of strands)

	1	2	3
RF06B	RP	RP	RP
RS08B	RP	RP	RP
RS10B	RP	RP	RP
RS12B	RP	RP	RP
RS16B	RP	RP	RP
RS20B	RP	RP	RP
RS24B	RP	RP	RP
RS28B	RP	RP	RP
RS32B	RP	RP	RP
RS40B	RP	RP	RP
RS48B	RP	RP	RP
RS56B	RP	RP	RP

■ End link symbol for connecting links and part names (column = size; row = number of strands)

	1	2	3
RF06B	MCJ	MCJ	MCJ
RS08B	MCJ	MCJ	MCJ
RS10B	MCJ	MCJ	MCJ
RS12B	MCJ	MCJ	MCJ
RS16B	MCJ	MCJ	MCJ
RS20B	MWJ	MWJ	MWJ
RS24B	MWJ	MWJ	MWJ
RS28B	MWJ	MWJ	MWJ
RS32B	MWJ	MWJ	MWJ
RS40B	MWJ	MWJ	MWJ
RS48B	MWJ	MWJ	MWJ
RS56B	MWJ	MWJ	MWJ

■ Offset link types and part names

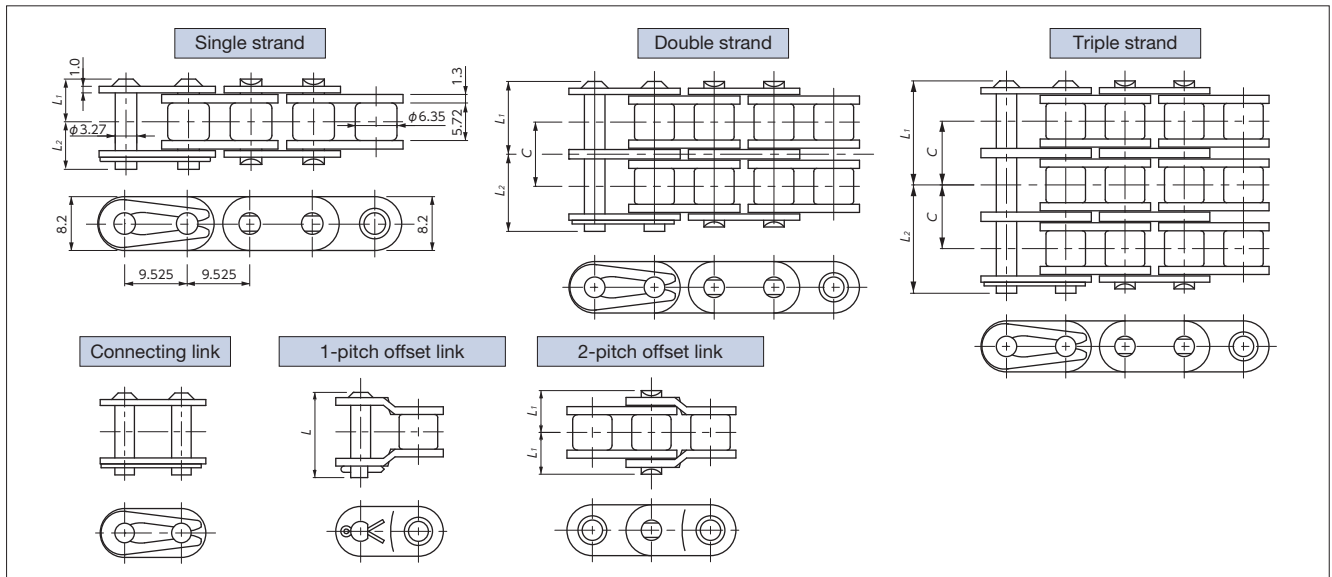
(column = size; row = number of strands)

	1	2	3
RF06B	O/2O	O/2O	O/2O
RS08B	O/2O	O/2O	O/2O
RS10B	O/2O	O/2O	O/2O
RS12B	O/2O	O/2O	O/2O
RS16B	O/2O	O/2O	O/2O
RS20B	O/2O	O/2O	O/2O
RS24B	O/2O	O/2O	O/2O
RS28B	O/2O	O/2O	O/2O
RS32B	O/2O	O/2O	O/2O
RS40B	O/2O	O/2O	O/2O
RS48B	O	O	O
RS56B	X	X	X

• Part names: O is offset link; 2O is 2-pitch offset link.

How to read chart

RP	RP only
MWJ	M-type connecting link with cotter pin only
MCJ	M-type connecting link with clip only
O/2O	Select from offset link or 2-pitch offset link
O	Offset link only
2O	2-pitch offset link only
X	Not available



Specifications

Size	Number of strands	Dimensions L ₁	Dimensions L ₂	Offset pin length L	Transverse pitch C	Min. tensile strength kN{kgf}	ISO "B" tensile strength kN{kgf}	Max. allowable load kN{kgf}
RF06B	1	6.1	7.7	14.5	10.24	9.00 {920}	8.90 {910}	1.95 {199}
	2	11.2	12.8	25.9		17.0 {1730}	16.9 {1720}	3.32 {339}
	3	16.4	17.9	36.1		24.9 {2540}	24.9 {2540}	4.88 {498}

Note: 1. Plates are flat.

Multi-strand chains have one middle plate. (The thickness of the middle plate differs from T₁ and T₂ due to the C dimension.)

2. Maximum allowable load when using connecting links is 80% of the above.

Maximum allowable load when using one-pitch and two-pitch offset links is 60% of the above.

3. Number of links per unit = 320. Items in bold are stocked in units.

RF06B Maximum kilowatt ratings table (kW ratings for single strand chain)

Small sprocket max rpm	Small sprocket max rpm																								
	A I					A II					B										C				
	50	100	300	500	700	900	1200	1500	1800	2100	2500	3000	3500	4000	4500	5000	5500	6000	6500	7000	7500	8000	8500	9000	10000
9	0.07	0.13	0.34	0.54	0.72	0.91	1.18	1.44	1.70	1.62	1.25	0.95	0.75	0.62	0.52	0.44	0.38	0.34	0.30	0.27	0.24	0.22	0.20	0.18	0.16
10	0.08	0.14	0.38	0.60	0.81	1.02	1.32	1.61	1.90	1.90	1.46	1.11	0.88	0.72	0.61	0.52	0.45	0.39	0.35	0.31	0.28	0.26	0.23	0.21	0.18
11	0.08	0.16	0.42	0.66	0.90	1.13	1.46	1.79	2.11	2.19	1.69	1.28	1.02	0.83	0.70	0.60	0.52	0.45	0.40	0.36	0.33	0.30	0.27	0.25	0.21
12	0.09	0.17	0.46	0.73	0.99	1.24	1.61	1.96	2.31	2.50	1.92	1.46	1.16	0.95	0.80	0.68	0.59	0.52	0.46	0.41	0.37	0.34	0.31	0.28	0.24
13	0.10	0.19	0.50	0.80	1.08	1.35	1.75	2.14	2.52	2.82	2.17	1.65	1.31	1.07	0.90	0.77	0.67	0.58	0.52	0.46	0.42	0.38	0.35	0.32	0.27
14	0.11	0.20	0.54	0.86	1.17	1.46	1.90	2.32	2.73	3.14	2.43	1.84	1.46	1.20	1.00	0.86	0.74	0.65	0.58	0.52	0.47	0.42	0.39	0.36	0.30
15	0.12	0.22	0.59	0.93	1.26	1.58	2.04	2.50	2.94	3.38	2.69	2.05	1.62	1.33	1.11	0.95	0.82	0.72	0.64	0.57	0.52	0.47	0.43	0.39	0.34
16	0.13	0.23	0.63	1.00	1.35	1.69	2.19	2.68	3.16	3.63	2.96	2.25	1.79	1.46	1.23	1.05	0.91	0.80	0.71	0.63	0.57	0.52	0.47	0.43	0.37
17	0.13	0.25	0.67	1.06	1.44	1.81	2.34	2.86	3.37	3.87	3.25	2.47	1.96	1.60	1.34	1.15	0.99	0.87	0.77	0.69	0.62	0.57	0.52	0.48	0.41
18	0.14	0.27	0.71	1.13	1.53	1.92	2.49	3.04	3.58	4.12	3.54	2.69	2.13	1.75	1.46	1.25	1.08	0.95	0.84	0.75	0.68	0.62	0.56	0.52	0.44
19	0.15	0.28	0.76	1.20	1.62	2.04	2.64	3.22	3.80	4.36	3.83	2.92	2.31	1.89	1.59	1.36	1.18	1.03	0.91	0.82	0.74	0.67	0.61	0.56	0.48
20	0.16	0.30	0.80	1.27	1.72	2.15	2.79	3.41	4.02	4.61	4.14	3.15	2.50	2.05	1.71	1.46	1.27	1.11	0.99	0.88	0.80	0.72	0.66	0.61	0.52
21	0.17	0.31	0.84	1.34	1.81	2.27	2.94	3.59	4.23	4.86	4.46	3.39	2.69	2.20	1.84	1.58	1.37	1.20	1.06	0.95	0.86	0.78	0.71	0.65	0.56
22	0.18	0.33	0.89	1.41	1.90	2.39	3.09	3.78	4.45	5.11	4.78	3.63	2.88	2.36	1.98	1.69	1.46	1.28	1.14	1.02	0.92	0.83	0.76	0.70	0.60
23	0.19	0.35	0.93	1.47	2.00	2.50	3.24	3.96	4.67	5.36	5.11	3.88	3.08	2.52	2.11	1.81	1.56	1.37	1.22	1.09	0.98	0.89	0.81	0.75	0.64
24	0.19	0.36	0.97	1.54	2.09	2.62	3.39	4.15	4.89	5.62	5.44	4.14	3.29	2.69	2.25	1.92	1.67	1.46	1.30	1.16	1.05	0.95	0.87	0.80	0.68
25	0.20	0.38	1.02	1.61	2.18	2.74	3.55	4.34	5.11	5.87	5.79	4.40	3.49	2.86	2.40	2.05	1.77	1.56	1.38	1.24	1.11	1.01	0.92	0.85	0.72
26	0.21	0.40	1.06	1.68	2.28	2.86	3.70	4.52	5.33	6.12	6.14	4.67	3.71	3.03	2.54	2.17	1.88	1.65	1.46	1.31	1.18	1.07	0.98	0.90	0.77
28	0.23	0.43	1.15	1.82	2.47	3.09	4.01	4.90	5.78	6.63	6.86	5.22	4.14	3.39	2.84	2.43	2.10	1.84	1.64	1.46	1.32	1.20	1.09	1.00	0.86
30	0.25	0.46	1.24	1.96	2.66	3.33	4.32	5.28	6.22	7.15	7.61	5.79	4.59	3.76	3.15	2.69	2.33	2.05	1.81	1.62	1.46	1.33	1.21	1.11	0.95
32	0.27	0.49	1.33	2.11	2.85	3.58	4.63	5.66	6.67	7.66	8.38	6.38	5.06	4.14	3.47	2.96	2.57	2.25	2.00	1.79	1.61	1.46	1.34	1.23	1.05
35	0.29	0.55	1.47	2.32	3.14	3.94	5.10	6.24	7.35	8.44	9.59	7.29	5.79	4.74	3.97	3.39	2.94	2.58	2.29	2.05	1.84	1.67	1.53	1.40	
40	0.34	0.63	1.69	2.68	3.63	4.55	5.89	7.20	8.49	9.75	11.4	8.91	7.07	5.79	4.85	4.14	3.59	3.15	2.79	2.50	2.25	2.05			
45	0.38	0.72	1.92	3.04	4.12	5.17	6.69	8.18	9.64	11.1	13.0	10.6	8.44	6.91	5.79	4.94	4.28	3.76	3.33	2.98					

Note: 1. kW ratings when using offset links are 80% of the above.

2. Please contact a Tsubaki representative prior to use of kW ratings in the shaded area of the table.

Multi-strand factors

Number of chain strands	Two strands	Three strands
Multi-strand factor	1.7	2.5

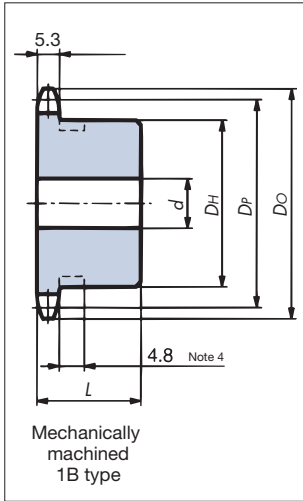
Lubrication systems and methods

Lubrication system	A I	A II	B	C	Details on pg. 216
Method	Manual lubrication	Drip lubrication	Oil bath or slinger disc lubrication	Forced pump lubrication	

Model numbering example **RF06B -1 -RP + 310L -MCJR**

Size Number of strands Pin type Number of links End link

Note: Standard roller chains do not require series selection.



No. of teeth	Outer dia. D_o	Pitch circle dia. D_p	1B type				Approx. mass kg	Construction/material	No. of teeth
			Bore dia. d		Hub				
			Pilot bore	Max.	Dia. D_H	Length L			
9	30	27.85	8	11	21	20	0.06	*	9
10	33	30.82	8	12	24	20	0.08	*	10
11	36	33.81	8	13	26	20	0.09	*	11
12	39	36.80	8	16	30	20	0.12	*	12
13	42	39.80	9.53	18	32	20	0.12	* Note 4	13
14	45	42.80	9.53	16.5	30	20	0.12	Mechanically machined: machine-structural carbon steel	14
15	48	45.81	9.53	19	35	20	0.16		15
16	51	48.82	9.53	20	37	20	0.19		16
17	54	51.84	9.53	24	41	20	0.22		17
18	57	54.85	9.53	24.5	44	20	0.25		18
19	60	57.87	9.53	28.5	47	20	0.28		19
20	63	60.89	9.53	30	50	20	0.32		20
21	66	63.91	9.53	32	53	20	0.36		21
22	69	66.93	9.53	32	53	20	0.37		22
23	72	69.95	9.53	32	53	20	0.40		23
24	75	72.97	9.53	32	53	22	0.43		24
25	78	76.00	12.7	32	53	22	0.44		25
26	81	79.02	12.7	32	53	22	0.45		26
27	84	82.05	12.7	32	53	22	0.46		27
28	87	85.07	12.7	32	53	22	0.48		28
30	93	91.12	12.7	32	53	22	0.51		30
32	99	97.18	12.7	32	53	22	0.54		32
34	105	103.23	12.7	32	53	22	0.57		34
35	108	106.26	12.7	32	53	22	0.59	35	
36	111	109.29	12.7	32	53	22	0.61	36	
38	117	115.34	13	42	63	25	0.82	38	
40	123	121.40	13	42	63	25	0.85	40	
42	129	127.46	13	42	63	25	0.91	42	
45	138	136.55	13	42	63	25	0.95	45	
48	148	145.64	13	42	63	25	1.0	48	
50	154	151.69	13	42	63	25	1.1	50	
54	167	163.82	13	42	63	25	1.2	54	
60	185	182.00	13	42	63	25	1.3	60	

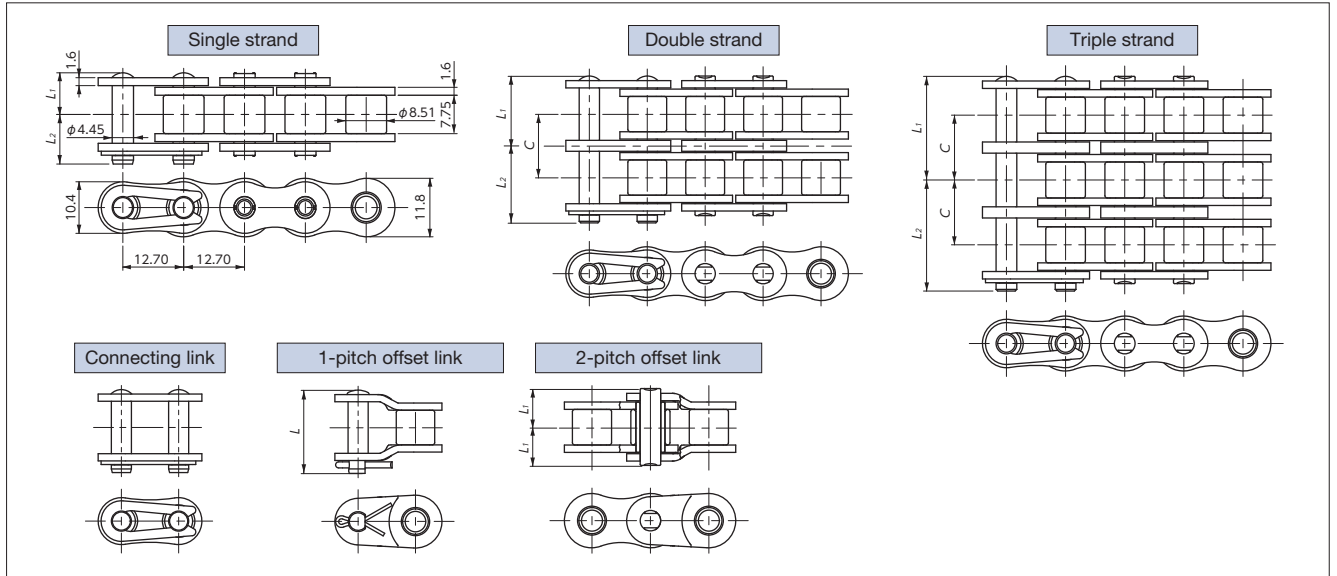
- Note: 1. Maximum bore diameters shown are standard figures. Determine bore diameter and key bearing pressure based on general mechanical design.
 2. Models in shaded areas have hardened teeth.
 3. Models with unhardened teeth as standard can be manufactured with hardened teeth.
 4. Models marked with an * above have a groove around the periphery of the hub. Groove outer diameter is 16 for 9T, 18 for 10T, 22 for 11T, 24 for 12T, and 28 for 13T.
 5. Made-to-order.

Model numbering example

RF06B -1 B 42T
 Size Number of strands Number of teeth
 Hub type

Hardened teeth model numbering example

RF06B -1 B 9T Q
 Size Number of strands Number of teeth Hardened teeth
 Hub type



Specifications

Size	Number of strands	Dimensions L ₁	Dimensions L ₂	Offset pin length L	Transverse pitch C	Min. tensile strength kN{kgf}	ISO "B" tensile strength kN{kgf}	Max. allowable load kN{kgf}	Approx. mass kg/m
RS08B	1	8.4	10.0	18.6		19.0 {1930}	17.8 {1820}	3.80 {387}	0.70
	2	15.3	16.9	34.5	13.92	32.0 {3260}	31.1 {3170}	6.46 {659}	1.35
	3	22.25	23.85	48.4		47.5 {4840}	44.5 {4540}	9.50 {969}	2.00

- Note: 1. Specially shaped pins and a center-sink rivet on chains allow for easy chain cutting without grinding the rivet.
 Multi-strand chains have one middle plate. (The thickness of the middle plate differs from T₁ and T₂ due to the C dimension.)
 2. Maximum allowable load when using one-pitch and two-pitch offset links is 60% of the above.
 3. Number of links per unit = 240. Items in bold are stocked in units.

RS08B Maximum kilowatt ratings table (kW ratings for single strand chain)

Small sprocket max rpm	Small sprocket max rpm																								
	10	25	50	100	200	300	400	500	700	900	1000	1200	1400	1600	1800	2100	2400	2700	3000	3500	4000	5000	6000	7000	8000
Lubrication Small sprocket no. of teeth	A I					A II					B										C				
	9	0.05	0.12	0.22	0.41	0.76	1.10	1.42	1.74	2.35	2.95	3.24	3.75	3.75	3.07	2.58	2.04	1.67	1.40	1.20	0.95	0.78	0.56	0.42	0.34
11	0.06	0.13	0.25	0.46	0.85	1.23	1.59	1.95	2.64	3.31	3.63	4.28	4.40	3.60	3.02	2.39	1.96	1.64	1.40	1.11	0.91	0.65	0.50	0.39	0.32
12	0.06	0.15	0.27	0.51	0.95	1.36	1.77	2.16	2.92	3.66	4.03	4.43	5.07	4.15	3.48	2.76	2.26	1.89	1.62	1.28	1.05	0.75	0.57	0.45	0.37
13	0.07	0.16	0.30	0.56	1.04	1.50	1.94	2.37	3.21	4.03	4.43	5.22	5.67	4.73	3.97	3.15	2.58	2.16	1.84	1.46	1.20	0.86	0.65	0.52	0.42
14	0.08	0.17	0.33	0.61	1.13	1.63	2.12	2.59	3.50	4.39	4.83	5.69	6.18	5.34	4.47	3.55	2.90	2.43	2.08	1.65	1.35	0.97	0.73	0.58	0.48
15	0.08	0.19	0.35	0.66	1.23	1.77	2.29	2.80	3.79	4.75	5.23	6.16	6.70	5.96	5.00	3.97	3.25	2.72	2.32	1.84	1.51	1.08	0.82	0.65	0.53
16	0.09	0.20	0.38	0.71	1.32	1.91	2.47	3.02	4.09	5.12	5.63	6.64	7.21	6.61	5.54	4.40	3.60	3.02	2.58	2.04	1.67	1.20	0.91	0.72	0.59
17	0.10	0.22	0.41	0.76	1.42	2.04	2.65	3.24	4.38	5.49	6.04	7.12	7.74	7.28	6.10	4.84	3.97	3.32	2.84	2.25	1.84	1.32	1.00	0.80	0.65
18	0.10	0.23	0.43	0.81	1.51	2.18	2.83	3.46	4.68	5.86	6.45	7.60	8.26	7.98	6.69	5.31	4.34	3.64	3.11	2.47	2.02	1.44	1.10	0.87	0.71
19	0.11	0.25	0.46	0.86	1.61	2.32	3.01	3.68	4.97	6.24	6.86	8.08	8.79	8.69	7.28	5.78	4.73	3.97	3.39	2.69	2.20	1.57	1.20	0.95	
20	0.12	0.26	0.49	0.92	1.71	2.46	3.19	3.90	5.27	6.61	7.27	8.57	9.43	9.43	7.90	6.27	5.13	4.30	3.67	2.91	2.38	1.71	1.30	1.03	
21	0.12	0.28	0.52	0.97	1.81	2.60	3.37	4.12	5.57	6.99	7.68	9.05	10.2	10.2	8.53	6.77	5.54	4.64	3.97	3.15	2.58	1.84	1.40	1.11	
22	0.13	0.29	0.55	1.02	1.90	2.74	3.55	4.34	5.88	7.37	8.10	9.54	11.0	11.0	9.18	7.28	5.96	5.00	4.27	3.39	2.77	1.98	1.51	1.20	
23	0.13	0.31	0.57	1.07	2.00	2.88	3.73	4.56	6.18	7.75	8.52	10.0	11.5	11.7	9.84	7.81	6.39	5.36	4.57	3.63	2.97	2.13	1.62	1.28	
24	0.14	0.32	0.60	1.13	2.10	3.02	3.92	4.79	6.48	8.13	8.94	10.5	12.1	12.6	10.5	8.35	6.83	5.73	4.89	3.88	3.18	2.27	1.73	1.37	
25	0.15	0.34	0.63	1.18	2.20	3.17	4.10	5.01	6.79	8.51	9.36	11.0	12.7	13.4	11.2	8.90	7.28	6.10	5.21	4.14	3.39	2.42	1.84	1.46	
26	0.15	0.35	0.66	1.23	2.30	3.31	4.29	5.24	7.09	8.89	9.78	11.5	13.2	14.1	11.9	9.46	7.74	6.49	5.54	4.40	3.60	2.58	1.96		
28	0.16	0.37	0.69	1.28	2.40	3.45	4.47	5.47	7.40	9.28	10.2	12.0	13.8	14.7	12.6	10.0	8.21	6.88	5.88	4.66	3.82	2.73	2.08		
30	0.18	0.40	0.75	1.39	2.60	3.74	4.84	5.92	8.02	10.1	11.1	13.0	15.0	16.0	14.1	11.2	9.18	7.69	6.57	5.21	4.27	3.05	2.32		
32	0.19	0.43	0.80	1.50	2.80	4.03	5.22	6.38	8.64	10.8	11.9	14.0	16.1	17.2	15.7	12.4	10.2	8.53	7.28	5.78	4.73	3.39	2.58		
35	0.20	0.46	0.86	1.61	3.00	4.32	5.60	6.84	9.26	11.6	12.8	15.0	17.3	18.4	17.3	13.7	11.2	9.40	8.03	6.37	5.21	3.73	2.86		
40	0.22	0.51	0.95	1.77	3.30	4.76	6.17	7.54	10.2	12.8	14.1	16.6	19.0	20.3	19.8	15.7	12.8	10.8	9.18	7.28	5.96	4.27			
45	0.26	0.59	1.10	2.05	3.82	5.50	7.12	8.71	11.8	14.8	16.2	19.1	22.0	24.1	24.1	19.2	15.7	13.1	11.2	8.90	7.28	5.21			
	0.29	0.67	1.24	2.32	4.33	6.24	8.09	9.89	13.4	16.8	18.4	21.7	25.0	28.2	28.8	22.9	18.7	15.7	13.4	10.6	8.69				

- Note: 1. kW ratings when using offset links are 80% of the above.
 2. Please contact a Tsubaki representative prior to use of kW ratings in the shaded area of the table.

Multi-strand factors

Number of chain strands	Two strands	Three strands
Multi-strand factor	1.7	2.5

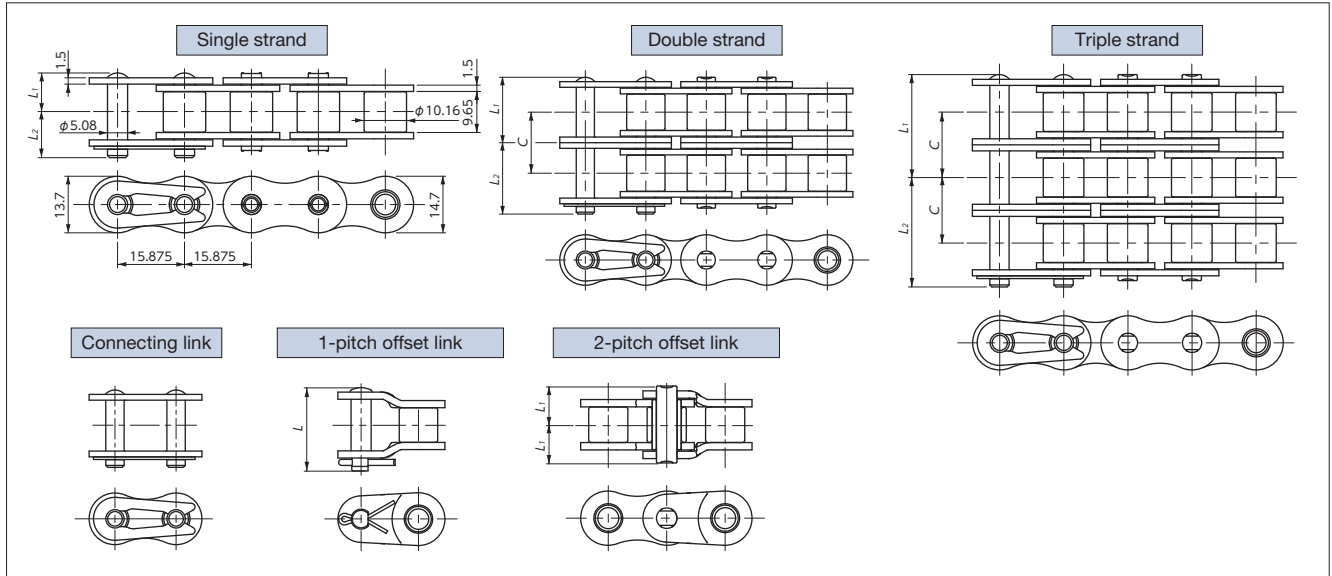
Lubrication systems and methods

Lubrication system	A I	A II	B	C	Details on pg. 216
Method	Manual lubrication	Drip lubrication	Oil bath or slinger disc lubrication	Forced pump lubrication	

Model numbering example RS08B -1 -RP + 230L -MCJR

Size Number of strands Pin type Number of links End link

Note: Standard roller chains do not require series selection.



Specifications

Size	Number of strands	Dimensions L ₁	Dimensions L ₂	Offset pin length L	Transverse pitch C	Min. tensile strength kN{kgf}	ISO "B" tensile strength kN{kgf}	Max. allowable load kN{kgf}	Approx. mass kg/m
RS10B	1	9.55	11.25	20.8	16.59	23.0 {2340}	22.2 {2260}	4.52 {461}	0.95
	2	17.85	19.55	39.4		44.5 {4540}	44.5 {4540}	7.68 {783}	1.85
	3	26.15	27.85	56.0		66.8 {6810}	66.7 {6800}	11.3 {1150}	2.80

- Note: 1. Specially shaped pins and a center-sink rivet on chains allow for easy chain cutting without grinding the rivet.
 2. Maximum allowable load when using one-pitch and two-pitch offset links is 60% of the above.
 3. Number of links per unit = 192. Items in bold are stocked in units.

RS10B Maximum kilowatt ratings table (kW ratings for single strand chain)

Lubrication Small sprocket No. of teeth	Small sprocket max rpm																											
	10	25	50	100	200	300	400	500	700	900	1000	1200	1400	1600	1800	2100	2400	2700	3000	3500	4000	4500	5000	5500	6000			
	A I				A II				B										C									
9	0.08	0.17	0.33	0.61	1.13	1.63	2.11	2.58	3.50	4.39	4.82	5.66	4.49	3.67	3.08	2.44	2.00	1.68	1.43	1.14	0.93	0.78	0.67	0.58	0.51			
10	0.09	0.20	0.36	0.68	1.27	1.83	2.37	2.90	3.92	4.92	5.40	6.37	5.26	4.30	3.61	2.86	2.34	1.96	1.68	1.33	1.09	0.91	0.78	0.68	0.59			
11	0.09	0.22	0.40	0.75	1.41	2.03	2.63	3.21	4.35	5.45	5.99	7.06	6.07	4.96	4.16	3.30	2.70	2.26	1.93	1.53	1.26	1.05	0.90	0.78	0.68			
12	0.10	0.24	0.44	0.83	1.55	2.23	2.88	3.53	4.77	5.99	6.58	7.75	6.91	5.66	4.74	3.76	3.08	2.58	2.20	1.75	1.43	1.20	1.02	0.89	0.78			
13	0.11	0.26	0.48	0.90	1.69	2.43	3.15	3.84	5.20	6.53	7.17	8.45	7.79	6.38	5.34	4.24	3.47	2.91	2.48	1.97	1.61	1.35	1.15	1.00				
14	0.12	0.28	0.52	0.98	1.83	2.63	3.41	4.17	5.64	7.07	7.77	9.16	8.71	7.13	5.97	4.74	3.88	3.25	2.78	2.20	1.80	1.51	1.29	1.12				
15	0.13	0.30	0.56	1.05	1.97	2.83	3.67	4.49	6.07	7.62	8.37	9.87	9.66	7.90	6.62	5.26	4.30	3.61	3.08	2.44	2.00	1.68	1.43	1.24				
16	0.14	0.32	0.61	1.13	2.11	3.04	3.94	4.81	6.51	8.17	8.98	10.6	10.6	8.71	7.30	5.79	4.74	3.97	3.39	2.69	2.20	1.85	1.58	1.37				
17	0.15	0.35	0.65	1.21	2.25	3.24	4.20	5.14	6.95	8.72	9.59	11.3	11.7	9.54	7.99	6.34	5.19	4.35	3.71	2.95	2.41	2.02	1.73	1.50				
18	0.16	0.37	0.69	1.28	2.40	3.45	4.47	5.46	7.40	9.27	10.2	12.0	12.7	10.4	8.71	6.91	5.66	4.74	4.05	3.21	2.63	2.20	1.88					
19	0.17	0.39	0.73	1.36	2.54	3.66	4.74	5.79	7.84	9.83	10.8	12.7	13.8	11.3	9.44	7.49	6.13	5.14	4.39	3.48	2.85	2.39	2.04					
20	0.18	0.41	0.77	1.44	2.68	3.87	5.01	6.12	8.29	10.4	11.4	13.5	14.9	12.2	10.2	8.09	6.62	5.55	4.74	3.76	3.08	2.58	2.20					
21	0.19	0.44	0.81	1.52	2.83	4.08	5.28	6.45	8.74	11.0	12.0	14.2	16.0	13.1	11.0	8.71	7.13	5.97	5.10	4.05	3.31	2.78	2.37					
22	0.20	0.46	0.85	1.59	2.98	4.29	5.55	6.79	9.19	11.5	12.7	14.9	17.1	14.0	11.8	9.34	7.64	6.41	5.47	4.34	3.55	2.98	2.54					
23	0.21	0.48	0.90	1.67	3.12	4.50	5.82	7.12	9.64	12.1	13.3	15.7	18.0	15.0	12.6	9.98	8.17	6.85	5.85	4.64	3.80	3.18						
24	0.22	0.50	0.94	1.75	3.27	4.71	6.10	7.46	10.1	12.7	13.9	16.4	18.8	16.0	13.4	10.6	8.71	7.30	6.23	4.94	4.05	3.39						
25	0.23	0.53	0.98	1.83	3.42	4.92	6.37	7.79	10.5	13.2	14.5	17.1	19.7	17.0	14.3	11.3	9.26	7.76	6.62	5.26	4.30	3.61						
26	0.24	0.55	1.02	1.91	3.56	5.13	6.65	8.13	11.0	13.8	15.2	17.9	20.5	18.0	15.1	12.0	9.82	8.23	7.03	5.58	4.56	3.82						
28	0.26	0.59	1.11	2.07	3.86	5.56	7.20	8.81	11.9	14.9	16.4	19.4	22.2	20.2	16.9	13.4	11.0	9.20	7.85	6.23	5.10	4.27						
30	0.28	0.64	1.19	2.23	4.16	5.99	7.76	9.49	12.8	16.1	17.7	20.9	24.0	22.4	18.7	14.9	12.2	10.2	8.71	6.91	5.66							
32	0.30	0.69	1.28	2.39	4.46	6.42	8.32	10.2	13.8	17.3	19.0	22.4	25.7	24.6	20.6	16.4	13.4	11.2	9.59	7.61	6.23							
35	0.33	0.76	1.41	2.63	4.91	7.08	9.17	11.2	15.2	19.0	20.9	24.6	28.3	28.2	23.6	18.7	15.3	12.9	11.0	8.71	6.92							
40	0.38	0.87	1.63	3.04	5.67	8.17	10.6	12.9	17.5	22.0	24.2	28.5	32.7	34.4	28.8	22.9	18.7	15.7	13.4	10.6								
45	0.43	0.99	1.85	3.45	6.44	9.28	12.0	14.7	19.9	24.9	27.4	32.3	37.1	41.1	34.4	27.3	22.4	18.7	16.0									

- Note: 1. kW ratings when using offset links are 80% of the above.
 2. Please contact a Tsubaki representative prior to use of kW ratings in the shaded area of the table.

Multi-strand factors

Number of chain strands	Two strands	Three strands
Multi-strand factor	1.7	2.5

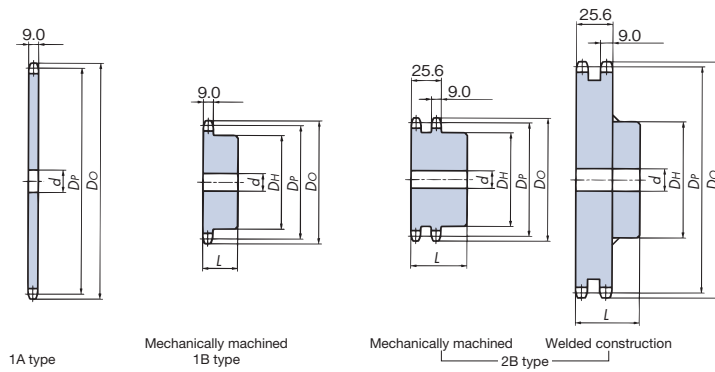
Lubrication systems and methods

Lubrication system	A I	A II	B	C	Details on pg. 216
Method	Manual lubrication	Drip lubrication	Oil bath or slinger disc lubrication	Forced pump lubrication	

Model numbering example RS10B -1 -RP + 182L -MCJR

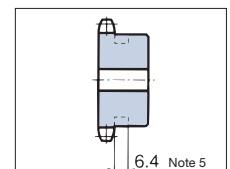
Size Number of strands Pin type Number of links End link

Note: Standard roller chains do not require series selection.



Number of teeth	Note 4 Outer dia. D_o	Pitch circle dia. D_p	1A type			1B type					2B type					Number of teeth		
			Pilot bore d	Approx. mass kg	Construction/material	Bore dia. d		Hub		Approx. mass kg	Construction/material	Bore dia. d		Hub			Approx. mass kg	Construction/material
						Pilot bore	Max.	Dia. D_H	Length L			Pilot bore	Max.	Dia. D_H	Length L			
9	52	46.42				9.53	19.22	34	25	0.20	*							9
10	57	51.37				9.53	25	40	25	0.27	*							10
11	62	56.35				12.7	30	45	25	0.33	*							11
12	67	61.34	18	0.18		12.7	32	50	25	0.41	*	12.7	24	42	35	0.6		12
13	72	66.33	18	0.22		12.7	32	51	25	0.46	*	12.7	28.5	47	35	0.7		13
14	77	71.34	18	0.24	Mechanically machined: structural carbon steel	12.7	35	52	25	0.52	Mechanically machined: machine-structural carbon steel	12.7	32	52	35	0.9	Mechanically machined: machine-structural carbon steel	14
15	82	76.35	18	0.27		12.7	40	57	25	0.62		12.7	35	57	35	1.0		15
16	87	81.37	18	0.31		12.7	45.5	62	25	0.72		12.7	40	62	35	1.3		16
17	92	86.39	18	0.35		12.7	47.5	67	25	0.83		12.7	47.5	67	35	1.5		17
18	97	91.42	18	0.40		12.7	47.5	72	28	1.0		12.7	47.5	72	35	1.7		18
19	103	96.45	18	0.44		12.7	47.5	73	28	1.1		15.88	52	79	35	2.0		19
20	108	101.48	18	0.49		12.7	47.5	73	28	1.2		15.88	55	82	40	2.2		20
21	113	106.51	18	0.54		15.88	47.5	73	28	1.2		15.88	60	89	40	2.5		21
22	118	111.55	18	0.60		15.88	47.5	73	28	1.3		15.88	63	92	40	2.9		22
23	123	116.59	18	0.66		15.88	47.5	73	28	1.3		15.88	67	99	40	3.3		23
24	128	121.62	18	0.71		15.88	47.5	73	28	1.4		15.88	70	102	40	3.6		24
25	133	126.66	18	0.78		15.88	47.5	73	28	1.5		15.88	75	109	40	4.0		25
26	138	131.70	18	0.84		18	48	73	28	1.5		18	63	93	40	3.7		26
27	143	136.74	18	0.91		18	48	73	28	1.5		18	63	93	40	3.9		27
28	148	141.79	18	0.98		18	48	73	28	1.6		18	63	93	40	4.1		28
30	158	151.87	18	1.1		18	48	73	28	1.8		18	63	93	40	4.6		30
32	168	161.96	18	1.3		18	48	73	28	1.9		18	63	93	50	5.1		32
34	178	172.05	18	1.4		18	48	73	28	2.1		18	63	93	50	5.6		34
35	183	177.10	18	1.5	18	48	73	28	2.2	18	63	93	50	5.9	35			
36	188	182.15	23	1.6	23	55	83	35	2.7	18	63	93	50	6.2	36			
38	198	192.24	23	1.8	23	55	83	35	2.9	18	63	93	50	6.8	38			
40	208	202.33	23	2.0	23	55	83	35	3.1	23	66	98	50	7.8	40			
42	218	212.43	23	2.2	23	55	83	35	3.3	23	66	98	50	8.5	42			
45	234	227.58	23	2.5	23	55	83	35	3.6	23	66	98	50	9.5	45			
48	249	242.73	23	2.9	23	55	83	35	4.0	23	66	98	50	10.7	48			
50	259	252.82	23	3.1	23	55	83	35	4.3	23	66	98	50	11.5	50			
54	279	273.03	23	3.6	23	55	83	35	4.8	23	66	98	50	13.5	54			
60	309	303.33	23	4.6	23	55	83	35	5.6	23	66	98	50	16.3	60			

- Note: 1. Maximum bore diameters shown are standard figures. Determine bore diameter and key bearing pressure based on general mechanical design.
 2. Models in shaded areas have hardened teeth.
 3. Models with unhardened teeth as standard can be manufactured with hardened teeth.
 4. The outer diameters shown above are for 1B. The outer diameters for other models may differ.
 5. Models marked with an * above have a groove around the periphery of the hub (shown in the diagram on the right). Groove outer diameter is 27 for 9T, 32 for 10T, 37 for 11T, 42 for 12T, and 47 for 13T.
 6. Welded construction: Carbon steel for machine structural use (teeth and hub).
 7. Made-to-order.

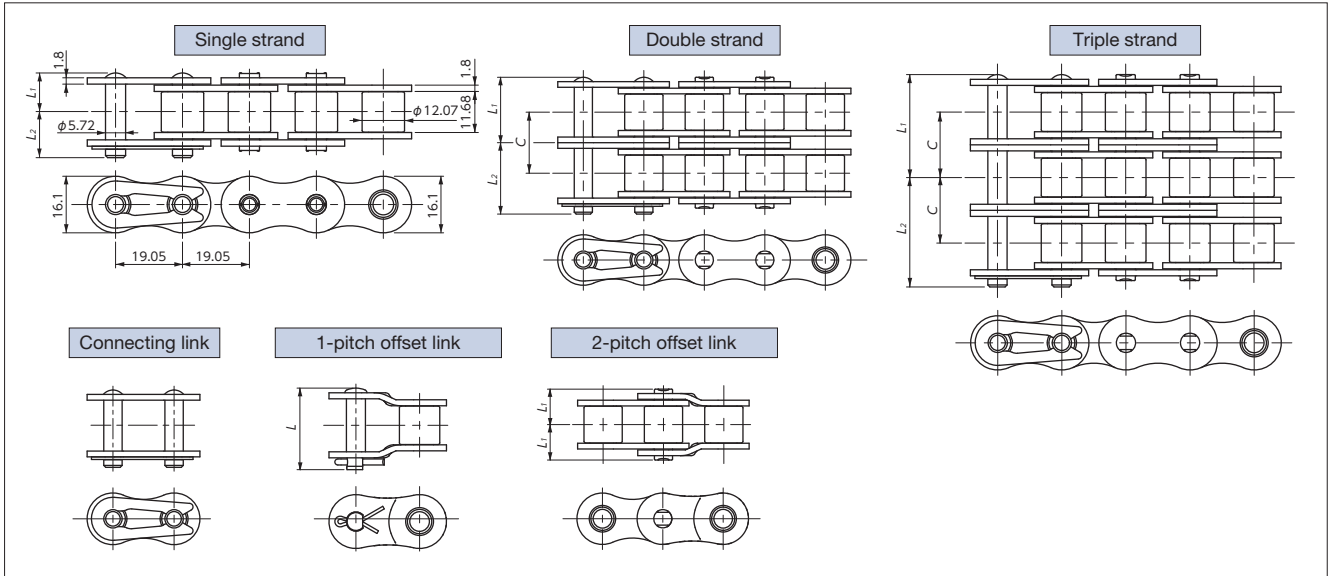


Model numbering example

RS10B -1 B 36T
 Size Number of strands Number of teeth
 Hub type

Hardened teeth model numbering example

RS10B -1 B 9T Q
 Size Number of strands Number of teeth Hardened teeth
 Hub type



Specifications

Size	Number of strands	Dimensions L ₁	Dimensions L ₂	Offset pin length L	Transverse pitch C	Min. tensile strength kN{kgf}	ISO "B" tensile strength kN{kgf}	Max. allowable load kN{kgf}	Approx. mass kg/m
RS12B	1	11.1	13.0	24.4	19.46	31.0 {3160}	28.9 {2950}	5.28 {538}	1.25
	2	20.85	22.75	45.9		61.0 {6220}	57.8 {5890}	8.98 {916}	2.50
	3	30.6	32.5	65.4		92.0 {9400}	86.7 {8840}	13.2 {1350}	3.80

- Note: 1. Specially shaped pins and a center-sink rivet on chains allow for easy chain cutting without grinding the rivet.
 2. Maximum allowable load when using one-pitch and two-pitch offset links is 60% of the above.
 3. Number of links per unit = 160. Items in bold are stocked in units.

RS12B Maximum kilowatt ratings table (kW ratings for single strand chain)

Lubrication Small sprocket No. of teeth	Small sprocket max rpm																								
	10	25	50	100	150	200	300	400	500	600	700	800	900	1000	1100	1200	1400	1600	1800	2000	2500	3000	3500	4000	4500
9	0.11	0.24	0.46	0.85	1.23	1.59	2.29	2.96	3.62	4.27	4.90	5.53	6.15	6.76	7.37	6.54	5.19	4.25	3.56	3.04	2.18	1.66	1.31	1.08	0.90
10	0.12	0.27	0.51	0.95	1.37	1.78	2.56	3.32	4.06	4.78	5.50	6.20	6.89	7.58	8.25	7.66	6.08	4.98	4.17	3.56	2.55	1.94	1.54	1.26	1.06
11	0.13	0.30	0.57	1.06	1.52	1.97	2.84	3.68	4.50	5.30	6.09	6.87	7.64	8.40	9.15	8.84	7.02	5.74	4.81	4.11	2.94	2.24	1.78	1.45	1.22
12	0.15	0.33	0.62	1.16	1.67	2.17	3.12	4.04	4.94	5.82	6.69	7.55	8.39	9.22	10.1	10.1	8.00	6.54	5.48	4.68	3.35	2.55	2.02	1.66	1.39
13	0.16	0.36	0.68	1.27	1.82	2.36	3.40	4.41	5.39	6.35	7.30	8.23	9.15	10.1	11.0	11.4	9.02	7.38	6.18	5.28	3.78	2.87	2.28	1.87	
14	0.17	0.39	0.74	1.37	1.98	2.56	3.69	4.78	5.84	6.88	7.90	8.91	9.91	10.9	11.9	12.7	10.1	8.25	6.91	5.90	4.22	3.21	2.55	2.09	
15	0.19	0.42	0.79	1.48	2.13	2.76	3.97	5.15	6.29	7.41	8.52	9.60	10.7	11.7	12.8	13.8	11.2	9.15	7.66	6.54	4.68	3.56	2.83	2.31	
16	0.20	0.46	0.85	1.58	2.28	2.96	4.26	5.52	6.74	7.95	9.13	10.3	11.4	12.6	13.7	14.8	12.3	10.1	8.44	7.21	5.16	3.92	3.11	2.55	
17	0.21	0.49	0.91	1.69	2.44	3.16	4.55	5.89	7.20	8.49	9.75	11.0	12.2	13.4	14.6	15.8	13.5	11.0	9.25	7.90	5.65	4.30	3.41	2.79	
18	0.23	0.52	0.96	1.80	2.59	3.36	4.84	6.27	7.66	9.03	10.4	11.7	13.0	14.3	15.6	16.8	14.7	12.0	10.1	8.60	6.16	4.68	3.72	3.04	
19	0.24	0.55	1.02	1.91	2.75	3.56	5.13	6.64	8.12	9.57	11.0	12.4	13.8	15.2	16.5	17.9	15.9	13.0	10.9	9.33	6.68	5.08	4.03	3.30	
20	0.25	0.58	1.08	2.02	2.90	3.76	5.42	7.02	8.58	10.1	11.6	13.1	14.6	16.0	17.5	18.9	17.2	14.1	11.8	10.1	7.21	5.48	4.35		
21	0.27	0.61	1.14	2.13	3.06	3.97	5.71	7.40	9.05	10.7	12.2	13.8	15.4	16.9	18.4	19.9	18.5	15.2	12.7	10.8	7.76	5.90	4.68		
22	0.28	0.64	1.20	2.23	3.22	4.17	6.01	7.78	9.51	11.2	12.9	14.5	16.1	17.8	19.3	20.9	19.8	16.2	13.6	11.6	8.32	6.33	5.02		
23	0.30	0.67	1.26	2.34	3.38	4.38	6.30	8.17	10.0	11.8	13.5	15.2	16.9	18.6	20.3	21.9	21.2	17.4	14.6	12.4	8.89	6.76	5.37		
24	0.31	0.71	1.32	2.46	3.54	4.58	6.60	8.55	10.5	12.3	14.1	16.0	17.7	19.5	21.2	23.0	22.6	18.5	15.5	13.2	9.48	7.21	5.72		
25	0.32	0.74	1.37	2.57	3.70	4.79	6.90	8.93	10.9	12.9	14.8	16.7	18.5	20.4	22.2	24.0	24.0	19.7	16.5	14.1	10.1	7.66	6.08		
26	0.34	0.77	1.43	2.68	3.86	5.00	7.19	9.32	11.4	13.4	15.4	17.4	19.3	21.3	23.2	25.1	25.5	20.9	17.5	14.9	10.7	8.13	6.45		
28	0.37	0.83	1.55	2.90	4.18	5.41	7.79	10.1	12.3	14.5	16.7	18.8	21.0	23.0	25.1	27.1	28.5	23.3	19.5	16.7	11.9	9.09			
30	0.39	0.90	1.67	3.12	4.50	5.83	8.40	10.9	13.3	15.7	18.0	20.3	22.6	24.8	27.0	29.2	31.6	25.9	21.7	18.5	13.2	10.1			
32	0.42	0.96	1.80	3.35	4.82	6.25	9.00	11.7	14.3	16.8	19.3	21.8	24.2	26.6	29.0	31.4	34.8	28.5	23.9	20.4	14.6	11.1			
35	0.46	1.06	1.98	3.69	5.32	6.89	9.92	12.8	15.7	18.5	21.3	24.0	26.7	29.3	31.9	34.5	39.7	32.6	27.3	23.3	16.7	12.7			
40	0.54	1.22	2.28	4.26	6.14	7.95	11.5	14.8	18.1	21.4	24.6	27.7	30.8	33.9	36.9	39.9	45.8	39.8	33.4	28.5	20.4				
45	0.61	1.39	2.59	4.84	6.97	9.03	13.0	16.9	20.6	24.3	27.9	31.5	35.0	38.5	41.9	45.3	52.1	47.5	39.8	34.0	24.3				

- Note: 1. kW ratings when using offset links are 80% of the above.
 2. Please contact a Tsubaki representative prior to use of kW ratings in the shaded area of the table.

Multi-strand factors

Number of chain strands	Two strands	Three strands
Multi-strand factor	1.7	2.5

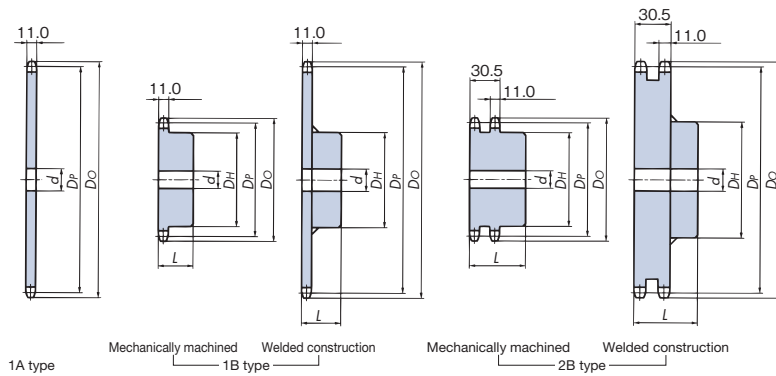
Lubrication systems and methods

Lubrication system	AI	A II	B	C	Details on pg. 216
Method	Manual lubrication	Drip lubrication	Oil bath or slinger disc lubrication	Forced pump lubrication	

Model numbering example RS12B -1 -RP + 150L -MCJR

Size Number of strands Pin type Number of links End link

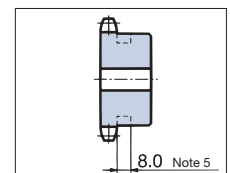
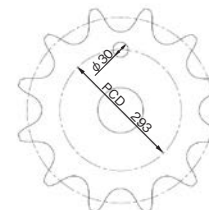
Note: Standard roller chains do not require series selection.



Number of teeth	Note 4 Outer dia. D_o	Pitch circle dia. D_p	1A type		1B type					2B type					Number of teeth		
			Pilot bore d	Approx. mass kg	Bore dia. d		Hub		Approx. mass kg	Construction/material	Bore dia. d		Hub			Approx. mass kg	Construction/material
					Pilot bore	Max.	Dia. D_H	Length L			Pilot bore	Max.	Dia. D_H	Length L			
9	63	55.70			9.53	24.5	43	32	0.40	*							9
10	69	61.65			12.7	30	49	32	0.49	*							10
11	75	67.62			12.7	32	51	32	0.60	*							11
12	81	73.60	18	0.37	12.7	32	51	32	0.69	Note 5	12.7	32	51	50	1.1		12
13	87	79.60	18	0.42	15.88	35	57	32	0.81		15.88	35	57	50	1.3		13
14	93	85.61	18	0.48	15.88	39.5	62	32	1.0		15.88	39.5	62	56	1.7		14
15	99	91.63	18	0.56	15.88	45.5	68	32	1.1		15.88	45.5	68	56	2.0		15
16	105	97.65	18	0.64	15.88	47.5	73	32	1.3		15.88	50	76	56	2.4		16
17	111	103.67	18	0.72	15.88	47.5	73	32	1.4		15.88	55	82	56	2.8		17
18	117	109.70	18	0.81	15.88	55	83	40	2.0		15.88	59	87	56	3.1		18
19	123	115.74	18	0.90	15.88	55	83	40	2.1		15.88	63	95	56	3.6		19
20	129	121.78	18	1.0	15.88	55	83	40	2.2		15.88	69	101	56	4.1		20
21	135	127.82	18	1.1	15.88	55	83	40	2.3		15.88	75	107	56	4.5		21
22	141	133.86	18	1.2	15.88	55	83	40	2.5		15.88	78	113	56	5.0		22
23	147	139.90	18	1.3	18	55	83	40	2.5		18	66	98	56	4.9		23
24	153	145.95	18	1.4	18	55	83	40	2.6		18	66	98	56	5.2		24
25	159	151.99	18	1.6	18	55	83	40	2.7		18	66	98	56	5.6		25
26	165	158.04	18	1.7	18	55	83	40	2.9		18	66	98	56	6.0		26
27	171	164.09	18	1.8	18	55	83	40	3.0		18	66	98	56	6.3		27
28	178	170.14	18	1.9	18	55	83	40	3.1		18	66	98	56	6.8		28
30	190	182.25	18	2.3	18	55	83	40	3.4		18	66	98	56	7.6		30
32	202	194.35	18	2.6	18	55	83	40	3.7		18	66	98	56	8.5		32
34	214	206.46	18	2.8	18	55	83	40	4.0		18	66	98	56	9.5		34
35	220	212.52	18	3.1	18	55	83	40	4.2		18	66	98	56	10.0		35
36	226	218.57	18	3.3	18	55	83	40	4.4		18	66	98	56	10.6		36
38	238	230.69	18	3.6	18	55	83	40	4.8		18	66	98	56	11.7		38
40	250	242.80	18	4.0	18	55	83	40	5.1		18	66	98	56	12.8		40
42	262	254.92	23	4.3	23	63	93	45	6.0		23	75	107	71	15.2		42
45	280	273.09	23	5.1	23	63	93	45	6.7		23	75	107	71	17.2		45
48	299	291.27	23	5.8	23	63	93	45	7.4		23	75	107	71	19.3		48
50	311	303.39	23	6.3	23	63	93	45	8.0		23	75	107	71	20.8		50
54	335	327.63	23	7.4	23	63	93	45	8.9		23	75	107	71	23.9		54
60	371	363.99	23	9.1	23	63	93	45	10.6	Note 6	23	75	107	71	29.1	Note 6	60

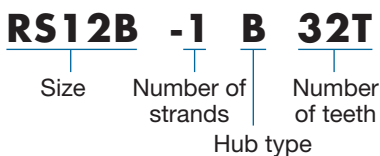
- Note: 1. Maximum bore diameters shown are standard figures. Determine bore diameter and key bearing pressure based on general mechanical design.
 2. Models in shaded areas have hardened teeth.
 3. Models with unhardened teeth as standard can be manufactured with hardened teeth.
 4. The outer diameters shown above are for 1B. The outer diameters for other models may differ.
 5. Models marked with an * above have a groove around the periphery of the hub (shown in the diagram on the right). Groove outer diameter is 32 for 9T, 37 for 10T, and 45 for 11T.
 6. Welded construction: Carbon steel for machine structural use (teeth and hub).
 7. Models in the dimensional chart whose approximate mass is in bold font have one hanging hole. See the diagram on the right for more information.
 8. Made-to-order.

Hanging hole dimensions

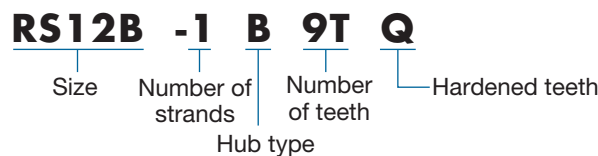


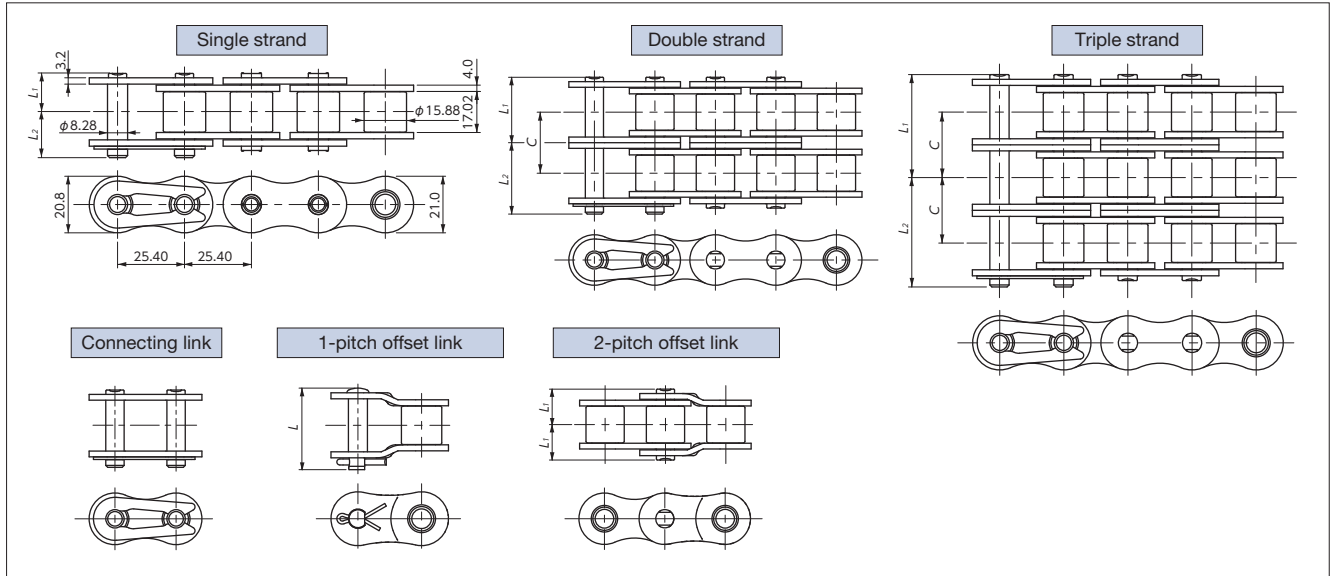
The phase relationship between the hanging hole and teeth may vary.

Model numbering example



Hardened teeth model numbering example





Specifications

Size	Number of strands	Dimensions L ₁	Dimensions L ₂	Offset pin length L	Transverse pitch C	Min. tensile strength kN{kgf}	ISO "B" tensile strength kN{kgf}	Max. allowable load kN{kgf}	Approx. mass kg/m
RS16B	1	17.75	19.95	41.1		70.0 {7100}	60.0 {6120}	13.1 {1340}	2.70
	2	33.55	35.75	75.2	31.88	128 {13000}	106 {10800}	22.3 {2270}	5.40
	3	49.5	51.7	107.1		192 {19600}	160 {16300}	32.8 {3340}	8.00

- Note: 1. Specially shaped pins and a center-sink rivet on chains allow for easy chain cutting without grinding the rivet.
 2. Maximum allowable load when using one-pitch and two-pitch offset links is 60% of the above.
 3. Number of links per unit = 120. Items in bold are stocked in units.

RS16B Maximum kilowatt ratings table (kW ratings for single strand chain)

Small sprocket max rpm	Small sprocket max rpm																											
	10	25	50	100	150	200	300	400	500	600	700	800	900	1000	1100	1200	1400	1600	1800	2000	2200	2400	2700	3000	3400			
Lubrication Small sprocket No. of teeth	A I				A II				B								C											
	9	0.35	0.81	1.51	2.82	4.06	5.25	7.57	9.81	12.0	14.1	16.2	15.1	12.7	10.8	9.39	8.24	6.54	5.35	4.48	3.83	3.32	2.91	2.44	2.08	1.73		
10	0.40	0.91	1.69	3.16	4.54	5.89	8.48	11.0	13.4	15.8	18.2	17.7	14.9	12.7	11.0	9.65	7.66	6.27	5.25	4.48	3.89	3.41	2.86	2.44	2.02			
11	0.44	1.00	1.87	3.50	5.04	6.53	9.40	12.2	14.9	17.5	20.2	20.4	17.1	14.6	12.7	11.1	8.83	7.23	6.06	5.17	4.48	3.94	3.30	2.82	2.33			
12	0.48	1.10	2.06	3.84	5.53	7.17	10.3	13.4	16.4	19.3	22.1	23.3	19.5	16.7	14.5	12.7	10.1	8.24	6.90	5.89	5.11	4.48	3.76	3.21	2.66			
13	0.53	1.20	2.24	4.19	6.03	7.82	11.3	14.6	17.8	21.0	24.1	26.3	22.0	18.8	16.3	14.3	11.3	9.29	7.78	6.65	5.76	5.06	4.24	3.62	3.00			
14	0.57	1.30	2.43	4.54	6.54	8.47	12.2	15.8	19.3	22.8	26.1	29.4	24.6	21.0	18.2	16.0	12.7	10.4	8.70	7.43	6.44	5.65	4.74	4.04	3.35			
15	0.62	1.40	2.62	4.89	7.04	9.12	13.1	17.0	20.8	24.5	28.2	31.8	27.3	23.3	20.2	17.7	14.1	11.5	9.65	8.24	7.14	6.27	5.25	4.48	3.72			
16	0.66	1.51	2.81	5.24	7.55	9.78	14.1	18.3	22.3	26.3	30.2	34.1	30.1	25.7	22.2	19.5	15.5	12.7	10.6	9.08	7.87	6.90	5.79	4.94	4.09			
17	0.70	1.61	3.00	5.60	8.06	10.4	15.0	19.5	23.8	28.1	32.2	36.4	32.9	28.1	24.4	21.4	17.0	13.9	11.6	9.94	8.62	7.56	6.34	5.41	0.01			
18	0.75	1.71	3.19	5.95	8.57	11.1	16.0	20.7	25.3	29.9	34.3	38.7	35.9	30.6	26.5	23.3	18.5	15.1	12.7	10.8	9.39	8.24	6.90	5.89				
19	0.79	1.81	3.38	6.31	9.09	11.8	17.0	22.0	26.9	31.7	36.4	41.0	38.9	33.2	28.8	25.3	20.1	16.4	13.8	11.7	10.2	8.93	7.49	6.39				
20	0.84	1.92	3.57	6.67	9.61	12.4	17.9	23.2	28.4	33.5	38.4	43.3	40.2	35.9	31.1	27.3	21.7	17.7	14.9	12.7	11.0	9.65	8.09	6.90				
21	0.89	2.02	3.77	7.03	10.1	13.1	18.9	24.5	29.9	35.3	40.5	45.7	45.2	38.6	33.5	29.4	23.3	19.1	16.0	13.6	11.8	10.4	8.70	7.43				
22	0.93	2.12	3.96	7.39	10.6	13.8	19.9	25.7	31.5	37.1	42.6	48.0	48.5	41.4	35.9	31.5	25.0	20.4	17.1	14.6	12.7	11.1	9.33	7.96				
23	0.98	2.23	4.16	7.76	11.2	14.5	20.8	27.0	33.0	38.9	44.7	50.4	51.8	44.2	38.3	33.7	26.7	21.9	18.3	15.6	13.6	11.9	9.97	8.51				
24	1.02	2.33	4.35	8.12	11.7	15.2	21.8	28.3	34.6	40.7	46.8	52.8	55.2	47.2	40.9	35.9	28.5	23.3	19.5	16.7	14.5	12.7	10.6	9.08				
25	1.07	2.44	4.55	8.49	12.2	15.8	22.8	29.6	36.1	42.6	48.9	55.2	58.7	50.1	43.5	38.1	30.3	24.8	20.8	17.7	15.4	13.5	11.3	6.15				
26	1.11	2.54	4.75	8.85	12.8	16.5	23.8	30.8	37.7	44.4	51.0	57.5	62.3	53.2	46.1	40.5	32.1	26.3	22.0	18.8	16.3	14.3	12.0					
28	1.21	2.75	5.14	9.59	13.8	17.9	25.8	33.4	40.8	48.1	55.3	62.3	69.3	59.4	51.5	45.2	35.9	29.4	24.6	21.0	18.2	16.0	13.4					
30	1.30	2.97	5.54	10.3	14.9	19.3	27.8	36.0	44.0	51.8	59.6	67.2	74.7	65.9	57.1	50.1	39.8	32.6	27.3	23.3	20.2	17.7	14.9					
32	1.40	3.18	5.94	11.1	16.0	20.7	29.8	38.6	47.2	55.6	63.9	72.0	80.1	72.6	62.9	55.2	43.8	35.9	30.1	25.7	22.2	19.5	9.65					
35	1.54	3.51	6.54	12.2	17.6	22.8	32.8	42.5	52.0	61.2	70.3	79.3	88.2	83.0	72.0	63.2	50.1	41.0	34.4	29.4	25.5	22.3						
40	1.78	4.05	7.56	14.1	20.3	26.3	37.9	49.1	60.0	70.7	81.3	91.6	102	101	87.9	77.2	61.3	50.1	42.0	35.9	31.1	11.5						
45	2.02	4.60	8.58	16.0	23.1	29.9	43.0	55.8	68.2	80.3	92.3	104	116	121	105	92.1	73.1	59.8	50.1	42.8	25.6							

- Note: 1. kW ratings when using offset links are 80% of the above.
 2. Please contact a Tsubaki representative prior to use of kW ratings in the shaded area of the table.

Multi-strand factors

Number of chain strands	Two strands	Three strands
Multi-strand factor	1.7	2.5

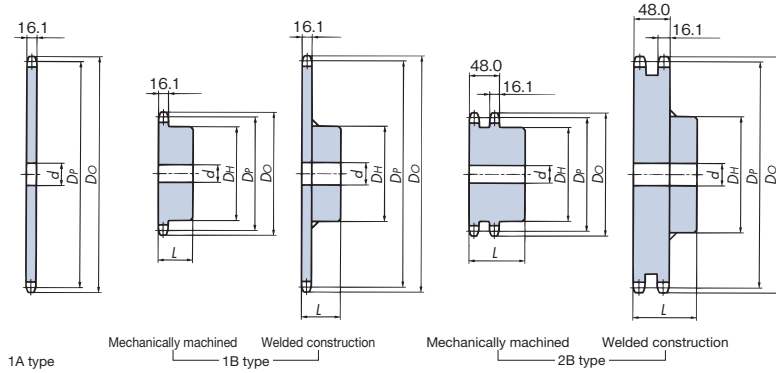
Lubrication systems and methods

Lubrication system	AI	A II	B	C	Details on pg. 216
Method	Manual lubrication	Drip lubrication	Oil bath or slinger disc lubrication	Forced pump lubrication	

Model numbering example RS16B -1 -RP + 110L -MCJR

Size: RS16B, Number of strands: -1, Pin type: -RP, Number of links: +110L, End link: -MCJR

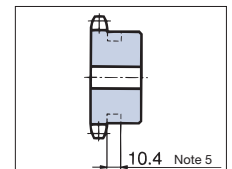
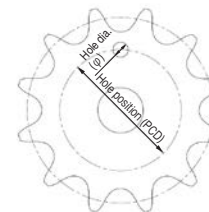
Note: Standard roller chains do not require series selection.



Number of teeth	Note 4 Outer dia. D_o	Pitch circle dia. D_p	1A type		1B type					2B type					Number of teeth									
			Pilot bore d	Approx. mass kg	Bore dia. d		Hub		Approx. mass kg	Construction/material	Bore dia. d		Hub			Approx. mass kg	Construction/material							
					Pilot bore	Max.	Dia. D_H	Length L			Pilot bore	Max.	Dia. D_H	Length L										
9	84	74.26			15.9	34	57	40	0.87	* Note 5								9						
10	92	82.20			15.9	32	52	40	0.97										10					
11	100	90.16			15.9	38	60	40	1.2	Mechanically machined: machine-structural carbon steel								11						
12	108	98.14	23	0.82	19.05	45	67	40	1.5		19.05	46	67	63	2.5	Mechanically machined: machine-structural carbon steel			12					
13	116	106.14	23	0.93	19.05	50	77	40	1.9		19.05	50	77	63	3.1				13					
14	124	114.15	23	1.1	19.05	50	77	40	2.0		19.05	58	86	63	3.7		Welded construction			14				
15	132	122.17	23	1.2	19.05	63	93	40	2.6		19.05	64	94	63	4.3					15				
16	140	130.20	23	1.4	19.05	63	93	40	2.8		19.05	70	102	71	5.5					16				
17	148	138.23	23	1.6	19.05	63	93	40	3.0		19.05	76	110	71	6.4					17				
18	156	146.27	23	1.8	19.05	63	93	40	3.2		23	66	98	71	6.4			Mechanically machined: machine-structural carbon steel			18			
19	164	154.32	23	2.0	23	63	93	40	3.4		23	66	98	71	7.0						19			
20	172	162.37	23	2.2	23	63	93	40	3.6		23	75	107	71	7.9				Welded construction			20		
21	180	170.42	23	2.5	23	63	93	40	3.8		23	75	107	71	8.6							21		
22	188	178.48	28	2.7	28	75	107	45	4.8		28	80	117	71	9.6							22		
23	196	186.54	28	2.9	28	75	107	45	5.1		28	80	117	71	10.3					Mechanically machined: machine-structural carbon steel			23	
24	205	194.60	28	3.2	28	75	107	45	5.4		28	80	117	80	11.8								24	
25	213	202.66	28	3.5	28	75	107	45	5.6		28	80	117	80	12.6						Welded construction			25
26	221	210.72	28	3.8	28	75	107	45	5.9		28	80	117	80	13.5									26
27	229	218.79	28	4.0	28	75	107	45	6.1		28	80	117	80	14.4									27
28	237	226.86	28	4.3	28	75	107	45	6.5		28	80	117	80	15.3							Mechanically machined: machine-structural carbon steel		
30	253	243.00	28	5.0	28	75	107	45	7.1	28	80	117	80	17.2										30
32	269	259.14	28	5.8	28	75	107	45	7.8	28	80	117	80	19.3	Welded construction									32
34	285	275.28	28	6.4	28	75	107	45	8.5	28	80	117	80	21.5										34
35	293	283.36	28	6.9	28	75	107	45	8.9	28	80	117	80	22.7									35	
36	301	291.43	33	7.3	33	80	117	50	10.1	28	80	117	80	23.9		Mechanically machined: machine-structural carbon steel								36
38	318	307.58	33	8.0	33	80	117	50	10.9	28	80	117	80	26.4										38
40	334	323.74	33	9.0	33	80	117	50	11.8	33	80	117	90	30.4			Welded construction							
42	350	339.89	33	9.8	33	80	117	50	12.7	33	89	127	90	33.2										42
45	374	364.12	33	11.0	33	80	117	50	14.2	33	89	127	90	37.6										45
48	398	388.36	33	13.0	33	80	117	50	15.8	33	89	127	90	42.3				Mechanically machined: machine-structural carbon steel						48
50	414	404.52	33	14.0	33	80	117	50	16.8	33	89	127	90	45.7										50
54	447	436.84	33	16.0	33	80	117	50	19.2	33	89	127	90	52.8					Welded construction					
60	495	485.33	33	20.0	33	80	117	50	23.1	33	89	127	90	64.5										60

- Note: 1. Maximum bore diameters shown are standard figures. Determine bore diameter and key bearing pressure based on general mechanical design.
 2. Models in shaded areas have hardened teeth.
 3. Models with unhardened teeth as standard can be manufactured with hardened teeth.
 4. The outer diameters shown above are for 1B. The outer diameters for other models may differ.
 5. Models marked with an * above have a groove around the periphery of the hub (shown in the diagram on the right). Groove outer diameter is 44 for 9T.
 6. Welded construction: Carbon steel for machine structural use (teeth and hub).
 7. Models in the dimensional chart whose approximate mass is in bold font have one hanging hole. See the diagram on the right for more information.
 8. Made-to-order.

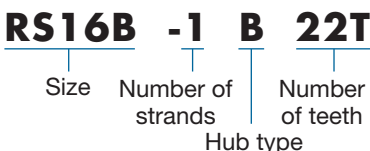
Hanging hole dimensions



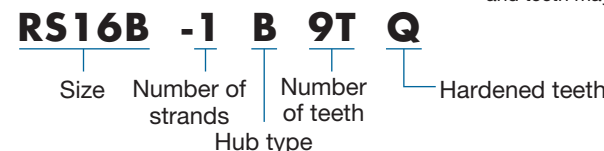
The phase relationship between the hanging hole and teeth may vary.

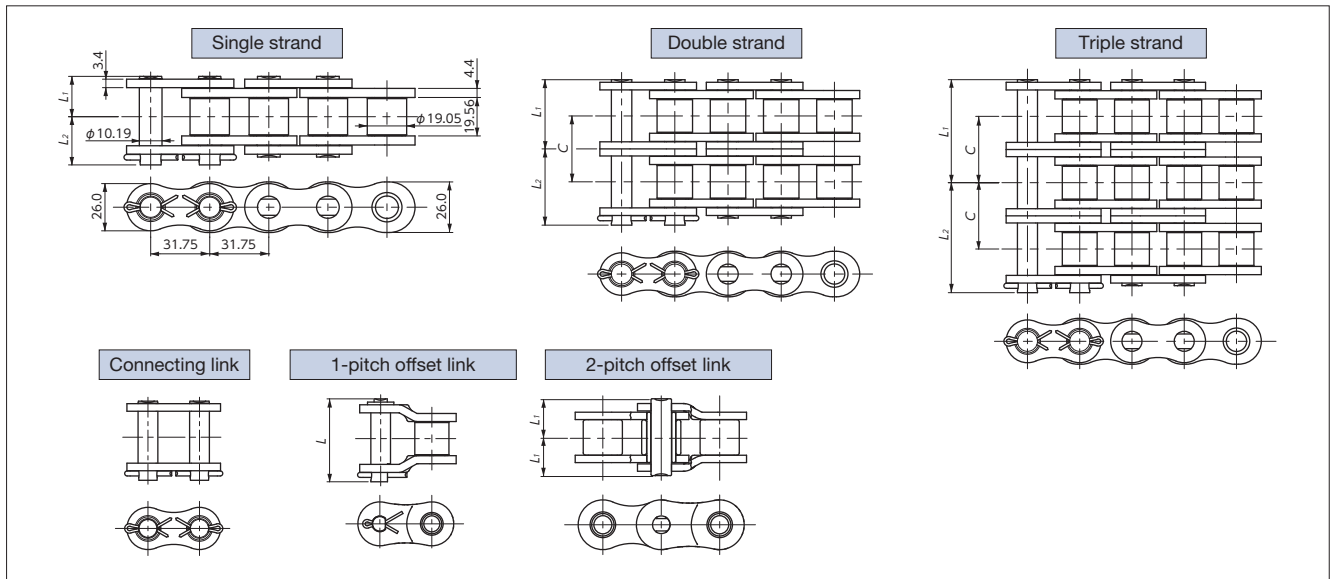
No. of teeth	2B/2C bore dia. ($\phi 30$)
40	242
42	258
45	283
48	307
50	323
54	355
60	404

Model numbering example



Hardened teeth model numbering example





Specifications

Size	Number of strands	Dimensions L ₁	Dimensions L ₂	Offset pin length L	Transverse pitch C	Min. tensile strength kN{kgf}	ISO "B" tensile strength kN{kgf}	Max. allowable load kN{kgf}	Approx. mass kg/m
RS20B	1	19.9	23.1	46.6		98.1 {10000}	95.0 {9690}	18.4 {1880}	3.85
	2	38.25	41.45	84.6	36.45	197 {20100}	170 {17300}	31.3 {3190}	7.65
	3	56.5	59.7	121.0		295 {30100}	250 {25500}	46.0 {4690}	11.45

Note: 1. Maximum allowable load when using one-pitch and two-pitch offset links is 60% of the above.
 2. Number of links per unit = 96. Items in bold are stocked in units.

RS20B Maximum kilowatt ratings table (kW ratings for single strand chain)

Small sprocket max rpm	Small sprocket max rpm																									
	A I						A II						B						C							
	10	25	50	100	150	200	300	400	500	600	700	800	900	1000	1100	1200	1300	1400	1600	1800	2000	2200	2400	2600		
9	0.62	1.42	2.65	4.94	7.12	9.23	13.3	17.2	21.0	24.8	22.1	18.1	15.2	12.9	11.2	9.85	8.73	7.82	6.40	5.36	4.58	3.97	3.48	3.09		
10	0.70	1.59	2.97	5.54	7.98	10.3	14.9	19.3	23.6	27.8	25.9	21.2	17.8	15.2	13.1	11.5	10.2	9.15	7.49	6.28	5.36	4.65	4.08	3.62		
11	0.77	1.76	3.29	6.14	8.84	11.5	16.5	21.4	26.1	30.8	29.9	24.4	20.5	17.5	15.2	13.3	11.8	10.6	8.64	7.24	6.18	5.36	4.70	4.17		
12	0.85	1.94	3.61	6.75	9.72	12.6	18.1	23.5	28.7	33.8	34.0	27.9	23.3	19.9	17.3	15.2	13.4	12.0	9.85	8.25	7.05	6.11	5.36	1.76		
13	0.93	2.11	3.94	7.35	10.6	13.7	19.8	25.6	31.3	36.9	38.4	31.4	26.3	22.5	19.5	17.1	15.2	13.6	11.1	9.31	7.95	6.89	6.04			
14	1.00	2.29	4.27	7.97	11.5	14.9	21.4	27.7	33.9	40.0	42.9	35.1	29.4	25.1	21.8	19.1	16.9	15.2	12.4	10.4	8.88	7.70	6.76			
15	1.08	2.46	4.60	8.58	12.4	16.0	23.1	29.9	36.5	43.1	47.6	38.9	32.6	27.9	24.1	21.2	18.8	16.8	13.8	11.5	9.85	8.54	7.49			
16	1.16	2.64	4.93	9.20	13.3	17.2	24.7	32.0	39.2	46.2	52.4	42.9	35.9	30.7	26.6	23.3	20.7	18.5	15.2	12.7	10.8	9.40	8.25			
17	1.24	2.82	5.27	9.83	14.2	18.3	26.4	34.2	41.8	49.3	56.6	47.0	39.4	33.6	29.1	25.6	22.7	20.3	16.6	13.9	11.9	10.3	9.04			
18	1.32	3.00	5.60	10.5	15.1	19.5	28.1	36.4	44.5	52.4	60.2	51.2	42.9	36.6	31.7	27.9	24.7	22.1	18.1	15.2	12.9	11.2	1.81			
19	1.39	3.18	5.94	11.1	16.0	20.7	29.8	38.6	47.2	55.6	63.8	55.5	46.5	39.7	34.4	30.2	26.8	24.0	19.6	16.4	14.0	12.2				
20	1.47	3.36	6.28	11.7	16.9	21.9	31.5	40.8	49.8	58.7	67.5	59.9	50.2	42.9	37.2	32.6	28.9	25.9	21.2	17.8	15.2	13.1				
21	1.55	3.54	6.62	12.3	17.8	23.0	33.2	43.0	52.5	61.9	71.1	64.5	54.0	46.1	40.0	35.1	31.1	27.9	22.8	19.1	16.3	14.1				
22	1.63	3.73	6.96	13.0	18.7	24.2	34.9	45.2	55.3	65.1	74.8	69.1	57.9	49.5	42.9	37.6	33.4	29.9	24.4	20.5	17.5	15.2				
23	1.71	3.91	7.30	13.6	19.6	25.4	36.6	47.4	58.0	68.3	78.5	73.9	61.9	52.9	45.8	40.2	35.7	31.9	26.1	21.9	18.7	15.5				
24	1.80	4.09	7.64	14.3	20.5	26.6	38.3	49.7	60.7	71.5	82.2	78.8	66.0	56.4	48.9	42.9	38.0	34.0	27.9	23.3	19.9	6.46				
25	1.88	4.28	7.99	14.9	21.5	27.8	40.1	51.9	63.4	74.7	85.9	83.8	70.2	59.9	51.9	45.6	40.4	36.2	29.6	24.8	21.2					
26	1.96	4.46	8.33	15.5	22.4	29.0	41.8	54.1	66.2	78.0	89.6	88.8	74.4	63.6	55.1	48.4	42.9	38.4	31.4	26.3	22.5					
28	2.12	4.84	9.03	16.8	24.3	31.4	45.3	58.6	71.7	84.5	97.0	99.3	83.2	71.0	61.6	54.0	47.9	42.9	35.1	29.4	25.1					
30	2.28	5.21	9.72	18.1	26.1	33.9	48.8	63.2	77.2	91.0	105	110	92.3	78.8	68.3	59.9	53.2	47.6	38.9	32.6	19.0					
32	2.45	5.59	10.4	19.5	28.0	36.3	52.3	67.7	82.8	97.6	112	121	102	86.8	75.2	66.0	58.6	52.4	42.9	35.9						
35	2.70	6.15	11.5	21.4	30.9	40.0	57.6	74.6	91.2	107	123	139	116	99.3	86.1	75.5	67.0	59.9	49.1	41.1						
40	3.12	7.11	13.3	24.8	35.7	46.2	66.5	86.2	105	124	143	161	142	121	105	92.3	81.8	73.2	59.9							
45	3.54	8.07	15.1	28.1	40.5	52.5	75.6	97.9	120	141	162	183	170	145	125	110	97.6	87.4	42.7							

Note: 1. kW ratings when using offset links are 80% of the above.
 2. Please contact a Tsubaki representative prior to use of kW ratings in the shaded area of the table.

Multi-strand factors

Number of chain strands	Two strands	Three strands
Multi-strand factor	1.7	2.5

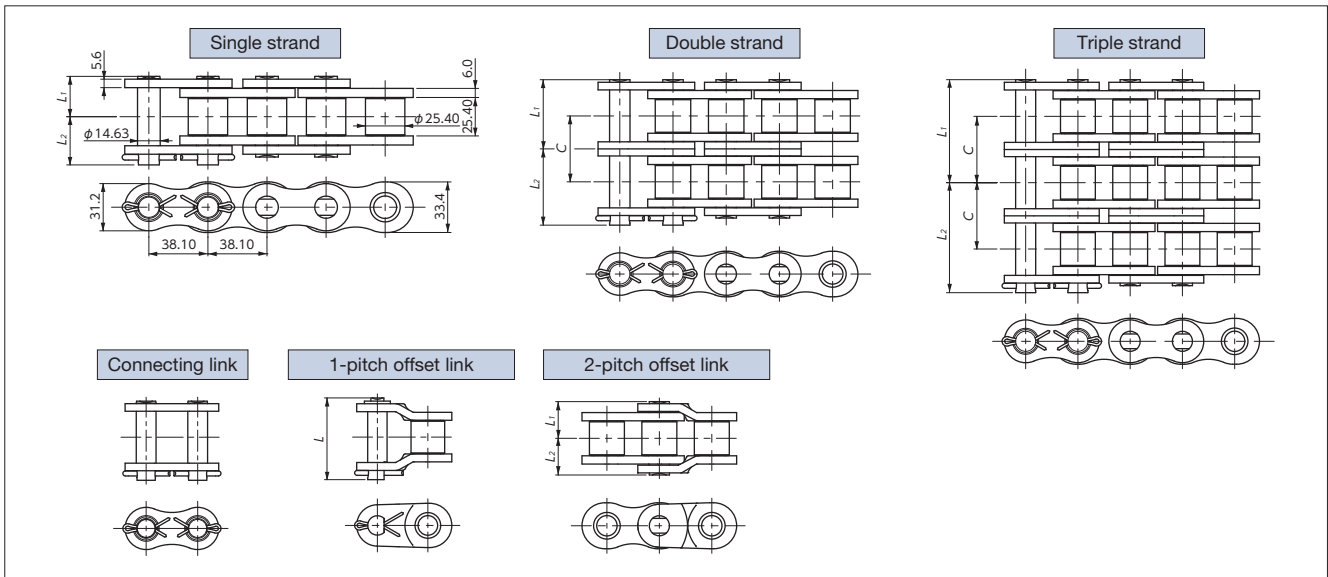
Lubrication systems and methods

Lubrication system	A I	A II	B	C	Details on pg. 216
Method	Manual lubrication	Drip lubrication	Oil bath or slinger disc lubrication	Forced pump lubrication	

Model numbering example **RS20B -1 -RP + 86L -MWJR**

Size Number of strands Pin type Number of links End link

Note: Standard roller chains do not require series selection.



Specifications

Size	Number of strands	Dimensions L_1	Dimensions L_2	Offset pin length L	Transverse pitch C	Min. tensile strength kN{kgf}	ISO "B" tensile strength kN{kgf}	Max. allowable load kN{kgf}	Approx. mass kg/m
RS24B	1	26.65	31.85	61.7		167 {17000}	160 {16300}	27.1 {2760}	7.45
	2	50.8	56.0	112.8	48.36	335 {34100}	280 {28600}	46.1 {4700}	14.65
	3	75.1	80.2	161.1		500 {51000}	425 {43300}	67.8 {6910}	21.75

- Note: 1. The thickness of the middle plate differs from T_1 and T_2 due to the C dimension.
 2. Maximum allowable load when using one-pitch and two-pitch offset links is 60% of the above.
 3. Number of links per unit = 80. Items in bold are stocked in units.

RS24B Maximum kilowatt ratings table (kW ratings for single strand chain)

Small sprocket no. of teeth	Small sprocket max rpm																								
	10	25	50	100	150	200	300	400	500	600	700	800	900	1000	1100	1200	1300	1400	1500	1600	1700	1800	1900	2000	2100
	A I		A II		B						C														
9	1.10	2.51	4.68	8.74	12.6	16.3	23.5	30.4	37.2	32.2	25.6	20.9	17.5	15.0	13.0	11.4	10.1	9.04	8.15	7.40	6.76	6.20	5.72	5.30	3.57
10	1.23	2.81	5.25	9.79	14.1	18.3	26.3	34.1	41.7	37.7	30.0	24.5	20.5	17.5	15.2	13.3	11.8	10.6	9.55	8.67	7.91	7.26	6.70	6.20	
11	1.37	3.12	5.82	10.9	15.6	20.3	29.2	37.8	46.2	43.5	34.6	28.3	23.7	20.2	17.5	15.4	13.7	12.2	11.0	10.0	9.13	8.38	7.73	7.16	
12	1.50	3.42	6.39	11.9	17.2	22.2	32.0	41.5	50.7	49.6	39.4	32.2	27.0	23.1	20.0	17.5	15.6	13.9	12.6	11.4	10.4	9.55	8.81	8.15	
13	1.64	3.73	6.97	13.0	18.7	24.3	34.9	45.3	55.3	55.9	44.4	36.3	30.5	26.0	22.5	19.8	17.5	15.7	14.2	12.8	11.7	10.8	9.93	4.00	
14	1.77	4.04	7.55	14.1	20.3	26.3	37.8	49.0	59.9	62.5	49.6	40.6	34.0	29.1	25.2	22.1	19.6	17.5	15.8	14.4	13.1	12.0	11.1		
15	1.91	4.36	8.13	15.2	21.9	28.3	40.8	52.8	64.6	69.3	55.0	45.0	37.7	32.2	27.9	24.5	21.7	19.5	17.5	15.9	14.5	13.3	12.3		
16	2.05	4.67	8.72	16.3	23.4	30.4	43.7	56.6	69.2	76.4	60.6	49.6	41.6	35.5	30.8	27.0	24.0	21.4	19.3	17.5	16.0	14.7	11.3		
17	2.19	4.99	9.31	17.4	25.0	32.4	46.7	60.5	73.9	83.7	66.4	54.3	45.5	38.9	33.7	29.6	26.2	23.5	21.2	19.2	17.5	16.1	5.18		
18	2.33	5.30	9.90	18.5	26.6	34.5	49.6	64.3	78.6	91.2	72.3	59.2	49.6	42.4	36.7	32.2	28.6	25.6	23.1	20.9	19.1	17.5			
19	2.47	5.62	10.5	19.6	28.2	36.5	52.6	68.2	83.4	98.2	78.4	64.2	53.8	45.9	39.8	35.0	31.0	27.7	25.0	22.7	20.7	19.0			
20	2.61	5.94	11.1	20.7	29.8	38.6	55.6	72.1	88.1	104	84.7	69.3	58.1	49.6	43.0	37.7	33.5	30.0	27.0	24.5	22.4	15.3			
21	2.75	6.27	11.7	21.8	31.4	40.7	58.6	76.0	92.9	109	91.2	74.6	62.5	53.4	46.3	40.6	36.0	32.2	29.1	26.4	24.1	8.05			
22	2.89	6.59	12.3	22.9	33.0	42.8	61.7	79.9	97.7	115	97.7	80.0	67.0	57.2	49.6	43.5	38.6	34.6	31.2	28.3	25.8	0.02			
23	3.03	6.91	12.9	24.1	34.7	44.9	64.7	83.8	102	121	104	85.5	71.7	61.2	53.0	46.6	41.3	36.9	33.3	30.2	27.6				
24	3.17	7.24	13.5	25.2	36.3	47.0	67.7	87.8	107	126	111	91.2	76.4	65.2	56.5	49.6	44.0	39.4	35.5	32.2	21.6				
25	3.32	7.56	14.1	26.3	37.9	49.1	70.8	91.7	112	132	118	96.9	81.2	69.3	60.1	52.8	46.8	41.9	37.7	34.3	13.5				
26	3.46	7.89	14.7	27.5	39.6	51.3	73.9	95.7	117	138	126	103	86.1	73.5	63.7	55.9	49.6	44.4	40.0	36.3	4.6				
28	3.75	8.55	16.0	29.8	42.9	55.5	80.0	104	127	149	140	115	96.3	82.2	71.2	62.5	55.5	49.6	44.7	31.0					
30	4.04	9.21	17.2	32.1	46.2	59.8	86.2	112	137	161	156	127	107	91.2	79.0	69.3	61.5	55.0	49.6	12.8					
32	4.33	9.87	18.4	34.4	49.5	64.2	92.4	120	146	172	171	140	118	100	87.0	76.4	67.8	60.6	44.1						
35	4.77	10.9	20.3	37.9	54.6	70.7	102	132	161	190	196	161	135	115	99.6	87.4	77.5	69.3	14.8						
40	5.51	12.6	23.4	43.8	63.0	81.6	118	152	186	219	240	196	164	140	122	107	83.7	20.8							
45	6.26	14.3	26.6	49.7	71.6	92.7	134	173	212	249	286	234	196	167	145	102	32.0								

- Note: 1. kW ratings when using offset links are 80% of the above.
 2. Please contact a Tsubaki representative prior to use of kW ratings in the shaded area of the table.

Multi-strand factors

Number of chain strands	Two strands	Three strands
Multi-strand factor	1.7	2.5

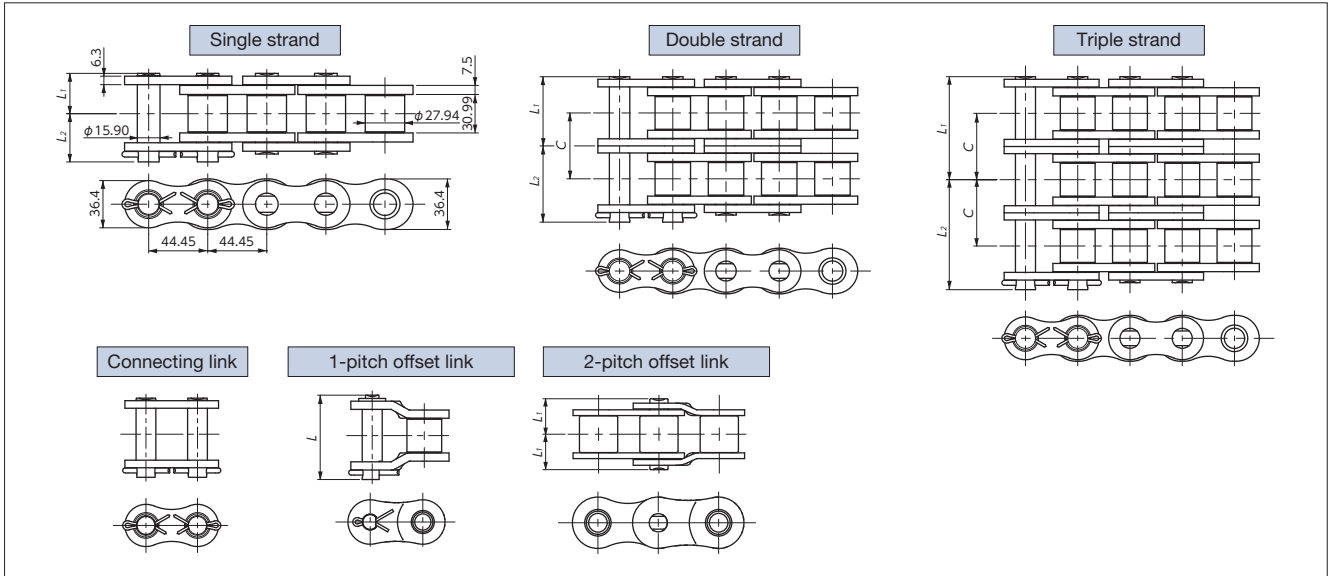
Lubrication systems and methods

Lubrication system	A I	A II	B	C	Details on pg. 216
Method	Manual lubrication	Drip lubrication	Oil bath or slinger disc lubrication	Forced pump lubrication	

Model numbering example RS24B -1 -RP + 70L -MWJR

Size Number of strands Pin type Number of links End link

Note: Standard roller chains do not require series selection.



Specifications

Size	Number of strands	Dimensions L ₁	Dimensions L ₂	Offset pin length L	Transverse pitch C	Min. tensile strength kN{kgf}	ISO "B" tensile strength kN{kgf}	Max. allowable load kN{kgf}	Approx. mass kg/m
RS28B	1	32.45	37.45	74.4		200 {20400}	200 {20400}	37.5 {3820}	9.45
	2	62.15	67.15	136.6	59.56	374 {38100}	360 {36700}	63.8 {6510}	18.80
	3	91.95	96.95	195.9		560 {57100}	530 {54000}	93.8 {9570}	28.20

- Note: 1. Maximum allowable load when using one-pitch and two-pitch offset links is 60% of the above.
 2. The thickness of the middle plate differs from T₁ and T₂ due to the C dimension.
 3. Number of links per unit = 68. Items in bold are stocked in units.

RS28B Maximum kilowatt ratings table (kW ratings for single strand chain)

Lubrication Small sprocket max rpm No. of teeth	Small sprocket max rpm																								
	A I					A II					B					C									
	10	25	50	100	150	200	250	300	350	400	450	500	550	600	700	800	900	1000	1100	1200	1300	1400	1500	1600	1700
9	1.78	4.05	7.56	14.1	20.3	26.3	32.2	37.9	43.6	49.1	54.6	47.9	41.5	36.5	28.9	23.7	19.8	16.9	14.7	12.9	11.4	10.2	9.22	8.37	2.37
10	1.99	4.54	8.47	15.8	22.8	29.5	36.1	42.5	48.8	55.0	61.2	56.1	48.7	42.7	33.9	27.7	23.2	19.8	17.2	15.1	13.4	12.0	10.8	9.81	
11	2.21	5.03	9.39	17.5	25.2	32.7	40.0	47.1	54.1	61.0	67.8	64.8	56.1	49.3	39.1	32.0	26.8	22.9	19.8	17.4	15.4	13.8	12.5	11.3	
12	2.42	5.53	10.3	19.2	27.7	35.9	43.9	51.7	59.4	67.0	74.5	73.8	64.0	56.1	44.5	36.5	30.6	26.1	22.6	19.8	17.6	15.7	14.2	12.1	
13	2.64	6.03	11.2	21.0	30.2	39.2	47.9	56.4	64.8	73.1	81.2	83.2	72.1	63.3	50.2	41.1	34.5	29.4	25.5	22.4	19.8	17.8	16.0	8.18	
14	2.86	6.53	12.2	22.7	32.7	42.4	51.9	61.1	70.2	79.2	88.0	93.0	80.6	70.7	56.1	45.9	38.5	32.9	28.5	25.0	22.2	19.8	17.9	3.47	
15	3.08	7.03	13.1	24.5	35.3	45.7	55.9	65.8	75.6	85.3	94.8	103	89.4	78.4	62.3	51.0	42.7	36.5	31.6	27.7	24.6	22.0	19.8		
16	3.31	7.54	14.1	26.3	37.8	49.0	59.9	70.6	81.1	91.4	102	112	98.5	86.4	68.6	56.1	47.0	40.2	34.8	30.6	27.1	24.2	21.9		
17	3.53	8.05	15.0	28.0	40.4	52.3	64.0	75.4	86.6	97.6	109	119	108	94.6	75.1	61.5	51.5	44.0	38.1	33.5	29.7	26.6	18.1		
18	3.75	8.56	16.0	29.8	43.0	55.6	68.0	80.2	92.1	104	115	127	117	103	81.8	67.0	56.1	47.9	41.5	36.5	32.3	28.9	12.7		
19	3.98	9.08	16.9	31.6	45.5	59.0	72.1	85.0	97.6	110	122	135	127	112	88.7	72.6	60.9	52.0	45.1	39.5	35.1	31.4	6.60		
20	4.21	9.60	17.9	33.4	48.1	62.4	76.2	89.8	103	116	129	142	138	121	95.8	78.4	65.7	56.1	48.7	42.7	37.9	33.9			
21	4.43	10.1	18.9	35.2	50.7	65.7	80.3	94.7	109	123	136	150	148	130	103	84.4	70.7	60.4	52.3	45.9	40.7	32.7			
22	4.66	10.6	19.8	37.0	53.3	69.1	84.5	100	114	129	143	158	159	139	111	90.5	75.8	64.8	56.1	49.3	43.7	26.9			
23	4.89	11.2	20.8	38.9	56.0	72.5	88.6	104	120	135	150	165	170	149	118	96.7	81.1	69.2	60.0	52.7	46.7	20.4			
24	5.12	11.7	21.8	40.7	58.6	75.9	92.8	109	126	142	158	173	181	159	126	103	86.4	73.8	64.0	56.1	49.8	13.3			
25	5.35	12.2	22.8	42.5	61.2	79.3	97.0	114	131	148	165	181	192	169	134	110	91.9	78.4	68.0	59.7	52.5	5.51			
26	5.58	12.7	23.8	44.4	63.9	82.8	101	119	137	154	172	189	204	179	142	116	97.4	83.2	72.1	63.3	46.6				
28	6.05	13.8	25.8	48.1	69.2	89.7	110	129	148	167	186	205	223	200	159	130	109	93.0	80.6	70.7	32.8				
30	6.52	14.9	27.7	51.8	74.6	96.6	118	139	160	180	200	220	240	222	176	144	121	103	89.4	71.9	16.5				
32	6.99	15.9	29.7	55.5	80.0	104	127	149	171	193	215	236	257	244	194	159	133	114	98.5	58.4					
35	7.70	17.6	32.8	61.2	88.1	114	139	164	189	213	237	260	284	280	222	182	152	130	96.9	33.8					
40	8.89	20.3	37.9	70.6	102	132	161	190	218	246	273	301	328	318	271	222	186	128	58.2						
45	10.1	23.0	43.0	80.2	116	150	183	216	248	279	311	341	341	326	284	230	165	90.3	6.45						

- Note: 1. kW ratings when using offset links are 80% of the above.
 2. Please contact a Tsubaki representative prior to use of kW ratings in the shaded area of the table.

Multi-strand factors

Number of chain strands	Two strands	Three strands
Multi-strand factor	1.7	2.5

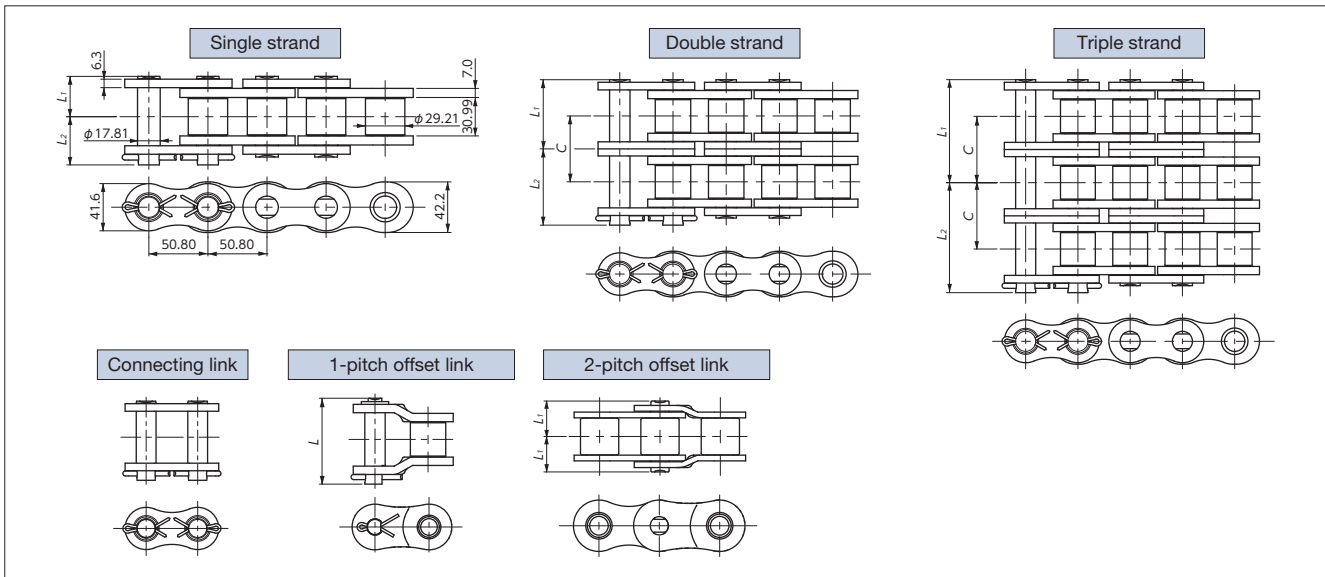
Lubrication systems and methods

Lubrication system	AI	A II	B	C	Details on pg. 216
Method	Manual lubrication	Drip lubrication	Oil bath or slinger disc lubrication	Forced pump lubrication	

Model numbering example RS28B -1 -RP + 58L -MWJR

Size Number of strands Pin type Number of links End link

Note: Standard roller chains do not require series selection.



Specifications

Size	Number of strands	Dimensions L ₁	Dimensions L ₂	Offset pin length L	Transverse pitch C	Min. tensile strength kN{kgf}	ISO "B" tensile strength kN{kgf}	Max. allowable load kN{kgf}	Approx. mass kg/m
RS32B	1	32.1	37.7	73.3		255 {26000}	250 {25500}	41.0 {4180}	10.25
	2	61.25	66.85	134.5	58.55	485 {49500}	450 {45900}	69.7 {7110}	20.10
	3	90.5	96.1	192.6		729 {74300}	670 {68300}	103 {10500}	29.90

Note: 1. Maximum allowable load when using one-pitch and two-pitch offset links is 60% of the above.
 2. Number of links per unit = 60. Items in bold are stocked in units.

RS32B Maximum kilowatt ratings table (kW ratings for single strand chain)

Lubrication Small sprocket no. of teeth	Small sprocket max rpm																							
	10	25	50	100	150	200	250	300	350	400	450	500	550	600	650	700	750	800	850	900	1000	1100	1200	1300
	A I		A II		B								C											
9	2.22	5.06	9.45	17.6	25.4	32.9	40.2	47.4	54.4	61.4	62.5	53.3	46.2	40.6	36.0	32.2	29.0	26.4	24.1	22.1	18.9	16.3	14.3	12.7
10	2.49	5.67	10.6	19.7	28.4	36.9	45.1	53.1	61.0	68.8	73.2	62.5	54.1	47.5	42.1	37.7	34.0	30.9	28.2	25.9	22.1	19.1	16.8	14.9
11	2.76	6.29	11.7	21.9	31.5	40.8	49.9	58.8	67.6	76.2	84.4	72.1	62.5	54.8	48.6	43.5	39.2	35.6	32.5	29.8	25.5	22.1	19.4	17.2
12	3.03	6.91	12.9	24.0	34.6	44.9	54.9	64.6	74.3	83.7	93.1	82.1	71.2	62.5	55.4	49.6	44.7	40.6	37.0	34.0	29.0	25.2	22.1	16.8
13	3.30	7.53	14.1	26.2	37.8	48.9	59.8	70.5	81.0	91.3	102	92.6	80.2	70.4	62.5	55.9	50.4	45.7	41.8	38.3	32.7	28.4	24.9	13.8
14	3.58	8.16	15.2	28.4	40.9	53.0	64.8	76.3	87.7	98.9	110	103	89.7	78.7	69.8	62.5	56.3	51.1	46.7	42.8	36.6	31.7	27.8	10.1
15	3.85	8.79	16.4	30.6	44.1	57.1	69.8	82.3	94.5	107	118	115	100	87.3	77.4	69.3	62.5	56.7	51.8	47.5	40.6	35.2	30.9	5.67
16	4.13	9.42	17.6	32.8	47.3	61.2	74.8	88.2	101	114	127	126	110	96.2	85.3	76.3	68.8	62.5	57.0	52.3	44.7	38.7	34.0	0.57
17	4.41	10.1	18.8	35.0	50.5	65.4	79.9	94.2	108	122	136	138	120	105	93.4	83.6	75.4	68.4	62.5	57.3	48.9	42.4	32.1	
18	4.69	10.7	20.0	37.3	53.7	69.5	85.0	100	115	130	144	151	131	115	102	91.1	82.1	74.5	68.1	62.5	53.3	46.2	28.3	
19	4.97	11.3	21.2	39.5	56.9	73.7	90.1	106	122	138	153	164	142	124	110	98.8	89.0	80.8	73.8	67.7	57.8	50.1	23.8	
20	5.26	12.0	22.4	41.8	60.1	77.9	95.2	112	129	145	162	177	153	134	119	107	96.2	87.3	79.7	73.2	62.5	54.1	18.8	
21	5.54	12.6	23.6	44.0	63.4	82.1	100	118	136	153	170	187	165	145	128	115	103	93.9	85.8	78.7	67.2	57.4	13.1	
22	5.83	13.3	24.8	46.3	66.7	86.4	106	124	143	161	179	197	177	155	138	123	111	101	92.0	84.4	72.1	53.7	6.77	
23	6.11	13.9	26.0	48.6	69.9	90.6	111	131	150	169	188	207	189	166	147	132	119	108	98.3	90.2	77.0	49.5		
24	6.40	14.6	27.2	50.8	73.2	94.9	116	137	157	177	197	216	201	177	157	140	126	115	105	96.2	82.1	44.7		
25	6.69	15.3	28.5	53.1	76.5	99.1	121	143	164	185	206	226	214	188	167	149	134	122	111	102	87.3	39.4		
26	6.98	15.9	29.7	55.4	79.8	103	126	149	171	193	215	236	227	199	177	158	143	129	118	108	86.3	33.4		
28	7.56	17.2	32.2	60.0	86.5	112	137	161	185	209	232	256	251	223	197	177	159	145	132	121	78.2	19.8		
30	8.14	18.6	34.7	64.7	93.2	121	148	174	200	225	250	269	260	247	219	196	177	160	146	125	68.0	3.84		
32	8.73	19.9	37.2	69.4	100	129	158	186	214	242	269	278	268	255	239	216	195	174	147	119	55.7			
35	9.6	21.9	40.9	76.4	110	143	174	205	236	266	296	291	278	262	243	221	195	168	137	105	33.3			
40	11.1	25.3	47.3	88.3	127	165	201	237	273	307	318	306	289	268	243	215	184	150	112	72.6				
45	12.6	28.8	53.7	100	144	187	229	269	310	342	331	314	293	266	235	201	163	121	76.2	28.4				

Note: 1. kW ratings when using offset links are 80% of the above.
 2. Please contact a Tsubaki representative prior to use of kW ratings in the shaded area of the table.

Multi-strand factors

Number of chain strands	Two strands	Three strands
Multi-strand factor	1.7	2.5

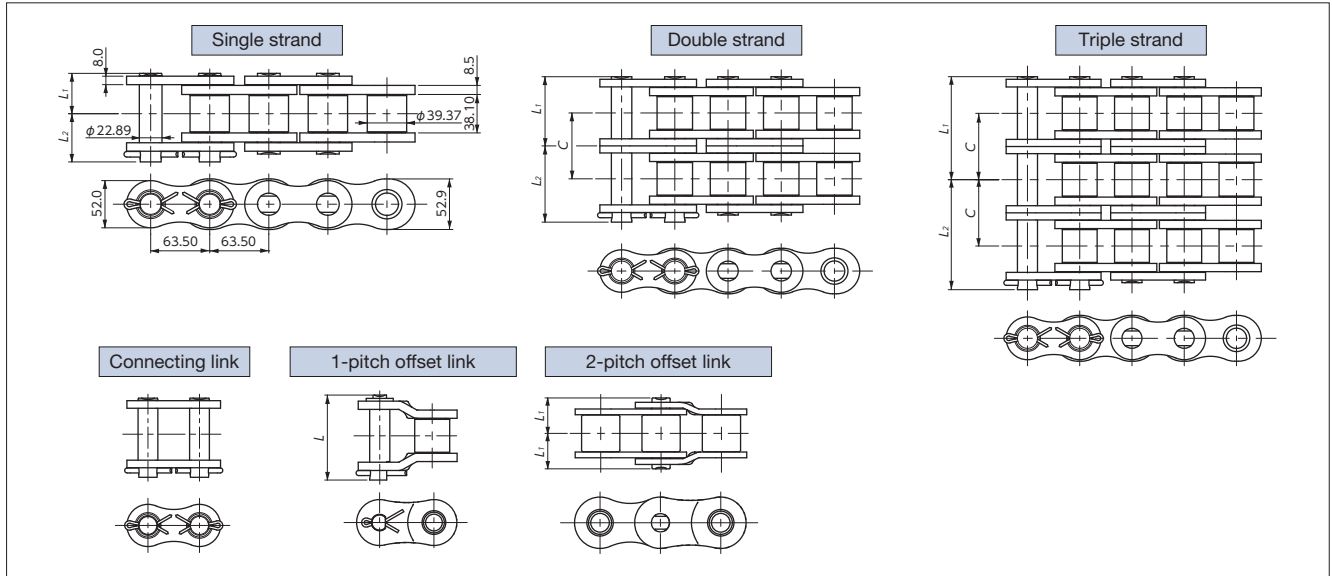
Lubrication systems and methods

Lubrication system	AI	A II	B	C	Details on pg. 216
Method	Manual lubrication	Drip lubrication	Oil bath or slinger disc lubrication	Forced pump lubrication	

Model numbering example RS32B -1 -RP + 50L -MWJR

Size Number of strands Pin type Number of links End link

Note: Standard roller chains do not require series selection.



Specifications

Size	Number of strands	Dimensions L ₁	Dimensions L ₂	Offset pin length L	Transverse pitch C	Min. tensile strength kN{kgf}	ISO "B" tensile strength kN{kgf}	Max. allowable load kN{kgf}	Approx. mass kg/m
RS40B	1	39.25	45.05	88.6	72.29	373 {38000}	355 {36200}	51.0{5200}	16.35
	2	75.4	81.2	163.2		716 {73000}	630 {64200}	86.7{8840}	32.00
	3	111.5	117.3	235.3		1080{110000}	950 {96900}	128 {13100}	47.75

Note: 1. Maximum allowable load when using one-pitch and two-pitch offset links is 60% of the above.
 2. Number of links per unit = 48.

RS40B Maximum kilowatt ratings table (kW ratings for single strand chain)

Small sprocket no. of teeth	Small sprocket max rpm																			
	10	15	20	30	40	50	70	100	150	200	250	300	350	400	450	500	550	600	650	
	A I			A II				B					C							
9	3.45	4.97	6.44	9.27	12.0	14.7	19.9	27.4	39.5	51.1	62.5	73.7	84.6	89.1	74.7	63.8	55.3	48.5	43.0	
10	3.87	5.57	7.21	10.4	13.5	16.5	22.3	30.7	44.2	57.3	70.0	82.5	94.8	101	87.5	74.7	64.7	56.8	50.4	
11	4.29	6.17	8.00	11.5	14.9	18.2	24.7	34.0	49.0	63.5	77.6	91.5	105	110	101	86.1	74.7	65.5	58.1	
12	4.71	6.78	8.78	12.7	16.4	20.0	27.1	37.4	53.9	69.8	85.3	101	116	118	115	98.2	85.1	74.7	66.2	
13	5.13	7.39	9.58	13.8	17.9	21.8	29.6	40.8	58.7	76.1	93.0	110	126	127	122	111	95.9	84.2	74.7	
14	5.56	8.01	10.4	14.9	19.4	23.7	32.0	44.2	63.6	82.4	101	119	136	135	130	123	107	94.1	83.4	
15	5.99	8.63	11.2	16.1	20.9	25.5	34.5	47.6	68.5	88.8	109	128	145	142	137	129	119	104	92.5	
16	6.42	9.25	12.0	17.3	22.4	27.3	37.0	51.0	73.5	95.2	116	137	153	150	144	135	125	112	96.7	
17	6.86	9.88	12.8	18.4	23.9	29.2	39.5	54.5	78.5	102	124	146	160	157	150	141	129	115	99.2	
18	7.29	10.5	13.6	19.6	25.4	31.0	42.0	57.9	83.5	108	132	156	168	164	157	147	134	119	101	
19	7.73	11.1	14.4	20.8	26.9	32.9	44.6	61.4	88.5	115	140	165	175	171	163	152	138	122	103	
20	8.17	11.8	15.3	22.0	28.5	34.8	47.1	64.9	93.5	121	148	175	182	177	168	156	142	124	104	
21	8.61	12.4	16.1	23.2	30.0	36.7	49.6	68.4	98.6	128	156	184	189	183	174	161	145	126	105	
22	9.06	13.0	16.9	24.3	31.5	38.6	52.2	72.0	104	134	164	193	195	189	179	165	148	128	106	
23	9.50	13.7	17.7	25.5	33.1	40.5	54.8	75.5	109	141	172	203	202	195	184	169	151	130	106	
24	10.0	14.3	18.6	26.7	34.7	42.4	57.3	79.0	114	148	180	210	208	200	188	173	153	131	105	
25	10.4	15.0	19.4	28.0	36.2	44.3	59.9	82.6	119	154	188	217	214	205	193	176	155	132	105	
26	10.8	15.6	20.2	29.2	37.8	46.2	62.5	86.2	124	161	197	223	219	210	197	179	157	132	104	

Note: 1. kW ratings when using offset links are 80% of the above.
 2. Please contact a Tsubaki representative prior to use of kW ratings in the shaded area of the table.

Multi-strand factors

Number of chain strands	Two strands	Three strands
Multi-strand factor	1.7	2.5

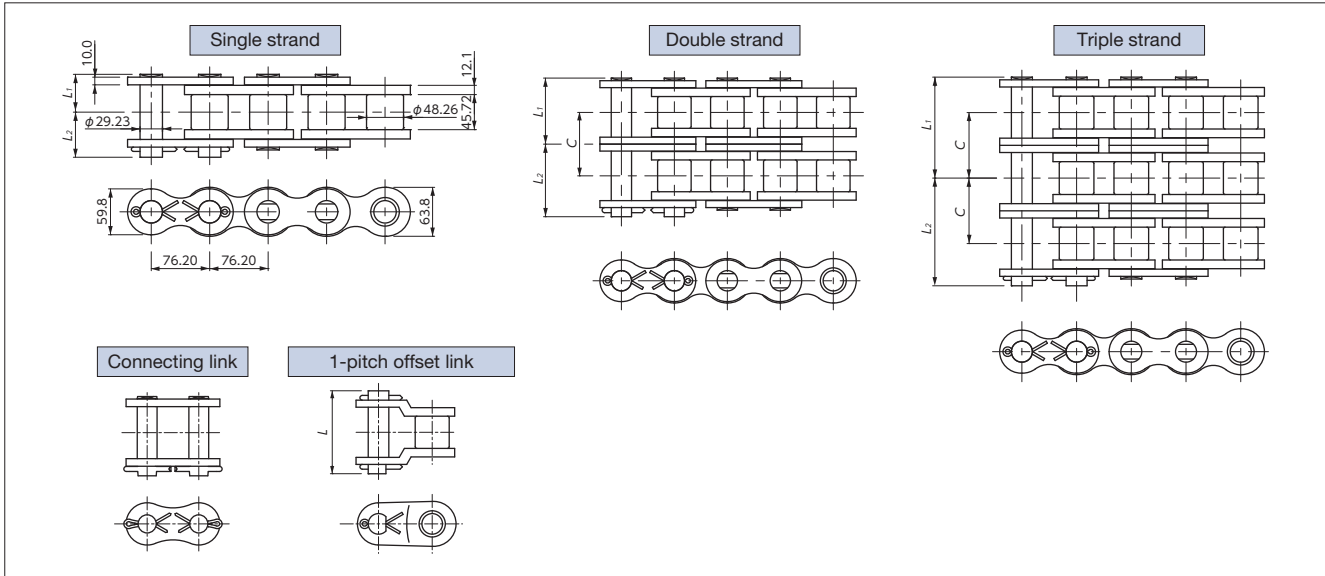
Lubrication systems and methods

Lubrication system	A I	A II	B	C	Details on pg. 216
Method	Manual lubrication	Drip lubrication	Oil bath or slinger disc lubrication	Forced pump lubrication	

Model numbering example RS40B -1 -RP + 38L -MWJR

Size: RS40B, Number of strands: -1, Pin type: -RP, Number of links: +38L, End link: -MWJR

Note: Standard roller chains do not require series selection.



Specifications

Size	Number of strands	Dimensions L_1	Dimensions L_2	Offset pin length L	Transverse pitch C	Min. tensile strength kN{kgf}	ISO "B" tensile strength kN{kgf}	Max. allowable load kN{kgf}	Approx. mass kg/m
RS48B	1	49.3	58.8	117.7		565 {57600}	560 {57100}	77.0{7850}	25.00
	2	95.0	104.4	209.0	91.21	1000{102000}	1000{102000}	131 {13400}	50.00
	3	140.6	150.0	300.2		1520{155000}	1500{153000}	193 {19700}	75.00

Note: 1. Maximum allowable load when using one-pitch and two-pitch offset links is 60% of the above.
 Maximum allowable load when using connecting links is 80% of the above.
 2. Number of links per unit = 40.

RS48B Maximum kilowatt ratings table (kW ratings for single strand chain)

Small sprocket max rpm	Small sprocket max rpm																			
	5	10	15	20	25	30	40	50	60	80	100	125	150	175	200	250	300	350	400	450
Lubrication	A I				A II				B								C			
	Small sprocket no. of teeth	9	10	11	12	13	14	15	16	17	18	19	20	21	22	23	24	25	26	
9	3.35	6.25	9.00	11.7	14.3	16.8	21.8	26.6	31.4	40.6	49.7	60.7	71.5	76.2	78.6	80.5	79.2	75.2	69.0	60.7
10	3.75	7.00	10.1	13.1	16.0	18.8	24.4	29.8	35.1	45.5	55.6	68.0	80.1	84.1	86.6	88.5	86.9	82.3	75.2	65.8
11	4.16	7.76	11.2	14.5	17.7	20.9	27.0	33.0	38.9	50.4	61.7	75.4	87.6	91.7	94.5	96.4	94.4	89.1	81.1	70.6
12	4.57	8.53	12.3	15.9	19.5	22.9	29.7	36.3	42.8	55.4	67.7	82.8	94.9	99.3	102	104	102	95.7	86.7	75.0
13	4.98	9.30	13.4	17.4	21.2	25.0	32.4	39.6	46.6	60.4	73.9	90.3	102	107	110	112	109	102	92.0	79.1
14	5.40	10.1	14.5	18.8	23.0	27.1	35.1	42.9	50.5	65.5	80.0	97.8	109	114	117	119	115	108	97.0	82.9
15	5.82	10.9	15.6	20.3	24.8	29.2	37.8	46.2	54.4	70.5	86.2	105	116	121	124	126	122	114	102	86.3
16	6.24	11.6	16.8	21.7	26.5	31.3	40.5	49.5	58.4	75.6	92.4	113	123	128	132	133	128	119	106	89.4
17	6.66	12.4	17.9	23.2	28.3	33.4	43.3	52.9	62.3	80.7	98.7	121	130	135	138	140	135	125	110	92.2
18	7.08	13.2	19.0	24.7	30.1	35.5	46.0	56.3	66.3	85.9	105	128	136	142	145	146	141	130	114	94.6
19	7.51	14.0	20.2	26.1	32.0	37.7	48.8	59.6	70.3	91.0	111	134	143	149	152	152	146	134	118	96.7
20	7.93	14.8	21.3	27.6	33.8	39.8	51.6	63.0	74.3	96.2	118	141	149	155	158	159	152	139	121	98.5
21	8.36	15.6	22.5	29.1	35.6	42.0	54.4	66.4	78.3	101	124	147	156	162	165	165	157	143	124	100
22	8.80	16.4	23.6	30.6	37.4	44.1	57.2	69.9	82.3	107	130	153	162	168	171	170	162	147	126	101
23	9.23	17.2	24.8	32.1	39.3	46.3	60.0	73.3	86.4	112	137	159	168	174	177	176	167	151	129	102
24	9.66	18.0	26.0	33.6	41.1	48.5	62.8	76.7	90.4	117	143	164	174	180	183	182	171	154	131	102
25	10.1	18.8	27.1	35.2	43.0	50.6	65.6	80.2	94.5	122	150	170	180	186	189	187	176	157	133	102
26	10.5	19.7	28.3	36.7	44.8	52.8	68.5	83.7	98.6	128	156	176	186	192	195	192	180	160	134	102

Note: 1. kW ratings when using offset links are 80% of the above.
 2. Please contact a Tsubaki representative prior to use of kW ratings in the shaded area of the table.

Multi-strand factors

Number of chain strands	Two strands	Three strands
Multi-strand factor	1.7	2.5

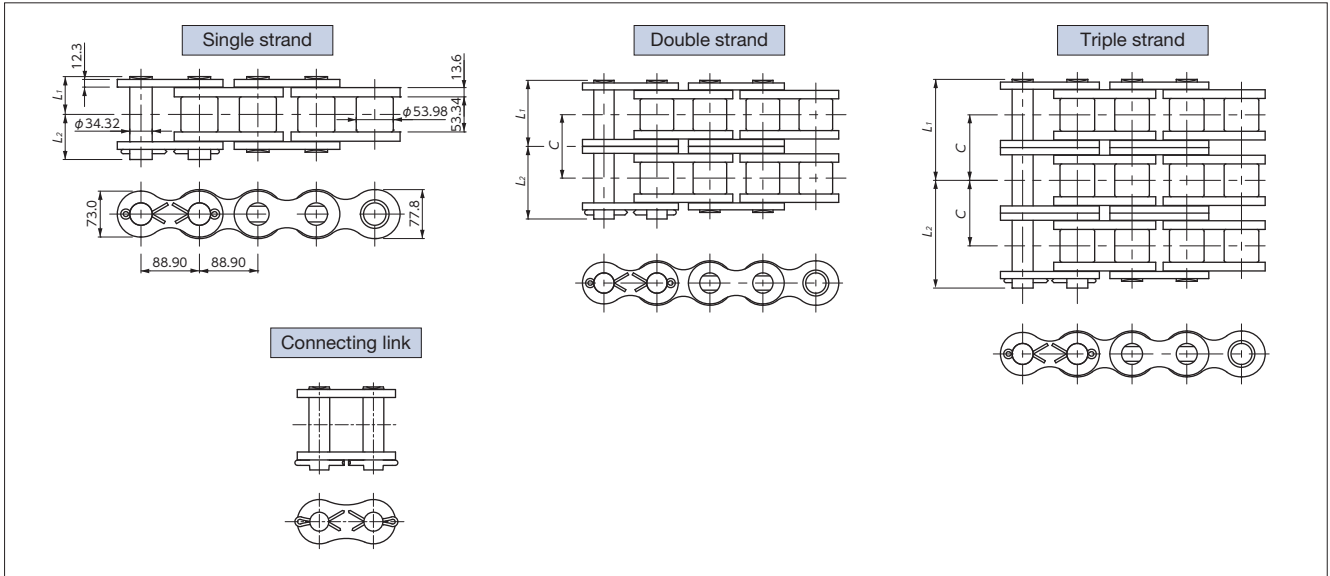
Lubrication systems and methods

Lubrication system	AI	A II	B	C	Details on pg. 216
Method	Manual lubrication	Drip lubrication	Oil bath or slinger disc lubrication	Forced pump lubrication	

Model numbering example RS48B -1 -RP + 30L -MWJR

Size Number of strands Pin type Number of links End link

Note: Standard roller chains do not require series selection.



Specifications

Size	Number of strands	Dimensions L ₁	Dimensions L ₂	Offset pin length L	Transverse pitch C	Min. tensile strength kN{kgf}	ISO "B" tensile strength kN{kgf}	Max. allowable load kN{kgf}	Approx. mass kg/m
RS56B	1	57.3	69.0	-	-	850 {86700}	850 {86700}	103 {10500}	33.90
	2	110.6	122.3	-	106.6	1700{173000}	1600{163000}	175 {17800}	67.18
	3	163.9	175.6	-	-	2250{229000}	2240{228000}	257 {26200}	100.40

- Note: 1. Offset links are not available.
 2. Maximum allowable load when using connecting links is 80% of the above.
 3. Number of links per unit = 34.

RS56B Maximum kilowatt ratings table (kW ratings for single strand chain)

Small sprocket no. of teeth	Small sprocket max rpm																			
	5	10	15	20	25	30	40	50	60	80	100	125	150	175	200	250	300	350	400	450
Lubrication	A I					A II					B					C				
9	5.23	9.76	14.1	18.2	22.3	26.2	34.0	41.5	48.5	55.7	61.0	65.5	68.1	69.0	68.5	64.1	55.8	44.2	29.9	13.2
10	5.86	10.9	15.7	20.4	24.9	29.4	38.1	46.5	53.6	61.6	67.4	72.3	75.0	75.9	75.3	70.1	60.7	47.6	31.5	12.7
11	6.49	12.1	17.5	22.6	27.6	32.6	42.2	51.6	58.7	67.4	73.7	78.9	81.8	82.7	81.9	76.0	65.3	50.8	32.8	11.8
12	7.13	13.3	19.2	24.8	30.4	35.8	46.3	56.7	63.7	73.1	79.8	85.4	88.4	89.3	88.3	81.6	69.7	53.6	33.7	10.6
13	7.78	14.5	20.9	27.1	33.1	39.0	50.5	61.8	68.7	78.7	85.9	91.9	95.0	95.7	94.5	87.0	73.9	56.1	34.3	8.98
14	8.42	15.7	22.6	29.3	35.9	42.3	54.7	66.8	73.6	84.3	91.9	98.2	101	102	101	92.2	77.7	58.3	34.5	6.96
15	9.08	16.9	24.4	31.6	38.6	45.5	59.0	71.3	78.5	89.8	97.9	104	108	108	106	97.2	81.4	60.2	34.4	4.56
16	9.73	18.2	26.2	33.9	41.4	48.8	63.2	75.7	83.3	95.2	104	110	114	114	112	102	84.7	61.8	33.9	1.77
17	10.4	19.4	27.9	36.2	44.2	52.1	67.5	80.0	88.0	101	109	116	120	120	118	106	87.8	63.1	33.1	
18	11.1	20.6	29.7	38.5	47.0	55.4	71.8	84.3	92.8	106	115	122	126	126	123	111	90.7	64.1	32.0	
19	11.7	21.9	31.5	40.8	49.9	58.8	76.1	88.6	97.4	111	121	128	131	131	128	115	93.3	64.8	30.5	
20	12.4	23.1	33.3	43.1	52.7	62.1	80.5	92.9	102	116	126	134	137	137	133	119	95.6	65.2	28.7	
21	13.1	24.4	35.1	45.5	55.6	65.5	84.8	97.0	107	121	132	139	143	142	138	122	97.7	65.3	26.5	
22	13.7	25.6	36.9	47.8	58.4	68.8	89.2	101	111	126	137	145	148	147	143	126	100	65.1	24.0	
23	14.4	26.9	38.7	50.1	61.3	72.2	93.1	105	116	131	142	150	153	152	147	129	101	64.6	21.1	
24	15.1	28.1	40.5	52.5	64.2	75.6	96.7	109	120	136	147	155	158	157	152	132	102	63.8	17.9	
25	15.8	29.4	42.4	54.9	67.1	79.0	100	113	124	141	152	161	163	162	156	135	103	62.7	14.4	
26	16.4	30.7	44.2	57.2	70.0	82.5	104	117	129	146	157	166	168	166	160	138	104	61.3	10.5	

Note: Please contact a Tsubaki representative prior to use of kW ratings in the shaded area of the table.

Multi-strand factors

Number of chain strands	Two strands	Three strands
Multi-strand factor	1.7	2.5

Lubrication systems and methods

Lubrication system	A I	A II	B	C	Details on pg. 216
Method	Manual lubrication	Drip lubrication	Oil bath or slinger disc lubrication	Forced pump lubrication	

Model numbering example

RS56B -1 -RP + 24L -MWJR

Size Number of strands Pin type Number of links End link

Note: Standard roller chains do not require series selection.

This page shows the series, number of strands, as well as types of pins and connecting links that can be selected for each size. Also refer to “Ordering RS Roller Chain” on page 19.

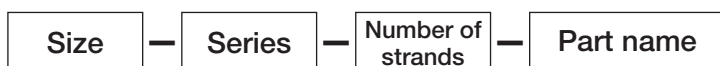
Customized items are also available. Please contact a Tsubaki representative.

1. Chains ordered by specifying the number of links, etc.



◆ Model numbering example **RS40-LMD-1-RP+230L-MCJR**

2. Individual parts, such as connecting links and offset links, ordered by quantity



◆ Model numbering examples **RS80-LMDNP-1-MWJL**
RS10B-LM-2-OL

Series

(column = size; row = series)

	LMD	LMDS	LMDX	LMDKF	LMDH	LMDNP	LMDSNP	LMDHNP	LMDSKF	LMDSKFNP	LMCCU		LM*1
RS40	○	○	○	○	○	○	○	○	○	○	○	RS08B	○
RS50	○	○	○	○	○	○	○	○	○	○	○	RS10B	○
RS60	○	○	○	○	○	○	○	○	○	○	○	RS12B	○
RS80	○	○	○	○	○	○	○	○	○	○	-	RS16B	○
RS100	○	○	○	-	○	○	○	○	-	-	-	RS20B	○
RS120	○	○	○	-	-	○	○	-	-	-	-	RS24B	○
RS140	○	○	-	-	-	○	○	-	-	-	-		
RS160	○	○	-	-	-	○	○	-	-	-	-		

Note: *1: LM series is a BS/DIN standard chain. RF06B chain size is also available.

Number of strands

(row = series)

	LMD	LMDS	LMDX	LMDKF	LMDH	LMDNP	LMDSNP	LMDHNP	LMDSKF	LMDSKFNP	LMCCU	LM
All sizes	1/2*1	2	1	1/2	2	1/2*1	2	2	2	2	1	1/2

Note: *1. RS140 and RS160 sizes are single-strand only.

Pin type

(column = size; row = series)

	LMD	LMDS	LMDX	LMDKF	LMDH	LMDNP	LMDSNP	LMDHNP	LMDSKF	LMDSKFNP	LMCCU	LM*1
RS40 to RS80 (RS08B to RS16B)	RP	RP	RP	RP	RP	RP	RP	RP	RP	RP	RP	RP
RS100 to RS140 (RS20B to RS24B)	RP/CP	RP/CP	RP/CP	-	CP	RP/CP	RP/CP	CP	-	-	-	RP

Note: *1. RF06B is RP.

2. RS160 are all RP.

3. Items in bold were standard pin types in the Tsubaki catalog up until April 2020.

End link symbol for connecting links and part names

(column = size; row = series)

	LMD	LMDS	LMDX	LMDKF	LMDH	LMDNP	LMDSNP	LMDHNP	LMDSKF	LMDSKFNP	LMCCU	LM*2
RS40 to RS60 (RS08B to RS12B)	MCJ*1	MCJ	MCJ	MCJ	MCJ	MCJ	MCJ	MCJ	MCJ	MCJ	MWJ	MCJ
RS80 and larger (RS16B and larger)	MWJ	MWJ	MWJ	MWJ	MWJ	MWJ	MWJ	MWJ	MWJ	MWJ	-	MWJ*3

Note: *1. For single-strand RS60 chain, connecting links with cotter pins can also be selected.

*2. RF06B is MCJ.

*3. RS16B is MCJ.

Offset link types and part names

	LMD	LMDKF	LMDH	LMDNP	LM
All sizes	○	2○	○	○	○/2○

Note: 1. Offset links are not available for 2-strand chains.

2. Offset links are not available for RS Double Strand Compatible Lambda Chain, X-Lambda Chain, and Curved Lambda Chain.

• Part names: ○ is offset link; 2○ is 2-pitch offset link.

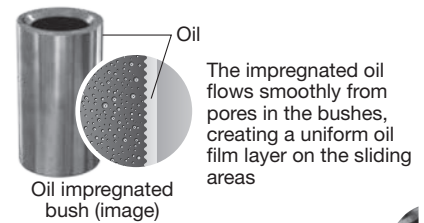
How to read chart

○	Available	RP/CP	Select from RP or CP	○	Offset link only
-	Contact a Tsubaki representative	RP	RP only	○/2○	Select from offset link or 2-pitch offset link
1/2	Select from 1 or 2 strands	CP	CP only		
1	1-strand only	MWJ	M-type connecting link with cotter pin only		
2	2-strand only	MCJ	M-type connecting link with clip only		

Lube-Free Roller Chains

LAMBDA Chain

Tsubaki is a pioneer in the industry, being the first to develop a lube-free roller chain that uses special oil-impregnated bushes. Since first being introduced in 1988, Lambda Chain has gained an outstanding reputation in a variety of industries and applications. It is capable of meeting a wide range of customer needs for long life in a lubrication-free environment, resulting in a reduction in overall long-term costs. It uses NSF-H1 food grade lubricant so it can be used on food manufacturing equipment.



Long life without additional lubrication Special oil-impregnated bushes provide lube-free operation.

Food grade oil Uses NSF-H1 food grade oil in its bushes.

Interchangeability Compatible*¹ with RS roller chain. Can use RS sprockets*².

Note: *1. Kilowatt ratings and dimensions will differ in part.

*2. RS sprockets may be used if the 2-strand chain is RS Compatible Chain.

Long Life LAMBDA Chain (X-Λ) [X-Lambda]

The inclusion of an oil-impregnated felt seal in the construction of X-Lambda Chain significantly improves the anti-wear performance of standard Lambda Chain. Ideal for environments where even longer replacement intervals compared to standard Lambda Chain are required.

Long life without additional lubrication The combination of a special oil-impregnated bush and felt seal*¹ further extends service life.

Food grade oil Uses NSF-H1 food grade oil in its bushes and felt seal.

Interchangeability Compatible*² with RS roller chain. Can use RS sprockets.

Note: *1. Felt seal is impregnated with oil. As a result, more oil adheres to the surface compared to Lambda Chain.

*2. Kilowatt ratings and dimensions will differ in part.

LAMBDA Chain KF Series (Heat Resistant Series)

Special lubricant demonstrates performance in high-temperature environments and resists degradation. It boosts the chain's wear resistance in the high-temperature range.

"KF" stamped on inner plates

Operating temperature range Operating temperature range has been extended to 230°C, exceeding the operating range of Lambda Chain. Best between 150°C to 230°C*¹.

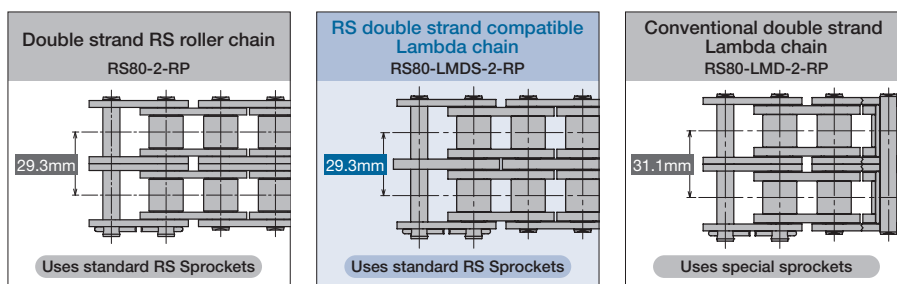
High-temperature food grade oil Bushes use a high-temperature NSF-H1 food grade oil.

Note: *1. Do not use in environments over 230°C. This will lead to a serious decrease in wear life.

Harmful gases may be emitted in temperatures over 280°C.

RS Double Strand Compatible LAMBDA Chain

When changing from two strands of RS Roller Chain to Lambda Chain (series/no. of strands: LMD-2), special sprockets are required because the horizontal pitch is different. Therefore, RS Double Strand Compatible Lambda Chain should have the same horizontal pitch as 2-strand RS Roller Chain, and consequently 2-strand RS sprockets can be used. The kilowatt rating will be higher than that of LMD-2. (The multi-strand coefficient for RS Double Strand Compatible Lambda Chain is 1.7 compared to 1.4 for LMD-2.)



Interchangeability Compatible*¹ with RS roller chain. Can use double-strand RS sprockets*².

Note: *1. Kilowatt ratings and dimensions will differ in part. *2. LMD-2 sprockets cannot be used. Use 2-strand RS sprockets.

Other LAMBDA Chains

- BS Lambda Chain**.....Lambda Chain that conforms to ISO 606 B Series (BIS/DIN standards).
(ISO 606 B Series) The dimensions are fully interchangeable*1 with existing BS/DIN chains.
- Surface-Treated Lambda Chain**...Standard Lambda Chain with corrosion-resistant surface treatments on the plates and rollers.
 - NP Nickel-plated plates and rollers provide mild corrosion resistance.
 - NEP A special corrosion-resistant surface treatment is applied to the plates and rollers to improve corrosion resistance.
- Heavy Duty Lambda Chain**.....The outer plates are one size thicker than standard Lambda Chain to give the chain higher kilowatt ratings*2 than double-strand Lambda Chain.
Note: The transverse pitch on standard RS Roller Chain and Lambda Chain differ. Multi-strand sprockets are made-to-order items.
- Curved Lambda Chain**.....This sideflexing roller chain features large lateral bending capabilities thanks to large clearance between individual components. RS sprockets can be used without modification.

Note: *1. Kilowatt ratings, strength, and dimensions differ in part from BS/DIN standard RS Roller Chain.
*2. When using press fit connecting links.

Precautions When Considering and Adopting LAMBDA Chains

1. Preventing contamination

Lambda Chains have special nickel-plated pins and plates with black oxide treatment. Surface-treated Lambda Chains have different surface treatments for each series. Do not use Lambda Chain if the chain will come in direct contact with food, or where coating flakes or wear dust may contaminate food. In non-food applications, take measures to prevent entry of foreign matter, for example, installing an appropriate cover when used in environments where coating flakes or wear dust may present a problem. Though nickel is not subject to the Japan Food Sanitation Act or the Industrial Safety and Health Act, use the chain with caution.

2. Lubricating oil used on products

Depending on usage conditions, the lubricating oil contained in impregnated bushings may spatter. Due to manufacturing constraints, Lambda Chain uses certain oils that are not compliant with NSF H1 requirements.

If a bushing runs out of impregnating oil, it should be quickly re-oiled, leading to a longer wear life.

3. Usage environment

If debris or dust is allowed to enter between chain parts, wear elongation may result and the chain may reach the end of its service life prematurely. Avoid using chains in a chemical, solvent, or degreasing medium, or in water or under vacuum in a way that

may cause the lubricating oil impregnating the bushings to become depleted.

Lambda Chain is not coated with anti-rust oil. Keep away from hot or humid places, and avoid dusty locations.

4. Double-strand chain

Double-strand Lambda Chain and Heavy Duty Lambda Chain (including Surface-treated Series and KF Series) have different horizontal pitches compared to RS Roller Chain. Use dedicated sprockets instead of RS sprockets.

RS Double-strand Compatible Lambda Chain has the same horizontal pitch as RS Roller Chain. Double-strand RS sprockets may be used.

Double-strand chains cannot be used together with LMD-2 and LMDS-2 chains, including their connecting components such as connecting links. The entire chain should be replaced and compatible sprockets selected.

5. Checking for interference on the equipment side

The length of pins for lube-free chains varies depending on the thickness of the outer and inner plates and the presence or absence of a felt seal. Since the pins extend beyond the RS roller chain itself, check for interference with equipment at the time of chain replacement.

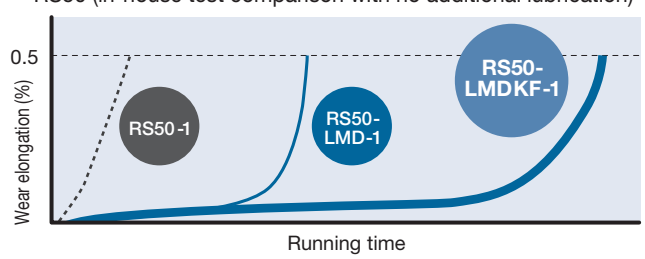
Comparison of Wear Life in the High-Temperature Range (Reference)

A roller chain's wear life varies depending on the chain speed and load acting on it, the number of teeth on the sprocket, operating conditions and temperature, and so on. The graphs below provide a rough guide to roller chain wear life.

Note: Wear life for Lambda Chain is +0.5% elongation.

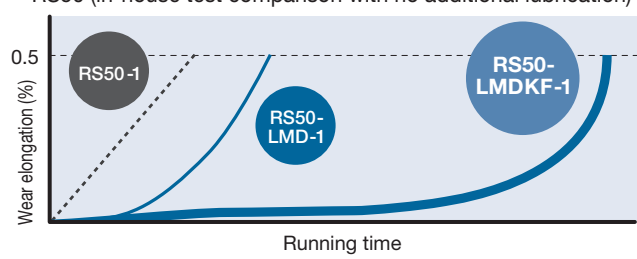
◆ 150°C range

RS50 (in-house test comparison with no additional lubrication)



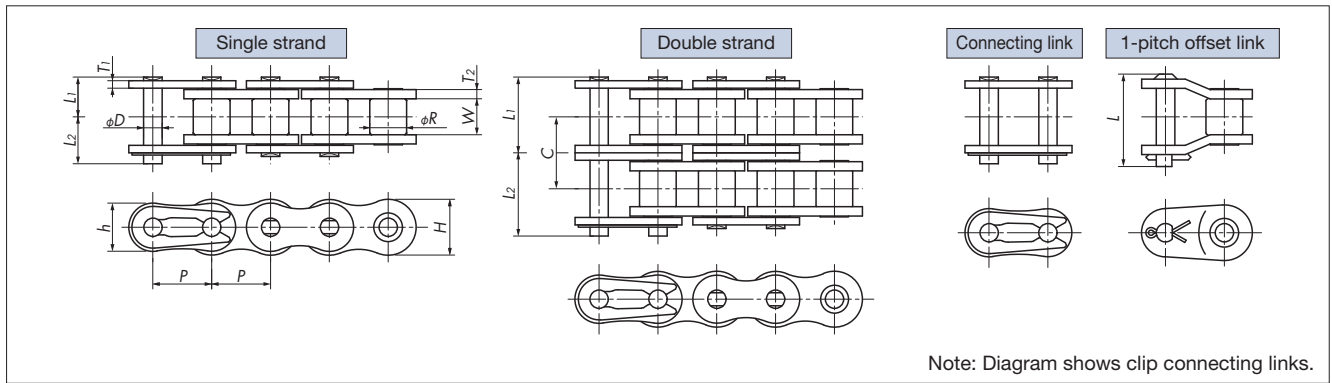
◆ 230°C range

RS50 (in-house test comparison with no additional lubrication)



- Note:
1. The operating temperature range for Lambda Chain is -10°C to 150°C.
 2. Chain temperature may rise to be higher than ambient temperature. Make sure that chain temperature does not exceed allowable operating temperature.
 3. Kilowatt ratings will drop to 3/4 of the listed catalog values when using in the 150°C to 200°C range. Select a chain to match your operating temperature.
 4. Kilowatt ratings will drop to 1/2 of the listed catalog values when using in the 200°C to 230°C range. Select a chain to match your operating temperature.

Lube-Free Roller Chains LAMBDA Chain (Surface Treated LAMBDA Chain NP Series)



Note: Diagram shows clip connecting links.

Specifications (common to Lambda Chain and Surface Treated Lambda Chain)

Tsubaki chain number		Pitch <i>P</i>	Roller dia. <i>R</i>	Inner width of inner link <i>W</i>	Plates				Pins				Offset pin length <i>L</i>	Transverse pitch <i>C</i>	Min. tensile strength kN{kgf}		Approx. mass kg/m		Links per unit	Allowable speed m/min	
1-strand	2-strand				Thickness	Height		Dia. <i>D</i>	<i>L</i>		1-strand	2-strand			1-strand	2-strand	1-strand	2-strand			
RS40-LMD-1	RS40-LMD-2	12.70	7.92	7.55	1.5	2.0	12.0	10.4	3.97	8.75	16.5	10.45	18.1	20.0	15.4	17.7{1800}	35.3{3600}	0.70	1.4	240	150
RS50-LMD-1	RS50-LMD-2	15.875	10.16	9.26	2.0	2.4	15.0	13.0	5.09	10.75	20.2	12.45	22.0	24.0	19.0	28.4{2900}	56.9{5800}	1.11	2.2	192	135
RS60-LMD-1	RS60-LMD-2	19.05	11.91	12.28	2.4	3.2	18.1	15.6	5.96	13.70	26.05	15.70	28.05	32.0	24.52	40.2{4100}	80.4{8200}	1.72	3.4	160	120
RS80-LMD-1	RS80-LMD-2	25.40	15.88	15.48	3.2	4.0	24.1	20.8	7.94	17.15	32.7	20.25	35.9	39.9	31.1	71.6{7300}	143 {14600}	2.77	5.5	120	90
RS100-LMD-1	RS100-LMD-2	31.75	19.05	18.70	4.0	4.8	30.1	26.0	9.54	20.65	39.5	23.85	42.5	47.5	37.6	107 {10900}	214 {21800}	4.30	8.6	96	80
RS120-LMD-1	RS120-LMD-2	38.10	22.23	24.75	4.8	5.6	36.2	31.2	11.11	25.75	49.35	29.95	53.75	59.0	47.1	148 {15000}	296 {30200}	6.4	12.8	80	50
RS140-LMD-1		44.45	25.40	24.75	5.6	6.4	42.2	36.4	12.71	27.70		32.20		63.7		193 {19700}		8.1		68	50
RS160-LMD-1		50.80	28.58	31.2	6.4	7.15	48.2	41.6	14.29	32.75		37.65		74.1		255 {26000}		10.5		60	50

Note: 1. Single strand or double strand. Offset links are not available for double-strand chain.

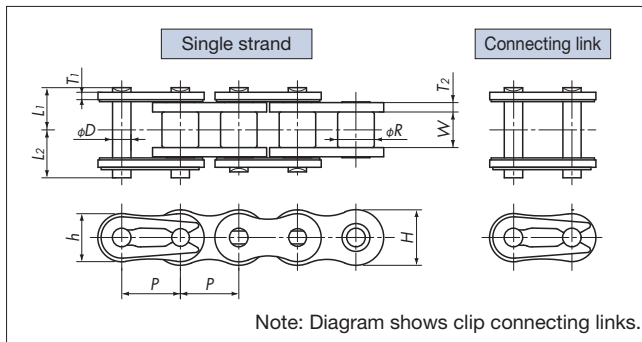
2. Items in bold are stocked in units. Surface-treated Lambda Chain (NP Series) is stocked in single-strand in sizes from RS40 to RS100.

Model numbering example

RS80 -LMD -1 -RP + 110L -MWJR

Size Series Number of strands Pin type Number of links End link

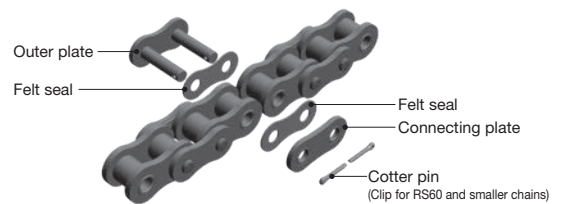
Lube-Free Roller Chains LAMBDA Chain (X-Λ)



Note: Diagram shows clip connecting links.

Connecting

Use a connecting link (with felt seal) to connect X-Lambda Chains. Set the felt seals on the inside of both the outer plate and connecting plate (as shown below).



Tsubaki chain number	Pitch <i>P</i>	Roller dia. <i>R</i>	Inner width of inner link <i>W</i>	Plates				Pins			Min. tensile strength kN{kgf}	Approx. mass kg/m	Links per unit	Allowable speed m/min
				Thickness	Height		Dia. <i>D</i>	<i>L</i> ₁	<i>L</i> ₂					
RS40-LMDX-1	12.70	7.92	7.55	1.5	2.0	12.0	10.4	3.97	9.4	11.1	17.7{1800}	0.70	240	150
RS50-LMDX-1	15.875	10.16	9.26	2.0	2.4	15.0	13.0	5.09	11.4	13.1	28.4{2900}	1.11	192	135
RS60-LMDX-1	19.05	11.91	12.28	2.4	3.2	18.1	15.6	5.96	14.8	16.5	40.2{4100}	1.72	160	120
RS80-LMDX-1	25.40	15.88	15.48	3.2	4.0	24.1	20.8	7.94	18.3	20.9	71.6{7300}	2.77	120	90
RS100-LMDX-1	31.75	19.05	18.70	4.0	4.8	30.1	26.0	9.54	21.8	24.5	107 {10900}	4.30	96	80
RS120-LMDX-1	38.10	22.23	24.75	4.8	5.6	36.2	31.2	11.11	26.7	30.8	148 {15000}	6.40	80	50

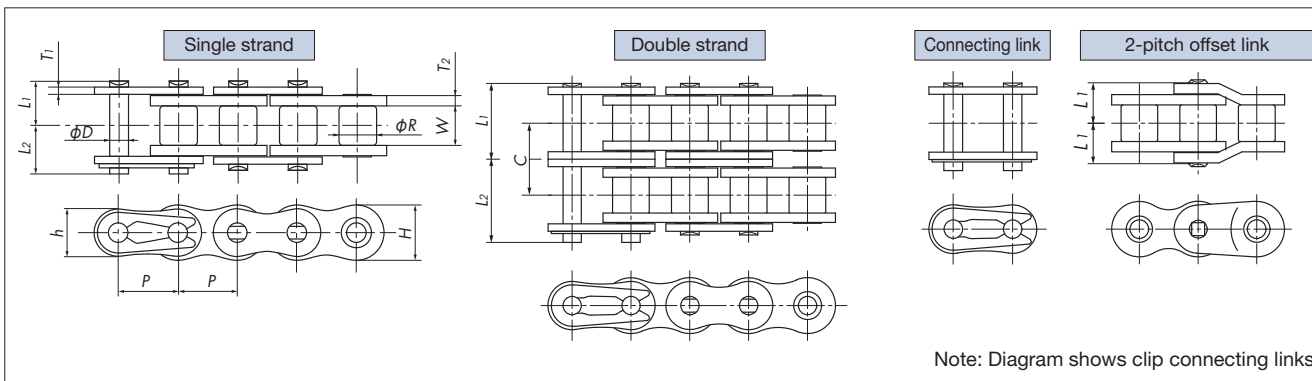
Note: Offset links are not available.

Model numbering example

RS80 -LMDX -1 -RP + 110L -MWJR

Size Series Number of strands Pin type Number of links End link

Lube-Free Roller Chains LAMBDA Chain KF Series (Heat Resistant Series)



Note: Diagram shows clip connecting links.

Tsubaki chain number		Pitch P	Roller dia. R	Inner width of inner link W	Plates				Pins				Transverse pitch C	Min. tensile strength kN{kgf}		Approx. mass kg/m		Links per unit	Allowable speed m/min	
1-strand	2-strand				Thickness T ₁ T ₂	Height H h	Dia. D	L ₁	L ₂	1-strand	2-strand	1-strand		2-strand	1-strand	2-strand				
RS40-LMDKF-1	RS40-LMDKF-2	12.70	7.92	7.55	1.5	2.0	12.0	10.4	3.97	8.75	16.5	10.45	18.1	15.4	17.7{1800}	35.3{3600}	0.70	1.4	240	150
RS50-LMDKF-1	RS50-LMDKF-2	15.875	10.16	9.26	2.0	2.4	15.0	13.0	5.09	10.75	20.2	12.45	22.0	19.0	28.4{2900}	56.9{5800}	1.11	2.2	192	135
RS60-LMDKF-1	RS60-LMDKF-2	19.05	11.91	12.28	2.4	3.2	18.1	15.6	5.96	13.70	26.05	15.70	28.05	24.52	40.2{4100}	80.4{8200}	1.72	3.4	160	120
RS80-LMDKF-1	RS80-LMDKF-2	25.40	15.88	15.48	3.2	4.0	24.1	20.8	7.94	17.15	32.7	20.25	35.9	31.1	71.6{7300}	143{14600}	2.77	5.5	120	90

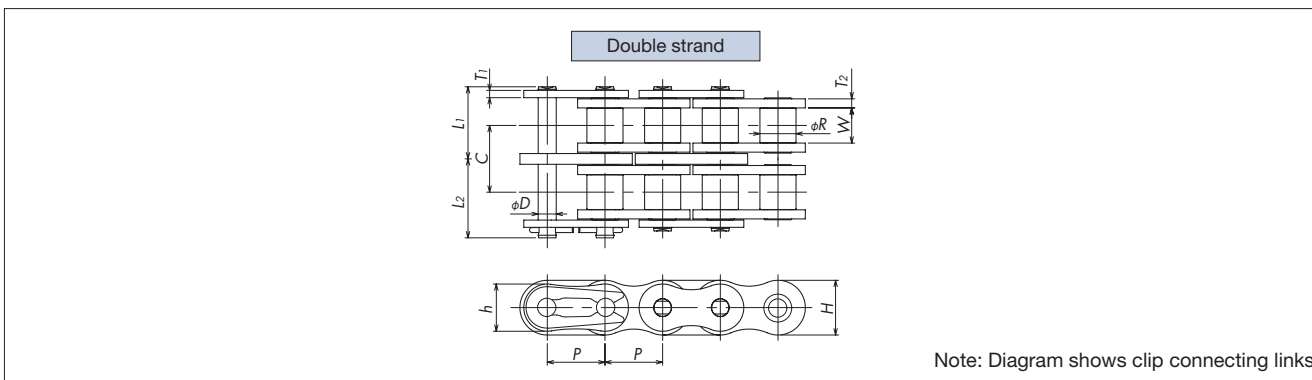
Note: Single strand or double strand. Single-strand chains have two-pitch offset links only. Offset links are not available for double-strand chain.

Model numbering example

RS80 -LMDKF -1 -RP + 110L -MWJR

Size Series Number of strands Pin type Number of links End link

Lube-Free Roller Chains RS Double Strand Compatible LAMBDA Chain



Note: Diagram shows clip connecting links.

Tsubaki chain number	Pitch P	Roller dia. R	Inner width of inner link W	Plates				Pins			Transverse pitch C	Min. tensile strength kN{kgf}	Approx. mass kg/m	Links per unit	Allowable speed m/min
				Thickness T ₁ T ₂	Height H h	Dia. D	L ₁	L ₂							
RS40-LMDS-2	12.70	7.92	7.55	1.5	2.0	12.0	10.4	3.97	15.95	17.65	14.4	30.0{3060}	1.4	240	150
RS50-LMDS-2	15.875	10.16	9.26	2.0	2.4	15.0	13.0	5.09	19.85	21.55	18.1	48.3{4930}	2.2	192	135
RS60-LMDS-2	19.05	11.91	12.28	2.4	3.2	18.1	15.6	5.96	25.15	26.95	22.8	68.4{6970}	3.4	160	120
RS80-LMDS-2	25.40	15.88	15.48	3.2	4.0	24.1	20.8	7.94	31.75	34.75	29.3	122{12400}	5.5	120	90
RS100-LMDS-2	31.75	19.05	18.70	4.0	4.8	30.1	26.0	9.54	38.50	41.60	35.8	181{18500}	8.6	96	80
RS120-LMDS-2	38.10	22.23	24.75	4.8	5.6	36.2	31.2	11.11	48.55	52.55	45.4	252{25700}	13.0	80	50
RS140-LMDS-2	44.45	25.40	24.75	5.6	6.4	42.2	36.4	12.71	52.20	56.60	48.9	329{33500}	16.5	68	50
RS160-LMDS-2	50.80	28.58	31.2	6.4	7.15	48.2	41.6	14.29	62.05	66.85	58.5	433{44200}	21.4	60	50

Note: 1. RS Double Strand Compatible Chain uses a flat middle plate ϕ . RS40 to RS100 use one middle plate, while RS120 to RS160 use two middle plates.

2. Offset links are not available.

Model numbering example

RS100 -LMDS -2 -RP + 86L -MWJR

Size Series Number of strands Pin type Number of links End link

Before Use
Standard Roller Chains
Lube-Free Roller Chains
Heavy Duty Roller Chains
Corrosion Resistant Roller Chains
Specialty Roller Chains
Sprockets
Pin Gear Drives
Accessories
Handling

Lube-Free Roller Chains Kilowatt Ratings Tables

LAMBDA Chain / Surface Treated LAMBDA Chain / X-LAMBDA Chain / LAMBDA Chain KF Series / RS Double Strand Compatible LAMBDA Chain

■ RS40 lube-free roller chain Maximum kilowatt ratings table (kW ratings for single strand chain)

Small sprocket no. of teeth	Small sprocket max rpm											
	10	25	50	100	200	300	400	500	700	900	1000	1200
9	0.05	0.11	0.21	0.39	0.72	1.04	1.35	1.65	2.23	2.79	3.07	3.62
10	0.05	0.12	0.23	0.43	0.81	1.16	1.51	1.84	2.50	3.13	3.44	
11	0.06	0.14	0.26	0.48	0.90	1.29	1.67	2.04	2.77	3.47	3.81	
12	0.07	0.15	0.28	0.53	0.98	1.42	1.84	2.24	3.04	3.81		
13	0.07	0.17	0.31	0.57	1.07	1.55	2.00	2.45	3.31	4.15		
14	0.08	0.18	0.33	0.62	1.16	1.67	2.17	2.65	3.59			
15	0.08	0.19	0.36	0.67	1.25	1.80	2.34	2.86	3.87			
16	0.09	0.21	0.39	0.72	1.34	1.93	2.51	3.06	4.15			
17	0.10	0.22	0.41	0.77	1.43	2.06	2.67	3.27				
18	0.10	0.23	0.44	0.82	1.52	2.20	2.84	3.48				
19	0.11	0.25	0.46	0.87	1.62	2.33	3.02	3.69				
20	0.12	0.26	0.49	0.92	1.71	2.46	3.19	3.90				
21	0.12	0.28	0.52	0.97	1.80	2.59	3.36	4.11				
22	0.13	0.29	0.54	1.01	1.89	2.73	3.53	4.32				
23	0.13	0.31	0.57	1.06	1.99	2.86	3.71	4.53				
24	0.14	0.32	0.60	1.11	2.08	3.00	3.88					
25	0.15	0.33	0.62	1.16	2.17	3.13	4.06					
26	0.15	0.35	0.65	1.22	2.27	3.27	4.23					
28	0.17	0.38	0.71	1.32	2.46	3.54	4.58					
30	0.18	0.41	0.76	1.42	2.65	3.81						
32	0.19	0.44	0.82	1.52	2.84	4.09						
35	0.21	0.48	0.90	1.68	3.13	4.50						
40	0.24	0.56	1.04	1.94	3.61							
45	0.28	0.63	1.18	2.20	4.10							

■ RS60 lube-free roller chain Maximum kilowatt ratings table (kW ratings for single strand chain)

Small sprocket no. of teeth	Small sprocket max rpm											
	10	25	50	100	150	200	250	300	400	500	600	700
9	0.18	0.41	0.76	1.41	2.03	2.64	3.22	3.80	4.92	6.01	7.08	8.14
10	0.20	0.45	0.85	1.58	2.28	2.95	3.61	4.25	5.51	6.74	7.94	
11	0.22	0.50	0.94	1.75	2.53	3.27	4.00	4.71	6.11	7.47		
12	0.24	0.55	1.03	1.93	2.78	3.60	4.40	5.18	6.71	8.20		
13	0.26	0.60	1.13	2.10	3.03	3.92	4.79	5.65	7.32			
14	0.29	0.65	1.22	2.28	3.28	4.25	5.19	6.12	7.92			
15	0.31	0.70	1.31	2.45	3.53	4.58	5.59	6.59	8.54			
16	0.33	0.75	1.41	2.63	3.79	4.91	6.00	7.07				
17	0.35	0.81	1.50	2.81	4.04	5.24	6.40	7.54				
18	0.38	0.86	1.60	2.99	4.30	5.57	6.81	8.02				
19	0.40	0.91	1.70	3.16	4.56	5.91	7.22	8.51				
20	0.42	0.96	1.79	3.35	4.82	6.24	7.63	8.99				
21	0.44	1.01	1.89	3.53	5.08	6.58	8.04	9.48				
22	0.47	1.06	1.99	3.71	5.34	6.92	8.46					
23	0.49	1.12	2.08	3.89	5.60	7.26	8.87					
24	0.51	1.17	2.18	4.07	5.87	7.60	9.29					
25	0.54	1.22	2.28	4.26	6.13	7.94	9.71					
26	0.56	1.28	2.38	4.44	6.40	8.29						
28	0.61	1.38	2.58	4.81	6.93	8.98						
30	0.65	1.49	2.78	5.18	7.47	9.67						
32	0.70	1.60	2.98	5.56	8.00							
35	0.77	1.76	3.28	6.12	8.82							
40	0.89	2.03	3.79	7.07	10.2							
45	1.01	2.31	4.30	8.03								

■ RS50 lube-free roller chain Maximum kilowatt ratings table (kW ratings for single strand chain)

Small sprocket no. of teeth	Small sprocket max rpm											
	10	25	50	100	200	300	400	500	600	700	800	900
9	0.10	0.23	0.43	0.80	1.49	2.15	2.78	3.40	4.01	4.61	5.19	5.77
10	0.11	0.26	0.48	0.90	1.67	2.41	3.12	3.81	4.49	5.16	5.82	
11	0.12	0.29	0.53	0.99	1.85	2.67	3.46	4.23	4.98	5.72		
12	0.14	0.31	0.58	1.09	2.03	2.93	3.80	4.64	5.47	6.28		
13	0.15	0.34	0.64	1.19	2.22	3.20	4.14	5.06	5.96			
14	0.16	0.37	0.69	1.29	2.40	3.46	4.49	5.48	6.46			
15	0.17	0.40	0.74	1.39	2.59	3.73	4.83	5.91				
16	0.19	0.43	0.80	1.49	2.78	4.00	5.18	6.33				
17	0.20	0.46	0.85	1.59	2.96	4.27	5.53	6.76				
18	0.21	0.49	0.91	1.69	3.15	4.54	5.88					
19	0.23	0.51	0.96	1.79	3.34	4.81	6.24					
20	0.24	0.54	1.01	1.89	3.53	5.09	6.59					
21	0.25	0.57	1.07	2.00	3.72	5.36	6.95					
22	0.26	0.60	1.12	2.10	3.92	5.64						
23	0.28	0.63	1.18	2.20	4.11	5.92						
24	0.29	0.66	1.24	2.31	4.30	6.20						
25	0.30	0.69	1.29	2.41	4.50	6.48						
26	0.32	0.72	1.35	2.51	4.69	6.76						
28	0.34	0.78	1.46	2.72	5.08	7.32						
30	0.37	0.84	1.57	2.93	5.47							
32	0.40	0.90	1.69	3.15	5.87							
35	0.44	1.00	1.86	3.46	6.47							
40	0.50	1.15	2.14	4.00	7.47							
45	0.57	1.31	2.44	4.55								

■ RS80 lube-free roller chain Maximum kilowatt ratings table (kW ratings for single strand chain)

Small sprocket no. of teeth	Small sprocket max rpm											
	10	25	50	75	100	125	150	200	250	300	350	
9	0.40	0.91	1.69	2.44	3.16	3.86	4.55	5.90	7.21	8.50	9.76	
10	0.45	1.02	1.90	2.73	3.54	4.33	5.10	6.61	8.08	9.52	10.9	
11	0.49	1.13	2.10	3.03	3.93	4.80	5.66	7.33	8.96	10.6		
12	0.54	1.24	2.31	3.33	4.31	5.27	6.21	8.05	9.84			
13	0.59	1.35	2.52	3.63	4.70	5.75	6.77	8.78	10.7			
14	0.64	1.46	2.73	3.93	5.10	6.23	7.34	9.51	11.6			
15	0.69	1.58	2.94	4.24	5.49	6.71	7.91	10.2				
16	0.74	1.69	3.15	4.54	5.89	7.19	8.48	11.0				
17	0.79	1.80	3.37	4.85	6.28	7.68	9.05	11.7				
18	0.84	1.92	3.58	5.16	6.68	8.17	9.63					
19	0.89	2.03	3.80	5.47	7.09	8.66	10.2					
20	0.94	2.15	4.01	5.78	7.49	9.16	10.8					
21	0.99	2.27	4.23	6.09	7.89	9.65	11.4					
22	1.05	2.38	4.45	6.41	8.30	10.1	12.0					
23	1.10	2.50	4.67	6.72	8.71	10.6	12.5					
24	1.15	2.62	4.89	7.04	9.12	11.1						
25	1.20	2.74	5.11	7.36	9.53	11.7						
26	1.25	2.86	5.33	7.67	9.94	12.2						
28	1.36	3.09	5.77	8.31	10.8	13.2						
30	1.46	3.33	6.22	8.96	11.6							
32	1.57	3.57	6.67	9.60	12.4							
35	1.73	3.94	7.35	10.6	13.7							
40	1.99	4.55	8.48	12.2								
45	2.26	5.16	9.64	13.9								

Note: 1. kW ratings when using a one-pitch offset link are 80% of the above values.

2. For double-strand chain, multiply the kilowatt ratings in the tables above by the multi-strand factor in Table 1.

3. X-Lambda Chain provides a kilowatt rating with a wear life several times longer than that of standard Lambda Chain.

4. For Lambda Chain KF Series, multiply by the temperature factor for KF Series in Table 2 based on the ambient temperature for your application.

■ Table 1. Multi-strand factors for double-strand Lambda Chain

Lambda Chain Lambda Chain NP Series Lambda Chain KF Series	RS Double Strand Compatible Lambda Chain Heavy Duty Lambda Chain* Heavy Duty Lambda Chain NP Series*
1.4	1.7

*The multi-strand factor for Heavy Duty Lambda Chain and Heavy Duty Lambda Chain NP Series is the coefficient when using F-type connecting links. If M-type connecting links are used, the kilowatt rating will be reduced.

■ Table 2. Temperature factors for KF Series Chain

Expect a reduction in strength due to operating temperatures. Calculate based on the maximum operating temperature of your equipment.

Max. operating temperature	KF Series kW ratings
150°C or less	kW rating in above table × 1
150°C to 200°C	kW rating in above table × 3/4
200°C to 230°C	kW rating in above table × 1/2

■ RS100 lube-free roller chain Maximum kilowatt ratings table (kW ratings for single strand chain)

Small sprocket no. of teeth	Small sprocket max rpm											
	10	25	50	75	100	125	150	175	200	225	250	275
9	0.66	1.51	2.82	4.07	5.27	6.44	7.59	8.72	9.83	10.9	12.0	13.1
10	0.74	1.70	3.16	4.56	5.90	7.22	8.51	9.77	11.0	12.3	13.5	
11	0.82	1.88	3.51	5.05	6.54	8.00	9.43	10.8	12.3	13.4		
12	0.91	2.06	3.85	5.55	7.19	8.79	10.4	11.9	13.4			
13	0.99	2.25	4.20	6.05	7.84	9.58	11.3	13.0				
14	1.07	2.44	4.55	6.56	8.49	10.4	12.2	14.1				
15	1.15	2.63	4.90	7.06	9.15	11.2	13.2					
16	1.23	2.82	5.26	7.57	9.81	12.0	14.1					
17	1.32	3.01	5.61	8.08	10.5	12.8						
18	1.40	3.20	5.97	8.60	11.1	13.6						
19	1.49	3.39	6.33	9.12	11.8	14.4						
20	1.57	3.58	6.69	9.64	12.5	15.3						
21	1.66	3.78	7.05	10.2	13.2							
22	1.74	3.97	7.41	10.7	13.8							
23	1.83	4.17	7.78	11.2	14.5							
24	1.91	4.36	8.15	11.7	15.2							
25	2.00	4.56	8.51	12.3	15.9							
26	2.09	4.76	8.88	12.8								
28	2.26	5.16	9.62	13.9								
30	2.43	5.55	10.4	14.9								
32	2.61	5.96	11.1	16.0								
35	2.88	6.56	12.2									
40	3.32	7.58	14.1									
45	3.77	8.61	16.1									

■ RS120 lube-free roller chain Maximum kilowatt ratings table (kW ratings for single strand chain)

Small sprocket no. of teeth	Small sprocket max rpm											
	5	10	15	20	25	30	40	50	60	80	100	125
9	0.65	1.22	1.75	2.27	2.77	3.27	4.23	5.17	6.10	7.90	9.65	11.8
10	0.73	1.36	1.96	2.54	3.11	3.66	4.74	5.80	6.83	8.85	10.8	13.2
11	0.81	1.51	2.17	2.82	3.44	4.06	5.25	6.43	7.57	9.81	12.0	
12	0.89	1.66	2.39	3.09	3.78	4.46	5.77	7.06	8.32	10.8	13.2	
13	0.97	1.81	2.60	3.37	4.12	4.86	6.29	7.70	9.07	11.7	14.4	
14	1.05	1.96	2.82	3.65	4.47	5.26	6.82	8.34	9.82	12.7		
15	1.13	2.11	3.04	3.94	4.81	5.67	7.35	8.98	10.6	13.7		
16	1.21	2.26	3.26	4.22	5.16	6.08	7.88	9.63	11.3	14.7		
17	1.29	2.42	3.48	4.51	5.51	6.49	8.41	10.3	12.1			
18	1.38	2.57	3.70	4.79	5.86	6.91	8.94	10.9	12.9			
19	1.46	2.72	3.92	5.08	6.21	7.32	9.48	11.6	13.7			
20	1.54	2.88	4.15	5.37	6.57	7.74	10.0	12.3	14.4			
21	1.63	3.03	4.37	5.66	6.92	8.16	10.6	12.9	15.2			
22	1.71	3.19	4.60	5.95	7.28	8.58	11.1	13.6				
23	1.79	3.35	4.82	6.25	7.64	9.00	11.7	14.3				
24	1.88	3.51	5.05	6.54	8.00	9.42	12.2	14.9				
25	1.96	3.66	5.28	6.84	8.36	9.85	12.8	15.6				
26	2.05	3.82	5.51	7.13	8.72	10.3	13.3	16.3				
28	2.22	4.14	5.96	7.72	9.45	11.1	14.4					
30	2.39	4.46	6.43	8.32	10.2	12.0	15.5					
32	2.56	4.78	6.89	8.92	10.9	12.9	16.7					
35	2.82	5.27	7.59	9.83	12.0	14.2						
40	3.26	6.09	8.77	11.4	13.9	16.4						
45	3.70	6.91	9.96	12.9	15.8							

■ RS140 lube-free roller chain Maximum kilowatt ratings table (kW ratings for single strand chain)

Small sprocket no. of teeth	Small sprocket max rpm											
	5	10	15	20	25	30	40	50	60	80	100	125
9	1.02	1.90	2.74	3.55	4.34	5.12	6.63	8.10	9.55	12.4	15.1	18.5
10	1.14	2.13	3.07	3.98	4.87	5.73	7.43	9.08	10.7	13.9	16.9	
11	1.27	2.36	3.41	4.41	5.39	6.36	8.23	10.1	11.9	15.4	18.8	
12	1.39	2.60	3.74	4.85	5.93	6.98	9.05	11.1	13.0	16.9		
13	1.52	2.83	4.08	5.29	6.46	7.61	9.86	12.1	14.2	18.4		
14	1.64	3.07	4.42	5.73	7.00	8.25	10.7	13.1	15.4	19.9		
15	1.77	3.31	4.76	6.17	7.54	8.89	11.5	14.1	16.6			
16	1.90	3.54	5.11	6.61	8.08	9.53	12.3	15.1	17.8			
17	2.03	3.78	5.45	7.06	8.63	10.2	13.2	16.1	19.0			
18	2.16	4.03	5.80	7.51	9.18	10.8	14.0	17.1	20.2			
19	2.29	4.27	6.15	7.96	9.73	11.5	14.9	18.2				
20	2.42	4.51	6.50	8.42	10.3	12.1	15.7	19.2				
21	2.55	4.75	6.85	8.87	10.8	12.8	16.6	20.2				
22	2.68	5.00	7.20	9.33	11.4	13.4	17.4	21.3				
23	2.81	5.25	7.55	9.79	12.0	14.1	18.3					
24	2.94	5.49	7.91	10.2	12.5	14.8	19.1					
25	3.08	5.74	8.27	10.7	13.1	15.4	20.0					
26	3.21	5.99	8.62	11.2	13.7	16.1	20.8					
28	3.48	6.49	9.34	12.1	14.8	17.4	22.6					
30	3.74	6.99	10.1	13.0	15.9	18.8						
32	4.02	7.49	10.8	14.0	17.1	20.1						
35	4.42	8.25	11.9	15.4	18.8	22.2						
40	5.11	9.53	13.7	17.8	21.7							

■ RS160 lube-free roller chain Maximum kilowatt ratings table (kW ratings for single strand chain)

Small sprocket no. of teeth	Small sprocket max rpm											
	5	10	15	20	25	30	40	50	60	80	100	125
9	1.54	2.87	4.13	5.35	6.54	7.70	9.98	12.2	14.4	18.6	22.8	
10	1.72	3.21	4.63	5.99	7.33	8.63	11.2	13.7	16.1	20.9		
11	1.91	3.56	5.13	6.64	8.12	9.57	12.4	15.2	17.9	23.1		
12	2.10	3.91	5.63	7.30	8.92	10.5	13.6	16.6	19.6	25.4		
13	2.28	4.26	6.14	7.96	9.73	11.5	14.8	18.1	21.4			
14	2.48	4.62	6.65	8.62	10.5	12.4	16.1	19.7	23.2			
15	2.67	4.98	7.17	9.29	11.4	13.4	17.3	21.2	25.0			
16	2.86	5.34	7.68	9.96	12.2	14.3	18.6	22.7	26.8			
17	3.05	5.70	8.20	10.6	13.0	15.3	19.8	24.2				
18	3.25	6.06	8.73	11.3	13.8	16.3	21.1	25.8				
19	3.44	6.42	9.25	12.0	14.7	17.3	22.4	27.3				
20	3.64	6.79	9.78	12.7	15.5	18.2	23.6					
21	3.83	7.16	10.3	13.4	16.3	19.2	24.9					
22	4.03	7.52	10.8	14.0	17.2	20.2	26.2					
23	4.23	7.90	11.4	14.7	18.0	21.2	27.5					
24	4.43	8.27	11.9	15.4	18.9	22.2	28.8					
25	4.63	8.64	12.4	16.1	19.7	23.2						
26	4.83	9.01	13.0	16.8	20.6	24.2						
28	5.23	9.76	14.1	18.2	22.3	26.2						
30	5.64	10.5	15.2	19.6	24.0	28.3						
32	6.04	11.3	16.2	21.0	25.7	30.3						
35	6.66	12.4	17.9	23.2	28.3							
40	7.69	14.4	20.7	26.8								

- Note: 1. kW ratings when using a one-pitch offset link are 80% of the above values.
 2. For double-strand chain, multiply the kilowatt ratings in the tables above by the multi-strand factor in Table 1.
 3. X-Lambda Chain provides a kilowatt rating with a wear life several times longer than that of standard Lambda Chain.
 4. For Lambda Chain KF Series, multiply by the temperature factor for KF Series in Table 2 based on the ambient temperature for your application.

■ Table 1. Multi-strand factors for double-strand Lambda Chain

Lambda Chain Lambda Chain NP Series Lambda Chain KF Series	RS Double Strand Compatible Lambda Chain Heavy Duty Lambda Chain* Heavy Duty Lambda Chain NP Series*
1.4	1.7

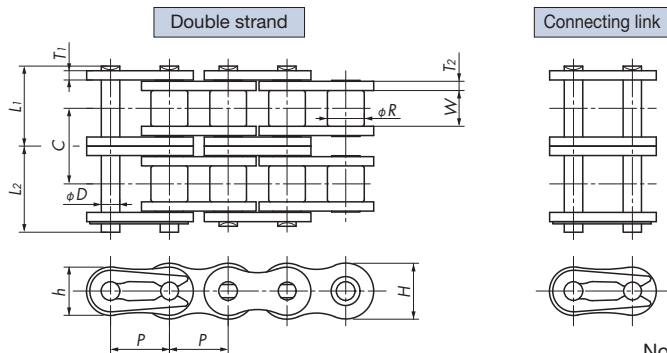
*The multi-strand factor for Heavy Duty Lambda Chain and Heavy Duty Lambda Chain NP Series is the coefficient when using F-type connecting links. If M-type connecting links are used, the kilowatt rating will be reduced.

■ Table 2. Temperature factors for KF Series Chain

Expect a reduction in strength due to operating temperatures. Calculate based on the maximum operating temperature of your equipment.

Max. operating temperature	KF Series kW ratings
150°C or less	kW rating in above table × 1
150°C to 200°C	kW rating in above table × 3/4
200°C to 230°C	kW rating in above table × 1/2

Lube-Free Roller Chains Heavy Duty LAMBDA Chain / Heavy Duty LAMBDA Chain NP Series



Note: Diagram shows clip connecting links.

Specifications

Tsubaki chain number	Pitch P	Roller dia. R	Inner width of inner link W	Plates				Pins			Transverse pitch C	Min. tensile strength $\text{kN}\{\text{kgf}\}$	Approx. mass kg/m	Links per unit	Allowable speed m/min
				Thickness T_1	T_2	Height H	h	Dia. D	L_1	L_2					
RS40-LMDH-2	12.70	7.92	7.55	2.0	2.0	12.0	10.4	3.97	17.5	19.15	16.4	35.3{3600}	1.57	240	150
RS50-LMDH-2	15.875	10.16	9.26	2.4	2.4	15.0	13.0	5.09	20.95	22.65	19.7	56.9{5800}	2.35	192	135
RS60-LMDH-2	19.05	11.91	12.28	3.2	3.2	18.1	15.6	5.96	27.55	29.45	26.1	80.4{8200}	3.59	160	120
RS80-LMDH-2	25.40	15.88	15.48	4.0	4.0	24.1	20.8	7.94	34.6	37.2	32.6	143 {14600}	6.18	120	90
RS100-LMDH-2	31.75	19.05	18.70	4.8	4.8	30.1	26.0	9.54	41.4	44.1	39.1	214 {21800}	9.03	96	80

Note: Use an F-type connecting link for Heavy Duty Lambda Chain. If M-type connecting links are used, the kilowatt rating will be reduced.

Model numbering example

RS80 -LMDH -2 -RP + 110L -MWJR

Size

Series

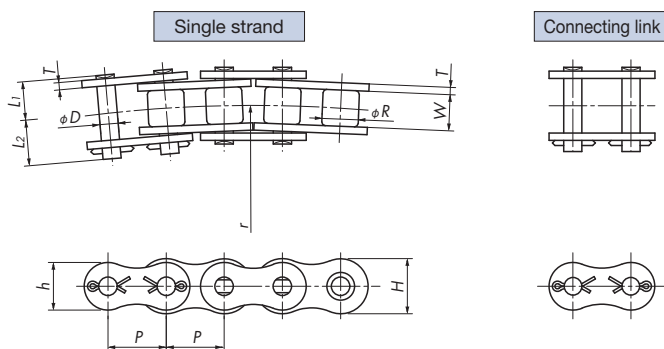
Number of strands

Pin type

Number of links

End link

Lube-Free Roller Chains Curved LAMBDA Chain



Specifications

Tsubaki chain number	Pitch P	Roller dia. R	Inner width of inner link W	Plates			Pins			Min. hor. bending radius r	Min. tensile strength $\text{kN}\{\text{kgf}\}$	Max. allowable load $\text{kN}\{\text{kgf}\}$	Approx. mass kg/m	Links per unit
				Thickness T	Height H	h	Dia. D	L_1	L_2					
RS40-LMCCU-1	12.70	7.92	7.95	1.5	12.0	10.4	3.59	8.45	9.75	400	11.1{1130}	1.86 {190}	0.61	240
RS50-LMCCU-1	15.875	10.16	9.53	2.0	15.0	13.0	4.45	10.3	11.7	500	17.3{1760}	2.84 {290}	1.01	192
RS60-LMCCU-1	19.05	11.91	12.70	2.4	18.1	15.6	5.35	12.95	14.55	600	25.1{2560}	4.02 {410}	1.40	160

Note: 1. RS sprockets can be used. See the "Handling Roller Chains and Sprockets" for installation.
2. Attachment chains are also available.

Model numbering example

RS40 -LMCCU -1 -RP + 230L -MWJR

Size

Series

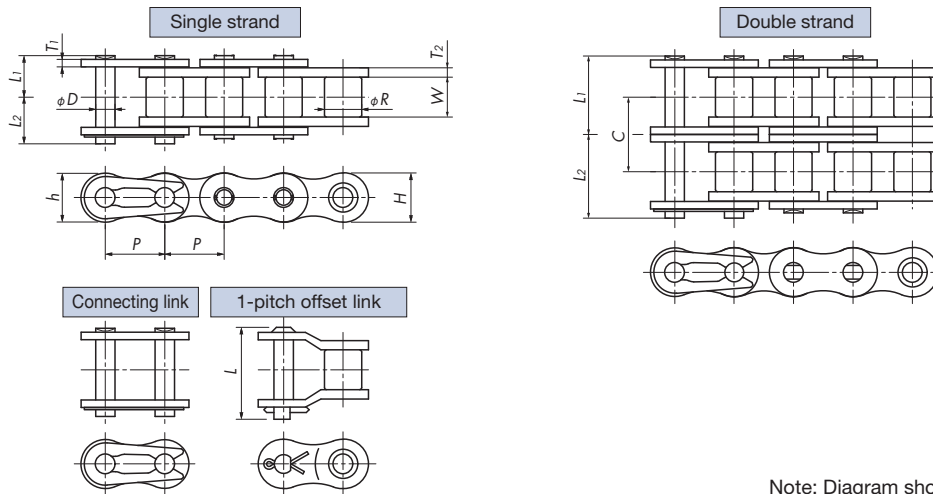
Number of strands

Pin type

Number of links

End link

Lube-Free Roller Chains **BS LAMBDA Chain (ISO606 B Series)**



Note: Diagram shows clip connecting links.

Specifications

Tsubaki chain number		JIS no.	Pitch P	Roller dia. R	Inner width of inner link W	Plates				Pins				
1-strand	2-strand					Thickness		Height		Dia. D	L ₁		L ₂	
						T ₁	T ₂	H	h		1-strand	2-strand	1-strand	2-strand
RF06B-LM-1	RF06B-LM-2	06B	9.525	6.35	5.72	1.0	1.3	8.2	8.2	3.28	6.1	11.2	7.7	12.8
RS08B-LM-1	RS08B-LM-2	08B	12.70	8.51	7.75	1.6	1.6	11.8	10.4	4.45	8.4	15.3	10.0	16.9
RS10B-LM-1	RS10B-LM-2	10B	15.875	10.16	9.65	1.5	1.5	14.7	13.7	5.08	9.55	17.85	11.25	19.55
RS12B-LM-1	RS12B-LM-2	12B	19.05	12.07	11.68	1.7	1.8	16.1	16.1	5.72	11.1	20.85	13.0	22.75
RS16B-LM-1	RS16B-LM-2	16B	25.40	15.88	17.02	3.2	4.0	21.0	20.8	8.28	17.75	33.55	19.95	35.75
RS20B-LM-1	RS20B-LM-2	20B	31.75	19.05	19.56	3.4	4.4	26.4	26.0	10.19	19.9	38.25	23.1	41.45
RS24B-LM-1	RS24B-LM-2	24B	38.10	25.40	25.40	5.6	6.0	33.4	31.2	14.63	26.65	50.8	31.85	56.0

Tsubaki chain number		Offset pin length L	Transverse pitch C	Min. tensile strength kN{kgf}		Approx. mass kg/m		Links per unit	Allowable speed m/min
1-strand	2-strand			1-strand	2-strand	1-strand	2-strand		
RF06B-LM-1	RF06B-LM-2	14.5	10.24	8.90{910}	16.9{1720}	0.39	0.75	320	160
RS08B-LM-1	RS08B-LM-2	18.6	13.92	17.8{1820}	31.1{3170}	0.70	1.35	240	150
RS10B-LM-1	RS10B-LM-2	20.8	16.59	22.2{2260}	44.5{4540}	0.95	1.85	192	135
RS12B-LM-1	RS12B-LM-2	24.4	19.46	28.9{2950}	57.8{5890}	1.25	2.50	160	120
RS16B-LM-1	RS16B-LM-2	41.1	31.88	60.0{6120}	106 {10800}	2.70	5.40	120	90
RS20B-LM-1	RS20B-LM-2	46.6	36.45	95.0{9690}	170 {17300}	3.85	7.65	96	80
RS24B-LM-1	RS24B-LM-2	61.7	48.36	160 {16300}	280 {28600}	7.45	14.65	80	50

- Note: 1. Cutting and connecting the chain is easy thanks to special pins and rivets that eliminate the need to remove the rivets. (On single-strand chains from RS08B to RS16B). Use sprockets for BS/DIN Series RS Roller Chain. Multi-strand RF06B and RS08B chains have one middle plate. RF06B plate is flat:
2. Various types of surface treatments are also available.
3. Items in bold are stocked in units.
4. Single strand BS Lambda Chain is dimensionally interchangeable with general-purpose BS/DIN RS Roller Chain; however, be aware that the kW ratings and allowable speed differ.
Cannot be used with previous-specifications chain series (stamped with RSD○○BA), including connecting parts such as connecting links and offset links. When replacing a chain, replace the entire chain.

Model numbering example

RS08B -LM -1 -RP + 230L -MCJR

Size: RS08B
Number of strands: LM
Pin type: 1
Series: RP
Number of links: 230L
End link: MCJR

RF06B lube-free roller chain

Maximum kilowatt ratings table (kW ratings for single strand chain)

Small sprocket no. of teeth	Small sprocket max rpm								
	50	100	300	500	700	900	1200	1500	1800
9	0.06	0.11	0.31	0.49	0.66	0.83	1.07	1.31	1.55
10	0.07	0.13	0.35	0.55	0.74	0.93	1.20	1.47	
11	0.08	0.14	0.38	0.61	0.82	1.03	1.33	1.63	
12	0.08	0.16	0.42	0.67	0.90	1.13	1.47		
13	0.09	0.17	0.46	0.73	0.98	1.23	1.60		
14	0.10	0.18	0.50	0.79	1.07	1.34			
15	0.11	0.20	0.54	0.85	1.15	1.44			
16	0.11	0.21	0.57	0.91	1.23	1.54			
17	0.12	0.23	0.61	0.97	1.31	1.65			
18	0.13	0.24	0.65	1.03	1.40	1.75			
19	0.14	0.26	0.69	1.09	1.48				
20	0.15	0.27	0.73	1.16	1.57				
21	0.15	0.29	0.77	1.22	1.65				
22	0.16	0.30	0.81	1.28	1.74				
23	0.17	0.32	0.85	1.35	1.82				
24	0.18	0.33	0.89	1.41					
25	0.19	0.35	0.93	1.47					
26	0.19	0.36	0.97	1.54					

- Note: 1. KW ratings when using a one-pitch offset link are 80% that of the above values.
2. For double-strand chain, multiply the kilowatt ratings in the table above by a multi-strand factor of 1.7.

Lube-Free Roller Chains Kilowatt Ratings Tables BS LAMBDA Chain (ISO 606 B Series)

RS08B lube-free roller chain Maximum kilowatt ratings table (kW ratings for single strand chain)

Small sprocket no. of teeth	Small sprocket max rpm											
	10	25	50	100	200	300	400	500	700	900	1000	1200
9	0.05	0.11	0.20	0.38	0.71	1.02	1.32	1.62	2.19	2.75	3.02	3.56
10	0.05	0.12	0.23	0.43	0.80	1.15	1.48	1.81	2.46	3.08	3.39	
11	0.06	0.14	0.25	0.47	0.88	1.27	1.65	2.01	2.72	3.41	3.75	
12	0.07	0.15	0.28	0.52	0.97	1.40	1.81	2.21	2.99	3.75		
13	0.07	0.16	0.30	0.57	1.06	1.52	1.97	2.41	3.26	4.09		
14	0.08	0.18	0.33	0.61	1.14	1.65	2.13	2.61	3.53			
15	0.08	0.19	0.35	0.66	1.23	1.78	2.30	2.81	3.81			
16	0.09	0.20	0.38	0.71	1.32	1.90	2.47	3.01	4.08			
17	0.10	0.22	0.41	0.76	1.41	2.03	2.63	3.22				
18	0.10	0.23	0.43	0.80	1.50	2.16	2.80	3.42				
19	0.11	0.24	0.46	0.85	1.59	2.29	2.97	3.63				
20	0.11	0.26	0.48	0.90	1.68	2.42	3.14	3.84				
21	0.12	0.27	0.51	0.95	1.77	2.55	3.31	4.04				
22	0.13	0.29	0.54	1.00	1.86	2.68	3.48	4.25				
23	0.13	0.30	0.56	1.05	1.96	2.82	3.65	4.46				
24	0.14	0.32	0.59	1.10	2.05	2.95	3.82					
25	0.14	0.33	0.61	1.15	2.14	3.08	3.99					
26	0.15	0.34	0.64	1.20	2.23	3.22	4.17					

RS10B lube-free roller chain Maximum kilowatt ratings table (kW ratings for single strand chain)

Small sprocket no. of teeth	Small sprocket max rpm									
	10	25	50	100	200	300	400	500	700	900
9	0.07	0.16	0.30	0.55	1.03	1.48	1.92	2.35	3.18	3.99
10	0.08	0.18	0.33	0.62	1.15	1.66	2.15	2.63	3.56	
11	0.09	0.20	0.37	0.69	1.28	1.84	2.39	2.92	3.95	
12	0.09	0.22	0.40	0.75	1.41	2.02	2.62	3.21	4.34	
13	0.10	0.24	0.44	0.82	1.53	2.21	2.86	3.50		
14	0.11	0.26	0.48	0.89	1.66	2.39	3.10	3.79		
15	0.12	0.28	0.51	0.96	1.79	2.58	3.34	4.08		
16	0.13	0.30	0.55	1.03	1.92	2.76	3.58	4.38		
17	0.14	0.32	0.59	1.10	2.05	2.95	3.82	4.67		
18	0.15	0.34	0.63	1.17	2.18	3.14	4.06			
19	0.16	0.36	0.66	1.24	2.31	3.33	4.31			
20	0.16	0.38	0.70	1.31	2.44	3.52	4.55			
21	0.17	0.40	0.74	1.38	2.57	3.71	4.80			
22	0.18	0.42	0.78	1.45	2.71	3.90				
23	0.19	0.44	0.82	1.52	2.84	4.09				
24	0.20	0.46	0.85	1.59	2.97	4.28				
25	0.21	0.48	0.89	1.66	3.11	4.47				
26	0.22	0.50	0.93	1.74	3.24	4.67				

RS12B lube-free roller chain Maximum kilowatt ratings table (kW ratings for single strand chain)

Small sprocket no. of teeth	Small sprocket max rpm										
	10	25	50	100	150	200	300	400	500	600	700
9	0.10	0.23	0.42	0.79	1.13	1.47	2.11	2.74	3.35	3.95	4.53
10	0.11	0.25	0.47	0.88	1.27	1.64	2.37	3.07	3.75	4.42	
11	0.12	0.28	0.52	0.98	1.41	1.82	2.63	3.40	4.16		
12	0.14	0.31	0.58	1.07	1.55	2.00	2.89	3.74	4.57		
13	0.15	0.34	0.63	1.17	1.69	2.18	3.15	4.08			
14	0.16	0.36	0.68	1.27	1.83	2.37	3.41	4.41			
15	0.17	0.39	0.73	1.37	1.97	2.55	3.67	4.76			
16	0.18	0.42	0.78	1.46	2.11	2.73	3.94				
17	0.20	0.45	0.84	1.56	2.25	2.92	4.20				
18	0.21	0.48	0.89	1.66	2.40	3.10	4.47				
19	0.22	0.51	0.94	1.76	2.54	3.29	4.74				
20	0.23	0.54	1.00	1.86	2.68	3.48	5.01				
21	0.25	0.56	1.05	1.96	2.83	3.67					
22	0.26	0.59	1.11	2.07	2.98	3.85					
23	0.27	0.62	1.16	2.17	3.12	4.04					
24	0.29	0.65	1.22	2.27	3.27	4.23					
25	0.30	0.68	1.27	2.37	3.42	4.43					
26	0.31	0.71	1.33	2.47	3.56	4.62					

RS16B lube-free roller chain Maximum kilowatt ratings table (kW ratings for single strand chain)

Small sprocket no. of teeth	Small sprocket max rpm							
	10	25	50	100	150	200	300	350
9	0.32	0.73	1.36	2.54	3.65	4.73	6.82	7.83
10	0.36	0.82	1.52	2.84	4.09	5.30	7.64	8.78
11	0.40	0.90	1.69	3.15	4.54	5.88	8.47	
12	0.44	0.99	1.85	3.46	4.98	6.46		
13	0.47	1.08	2.02	3.77	5.43	7.04		
14	0.51	1.17	2.19	4.09	5.89	7.63		
15	0.55	1.26	2.36	4.40	6.34	8.22		
16	0.59	1.36	2.53	4.72	6.80	8.81		
17	0.63	1.45	2.70	5.04	7.26	9.41		
18	0.68	1.54	2.87	5.36	7.72			
19	0.72	1.63	3.05	5.68	8.19			
20	0.76	1.73	3.22	6.01	8.65			
21	0.80	1.82	3.39	6.33	9.12			
22	0.84	1.91	3.57	6.66	9.59			
23	0.88	2.01	3.74	6.99	10.1			
24	0.92	2.10	3.92	7.32				
25	0.96	2.20	4.10	7.65				
26	1.00	2.29	4.27	7.98				

RS20B lube-free roller chain Maximum kilowatt ratings table (kW ratings for single strand chain)

Small sprocket no. of teeth	Small sprocket max rpm						
	10	25	50	100	150	200	275
9	0.54	1.23	2.30	4.30	6.19	8.02	10.7
10	0.61	1.38	2.58	4.82	6.94	8.99	
11	0.67	1.53	2.86	5.34	7.69	9.96	
12	0.74	1.68	3.14	5.87	8.45	10.9	
13	0.81	1.84	3.43	6.39	9.21		
14	0.87	1.99	3.71	6.93	9.98		
15	0.94	2.14	4.00	7.46	10.8		
16	1.01	2.30	4.29	8.00	11.5		
17	1.08	2.45	4.58	8.54			
18	1.14	2.61	4.87	9.09			
19	1.21	2.77	5.16	9.63			
20	1.28	2.92	5.46	10.2			
21	1.35	3.08	5.75	10.7			
22	1.42	3.24	6.05	11.3			
23	1.49	3.40	6.35	11.8			
24	1.56	3.56	6.64	12.4			
25	1.63	3.72	6.94	13.0			
26	1.70	3.88	7.24				

RS24B lube-free roller chain Maximum kilowatt ratings table (kW ratings for single strand chain)

Small sprocket no. of teeth	Small sprocket max rpm				
	10	25	50	100	125
9	0.97	2.20	4.11	7.67	9.38
10	1.08	2.47	4.61	8.60	10.5
11	1.20	2.74	5.11	9.53	
12	1.32	3.01	5.61	10.5	
13	1.44	3.28	6.12	11.4	
14	1.56	3.55	6.63		
15	1.68	3.83	7.14		
16	1.80	4.10	7.65		
17	1.92	4.38	8.17		
18	2.04	4.66	8.69		
19	2.17	4.94	9.22		
20	2.29	5.22	9.74		
21	2.41	5.50	10.3		
22	2.54	5.79	10.8		
23	2.66	6.07	11.3		
24	2.79	6.36	11.9		
25	2.91	6.64	12.4		
26	3.04	6.93	12.9		

Note: 1. kW ratings when using a one-pitch offset link are 80% of the above values.

2. For double-strand chain, multiply the kilowatt ratings in the table above by a multi-strand factor of 1.7.

Heavy Duty Roller Chain Model Numbering

This page shows the series, number of strands, as well as types of pins and connecting links that can be selected for each size. Also refer to “Ordering RS Roller Chain” on page 19.

Customized items are also available. Please contact a Tsubaki representative.

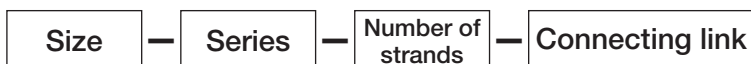
1. Chains ordered by specifying the number of links, etc.



◆ Model numbering example

RS80-SUP-1-RP+110L-MSJR

2. Individual parts, such as connecting links and offset links, ordered by quantity



◆ Model numbering example

RS120-SUPH-2-FSJL

■ Series (column = size; row = series)

	SUP	HT	SUPH	USN
RS60	×	○	×	×
RS80	○	○	○	×
RS100 to RS160	○	○	○	○
RS180	○	×	×	×
RS200	○	○	○	○
RS240	○	○	○	○

■ Pin type (column = size; row = series)

	SUP	HT	SUPH	USN
All sizes	RP	RP	RP	RP

■ End link symbol for connecting links and part names (column = size; row = series)

	SUP	HT	SUPH	USN
All sizes	MSJ/FSJ	MWJ/FWJ*1	MSJ/FSJ	FSJ

Note: *1. RS240-HT is MSJ/FSJ.

■ Number of strands (column = size; row = series)

	SUP	HT	SUPH	USN
RS60	×	1-3	×	×
RS80 to RS240	1-6	1-3	1-3	1

■ Offset link types and part names*1

	SUP
All sizes	4O

Note: *1. Offset links available for single-strand Super Chain only. Not manufactured for other series.

- Part name: 4O is 4-pitch offset link.

How to read chart

○	Available
1	1-strand only
1-3	Select from 1 to 3 strands
1-6	Select from 1 to 6 strands
RP	RP only
MWJ/FWJ	Cotter pins can be selected for M-type and F-type connecting links
MSJ/FSJ	Spring pins can be selected for M-type and F-type connecting links
FSJ	Clips only for F-type connecting links
4O	4-pitch offset link only
×	Not available

Heavy Duty Roller Chains

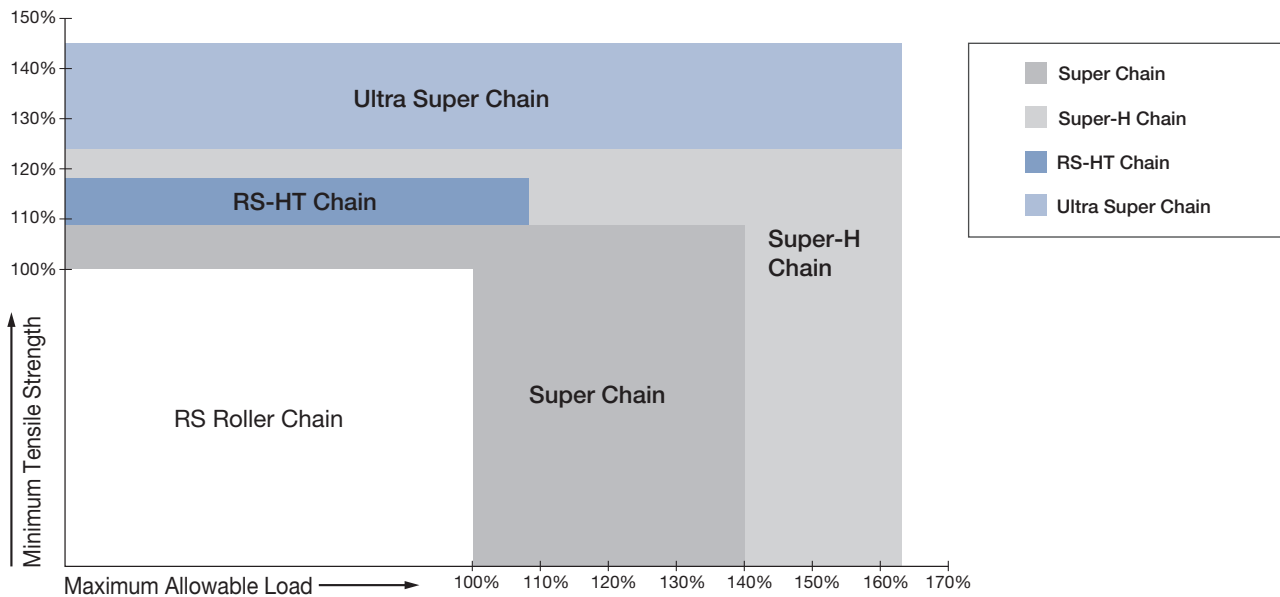
Tsubaki's Heavy Duty Roller Chains come in a wide array of products. Their high maximum allowable load make them commonly used in compact transmission systems. Use Tsubaki Heavy Duty Roller Chains when capacity exceeds that of RS Roller Chains, such as in:

1. Harsh environments where the chain will be subjected to heavy impact.
2. Compact drives for equipment or machines that must work in tight spaces.
3. When higher transmission power, allowable load, or tensile strength is required.
4. When a lower rate of elastic elongation is required.

Ex.: Construction equipment, agricultural equipment, port equipment, vertical parking structures, etc.

Comparison of Min. Tensile Strengths and Max. Allowable Loads

With RS Roller Chain min. tensile strength and max. allowable load as benchmark (100).

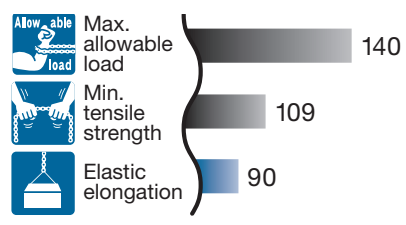
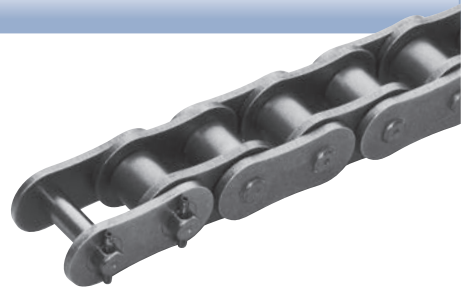


Features

Model Point	Super Chain	RS-HT Chain	Super-H Chain	Ultra Super Chain
Features	<ul style="list-style-type: none"> High kW ratings High shock absorption Users can go one size down from RS Roller Chain 	<ul style="list-style-type: none"> High kW ratings High tensile strength High shock absorption 	<ul style="list-style-type: none"> High fatigue strength High tensile strength High shock absorption Same maximum allowable load as double strand RS Roller Chain Has the highest maximum allowable load of any Tsubaki roller chain 	<ul style="list-style-type: none"> Has the highest tensile strength of any Tsubaki roller chain Users can go two sizes down from RS Roller Chain
Offset links	<ul style="list-style-type: none"> 4-pitch offset links available for single-strand chain. 	<ul style="list-style-type: none"> Offset links are not available. Use an even number of links. 		
Sprockets	<ul style="list-style-type: none"> Both single and multi-strand chains can use RS sprockets 	<ul style="list-style-type: none"> Single-strand chains can use RS sprockets Use dedicated sprockets on multi-strand RS-HT and Super-H chains 		
	<ul style="list-style-type: none"> Small sprockets must have hardened teeth Use sprockets made of S35C or higher carbon steel Tsubaki provides Tough Tooth sprockets ideal for use with Heavy Duty chain 			

Super Chain

Super Chain has the same three basic dimensions of RS Roller Chain, but it has a thicker waist that provides a 40% increase in maximum allowable load over RS Roller Chain. Suitable for situations where RS Roller Chain would suffer fatigue breakage. It also allows users to go one size down.



■ Connecting link with same strength as base chain

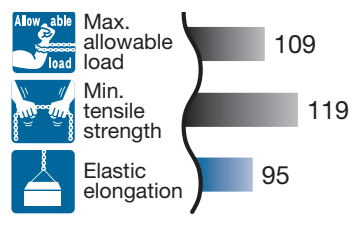
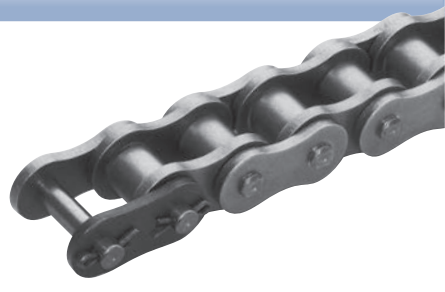
Uses M-type connecting links with ring coining, which allows for easy attachment and removal of the connecting link but provides the same strength as the base chain links.

■ Four pitch offset links (4POL)

Can be used with an odd number links. (Max. allowable load and kW ratings are 85% of the base chain. Only available for single strand chain.)

RS-HT Chain

The outer and inner plates are one size thicker than on RS Roller Chains. RS-HT Chain has 20% greater tensile strength than RS Roller Chain. Ideal for applications requiring high tensile strength and low elastic elongation.

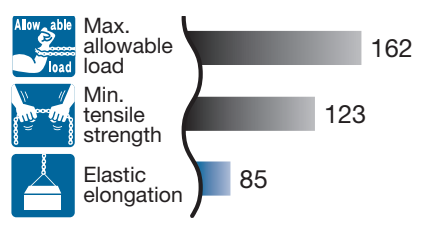
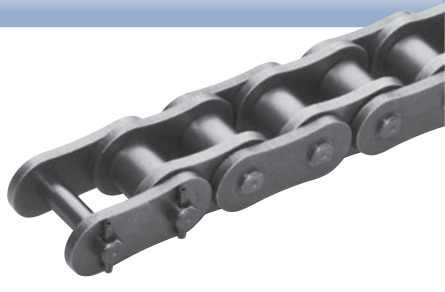


■ Connecting link with same strength as base chain

Uses M-type connecting links with ring coining, which allows for easy attachment and removal of the connecting link but provides the same strength as the base chain links.

Super-H Chain

Features inner and outer link plates shaped the same way as Super Chain that are one size thicker than RS Roller Chain. This gives Super-H Chains a higher allowable load and fatigue strength for applications requiring shock absorption.



■ Connecting link with same strength as base chain

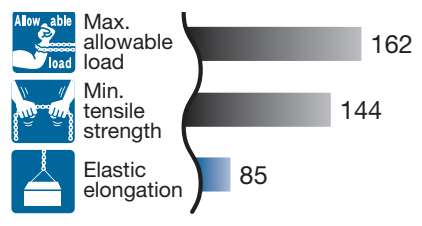
Uses M-type connecting links with ring coining, which allows for easy attachment and removal of the connecting link but provides the same strength as the base chain links.

■ Strengthening of inner plate

The inner plate is also subjected to ring coining to increase the maximum allowable load.

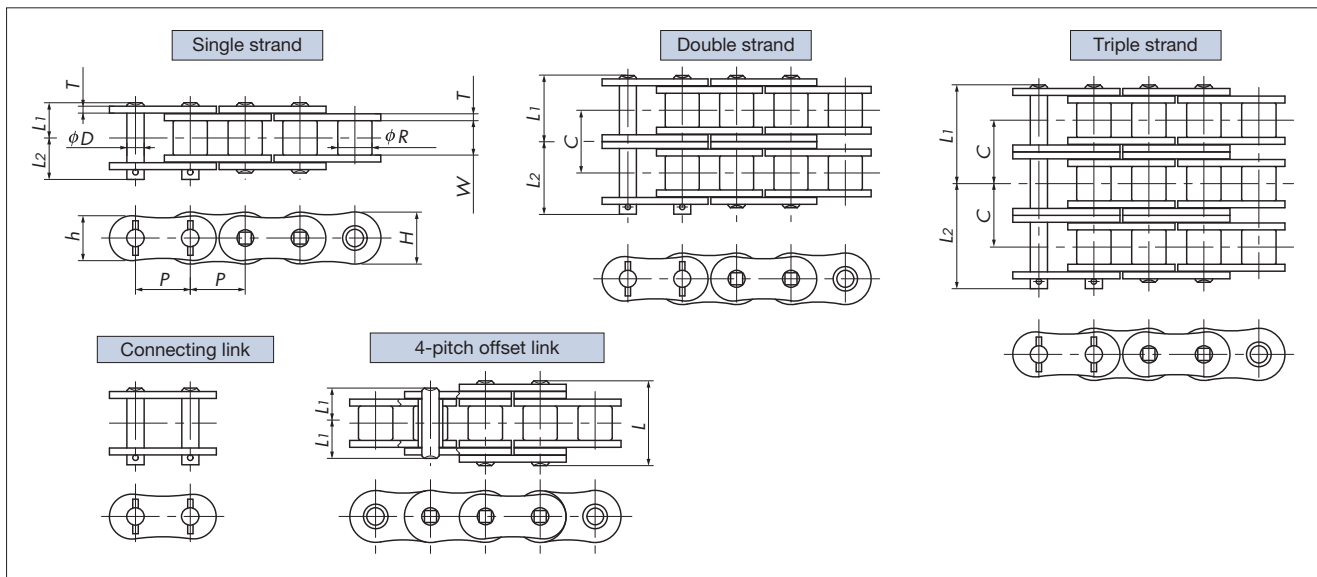
Ultra Super Chain

Inner and outer link plates are oval and one size thicker than RS Roller Chains. These chains have the highest tensile strength of any Tsubaki drive chain.



Note: The values in each graph are shown in relation to RS Roller Chain with a benchmark of 100. (Comparison with RS100.)

Heavy Duty Roller Chains **Super Roller Chain**



Specifications

Size & series	Number of strands	Pitch P	Roller dia. R	Inner width of inner link W	Plates		Pins			Transverse pitch C	Min. tensile strength kN{kgf}	Max. allowable load kN{kgf}	Approx. mass kg/m	
					Thickness T	Height	Dia. D	L ₁	L ₂					
		H		h										
RS80-SUP	1	25.40	15.88	15.88	3.2	24.1	20.8	7.94	16.25	19.25	29.3	74.2 { 7570 }	20.1 { 2050 }	2.81
	2								30.9	33.9		148 { 15140 }	34.2 { 3490 }	5.62
	3								45.6	48.5		223 { 22710 }	50.3 { 5130 }	8.40
RS100-SUP	1	31.75	19.05	19.05	4.0	30.1	26.0	9.54	19.75	22.85	35.8	111 { 11300 }	32.4 { 3300 }	4.25
	2								37.7	40.8		222 { 22600 }	55.0 { 5610 }	8.38
	3								55.65	58.75		332 { 33900 }	80.9 { 8250 }	12.57
RS120-SUP	1	38.10	22.23	25.40	4.8	36.2	31.2	11.11	24.9	28.9	45.4	162 { 16500 }	42.2 { 4300 }	6.3
	2								47.6	51.6		324 { 33000 }	71.7 { 7310 }	12.44
	3								70.4	74.4		485 { 49500 }	105 { 10750 }	18.64
RS140-SUP	1	44.45	25.40	25.40	5.6	42.2	36.4	12.71	26.9	31.7	48.9	213 { 21700 }	56.9 { 5800 }	8.04
	2								51.35	56.15		426 { 43400 }	96.7 { 9860 }	15.92
	3								75.85	80.75		638 { 65100 }	142 { 14500 }	23.84
RS160-SUP	1	50.80	28.58	31.75	6.4	48.2	41.6	14.29	31.85	36.85	58.5	273 { 27800 }	73.5 { 7500 }	10.79
	2								61.15	66.15		545 { 55600 }	125 { 12750 }	21.43
	3								90.45	95.45		818 { 83400 }	184 { 18750 }	32.10
RS180-SUP	1	57.15	35.71	35.72	7.15	54.2	46.8	17.46	35.65	42.45	65.8	358 { 36500 }	85.7 { 8740 }	14.23
	2								68.75	75.35		716 { 73000 }	146 { 14860 }	28.08
	3								101.7	108.5		1070 { 109500 }	214 { 21850 }	40.56
RS200-SUP	1	63.50	39.68	38.10	8.0	60.3	52.0	19.85	39.0	44.8	71.6	439 { 44800 }	100 { 10200 }	17.63
	2								74.85	80.65		879 { 89600 }	170 { 17340 }	34.91
	3								110.75	116.45		1320 { 134400 }	250 { 25500 }	52.44
RS240-SUP	1	76.20	47.63	47.63	9.5	72.4	62.4	23.81	47.9	55.5	87.8	639 { 65200 }	139 { 14200 }	25.63
	2								91.65	99.15		1280 { 130400 }	237 { 24140 }	50.88
	3								135.55	143.05		1920 { 195600 }	348 { 35500 }	76.11

	RS80-SUP	RS100-SUP	RS120-SUP	RS140-SUP	RS160-SUP	RS180-SUP	RS200-SUP	RS240-SUP
4 pitch offset links Pin Length L	39.3	48.0	59.9	65.7	77.2	86.4	94.9	116.0
Links Per Unit	120	96	80	68	60	54	48	40

Note: 1. Four-pitch offset links available for single strand only.

- For dimensions and specifications of four strands or more, contact a Tsubaki representative.
 2. Maximum allowable load when using a four-pitch offset link is 85% that of the above values.
 3. Items in bold are stocked in units.

Model numbering example **RS160 -SUP -1 -RP + 50L -MSJR**

Size Series Number of strands Pin type Number of links End link

Heavy Duty Roller Chains Kilowatt Ratings Tables

RS80-SUP Maximum kilowatt ratings table
(kW ratings for single strand chain)

Lubrication Small sprocket no. of teeth	Small sprocket max rpm											
	10	25	50	100	150	200	300	400	500	600	700	800
	A II			B			C					
13	1.08	2.46	4.59	8.57	12.3	16.0	23.0	29.8	32.1	32.1	32.1	
14	1.17	2.67	4.97	9.28	13.4	17.3	25.0	32.3	35.9	35.9	35.9	
15	1.26	2.87	5.36	10.0	14.4	18.7	26.9	34.8	39.8	39.8	39.8	
16	1.35	3.08	5.75	10.7	15.4	20.0	28.8	37.3	43.8	43.8	43.8	
17	1.44	3.29	6.14	11.4	16.5	21.4	30.8	39.9	48.0	48.0	48.0	
18	1.53	3.50	6.53	12.2	17.5	22.7	32.7	42.4	51.4	51.4	51.4	
19	1.62	3.71	6.92	12.9	18.6	24.1	34.7	45.0	54.4	54.4	54.4	
20	1.70	3.92	7.31	13.6	19.7	25.5	36.7	47.5	57.5	57.5	57.5	
21	1.79	4.13	7.71	14.4	20.7	26.8	38.7	50.1	60.7	60.7	60.7	
22	1.87	4.34	8.11	15.1	21.8	28.2	40.7	52.7	63.8	63.8	63.8	
23	1.96	4.56	8.50	15.9	22.9	29.6	42.7	55.3	66.9	66.9	66.9	
24	2.04	4.77	8.90	16.6	23.9	31.0	44.7	57.9	70.1	70.1	70.1	
25	2.13	4.99	9.31	17.4	25.0	32.4	46.7	60.5	73.2	73.2	73.2	
26	2.21	5.20	9.71	18.1	26.1	33.8	48.7	63.1	76.4	76.4	76.4	
28	2.38	5.64	10.5	19.6	28.3	36.6	52.7	68.3	83.0	83.0	83.0	83.0
30	2.55	6.07	11.3	21.1	30.5	39.5	56.8	73.6	90.0	92.1	92.1	92.1
32	2.72	6.51	12.1	22.7	32.7	42.3	60.9	78.9	96.5	101	101	101
35	2.98	7.17	13.4	25.0	36.0	46.6	67.1	87.0	106	116	116	116
40	3.40	8.28	15.5	28.8	41.6	53.8	77.5	101	123	137	137	137
45	3.83	9.41	17.6	32.8	47.2	61.1	88.1	114	139	156	156	156

RS100-SUP Maximum kilowatt ratings table
(kW ratings for single strand chain)

Lubrication Small sprocket no. of teeth	Small sprocket max rpm										
	10	25	50	100	150	200	300	400	500	600	700
	A II			B		C					
13	2.17	4.96	9.25	17.3	24.9	32.2	46.4	48.9	48.9		
14	2.35	5.37	10.0	18.7	26.9	34.9	50.3	54.0	54.0	54.0	
15	2.54	5.79	10.8	20.2	29.0	37.6	54.2	59.9	59.9	59.9	
16	2.72	6.20	11.6	21.6	31.1	40.3	58.1	66.0	66.0	66.0	
17	2.90	6.62	12.4	23.1	33.2	43.0	62.0	72.3	72.3	72.3	
18	3.09	7.05	13.1	24.5	35.3	45.8	66.0	78.8	78.8	78.8	
19	3.26	7.47	13.9	26.0	37.5	48.5	69.9	85.4	85.4	85.4	
20	3.43	7.90	14.7	27.5	39.6	51.3	73.9	91.8	91.8	91.8	
21	3.60	8.32	15.5	29.0	41.7	54.1	77.9	96.8	96.8	96.8	
22	3.77	8.75	16.3	30.5	43.9	56.9	81.9	102	102	102	
23	3.94	9.18	17.1	32.0	46.1	59.7	85.9	107	107	107	
24	4.11	9.61	17.9	33.5	48.2	62.5	90.0	112	112	112	
25	4.29	10.1	18.7	35.0	50.4	65.3	94.0	117	117	117	
26	4.46	10.5	19.6	36.5	52.6	68.1	98.1	122	122	122	
28	4.80	11.4	21.2	39.5	57.0	73.8	106	132	132	132	
30	5.14	12.2	22.8	42.6	61.4	79.5	115	142	142	142	
32	5.49	13.1	24.5	45.7	65.8	85.2	123	153	153	153	
35	6.00	14.5	27.0	50.3	72.5	93.9	135	170	170	170	170
40	6.86	16.7	31.1	58.1	83.7	108	156	202	207	207	207
45	7.72	19.0	35.4	66.0	95.1	123	177	230	247	247	247

RS120-SUP Maximum kilowatt ratings table
(kW ratings for single strand chain)

Lubrication Small sprocket no. of teeth	Small sprocket max rpm									
	10	25	50	100	150	200	300	400	500	600
	A II		B		C					
13	3.40	7.75	14.5	27.0	38.9	50.4	72.5	73.5	73.5	
14	3.68	8.40	15.7	29.2	42.1	54.6	78.6	82.2	82.2	
15	3.97	9.05	16.9	31.5	45.4	58.8	84.7	91.2	91.2	
16	4.25	9.70	18.1	33.8	48.6	63.0	90.8	100	100	
17	4.54	10.4	19.3	36.1	51.9	67.3	96.9	110	110	
18	4.82	11.0	20.6	38.4	55.2	71.6	103	118	118	
19	5.09	11.7	21.8	40.7	58.6	75.9	109	125	125	
20	5.36	12.3	23.0	43.0	61.9	80.2	116	132	132	
21	5.63	13.0	24.3	45.3	65.2	84.5	122	139	139	
22	5.90	13.7	25.5	47.6	68.6	88.9	128	146	146	
23	6.16	14.4	26.8	50.0	72.0	93.3	134	153	153	
24	6.43	15.0	28.0	52.3	75.4	97.6	141	160	160	
25	6.70	15.7	29.3	54.7	78.8	102	147	168	168	
26	6.97	16.4	30.6	57.1	82.2	107	153	175	175	
28	7.50	17.7	33.1	61.8	89.0	115	166	190	190	
30	8.04	19.1	35.7	66.6	95.9	124	179	204	204	
32	8.58	20.5	38.3	71.4	103	133	192	219	219	
35	9.38	22.6	42.1	78.6	113	147	211	247	247	247
40	10.7	26.1	48.7	90.8	131	170	244	302	302	302
45	12.1	29.6	55.3	103	149	193	277	359	360	360

RS140-SUP Maximum kilowatt ratings table
(kW ratings for single strand chain)

Lubrication Small sprocket no. of teeth	Small sprocket max rpm													
	10	25	50	100	150	200	250	300	350	400	450	500	550	
	A II		B		C									
13	5.34	12.2	22.7	42.5	61.1	79.2	96.8	96.8	96.8	96.8				
14	5.79	13.2	24.6	46.0	66.2	85.8	105	109	109	109	109			
15	6.24	14.2	26.6	49.5	71.4	92.5	113	121	121	121	121			
16	6.69	15.3	28.5	53.1	76.5	99.1	121	133	133	133	133			
17	7.14	16.3	30.4	56.7	81.7	106	129	144	144	144	144			
18	7.59	17.3	32.3	60.3	86.9	113	138	153	153	153	153			
19	8.01	18.4	34.3	64.0	92.1	119	146	162	162	162	162			
20	8.43	19.4	36.2	67.6	97.4	126	154	171	171	171	171			
21	8.85	20.5	38.2	71.3	103	133	163	181	181	181	181			
22	9.27	21.5	40.2	74.9	108	140	171	190	190	190	190			
23	9.70	22.6	42.1	78.6	113	147	179	199	199	199	199			
24	10.1	23.6	44.1	82.3	119	154	188	209	209	209	209			
25	10.5	24.7	46.1	86.0	124	161	196	222	222	222	222	222		
26	11.0	25.8	48.1	89.7	129	167	205	235	235	235	235	235		
28	11.8	27.9	52.1	97.2	140	181	222	261	263	263	263	263		
30	12.6	30.1	56.1	105	151	195	239	282	292	292	292	292		
32	13.5	32.3	60.2	112	162	210	256	302	313	313	313	313		
35	14.8	35.5	66.3	124	178	231	282	333	345	345	345	345		
40	16.9	41.0	76.6	143	206	267	326	384	398	398	398	398		
45	19.0	46.6	87.0	162	234	303	370	436	464	464	464	464	464	

Note: 1. Use standard RS Roller Chain for rpm higher than those shown in the tables.
2. kW ratings when using a four-pitch offset link are 85% of the above values.

Multi-strand factors

Number of chain strands	Multi-strand factor
Two strands	1.7
Three strands	2.5
Four strands	3.3
Five strands	3.9
Six strands	4.6

Lubrication systems and methods

Lubrication system	Method	Details on pg. 216
A II	Drip lubrication	
B	Oil bath or slinger disc lubrication	
C	Forced pump lubrication	

Before Use
 Standard Roller Chains
 Lube-Free Roller Chains
 Heavy Duty Roller Chains
 Corrosion Resistant Roller Chains
 Specialty Roller Chains
 Sprockets
 Pin Gear Drives
 Accessories
 Handling

Heavy Duty Roller Chains Kilowatt Ratings Tables

RS60-HT Maximum kilowatt ratings table
(kW ratings for single strand chain)

Small sprocket max rpm	Small sprocket max rpm															
	10	25	50	100	150	200	300	400	500	600	700	800	900	1000	1100	1200
Lubrication Small sprocket No. of teeth	A I				A II				B				C			
9	0.27	0.61	1.13	2.11	3.04	3.93	5.67	7.34	8.98	10.1	10.1	10.1	10.1			
10	0.30	0.68	1.27	2.36	3.40	4.41	6.35	8.23	10.1	11.4	11.4	11.4	11.4			
11	0.33	0.75	1.40	2.62	3.77	4.89	7.04	9.12	11.1	12.7	12.7	12.7	12.7			
12	0.36	0.83	1.54	2.88	4.14	5.37	7.73	10.0	12.2	13.9	13.9	13.9	13.9			
13	0.39	0.90	1.68	3.14	4.52	5.85	8.43	10.9	13.4	15.2	15.2	15.2	15.2			
14	0.43	0.98	1.82	3.40	4.89	6.34	9.13	11.8	14.5	16.7	16.7	16.7	16.7			
15	0.46	1.05	1.96	3.66	5.27	6.83	9.84	12.7	15.6	18.4	18.5	18.5	18.5			
16	0.49	1.13	2.10	3.93	5.65	7.32	10.6	13.7	16.7	19.7	20.4	20.4	20.4			
17	0.53	1.20	2.25	4.19	6.04	7.82	11.3	14.6	17.8	21.0	22.3	22.3	22.3			
18	0.56	1.28	2.39	4.46	6.42	8.32	12.0	15.5	19.0	22.4	23.7	23.7	23.7			
19	0.59	1.36	2.53	4.73	6.81	8.82	12.7	16.5	20.1	23.7	25.1	25.1	25.1			
20	0.62	1.43	2.68	4.99	7.19	9.32	13.4	17.4	21.3	25.1	26.6	26.6	26.6			
21	0.65	1.51	2.82	5.27	7.58	9.83	14.2	18.3	22.4	26.4	28.0	28.0	28.0			
22	0.69	1.59	2.97	5.54	7.97	10.3	14.9	19.3	23.6	27.8	29.5	29.5	29.5			
23	0.72	1.67	3.11	5.81	8.37	10.8	15.6	20.2	24.7	29.1	30.9	30.9	30.9			
24	0.75	1.75	3.26	6.08	8.76	11.3	16.3	21.2	25.9	30.5	32.5	32.5	32.5			
25	0.78	1.83	3.41	6.36	9.16	11.9	17.1	22.1	27.1	31.9	34.5	34.5	34.5			
26	0.81	1.90	3.55	6.63	9.55	12.4	17.8	23.0	28.2	33.3	36.6	36.6	36.6			
28	0.87	2.06	3.85	7.18	10.3	13.4	19.3	25.0	30.6	36.0	40.9	40.9	40.9			
30	0.93	2.22	4.15	7.74	11.1	14.4	20.8	26.9	32.9	38.8	44.6	44.9	44.9			
32	1.00	2.38	4.45	8.30	12.0	15.5	22.3	28.9	35.3	41.6	47.8	48.1	48.1			
35	1.09	2.63	4.90	9.14	13.2	17.1	24.6	31.8	38.9	45.9	52.7	53.0	53.0			
40	1.25	3.03	5.66	10.6	15.2	19.7	28.4	36.8	44.9	53.0	60.8	61.3	61.3			
45	1.40	3.44	6.43	12.0	17.3	22.4	32.2	41.8	51.0	60.1	69.1	73.2	73.2			

RS80-HT Maximum kilowatt ratings table
(kW ratings for single strand chain)

Small sprocket max rpm	Small sprocket max rpm												
	10	25	50	100	150	200	300	400	500	600	700		
Lubrication Small sprocket No. of teeth	A I			A II			B			C			
9	0.58	1.33	2.49	4.64	6.69	8.66	12.5	16.2	18.2	18.2			
10	0.65	1.49	2.79	5.20	7.49	9.71	14.0	18.1	20.4	20.4			
11	0.73	1.66	3.09	5.77	8.31	10.8	15.5	20.1	22.6	22.6			
12	0.80	1.82	3.39	6.33	9.12	11.8	17.0	22.1	24.9	24.9			
13	0.87	1.98	3.70	6.91	9.95	12.9	18.6	24.0	27.1	27.1			
14	0.94	2.15	4.01	7.48	10.8	14.0	20.1	26.1	29.4	29.4			
15	1.01	2.31	4.32	8.06	11.6	15.0	21.7	28.1	32.6	32.6			
16	1.09	2.48	4.63	8.64	12.4	16.1	23.2	30.1	35.9	35.9			
17	1.16	2.65	4.94	9.23	13.3	17.2	24.8	32.1	39.3	39.3			
18	1.23	2.82	5.26	9.82	14.1	18.3	26.4	34.2	41.8	42.8			
19	1.30	2.99	5.58	10.4	15.0	19.4	28.0	36.2	44.3	46.0			
20	1.37	3.16	5.89	11.0	15.8	20.5	29.6	38.3	46.8	48.7			
21	1.44	3.33	6.21	11.6	16.7	21.6	31.2	40.4	49.3	51.3			
22	1.51	3.50	6.53	12.2	17.6	22.7	32.8	42.4	51.9	53.9			
23	1.58	3.67	6.85	12.8	18.4	23.9	34.4	44.5	54.4	56.6			
24	1.65	3.85	7.18	13.4	19.3	25.0	36.0	46.6	57.0	59.3			
25	1.71	4.02	7.50	14.0	20.2	26.1	37.6	48.7	59.6	61.9			
26	1.78	4.19	7.82	14.6	21.0	27.2	39.2	50.8	62.2	64.6			
28	1.92	4.54	8.48	15.8	22.8	29.5	42.5	55.1	67.3	70.0			
30	2.06	4.89	9.13	17.0	24.5	31.8	45.8	59.3	72.5	77.2			
32	2.19	5.25	9.79	18.3	26.3	34.1	49.1	63.6	77.8	85.0	85.0		
35	2.40	5.78	10.8	20.1	29.0	37.6	54.1	70.1	85.7	97.3	97.3		
40	2.74	6.68	12.5	23.2	33.5	43.4	62.5	81.0	99.0	114	114		
45	3.09	7.58	14.1	26.4	38.0	49.3	71.0	91.9	112	130	130		

RS100-HT Maximum kilowatt ratings table
(kW ratings for single strand chain)

Small sprocket max rpm	Small sprocket max rpm									
	10	25	50	100	150	200	300	400	500	
Lubrication Small sprocket No. of teeth	A I			A II			B			
9	1.10	2.52	4.70	8.78	12.6	16.4	23.6	26.4		
10	1.24	2.82	5.27	9.83	14.2	18.4	26.4	29.6		
11	1.37	3.13	5.84	10.9	15.7	20.3	29.3	32.8		
12	1.51	3.44	6.42	12.0	17.2	22.3	32.2	36.1		
13	1.64	3.75	7.00	13.1	18.8	24.4	35.1	39.3		
14	1.78	4.06	7.58	14.1	20.4	26.4	38.0	42.9		
15	1.92	4.38	8.17	15.2	21.9	28.4	41.0	47.6		
16	2.06	4.69	8.76	16.3	23.5	30.5	43.9	52.4		
17	2.20	5.01	9.35	17.4	25.1	32.6	46.9	57.4	57.4	
18	2.33	5.33	9.94	18.6	26.7	34.6	49.9	62.5	62.5	
19	2.46	5.65	10.5	19.7	28.3	36.7	52.9	67.8	67.8	
20	2.59	5.97	11.1	20.8	29.9	38.8	55.9	71.9	71.9	
21	2.72	6.29	11.7	21.9	31.6	40.9	58.9	75.8	75.8	
22	2.85	6.62	12.3	23.0	33.2	43.0	61.9	79.7	79.7	
23	2.98	6.94	13.0	24.2	34.8	45.1	65.0	83.7	83.7	
24	3.11	7.27	13.6	25.3	36.5	47.2	68.0	87.6	87.6	
25	3.24	7.60	14.2	26.5	38.1	49.4	71.1	91.5	91.5	
26	3.37	7.93	14.8	27.6	39.8	51.5	74.2	95.5	95.5	
28	3.63	8.59	16.0	29.9	43.1	55.8	80.4	103	103	
30	3.89	9.25	17.3	32.2	46.4	60.1	86.6	111	111	
32	4.15	9.92	18.5	34.5	49.8	64.5	92.8	120	121	
35	4.54	10.9	20.4	38.0	54.8	71.0	102	132	139	
40	5.19	12.6	23.6	44.0	63.3	82.0	118	153	170	
45	5.83	14.3	26.7	49.9	71.9	93.1	134	174	196	

RS120-HT Maximum kilowatt ratings table
(kW ratings for single strand chain)

Small sprocket max rpm	Small sprocket max rpm									
	10	25	50	100	150	200	300	400	500	
Lubrication Small sprocket No. of teeth	A I			A II			B		C	
9	1.75	4.00	7.46	13.9	20.1	26.0	37.4	41.1		
10	1.96	4.48	8.36	15.6	22.5	29.1	41.9	46.1		
11	2.18	4.97	9.27	17.3	24.9	32.3	46.5	51.0		
12	2.39	5.46	10.2	19.0	27.4	35.5	51.1	56.1		
13	2.61	5.95	11.1	20.7	29.8	38.7	55.7	61.1		
14	2.83	6.45	12.0	22.4	32.3	41.9	60.3	66.2		
15	3.04	6.94	13.0	24.2	34.8	45.1	65.0	71.3		
16	3.26	7.45	13.9	25.9	37.3	48.4	69.7	76.5		
17	3.49	7.95	14.8	27.7	39.9	51.7	74.4	83.7		
18	3.70	8.46	15.8	29.4	42.4	54.9	79.1	91.2		
19	3.91	8.96	16.7	31.2	45.0	58.3	83.9	98.9		
20	4.11	9.47	17.7	33.0	47.5	61.6	88.7	107		
21	4.32	9.99	18.6	34.8	50.1	64.9	93.5	115	115	
22	4.53	10.5	19.6	36.6	52.7	68.2	98.3	123	123	
23	4.73	11.0	20.6	38.4	55.3	71.6	103	132	132	
24	4.94	11.5	21.5	40.2	57.9	75.0	108	140	140	
25	5.14	12.1	22.5	42.0	60.5	78.3	113	146	146	
26	5.35	12.6	23.5	43.8	63.1	81.7	118	152	152	
28	5.76	13.6	25.4	47.5	68.3	88.5	128	165	165	
30	6.17	14.7	27.4	51.1	73.6	95.4	137	178	178	
32	6.58	15.7	29.4	54.8	79.0	102	147	191	191	
35	7.20	17.3	32.4	60.4	87.0	113	162	210	210	
40	8.23	20.0	37.4	69.7	100	130	187	242	242	
45	9.26	22.7	42.4	79.2	114	148	213	276	286	

Note: Use standard RS Roller Chain for rpm higher than those shown in the tables.

Multi-strand factors

Number of chain strands	Multi-strand factor
Two strands	1.7
Three strands	2.5

Lubrication systems and methods

Lubrication system	Method	Details on pg. 216
A I	Manual lubrication	
A II	Drip lubrication	
B	Oil bath or slinger disc lubrication	
C	Forced pump lubrication	

Before Use

Standard Roller Chains

Lube-Free Roller Chains

Heavy Duty Roller Chains

Corrosion Resistant Roller Chains

Specialty Roller Chains

Heavy Duty Roller Chains Kilowatt Ratings Tables

RS140-HT Maximum kilowatt ratings table
(kW ratings for single strand chain)

Lubrication Small sprocket no. of teeth	Small sprocket max rpm										
	10	25	50	100	150	200	250	300	350	400	450
	A I			A II		B				C	
9	2.70	6.15	11.5	21.4	30.8	40.0	48.9	56.1	56.1		
10	3.02	6.89	12.9	24.0	34.6	44.8	54.7	64.5	65.6		
11	3.35	7.64	14.3	26.6	38.3	49.6	60.7	71.5	72.7		
12	3.68	8.39	15.7	29.2	42.1	54.5	66.7	78.5	79.9		
13	4.01	9.15	17.1	31.9	45.9	59.4	72.7	85.6	87.1		
14	4.34	9.91	18.5	34.5	49.7	64.4	78.7	92.8	94.4		
15	4.68	10.7	19.9	37.2	53.6	69.4	84.8	100	103		
16	5.02	11.4	21.4	39.9	57.4	74.4	90.9	107	114		
17	5.36	12.2	22.8	42.6	61.3	79.4	97.1	114	124		
18	5.69	13.0	24.3	45.3	65.2	84.5	103	122	136	136	
19	6.01	13.8	25.7	48.0	69.1	89.6	109	129	144	144	
20	6.33	14.6	27.2	50.7	73.1	94.7	116	136	152	152	
21	6.64	15.4	28.7	53.5	77.0	100	122	144	161	161	
22	6.96	16.1	30.1	56.2	81.0	105	128	151	169	169	
23	7.28	16.9	31.6	59.0	85.0	110	135	159	177	177	
24	7.59	17.7	33.1	61.8	89.0	115	141	166	186	186	
25	7.91	18.5	34.6	64.6	93.0	120	147	174	194	194	
26	8.22	19.3	36.1	67.3	97.0	126	154	181	204	204	
28	8.86	21.0	39.1	73.0	105	136	166	196	225	228	
30	9.49	22.6	42.1	78.6	113	147	179	211	243	253	
32	10.1	24.2	45.2	84.3	121	157	192	227	260	276	
35	11.1	26.7	49.8	92.8	134	173	212	250	287	304	
40	12.7	30.8	57.5	107	154	200	245	288	331	351	
45	14.2	35.0	65.3	122	175	227	278	327	376	408	408

RS160-HT Maximum kilowatt ratings table
(kW ratings for single strand chain)

Lubrication Small sprocket no. of teeth	Small sprocket max rpm										
	10	25	50	100	150	200	250	300	350	400	
	A I			A II		B				C	
9	4.03	9.20	17.2	32.0	46.2	59.8	73.1	74.5			
10	4.52	10.3	19.2	35.9	51.7	67.0	81.9	87.3			
11	5.01	11.4	21.3	39.8	57.3	74.3	90.8	98.5			
12	5.50	12.6	23.4	43.7	63.0	81.6	100	108			
13	6.00	13.7	25.5	47.7	68.7	88.9	109	118			
14	6.50	14.8	27.7	51.6	74.4	96.4	118	128			
15	7.00	16.0	29.8	55.6	80.1	104	127	138			
16	7.51	17.1	32.0	59.6	85.9	111	136	148			
17	8.02	18.3	34.1	63.7	91.7	119	145	162			
18	8.52	19.5	36.3	67.7	97.6	126	155	177	177		
19	8.99	20.6	38.5	71.8	103	134	164	192	192		
20	9.47	21.8	40.7	75.9	109	142	173	204	207		
21	9.94	23.0	42.9	80.0	115	149	183	215	220		
22	10.4	24.2	45.1	84.1	121	157	192	226	231		
23	10.9	25.3	47.3	88.3	127	165	201	237	243		
24	11.4	26.5	49.5	92.4	133	172	211	248	254		
25	11.8	27.7	51.8	96.6	139	180	220	260	266		
26	12.3	28.9	54.0	101	145	188	230	271	277		
28	13.3	31.3	58.5	109	157	204	249	293	300		
30	14.2	33.8	63.0	118	169	219	268	316	325		
32	15.1	36.2	67.6	126	182	235	288	339	358		
35	16.6	39.9	74.4	139	200	259	317	373	409	409	
40	18.9	46.1	86.0	160	231	299	366	431	485	485	
45	21.3	52.3	97.6	182	262	340	416	490	551	551	

RS200-HT Maximum kilowatt ratings table
(kW ratings for single strand chain)

Lubrication Small sprocket no. of teeth	Small sprocket max rpm											
	10	15	20	30	40	50	70	100	150	200	250	300
	A I			A II				B			C	
9	7.08	10.2	13.2	19.0	24.7	30.1	40.8	56.2	81.0	105	108	
10	7.93	11.4	14.8	21.3	27.6	33.8	45.7	63.0	90.8	118	122	
11	8.79	12.7	16.4	23.6	30.6	37.4	50.7	69.9	101	130	135	
12	9.66	13.9	18.0	26.0	33.6	41.1	55.7	76.7	111	143	148	
13	10.5	15.2	19.7	28.3	36.7	44.8	60.7	83.7	121	156	161	
14	11.4	16.4	21.3	30.7	39.7	48.6	65.8	90.6	131	169	175	
15	12.3	17.7	22.9	33.0	42.8	52.3	70.8	97.6	141	182	192	
16	13.2	19.0	24.6	35.4	45.9	56.1	76.0	105	151	195	211	
17	14.1	20.3	26.3	37.8	49.0	59.9	81.1	112	161	209	231	
18	15.0	21.6	27.9	40.2	52.1	63.7	86.3	119	171	222	252	252
19	15.8	22.9	29.6	42.7	55.3	67.5	91.4	126	182	235	273	273
20	16.6	24.2	31.3	45.1	58.4	71.4	96.6	133	192	249	290	290
21	17.4	25.5	33.0	47.5	61.6	75.3	102	140	202	262	305	305
22	18.3	26.8	34.7	50.0	64.7	79.1	107	148	213	276	321	321
23	19.1	28.1	36.4	52.4	67.9	83.0	112	155	223	289	337	337
24	19.9	29.4	38.1	54.9	71.1	86.9	118	162	234	303	353	353
25	20.8	30.7	39.8	57.4	74.3	90.9	123	170	244	316	369	369
26	21.6	32.1	41.6	59.9	77.5	94.8	128	177	255	330	385	385

RS240-HT Maximum kilowatt ratings table
(kW ratings for single strand chain)

Lubrication Small sprocket no. of teeth	Small sprocket max rpm															
	5	10	15	20	25	30	40	50	60	80	100	125	150	175	200	250
	A I			A II					B							
9	6.46	12.2	17.6	22.8	27.9	32.9	42.6	52.1	61.3	79.5	97.2	119	140	159	159	
10	7.18	13.7	19.7	25.6	31.3	36.8	47.7	58.3	68.7	89.1	109	133	157	180	183	183
11	7.89	15.2	21.9	28.3	34.7	40.8	52.9	64.7	76.2	98.7	121	148	174	200	202	202
12	8.61	16.7	24.0	31.1	38.1	44.9	58.1	71.0	83.7	108	133	162	191	219	222	222
13	9.33	18.2	26.2	34.0	41.5	48.9	63.4	77.4	91.3	118	145	177	208	239	242	242
14	10.0	19.7	28.4	36.8	45.0	53.0	68.6	83.9	98.9	128	157	191	226	259	263	263
15	10.8	21.2	30.6	39.6	48.4	57.1	73.9	90.4	107	138	169	206	243	279	283	283
16	11.5	22.8	32.8	42.5	51.9	61.2	79.3	96.9	114	148	181	221	261	299	299	299
17	12.2	24.3	35.0	45.4	55.5	65.3	84.6	103	122	158	193	236	278	300	300	
18	12.9	25.8	37.2	48.3	59.0	69.5	90.0	110	130	168	205	251	296	303	303	
19	13.6	27.3	39.5	51.2	62.5	73.7	95.5	117	137	178	218	266	314	317	317	
20	14.4	28.7	41.7	54.1	66.1	77.9	101	123	145	188	230	281	330	330		
21	15.1	30.1	44.0	57.0	69.7	82.1	106	130	153	198	243	297	345	345		
22	15.8	31.6	46.3	59.9	73.3	86.3	112	137	161	209	255	312	346	346		
23	16.5	33.0	48.5	62.9	76.9	90.6	117	143	169	219	268	327	370	370		
24	17.2	34.4	50.8	65.8	80.5	94.8	123	150	177	229	280	343	396	396		
25	17.9	35.9	53.1	68.8	84.1	99.1	128	157	185	240	293	358	410	410		
26	18.7	37.3	55.4	71.8	87.7	103	134	164	193	250	306	373	418	418		

Note: Use standard RS Roller Chain for rpm higher than those shown in the tables.

Multi-strand factors

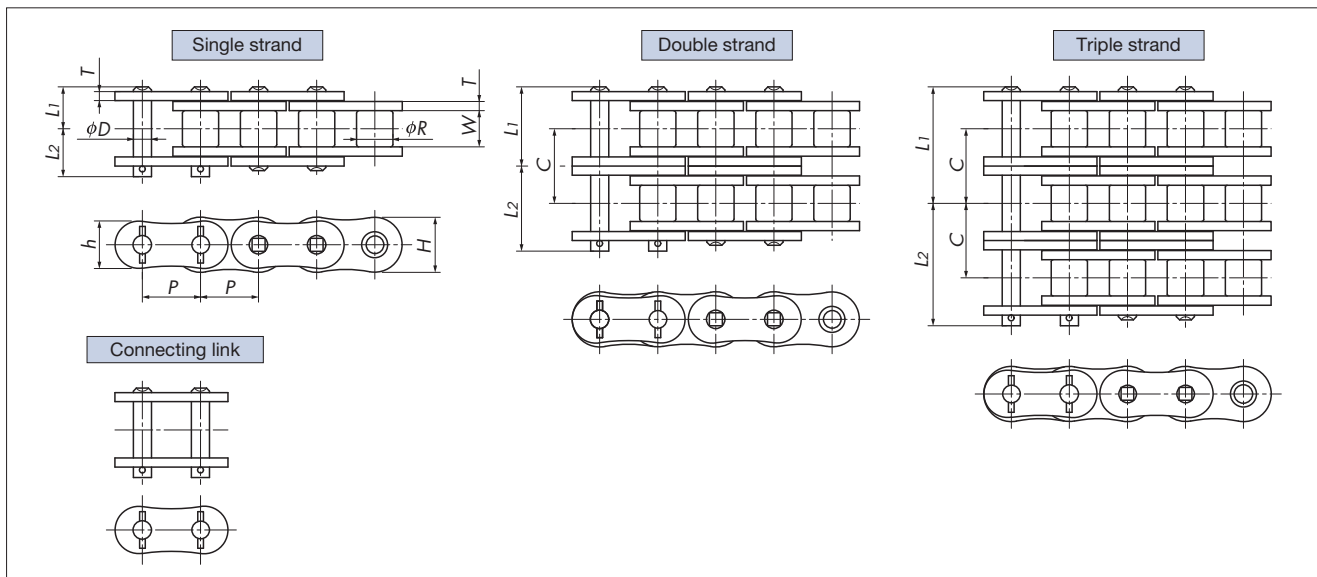
Number of chain strands	Multi-strand factor
Two strands	1.7
Three strands	2.5

Lubrication systems and methods

Lubrication system	Method	Details on pg. 216
A I	Manual lubrication	
A II	Drip lubrication	
B	Oil bath or slinger disc lubrication	
C	Forced pump lubrication	

Before Use
 Standard Roller Chains
 Lube-Free Roller Chains
 Heavy Duty Roller Chains
 Corrosion Resistant Roller Chains
 Specialty Roller Chains
 Sprockets
 Pin Gear Drives
 Accessories
 Handling

Heavy Duty Roller Chains **Super-H Roller Chain**



Specifications

Size & series	Number of strands	Pitch P	Roller dia. R	Inner width of inner link W	Plates		Pins			Transverse pitch C	Min. tensile strength kN{kgf}	Max. allowable load kN{kgf}	Approx. mass kg/m	
					Thickness T	Height H h	Dia. D	L ₁	L ₂					
RS80-SUPH	1	25.40	15.88	15.88	4.0	24.1	20.8	7.94	18.3	20.9	32.6	85.3 { 8700 }	25.0 { 2550 }	3.29
	2								34.6	37.2		171 { 17400 }	42.0 { 4280 }	6.52
	3								50.95	53.55		256 { 26100 }	61.8 { 6300 }	9.75
RS100-SUPH	1	31.75	19.05	19.05	4.8	30.1	26.0	9.54	21.8	24.5	39.1	127 { 12900 }	39.2 { 4000 }	4.88
	2								41.4	44.1		253 { 25800 }	66.7 { 6800 }	9.51
	3								61.0	63.6		380 { 38700 }	98.1 { 10000 }	14.14
RS120-SUPH	1	38.10	22.23	25.40	5.6	36.2	31.2	11.11	26.95	30.55	48.9	171 { 17400 }	53.9 { 5500 }	6.94
	2								51.4	55.0		341 { 34800 }	91.7 { 9350 }	13.51
	3								75.9	79.4		512 { 52200 }	135 { 13750 }	20.09
RS140-SUPH	1	44.45	25.40	25.40	6.4	42.2	36.4	12.71	28.9	33.1	52.2	222 { 22600 }	68.4 { 6970 }	8.88
	2								55.0	59.5		443 { 45200 }	108 { 11050 }	17.38
	3								81.15	85.25		665 { 67800 }	159 { 16250 }	25.88
RS160-SUPH	1	50.80	28.58	31.75	7.15	48.2	41.6	14.29	33.95	38.45	61.9	281 { 28700 }	90.0 { 9180 }	11.72
	2								64.9	69.6		563 { 57400 }	145 { 14790 }	22.97
	3								95.95	100.45		844 { 86100 }	213 { 21750 }	34.22
RS200-SUPH	1	63.50	39.68	38.10	9.5	60.3	52.0	19.85	42.9	48.1	78.3	520 { 53000 }	122 { 12410 }	19.68
	2								82.05	87.3		1040 { 106000 }	183 { 18700 }	38.48
	3								121.25	126.55		1560 { 159000 }	270 { 27500 }	57.29
RS240-SUPH	1	76.20	47.63	47.63	12.7	72.4	62.4	23.81	54.8	62.3	101.2	802 { 81800 }	168 { 17170 }	30.47
	2								105.3	112.9		1600 { 163600 }	257 { 26180 }	59.77
	3								156.05	163.55		2410 { 245400 }	378 { 38500 }	89.09

Note: 1. No offset links available.
2. Use lubrication method A II, B, or C on page 217.

Model numbering example **RS160 -SUPH -1 -RP + 50L -FSJR**

Size

Series

Number of strands

Pin type

Number of links

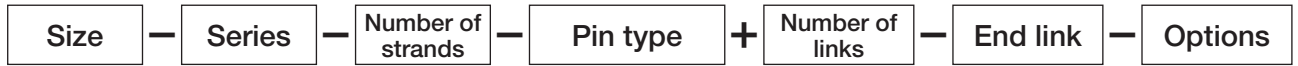
End link

Corrosion Resistant Roller Chain Model Numbering

This page shows the series, number of strands, as well as types of pins and connecting links that can be selected for each size. Also refer to “Ordering RS Roller Chain” on page 19.

Customized items are also available. Please contact a Tsubaki representative.

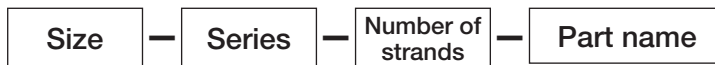
1. Chains ordered by specifying the number of links, etc.



◆ Model numbering example

RS50-SS-1-RP+182L-MCJR

2. Individual parts, such as connecting links and offset links, ordered by quantity



◆ Model numbering example

RS80-NEP-1-MWJL

RS160-NP-1-OL

■ Series

(column = size; row = series)

	SS	NS	AS	LSC	NP	NEP	APP	TI	KT	SNS	PC	PCSY	CUSS
RS25	○	○	—	×	○	×	×	×	×	×	○	×	×
RS35	○	○	—	×	○	○	—	○	○	×	○	×	×
RS40	○	○	○	○	○	○	—	○	○	○	○	○	○
RS50	○	○	○	○	○	○	—	—	○	○	○	○	○
RS60	○	○	○	○	○	○	—	—	○	○	○	○	○
RS80	○	○	○	○	○	○	○	—	○	○	×	×	○
RS100	○	—	—	×	○	○	○	×	○	×	×	×	—
RS120	○	—	—	×	○	○	○	×	○	×	×	×	—
RS140	○	—	—	×	○	○	○	×	○	×	×	×	—
RS160	○	—	—	×	○	○	○	×	○	×	×	×	—
RS180	○	—	—	×	○	—	○	×	—	×	×	×	—
RS200	○	—	—	×	○	—	○	×	—	×	×	×	—
RS240	○	—	—	×	○	—	○	×	—	×	×	×	—

	SS
RS11	○
RS15	○
RS37	○

■ Number of strands

(column = size; row = series)

	SS*1	NS	AS	LSC	NP	NEP	APP	TI	KT	SNS	PC	PCSY	CUSS
RS25	1-3	1	—	×	1/2	×	×	×	×	×	1	×	×
RS35	1-3	1	—	×	1/2	1	—	1	1	×	1	×	×
RS40	1-3*2	1/2	1/2	1	1/2	1/2	—	1	1/2	1	1	1	1
RS50	1-3	1/2	1/2	1	1/2	1-3	—	—	1/2	1	1	1	1
RS60	1-3	1/2	1/2	1	1-3	1-3	—	—	1/2	1	1	1	1
RS80	1-3	1	1	1	1/2	1/2	1/2	—	1	1	×	×	1
RS100	1/2	—	—	×	1/2	1/2	1/2	×	1	×	×	×	—
RS120	1/2	—	—	×	1/2	1/2	1/2	×	1	×	×	×	—
RS140	1/2	—	—	×	1/2	1/2	1/2	×	1	×	×	×	—
RS160	1	—	—	×	1/2	1/2	1/2	×	1	×	×	×	—
RS180	1	—	—	×	1/2	—	1/2	×	—	×	×	×	—
RS200	1	—	—	×	1/2	—	1/2	×	—	×	×	×	—
RS240	1	—	—	×	1/2	—	1/2	×	—	×	×	×	—

Note: *1. RS11, RS15, and RS37 sizes are single-strand only.

*2. 4-strand also available.

Pin type (column = size; row = series)

	SS	NS	AS	LSC	NP	NEP	APP
RS25	RP	RP	—	×	RP	×	×
RS35	RP/CP*2	RP	—	×	RP	RP	—
RS40	RP/CP*3	RP	RP	RP	RP	RP	—
RS50	RP/CP*4	RP	RP	RP	RP	RP	—
RS60	RP/CP*4	RP	RP	RP	RP	RP	—
RS80	RP/CP*2	RP	RP	RP	RP	RP	RP
RS100	RP	—	—	×	RP/CP	RP	RP
RS120	RP	—	—	×	RP/CP	RP	RP
RS140	RP	—	—	×	RP/CP	RP	RP
RS160	RP	—	—	×	RP/CP	RP	RP
RS180	RP	—	—	×	RP/CP	—	RP
RS200	RP	—	—	×	RP/CP	—	RP
RS240	RP	—	—	×	RP	—	RP

How to read chart

○	Available
—	Contact a Tsubaki representative
1-3	Select from 1 to 3 strands
1/2	Select from 1 or 2 strands
1	1-strand only
RP/CP	Select from RP or CP
RP	RP only
MWJ	M-type connecting link with cotter pin only
MCJ	M-type connecting link with clip only
MEJ	M-type connecting link with E-type retaining ring only
MZJ	M-type connecting link with Z-pin only
MSJ	M-type connecting link with spring pin only
○	Offset link only
2○	2-pitch offset link only
×	Not available

	SS
RS11	RP
RS15	RP
RS37	RP

Note: 1. Titanium Chain, Cold Resistant Chain, Low-Noise Chain, Poly Steel Chain, and Curved Stainless Steel Chain are RP only.
 *2. 2-strand and 3-strand chains are RP only.
 *3. 3-strand and 4-strand chains are RP only.
 *4. 3-strand chain is RP only.
 5. Items in bold were standard pin types in the Tsubaki catalog up until April 2020.

End link symbol for connecting links and part names (column = size; row = series)

	SS	NS	AS	LSC	NP	NEP	APP	TI	KT	SNS	PC	PCSY	CUSS
RS25	MCJ	MCJ	—	×	MCJ	×	×	×	×	×	MCJ	×	×
RS35	MCJ*1	MWJ	—	×	MCJ	MCJ	—	MZJ	MWJ	×	MCJ	×	×
RS40	MCJ*2	MWJ	MCJ	MCJ	MCJ	MCJ	—	MZJ	MWJ	MCJ	MCJ	MZJ	MWJ
RS50	MCJ*1	MWJ	MCJ	MCJ	MCJ	MCJ*1	—	—	MWJ	MCJ	MCJ	MZJ	MWJ
RS60	MCJ*1	MWJ	MCJ	MCJ	MCJ*1	MCJ*1	—	—	MWJ	MCJ	MCJ	MZJ	MWJ
RS80	MWJ	MWJ	MWJ	MWJ	MWJ	MWJ	MWJ	—	MWJ	MWJ	×	×	MWJ
RS100	MWJ	—	—	×	MWJ	MWJ	MWJ	×	MWJ	×	×	×	—
RS120	MWJ	—	—	×	MWJ	MWJ	MWJ	×	MWJ	×	×	×	—
RS140	MWJ	—	—	×	MWJ	MWJ	MWJ	×	MWJ	×	×	×	—
RS160	MWJ	—	—	×	MWJ	MWJ	MWJ	×	MWJ	×	×	×	—
RS180	MWJ	—	—	×	MWJ	—	MWJ	×	—	×	×	×	—
RS200	MWJ	—	—	×	MWJ	—	MWJ	×	—	×	×	×	—
RS240	MWJ	—	—	×	MWJ	—	MSJ	×	—	×	×	×	—

	SS
RS11	MCJ
RS15	MEJ
RS37	MWJ

Note: *1. 3-strand chain uses cotter pins only.
 *2. 3-strand and 4-strand chains use cotter pins only.

Offset link types and part names*1 (column = size; row = series)

	SS*2	NS*3	AS*3	LSC	NP	NEP	APP*3	KT*3	SNS
RS25	2○	2○	—	×	2○	×	×	×	×
RS35	○*4	○	—	×	○	○	—	○	×
RS40	○	○	○	○	○	○	—	○	○
RS50	○	○	○	○	○	○*4	—	○	○
RS60	○	○	○	○	○*4	○*4	—	○	○
RS80	○*4	○	○	○*5	○	○	○	○	○
RS100	○*4	—	—	×	○	○	○	○	×
RS120	○*4	—	—	×	○	○	○	○	×
RS140	○*3	—	—	×	○	○	○	○	×
RS160	○*3	—	—	×	○	○	○	○	×
RS180	○*3	—	—	×	○	—	○	—	×
RS200	○*3	—	—	×	○	—	○	—	×
RS240	○*3	—	—	×	○	—	○	—	×

Note: *1. Offset links are not available for Titanium Chain, Poly Steel Chain, or Curved Stainless Steel Chain.
 *2. Offset links are not available for RS11 and RS15 chains. Only offset links are available for RS37.
 *3. Single-strand only.
 *4. Single-strand or 2-strand only.
 *5. Stainless steel rollers only.

• Part names: ○ is offset link; 2○ is two-pitch offset link.

Corrosion Resistant Roller Chain

Stainless Steel Roller Chain

SS Series

- ◆ **Features** These chains offer greater corrosion resistance than Surface Treated Roller Chains. They can be used in water and in corrosive atmospheres that are acidic or alkaline, as well as in low or high temperatures.
- ◆ **Material** 18-8SUS (SUS304 equivalent)*



Note: *Slightly magnetic due to cold working. If connecting links are secured with clips, the clip material will be 17-7SUS (equivalent to SUS301).

NS Series

- ◆ **Features** These chains are suited for applications that require higher corrosion resistance than SS chains.
- ◆ **Material** 18-12SUS (SUS316 equivalent)*



Note: *If connecting links are secured with clips, the clip material will be 17-7SUS (equivalent to SUS301). If secured with cotter pins, cotter pins will be 18-8SUS (equivalent to SUS304) on RS80-NS chain. Non-magnetic except for clips and cotter pins.

AS Series

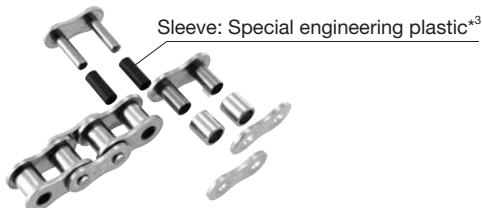
- ◆ **Features** The pins and rollers of these chains are made of precipitation-hardened stainless steel. Corrosion resistance is slightly less than that of SS chains, but maximum allowable load is 1.5 times that of SS chains.
- ◆ **Material** Pins and rollers are precipitation-hardened stainless steel. Plates and bushes are 18-8SUS (SUS304 equivalent)



Note: Magnetic. If connecting links are secured with clips, the clip material will be 17-7SUS (equivalent to SUS301). If secured with cotter pins, cotter pins will be 18-8SUS (equivalent to SUS304).

LSC Series

- ◆ **Features** A lube-free roller chain with a special engineering plastic sleeve inserted between the pins and bushes. Engineering plastic rollers*¹ can also be selected. LSC Series with engineering plastic rollers is 15% lighter*⁴ compared to stainless steel rollers and noise can be reduced by 7 to 10 dB*⁴.
- ◆ **Material** Sleeves are special engineering plastic*¹. Plates, pins, bushes, and rollers are 18-8SUS (SUS304 equivalent)*^{1,2}
- ◆ **Basic construction**



Note: *1. Engineering plastic rollers are white. Sleeves are black. Regularly clean any black wear dust that may be generated.

*2. Magnetic due to cold working. If connecting links are secured with clips, the clip material will be 17-7SUS (equivalent to SUS301), and if secured with cotter pins, cotter pins will be 18-8SUS (equivalent to SUS304).

*3. Be careful of this sleeve falling out during chain disassembly, and always be sure that the sleeves are present between pins and bushes when connecting.

*4. Comparison with SS series is based on in-house testing.

5. Engineering plastic rollers may wear prematurely when used underwater or in environments where water could splash onto them.

Surface Treated Roller Chain

NP Series

- ◆ **Features** These chains are RS Roller Chains with nickel plating. The nickel plating not only improves the appearance, but also adds a small degree of corrosion resistance. Therefore, they can be used in applications where there is exposure to water.
- ◆ **Specs** Nickel-plated RS Roller Chain*^{1,2}
 Note: *1. Maximum allowable load is approximately 15% lower than that of RS Roller Chain.
 *2. Stainless steel may be used for fasteners such as cotter pins and clips.



NEP Series

- ◆ **Features** Surface-treated chains that use a base RS Roller Chain with a special coating and top coating. They have the strength of RS Roller Chain and offer superb saltwater, weather, and chemical resistance. They use no harmful chromium and conform to the RoHS Directive.
- ◆ **Specs** RS Roller Chain with a special coating and top coating*¹
 Note: *1. Stainless steel is used for fasteners such as cotter pins and clips.
 *2. Contact a Tsubaki representative when using in a high-temperature steam environment.
 *3. Galvanic corrosion may occur when steel chains are used with stainless steel sprockets, promoting premature roller wear. Consider the use of coated steel sprockets.
 *4. The middle links of multi-strand chains have slightly less corrosion resistance than with single-strand chains.



APP Series

- ◆ **Features** Pins are treated with a non-strength degrading surface treatment to protect against pitting corrosion that leads to fatigue breakage, making it highly effective in environments that readily promote corrosion, such as outdoor or coastal applications.
- ◆ **Specs** RS Roller Chain* with special surface treatment on the pins
 Note: *Heavy Duty Roller Chains can also be manufactured. Contact a Tsubaki representative for more information.

Other Corrosion Resistant Roller Chains

Titanium Roller Chains

- ◆ **Features** These chains are non-magnetic and offer high corrosion resistance.
- ◆ **Material** Titanium alloy



Cold Resistant Roller Chains

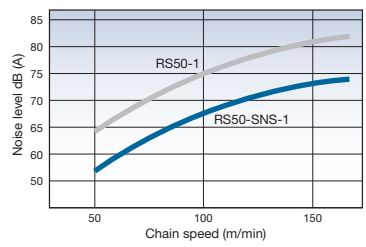
- ◆ **Features** These chains can be used in lower temperatures than RS Roller Chains.
 Note: 1. When using M-type connecting links, maximum allowable load is 80% of the value shown in the catalog.
 2. Chains are coated with an anti-rust oil when shipped. Chain should be lubricated with an oil suitable for the ambient temperature during actual use. Customized models coated with low-temperature silicone oil are also available. Contact a Tsubaki representative.



Low Noise Roller Chains

- ◆ **Features** A specially shaped roller absorbs shock and reduces noise when engaging the sprocket. These chains emit 6 to 8 dB less noise*¹ compared to standard RS Roller Chain. Can be used with standard RS sprockets*².

■ **In-house comparison of noise levels*¹**
Test conditions
 Chain load: 3.29 kN
 Lubrication: Pre-lubrication only
 Measurement position: 300 mm from drive sprocket



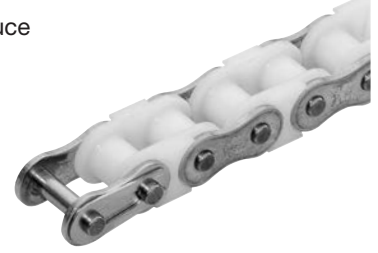
- Note: *1. Based on the results of in-house testing with anti-rust lubricating oil applied at time of shipment.
- *2. If it is not possible to provide sufficient lubrication, the use of sprockets with hardened teeth is recommended. Although dimensional specifications are the same as general-purpose drive chains, the kilowatt rating will be different.
- 3. Oil may spatter depending on usage conditions.



Corrosion Resistant Roller Chain

Poly Steel Chain PC (Standard Series)

- ◆ **Features** Can be used without lubrication. Can also reduce noise by 5 dB*¹ and reduce weight by 50% compared to standard RS Roller Chain.
- ◆ **Material** Outer plates and pins are 18-8SUS (SUS304 equivalent)*²
Inner links are engineering plastic (white)



Note: *1. Based on in-house testing.

*2. Magnetic except for engineering plastic parts. Connecting link clips are 17-7SUS (SUS301 equivalent) stainless steel.

Poly Steel Chain PC-SY (Super Chemical Resistant Series)

- ◆ **Features** Improved corrosion resistance compared to standard PC series.*
- ◆ **Material** Outer plates, pins, and fasteners are titanium alloy
Inner links are engineering plastic (matte white)



Note: *Maximum allowable load is 60% that of standard PC chains.

Curved Stainless Steel Roller Chain

- ◆ **Features** A roller chain that can make large lateral curves*¹ thanks to its special pin and bush construction and the large clearance between link plates. Allows for curved transmission using stainless steel RS sprockets. Ideal for curved conveyors and drives on curved roller conveyors.
- ◆ **Material** 18-8SUS (SUS304 equivalent)*²



Note: *1. A guide is needed in the curved sections.

*2. Magnetic due to cold working.

Precautions When Considering and Adopting Corrosion Resistant Drive Chains

1. Preventing contamination

The coating on Surface Treated Drive Chains may flake off when sliding or when engaging the sprocket. Do not use if the chain will come into direct contact with food, or where coating flakes or wear dust may contaminate food.

In non-food applications, take measures to prevent entry of foreign matter, for example, installing an appropriate cover when used in environments where coating flakes or wear dust may present a problem.

Flaked NEP film has a specific gravity lighter than that of water and will float. Nickel plating is not regulated under the Japan Food Sanitation Act or the Industrial Safety and Health Act.

2. Lubricating oil used on products

SS, NS, and LSC Series Stainless Steel Drive Chains, Titanium Chain, and Curved Stainless Steel Chain are not lubricated with anti-rust oil or lubricating oil at the time of shipment.

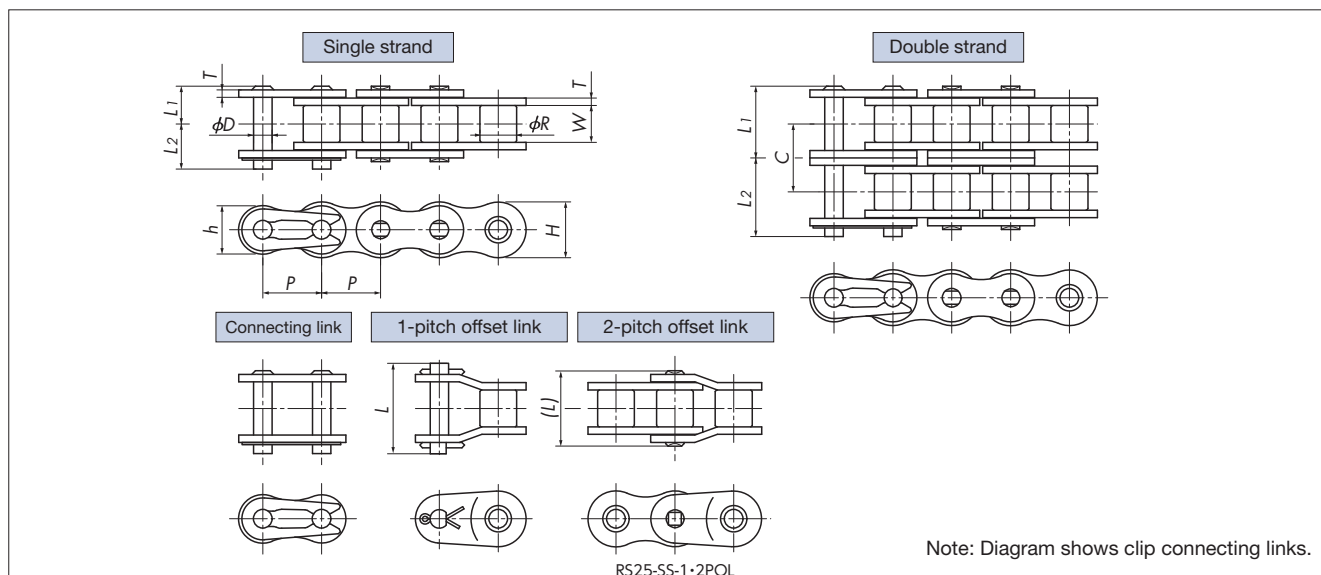
However, oil is applied during assembly. When possible, lubricate before use.

If used degreased or in a similar dry condition or without lubrication, early bending failure may occur, or the chain may reach the end of its wear elongation life prematurely.

Note: Lubricating oil is applied to RS11-SS, RS25-SS and RS25-NS chain.

3. Strength

Maximum allowable load is the value under lubricated conditions including water lubrication.



Specifications

Tsubaki chain number	Pitch P	Roller dia. R	Inner width of inner link W	Plates		Pins				Transverse pitch C	Max. allowable load kN{kgf}	Approx. mass kg/m	Links per unit	
				Thickness T	Height	Dia. D	L ₁	L ₂	Offset pin length L					
					H	h								
RS11-SS-1	3.7465	*2.285	1.83	0.38	3.5	3.5	1.57	2.275	3.165	—	—	0.05 {5}	0.052	134
RS15-SS-1	4.7625	*2.48	2.38	0.6	4.3	4.3	1.62	3.05	3.85	—	—	0.06 {6}	0.075	210
RS25-SS-1	6.35	*3.30	3.18	0.75	5.84	5.05	2.31	3.8	4.8	(7.6)	—	0.12 {12}	0.14	160
RS35-SS-1	9.525	*5.08	4.78	1.25	9.0	7.8	3.59	6.05	6.85	14.5	—	0.26 {27}	0.33	320
RS40-SS-1	12.70	7.92	7.95	1.5	12.0	10.4	3.97	8.25	9.65	18.6	14.4	0.44 {45}	0.64	240
RS40-SS-2								15.45	17.15	33.5		0.88 {90}	1.27	
RS50-SS-1	15.875	10.16	9.53	2.0	15.0	13.0	5.09	10.3	12.0	23.9	18.1	0.69 {70}	1.04	192
RS50-SS-2								19.35	21.05	41.8		1.37 {140}	2.07	
RS60-SS-1	19.05	11.91	12.70	2.4	18.1	15.6	5.96	12.85	14.75	29.4	22.8	1.03 {105}	1.53	160
RS60-SS-2								24.25	26.15	52.6		2.06 {210}	3.04	
RS80-SS-1	25.40	15.88	15.88	3.2	24.1	20.8	7.94	16.25	19.45	39.0	29.3	1.77 {180}	2.66	120
RS80-SS-2								30.90	33.90	67.5		3.53 {360}	5.30	
RS100-SS-1	31.75	19.05	19.05	4.0	30.1	26.0	9.54	19.75	22.85	45.7	35.8	2.55 {260}	3.99	96
RS100-SS-2								37.70	40.80	81.6		5.10 {520}	7.99	
RS120-SS-1	38.10	22.23	25.40	5.0	36.2	31.2	11.11	25.75	29.80	59.7	45.4	3.82 {390}	6.13	80
RS120-SS-2								48.35	52.25	104.9		7.65 {780}	12.22	
RS140-SS-1	44.45	25.40	25.40	6.0	42.2	36.4	12.71	28.15	32.95	66.2	48.9	4.61 {470}	7.91	68
RS140-SS-2								52.70	57.30	117.4		9.22 {940}	15.77	
RS160-SS-1	50.80	28.58	31.75	7.0	48.2	41.6	14.29	33.55	38.55	77.3	58.5	6.37 {650}	10.86	60
RS160-SS-2				6.4				61.15	66.15	132.2		12.7 {1300}	21.66	
RS180-SS-1	57.15	35.71	35.72	7.15	54.2	46.8	17.46	35.65	42.45	84.4	—	8.55 {872}	13.45	54
RS200-SS-1	63.50	39.68	38.10	8.0	60.3	52.0	19.85	39.5	45.3	90.8	—	10.8 {1100}	16.54	48
RS240-SS-1	76.20	47.63	47.63	10.0	72.4	62.4	23.81	49.0	56.5	113.2	—	15.7 {1600}	24.50	40

Note: 1. Chains marked with an asterisk (*) are rollerless; bush diameters are given instead.

Chain sizes greater than RS120-SS have a different plate thickness and pin length from RS Roller Chains.

2. Offset links are not available for RS11-SS-1 and RS15-SS-1 chain. RS25-SS-1 uses only two-pitch offset links.

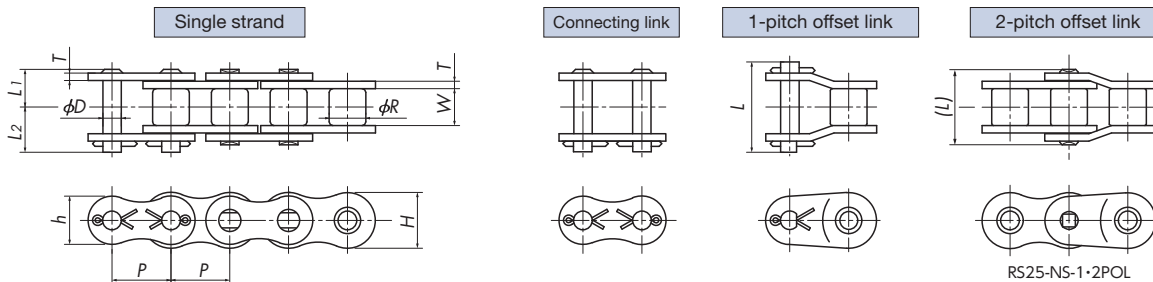
Contact a Tsubaki representative regarding dimensions and specifications of RS37-SS-1.

3. Items in bold are stocked in units.

Model numbering example

RS80 -SS -1 -RP + 110L -MWJR

Size Series Number of strands Pin type Number of links End link



RS25-NS-1·2POL

Note: Diagram shows cotter-pin connecting links.

Specifications

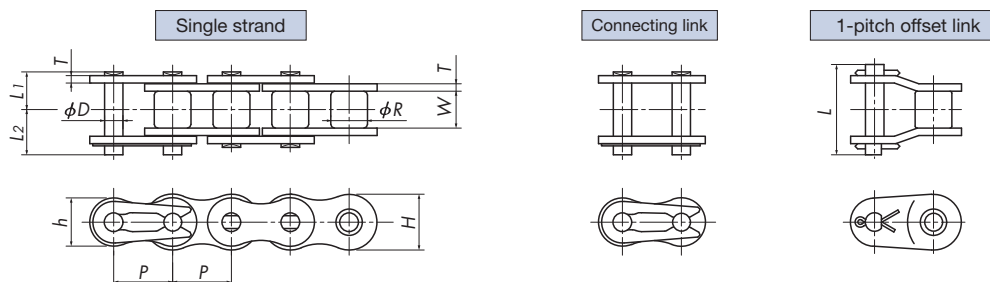
Tsubaki chain number	Pitch P	Roller dia. R	Inner width of inner link W	Plates			Pins				Max. allowable load $kN\{kgf\}$	Approx. mass kg/m
				Thickness T	Height		Dia. D	L_1	L_2	Offset pin length L		
					H	h						
RS25-NS-1	6.35	*3.30	3.18	0.75	5.84	5.05	2.31	3.8	4.8	(7.6)	0.12 {12}	0.14
RS35-NS-1	9.525	*5.08	4.78	1.25	9.0	7.8	3.59	5.85	7.15	14.7	0.26 {27}	0.33
RS40-NS-1	12.70	7.92	7.95	1.5	12.0	10.4	3.97	8.25	9.65	18.6	0.44 {45}	0.64
RS50-NS-1	15.875	10.16	9.53	2.0	15.0	13.0	5.09	10.3	11.9	23.9	0.69 {70}	1.04
RS60-NS-1	19.05	11.91	12.70	2.4	18.1	15.6	5.96	12.85	15.25	29.4	1.03 {105}	1.53
RS80-NS-1	25.40	15.88	15.88	3.2	24.1	20.8	7.94	16.25	19.45	39.0	1.77 {180}	2.66

Note: 1. Chains marked with an asterisk (*) are rollerless; bush diameters are given instead.
2. Only two-pitch offset links are available for RS25-NS-1.

Model numbering example

RS60 -NS -1 -RP + 150L -MWJR

Size Series Number of strands Pin type Number of links End link



Note: Diagram shows clip connecting links.

Specifications

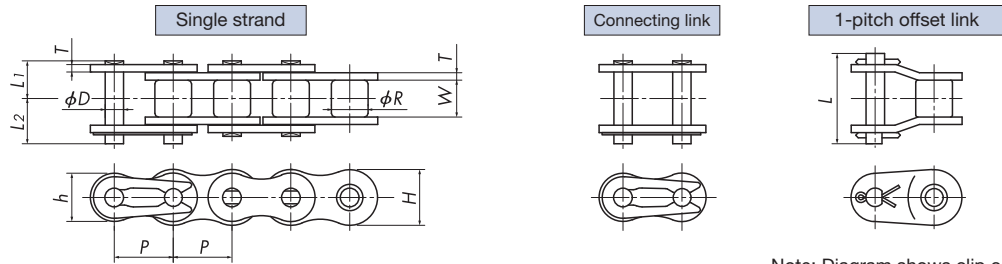
Tsubaki chain number	Pitch P	Roller dia. R	Inner width of inner link W	Plates			Pins				Max. allowable load $kN\{kgf\}$	Approx. mass kg/m	Links per unit
				Thickness T	Height		Dia. D	L_1	L_2	Offset pin length L			
					H	h							
RS40-AS-1	12.70	7.92	7.95	1.5	12.0	10.4	3.97	8.25	9.95	18.6	0.69 {70}	0.64	240
RS50-AS-1	15.875	10.16	9.53	2.0	15.0	13.0	5.09	10.3	12.0	23.9	1.03 {105}	1.04	192
RS60-AS-1	19.05	11.91	12.70	2.4	18.1	15.6	5.96	12.85	14.75	29.4	1.57 {165}	1.53	160
RS80-AS-1	25.40	15.88	15.88	3.2	24.1	20.8	7.94	16.25	19.45	39.0	2.65 {270}	2.66	120

Note: Items in bold are stocked in units.

Model numbering example

RS50 -AS -1 -RP + 182L -MCJR

Size Series Number of strands Pin type Number of links End link



Note: Diagram shows clip connecting links.

Specifications

Size	Pitch <i>P</i>	Roller Dia. <i>R</i>	Inner width of inner link <i>W</i>	Plates			Pins			
				Thickness <i>T</i>	Height		Dia. <i>D</i>	<i>L</i> ₁	<i>L</i> ₂	Offset pin length <i>L</i>
					<i>H</i>	<i>h</i>				
RS40	12.70	7.92	7.95	1.5	12.0	10.4	3.97	8.25	9.95	18.6
RS50	15.875	10.16	9.53	2.0	15.0	13.0	5.09	10.3	12.0	23.9
RS60	19.05	11.91	12.70	2.4	18.1	15.6	5.96	12.85	14.75	29.4
RS80	25.40	15.88	15.88	3.2	24.1	20.8	7.94	16.25	19.25	39.0

	RS40		RS50		RS60		RS80	
	Stainless steel rollers	Engineering plastic rollers	Stainless steel rollers	Engineering plastic rollers	Stainless steel rollers	Engineering plastic rollers	Stainless steel rollers	Engineering plastic rollers
Max. allowable load kN{kgf}	0.44{45}	0.23{23}	0.69{70}	0.34{35}	1.03{105}	0.54{55}	1.77{180}	0.88{90}
Approx. mass kg/m	0.64	0.5	1.04	0.88	1.53	1.27	2.66	2.40

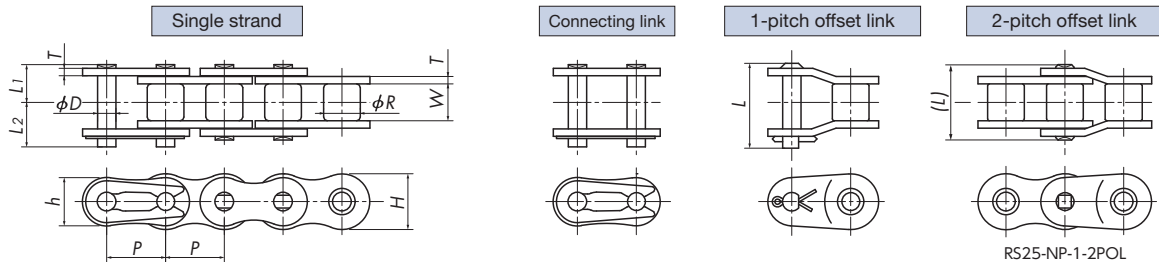
Note: Dimensions are common regardless of roller specifications.

Model numbering example

Stainless steel rollers: **RS40 -LSC -1 -RP + 230L -MCJR**

Size
Series
Number of strands
Pin type
Number of links
End link

Note: For engineering plastic rollers, append SP after the size, for example, RS40SP.



Note: Diagram shows clip connecting links.

Specifications

Tsubaki chain number	Pitch <i>P</i>	Roller dia. <i>R</i>	Inner width of inner link <i>W</i>	Plates			Pins				Min. tensile strength kN{kgf}	Max. allowable load kN{kgf}	Approx. mass kg/m	Links per unit
				Thickness <i>T</i>	Height		Dia. <i>D</i>	<i>L</i> ₁	<i>L</i> ₂	Offset pin length <i>L</i>				
					<i>H</i>	<i>h</i>								
RS25-NP-1	6.35	*3.30	3.18	0.75	5.84	5.05	2.31	3.8	4.5	(7.6)	4.12 {420}	0.64 {65}	0.14	160
RS35-NP-1	9.525	*5.08	4.78	1.25	9.0	7.8	3.59	5.85	6.85	13.5	9.81 {1000}	1.86 {190}	0.33	320
RS40-NP-1	12.70	7.92	7.95	1.5	12.0	10.4	3.97	8.25	9.95	18.2	17.7 {1800}	3.04 {310}	0.64	240
RS50-NP-1	15.875	10.16	9.53	2.0	15.0	13.0	5.09	10.3	11.9	22.6	28.4 {2900}	5.39 {550}	1.04	192
RS60-NP-1	19.05	11.91	12.70	2.4	18.1	15.6	5.96	12.85	14.75	28.2	40.2 {4100}	7.26 {740}	1.53	160
RS80-NP-1	25.40	15.88	15.88	3.2	24.1	20.8	7.94	16.25	19.25	36.6	71.6 {7300}	12.7 {1300}	2.66	120
RS100-NP-1	31.75	19.05	19.05	4.0	30.1	26.0	9.54	19.75	22.85	43.7	107 {10900}	19.1 {1950}	3.99	96
RS120-NP-1	38.10	22.23	25.40	4.8	36.2	31.2	11.11	24.9	28.9	55.0	148 {15100}	25.5 {2600}	5.93	80

Note: 1. Chains marked with an asterisk (*) are rollerless; bush diameters are given instead.

2. Only two-pitch offset links are available for RS25-NP-1. For dimensions and specifications of RS140-NP-1 and above chains, contact a Tsubaki representative.

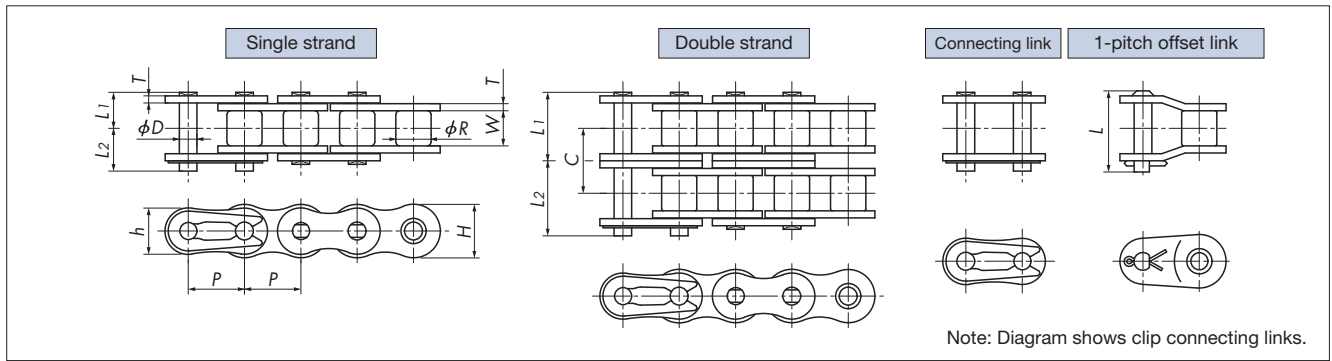
3. Maximum allowable load when using an M-type connecting link on the RS25-NP-1 is 80% of the above. Minimum tensile strength when using a two-pitch offset link on the RS25-NP-1 is 3.82 kN. Maximum allowable load when using a one-pitch offset link is 65% of the above.

4. Items in bold are stocked in units.

Model numbering example

RS80 -NP -1 -RP + 110L -MWJR

Size
Series
Number of strands
Pin type
Number of links
End link



Specifications

Size & series	No. of strands	Pitch <i>P</i>	Roller dia. <i>R</i>	Inner width of inner link <i>W</i>	Plates			Pins				Transverse pitch <i>C</i>
					Thickness <i>T</i>	Height		Dia. <i>D</i>	<i>L</i> ₁	<i>L</i> ₂	Offset pin length <i>L</i>	
					<i>H</i>	<i>h</i>						
RS35-NEP	1	9.525	*5.08	4.78	1.25	9.0	7.8	3.59	5.85	6.85	13.5	—
RS40-NEP	1	12.70	7.92	7.95	1.5	12.0	10.4	3.97	8.25	9.95	18.2	14.4
	2								15.45	17.15	33.5	
RS50-NEP	1	15.875	10.16	9.53	2.0	15.0	13.0	5.09	10.3	11.9	22.6	18.1
	2								19.35	21.15	41.8	
RS60-NEP	1	19.05	11.91	12.70	2.4	18.1	15.6	5.96	12.85	14.75	28.2	22.8
	2								24.25	26.25	52.6	
RS80-NEP	1	25.40	15.88	15.88	3.2	24.1	20.8	7.94	16.25	19.25	38.2	29.3
	2								30.9	33.9	67.5	
RS100-NEP	1	31.75	19.05	19.05	4.0	30.1	26.0	9.54	19.75	22.85	45.7	35.8
	2								37.7	40.8	81.5	
RS120-NEP	1	38.10	22.23	25.40	4.8	36.2	31.2	11.11	24.9	28.9	57.8	—
RS140-NEP	1	44.45	25.40	25.40	5.6	42.2	36.4	12.71	26.9	31.7	63.4	—
RS160-NEP	1	50.80	28.58	31.75	6.4	48.2	41.6	14.29	31.85	36.85	73.6	—

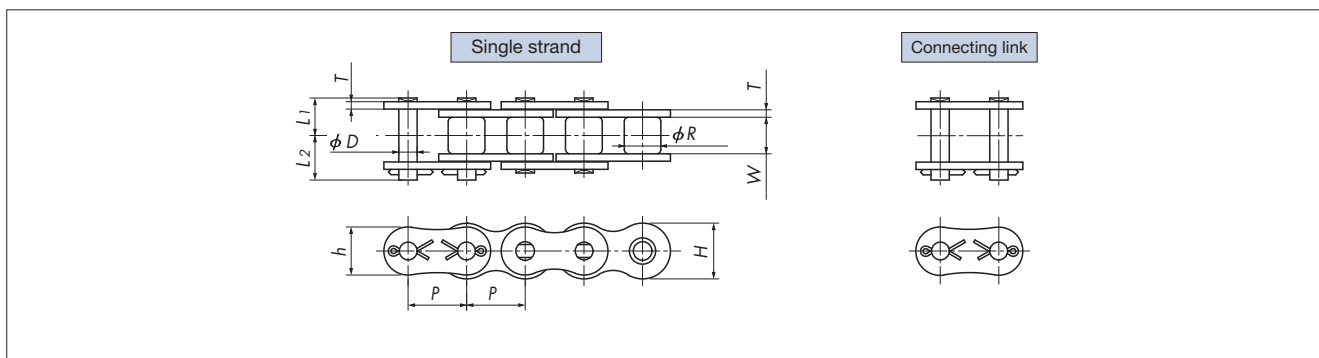
	RS35-NEP	RS40-NEP		RS50-NEP		RS60-NEP		RS80-NEP		RS100-NEP		RS120-NEP	RS140-NEP	RS160-NEP
	1-strand	1-strand	2-strand	1-strand	2-strand	1-strand	2-strand	1-strand	2-strand	1-strand	2-strand	1-strand	1-strand	1-strand
Min. tensile strength kN{kgf}	9.81 {1000}	17.7 {1800}	35.3 {3600}	28.4 {2900}	56.9 {5800}	40.2 {4100}	80.4 {8200}	71.6 {7300}	143 {14600}	107 {10900}	214 {21800}	148 {15100}	193 {19700}	255 {26000}
Max. allowable load kN{kgf}	2.16 {220}	3.63 {370}	6.18 {630}	6.37 {650}	10.8 {1100}	8.83 {900}	15.0 {1530}	14.7 {1500}	25.0 {2550}	22.6 {2300}	38.3 {3910}	30.4 {3100}	40.2 {4100}	53.0 {5400}
Approx. mass kg/m	0.33	0.64	1.27	1.04	2.07	1.53	3.04	2.66	5.27	3.99	7.85	5.93	7.49	10.1
Links per unit	320	240		192		160		120		96		80	68	60

- Note: 1. Chains marked with an asterisk (*) are rollerless; bush diameters are given instead.
 2. Two-pitch offset links are not available. Multi-strand RS35-NEP is not available.
 Contact a Tsubaki representative for information regarding RS180 and above chains.
 3. Maximum allowable load when using a one-pitch offset link is 65% of the above.
 4. Items in bold are stocked in units.

Model numbering example

RS100 -NEP -1 -RP + 86L -MWJR

Size Series Number of strands Pin type Number of links End link



Specifications

Tsubaki chain number	Pitch P	Roller dia. R	Inner width of inner link W	Plates			Pins		
				Thickness T	Height		Dia. D	L ₁	L ₂
					H	h			
RS80-APP-1	25.40	15.88	15.88	3.2	24.1	20.8	7.94	16.25	19.25
RS100-APP-1	31.75	19.05	19.05	4.0	30.1	26.0	9.54	19.75	22.85
RS120-APP-1	38.10	22.23	25.40	4.8	36.2	31.2	11.11	24.9	28.9
RS140-APP-1	44.45	25.4	25.40	5.6	42.2	36.4	12.71	26.9	31.7
RS160-APP-1	50.80	28.58	31.75	6.4	48.2	41.6	14.29	31.85	36.85
RS180-APP-1	57.15	35.71	35.72	7.15	54.2	46.8	17.46	35.65	42.45
RS200-APP-1	63.50	39.68	38.10	8.0	60.3	52.0	19.85	39.0	44.8
RS240-APP-1	76.20	47.63	47.63	9.5	72.4	62.4	23.81	47.9	55.5

	RS80-APP-1	RS100-APP-1	RS120-APP-1	RS140-APP-1	RS160-APP-1	RS180-APP-1	RS200-APP-1	RS240-APP-1
Min. tensile strength kN{kgf}	71.6 {7300}	107 {10900}	148 {15100}	193 {19700}	255 {26000}	336 {34300}	427 {43500}	623 {63500}
Max. allowable load kN{kgf}	14.7 {1500}	22.6 {2300}	30.4 {3100}	40.2 {4100}	53.0 {5400}	60.8 {6200}	71.6 {7300}	99.0 {10100}
Approx. mass kg/m	2.66	3.99	5.93	7.49	10.10	13.45	16.49	24.5

Note: 1. Maximum allowable load when using a one-pitch offset link is 65% of the above.

2. Contact a Tsubaki representative regarding dimensions and specifications of offset links.

Other sizes and other series such as Heavy Duty Roller Chain can also be manufactured with APP specifications.

Contact a Tsubaki representative.

Model numbering example

RS80 -APP -1 -RP + 110L -MWJR

Size

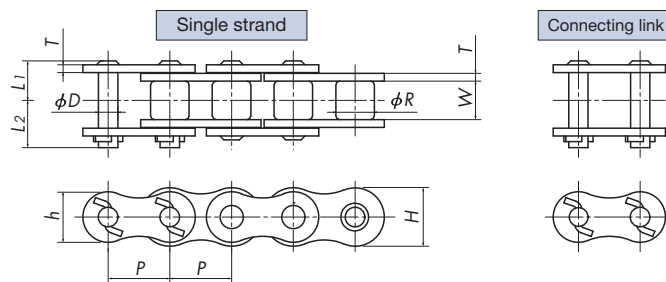
Series

Number of strands

Pin type

Number of links

End link



Specifications

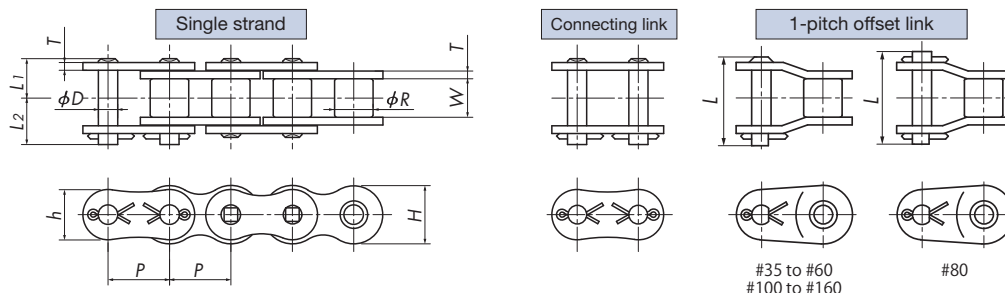
Tsubaki chain number	Pitch P	Roller dia. R	Inner width of inner link W	Plates			Pins			Max. allowable load kN{kgf}	Approx. mass kg/m
				Thickness T	Height		Dia. D	L ₁	L ₂		
					H	h					
RS35-TI-1	9.525	*5.08	4.78	1.25	9.0	7.8	3.59	6.05	7.15	0.26 {27}	0.19
RS40-TI-1	12.70	7.92	7.95	1.5	12.0	10.4	3.97	8.25	10.1	0.44 {45}	0.37

Note: 1. Chains marked with an asterisk (*) are rollerless; bush diameters are given instead.
2. Offset links are not available.

Model numbering example

RS35 -TI -1 -RP + 310L -MZJR

Size Series Number of strands Pin type Number of links End link



Specifications

Tsubaki chain number	Pitch P	Roller dia. R	Inner width of inner link W	Plates			Pins				Min. tensile strength kN{kgf}	Max. allowable load kN{kgf}
				Thickness T	Height		Dia. D	L ₁	L ₂	Offset pin length L		
					H	h						
RS35-KT-1	9.525	*5.08	4.78	1.25	9.0	7.8	3.59	5.85	7.05	13.5	9.81 {1000}	2.16 {220}
RS40-KT-1	12.70	7.92	7.95	1.5	12.0	10.4	3.97	8.25	9.65	18.0	17.7 {1800}	3.63 {370}
RS50-KT-1	15.875	10.16	9.53	2.0	15.0	13.0	5.09	10.3	11.9	22.6	28.4 {2900}	6.37 {650}
RS60-KT-1	19.05	11.91	12.70	2.4	18.1	15.6	5.96	12.85	15.25	28.2	40.2 {4100}	8.83 {900}
RS80-KT-1	25.40	15.88	15.88	3.2	24.1	20.8	7.94	16.25	19.25	38.8	71.6 {7300}	14.7 {1500}
RS100-KT-1	31.75	19.05	19.05	4.0	30.1	26.0	9.54	19.75	22.85	43.7	107 {10900}	22.6 {2300}
RS120-KT-1	38.10	22.23	25.40	4.8	36.2	31.2	11.11	24.9	28.9	55.0	148 {15100}	30.4 {3100}
RS140-KT-1	44.45	25.40	25.40	5.6	42.2	36.4	12.71	26.9	31.7	59.5	193 {19700}	40.2 {4100}
RS160-KT-1	50.80	28.58	31.75	6.4	48.2	41.6	14.29	31.85	36.85	70.2	255 {26000}	53.0 {5400}

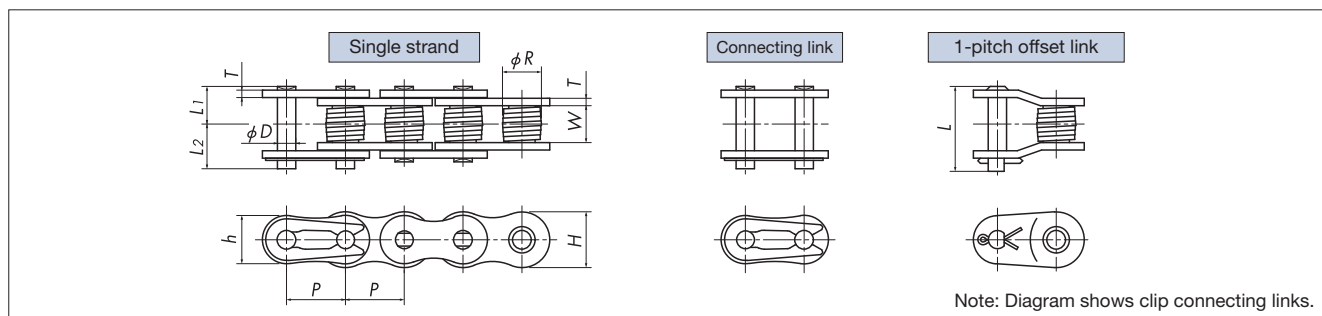
	RS35-KT-1	RS40-KT-1	RS50-KT-1	RS60-KT-1	RS80-KT-1	RS100-KT-1	RS120-KT-1	RS140-KT-1	RS160-KT-1
Approx. mass kg/m	0.33	0.64	1.04	1.53	2.66	3.99	5.93	7.49	10.10

Note: 1. Chains marked with an asterisk (*) are rollerless; bush diameters are given instead.
2. Maximum allowable load when using an M-type connecting link is 80% of the above.
3. Maximum allowable load when using a one-pitch offset link is 65% of the above.

Model numbering example

RS140 -KT -1 -RP + 58L -MWJR

Size Series Number of strands Pin type Number of links End link



Specifications

Tsubaki chain number	Pitch P	Roller dia. R	Inner width of inner link W	Plates			Pins				Min. tensile strength kN{kgf}	Max. allowable load kN{kgf}
				Thickness T	Height		Dia. D	L ₁	L ₂	Offset pin length L		
					H	h						
RS40-SNS-1	12.70	8.5	7.95	1.5	12.0	10.4	3.97	8.25	9.95	18.2	17.7 {1800}	3.63 {370}
RS50-SNS-1	15.875	10.8	9.53	2.0	15.0	13.0	5.09	10.3	11.9	22.6	28.4 {2900}	6.37 {650}
RS60-SNS-1	19.05	12.6	12.70	2.4	18.1	15.6	5.96	12.85	14.75	28.2	40.2 {4100}	8.83 {900}
RS80-SNS-1	25.40	16.8	15.88	3.2	24.1	20.8	7.94	16.25	19.25	36.6	71.6 {7300}	14.7 {1500}
		RS40-SNS-1		RS50-SNS-1		RS60-SNS-1		RS80-SNS-1				
Approx. mass kg/m		0.64		1.04		1.53		2.66				
Links per unit		240		192		160		120				

Note: 1. Allowable speed 200 m/min

2. Uses the same connecting link as standard RS Roller Chain.
3. Maximum allowable load when using a one-pitch offset link is 65% of the above.
4. Items in bold are stocked in units.

Model numbering example

RS40 -SNS -1 -RP + 230L -MCJR

Size

Series

Number of strands

Pin type

Number of links

End link

■ RS40-SNS Maximum kilowatt ratings table
(kW ratings for single strand chain)

Lubrication Small sprocket No. of teeth	Small sprocket max rpm													
	10	25	50	100	200	300	400	500	700	900	1000	1200	1400	1600
	A I				A II				B					
9	0.05	0.11	0.21	0.39	0.72	1.04	1.35	1.64	1.06	0.73	0.62	0.47	0.38	0.31
10	0.05	0.12	0.23	0.43	0.81	1.16	1.51	1.84	1.25	0.85	0.73	0.55	0.44	
11	0.06	0.14	0.26	0.48	0.90	1.29	1.67	2.04	1.44	0.99	0.84	0.64	0.51	
12	0.07	0.15	0.28	0.53	0.98	1.42	1.84	2.24	1.64	1.12	0.96	0.73		
13	0.07	0.17	0.31	0.57	1.07	1.54	2.00	2.45	1.85	1.27	1.08	0.82		
14	0.08	0.18	0.33	0.62	1.16	1.67	2.17	2.65	2.06	1.42	1.21			
15	0.08	0.19	0.36	0.67	1.25	1.80	2.34	2.86	2.29	1.57	1.34			
16	0.09	0.21	0.39	0.72	1.34	1.93	2.50	3.06	2.52	1.73				
17	0.10	0.22	0.41	0.77	1.43	2.06	2.67	3.27	2.76	1.89				
18	0.10	0.23	0.44	0.82	1.52	2.20	2.84	3.48	3.01					
19	0.11	0.25	0.46	0.87	1.62	2.33	3.02	3.69	3.26					
20	0.12	0.26	0.49	0.92	1.71	2.46	3.19	3.90	3.52					
21	0.12	0.28	0.52	0.96	1.80	2.59	3.36	4.11	3.79					
22	0.13	0.29	0.54	1.01	1.89	2.73	3.53	4.32	4.06					
23	0.13	0.31	0.57	1.06	1.99	2.86	3.71	4.53						
24	0.14	0.32	0.60	1.11	2.08	3.00	3.88	4.74						
25	0.15	0.33	0.62	1.16	2.17	3.13	4.06	4.96						
26	0.15	0.35	0.65	1.21	2.27	3.27	4.23	5.17						
28	0.17	0.38	0.71	1.32	2.46	3.54	4.58	5.60						
30	0.18	0.41	0.76	1.42	2.65	3.81	4.94	6.04						
32	0.19	0.44	0.81	1.52	2.84	4.09	5.29							
35	0.21	0.48	0.90	1.67	3.13	4.50	5.83							
40	0.24	0.56	1.04	1.93	3.61	5.20								
45	0.28	0.63	1.18	2.20	4.10	5.91								

■ RS50-SNS Maximum kilowatt ratings table
(kW ratings for single strand chain)

Lubrication Small sprocket No. of teeth	Small sprocket max rpm											
	10	25	50	100	200	300	400	500	700	900	1000	1200
	A I				A II				B			
9	0.10	0.23	0.43	0.80	1.49	2.15	2.78	2.11	1.27	0.87	0.74	0.57
10	0.11	0.26	0.48	0.90	1.67	2.41	3.12	2.47	1.49	1.02	0.87	0.66
11	0.12	0.28	0.53	0.99	1.85	2.67	3.46	2.85	1.72	1.18	1.01	
12	0.14	0.31	0.58	1.09	2.03	2.93	3.80	3.24	1.96	1.34	1.15	
13	0.15	0.34	0.64	1.19	2.22	3.19	4.14	3.66	2.21	1.51		
14	0.16	0.37	0.69	1.29	2.40	3.46	4.48	4.09	2.47			
15	0.17	0.40	0.74	1.39	2.59	3.73	4.83	4.53	2.74			
16	0.19	0.43	0.80	1.49	2.78	4.00	5.18	4.99	3.01			
17	0.20	0.46	0.85	1.59	2.96	4.27	5.53	5.47	3.30			
18	0.21	0.49	0.91	1.69	3.15	4.54	5.88	5.96				
19	0.23	0.51	0.96	1.79	3.34	4.81	6.24	6.46				
20	0.24	0.54	1.01	1.89	3.53	5.09	6.59	6.98				
21	0.25	0.57	1.07	2.00	3.72	5.36	6.95	7.51				
22	0.26	0.60	1.12	2.10	3.91	5.64	7.31	8.05				
23	0.28	0.63	1.18	2.20	4.11	5.92	7.66	8.60				
24	0.29	0.66	1.24	2.30	4.30	6.19	8.03	9.17				
25	0.30	0.69	1.29	2.41	4.49	6.47	8.39	9.75				
26	0.32	0.72	1.35	2.51	4.69	6.75	8.75					
28	0.34	0.78	1.46	2.72	5.08	7.32	9.48					
30	0.37	0.84	1.57	2.93	5.47	7.88	10.2					
32	0.40	0.90	1.69	3.14	5.87	8.45						
35	0.44	0.99	1.86	3.46	6.46	9.31						
40	0.50	1.15	2.14	4.00	7.47	10.8						
45	0.57	1.30	2.44	4.54	8.48							

■ RS60-SNS Maximum kilowatt ratings table
(kW ratings for single strand chain)

Lubrication Small sprocket No. of teeth	Small sprocket max rpm														
	10	25	50	100	150	200	300	400	500	600	700	800	900	1000	1100
	A I				A II				B						
9	0.18	0.41	0.76	1.41	2.03	2.63	3.79	3.41	2.44	1.85	1.47	1.20	1.01	0.86	0.75
10	0.20	0.45	0.85	1.58	2.28	2.59	4.25	3.99	2.85	2.17	1.72	1.41	1.18	1.01	
11	0.22	0.50	0.94	1.75	2.53	3.27	4.71	4.60	3.29	2.50	1.99	1.63	1.36		
12	0.24	0.55	1.03	1.93	2.77	3.59	5.18	5.24	3.79	2.85	2.26	1.85			
13	0.26	0.60	1.13	2.10	3.03	3.92	5.65	5.91	4.23	3.22	2.55	2.09			
14	0.29	0.65	1.22	2.28	3.28	4.25	6.12	6.61	4.73	3.60	2.85				
15	0.31	0.70	1.31	2.45	3.53	4.57	6.59	7.33	5.24	3.99					
16	0.33	0.75	1.41	2.63	3.79	4.90	7.06	8.07	5.78	4.39					
17	0.35	0.81	1.50	2.81	4.04	5.24	7.54	8.84	6.33	4.81					
18	0.38	0.86	1.60	2.98	4.30	5.57	8.02	9.63	6.89						
19	0.40	0.91	1.70	3.16	4.56	5.90	8.51	10.4	7.47						
20	0.42	0.96	1.79	3.34	4.82	6.24	8.99	11.3	8.07						
21	0.44	1.01	1.89	3.53	5.08	6.58	9.48	12.1							
22	0.47	1.06	1.99	3.71	5.34	6.92	9.96	12.9							
23	0.49	1.12	2.08	3.89	5.60	7.26	10.5	13.5							
24	0.51	1.17	2.18	4.07	5.87	7.60	10.9	14.2							
25	0.54	1.22	2.28	4.26	6.13	7.94	11.4	14.8							
26	0.56	1.28	2.38	4.44	6.40	8.29	11.9	15.5							
28	0.61	1.38	2.58	4.81	6.93	8.98	12.9								
30	0.65	1.49	2.78	5.18	7.46	9.67	13.9								
32	0.70	1.60	2.98	5.56	8.00	10.4	14.9								
35	0.77	1.76	3.28	6.12	8.82	11.4									
40	0.89	2.03	3.79	7.07	10.2	13.2									
45	1.01	2.31	4.30	8.03	11.6	15.0									

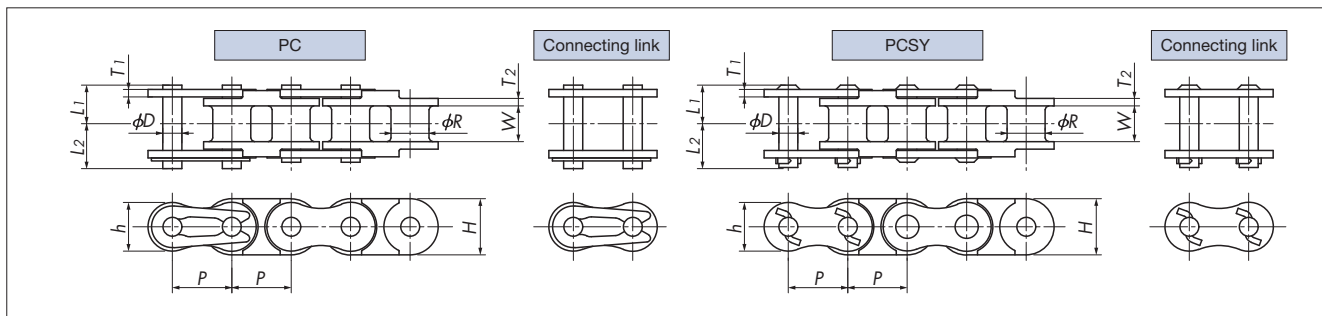
■ RS80-SNS Maximum kilowatt ratings table
(kW ratings for single strand chain)

Lubrication Small sprocket No. of teeth	Small sprocket max rpm											
	10	25	50	100	150	200	300	400	500	600	700	800
	A I				A II				B			
9	0.40	0.91	1.69	3.16	4.55	5.90	6.60	4.29	3.07	2.33	1.85	1.52
10	0.45	1.02	1.90	3.54	5.10	6.61	7.73	5.02	3.59	2.73	2.17	
11	0.49	1.13	2.10	3.93	5.65	7.33	8.92	5.79	4.14	3.15	2.50	
12	0.54	1.24	2.31	4.31	6.21	8.05	10.2	6.60	4.72	3.59		
13	0.59	1.35	2.52	4.70	6.77	8.77	11.5	7.44	5.33	4.05		
14	0.64	1.46	2.73	5.09	7.34	9.51	12.8	8.32	5.95			
15	0.69	1.58	2.94	5.49	7.90	10.2	14.2	9.22	6.60			
16	0.74	1.69	3.15	5.88	8.48	11.0	15.6	10.2				
17	0.79	1.80	3.37	6.28	9.05	11.7	16.9	11.1				
18	0.84	1.92	3.58	6.68	9.63	12.5	18.0	12.1				
19	0.89	2.03	3.80	7.08	10.2	13.2	19.0	13.1				
20	0.94	2.15	4.01	7.49	10.8	14.0	20.1					
21	0.99	2.27	4.23	7.89	11.4	14.7	21.2					
22	1.04	2.38	4.45	8.30	12.0	15.5	22.3					
23	1.10	2.50	4.67	8.71	12.5	16.2	23.4					
24	1.15	2.62	4.89	9.12	13.1	17.0	24.5					
25	1.20	2.74	5.11	9.53	13.7	17.8	25.6					
26	1.25	2.85	5.33	9.94	14.3	18.5	26.7					
28	1.36	3.09	5.77	10.8	15.5	20.1						
30	1.46	3.33	6.22	11.6	16.7	21.6						
32	1.57	3.57	6.67	12.4	17.9	23.2						
35	1.73	3.94	7.34	13.7	19.7	25.6						
40	1.99	4.55	8.48	15.8	22.8							
45	2.26	5.16	9.63	18.0	25.9							

Note: kW ratings when using a one-pitch offset link are 80% of the above values.

■ Lubrication systems and methods

Lubrication system	AI	AII	B	Details on
Method	Manual lubrication	Drip lubrication	Oil bath or slinger disc lubrication	pg. 216



PC (Standard series) specifications

Tsubaki chain number	Pitch P	Roller dia. R	Inner width of inner link W	Plates				Pins			Max. allowable load kN{kgf}	Approx. mass kg/m	Links per unit
				Thickness		Height		Dia. D	L1	L2			
				T1	T2	H	h						
RS25-PC-1	6.35	3.30	3.18	0.75	1.3	6.0	5.05	2.31	4.5	5.5	0.08 {8}	0.095	160
RS35-PC-1	9.525	5.08	4.78	1.25	2.2	9.0	7.8	3.59	6.85	7.85	0.18 {18}	0.22	320
RS40-PC-1	12.70	7.92	7.95	1.5	1.5	12.0	10.4	3.97	8.25	9.95	0.44 {45}	0.39	240
RS50-PC-1	15.875	10.16	9.53	2.0	2.0	15.0	13.0	5.09	10.3	12.0	0.69 {70}	0.58	192
RS60-PC-1	19.05	11.91	12.70	2.4	2.4	18.1	15.6	5.96	12.85	14.75	0.88 {90}	0.82	160

PC-SY (Super chemical resistant series) specifications

Tsubaki chain number	Pitch P	Roller dia. R	Inner width of inner link W	Plates				Pins			Max. allowable load kN{kgf}	Approx. mass kg/m	Links per unit
				Thickness		Height		Dia. D	L1	L2			
				T1	T2	H	h						
RS40-PCSY-1	12.70	7.92	7.95	1.5	1.5	12.0	10.4	3.97	8.25	10.1	0.25 {25}	0.39	240
RS50-PCSY-1	15.875	10.16	9.53	2.0	2.0	15.0	13.0	5.09	10.3	12.0	0.39 {40}	0.58	192
RS60-PCSY-1	19.05	11.91	12.70	2.4	2.4	18.1	15.6	5.96	12.85	15.25	0.49 {50}	0.82	160

Poly Steel Chain rivet specifications

Chain	No rivet	
	Button head rivet	PC Series, all sizes
	PC-SY Series, all sizes	
Connecting links	No rivet	
	Double-sided rivet	RS35-PC-1
	Button head rivet	RS25-PC-1
	RS40-PC-1, RS50-PC-1, RS60-PC-1	
	PC-SY Series, all sizes	

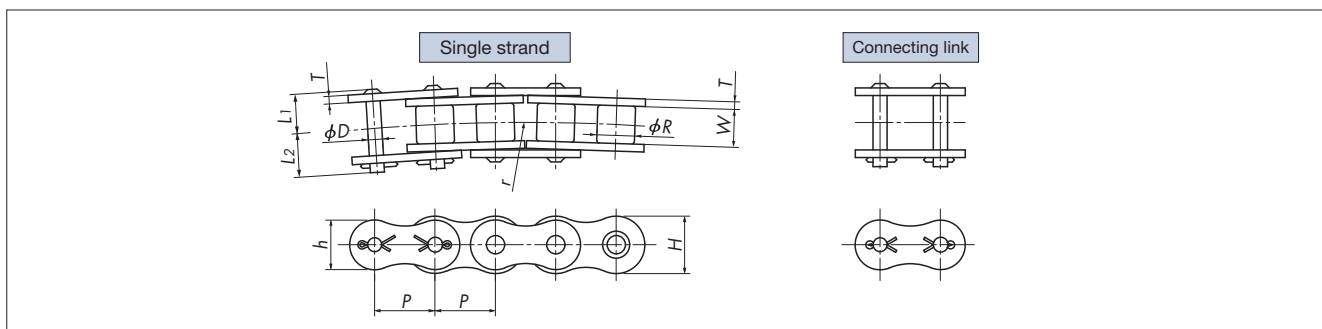
Note: PC, PC-SY Series common features

- To facilitate cutting, no pins are not riveted on the PC Series chain. This chain has no rollers.
- No multi-strands and offset links. Can also be manufactured with attachments. Refer to the Small Size Conveyor Chain catalog. BS/DIN standard chain is also available. Contact a Tsubaki representative.
- The PC-SY Series differs from the PC Series in maximum allowable load.
- Items in bold are stocked in units.

Model numbering example

RS40 -PC -1 -RP + 230L -MCJR

Size Series Number of strands Pin type Number of links End link



Specifications

Tsubaki chain number	Pitch P	Roller dia. R	Inner width of inner link W	Plates			Pins			Min. radius r	Max. allowable load kN{kgf}	Approx. mass kg/m	Links per unit
				Thickness T	Height		Dia. D	L1	L2				
					H	h							
RS40-CUSS-1	12.70	7.92	7.95	1.5	12.0	10.4	3.59	8.35	9.75	400	0.26 {27}	0.61	240
RS50-CUSS-1	15.875	10.16	9.53	2.0	15.0	13.0	3.97	10.15	12.05	500	0.44 {45}	1.01	192
RS60-CUSS-1	19.05	11.91	12.70	2.4	18.1	15.6	5.09	13.25	15.05	600	0.69 {70}	1.40	160
RS80-CUSS-1	25.40	15.88	15.88	3.2	24.1	20.8	5.96	16.5	18.5	800	1.03{105}	2.47	120

Note: Attachment chains are available. Refer to the Small Size Conveyor Chain catalog.

Model numbering example

RS50 -CUSS -1 -RP + 182L -MWJR

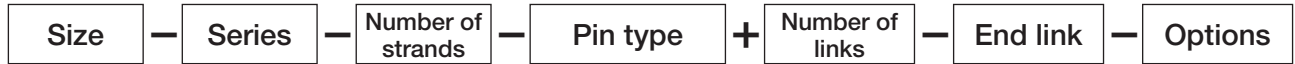
Size Series Number of strands Pin type Number of links End link

Specialty Roller Chain Model Numbering

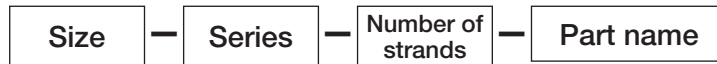
This page shows the series, number of strands, as well as types of pins and connecting links that can be selected for each size. Also refer to “Ordering RS Roller Chain” on page 19.

Customized items are also available. Please contact a Tsubaki representative.

1. Chains ordered by specifying the number of links, etc.



2. Individual parts, such as connecting links and offset links, ordered by quantity



◆ Leaf Chain model numbering example

AL844-RP+110L-MLJR
BL534-MLJL





Note: Not necessary to select “Series” or “Number of strands” for Leaf Chain.

■ Size (column = size number prefix; row = number of outer and inner plates in stack)

	22	44	66	23	34	46
4	AL/BL	AL/BL	AL/BL	BL	BL	BL
5	AL/BL	AL/BL	AL/BL	BL	BL	BL
6	AL/BL	AL/BL	AL/BL	BL	BL	BL
8	AL/BL	AL/BL	AL/BL	BL	BL	BL
10	AL/BL	AL/BL	AL/BL	BL	BL	BL
12	AL/BL	AL/BL	AL/BL	BL	BL	BL
14	—	AL/BL	AL/BL	BL	BL	BL
16	—	AL/BL	AL/BL	BL	BL	BL

Note: Pin type RP only.

■ End link symbol for connecting links and part names

	MLJ MLJL	M-type connecting link Long cotter pin
	E —	End link (End link pre-assembled on chain only) One end pin and two cotter pins included
	A —	End link (End link pre-assembled on chain only) End pin and cotter pin not included
	— WEDP	End pin with cotter pins (Parts only) One end pin and two cotter pins included

How to read chart

AL/BL	Select from AL or BL
BL	BL only
—	Contact a Tsubaki representative

◆ Curved Chain model numbering example

RS80-CU-1-RP+110L-MWJR
RS60-CU-1-MWJL

■ Pin type and number of strands (column = pin type, number of strands; rows = size)

	RS40	RS50	RS60	RS80
Pin type	RP	RP	RP	RP
No. of strands	1	1	1	1

■ Termination symbol for connecting links and part names

RS40	RS50	RS60	RS80
MWJ	MWJ	MWJ	MWJ

How to read chart

RP	RP only
MWJ	M-type connecting link with cotter pin only

Note: No offset links available.

Specialty Roller Chains

Leaf Chain

Leaf Chain, also commonly called balance chains, is a steel chain composed of just plates and pins. Conforming to JIS specifications, this chain is mainly used for lifting, counterweights, and motion drives. There are two types of Leaf Chain: AL for light loads and BL for heavy loads. Their dimensions and plate lacings differ. They require special clevises and sheaves.



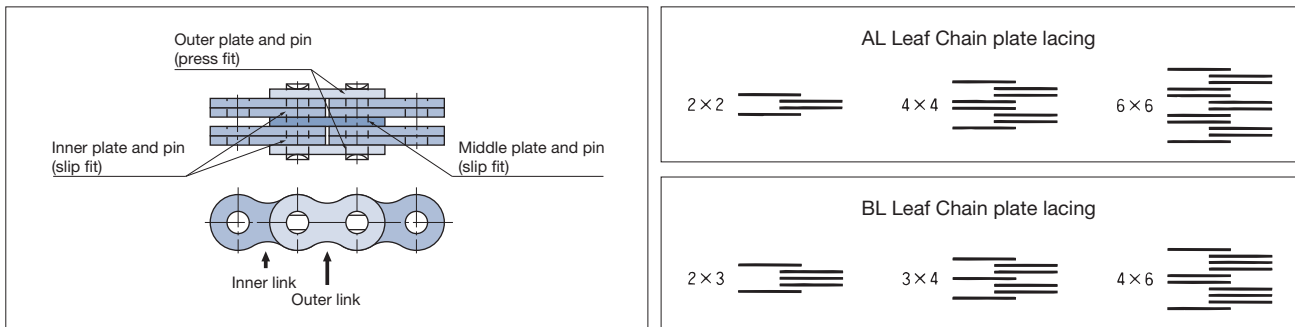
AL type External plate dimensions and thickness are the same as for the outer plates of RS Roller Chain with the same pitch, while the pin diameter is almost the same.

BL type Plate height (H dimension) is the same as for the inner plates of RS Roller Chain of the same pitch. Plate thickness is the same as for one pitch larger RS roller chain, as is pin diameter.

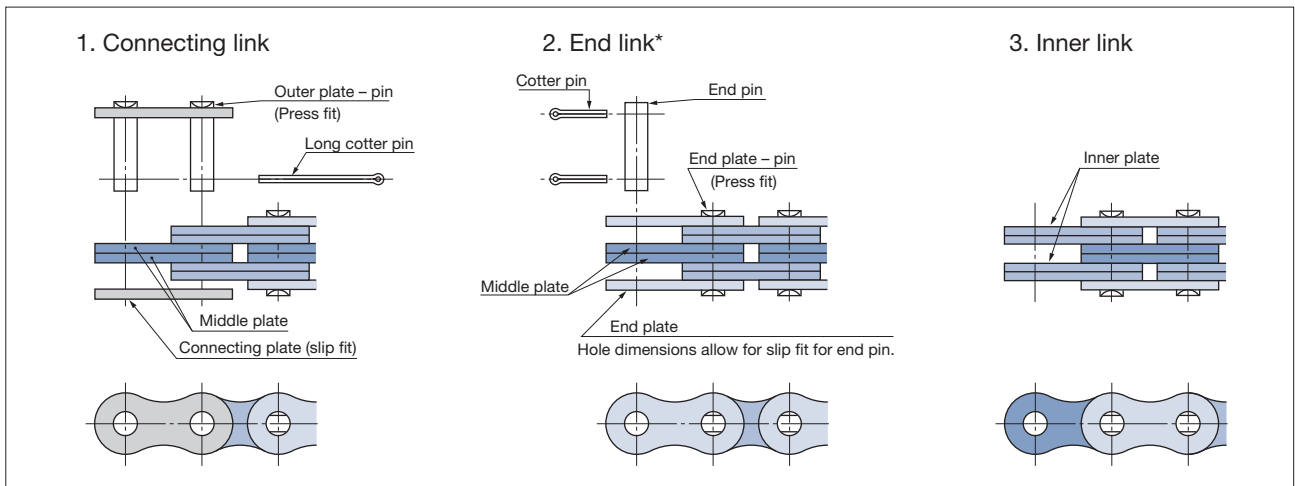
Basic construction

The plates are connected by pins and take the strain when load is applied. Pins are press fitted to outer plates and riveted. However, a slip fit is used with middle and inner plates and pins. The pins pass between the plates and have to withstand the bulk of the shear forces resulting when the chain is under tension and move freely within the inner plate holes when the chain articulates.

Main chain



End links

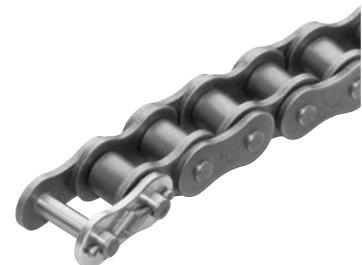


Note: *End links AL8 and BL8 and larger can also be manufactured.

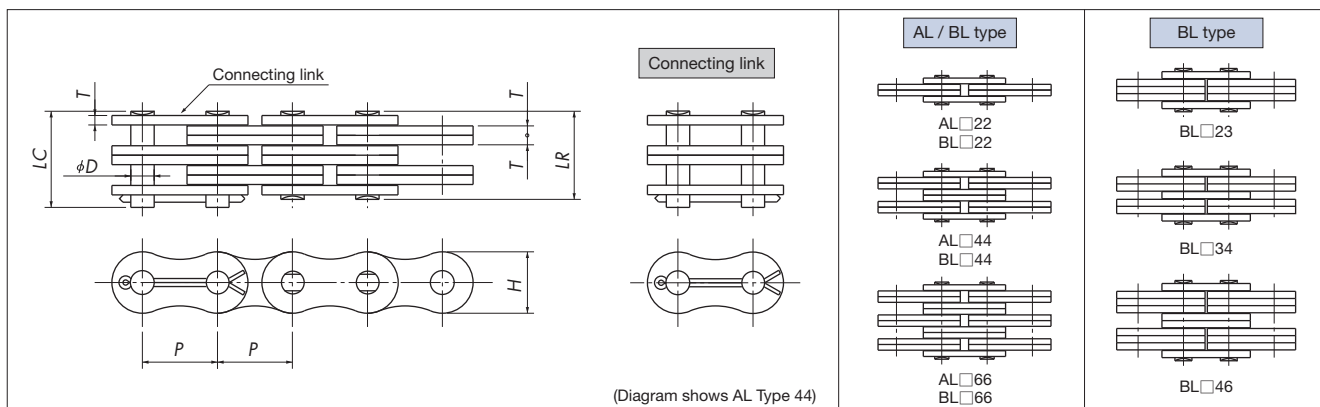
RS Curved Chain

A roller chain that can make large lateral curves thanks to its special pin and bush construction and the large clearance between link plates. Allows for curved transmission using RS sprockets. Ideal for curved conveyors and drives on curved roller conveyors.

Note: A guide is needed in the curved sections.



Specialty Roller Chains Leaf Chain



AL type specifications

Size*	Pitch P	Plate configuration	Plates		D	Pins		Min. tensile strength kN{kgf}	Approx. mass kg/m
			H	T		LR	LC		
AL422	12.70	2x2	10.4	1.5	3.96	8.30	9.70	16.7{ 1700}	0.38
AL444		4x4				14.70	16.20	33.3{ 3400}	0.74
AL466		6x6				20.80	22.25	50.0{ 5100}	1.10
AL522	15.875	2x2	13.0	2.0	5.08	10.80	12.30	27.5{ 2800}	0.62
AL544		4x4				18.90	20.50	54.9{ 5600}	1.22
AL566		6x6				27.40	28.90	82.4{ 8400}	1.81
AL622	19.05	2x2	15.6	2.4	5.95	12.90	14.90	38.2{ 3900}	0.87
AL644		4x4				22.70	25.20	76.5{ 7800}	1.71
AL666		6x6				32.80	35.40	115 {11700}	2.54
AL822	25.40	2x2	20.8	3.2	7.90	16.35	19.15	64.7{ 6600}	1.51
AL844		4x4				29.80	32.60	129 {13200}	2.98
AL866		6x6				43.20	46.00	194 {19800}	4.44
AL1022	31.75	2x2	26.0	4.0	9.48	20.05	23.25	98.1{10000}	2.69
AL1044		4x4				36.70	39.90	196 {20000}	5.31
AL1066		6x6				53.30	56.50	294 {30000}	7.93
AL1222	38.10	2x2	31.2	4.8	11.04	24.20	27.90	141 {14400}	3.57
AL1244		4x4				44.00	47.70	282 {28800}	7.07
AL1266		6x6				63.85	67.55	424 {43200}	10.56
AL1444	44.45	4x4	36.4	5.6	12.64	51.30	55.80	373 {38000}	10.34
AL1466		6x6				74.55	79.05	559 {57000}	15.16
AL1644	50.80	4x4	41.6	6.4	14.21	58.05	63.05	471 {48000}	12.98
AL1666		6x6				84.45	89.45	706 {72000}	19.41

BL type specifications

Size*	Pitch P	Plate configuration	Plates		D	Pins		Min. tensile strength kN{kgf}	Approx. mass kg/m
			H	T		LR	LC		
BL423	12.70	2x3	12.0	2.0	5.08	12.95	14.30	23.5{ 2400}	0.84
BL434		3x4				17.30	18.40	35.3{ 3600}	1.13
BL446		4x6				23.60	24.40	47.1{ 4800}	1.65
BL523	15.875	2x3	15.0	2.4	5.94	15.10	17.00	39.2{ 4000}	1.27
BL534		3x4				20.10	22.00	58.8{ 6000}	1.69
BL546		4x6				27.50	29.40	78.5{ 8000}	2.40
BL623	19.05	2x3	18.1	3.2	7.90	19.75	22.55	63.7{ 6500}	2.04
BL634		3x4				26.45	29.25	95.6{ 9750}	2.83
BL646		4x6				36.50	39.30	127 {13000}	4.01
BL823	25.40	2x3	24.1	4.0	9.48	24.20	27.40	103 {10500}	3.20
BL834		3x4				32.55	35.75	155 {15800}	4.44
BL846		4x6				45.00	48.20	206 {21000}	6.32
BL1023	31.75	2x3	30.1	4.8	11.04	28.90	32.60	141 {14400}	4.69
BL1034		3x4				38.85	42.55	216 {22000}	6.55
BL1046		4x6				53.70	57.40	282 {28800}	9.29
BL1223	38.10	2x3	36.2	5.6	12.64	33.90	38.40	186 {19000}	6.54
BL1234		3x4				45.50	50.00	299 {30500}	9.10
BL1246		4x6				62.95	67.45	373 {38000}	12.01
BL1423	44.45	2x3	42.2	6.4	14.21	38.20	43.20	235 {24000}	9.06
BL1434		3x4				51.40	56.40	387 {39500}	11.32
BL1446		4x6				71.25	76.25	471 {48000}	18.00
BL1623	50.80	2x3	48.2	7.2	17.38	43.25	49.85	353 {36000}	12.16
BL1634		3x4				58.40	65.00	554 {56500}	16.95
BL1646		4x6				81.05	87.65	706 {72000}	24.09

Note: *Contact a Tsubaki representative for dimensions and specifications for BL_22, BL_44, and BL_66 Leaf Chain.

Model numbering example

BL834 -RP + 110L -MLJR

Size

Pin type

Number
of links

End link

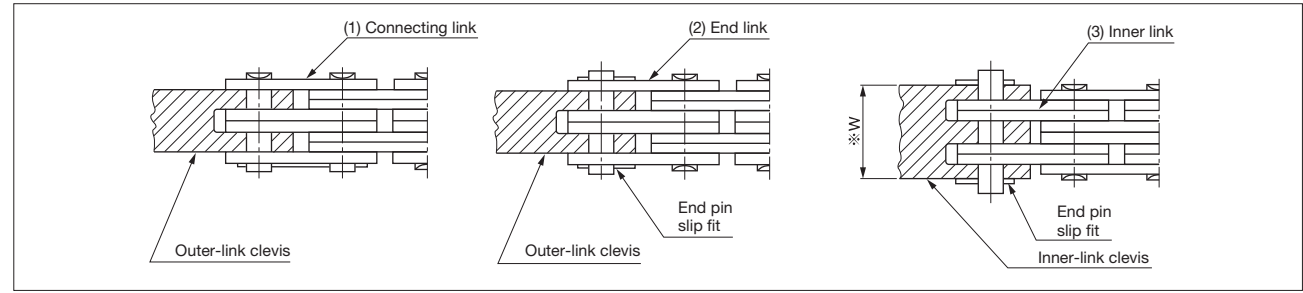
Clevises

Connecting links, end links, and inner links can all be used for Leaf Chain end fittings. When connecting end links (outer link, inner link), use the types of clevises shown below. AL8 and BL8 and larger are also available. Contact a Tsubaki representative.

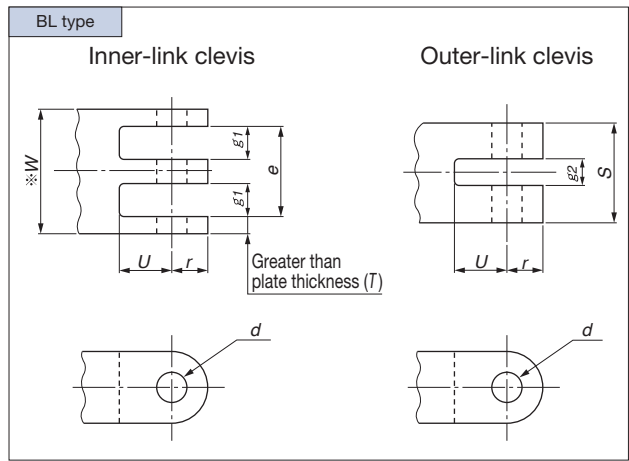
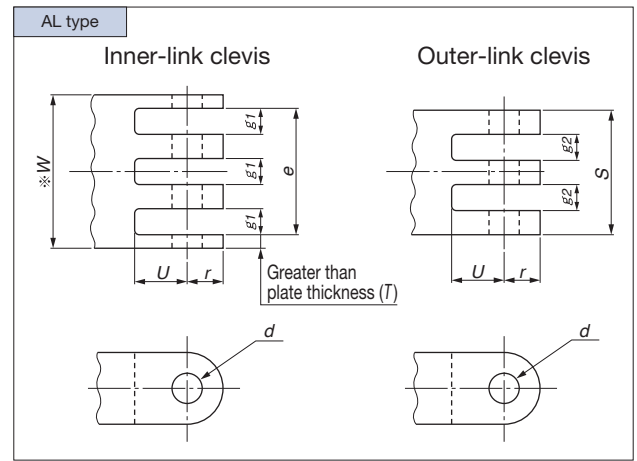
◆ Connecting Leaf Chain to a clevis

1. Connecting the chain end to a (1) connecting link or (2) end link.
Connect an outer-link clevis to the connecting link or end link.

2. Connecting the chain end to a (3) inner link.
Connect an inner-link clevis to the end pin. The end pin length varies according to the external width (W) of the clevis. Tsubaki can also manufacture end pins to your specifications. When requesting a quote, specify the W dimension (total width when parts other than metal fittings are sandwiched in-between).



◆ Clevis dimensions



■ AL type dimensions

Size	d	r (max.)	U (min.)	e ^{+0.2}	g ₁ ^{+0.1}	S ⁰	g ₂ ^{+0.1}
AL422				—		3.1	—
AL444	^{+0.05} ₀ 4.02	6.3	6.0	9.8	3.4	9.5	3.4
AL466				16.2		15.9	3.4
AL522				—		4.1	—
AL544	^{+0.05} ₀ 5.13	7.9	7.2	12.9	4.4	12.6	4.4
AL566				21.3		21.0	4.4
AL622				—		4.8	—
AL644	^{+0.05} ₀ 6.00	9.5	9.0	15.0	5.1	14.7	5.1
AL666				24.8		24.5	5.1
AL822				—		6.4	—
AL844	^{+0.1} ₀ 7.97	12.7	11.5	20.3	6.9	19.8	6.9
AL866				33.7		33.2	6.9
AL1022				—		8.0	—
AL1044	^{+0.1} ₀ 9.57	15.8	14.5	25.1	8.5	24.6	8.5
AL1066				41.7		41.2	8.5
AL1222				—		9.6	—
AL1244	^{+0.1} ₀ 11.14	19.0	17.5	29.9	10.1	29.4	10.1
AL1266				49.7		49.2	10.1
AL1444	^{+0.1} ₀ 12.74	22.2	20.0	35.1	11.9	34.5	11.9
AL1466				58.3		57.7	11.9
AL1644	^{+0.1} ₀ 14.32	25.4	23.0	39.9	13.5	39.2	13.5
AL1666				66.3		65.6	13.5

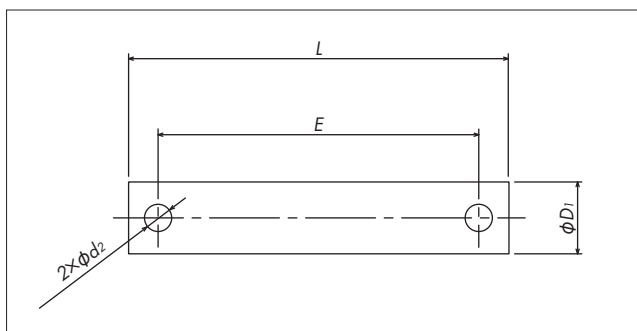
■ BL type dimensions

Size	d	r (max.)	U (min.)	e ^{+0.2}	g ₁ ^{+0.1}	S ⁰	g ₂ ^{+0.1}
BL423				—	6.5	6.2	—
BL434	^{+0.05} ₀ 5.13	6.3	6.3	10.7	4.4	10.4	2.3
BL446				17.1	6.5	16.8	4.4
BL523				—	7.6	7.3	—
BL534	^{+0.05} ₀ 6.00	7.9	7.9	12.5	5.1	12.2	2.6
BL546				19.9	7.6	19.6	5.1
BL623				—	10.3	9.8	—
BL634	^{+0.1} ₀ 7.97	9.5	9.5	17.0	6.9	16.5	3.6
BL646				27.0	10.3	26.5	6.9
BL823				—	12.7	12.2	—
BL834	^{+0.1} ₀ 9.57	12.7	12.7	21.0	8.5	20.5	4.4
BL846				33.4	12.7	32.9	8.5
BL1023				—	15.1	14.6	—
BL1034	^{+0.1} ₀ 11.14	15.8	15.8	25.0	10.1	24.5	5.2
BL1046				39.8	15.1	39.3	10.1
BL1223				—	17.7	17.1	—
BL1234	^{+0.1} ₀ 12.74	19.0	19.0	29.3	11.9	28.7	6.1
BL1246				46.7	17.7	46.1	11.9
BL1423				—	20.1	19.4	—
BL1434	^{+0.1} ₀ 14.32	22.2	22.2	33.3	13.5	32.6	6.9
BL1446				53.1	20.1	52.4	13.5
BL1623				—	23.1	22.1	—
BL1634	^{+0.1} ₀ 17.49	25.4	25.4	38.2	15.6	37.2	8.0
BL1646				60.9	23.1	59.9	15.6

Note: Use an alloy steel material (SCM435, etc.) and sufficiently heat-treat to the core to attain a hardness of HRC40 to 45. For clevises with screws, however, the hardness must be HRC30 to 35 in order to reduce any hazard due to delayed fractures.

Note: For sizes not listed in this table, contact a Tsubaki representative.

End Pins (For End Links)



AL type dimensions

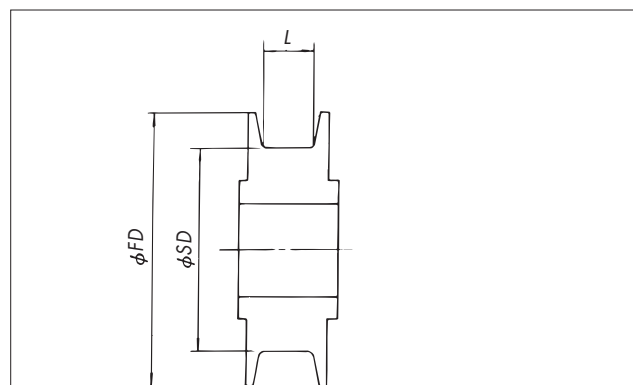
Size	E (min.)	L (max.)	D ₁ (max.)	d ₂
AL422	7.4	11.2		
AL444	13.9	17.7	3.96	1.2
AL466	20.4	24.2		
AL522	10.0	14.0		
AL544	18.5	22.5	5.06	1.6
AL566	27.0	31.0		
AL622	11.8	16.5		
AL644	21.7	26.4	5.92	2.0
AL666	31.6	36.3		
AL822	15.85	22.1		
AL844	29.25	35.5	7.88	2.5
AL866	42.7	49.0		
AL1022	19.05	26.6		
AL1044	35.7	43.3	9.48	2.5
AL1066	52.3	59.9		
AL1222	22.7	31.5		
AL1244	42.55	51.4	11.04	3.0
AL1266	62.35	71.2		
AL1444	50.25	60.3	12.64	4.0
AL1466	73.45	83.5		
AL1644	56.65	68.0	14.21	4.0
AL1666	83.05	94.4		

BL type dimensions

Size	E (min.)	L (max.)	D ₁ (max.)	d ₂
BL423	12.15	16.1		
BL434	16.4	20.4	5.06	1.6
BL446	22.75	26.8		
BL523	14.3	19.0		
BL534	19.25	24.0	5.92	2.0
BL546	26.65	31.4		
BL623	19.2	25.5		
BL634	25.9	32.2	7.88	2.5
BL646	36.0	42.3		
BL823	23.2	30.8		
BL834	31.5	39.1	9.48	2.5
BL846	44.0	51.6		
BL1023	27.65	36.4		
BL1034	37.6	46.4	11.04	3.0
BL1046	52.45	61.3		
BL1223	32.8	42.9		
BL1234	44.45	54.6	12.64	4.0
BL1246	61.85	72.0		
BL1423	36.85	48.2		
BL1434	50.05	61.4	14.21	4.0
BL1446	69.85	81.2		
BL1623	42.6	56.5		
BL1634	57.7	71.6	17.38	5.0
BL1646	80.35	94.3		

Note: Contact a Tsubaki representative for dimensions for BL_22, BL_44, and BL_66 Leaf Chain.

Sheaves



SD = Minimum external sheave diameter = chain pitch x 5
 L = Minimum groove width = pin length x 1.05
 FD = Flange external diameter
 = SD + maximum plate height (H)

AL type dimensions (examples)

Chain pitch	Min. external sheave dia. SD	Flange external dia. FD	Min. groove width L		
			2x2	4x4	6x6
12.70	63.50	73.90	8.85	15.60	22.40
15.875	79.38	92.38	11.40	20.35	29.20
19.05	95.25	110.85	13.30	23.70	34.10
25.40	127.00	147.80	17.20	31.30	45.40
31.75	158.75	184.75	21.10	38.55	56.00
38.10	190.50	221.70	25.45	46.20	67.05
44.45	222.25	258.65	—	53.90	78.30
50.80	254.00	295.60	—	61.00	88.70

Note: 1. Dimensions for L in the table above assume that only the chain riveting pin is wound around the sheave. If a connecting link pin is wound around the sheave, use $L \geq 2(L_2) \times 1.05$. Design L with an appropriate width while minding the installation precision of the sheave.

2. Use sheaves made of machine-structural carbon copper. (S45C, etc.)
3. Use heat-treated HRC (35 to 40) for high-repetition applications.

BL type dimensions (examples)

Chain pitch	Min. external sheave dia. SD	Flange external dia. FD	Min. groove width L		
			2x2	4x4	6x6
12.70	63.50	75.50	13.60	18.10	24.80
15.875	79.38	94.38	15.90	21.15	28.90
19.05	95.25	113.35	20.75	27.80	38.35
25.40	127.00	151.10	25.45	34.20	47.25
31.75	158.75	188.85	30.35	40.80	56.40
38.10	190.50	226.70	35.60	47.80	66.10
44.45	222.25	264.45	40.15	54.00	74.85
50.80	254.00	302.20	45.45	61.35	85.15

Note: 1. Contact a Tsubaki representative for dimensions for BL_22, BL_44, and BL_66 Leaf Chain.

2. Dimensions for L in the table above assume that only the chain riveting pin is wound around the sheave. If a connecting link pin is wound around the sheave, use $L \geq 2(L_2) \times 1.05$. Design L with an appropriate width while minding the installation precision of the sheave.
3. Use sheaves made of machine-structural carbon copper. (S45C, etc.)
4. Use heat-treated HRC (35 to 40) for high-repetition applications.

Precautions for Use

1. Lubricate regularly to prevent pin rotation and improve wear life.

Recommended lubrication:

ISO VG 100 to 150 (SAE30 to SAE40)

Lubrication method:

With the chain loose, use a brush or oil stick to sufficiently lubricate the outer chain, making sure that oil also penetrates between plates.

Lubrication period:

Lubricate regularly so that sliding sections between pins and inner plates do not dry out.

2. Avoid use in corrosive environments. Wipe immediately when there is contact with water and lubricate well. When there is a possibility of corrosion, apply a large amount of grease to the surface of the chain. (To lubricate, wipe off grease and reapply after lubricating between plates.)

3. Check for elongation.

Replace chain when elongation reaches allowable elongation limit (3%).

Guidelines for checking chain elongation

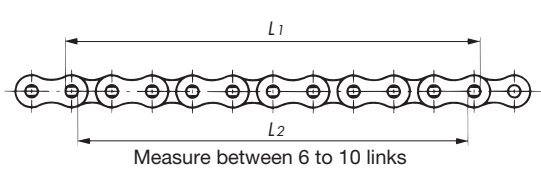
In order to prevent chain backlash, measure with slight tension on the chain. Use calipers to measure the distance between the outside L_1 and inside L_2 of the pins for the portion of the chain articulating around the sheave as shown in the illustration to obtain

$$L = (L_1 + L_2) / 2$$

Obtain chain elongation percentage using the following formula.

$$\text{Chain elongation} = \frac{L - \text{Standard length}}{\text{Standard length}} \times 100(\%)$$

$$\text{Standard length} = \text{Chain pitch} \times \text{No. of links}$$



Note: Pitch elongation limit can be quickly checked with a chain elongation scale. For details, refer to the Accessories pages.

Selection

1. Determine the following based on usage conditions.

- ◆ Chain speed
- ◆ Number of repetitions per day
- ◆ Work load (including inertia and impact strength)
When a chain speed of 30 m/min or 1,000 cycles/day is exceeded, Leaf Chains may be inappropriate due to wear. Consider using an RS Roller Chain.

2. Determine the type of chain.

- ◆ BL type is recommended.
- ◆ Limit use of AL type to applications with no impact load or wear considerations (under 100 cycles/day).

3. Determine required minimum tensile strength using the following formula.

$$\text{Work load} \times \text{Usage coefficient (Table 1)} \times \text{Safety ratio (Table 2)} \leq \text{Minimum tensile strength}$$

■ Table 1: Usage coefficient

Type of impact	Applications	Usage coefficient
Smooth power transmission	Starts and stops are smooth, and load changes are slight (balance weight suspension, etc.)	1.0
Slight impact	Repeated starts and stops, load changes, and reverse operation (forklifts, etc.)	1.3
Impact	Violent starts and stops, load changes, and reverse operation (mining and construction, etc.)	1.5

■ Table 2: Safety ratio

Plate combinations	Safety ratio		
	2×2, 3×4	4×6	
No. of cycles	2×3, 4×4	6×6	
BL type	1,000 cycles/day or less	8 or more	9 or more
	10 cycles/day or less	8 or more	9 or more
AL type	100 cycles/day or less	11 or more	12 or more

Note: It is dangerous to use above the safety ratio in Table 2 as it may result in pin rotation and a reduction in strength. In addition, even if the safety ratio in Table 2 is followed, insufficient lubrication may also cause the pins to rotate. Always lubricate the chain regularly. Where determining a chain's safety ratio is established by law, select a chain with some leeway using that method and this catalog.

Specialty Roller Chains Leaf Chain

Standard Packaging for Super Long-Length Formations

The following packaging will be used unless otherwise specified.

AL type

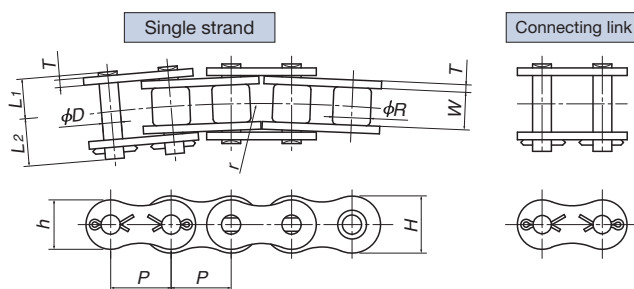
Size	Packaging			
	Reel		Cardboard or CP packaging	
	Min. no. of links	Max. no. of links	Min. no. of links	Max. no. of links
AL422	601	7200	—	—
AL444		4800		
AL466				
AL522	481	3840	—	—
AL544		1920		
AL566				
AL622	401	1600	—	—
AL644				
AL666				
AL822	301	600	601	1100
AL844				
AL866				
AL1022	241	480	481	750
AL1044				
AL1066				
AL1222	—	—	201	550
AL1244				
AL1266				
AL1444	—	—	171	380
AL1466				
AL1644	—	—	151	300
AL1666				

- Note: 1. Super long-length formations become easily twisted. Handle with care. Tsubakimoto Chain is not responsible for any chain twisting after shipment.
2. Contact a Tsubaki representative for packaging of sizes not shown in the table.
3. CP packaging: Carton pallet packaging
Packed inside a corrugated cardboard carton (large box) fastened to a wooden pallet.

BL type

Size	Packaging						
	Reel		Cardboard or CP packaging				
	Min. no. of links	Max. no. of links	Min. no. of links	Max. no. of links			
BL423	601	4800	—	—			
BL434		2400					
BL446					1200		
BL466							
BL523	481	1920	—	—			
BL534							
BL544							
BL546							
BL566							
BL622	401	1600	—	—			
BL623							
BL634							
BL644							
BL646							
BL666							
BL823					301	800	—
BL823	1200						
BL834		600	601	1100			
BL844							
BL846							
BL866							
BL1023	241	480	481	750			
BL1034							
BL1044							
BL1046							
BL1066							
BL1223	—	—	201	550			
BL1234							
BL1246							
BL1423	—	—	171	380			
BL1434							
BL1446							
BL1623	—	—	151	300			
BL1634							
BL1646							

Specialty Roller Chains RS Curved Chain



Specifications

Tsubaki chain number	Pitch P	Roller dia. R	Inner width of inner link W	Plates			Pins			Min. radius r	Average tensile strength kN{kgf}	Max. allowable load kN{kgf}	Approx. mass kg/m	Links per unit
				Thickness T	Height		Dia. D	L1	L2					
					H	h								
RS40-CU-1	12.70	7.92	7.95	1.5	12.0	10.4	3.97	8.45	9.75	350	15.5 {1580}	1.86 {190}	0.61	240
RS50-CU-1	15.875	10.16	9.53	2.0	15.0	13.0	5.09	10.6	12.4	400	24.1 {2460}	2.84 {290}	1.01	192
RS60-CU-1	19.05	11.91	12.70	2.4	18.1	15.6	5.96	13.25	15.05	500	34.9 {3560}	4.02 {410}	1.40	160
RS80-CU-1	25.40	15.88	15.88	3.2	24.1	20.8	7.94	16.75	20.05	600	61.6 {6280}	6.96 {710}	2.47	120

- Note: 1. Can use RS sprockets.
2. No offset links available.
- Attachment chains are available. Refer to the Small Size Conveyor Chain catalog.
3. Items in bold are stocked in units.

Model numbering example

RS80 -CU -1 -RP + 110L -MWJR

Size Series Number of strands Pin type Number of links End link

RS Sprocket Selection Guide

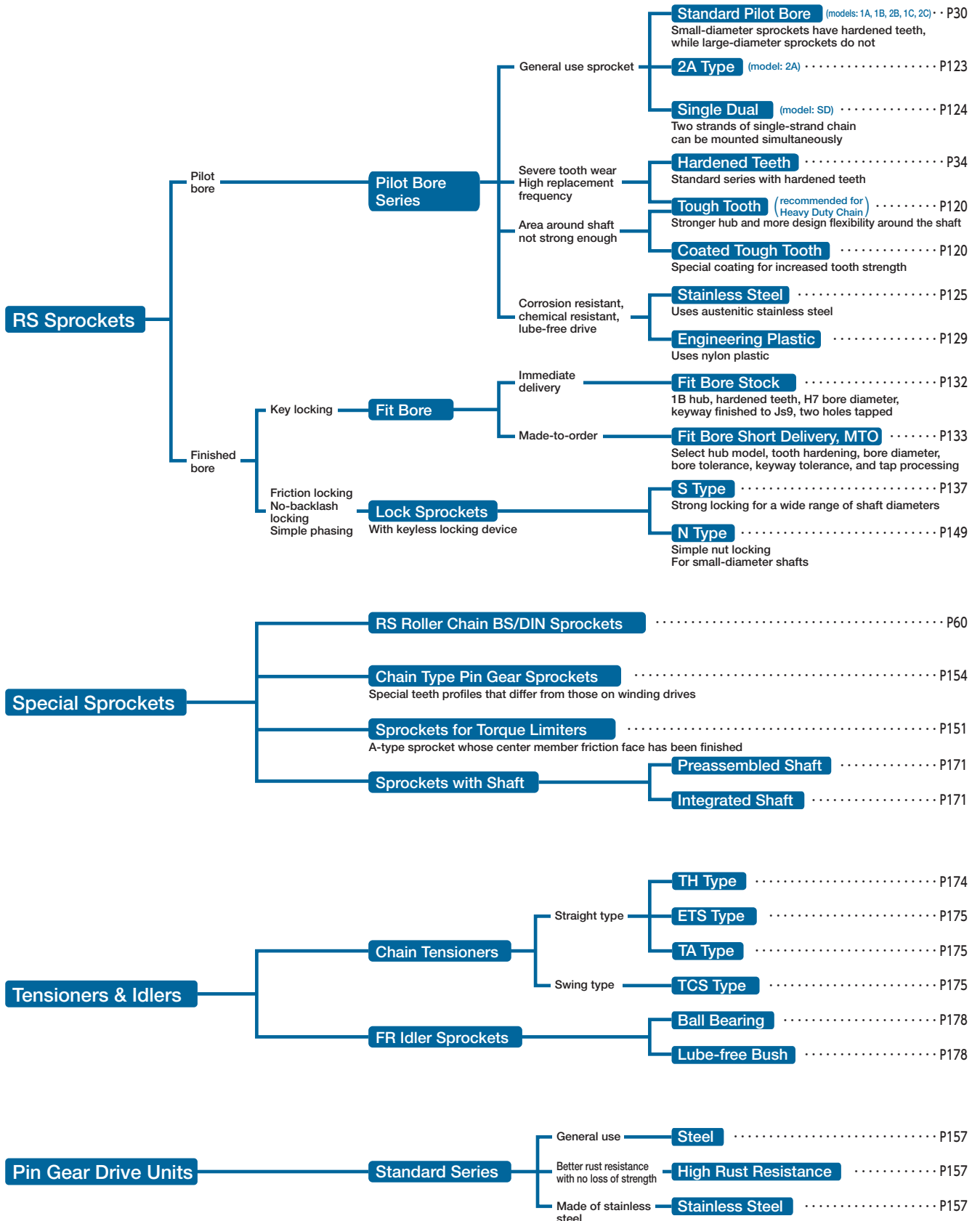
Chain No. p.27
Temperature p.15
Wrench p.217



RS Sprocket Selection Guide

Determine sprocket number of teeth and hub type in light of strength and space once you've determined your chain size and number of strands.

Then, choose your sprocket series and type by considering whether your sprocket teeth will be hardened, the sprocket material, and bore finishing.



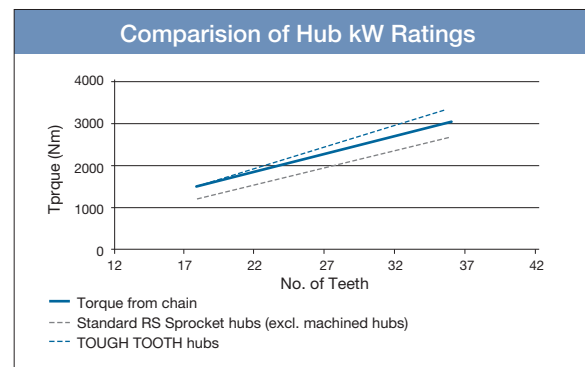
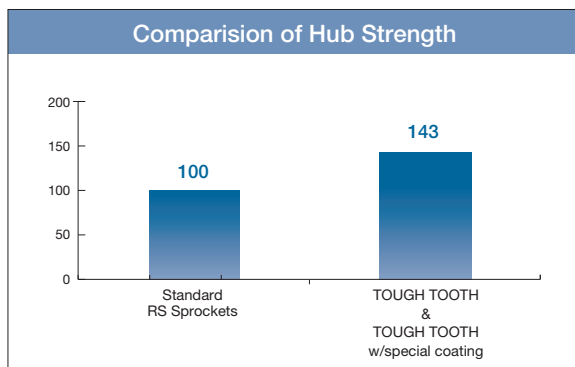
Tough Tooth sprockets have increased strength and durability to bring out the best in Tsubaki's Heavy Duty Drive Chains.

RS Sprocket TOUGH TOOTH



Features

- ◆ Offers ample tooth strength for chains, and features a reinforced hub. Bore keyway has 43% higher allowable surface pressure.
- ◆ All models feature hardened teeth to give the sprocket more wear resistance.
- ◆ A special coating that further increases tooth hardness is optionally available. Ideal for harsh operating environments where users want to reduce chain and sprocket replacement frequency.

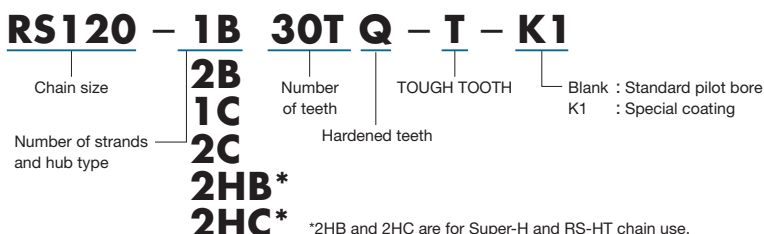


Note: 1. Torque is calculated from keyway allowable surface pressure using a JIS parallel key at the maximum shaft hub diameter.
2. Comparison using RS80-SUP-H-1.

Specifications

- ◆ B and C types standardized for single and double strand RS-HT Series RS60 and above.
- ◆ RS-HT Chains and Super-H Chains in multi-strand configurations have a different tooth transverse pitch than RS Roller Chain sprockets.
- ◆ Other multi-strand configurations, hub types, and numbers of teeth are made-to-order. Other shaft hub finishing also available.
- ◆ Both teeth and hubs use carbon steel for machine structural use (high-tensile steel).
- ◆ Made-to-order product.

Model Numbering Example



Sprockets RS Sprocket TOUGH TOOTH

Available Range

RS Sprocket TOUGH TOOTH
 Use standard RS Sprocket with pilot bore
 Made-to-order

■ 1B (single strand B type)

No. of teeth/size	RS60	RS80	RS100	RS120	RS140	RS160	RS180	RS200	RS240
9T									
10T									
11T									
12T									
13T									
14T									
15T									
16T									
17T									
18T									
19T									
20T									
21T									
22T									
23T									
24T									
25T									
26T									
27T									
28T									
30T									
32T									
34T									
35T									
36T									
38T									
40T or more									

■ 1C (single strand C type)

No. of teeth/size	RS60	RS80	RS100	RS120	RS140	RS160	RS180	RS200	RS240
9T									
10T									
11T									
12T									
13T									
14T									
15T									
16T									
17T									
18T									
19T									
20T									
21T									
22T									
23T									
24T									
25T									
26T									
27T									
28T									
30T									
32T									
34T									
35T									
36T									
38T									
40T or more									

See pages 40 to 56 for mass and dimensions.

- Contact a Tsubaki representative regarding models with dimensions not shown in this catalog.
- Sizes, numbers of strands, numbers of teeth, and hub dimensions other than those shown above available.

Before Use

Standard Roller Chains

Lube-Free Roller Chains

Heavy Duty Roller Chains

Corrosion Resistant Roller Chains

Specialty Roller Chains

Sprockets

Pin Gear Drives

Accessories

Handling

Available Range

RS Sprocket TOUGH TOOTH
 Use standard RS Sprocket with pilot bore
 Made-to-order

2B (double strand B type)

No. of teeth/size	RS60	RS80	RS100	RS120	RS140-240
9T					
10T					
11T					
12T					
13T					
14T					
15T					
16T					
17T					
18T					
19T					
20T					
21T					
22T					
23T					
24T					
25T					
26T					
27T					
28T					
30T					
32T					
34T					
35T					
36T					
38T					
40T or more					

2C (double strand C type)

No. of teeth/size	RS60	RS80	RS100	RS120	RS140-240
9T					
10T					
11T					
12T					
13T					
14T					
15T					
16T					
17T					
18T					
19T					
20T					
21T					
22T					
23T					
24T					
25T					
26T					
27T					
28T					
30T					
32T					
34T					
35T					
36T					
38T					
40T or more					

See pages 40 to 56 for mass and dimensions.

- Contact a Tsubaki representative regarding models with dimensions not shown in this catalog.
- Sizes, numbers of strands, numbers of teeth, and hub dimensions other than those shown above available.

Optional (made-to-order)

RS Sprocket TOUGH TOOTH Special Coating Specifications

A special coating gives the teeth better wear resistance. Effective in harsh operating environments where sprocket replacement frequency is high.

Shaft Bore Finishing Service

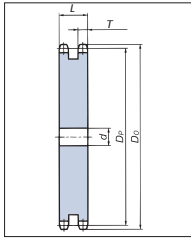
Optional shaft bore finishing service available.

Sprocket with Pre-assembled Shaft

We can quote you for a shaft based on your drawings, manufacture it, and supply it together with your sprocket pre-assembled. By also requesting inspection records, you can reduce inspection/assembly man-hours and cost. (See page 171.)



Sprockets RS Sprocket 2A Type

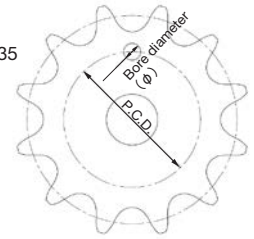


2A Sprocket Teeth and Lateral Width Dimensions

Type	Width L	Tooth width T
RS40-2A	21.5	7.1
RS50-2A	26.8	8.7
RS60-2A	34.5	11.7
RS80-2A	43.9	14.6
RS100-2A	53.4	17.6
RS120-2A	68.9	23.5

Hanging hole dimensions

Bore diameter: RS60/RS80: $\phi 30$,
RS100, RS120: $\phi 35$



The phase relationship between hanging hole and teeth may differ from the drawing.

RS40

Model number	Pitch circle dia. D_p	Outer dia. (Do)	Pilot bore dia. d	Approx. mass kg	Material
RS40-2A35T	141.68	149	16	2.4	Machine-structural carbon steel ³⁾
RS40-2A36T	145.72	153	16	2.5	
RS40-2A38T	153.79	161	16	2.8	
RS40-2A40T	161.87	169	16	3.1	
RS40-2A42T	169.94	177	16	3.5	
RS40-2A45T	182.06	189	18	4.0	
RS40-2A48T	194.18	201	18	4.6	
RS40-2A50T	202.26	209	18	5.0	
RS40-2A54T	218.42	226	18	5.8	
RS40-2A60T	242.66	250	18	7.3	

RS60

Model number	Pitch circle dia. D_p	Outer dia. (Do)	Pilot bore dia. d	Approx. mass kg	Material	Bore phase (PCD)
RS60-2A23T	139.90	150	18	3.5	Machine-structural carbon steel ³⁾	
RS60-2A24T	145.95	156	18	3.8		
RS60-2A25T	151.99	162	18	4.2		
RS60-2A26T	158.04	168	18	4.6		
RS60-2A27T	164.09	174	18	4.9		
RS60-2A28T	170.14	180	18	5.4		
RS60-2A30T	182.25	193	18	6.2		
RS60-2A32T	194.35	205	18	7.1		
RS60-2A34T	206.46	217	18	8.1		
RS60-2A35T	212.52	223	18	8.6		
RS60-2A36T	218.57	229	18	9.1		
RS60-2A38T	230.69	241	18	10.2		
RS60-2A40T	242.80	253	18	11.4		
RS60-2A42T	254.92	266	23	12.6		
RS60-2A45T	273.09	284	23	14.5		
RS60-2A48T	291.27	302	23	16.6		
RS60-2A50T	303.39	314	23	18.1		
RS60-2A54T	327.63	338	23	21.2		
RS60-2A60T	363.99	375	23	26.2	293	

RS100

Model number	Pitch circle dia. D_p	Outer dia. (Do)	Pilot bore dia. d	Approx. mass kg	Material	Bore phase (PCD)
RS100-2A15T	152.71	168	28	5.8	Machine-structural carbon steel ³⁾	
RS100-2A16T	162.75	179	28	6.8		
RS100-2A17T	172.79	189	28	7.8		
RS100-2A18T	182.84	199	28	8.8		
RS100-2A19T	192.90	209	28	10.0		
RS100-2A20T	202.96	220	28	11.2		
RS100-2A21T	213.03	230	28	12.4		
RS100-2A22T	223.10	240	33	13.7		
RS100-2A23T	233.17	250	33	15.0		
RS100-2A24T	243.25	260	33	16.5		
RS100-2A25T	253.32	270	33	18.1		
RS100-2A26T	263.41	281	33	19.7		
RS100-2A27T	273.49	291	33	21.3		
RS100-2A28T	283.57	301	33	23.0		
RS100-2A30T	303.75	321	33	26.8		
RS100-2A32T	323.92	341	33	30.3		224
RS100-2A34T	344.10	362	33	34.5		245
RS100-2A35T	354.20	372	33	36.7		255
RS100-2A36T	364.29	382	33	38.9	365	
RS100-2A38T	384.48	402	33	43.7	285	
RS100-2A40T	404.67	422	33	48.7	305	
RS100-2A42T	424.86	443	33	53.9	326	
RS100-2A45T	455.15	473	33	62.4	356	
RS100-2A48T	485.45	503	33	71.4	386	
RS100-2A50T	505.65	524	33	77.7	407	
RS100-2A54T	546.05	564	33	91.2	447	
RS100-2A60T	606.66	625	33	113.4	508	

Model numbering example

RS40 -2A 35T

Size Number of strands and hub type Number of teeth

Model numbering example (hardened teeth)

RS40 -2A 35T Q

Size Number of strands and hub type Number of teeth Hardened teeth

RS50

Model number	Pitch circle dia. D_p	Outer dia. (Do)	Pilot bore dia. d	Approx. mass kg	Material
RS50-2A26T	131.70	140	18	2.4	Machine-structural carbon steel ³⁾
RS50-2A27T	136.74	145	18	2.6	
RS50-2A28T	141.79	150	18	2.8	
RS50-2A30T	151.87	161	18	3.3	
RS50-2A32T	161.96	171	18	3.8	
RS50-2A34T	172.05	181	18	4.3	
RS50-2A35T	177.10	186	18	4.6	
RS50-2A36T	182.15	191	18	4.9	
RS50-2A38T	192.24	201	18	5.5	
RS50-2A40T	202.33	211	23	6.0	
RS50-2A42T	212.43	221	23	6.7	
RS50-2A45T	227.58	237	23	7.7	
RS50-2A48T	242.73	252	23	8.9	
RS50-2A50T	252.82	262	23	9.7	
RS50-2A54T	273.03	282	23	11.3	
RS50-2A60T	303.33	312	23	14.1	

RS80

Model number	Pitch circle dia. D_p	Outer dia. (Do)	Pilot bore dia. d	Approx. mass kg	Material	Bore phase (PCD)
RS80-2A18T	146.27	159	23	4.6	Machine-structural carbon steel ³⁾	
RS80-2A19T	154.32	167	23	5.2		
RS80-2A20T	162.37	176	23	5.8		
RS80-2A21T	170.42	184	23	6.5		
RS80-2A22T	178.48	192	28	7.1		
RS80-2A23T	186.54	200	28	7.9		
RS80-2A24T	194.60	208	28	8.6		
RS80-2A25T	202.66	216	28	9.4		
RS80-2A26T	210.72	224	28	10.2		
RS80-2A27T	218.79	233	28	11.1		
RS80-2A28T	226.86	241	28	12.0		
RS80-2A30T	243.00	257	28	14.0		
RS80-2A32T	259.14	273	28	16.0		
RS80-2A34T	275.28	289	28	18.2		
RS80-2A35T	283.36	297	28	19.4		
RS80-2A36T	291.43	306	28	20.6		
RS80-2A38T	307.58	322	28	23.0		
RS80-2A40T	323.74	338	33	25.4		242
RS80-2A42T	339.89	354	33	28.1	258	
RS80-2A45T	364.12	378	33	32.5	283	
RS80-2A48T	388.36	403	33	37.3	307	
RS80-2A50T	404.52	419	33	40.6	323	
RS80-2A54T	436.84	451	33	47.7	355	
RS80-2A60T	485.33	500	33	59.4	404	

RS120

Model number	Pitch circle dia. D_p	Outer dia. (Do)	Pilot bore dia. d	Approx. mass kg	Material	Bore phase (PCD)
RS120-2A14T	171.22	190	28	9.6	Machine-structural carbon steel ³⁾	
RS120-2A15T	183.25	202	33	11.1		
RS120-2A16T	195.29	214	33	12.9		
RS120-2A17T	207.35	227	33	14.7		
RS120-2A18T	219.41	239	33	16.7		
RS120-2A19T	231.48	251	33	18.8		
RS120-2A20T	243.55	263	33	21.1		
RS120-2A21T	255.63	276	33	23.5		
RS120-2A22T	267.72	288	33	25.9		
RS120-2A23T	279.80	300	33	28.5		
RS120-2A24T	291.90	312	33	31.3		
RS120-2A25T	303.99	324	33	34.2		
RS120-2A26T	316.09	337	33	37.2		
RS120-2A27T	328.19	349	33	40.3		
RS120-2A28T	340.29	361	33	43.5		
RS120-2A30T	364.49	385	33	49.9		258
RS120-2A32T	388.71	410	33	57.2		382
RS120-2A34T	412.93	434	33	65.0		307
RS120-2A35T	425.04	446	33	69.1	319	
RS120-2A36T	437.15	458	38	73.2	331	
RS120-2A38T	461.37	483	38	82.1	355	
RS120-2A40T	485.60	507	38	91.3	380	
RS120-2A42T	509.83	531	38	101.2	404	
RS120-2A45T	546.19	568	38	116.9	440	
RS120-2A48T	582.54	604	38	133.6	477	
RS120-2A50T	606.78	628	38	145.5	501	
RS120-2A54T	655.26	677	38	170.6	550	
RS120-2A60T	727.99	750	38	212.0	623	

Note: 1. Maximum bore diameters shown are standard figures. Decide and confirm bore diameters and key surface pressures based on standard machinery design.

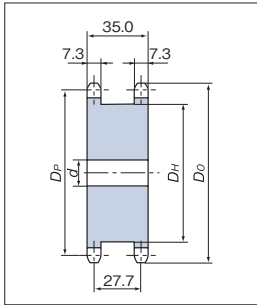
2. Sprockets shown with hole positions come with a hanging hole on the sprocket plate. Refer to the diagram above for hanging hole dimensions.

*3. Hardened teeth are also available. *4. Hardened teeth are made-to-order. 5. All items are made-to-order.

Sprockets RS Sprocket Single Dual Type

Two strands of single strand chain can be mounted simultaneously

RS40 SD Type



Model numbering example

RS40-SD 15T Q

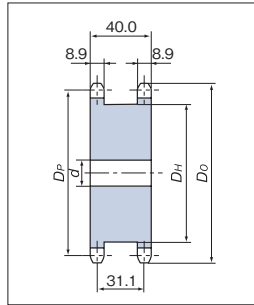
Single Dual Number of teeth
Hardened teeth

All models have hardened teeth.

Model number	Pitch circle dia. D_p	(Outer dia.) (D_o)	Bore dia. d		Hub		Approx. mass kg
			Pilot bore	Max.	Diameter D_H	Length L	
RS40-SD12T Q	49.07	55	9.5	19	34	35	0.34
RS40-SD13T Q	53.07	59	12.7	22	38	35	0.40
RS40-SD14T Q	57.07	63	12.7	24	42	35	0.48
RS40-SD15T Q	61.08	67	12.7	27	46	35	0.56
RS40-SD16T Q	65.10	71	12.7	31	50	35	0.66
RS40-SD17T Q	69.12	76	12.7	34	54	35	0.76
RS40-SD18T Q	73.14	80	12.7	38	59	35	0.88
RS40-SD19T Q	77.16	84	12.7	41	63	35	0.99
RS40-SD20T Q	81.18	88	12.7	44	67	35	1.12
RS40-SD21T Q	85.21	92	12.7	47	71	35	1.24
RS40-SD22T Q	89.24	96	12.7	50	75	35	1.38
RS40-SD23T Q	93.27	100	12.7	51	78	35	1.50
RS40-SD24T Q	97.30	104	12.7	55	83	35	1.67
RS40-SD25T Q	101.33	108	12.7	58	87	35	1.83
Material/specifications	Machine-structural carbon steel, machined						

Contact a Tsubaki representative for teeth numbers not shown above.

RS50 SD Type



Model numbering example

RS50-SD 15T Q

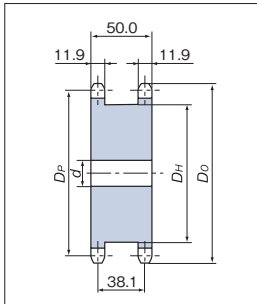
Single Dual Number of teeth
Hardened teeth

All models have hardened teeth.

Model number	Pitch circle dia. D_p	(Outer dia.) (D_o)	Bore dia. d		Hub		Approx. mass kg
			Pilot bore	Max.	Diameter D_H	Length L	
RS50-SD12T Q	61.34	69	12.7	25	43	40	0.62
RS50-SD13T Q	66.33	74	12.7	29	48	40	0.75
RS50-SD14T Q	71.34	79	12.7	33	53	40	0.90
RS50-SD15T Q	76.35	84	12.7	37	58	40	1.05
RS50-SD16T Q	81.37	89	12.7	41	63	40	1.22
RS50-SD17T Q	86.39	94	12.7	44	68	40	1.40
RS50-SD18T Q	91.42	100	12.7	48	73	40	1.60
RS50-SD19T Q	96.45	105	15.9	52	79	40	1.80
RS50-SD20T Q	101.48	110	15.9	56	84	40	2.02
RS50-SD21T Q	106.51	115	15.9	60	89	40	2.25
RS50-SD22T Q	111.55	120	15.9	62	92	40	2.44
RS50-SD23T Q	116.59	125	15.9	67	99	40	2.75
RS50-SD24T Q	121.62	130	15.9	70	102	40	2.96
RS50-SD25T Q	126.66	135	15.9	75	109	40	3.30
Material/specifications	Machine-structural carbon steel, machined						

Contact a Tsubaki representative for teeth numbers not shown above.

RS60 SD Type



Model numbering example

RS60-SD 15T Q

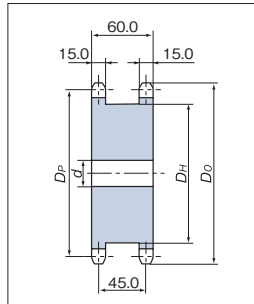
Single Dual Number of teeth
Hardened teeth

All models have hardened teeth.

Model number	Pitch circle dia. D_p	(Outer dia.) (D_o)	Bore dia. d		Hub		Approx. mass kg
			Pilot bore	Max.	Diameter D_H	Length L	
RS60-SD12T Q	73.60	83	12.7	31	51	50	1.16
RS60-SD13T Q	79.60	89	15.9	36	57	50	1.37
RS60-SD14T Q	85.61	95	15.9	42	64	50	1.65
RS60-SD15T Q	91.63	101	15.9	46	70	50	1.93
RS60-SD16T Q	97.65	107	15.9	50	76	50	2.24
RS60-SD17T Q	103.67	113	15.9	55	82	50	2.57
RS60-SD18T Q	109.70	119	15.9	59	88	50	2.92
RS60-SD19T Q	115.74	126	15.9	64	94	50	3.29
RS60-SD20T Q	121.78	132	15.9	68	100	50	3.69
RS60-SD21T Q	127.82	138	15.9	74	107	50	4.14
RS60-SD22T Q	133.86	144	15.9	78	113	50	4.58
RS60-SD23T Q	139.90	150	18	82	119	50	5.02
RS60-SD24T Q	145.95	156	18	87	125	50	5.51
RS60-SD25T Q	151.99	162	18	91	130	50	5.98
Material/specifications	Machine-structural carbon steel, machined						

Contact a Tsubaki representative for teeth numbers not shown above.

RS80 SD Type



Model numbering example

RS80-SD 15T Q

Single Dual Number of teeth
Hardened teeth

All models have hardened teeth.

Model number	Pitch circle dia. D_p	(Outer dia.) (D_o)	Bore dia. d		Hub		Approx. mass kg
			Pilot bore	Max.	Diameter D_H	Length L	
RS80-SD12T Q	98.14	110	20	45	69	60	2.5
RS80-SD13T Q	106.14	118	20	50	77	60	3.0
RS80-SD14T Q	114.15	127	20	55	85	60	3.6
RS80-SD15T Q	122.17	135	20	63	93	60	4.2
RS80-SD16T Q	130.20	143	20	70	102	60	4.9
RS80-SD17T Q	138.23	151	20	74	110	60	5.6
RS80-SD18T Q	146.27	159	20	80	118	60	6.4
Material/specifications	Machine-structural carbon steel, machined						

Contact a Tsubaki representative for teeth numbers not shown above.

All models stocked.

Note: Maximum bore diameters shown are standard figures. Decide and confirm bore diameters and key surface pressures based on standard machinery design.

Before Use

Standard Roller Chains

Lube-Free Roller Chains

Heavy Duty Roller Chains

Corrosion Resistant Roller Chains

Specialty Roller Chains

Sprockets

Pin Gear Drives

Accessories

Handling

Sprockets RS Sprocket Stainless Steel Type



Stainless steel type

Uses stainless steel for superb corrosion resistance.
Also highly resistant to high and low temperatures for use in special environments.

Applicable chain sizes : RS11, RS25 to RS80

Hub type : 1B (single hub) (1B or 1C for RS11 only)

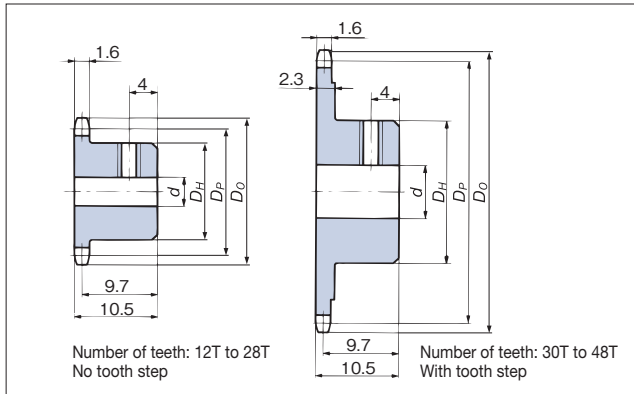
Model numbering example

RS35-1 B 13T - SS

Size and Number of strands: RS35-1
Number of teeth: 13T
Hub type: B (Single hub)
Series: SS (Stainless steel)
C : Dual hub (RS11 only)

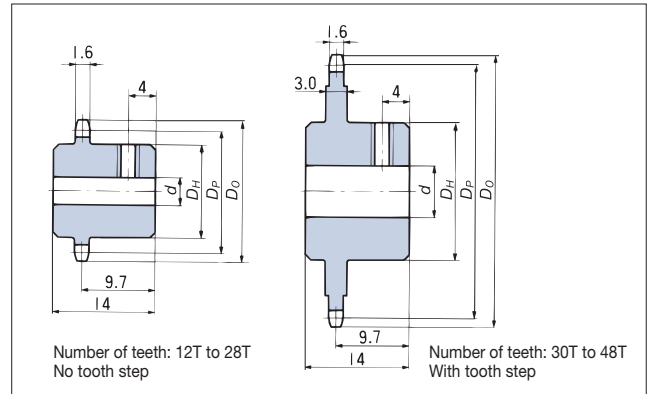
RS11 1B Type

Applicable chain pitch: 3.7465mm Roller dia.: 2.285mm



RS11 1C Type

Applicable chain pitch: 3.7465mm Roller dia.: 2.285mm



(Be aware that no set screws are provided.)

Model number	Number of teeth	Pitch circle dia. D_p	Outer dia. D_o	Bore dia. d		Hub dia. D_H	Set screw hole	1B Approx. mass g	1C Approx. mass g
				Pilot bore	Max.				
RS11-1■12T-SS	12	14.475	16.2	4	6	9.4	M3×0.5	5.9	7.4
RS11-1■15T-SS	15	18.020	19.9	4	9	13		11.5	14.7
RS11-1■16T-SS	16	19.204	21.1	4	9	14		13.5	17.3
RS11-1■18T-SS	18	21.575	23.5	4	11	16		17.7	22.8
RS11-1■20T-SS	20	23.949	25.9	6	13	19	M4×0.7	23.3	30.8
RS11-1■24T-SS	24	28.703	30.7	6	13	19		25.7	32.7
RS11-1■28T-SS	28	33.462	35.5	6	13	19		28.7	35.7
RS11-1■30T-SS	30	35.842	37.9	6	13	19		29.7	39.3
RS11-1■34T-SS	34	40.604	42.7	6	13	19		37.9	48.9
RS11-1■36T-SS	36	42.986	45.1	6	13	19		40.7	52.4
RS11-1■40T-SS	40	47.751	49.8	6	13	19		46.5	59.9
RS11-1■48T-SS	48	57.283	59.4	6	13	19		60.5	77.8

Material/specifications

Machined stainless steel

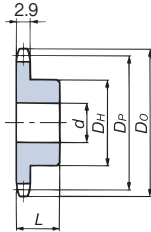
Indicate hub type (B or C) in the ■ in the table above.

All models stocked.

Note: Maximum bore diameters shown are standard figures. Decide and confirm bore diameters and key surface pressures based on standard machinery design.

RS25 1B Type

Applicable chain pitch: 6.35mm Roller dia.: 3.3mm

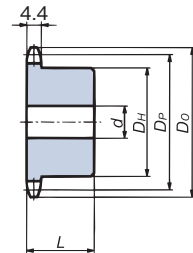
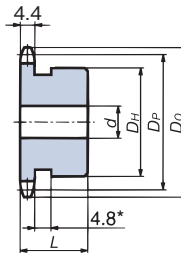


RS35 1B Type

Applicable chain pitch: 9.525mm Roller dia.: 5.08mm

Hub with groove (10T to 13T)

Hub without groove (14T and over)



No. of teeth	Hub dia.	Groove dia.
10T	φ25	φ18
11T	φ27	φ22
12T	φ31	φ24
13T	φ32	φ28

*The groove is provided on the hub perimeter to prevent sprocket-chain interference.

Model number	No. of teeth	Pitch circle dia. D_p	Outer dia. D_o	Bore dia. d		Hub		Approx. mass kg
				Pilot bore	Max.	Dia. D_H	Length L	
RS25-1B10T-SS	10	20.55	23	6	9	14	15	0.02
RS25-1B11T-SS	11	22.54	25	6	10	16	15	0.03
RS25-1B12T-SS	12	24.53	28	6	11	18	15	0.04
RS25-1B13T-SS	13	26.53	30	6	12	20	15	0.05
RS25-1B14T-SS	14	28.54	32	6	12	20	15	0.06
RS25-1B15T-SS	15	30.54	34	6	12	20	20	0.07
RS25-1B16T-SS	16	32.55	36	8	15	25	20	0.08
RS25-1B17T-SS	17	34.56	38	8	15	25	20	0.09
RS25-1B18T-SS	18	36.57	40	8	15	25	20	0.10
RS25-1B19T-SS	19	38.58	42	8	15	25	20	0.10
RS25-1B20T-SS	20	40.59	44	8	15	25	20	0.10
RS25-1B21T-SS	21	42.61	46	10	18	30	20	0.12
RS25-1B22T-SS	22	44.62	48	10	18	30	20	0.13
RS25-1B23T-SS	23	46.63	50	10	18	30	20	0.13
RS25-1B24T-SS	24	48.65	52	10	21	35	20	0.15
RS25-1B25T-SS	25	50.66	54	10	21	35	20	0.16
RS25-1B26T-SS	26	52.68	56	10	25	40	20	0.17
RS25-1B27T-SS	27	54.70	58	10	25	40	20	0.20
RS25-1B28T-SS	28	56.71	60	10	25	40	20	0.21
RS25-1B30T-SS	30	60.75	64	12	28	45	20	0.23
RS25-1B32T-SS	32	64.78	68	12	31	50	20	0.40
RS25-1B34T-SS	34	68.82	72	12	31	50	20	0.41
RS25-1B35T-SS	35	70.84	74	12	31	50	20	0.41
RS25-1B36T-SS	36	72.86	76	12	31	50	20	0.42
RS25-1B38T-SS	38	76.90	80	12	31	50	22	0.43
RS25-1B40T-SS	40	80.93	84	12	31	50	22	0.45
Material/specifications	Machined stainless steel							

Model number	No. of Teeth	Pitch circle dia. D_p	Outer dia. D_o	Bore dia. d		Hub		Approx. mass kg
				Pilot bore	Max.	Dia. D_H	Length L	
RS35-1B10T-SS	10	30.82	35	8	12	25	20	0.08
RS35-1B11T-SS	11	33.81	38	8	14	27	20	0.09
RS35-1B12T-SS	12	36.80	41	8	16.5	31	20	0.12
RS35-1B13T-SS	13	39.80	44	9.5	18	32	20	0.12
RS35-1B14T-SS	14	42.80	47	9.5	16.5	30	20	0.12
RS35-1B15T-SS	15	45.81	51	9.5	19	35	20	0.16
RS35-1B16T-SS	16	48.82	54	9.5	20	37	20	0.19
RS35-1B17T-SS	17	51.84	57	9.5	24	41	20	0.22
RS35-1B18T-SS	18	54.85	60	9.5	24.5	44	20	0.25
RS35-1B19T-SS	19	57.87	63	9.5	28.5	47	20	0.28
RS35-1B20T-SS	20	60.89	66	9.5	30	50	20	0.32
RS35-1B21T-SS	21	63.91	69	9.5	32	53	20	0.36
RS35-1B22T-SS	22	66.93	72	9.5	32	53	20	0.37
RS35-1B23T-SS	23	69.95	75	9.5	32	53	20	0.40
RS35-1B24T-SS	24	72.97	78	9.5	32	53	22	0.43
RS35-1B25T-SS	25	76.00	81	12.7	32	53	22	0.44
RS35-1B26T-SS	26	79.02	84	12.7	32	53	22	0.45
RS35-1B27T-SS	27	82.05	87	12.7	32	53	22	0.46
RS35-1B28T-SS	28	85.07	90	12.7	32	53	22	0.48
RS35-1B30T-SS	30	91.12	96	12.7	32	53	22	0.51
RS35-1B32T-SS	32	97.18	102	12.7	32	53	22	0.54
RS35-1B34T-SS	34	103.23	109	12.7	32	53	22	0.57
RS35-1B35T-SS	35	106.26	112	12.7	32	53	22	0.59
RS35-1B36T-SS	36	109.29	115	12.7	32	53	22	0.61
RS35-1B38T-SS	38	115.34	121	13	42	63	25	0.82
RS35-1B40T-SS	40	121.40	127	13	42	63	25	0.85
Material/specifications	Machined stainless steel							

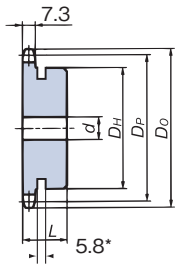
All models stocked.

Sprockets RS Sprocket Stainless Steel Type

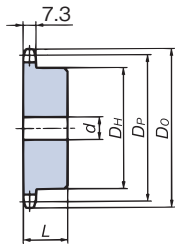
RS40 1B Type

Applicable chain pitch: 12.70mm Roller dia.: 7.92mm

Hub with groove (10T to 12T)



Hub without groove (13T and over)



No. of teeth : Hub dia. : Groove dia.

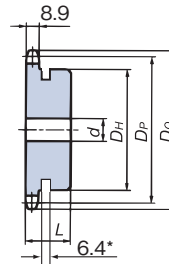
10T	: $\phi 32$: $\phi 25$
11T	: $\phi 37$: $\phi 30$
12T	: $\phi 40$: $\phi 32$

*The groove is provided on the hub perimeter to prevent sprocket-chain interference.

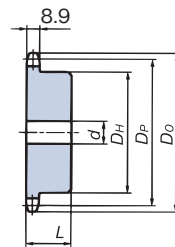
RS50 1B Type

Applicable chain pitch: 15.875mm Roller dia.: 10.16mm

Hub with groove (10T to 13T)



Hub without groove (14T to 40T)



No. of teeth : Hub dia. : Groove dia.

10T	: $\phi 40$: $\phi 32$
11T	: $\phi 46$: $\phi 37$
12T	: $\phi 51$: $\phi 42$
13T	: $\phi 51$: $\phi 47$

*The groove is provided on the hub perimeter to prevent sprocket-chain interference.

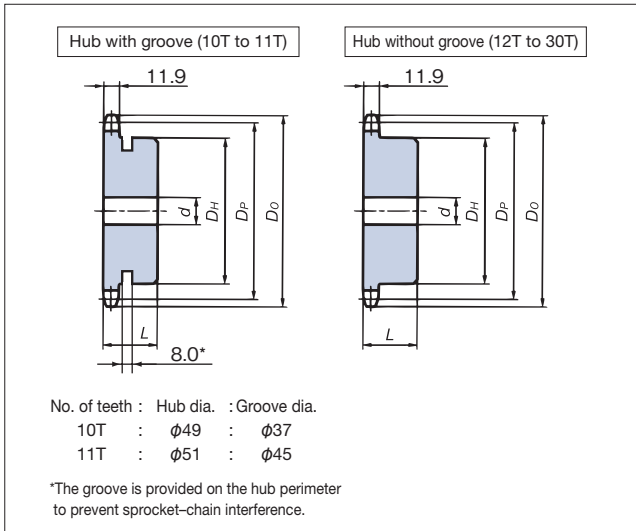
Model number	No. of teeth	Pitch circle dia. D_p	Outer dia. D_o	Bore dia. d		Hub		Approx. mass kg
				Pilot bore	Max.	Dia. D_H	Length L	
RS40-1B10T-SS	10	41.10	47	9.5	16.5	32	22	0.14
RS40-1B11T-SS	11	45.08	51	9.5	20	37	22	0.19
RS40-1B12T-SS	12	49.07	55	9.5	22	40	22	0.22
RS40-1B13T-SS	13	53.07	59	9.5	20	37	22	0.23
RS40-1B14T-SS	14	57.07	63	9.5	24	42	22	0.28
RS40-1B15T-SS	15	61.08	67	9.5	28.5	46	22	0.34
RS40-1B16T-SS	16	65.10	71	12.7	30	50	22	0.40
RS40-1B17T-SS	17	69.12	76	12.7	32	54	22	0.46
RS40-1B18T-SS	18	73.14	80	12.7	35	57	22	0.51
RS40-1B19T-SS	19	77.16	84	12.7	39.5	62	22	0.59
RS40-1B20T-SS	20	81.18	88	12.7	45.5	67	25	0.76
RS40-1B21T-SS	21	85.21	92	12.7	45.5	71	25	0.85
RS40-1B22T-SS	22	89.24	96	12.7	50	75	25	0.95
RS40-1B23T-SS	23	93.27	100	12.7	50	77	25	1.0
RS40-1B24T-SS	24	97.30	104	12.7	42	63	25	0.84
RS40-1B25T-SS	25	101.33	108	12.7	42	63	25	0.88
RS40-1B26T-SS	26	105.36	112	12.7	42	63	25	0.92
RS40-1B27T-SS	27	109.40	116	12.7	42	63	25	0.96
RS40-1B28T-SS	28	113.43	120	12.7	42	63	25	1.0
RS40-1B30T-SS	30	121.50	128	12.7	42	63	25	1.1
RS40-1B32T-SS	32	129.57	137	16	45	68	28	1.3
RS40-1B34T-SS	34	137.64	145	16	45	68	28	1.3
RS40-1B35T-SS	35	141.68	149	16	45	68	28	1.4
RS40-1B36T-SS	36	145.72	153	16	45	68	28	1.4
RS40-1B38T-SS	38	153.79	161	16	45	68	28	1.5
RS40-1B40T-SS	40	161.87	169	16	45	68	28	1.6
Material/specifications	Machined stainless steel							

Model number	No. of teeth	Pitch circle dia. D_p	Outer dia. D_o	Bore dia. d		Hub		Approx. mass kg
				Pilot bore	Max.	Dia. D_H	Length L	
RS50-1B10T-SS	10	51.37	58	9.5	22	40	25	0.27
RS50-1B11T-SS	11	56.35	64	12.7	25	46	25	0.33
RS50-1B12T-SS	12	61.34	69	12.7	32	51	25	0.41
RS50-1B13T-SS	13	66.33	74	12.7	32	51	25	0.46
RS50-1B14T-SS	14	71.34	79	12.7	32	52	25	0.52
RS50-1B15T-SS	15	76.35	84	12.7	35	57	25	0.62
RS50-1B16T-SS	16	81.37	89	12.7	40	62	25	0.72
RS50-1B17T-SS	17	86.39	94	12.7	45.5	67	25	0.83
RS50-1B18T-SS	18	91.42	100	12.7	47.5	72	28	1.0
RS50-1B19T-SS	19	96.45	105	12.7	47.5	73	28	1.1
RS50-1B20T-SS	20	101.48	110	12.7	47.5	73	28	1.2
RS50-1B21T-SS	21	106.51	115	15.9	47.5	73	28	1.2
RS50-1B22T-SS	22	111.55	120	15.9	47.5	73	28	1.3
RS50-1B23T-SS	23	116.59	125	15.9	47.5	73	28	1.3
RS50-1B24T-SS	24	121.62	130	15.9	47.5	73	28	1.4
RS50-1B25T-SS	25	126.66	135	15.9	47.5	73	28	1.5
RS50-1B26T-SS	26	131.70	140	18	48	73	28	1.5
RS50-1B27T-SS	27	136.74	145	18	48	73	28	1.5
RS50-1B28T-SS	28	141.79	150	18	48	73	28	1.6
RS50-1B30T-SS	30	151.87	161	18	48	73	28	1.8
RS50-1B32T-SS	32	161.96	171	18	48	73	28	1.9
RS50-1B34T-SS	34	172.05	181	18	48	73	28	2.1
RS50-1B35T-SS	35	177.10	186	18	48	73	28	2.2
RS50-1B36T-SS	36	182.15	191	23	55	83	35	2.7
RS50-1B38T-SS	38	192.24	201	23	55	83	35	2.9
RS50-1B40T-SS	40	202.33	211	23	55	83	35	3.1
Material/specifications	Machined stainless steel							

All models stocked.

RS60 1B Type

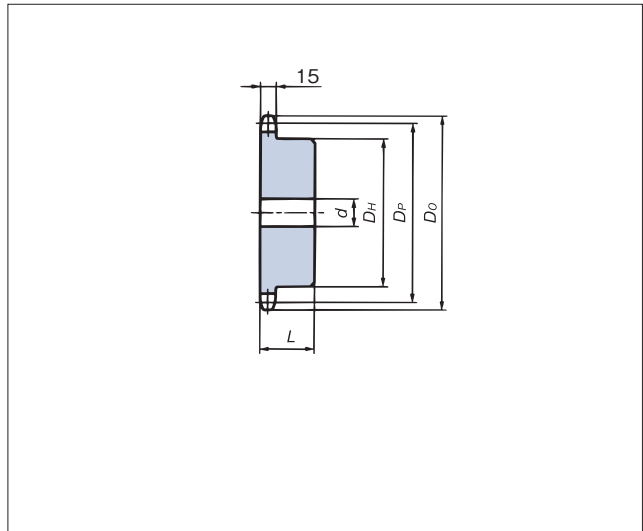
Applicable chain pitch: 19.05mm Roller dia.: 11.91mm



Model number	No. of teeth	Pitch circle dia. D_p	Outer dia. D_o	Bore dia. d		Hub		Approx. mass kg
				Pilot bore	Max.	Dia. D_H	Length L	
RS60-1B10T-SS	10	61.65	70	12.7	30	49	32	0.49
RS60-1B11T-SS	11	67.62	76	12.7	32	51	32	0.60
RS60-1B12T-SS	12	73.60	83	12.7	32	51	32	0.69
RS60-1B13T-SS	13	79.60	89	15.9	35	57	32	0.81
RS60-1B14T-SS	14	85.61	95	15.9	39.5	62	32	0.96
RS60-1B15T-SS	15	91.63	101	15.9	45.5	68	32	1.1
RS60-1B16T-SS	16	97.65	107	15.9	47.5	73	32	1.3
RS60-1B17T-SS	17	103.67	113	15.9	47.5	73	32	1.4
RS60-1B18T-SS	18	109.70	119	15.9	55	83	40	2.0
RS60-1B19T-SS	19	115.74	126	15.9	55	83	40	2.1
RS60-1B20T-SS	20	121.78	132	15.9	55	83	40	2.2
RS60-1B21T-SS	21	127.82	138	15.9	55	83	40	2.3
RS60-1B22T-SS	22	133.86	144	15.9	55	83	40	2.5
RS60-1B23T-SS	23	139.90	150	18	55	83	40	2.5
RS60-1B24T-SS	24	145.95	156	18	55	83	40	2.6
RS60-1B25T-SS	25	151.99	162	18	55	83	40	2.7
RS60-1B26T-SS	26	158.04	168	18	55	83	40	2.9
RS60-1B27T-SS	27	164.09	174	18	55	83	40	3.0
RS60-1B28T-SS	28	170.14	180	18	55	83	40	3.1
RS60-1B30T-SS	30	182.25	193	18	55	83	40	3.4
Material/specifications	Machined stainless steel							

RS80 1B Type

Applicable chain pitch: 25.40mm Roller dia.: 15.88mm



Model number	No. of teeth	Pitch circle dia. D_p	Outer dia. D_o	Bore dia. d		Hub		Approx. mass kg
				Pilot bore	Max.	Dia. D_H	Length L	
RS80-1B10T-SS	10	82.20	93	15.9	32	52	40	0.97
RS80-1B11T-SS	11	90.16	102	15.9	38	60	40	1.2
RS80-1B12T-SS	12	98.14	110	19	45	67	40	1.5
RS80-1B13T-SS	13	106.14	118	19	50	77	40	1.9
RS80-1B14T-SS	14	114.15	127	19	50	77	40	2.0
RS80-1B15T-SS	15	122.17	135	19	63	93	40	2.6
RS80-1B16T-SS	16	130.20	143	19	63	93	40	2.8
RS80-1B17T-SS	17	138.23	151	19	63	93	40	3.0
RS80-1B18T-SS	18	146.27	159	19	63	93	40	3.2
RS80-1B19T-SS	19	154.32	167	23	63	93	40	3.4
RS80-1B20T-SS	20	162.37	176	23	63	93	40	3.6
RS80-1B21T-SS	21	170.42	184	23	63	93	40	3.8
RS80-1B22T-SS	22	178.48	192	28	75	107	45	4.8
RS80-1B23T-SS	23	186.54	200	28	75	107	45	5.1
RS80-1B24T-SS	24	194.60	208	28	75	107	45	5.4
RS80-1B25T-SS	25	202.66	216	28	75	107	45	5.6
Material/specifications	Machined stainless steel							

All models stocked.

Sprockets RS Sprocket Engineering Plastic Type



Engineering plastic type

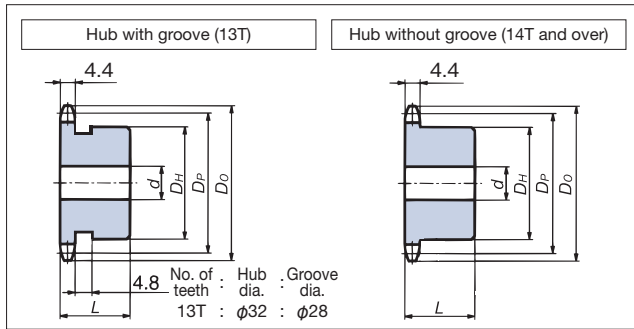
Uses a special MC901 nylon plastic (blue). Allows for lube-free operation.

(Chain speed less than 70 m/min recommended. Can be used up to 150 m/min in lubricated conditions.)

Available chain sizes : RS35 to RS60

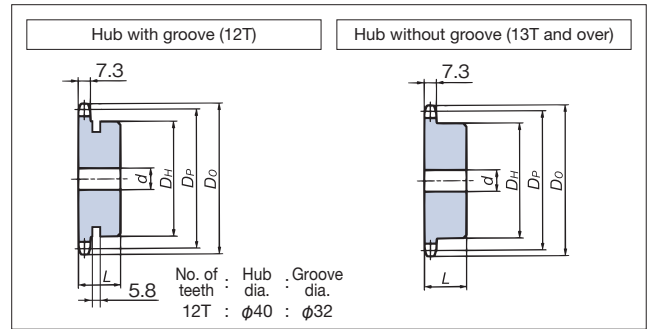
Hub type : 1B

RS35



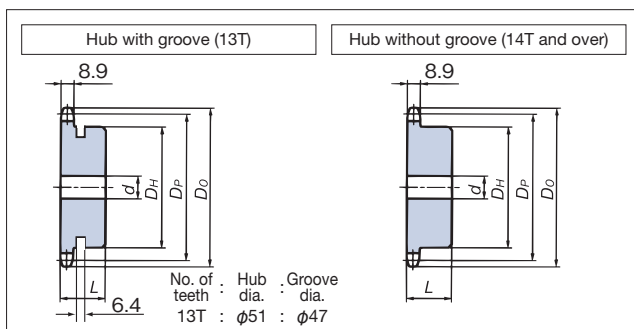
Model number	No. of teeth	Allowable transmission torque N·m	Pitch circle dia. D_p	Outer dia. D_o	Bore dia. d		Hub		Approx. mass kg
					Pilot bore	Max.	Dia. D_H	Length L	
RS35-1B13T-P	13	5.30	39.80	44	9.5	14	32	20	0.02
RS35-1B14T-P	14	5.69	42.80	46	9.5	15	30	20	0.02
RS35-1B15T-P	15	6.08	45.81	51	9.5	17	35	20	0.02
RS35-1B16T-P	16	6.47	48.82	53	9.5	19	37	20	0.03
RS35-1B17T-P	17	6.86	51.84	57	9.5	22	41	20	0.03
RS35-1B18T-P	18	7.26	54.85	60	12.7	22	44	20	0.04
RS35-1B20T-P	20	8.04	60.89	66	12.7	27	50	20	0.05
RS35-1B22T-P	22	8.83	66.93	72	12.7	28	53	20	0.06
RS35-1B24T-P	24	9.71	72.97	78	12.7	32	60	22	0.08
RS35-1B25T-P	25	10.1	76.00	81	12.7	32	60	22	0.08
RS35-1B26T-P	26	10.5	79.02	83	12.7	35	65	22	0.09
RS35-1B28T-P	28	11.3	85.07	90	12.7	40	70	22	0.10
RS35-1B30T-P	30	12.1	91.12	96	12.7	42	75	22	0.12

RS40



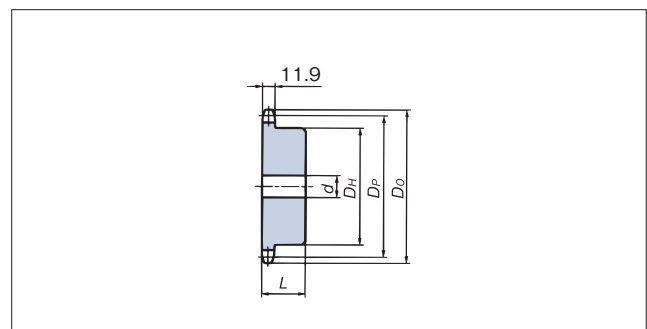
Model number	No. of teeth	Allowable transmission torque N·m	Pitch circle dia. D_p	Outer dia. D_o	Bore dia. d		Hub		Approx. mass kg
					Pilot bore	Max.	Dia. D_H	Length L	
RS40-1B12T-P	12	10.8	49.07	53	9.5	16	40	22	0.03
RS40-1B13T-P	13	11.7	53.07	58	12.7	18	37	22	0.04
RS40-1B14T-P	14	12.6	57.07	63	12.7	22	42	22	0.04
RS40-1B15T-P	15	13.4	61.08	67	12.7	25	46	22	0.05
RS40-1B16T-P	16	14.3	65.10	71	12.7	27	50	22	0.06
RS40-1B17T-P	17	15.3	69.12	75	12.7	28	54	22	0.07
RS40-1B18T-P	18	16.2	73.14	78	12.7	30	57	22	0.08
RS40-1B20T-P	20	17.9	81.18	88	12.7	35	67	25	0.11
RS40-1B22T-P	22	19.6	89.24	96	12.7	42	75	25	0.14
RS40-1B24T-P	24	21.5	97.30	104	12.7	50	80	25	0.16
RS40-1B25T-P	25	22.4	101.33	108	12.7	50	80	25	0.17
RS40-1B26T-P	26	23.2	105.36	112	12.7	52	85	25	0.18
RS40-1B28T-P	28	25.0	113.43	120	12.7	55	90	25	0.21
RS40-1B30T-P	30	26.8	121.50	128	12.7	60	100	25	0.26

RS50



Model number	No. of teeth	Allowable transmission torque N·m	Pitch circle dia. D_p	Outer dia. D_o	Bore dia. d		Hub		Approx. mass kg
					Pilot bore	Max.	Dia. D_H	Length L	
RS50-1B13T-P	13	22.8	66.34	73	12.7	25	51	25	0.07
RS50-1B14T-P	14	24.5	71.34	78	12.7	28	52	25	0.08
RS50-1B15T-P	15	26.2	76.35	83	12.7	30	57	25	0.09
RS50-1B16T-P	16	27.9	81.37	89	12.7	32	62	25	0.11
RS50-1B17T-P	17	29.6	86.39	93	12.7	35	67	25	0.12
RS50-1B18T-P	18	31.4	91.42	98	12.7	40	72	28	0.15
RS50-1B20T-P	20	34.8	101.48	110	15.9	50	80	28	0.20
RS50-1B22T-P	22	38.2	111.55	120	15.9	55	90	28	0.24
RS50-1B24T-P	24	41.8	121.62	130	15.9	60	100	28	0.29
RS50-1B25T-P	25	43.4	126.66	135	15.9	60	100	28	0.31
RS50-1B26T-P	26	45.2	131.70	140	18	65	110	28	0.34
RS50-1B28T-P	28	48.6	141.79	150	18	70	120	28	0.40
RS50-1B30T-P	30	52.2	151.87	161	18	70	120	28	0.43

RS60



Model number	No. of teeth	Allowable transmission torque N·m	Pitch circle dia. D_p	Outer dia. D_o	Bore dia. d		Hub		Approx. mass kg
					Pilot bore	Max.	Dia. D_H	Length L	
RS60-1B13T-P	13	41.0	79.60	88	15.9	30	57	32	0.12
RS60-1B14T-P	14	44.1	85.61	93	15.9	32	62	32	0.14
RS60-1B15T-P	15	47.2	91.62	99	15.9	35	68	32	0.16
RS60-1B16T-P	16	50.3	97.65	107	15.9	42	73	32	0.19
RS60-1B17T-P	17	53.3	103.67	113	15.9	50	80	32	0.21
RS60-1B18T-P	18	56.5	109.71	119	15.9	52	85	40	0.30
RS60-1B20T-P	20	62.7	121.78	132	15.9	60	95	40	0.38
RS60-1B22T-P	22	68.9	133.86	144	15.9	65	110	40	0.51
RS60-1B24T-P	24	75.1	145.95	156	18	70	120	40	0.57
RS60-1B25T-P	25	78.3	151.99	162	18	70	120	40	0.59
RS60-1B26T-P	26	81.4	158.04	168	18	70	120	40	0.62
RS60-1B28T-P	28	87.6	170.14	180	18	70	120	40	0.65
RS60-1B30T-P	30	93.8	182.25	193	18	70	120	40	0.70

Items in bold are stocked, while other items are made-to-order.



Features

Smart

There are codes for the types of finishing, making ordering by model number accurate.

Smooth

The customer does not need to create a drawing when ordering. We can also provide drawings for checking specifications.

Speedy

Can be used as-is when received.

Steps to Take in Considering Additional Bore Finishing

1. Check for Fit Bore stocked products (page 132).
2. Check for Fit Bore short-delivery or made-to-order products (from pages 133 to 134).
3. Customized shaft bore machining other than the above is also available. Contact a Tsubaki representative for a quote.

Table of Contents

Model numbering examples 131

Range of bore finishing and codes..... 131

Keyway processing dimensions 131

Fit Bore products..... 132

Bore finishing and tapped hole positioning 135

Reference..... 136

Sprockets RS Sprocket Fit Bore

Fit Bore Model Number and Machining Designations

Chain model number	Shaft bore machining	Keyway/tap	Surface treatment
RS80-1B20TQ	H 030 N	- J 08 D2 M06	- B
	① ② ③	④ ⑤ ⑥ ⑦	⑧

Chain model number (available sizes)

RS sprockets	▶ 1-strand	RS35 to RS240	▶ 2-strand (2B)	RS35 to RS240
	▶ SD	RS40 to RS80	▶ 1-strand stainless steel	RS35 to RS80
Double Pitch sprockets	▶ Sprockets for BS/DIN chain			
	▶ S rollers/R rollers Set for each steel/stainless steel model			
Other	▶ For Double Plus chains		▶ For Top chains	


Shaft bore machining

① Shaft bore tolerance

Tsubaki standard

G → G7 **H** → H7

M → M7 Note: Grade 7 only.



Bore machining

Keyway/tap

④ Keyway width tolerance and grade

Tsubaki standard

J → Js9 **F** → F7 **P** → P9

E → E9 **W** → No keyway

⑤ Keyway width

Specify using a 2-digit integer (JIS compliant)

- For no keyway, specify **W 00**.
- Keyway size can be selected only for Js9 and P9 (new JIS). Minimum and maximum keyway size overlap in the applicable shaft bore range can also be selected.

② Shaft bore diameter

③ Chamfer symbol

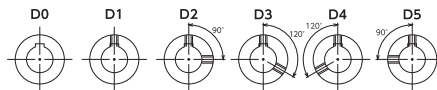
N → Tsubaki standard (see table below)

A → C1

B → C2

C → C3

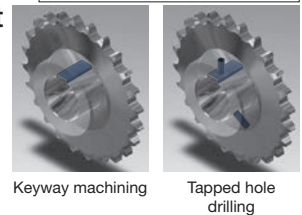
⑥ Number of taps and arrangement



⑦ Tapped hole size

Specify using a 2-digit integer • With set screw

- For no taps, specify **D0 M00**.
- Tapped hole sizes larger or smaller than Tsubaki standard size are available. However, for size M4 or larger, make sure not to exceed keyway width (details below).



Applicable shaft bore dia. (mm)	Chamfer amount
10 - 20	C1
21 - 32	C1.2
33 - 50	C1.6
51 - 80	C2.5
81 - 170	C3

Available chamfers

Shaft bore dia.	Available chamfer amounts			
	N	A	B	C
10 - 17	N	A	—	—
18 - 44	N	A	B	—
45 - 170	N	A	B	C

For Js9/P9 (new JIS standards)

Applicable shaft bore dia. (mm)	Keyway width (mm)	Tsubaki standard size	Available sizes
10 - 12	4	M4	—
12 - 17	5	M5	M4
17 - 22	6	M6	M5
22 - 30	8	M6	M5, M8
30 - 38	10	M8	M6, M10
38 - 44	12	M8	M6, M10
44 - 50	14	M8	M6, M10
50 - 58	16	M10	M8, M12
58 - 65	18	M10	M8, M12
65 - 75	20	M12	M10, M16
75 - 85	22	M12	M10, M16
85 - 95	25	M16	M12, M20
95 - 110	28	M16	M12, M20
110 - 130	32	M20	M16
130 - 150	36	M20	M16
150 - 170	40	M20	M16
170 - (200)	45	M24	M20

For F7/E9 (old JIS standards)

Applicable shaft bore dia. (mm)	Keyway width (mm)	Tsubaki standard size	Available sizes
10 - 13	4	M4	—
14 - 20	5	M5	M4
21 - 30	7	M6	M5
31 - 40	10	M8	M6, M10
41 - 50	12	M8	M6, M10
51 - 60	15	M8	M6, M10
61 - 70	18	M10	M8, M12
71 - 80	20	M12	M10, M16
81 - 95	24	M12	M10, M16
96 - 110	28	M16	M12, M20
111 - 125	32	M20	M16
126 - 140	35	M20	M16
141 - 160	38	M20	M16
161 - 170	42	M20	M16

Set Screw Specifications



- Steel cup point set screws with hexagonal hole
- Use plated set screws, or stainless steel screws with stainless steel sprockets

⑧ Surface treatment

B → Black oxide treatment **K** → Electroless nickel-phosphorous plating **C** → Electrogalvanized trivalent chromate

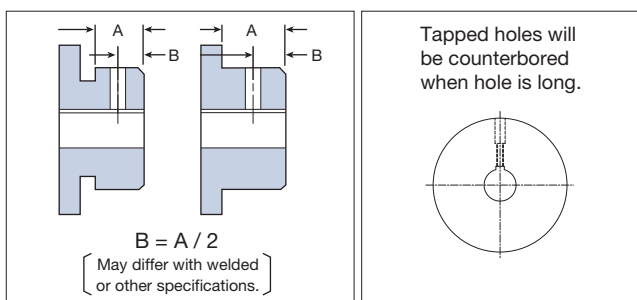
Note: Black oxide treatment is also applied to additionally machined portions (bore, keyway, tap hole).

Bore Finishing and Tapped Hole Positions and Details

Processing code			A type	B type	C type	SD type
Bore	Key	Tap				
-	-	0				
-	-	0	—			
-	-	1	—			
-	-	2	—			
-	-	3	—			
-	-	1	—			
-	-	2	—			
-	-	3	—			

Note: Contact a Tsubaki representative regarding bore and keyway dimensional tolerances and tapped hole positioning.

Tapped Hole Position



Reference

Allowable bore dimensional tolerances (Taken from JIS B0401-2)

Unit: μm

Bore classification mm		G7		H6		H7		H8		M7		N7		P7		R7	
More than	Up to	Above	Below	Above	Below	Above	Below	Above	Below	Above	Below	Above	Below	Above	Below	Above	Below
3	6	+16	+4	+8	0	+12	0	+18	0	+0	-12	-4	-16	-8	-20	-11	-23
6	10	+20	+5	+9	0	+15	0	+22	0	+0	-15	-4	-19	-9	-24	-13	-28
10	18	+24	+6	+11	0	+18	0	+27	0	+0	-18	-5	-23	-11	-29	-16	-34
18	30	+28	+7	+13	0	+21	0	+33	0	+0	-21	-7	-28	-14	-35	-20	-41
30	40	+34	+9	+16	0	+25	0	+39	0	+0	-25	-8	-33	-17	-42	-25	-50
40	50																
50	65	+40	+10	+19	0	+30	0	+46	0	+0	-30	-9	-39	-21	-51	-30	-60
65	80															-32	-62
80	100	+47	+12	+22	0	+35	0	+54	0	+0	-35	-10	-45	-24	-59	-38	-73
100	120															-41	-76
120	140	+54	+14	+25	0	+40	0	+63	0	+0	-40	-12	-52	-28	-68	-48	-88
140	160															-50	-90
160	180	+61	+15	+29	0	+46	0	+72	0	+0	-46	-147	-60	-33	-79	-53	-93
180	200															-60	-106
200	225	+69	+17	+32	0	+52	0	+81	0	+0	-52	-14	-66	-36	-88	-63	-109
225	250															-67	-113
250	280	+75	+18	+36	0	+57	0	+89	0	+0	-57	-16	-73	-41	-98	-74	-126
280	315															-78	-130
315	355	+83	+20	+40	0	+63	0	+97	0	+0	-63	-17	-80	-45	-108	-87	-144
355	400															-93	-150
400	450	+83	+20	+40	0	+63	0	+97	0	+0	-63	-17	-80	-45	-108	-103	-166
450	500															-109	-172

Tsubaki standard keyway dimensions and tolerances

Unit: mm

Applicable bore dia.	Keyway width	Tolerance (Js9)	Tolerance (P9)	Keyway depth	Tolerance	Set screw	Applicable bore dia.	Keyway width	Tolerance (F7)	Tolerance (P9)	Keyway depth	Tolerance	Set screw	
d	KW			KH		MX	d	KW			KH		MX	
10 and up to 12	4	± 0.0150	0.012 -0.042	1.8	+ 0.1 0	M4	10 and up to 13	4	+ 0.022	+ 0.050	1.5	+ 0.1 0	M4	
12 and up to 17	5			2.3		M5	13 and up to 20	5	+ 0.010	+ 0.020	2.0		M5	
17 and up to 22	6			2.8		M6	20 and up to 30	7	+ 0.028	+ 0.061	3.0		M6	
22 and up to 30	8	± 0.0180	- 0.015 - 0.051	3.3	+ 0.2 0	M8	30 and up to 40	10	+ 0.013	+ 0.025	3.5	+ 0.15 0	M8	
30 and up to 38	10			3.3			M10	40 and up to 50	12	+ 0.034 + 0.016	+ 0.075 + 0.032			3.5
38 and up to 44	12	3.3	M12	50 and up to 60		15	5.0	+ 0.041 + 0.020	+ 0.092 + 0.040			6.0	M12	
44 and up to 50	14	± 0.0215	- 0.018 - 0.061	3.8		6.0	+ 0.050 + 0.025			+ 0.112 + 0.050	6.0	M16		
50 and up to 58	16	4.3		M16		60 and up to 70		18	9.0		+ 0.060 + 0.030		+ 0.134 + 0.060	9.0
58 and up to 65	18	4.4	M20	70 and up to 80		20	10.0	+ 0.071 + 0.036	+ 0.159 + 0.072	10.0		M24		
65 and up to 75	20	± 0.0260	- 0.022 - 0.074	4.9		+ 0.3 0	—			110 and up to 125	32		+ 0.060 + 0.030	+ 0.134 + 0.060
75 and up to 85	22			5.4				M24	125 and up to 140	35	11.0	+ 0.070 + 0.035		
85 and up to 95	25	± 0.0310	- 0.026 - 0.088	5.4		12.0	+ 0.060 + 0.030	+ 0.134 + 0.060	13.0	+ 0.070 + 0.035	+ 0.160 + 0.075		13.0	+ 0.2 0
95 and up to 110	28			6.4		M20			140 and up to 160			38	14.0	
110 and up to 130	32	7.4	M24	160 and up to 180	42	15.5	+ 0.070 + 0.035	+ 0.160 + 0.075	15.5	+ 0.2 0	—			
130 and up to 150	36	8.4	—	8.4	17.5	+ 0.070 + 0.035			+ 0.160 + 0.075			17.5	+ 0.070 + 0.035	+ 0.160 + 0.075
150 and up to 170	40	9.4	—	9.4	20.0		+ 0.070 + 0.035	+ 0.160 + 0.075		20.0	+ 0.070 + 0.035	+ 0.160 + 0.075		
170 and up to 200	45	10.4	—	10.4	22.5	+ 0.070 + 0.035			+ 0.160 + 0.075	22.5			+ 0.070 + 0.035	+ 0.160 + 0.075
200 and up to 230	50	11.4	—	11.4	25.0		+ 0.070 + 0.035	+ 0.160 + 0.075		25.0	+ 0.070 + 0.035	+ 0.160 + 0.075		
230 and up to 260	56	12.4	—	12.4	28.0	+ 0.070 + 0.035			+ 0.160 + 0.075	28.0			+ 0.070 + 0.035	+ 0.160 + 0.075
260 and up to 290	63	12.4	—	12.4	31.5		+ 0.070 + 0.035	+ 0.160 + 0.075		31.5	+ 0.070 + 0.035	+ 0.160 + 0.075		
290 and up to 330	70	14.4	—	14.4	35.5	+ 0.070 + 0.035			+ 0.160 + 0.075	35.5			+ 0.070 + 0.035	+ 0.160 + 0.075
330 and up to 380	80	15.4	—	15.4	400 and up to 450		100	+ 0.070 + 0.035		+ 0.160 + 0.075	100	+ 0.070 + 0.035		
380 and up to 440	90	17.4	—	17.4	450 and up to 500	112	+ 0.070 + 0.035		+ 0.160 + 0.075		112		+ 0.070 + 0.035	+ 0.160 + 0.075
440 and up to 500	100	± 0.0435	- 0.037 - 0.124	17.4 19.5	—	—		—		—	—	—		

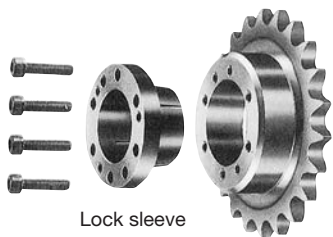
Note: Based on new JIS standards (B1301-1996) and old JIS standards (B1301-1959).

Sprockets **Lock Sprocket (with keyless locking device) S Type**

Lock Sprockets are sprockets with integrated keyless friction type integrated couplings.

Available models: RS35 to RS100 1B type RS sprockets Note: All models are made-to-order.

Features

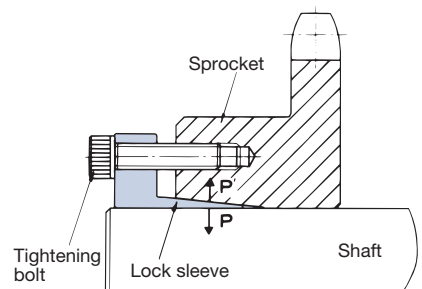


Lock sleeve

- ◆ No wobbling after mounting (tightening)
- ◆ Easy phase alignment
- ◆ Easy mounting and dismounting
- ◆ No retainers required

Tightening Principle

The inner diameter of the sprocket and the outer diameter of the lock sleeve are tapered. When the mounting bolts are tightened, the sprocket will slide and move up on the tapered surface. A wedge action will generate force P and force P' in the radial direction to press on the shaft and tapered inner side, and frictional force will tightly secure the sprocket and shaft.

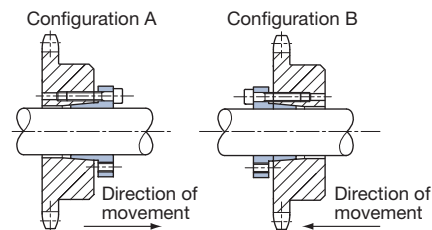


Bolt Tightening Positions

The same sleeve is used for all models, so some holes may not be used. Check the installation guide that comes with the product before attaching the mounting bolts for use.

Direction of Sprocket Movement when Tightening Bolts

When mounting an S Type Lock Sprocket, the sprocket will move 0.5mm to 1.0mm in the direction of the shaft between the time the sprocket is initially secured and the time the sprocket is tightened. Therefore, take this movement into consideration when centering the sprocket. The amount of sprocket movement varies with the type. (See the illustration on the right.)



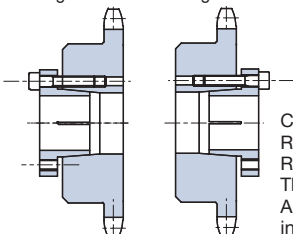
General Precautions

- 1) Allowable transmission torque:
Ensure that the load torque does not exceed the specified transmission torque in the dimension table.
- 2) Shaft diameter tolerance and surface roughness:
Use a shaft diameter tolerance of h8 and a surface roughness degree of 12S as your standards.
- 3) Mounting to shafts provided with keyways or D-shaped shafts:
The allowable transmission torque will decrease by 10% when mounting the sprocket to a shaft provided with a finished keyway, such as a motor shaft, or to a D-shaped shaft.
- 4) Mounting to cold finished carbon steel bars:
The allowable transmission torque will decrease by 10% when mounting the sprocket to a cold finished carbon steel bar (drawn steel with an allowable diameter of 8 to 10 class).
- 5) Ensure that the shaft is a solid shaft using S35C grade or higher steel.
- 6) Operating temperature range: -20°C to 200°C
- 7) Always use a torque wrench when tightening the bolts. (Refer to the torque wrench operation manual for proper use.)

Ordering S Type Lock Sprockets

Sleeve mounting configuration

Configuration A Configuration B



Caution regarding sleeve mounting:
RS35-1B19TQ-S33□□
RS40-1B15TQ-S33□□
The above models can use configuration A only, as configuration B will cause interference with the chain.

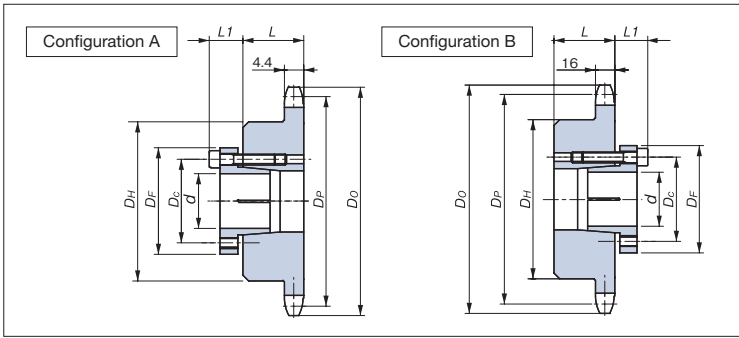
Model numbering example

RS40 - 1B 21T Q - S4825 A

- Size
- Number of strands
- Hub type
- Number of teeth
- Teeth
Q: Hardened teeth
Blank: Non-hardened teeth
- Configuration
- Sleeve model number
- Bore dia. (φ25mm)
- Number of mounting bolts (8)
- Sleeve model (S4)

RS35

Applicable chain pitch: 9.525mm Roller dia.: 5.08mm



S Type lock sleeve dimensions

Sleeve model	ϕD_f mm	ϕD_c mm	L_1 mm	Bolt size (M×S)	Tightening torque (N·m)
S1	32.0	24.0	12.0	M4×16	4.2
S2	42.0	32.0	14.0	M5×18	8.3
S3	48.5	38.5	15.5	M5×20	8.3
S4	56.0	46.0	15.5	M5×20	8.3
S5	66.0	56.0	17.5	M5×22	8.3
S6	80.0	68.0	21.0	M6×25	16.8
S7	101.0	86.0	24.5	M8×30	40.5

All models feature hardened teeth.

Model number	Pitch circle dia. D_p	(Outer dia.) (D_o)	Hub dia. D_H	Hub length L	Applicable bore dia. ϕd												No. of teeth
					10	11	12	14	15	16	17	18	19	20	21	22	
RS35-1B15TQ-S14	45.81	51	35	20	●	●	●	●	●	●							15
RS35-1B16TQ-S14	48.82	54	37	20	●	●	●	●	●	●							16
RS35-1B17TQ-S14	51.84	57	41	20	●	●	●	●	●	●							17
RS35-1B18TQ-S14	54.85	60	44	20		●	●	●	●	●							18
RS35-1B18TQ-S24											●	●	●	●	●	●	18
RS35-1B19TQ-S14	57.87	63	47	20		●	●	●	●	●							19
RS35-1B19TQ-S24											●	●	●	●	●	●	19
RS35-1B20TQ-S14	60.89	66	50	20			●	●	●	●							20
RS35-1B20TQ-S24											●	●	●	●	●	●	20
RS35-1B21TQ-S16	63.91	69	53	20				●	●	●							21
RS35-1B21TQ-S24											●	●	●	●	●	●	21
RS35-1B22TQ-S16	66.93	72	53	20				●	●	●							22
RS35-1B22TQ-S24											●	●	●	●	●	●	22
RS35-1B23TQ-S16	69.95	75	53	20				●	●	●							23
RS35-1B23TQ-S24											●	●	●	●	●	●	23
RS35-1B24TQ-S16	72.97	78	53	20				●	●	●							24
RS35-1B24TQ-S24											●	●	●	●	●	●	24
RS35-1B25TQ-S16	76.00	81	53	20				●	●	●							25
RS35-1B25TQ-S24											●	●	●	●	●	●	25
RS35-1B26TQ-S16	79.02	84	53	22				●	●	●							26
RS35-1B26TQ-S24											●	●	●	●	●	●	26
RS35-1B27TQ-S16	82.05	87	53	22				●	●	●							27
RS35-1B27TQ-S24											●	●	●	●	●	●	27
RS35-1B28TQ-S16	85.07	90	53	22				●	●	●							28
RS35-1B28TQ-S24											●	●	●	●	●	●	28
RS35-1B30TQ-S16	91.12	96	53	22				●	●	●							30
RS35-1B30TQ-S24											●	●	●	●	●	●	30
RS35-1B32TQ-S16	97.18	102	53	22				●	●	●							32
RS35-1B32TQ-S24											●	●	●	●	●	●	32
RS35-1B34TQ-S16	103.23	109	53	22				●	●	●							34
RS35-1B34TQ-S24											●	●	●	●	●	●	34
RS35-1B35TQ-S16	106.26	112	53	22				●	●	●							35
RS35-1B35TQ-S24											●	●	●	●	●	●	35
RS35-1B36TQ-S16	109.29	115	53	22				●	●	●							36
RS35-1B36TQ-S24											●	●	●	●	●	●	36
RS35-1B38TQ-S16	115.34	121	63	25				●	●	●							38
RS35-1B38TQ-S24											●	●	●	●	●	●	38
RS35-1B40TQ-S16	121.40	127	63	25				●	●	●							40
RS35-1B40TQ-S24											●	●	●	●	●	●	40

Input the bore diameter in the white □ boxes after the model number, and configuration A or B in the black ■ box. ● circles indicate applicable bore diameters.

Model numbering example **RS35 - 1B 23T Q - S1616 ■**

- Size: RS35
- Number of strands: 1
- Hub type: B
- Number of teeth: 23
- Hardened teeth: T
- Configuration A/B: Q
- Sleeve model number: S16
- Bore dia. (ϕ 16mm): 16
- Number of mounting bolts (6): ■
- Sleeve model (S1): ■

Sprockets Lock Sprocket S Type

RS35

All models feature hardened teeth.

Model number	Pitch circle dia. D_p	(Outer dia.) (D_o)	Hub dia. D_H	Hub length L	Applicable bore dia. ϕd						No. of teeth
					24	25	28	30	32	35	
*RS35-1B19TQ-S33□□A	57.87	63	47	20	●	●	●				19
RS35-1B20TQ-S33□□■	60.89	66	50	20	●	●	●				20
RS35-1B21TQ-S34□□■	63.91	69	53	20	●	●	●				21
RS35-1B22TQ-S44□□■	66.93	72	53	20	●	●	●	●	●	●	22
RS35-1B23TQ-S44□□■	69.95	75	53	20	●	●	●	●	●	●	23
RS35-1B24TQ-S44□□■	72.97	78	53	20	●	●	●	●	●	●	24
RS35-1B25TQ-S44□□■	76.00	81	53	20	●	●	●	●	●	●	25
RS35-1B26TQ-S44□□■	79.02	84	53	22	●	●	●	●	●	●	26
RS35-1B27TQ-S44□□■	82.05	87	53	22	●	●	●	●	●	●	27
RS35-1B28TQ-S44□□■	85.07	90	53	22	●	●	●	●	●	●	28
RS35-1B30TQ-S44□□■	91.12	96	53	22	●	●	●	●	●	●	30
RS35-1B32TQ-S44□□■	97.18	102	53	22	●	●	●	●	●	●	32
RS35-1B34TQ-S44□□■	103.23	109	53	22	●	●	●	●	●	●	34
RS35-1B35TQ-S44□□■	106.26	112	53	22	●	●	●	●	●	●	35
RS35-1B36TQ-S44□□■	109.29	115	53	22	●	●	●	●	●	●	36
RS35-1B38TQ-S44□□■	115.34	121	63	25	●	●	●	●	●	●	38
RS35-1B40TQ-S44□□■	121.40	127	63	25	●	●	●	●	●	●	40

Input the bore diameter in the white □□ boxes after the model number, and configuration A or B in the black ■ box. ● circles indicate applicable bore diameters. Note: Models with asterisks * indicate that only configuration A is available.

■ RS35 Lock Sprocket (S Type) maximum allowable torque

(Unit: N·m)

Bore dia. No. of teeth	Bore dia.																
	10	11	12	14	15	16	17	18	19	29	22	24	25	28	30	32	35
15T																	
16T	58																
17T		63															
18T			69	81	86	92											
19T																	
20T							158	167	177	186	205	167	174	195			
21T																	
22T to 40T				121	130	138						223	232	260	279	298	325

Before Use

Standard Roller Chains

Lube-Free Roller Chains

Heavy Duty Roller Chains

Corrosion Resistant Roller Chains

Specialty Roller Chains

Sprockets

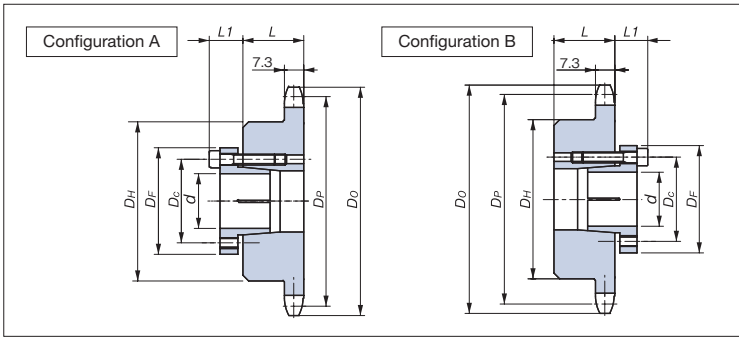
Pin Gear Drives

Accessories

Handling

RS40

Applicable chain pitch: 12.7mm Roller dia.: 7.92mm



S Type lock sleeve dimensions

Sleeve model	ϕD_f mm	ϕD_c mm	L_1 mm	Bolt size (M×S)	Tightening torque (N·m)
S1	32.0	24.0	12.0	M4×16	4.2
S2	42.0	32.0	14.0	M5×18	8.3
S3	48.5	38.5	15.5	M5×20	8.3
S4	56.0	46.0	15.5	M5×20	8.3
S5	66.0	56.0	17.5	M5×22	8.3
S6	80.0	68.0	21.0	M6×25	16.8
S7	101.0	86.0	24.5	M8×30	40.5

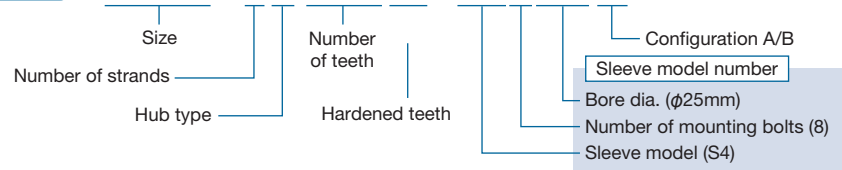
All models feature hardened teeth.

Model number	Pitch circle dia. D_p	(Outer dia.) (D_o)	Hub dia. D_H	Hub length L	Applicable bore dia. ϕd								No. of teeth	
					14	15	16	17	18	19	20	22		
RS40-1B14TQ-S16□□■	57.07	63	42	22	●									14
RS40-1B14TQ-S24□□■						●	●	●	●	●	●	●	●	
RS40-1B15TQ-S16□□■	61.08	67	46	22	●									15
RS40-1B15TQ-S24□□■						●	●	●	●	●	●	●	●	
RS40-1B16TQ-S16□□■	65.10	71	50	22	●									16
RS40-1B16TQ-S24□□■						●	●	●	●	●	●	●	●	
RS40-1B17TQ-S24□□■	69.12	76	54	22		●	●	●	●	●	●	●	●	17
RS40-1B18TQ-S24□□■	73.14	80	57	22		●	●	●	●	●	●	●	●	18
RS40-1B19TQ-S24□□■	77.16	84	62	22		●	●	●	●	●	●	●	●	19
RS40-1B20TQ-S25□□■	81.18	88	67	25		●	●	●	●	●	●	●	●	20
RS40-1B21TQ-S25□□■	85.21	92	71	25		●	●	●	●	●	●	●	●	21
RS40-1B22TQ-S25□□■	89.24	96	75	25		●	●	●	●	●	●	●	●	22
RS40-1B23TQ-S25□□■	93.27	100	77	25		●	●	●	●	●	●	●	●	23
RS40-1B24TQ-S25□□■	97.30	104	63	25		●	●	●	●	●	●	●	●	24
RS40-1B25TQ-S25□□■	101.33	108	63	25			●	●	●	●	●	●	●	25
RS40-1B26TQ-S25□□■	105.36	112	63	25				●	●	●	●	●	●	26
RS40-1B27TQ-S25□□■	109.40	116	63	25				●	●	●	●	●	●	27
RS40-1B28TQ-S25□□■	113.43	120	63	25				●	●	●	●	●	●	28
RS40-1B30TQ-S25□□■	121.50	128	63	25					●	●	●	●	●	30
RS40-1B32TQ-S25□□■	129.57	137	68	28						●	●	●	●	32

Input the bore diameter in the white □□ boxes after the model number, and configuration A or B in the black ■ box. ● circles indicate applicable bore diameters.

Model numbering example

RS40 - 1B 21T Q - S4825 ■



Sprockets Lock Sprocket S Type

RS40

All models feature hardened teeth.

Model number	Pitch circle dia. D_p	(Outer dia.) (D_o)	Hub dia. D_H	Hub length L	Applicable bore dia. ϕd										No. of teeth			
					24	25	28	30	32	35	38	40	42	45				
*RS40-1B15TQ-S33□□A	61.08	67	46	22	●	●	●											15
RS40-1B16TQ-S33□□■	65.10	71	50	22	●	●	●											16
RS40-1B17TQ-S44□□■	69.12	76	54	22	●	●	●	●	●	●								17
RS40-1B18TQ-S44□□■	73.14	80	57	22	●	●	●	●	●	●								18
RS40-1B19TQ-S44□□■	77.16	84	62	22	●	●	●	●	●	●								19
RS40-1B20TQ-S48□□■	81.18	88	67	25	●	●	●	●	●	●								20
RS40-1B20TQ-S56□□■														●	●	●	●	
RS40-1B21TQ-S48□□■	85.21	92	71	25	●	●	●	●	●	●								21
RS40-1B21TQ-S56□□■														●	●	●	●	
RS40-1B22TQ-S48□□■	89.24	96	75	25	●	●	●	●	●	●								22
RS40-1B22TQ-S56□□■														●	●	●	●	
RS40-1B23TQ-S48□□■	93.27	100	77	25	●	●	●	●	●	●								23
RS40-1B23TQ-S56□□■														●	●	●	●	
RS40-1B24TQ-S48□□■	97.30	104	63	25	●	●	●	●	●	●								24
RS40-1B24TQ-S56□□■														●	●	●	●	
RS40-1B25TQ-S48□□■	101.33	108	63	25	●	●	●	●	●	●								25
RS40-1B25TQ-S56□□■														●	●	●	●	
RS40-1B26TQ-S48□□■	105.36	112	63	25	●	●	●	●	●	●								26
RS40-1B26TQ-S56□□■														●	●	●	●	
RS40-1B27TQ-S48□□■	109.40	116	63	25	●	●	●	●	●	●								27
RS40-1B27TQ-S56□□■														●	●	●	●	
RS40-1B28TQ-S48□□■	113.43	120	63	25	●	●	●	●	●	●								28
RS40-1B28TQ-S56□□■														●	●	●	●	
RS40-1B30TQ-S48□□■	121.50	128	63	25	●	●	●	●	●	●								30
RS40-1B30TQ-S56□□■														●	●	●	●	
RS40-1B32TQ-S48□□■	129.57	137	68	28	●	●	●	●	●	●								32
RS40-1B32TQ-S56□□■														●	●	●	●	
RS40-1B34TQ-S48□□■	137.64	145	68	28	●	●	●	●	●	●								34
RS40-1B34TQ-S56□□■														●	●	●	●	
RS40-1B35TQ-S48□□■	141.68	149	68	28	●	●	●	●	●	●								35
RS40-1B35TQ-S56□□■														●	●	●	●	
RS40-1B36TQ-S48□□■	145.72	153	68	28	●	●	●	●	●	●								36
RS40-1B36TQ-S56□□■														●	●	●	●	
RS40-1B38TQ-S48□□■	153.79	161	68	28	●	●	●	●	●	●								38
RS40-1B38TQ-S56□□■														●	●	●	●	
RS40-1B40TQ-S48□□■	161.87	169	68	28	●	●	●	●	●	●								40
RS40-1B40TQ-S56□□■														●	●	●	●	

Input the bore diameter in the white □□ boxes after the model number, and configuration A or B in the black ■ box. ● circles indicate applicable bore diameters. Note: Models with asterisks * indicate that only configuration A is available.

RS40 Lock Sprocket (S Type) maximum allowable torque

(Unit: N·m)

Bore dia.	No. of teeth																	
	14	15	16	17	18	19	20	22	24	25	28	30	32	35	38	40	42	45
14T																		
15T	121																	
16T		139	149	158	167	177	186	205										
17T																		
18T									223	232	260	279	298	325				
19T																		
20T																		
21T																		
22T		174	186															
23T																		
24T				198	209	221	232	256										
25T									446	465	521	558	595	651	530	558	586	628
26T																		
27T																		
28T																		
30T																		
32T																		
34T to 40T																		

Sprockets Lock Sprocket S Type

RS50

Teeth hardened up to 35T.

Model number	Pitch circle dia. D_p	(Outer dia.) (D_o)	Hub dia. D_H	Hub length L	Applicable bore dia. ϕd										No. of teeth				
					32	35	38	40	42	45	48	50	55						
RS50-1B15TQ-S44 <input type="checkbox"/> <input type="checkbox"/> <input checked="" type="checkbox"/>	76.35	84	57	25	●	●													15
RS50-1B16TQ-S44 <input type="checkbox"/> <input type="checkbox"/> <input checked="" type="checkbox"/>	81.37	89	62	25	●	●													16
RS50-1B17TQ-S48 <input type="checkbox"/> <input type="checkbox"/> <input checked="" type="checkbox"/>	86.39	94	67	25	●	●													17
RS50-1B17TQ-S56 <input type="checkbox"/> <input type="checkbox"/> <input checked="" type="checkbox"/>							●	●	●	●									
RS50-1B18TQ-S48 <input type="checkbox"/> <input type="checkbox"/> <input checked="" type="checkbox"/>	91.42	100	72	28	●	●													18
RS50-1B18TQ-S56 <input type="checkbox"/> <input type="checkbox"/> <input checked="" type="checkbox"/>							●	●	●	●									
RS50-1B19TQ-S48 <input type="checkbox"/> <input type="checkbox"/> <input checked="" type="checkbox"/>	96.45	105	73	28	●	●													19
RS50-1B19TQ-S56 <input type="checkbox"/> <input type="checkbox"/> <input checked="" type="checkbox"/>							●	●	●	●									
RS50-1B20TQ-S48 <input type="checkbox"/> <input type="checkbox"/> <input checked="" type="checkbox"/>	101.48	110	73	28	●	●													20
RS50-1B20TQ-S56 <input type="checkbox"/> <input type="checkbox"/> <input checked="" type="checkbox"/>							●	●	●	●									
RS50-1B21TQ-S48 <input type="checkbox"/> <input type="checkbox"/> <input checked="" type="checkbox"/>	106.51	115	73	28	●	●													21
RS50-1B21TQ-S56 <input type="checkbox"/> <input type="checkbox"/> <input checked="" type="checkbox"/>							●	●	●	●									
RS50-1B22TQ-S48 <input type="checkbox"/> <input type="checkbox"/> <input checked="" type="checkbox"/>	111.55	120	73	28	●	●													22
RS50-1B22TQ-S56 <input type="checkbox"/> <input type="checkbox"/> <input checked="" type="checkbox"/>							●	●	●	●									
RS50-1B23TQ-S48 <input type="checkbox"/> <input type="checkbox"/> <input checked="" type="checkbox"/>	116.59	125	73	28	●	●													23
RS50-1B23TQ-S56 <input type="checkbox"/> <input type="checkbox"/> <input checked="" type="checkbox"/>							●	●	●	●									
RS50-1B24TQ-S48 <input type="checkbox"/> <input type="checkbox"/> <input checked="" type="checkbox"/>	121.62	130	73	28	●	●													24
RS50-1B24TQ-S56 <input type="checkbox"/> <input type="checkbox"/> <input checked="" type="checkbox"/>							●	●	●	●									
RS50-1B25TQ-S48 <input type="checkbox"/> <input type="checkbox"/> <input checked="" type="checkbox"/>	126.66	135	73	28	●	●													25
RS50-1B25TQ-S56 <input type="checkbox"/> <input type="checkbox"/> <input checked="" type="checkbox"/>							●	●	●	●									
RS50-1B26TQ-S48 <input type="checkbox"/> <input type="checkbox"/> <input checked="" type="checkbox"/>	131.70	140	73	28	●	●													26
RS50-1B26TQ-S56 <input type="checkbox"/> <input type="checkbox"/> <input checked="" type="checkbox"/>							●	●	●	●									
RS50-1B27TQ-S48 <input type="checkbox"/> <input type="checkbox"/> <input checked="" type="checkbox"/>	136.74	145	73	28	●	●													27
RS50-1B27TQ-S56 <input type="checkbox"/> <input type="checkbox"/> <input checked="" type="checkbox"/>							●	●	●	●									
RS50-1B28TQ-S48 <input type="checkbox"/> <input type="checkbox"/> <input checked="" type="checkbox"/>	141.79	150	73	28	●	●													28
RS50-1B28TQ-S56 <input type="checkbox"/> <input type="checkbox"/> <input checked="" type="checkbox"/>							●	●	●	●									
RS50-1B30TQ-S48 <input type="checkbox"/> <input type="checkbox"/> <input checked="" type="checkbox"/>	151.87	161	73	28	●	●													30
RS50-1B30TQ-S56 <input type="checkbox"/> <input type="checkbox"/> <input checked="" type="checkbox"/>							●	●	●	●									
RS50-1B32TQ-S48 <input type="checkbox"/> <input type="checkbox"/> <input checked="" type="checkbox"/>	161.96	171	73	28	●	●													32
RS50-1B32TQ-S56 <input type="checkbox"/> <input type="checkbox"/> <input checked="" type="checkbox"/>							●	●	●	●									
RS50-1B34TQ-S48 <input type="checkbox"/> <input type="checkbox"/> <input checked="" type="checkbox"/>	172.05	181	73	28	●	●													34
RS50-1B34TQ-S56 <input type="checkbox"/> <input type="checkbox"/> <input checked="" type="checkbox"/>							●	●	●	●									
RS50-1B35TQ-S48 <input type="checkbox"/> <input type="checkbox"/> <input checked="" type="checkbox"/>	177.10	186	73	28	●	●													35
RS50-1B35TQ-S56 <input type="checkbox"/> <input type="checkbox"/> <input checked="" type="checkbox"/>							●	●	●	●									
RS50-1B36T-S510 <input type="checkbox"/> <input type="checkbox"/> <input checked="" type="checkbox"/>	182.15	191	83	35															36
RS50-1B36T-S66 <input type="checkbox"/> <input type="checkbox"/> <input checked="" type="checkbox"/>							●	●	●	●									
RS50-1B38T-S510 <input type="checkbox"/> <input type="checkbox"/> <input checked="" type="checkbox"/>	192.24	201	83	35															38
RS50-1B38T-S66 <input type="checkbox"/> <input type="checkbox"/> <input checked="" type="checkbox"/>							●	●	●	●									
RS50-1B40T-S510 <input type="checkbox"/> <input type="checkbox"/> <input checked="" type="checkbox"/>	202.33	211	83	35															40
RS50-1B40T-S66 <input type="checkbox"/> <input type="checkbox"/> <input checked="" type="checkbox"/>							●	●	●	●									

Input the bore diameter in the white boxes after the model number, and configuration A or B in the black box. ● circles indicate applicable bore diameters.

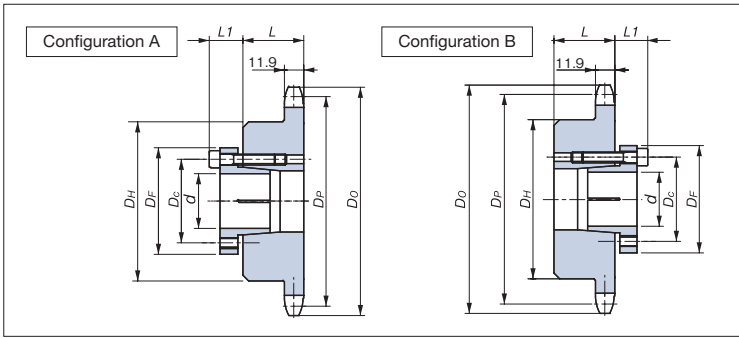
RS50 Lock Sprocket (S Type) maximum allowable torque

(Unit: N·m)

No. of teeth	Bore dia.																			
	15	16	17	18	19	20	22	24	25	28	30	32	35	38	40	42	45	48	50	55
14T																				
15T	174	186	237	251	265	279		223	232	260	279	298	325							
16T							307													
17T																				
18T																				
19T																				
20T																				
21T																				
22T								446												
23T																				
24T									465	521										
25T											558									
26T												595								
27T													651							
28T														530	558	586	628			
30T																				
32T																				
34T																				
35T																				
36T to 40T														883	930	976	1046	1116	1162	1279

RS60

Applicable chain pitch: 19.05mm Roller dia.: 11.91mm



S Type lock sleeve dimensions

Sleeve model	ϕD_f mm	ϕD_c mm	L_1 mm	Bolt size (M×S)	Tightening torque (N·m)
S1	32.0	24.0	12.0	M4×16	4.2
S2	42.0	32.0	14.0	M5×18	8.3
S3	48.5	38.5	15.5	M5×20	8.3
S4	56.0	46.0	15.5	M5×20	8.3
S5	66.0	56.0	17.5	M5×22	8.3
S6	80.0	68.0	21.0	M6×25	16.8
S7	101.0	86.0	24.5	M8×30	40.5

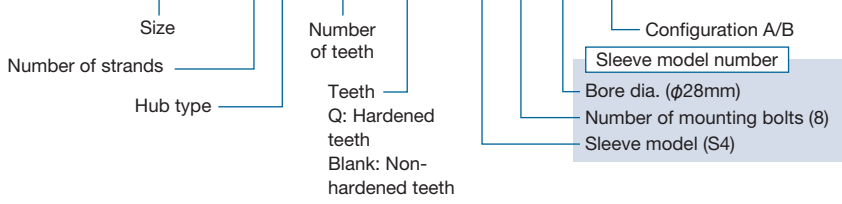
Teeth hardened up to 30T.

Model number	Pitch circle dia. D_p	(Outer dia.) (D_o)	Hub dia. D_H	Hub length L	Applicable bore dia. ϕd										No. of teeth	
					18	19	20	22	24	25	28	30	32	35		
RS60-1B12TQ-S26 <input type="checkbox"/> <input type="checkbox"/> <input type="checkbox"/>	73.60	83	51	32	●	●	●	●								12
RS60-1B13TQ-S26 <input type="checkbox"/> <input type="checkbox"/> <input type="checkbox"/>	79.60	89	57	32	●	●	●	●								13
RS60-1B13TQ-S46 <input type="checkbox"/> <input type="checkbox"/> <input type="checkbox"/>																
RS60-1B14TQ-S26 <input type="checkbox"/> <input type="checkbox"/> <input type="checkbox"/>	85.61	95	62	32	●	●	●	●								14
RS60-1B14TQ-S46 <input type="checkbox"/> <input type="checkbox"/> <input type="checkbox"/>																
RS60-1B15TQ-S48 <input type="checkbox"/> <input type="checkbox"/> <input type="checkbox"/>	91.63	101	68	32					●	●	●	●	●	●	●	15
RS60-1B16TQ-S48 <input type="checkbox"/> <input type="checkbox"/> <input type="checkbox"/>	97.65	107	73	32					●	●	●	●	●	●	●	16
RS60-1B17TQ-S48 <input type="checkbox"/> <input type="checkbox"/> <input type="checkbox"/>	103.67	113	73	32						●	●	●	●	●	●	17
RS60-1B18TQ-S48 <input type="checkbox"/> <input type="checkbox"/> <input type="checkbox"/>	109.70	119	83	40							●	●	●	●	●	18
RS60-1B19TQ-S48 <input type="checkbox"/> <input type="checkbox"/> <input type="checkbox"/>	115.74	126	83	40								●	●	●	●	19
RS60-1B20TQ-S48 <input type="checkbox"/> <input type="checkbox"/> <input type="checkbox"/>	121.78	132	83	40									●	●	●	20
RS60-1B21TQ-S48 <input type="checkbox"/> <input type="checkbox"/> <input type="checkbox"/>	127.82	138	83	40										●	●	21
RS60-1B22TQ-S48 <input type="checkbox"/> <input type="checkbox"/> <input type="checkbox"/>	133.86	144	83	40											●	22
RS60-1B23TQ-S48 <input type="checkbox"/> <input type="checkbox"/> <input type="checkbox"/>	139.90	150	83	40											●	23
RS60-1B24TQ-S48 <input type="checkbox"/> <input type="checkbox"/> <input type="checkbox"/>	145.95	156	83	40											●	24
RS60-1B25TQ-S48 <input type="checkbox"/> <input type="checkbox"/> <input type="checkbox"/>	151.99	162	83	40											●	25

Input the bore diameter in the white boxes after the model number, and configuration A or B in the black box. ● circles indicate applicable bore diameters.

Model numbering example

RS60 - 1B 16T Q - S4828



Sprockets Lock Sprocket S Type

RS60

Teeth hardened up to 30T.

Model number	Pitch circle dia. D_p	(Outer dia.) (D_o)	Hub dia. D_H	Hub length L	Applicable bore dia. ϕd							No. of teeth
					38	40	42	45	48	50	55	
RS60-1B15TQ-S56□□■	91.63	101	68	32	●	●	●	●				15
RS60-1B16TQ-S56□□■	97.65	107	73	32	●	●	●	●				16
RS60-1B17TQ-S56□□■	103.67	113	73	32	●	●	●	●				17
RS60-1B18TQ-S510□□■	109.70	119	83	40	●	●	●	●				18
RS60-1B18TQ-S66□□■									●	●	●	
RS60-1B19TQ-S510□□■	115.74	126	83	40	●	●	●	●				19
RS60-1B19TQ-S66□□■									●	●	●	
RS60-1B20TQ-S510□□■	121.78	132	83	40	●	●	●	●				20
RS60-1B20TQ-S66□□■									●	●	●	
RS60-1B21TQ-S510□□■	127.82	138	83	40	●	●	●	●				21
RS60-1B21TQ-S66□□■									●	●	●	
RS60-1B22TQ-S510□□■	133.86	144	83	40	●	●	●	●				22
RS60-1B22TQ-S66□□■									●	●	●	
RS60-1B23TQ-S510□□■	139.90	150	83	40	●	●	●	●				23
RS60-1B23TQ-S66□□■									●	●	●	
RS60-1B24TQ-S510□□■	145.95	156	83	40	●	●	●	●				24
RS60-1B24TQ-S66□□■									●	●	●	
RS60-1B25TQ-S510□□■	151.99	162	83	40	●	●	●	●				25
RS60-1B25TQ-S66□□■									●	●	●	
RS60-1B26TQ-S510□□■	158.04	168	83	40	●	●	●	●				26
RS60-1B26TQ-S66□□■									●	●	●	
RS60-1B27TQ-S510□□■	164.09	174	83	40	●	●	●	●				27
RS60-1B27TQ-S66□□■									●	●	●	
RS60-1B28TQ-S510□□■	170.14	180	83	40	●	●	●	●				28
RS60-1B28TQ-S66□□■									●	●	●	
RS60-1B30TQ-S510□□■	182.25	193	83	40	●	●	●	●				30
RS60-1B30TQ-S66□□■									●	●	●	
RS60-1B32T-S510□□■	194.35	205	83	40	●	●	●	●				32
RS60-1B32T-S66□□■									●	●	●	
RS60-1B34T-S510□□■	206.46	217	83	40		●	●	●				34
RS60-1B34T-S66□□■									●	●	●	
RS60-1B35T-S510□□■	212.52	223	83	40			●	●				35
RS60-1B35T-S66□□■									●	●	●	
RS60-1B36T-S510□□■	218.57	229	83	40			●	●				36
RS60-1B36T-S66□□■									●	●	●	
RS60-1B38T-S510□□■	230.69	241	83	40			●	●				38
RS60-1B38T-S66□□■									●	●	●	
RS60-1B40T-S66□□■	242.80	253	83	40				●	●	●	●	40

Input the bore diameter in the white □□ boxes after the model number, and configuration A or B in the black ■ box. ● circles indicate applicable bore diameters.

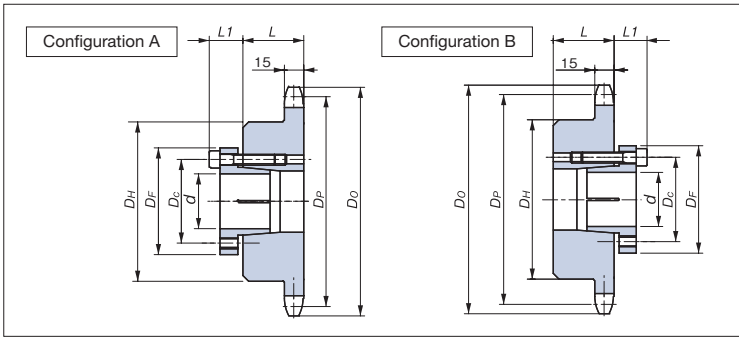
■ RS60 Lock Sprocket (S Type) maximum allowable torque

(Unit: N·m)

Bore dia. No. of teeth	18	19	20	22	24	25	28	30	32	35	38	40	42	45	48	50	55
	12T																
13T	251	265	279	307													
14T					335	349	391	418	446	488							
15T																	
16T					446	465	521	558	595	651	530	558	586	628			
17T																	
18T																	
19T																	
20T																	
21T																	
22T																	
23T																	
24T											883						
25T												930	976				
26T														1046			
27T															1116	1162	1279
28T																	
30T																	
32T																	
34T																	
35T																	
36T																	
38T																	
40T																	

RS80

Applicable chain pitch: 25.4mm Roller dia.: 15.88mm



S Type lock sleeve dimensions

Sleeve model	ϕD_f mm	ϕD_c mm	L_1 mm	Bolt size (M×S)	Tightening torque (N·m)
S1	32.0	24.0	12.0	M4×16	4.2
S2	42.0	32.0	14.0	M5×18	8.3
S3	48.5	38.5	15.5	M5×20	8.3
S4	56.0	46.0	15.5	M5×20	8.3
S5	66.0	56.0	17.5	M5×22	8.3
S6	80.0	68.0	21.0	M6×25	16.8
S7	101.0	86.0	24.5	M8×30	40.5

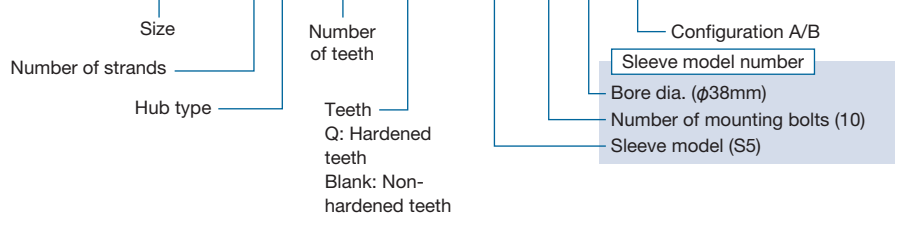
Teeth hardened up to 21T.

Model number	Pitch circle dia. D_p	(Outer dia.) (D_o)	Hub dia. D_H	Hub length L	Applicable bore dia. ϕd											No. of teeth	
					24	25	28	30	32	35	38	40	42	45			
RS80-1B12TQ-S48 <input type="checkbox"/> <input type="checkbox"/> <input checked="" type="checkbox"/>	98.14	110	67	40	●	●	●	●	●	●							12
RS80-1B13TQ-S48 <input type="checkbox"/> <input type="checkbox"/> <input checked="" type="checkbox"/>	106.14	118	77	40	●	●	●	●	●	●							13
RS80-1B13TQ-S510 <input type="checkbox"/> <input type="checkbox"/> <input checked="" type="checkbox"/>															●	●	
RS80-1B14TQ-S48 <input type="checkbox"/> <input type="checkbox"/> <input checked="" type="checkbox"/>	114.15	127	77	40	●	●	●	●	●	●							14
RS80-1B14TQ-S510 <input type="checkbox"/> <input type="checkbox"/> <input checked="" type="checkbox"/>															●	●	
RS80-1B15TQ-S510 <input type="checkbox"/> <input type="checkbox"/> <input checked="" type="checkbox"/>	122.17	135	93	40						●	●	●	●	●	●		15
RS80-1B16TQ-S510 <input type="checkbox"/> <input type="checkbox"/> <input checked="" type="checkbox"/>	130.20	143	93	40						●	●	●	●	●	●		16
RS80-1B17TQ-S510 <input type="checkbox"/> <input type="checkbox"/> <input checked="" type="checkbox"/>	138.23	151	93	40						●	●	●	●	●	●		17
RS80-1B18TQ-S510 <input type="checkbox"/> <input type="checkbox"/> <input checked="" type="checkbox"/>	146.27	159	93	40						●	●	●	●	●	●		18
RS80-1B19TQ-S510 <input type="checkbox"/> <input type="checkbox"/> <input checked="" type="checkbox"/>	154.32	167	93	40						●	●	●	●	●	●		19
RS80-1B20TQ-S510 <input type="checkbox"/> <input type="checkbox"/> <input checked="" type="checkbox"/>	162.37	176	93	40						●	●	●	●	●	●		20
RS80-1B21TQ-S510 <input type="checkbox"/> <input type="checkbox"/> <input checked="" type="checkbox"/>	170.42	184	93	40						●	●	●	●	●	●		21

Input the bore diameter in the white boxes after the model number, and configuration A or B in the black box. ● circles indicate applicable bore diameters.

Model numbering example

RS80 - 1B 18T Q - S51038



Sprockets Lock Sprocket S Type

RS80

Teeth hardened up to 21T.

Model number	Pitch circle dia. D_p	(Outer dia.) (D_o)	Hub dia. D_H	Hub length L	Applicable bore dia. ϕd						No. of teeth
					48	50	55	60	65	70	
RS80-1B15QT-S66□□■	122.17	135	93	40	●	●	●				15
RS80-1B16QT-S66□□■	130.20	143	93	40	●	●	●				16
RS80-1B17QT-S66□□■	138.23	151	93	40	●	●	●				17
RS80-1B18QT-S66□□■	146.27	159	93	40	●	●	●				18
RS80-1B19QT-S66□□■	154.32	167	93	40	●	●	●				19
RS80-1B20QT-S68□□■	162.37	176	93	40	●	●	●				20
RS80-1B21QT-S68□□■	170.42	184	93	40	●	●	●				21
RS80-1B22T-S612□□■	178.48	192	107	45	●	●	●				22
RS80-1B22T-S75□□■								●	●	●	
RS80-1B23T-S612□□■	186.54	200	107	45	●	●	●				23
RS80-1B23T-S75□□■								●	●	●	
RS80-1B24T-S612□□■	194.60	208	107	45	●	●	●				24
RS80-1B24T-S75□□■								●	●	●	
RS80-1B25T-S612□□■	202.66	216	107	45	●	●	●				25
RS80-1B25T-S75□□■								●	●	●	
RS80-1B26T-S612□□■	210.72	224	107	45	●	●	●				26
RS80-1B26T-S75□□■								●	●	●	
RS80-1B27T-S612□□■	218.79	233	107	45	●	●	●				27
RS80-1B27T-S75□□■								●	●	●	
RS80-1B28T-S612□□■	226.86	241	107	45	●	●	●				28
RS80-1B28T-S75□□■								●	●	●	
RS80-1B30T-S612□□■	243.00	257	107	45	●	●	●				30
RS80-1B30T-S75□□■								●	●	●	
RS80-1B32T-S612□□■	259.14	273	107	45	●	●	●				32
RS80-1B32T-S75□□■								●	●	●	
RS80-1B34T-S612□□■	275.28	289	107	45	●	●	●				34
RS80-1B34T-S75□□■								●	●	●	
RS80-1B35T-S612□□■	283.36	297	107	45	●	●	●				35
RS80-1B35T-S75□□■								●	●	●	

Input the bore diameter in the white □ boxes after the model number, and configuration A or B in the black ■ box. ● circles indicate applicable bore diameters.

■ RS80 Lock Sprocket (S Type) maximum allowable torque

(Unit: N·m)

Bore dia. / No. of teeth	24	25	28	30	32	35	38	40	42	45	48	50	55	60	65	70
12T																
13T	446	465	521	558	595	651										
14T																
15T																
16T																
17T							883	930	976	1046	1116	1162	1279			
18T						814										
19T																
20T											1275	1329	1461			
21T																
22T to 35T											2232	2325	2557	2140	2319	2497

Before Use

Standard Roller Chains

Lube-Free Roller Chains

Heavy Duty Roller Chains

Corrosion Resistant Roller Chains

Specialty Roller Chains

Sprockets

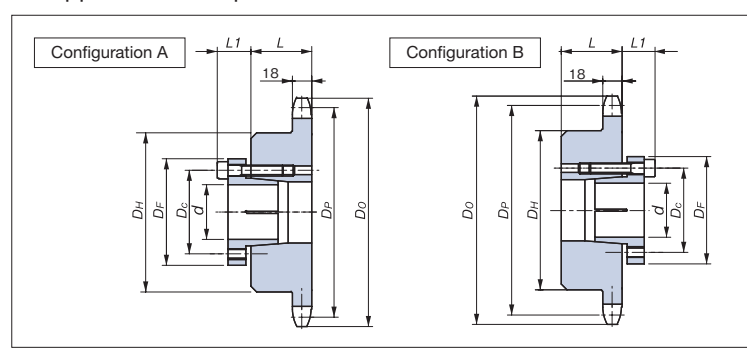
Pin Gear Drives

Accessories

Handling

RS100

Applicable chain pitch: 31.75mm Roller dia.: 19.05mm



S Type lock sleeve dimensions

Sleeve model	ϕD_f mm	ϕD_c mm	L_1 mm	Bolt size (M×S)	Tightening torque (N·m)
S1	32.0	24.0	12.0	M4×16	4.2
S2	42.0	32.0	14.0	M5×18	8.3
S3	48.5	38.5	15.5	M5×20	8.3
S4	56.0	46.0	15.5	M5×20	8.3
S5	66.0	56.0	17.5	M5×22	8.3
S6	80.0	68.0	21.0	M6×25	16.8
S7	101.0	86.0	24.5	M8×30	40.5

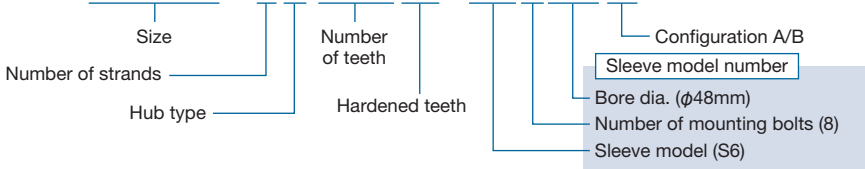
All models feature hardened teeth.

Model number	Pitch circle dia. D_p	(Outer dia.) (D_o)	Hub dia. D_H	Hub length L	Applicable bore dia. ϕd						No. of teeth
					48	50	55	60	65	70	
RS100-1B13TQ-S68 <input type="checkbox"/> <input type="checkbox"/> <input checked="" type="checkbox"/>	132.67	148	88	50	●	●	●				13
RS100-1B14TQ-S68 <input type="checkbox"/> <input type="checkbox"/> <input checked="" type="checkbox"/>	142.68	158	88	50	●	●	●				14
RS100-1B15TQ-S68 <input type="checkbox"/> <input type="checkbox"/> <input checked="" type="checkbox"/>	152.71	168	98	50	●	●	●				15
RS100-1B16TQ-S68 <input type="checkbox"/> <input type="checkbox"/> <input checked="" type="checkbox"/>	162.75	179	98	50	●	●	●				16
RS100-1B17TQ-S612 <input type="checkbox"/> <input type="checkbox"/> <input checked="" type="checkbox"/>	172.79	189	107	50	●	●	●				17
RS100-1B17TQ-S75 <input type="checkbox"/> <input type="checkbox"/> <input checked="" type="checkbox"/>	172.79	189	107	50				●	●	●	17
RS100-1B18TQ-S612 <input type="checkbox"/> <input type="checkbox"/> <input checked="" type="checkbox"/>	182.84	199	107	50	●	●	●				18
RS100-1B18TQ-S75 <input type="checkbox"/> <input type="checkbox"/> <input checked="" type="checkbox"/>	182.84	199	107	50				●	●	●	18
RS100-1B19TQ-S612 <input type="checkbox"/> <input type="checkbox"/> <input checked="" type="checkbox"/>	192.90	209	107	50	●	●	●				19
RS100-1B19TQ-S75 <input type="checkbox"/> <input type="checkbox"/> <input checked="" type="checkbox"/>	192.90	209	107	50				●	●	●	19
RS100-1B20TQ-S612 <input type="checkbox"/> <input type="checkbox"/> <input checked="" type="checkbox"/>	202.96	220	107	50	●	●	●				20
RS100-1B20TQ-S75 <input type="checkbox"/> <input type="checkbox"/> <input checked="" type="checkbox"/>	202.96	220	107	50				●	●	●	20
RS100-1B21TQ-S612 <input type="checkbox"/> <input type="checkbox"/> <input checked="" type="checkbox"/>	213.03	230	107	50	●	●	●				21
RS100-1B21TQ-S75 <input type="checkbox"/> <input type="checkbox"/> <input checked="" type="checkbox"/>	213.03	230	107	50				●	●	●	21

Input the bore diameter in the white boxes after the model number, and configuration A or B in the black box. ● circles indicate applicable bore diameters.

Model numbering example

RS100 - 1B 16TQ - S6848 ■



RS100 Lock Sprocket (S Type) maximum allowable torque (Unit: N·m)

Bore dia.	48	50	55	60	65	70
No. of teeth						
13T						
14T	1488	1550	1705			
15T						
16T						
17T	2232	2325	2257	2140	2319	2497
18T						
19T						
20T						
21T						

Sprockets Lock Sprocket (with keyless locking device) N Type

Lock Sprockets are sprockets with integrated keyless friction type integrated couplings.

Available models: RS35 to RS60 1B type RS sprockets Note: All models are made-to-order.

Features



1. Greatly increases work efficiency

Unlike conventional products that require a number of tightening bolts, this type can be simply tightened with a nut and coupled to a shaft with ease. Furthermore, it can be easily dismantled for fine adjustment and mounted again.

2. Suitable for small shaft diameters

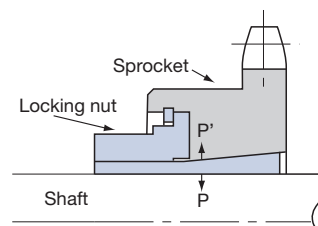
Tsubaki offers standard models with diameters ranging from 7 to 28mm to match a wide variety of customer needs.

3. Compact design

Features a compact design with strength calculations that take the maximum allowable load of the chain in mind while eliminating any waste.

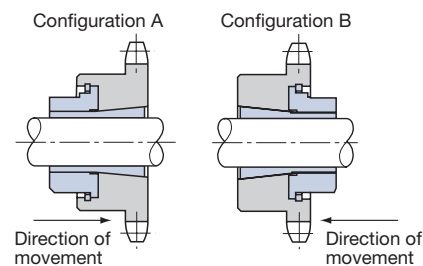
Tightening Principle

The inner diameter of the sprocket and the outer diameter of the lock sleeve are tapered. When the mounting bolts are tightened, the sprocket will slide and move up on the tapered surface. A wedge action will generate force P and force P' in the radial direction to press on the shaft and tapered inner side, and frictional force will tightly secure the sprocket and shaft.



Direction of Sprocket Movement when Tightening Nut

When mounting an N Type Lock Sprocket, the sprocket will move 0.2mm to 2.0mm in the direction of the shaft between the time the sprocket is initially secured and the time the sprocket is tightened. Therefore, take this movement into consideration when centering the sprocket. The amount of sprocket movement varies with type. (See the illustration on the right.)

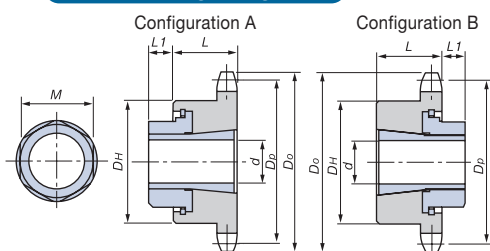


General Precautions

See the General Precautions for S Type on page 137.

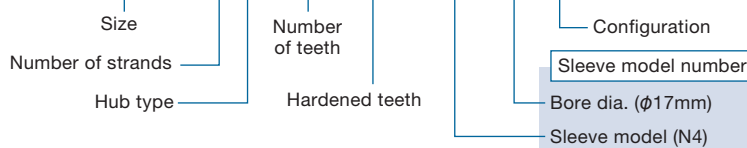
Ordering N Type Lock Sprockets

Sleeve mounting configuration



Model numbering example

RS40 - 1B 21T Q - N417 A



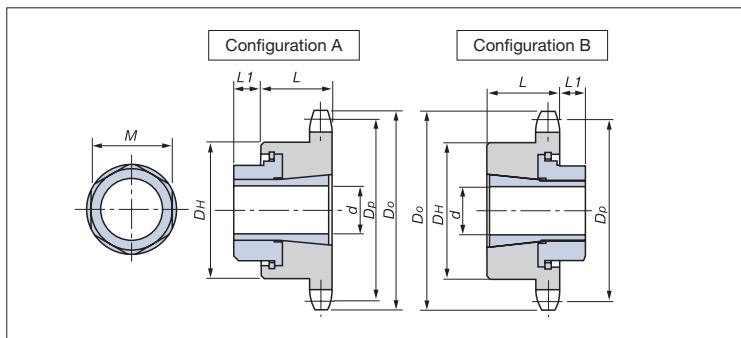
RS35 Applicable chain pitch: 9.525mm Roller dia.: 5.08mm

All models feature hardened teeth.

No. of teeth	Basic dimensions		Hub		Bore dia. d Max. allowable transmission torque (N·m)	7	8	9	10	11	12	14	15	16	17	18	19
	Pitch circle dia. Dp	Outer dia. D0	Dia. D1	Length L		23	26	29	42	46	50	104	111	119	161	171	180
12	36.80	41	31	20		※	※	※									
13	39.80	44	32	20													
14	42.80	47	30	20													
15	45.81	51	35	20													
16	48.82	54	37	20													
17	51.84	57	41	20													
18	54.85	60	44	20													
19	57.87	63	47	20													
20	60.89	66	50	20													
21	63.91	69	53	20													
22	66.93	72	53	20													
23	69.95	75	53	20													
24	72.97	78	53	22													
25	76.00	81	53	22													
26	79.02	84	53	22													
27	82.05	87	53	22													
28	85.07	90	53	22													
30	91.12	96	53	22													
32	97.18	102	53	22													
34	103.23	109	53	22													
35	106.26	112	53	22													
36	109.29	115	53	22													
38	115.34	121	63	25													
40	121.40	127	63	25													

Models with 12T and asterisks ※ indicate that only configuration A is available.

Understanding the table **Example** RS35 chain with 15 teeth and bore diameter of 11 mm: Use an N211 sleeve. "XX" in the table refers to bore diameter. Maximum transmission torque will be 46N·m.



N Type lock sleeve dimensions

Sleeve model	Sleeve protrusion L1	Nut width across flats M	Nut tightening torque (N·m)
N1	5	18	18
N2	6	22	28
N3	8	30	65
N4	10	36	100
N5	11	41	130
N6	11	46	200

RS40 Applicable chain pitch: 12.7mm Roller dia.: 7.92mm

All models feature hardened teeth.

No. of teeth	Basic dimensions		Hub		Bore dia. d Max. allowable transmission torque (N·m)	10	11	12	14	15	16	17	18	19	20	22	24		
	Pitch circle dia. D_p	Outer dia. D_o	Dia. D_H	Length L		42	46	50	104	111	119	161	171	180	214	236	257		
11	45.08	51	37	22	Suitable sleeve model and dimensions	※	※	※											
12	49.07	55	40	22		※	※	※											
13	53.07	59	37	22		N2XX													
14	57.07	63	42	22															
15	61.08	67	46	22															
16	65.10	71	50	22															
17	69.12	76	54	22															
18	73.14	80	57	22															
19	77.16	84	62	22															
20	81.18	88	67	25															
21	85.21	92	71	25															
22	89.24	96	75	25															
23	93.27	100	77	25															
24	97.30	104	63	25															
25	101.33	108	63	25															
26	105.36	112	63	25															
27	109.40	116	63	25															
28	113.43	120	63	25															
30	121.50	128	63	25															
32	129.57	137	68	28															
34	137.64	145	68	28															
35	141.68	149	68	28															
36	145.72	153	68	28															
38	153.79	161	68	28															
40	161.87	169	68	28															

Models with 11T and 12T and asterisks ※ indicate that only configuration A is available.

RS50 Applicable chain pitch: 15.875mm Roller dia.: 10.16mm

All models feature hardened teeth.

No. of teeth	Basic dimensions		Hub		Bore dia. d Max. allowable transmission torque (N·m)	14	15	16	17	18	19	20	22	24
	Pitch circle dia. D_p	Outer dia. D_o	Dia. D_H	Length L		42	46	50	104	111	119	161	171	257
11	56.35	64	46	25	Suitable sleeve model and dimensions	※	※	※						
12	61.34	69	51	25		※	※	※						
13	66.33	74	51	25		N3XX								
14	71.34	79	52	25										
15	76.35	84	57	25										
16	81.37	89	62	25										
17	86.39	94	67	25										
18	91.42	100	72	28										
19	96.45	105	73	28										
20	101.48	110	73	28										
21	106.51	115	73	28										
22	111.55	120	73	28										
23	116.59	125	73	28										
24	121.62	130	73	28										
25	126.66	135	73	28										

Models with 11T, 12T, and 13T and asterisks ※ indicate that only configuration A is available.

RS60 Applicable chain pitch: 19.05mm Roller dia.: 11.91mm

All models feature hardened teeth.

No. of teeth	Basic dimensions		Hub		Bore dia. d Max. allowable transmission torque (N·m)	14	15	16	17	18	19	20	22	24	25	26	28
	Pitch circle dia. D_p	Outer dia. D_o	Dia. D_H	Length L		105	111	119	161	171	180	214	236	257	370	385	415
9	55.70	64	43	32	Suitable sleeve model and dimensions	※	※	※									
10	61.65	70	49	32		※	※	※									
11	67.62	76	51	32		N3XX											
12	73.60	83	51	32													
13	79.60	89	57	32													
14	85.61	95	62	32													
15	91.63	101	68	32													
16	97.65	107	73	32													
17	103.67	113	73	32													
18	109.70	119	83	40													
19	115.74	126	83	40													
20	121.78	132	83	40													
21	127.82	138	83	40													
22	133.86	144	83	40													
23	139.90	150	83	40													
24	145.95	156	83	40													
25	151.99	162	83	40													

Models with 9T, 10T, and 11T and asterisks ※ indicate that only configuration A is available.

Sprockets Torque Limiter Sprockets



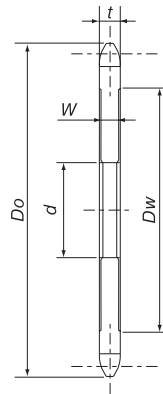
Torque limiters are typical mechanical devices for overload protection, and as such it is essential that the friction surface of the center member be finished properly to ensure the precise, accurate overload detection of the torque limiter. Dedicated sprockets for torque limiters are provided with special surface processing to realize the ideal surface finish.

Model numbering example

RS40 - 1A 20T - CM 30

Size: RS40
 Number of strands: 1
 Number of teeth: 20
 Hub type: CM
 Finished bore dia. d : 30
 Torque limiter sprocket

Size	RS40	RS50	RS60	RS80	RS100
W	6.5	8.0	10.5	13.5	16.0
t	7.3	8.9	11.9	15.0	18.0



Made-to-order

- Operating conditions: Sprocket width > Torque limiter bush width (The sprocket width must be larger than the bush width.)
- All other dimensions are the same as those for standard 1A Type sprockets.
- Refer to the following table for the d and Dw ranges.
- Uses an H7 finished bore diameter (d).

Note: Be sure to check with the torque limiter manufacturer's catalog for the dimensions of each part. Specify the model number of the torque limiter when placing your order.

Torque limiter compatibility table (Ref.)

Applicable sprocket range $d \times Dw$

Number of teeth	16	17	18	19	20	21	22	23	24	25	26	27	28	30	32	34	35	36	38	40	42	45	48	50			
RS40	TL200	30 × 53																									
	TL250					41 × 68																					
	TL350														49 × 92												
RS50	TL250	41 × 68																									
	TL350													49 × 92													
	TL500													74 × 132													
RS60	TL350													49 × 92													
	TL500													74 × 132													
	TL700																	105 × 184									
RS80	TL500													74 × 132													
	TL700													105 × 184													
RS100	TL700													105 × 184													

Sprockets compatible with torque limiters from every major manufacturer are available. We also offer made-to-order sprockets. Contact a Tsubaki representative for more information.

Note: Check the bush width if TL250 or TL350 are used with RS40 sprockets.

Before Use

Standard Roller Chains

Lube-Free Roller Chains

Heavy Duty Roller Chains

Corrosion Resistant Roller Chains

Specialty Roller Chains

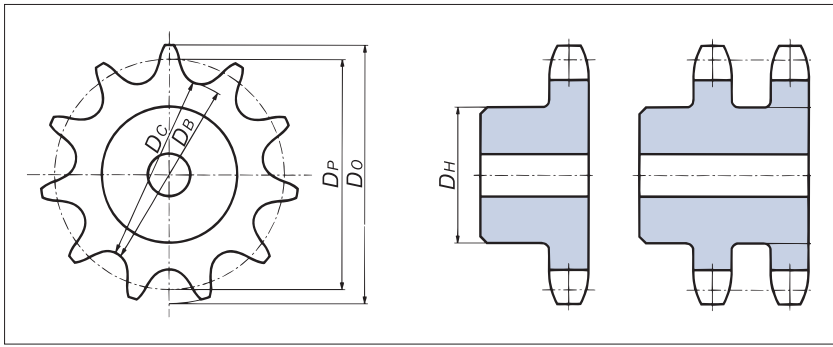
Sprockets

Pin Gear Drives

Accessories

Handling

1. Part Names and Standard Dimensional Formulae



D_P = Pitch circle diameter
 D_O = Standard outer diameter
 D_B = Tooth root diameter
 D_C = Tooth root distance
 D_H = Max. hub diameter and max. groove diameter
 P = Chain pitch
 d_i = Roller outer diameter
 N = Number of teeth

$$D_P = P / \sin \frac{180^\circ}{N}$$

$$D_O = P \left(0.6 + \cot \frac{180^\circ}{N} \right)$$

$$D_B = D_P - d_i$$

$$D_C = D_B \quad \text{[When number of teeth is even]}$$

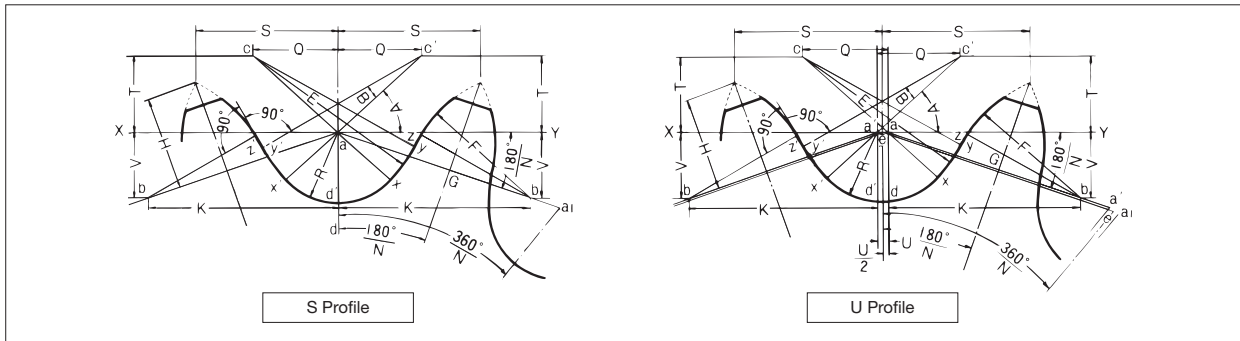
$$D_C = D_P \cos \frac{90^\circ}{N} - d_i \quad \text{[When number of teeth is odd]}$$

$$D_H = P \left(\cot \frac{180^\circ}{N} - 1 \right) - 0.76$$

2. Tooth Profile Specifications

2-1 Tooth profile

Tsubaki sprocket teeth profiles use S profiles from JIS standards, and are machine hobbled. We currently are partially combining these with JIS standard U profiles.



$$p_a = p \left(1 + \frac{D_S - d_i}{D_P} \right)$$

$$D_s = 2R = 1.005d_i + 0.076$$

$$U = 0.07(p - d_i) + 0.051$$

$$R = D_s / 2 = 0.5025d_i + 0.038$$

$$A = 35^\circ + 60^\circ / N$$

$$B = 18^\circ - 56^\circ / N$$

$$ac = 0.8d_i$$

$$Q = 0.8d_i \cos(35^\circ + 60^\circ / N)$$

$$T = 0.8d_i \sin(35^\circ + 60^\circ / N)$$

$$E = cy = 1.3025d_i + 0.038$$

$$\overline{xy} = (2.605d_i + 0.076) \sin(9^\circ - 28^\circ / N)$$

$$yz = d_i [1.4 \sin(17^\circ - 64^\circ / N) - 0.8 \sin(18^\circ - 56^\circ / N)]$$

$$G = ab = 1.4d_i \text{ [Point b forms a line from point a on the XY line to the } 180^\circ / N \text{ angle on the XY line.]}$$

$$K = 1.4d_i \cos 180^\circ / N$$

$$V = 1.4d_i \sin 180^\circ / N$$

$$F = d_i [0.8 \cos(18^\circ - 56^\circ / N) + 1.4 \cos(17^\circ - 64^\circ / N) - 1.3025] - 0.038$$

$$H = \sqrt{F^2 - \left(1.4d_i - \frac{pa}{2} + \frac{U}{2} \cos 180^\circ / N \right)^2 + \frac{U}{2} \sin 180^\circ / N}$$

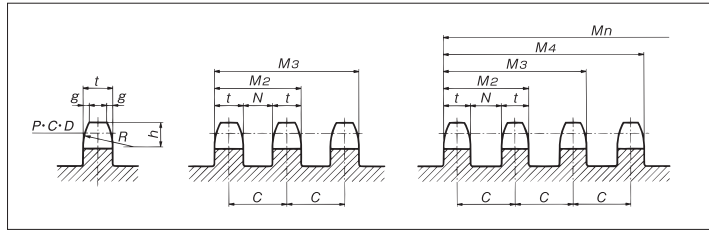
(Assuming that $U = 0$ for the S profile)

$$S = \frac{pa}{2} \cos 180^\circ / N + H \sin 180^\circ / N$$

Outer diameter when teeth profiles taper = $p_a \cot 180^\circ / N + 2H$
 Max. pressure angle = $x_a b = 35^\circ - 120^\circ / N$
 Min. pressure angle = $x_a b - B = 17^\circ - 64^\circ / N$
 Ave. pressure angle = $26^\circ - 92^\circ / N$

N = Number of teeth, d_i = Roller outer dia., D_P = Pitch circle diameter, p = Chain pitch, p_a = Tooth profile pitch (a - a_1 for S profiles, e - e_1 for U profiles)

2-2 Tooth width dimensions



Size	Each strand			t (Max.)			C 2 or more strands	2/3 strands			4 or more strands					
	g (ref.)	h	R (min.)	1 strand	2/3 strands	4 or more strands		M2	M3	N	M2	M3	M4	M5	M6	N
RS11	0.5	1.9	4.0	1.6	—	—	—	—	—	—	—	—	—	—	—	—
RS15	0.6	2.4	5.1	2.0	—	—	—	—	—	—	—	—	—	—	—	—
RS25	0.8	3.2	6.8	2.9	2.8	2.8	6.4	9.2	15.6	3.6	9.2	15.6	22.0	28.4	34.8	3.6
RS35	1.2	4.8	10.1	4.4	4.3	4.2	10.1	14.4	24.5	5.8	14.3	24.4	34.5	44.6	54.7	5.9
RS41	1.6	6.4	13.5	5.8	—	—	—	—	—	—	—	—	—	—	—	—
RS40	1.6	6.4	13.5	7.3	7.1	7.0	14.4	21.5	35.9	7.3	21.4	35.8	50.2	64.6	79.0	7.4
RS50	2.0	7.9	16.9	8.9	8.7	8.6	18.1	26.8	44.9	9.4	26.7	44.8	62.9	81.0	99.1	9.5
RS60	2.4	9.5	20.3	11.9	11.7	11.4	22.8	34.5	57.3	11.1	34.2	57.0	79.8	102.6	125.4	11.4
RS80	3.2	12.7	27.0	15.0	14.6	14.3	29.3	43.9	73.2	14.7	43.6	72.9	102.2	131.5	160.8	15.0
RS100	4.0	15.9	33.8	18.0	17.6	17.2	35.8	53.4	89.2	18.2	53.0	88.8	124.6	160.4	196.2	18.6
RS120	4.7	19.0	40.5	24.0	23.5	23.0	45.4	68.9	114.3	21.9	68.4	113.8	159.2	204.6	250.0	22.4
RS140	5.5	22.2	47.3	24.0	23.5	23.0	48.9	72.4	121.3	25.4	71.9	120.8	169.7	218.6	267.5	25.9
RS160	6.3	25.4	54.0	30.0	29.3	28.7	58.5	87.8	146.3	29.2	87.2	145.7	204.2	262.7	321.2	29.8
RS180	7.1	28.6	60.8	33.7	33.0	32.3	65.8	98.8	164.6	32.8	98.1	163.9	229.7	295.5	361.3	33.5
RS200	8.0	31.8	67.5	36.0	35.2	34.4	71.6	106.8	178.4	36.4	106.0	177.6	249.2	320.8	392.4	37.2
RS240	9.5	38.1	81.0	45.0	44.0	43.1	87.8	131.8	219.6	43.8	130.9	218.7	306.5	394.3	482.1	44.7

Maximum sprocket hub diameter and standard maximum bore diameter

Size	RS25	RS35	RS40-41	RS50	RS60	RS80	RS100	RS120	RS140	RS160	RS180	RS200	RS240													
Chain pitch	6.35	9.525	12.70	15.875	19.05	25.40	31.75	38.10	44.45	50.80	57.15	63.50	76.20													
No. of teeth	Hub dia.	Max. bore dia.	Hub dia.	Max. bore dia.	Hub dia.	Max. bore dia.	Hub dia.	Max. bore dia.	Hub dia.	Max. bore dia.	Hub dia.	Max. bore dia.	Hub dia.	Max. bore dia.	Hub dia.	Max. bore dia.	Hub dia.	Max. bore dia.	Hub dia.	Max. bore dia.	Hub dia.	Max. bore dia.	Hub dia.	Max. bore dia.		
10	13	3.2	19	8.8	26	14	32	18	39	22	52	32	65	42	78	50	92	60	105	70	118	78	131	88	158	108
11	15	5.6	22	11	30	18	37	22	45	27	60	38	76	50	91	60	106	71	121	80	137	92	152	103	183	126
12	17	7.2	25	13	34	20	43	26	51	31	69	45	86	57	103	69	121	80	138	93	155	106	173	118	207	144
13	19	8.8	28	15	38	22	48	30	57	36	77	51	96	64	116	79	135	91	155	105	174	119	193	132	232	162
14	21	10	31	17	42	26	53	33	64	41	85	57	107	72	128	85	150	101	171	117	192	132	214	148	257	180
15	23	12	35	20	46	28	58	37	70	46	93	61	117	80	140	95	164	111	187	129	211	146	235	163	282	199
16	25	13	38	21	50	31	63	41	76	51	102	68	127	85	153	104	178	122	204	141	229	159	255	179	306	216
17	27	14	41	24	54	34	68	45	82	53	110	74	137	93	165	112	193	132	220	152	248	173	275	193	331	232
18	29	16	44	26	59	37	73	49	88	59	118	80	148	100	177	121	207	144	237	165	266	186	296	208	355	252
19	31	17	47	29	63	41	79	51	94	62	126	84	158	108	189	129	221	153	253	177	284	199	316	224	380	268
20	33	19	50	30	67	44	84	55	100	66	134	90	168	114	202	140	235	163	269	188	303	213	337	238	404	283
21	35	20	53	33	71	47	89	59	107	72	142	95	178	122	214	148	250	175	285	200	321	226	357	254	429	303
22	37	21	56	35	75	50	94	62	113	77	150	101	188	128	226	157	264	185	302	212	339	239	377	266	453	318
23	39	22	59	37	79	51	99	65	119	80	159	109	199	137	238	165	278	196	318	224	358	254	398	278	477	338
24	41	24	62	40	83	54	104	70	125	83	167	113	209	144	251	176	292	205	334	235	376	265	418	294	502	354
25	43	25	65	42	87	57	109	73	131	88	175	120	219	152	263	184	307	217	351	249	394	275	438	310	526	372

Note: When selecting max. bore diameter, select a hub wall thickness that matches the operating conditions based on standard machine design. Standard-type max. bore diameters for standard situations (SS400 sprocket, JIS keyway) are shown for your reference. The values have been calculated using JIS hub diameter formulae.

Pin Gear Drives Chain-type Pin Gears

For linear drive and large radius rotary drives, a chain gear drive is used by a drive source (motor, etc.) through a reducer. Chains require a large space, and gears need precision machining, which can lead to high costs and other issues. Pin gears are perfect in these situations.

An attachment chain is wound around the outside of a drum in place of a gear drive wheel, and a specially machined sprocket is used for the pinion gear. For linear drives, the attachment chain is attached linearly and used in place of a rack.

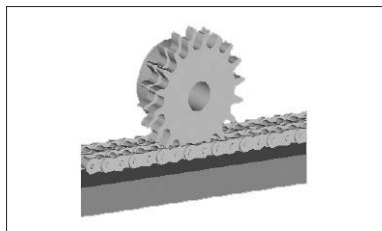
The following is a rough comparison of pin gears and gear racks.

	Freedom of layout	Precision	Cost	Durability
Pin gears	Excellent	OK	Good	Good
Gear racks	Poor	Good	OK	OK

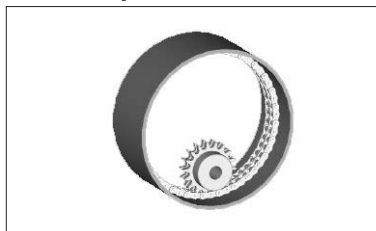
◆ Pin gear drive types

There are linear, inner rotary, and outer rotary pin gear drives.

Linear



Inner rotary



Outer rotary



Pin Gear Drives Sprockets for Chain-type Pin Gears

Unlike sprockets where the chain wraps around them, sprockets for pin gears engage the chain, which requires them to have special teeth profiles. Using a unique principle, Tsubaki's special tooth profiles are designed for the lowest possible backlash and enable smooth engagement. Especially, the tooth profile changes to match the mounting diameter of the pin gear chain in inner/outer rotary applications for the optimal pin gear drive. Teeth have been hardened to increase their strength and wear resistance. Note: These products are made-to-order. Contact a Tsubaki representative for details.

◆ Reference dimensions

■ Pin gear sprockets by number of teeth

(The table below shows reference dimensions. They will vary depending on the drive system and number of chain links.)

(Unit : mm)

Size	RS40		RS50		RS60		RS80		RS100		RS120		RS140		RS160	
Tooth width	7.3		8.9		11.9		15.0		18.0		24.0		24.0		30.0	
No. of teeth	Pitch dia. D_P	Outer dia. D_O	Pitch dia. D_P	Outer dia. D_O	Pitch dia. D_P	Outer dia. D_O	Pitch dia. D_P	Outer dia. D_O	Pitch dia. D_P	Outer dia. D_O	Pitch dia. D_P	Outer dia. D_O	Pitch dia. D_P	Outer dia. D_O	Pitch dia. D_P	Outer dia. D_O
15	62.29	70.9	77.77	88.1	93.32	106.3	124.17	141.8	155.09	177.9	186.11	212.8	216.94	247.7	247.94	282.2
16	66.33	75.1	82.82	93.3	99.38	112.6	132.26	150.1	165.19	188.1	198.23	224.9	231.09	261.6	264.11	298.4
17	70.37	79.3	87.87	98.6	105.45	119.0	140.34	158.6	175.30	198.2	210.36	237.0	245.24	275.7	280.28	314.6
18	74.42	83.5	92.93	103.9	111.51	125.3	148.43	167.1	185.41	208.3	222.49	249.2	259.39	289.9	296.45	330.7
19	78.46	87.8	97.98	109.1	117.57	131.5	156.51	175.4	195.51	218.4	234.62	261.3	273.54	304.0	312.62	346.9
20	82.50	92.0	103.03	114.3	123.64	137.9	164.60	183.7	205.62	228.5	246.74	273.4	287.69	318.2	328.79	363.1
21	86.54	96.0	108.09	119.6	129.70	144.0	172.68	191.7	215.73	238.6	258.87	285.5	301.84	332.3	344.96	379.3
22	90.56	100.1	113.14	124.9	135.77	150.1	180.77	199.8	225.83	248.7	271.00	297.7	315.99	346.5	361.13	395.4
23	94.63	104.1	118.19	130.2	141.83	156.1	188.85	207.9	235.94	258.8	283.13	309.8	330.14	360.6	377.30	411.6
24	98.67	108.2	123.24	135.4	147.89	162.2	196.94	216.0	246.04	268.9	295.25	321.9	344.28	374.8	393.47	427.8
25	102.71	112.2	128.30	140.5	153.96	168.2	205.02	224.1	256.15	279.0	307.38	334.1	358.43	388.9	409.64	443.9

Model numbering example

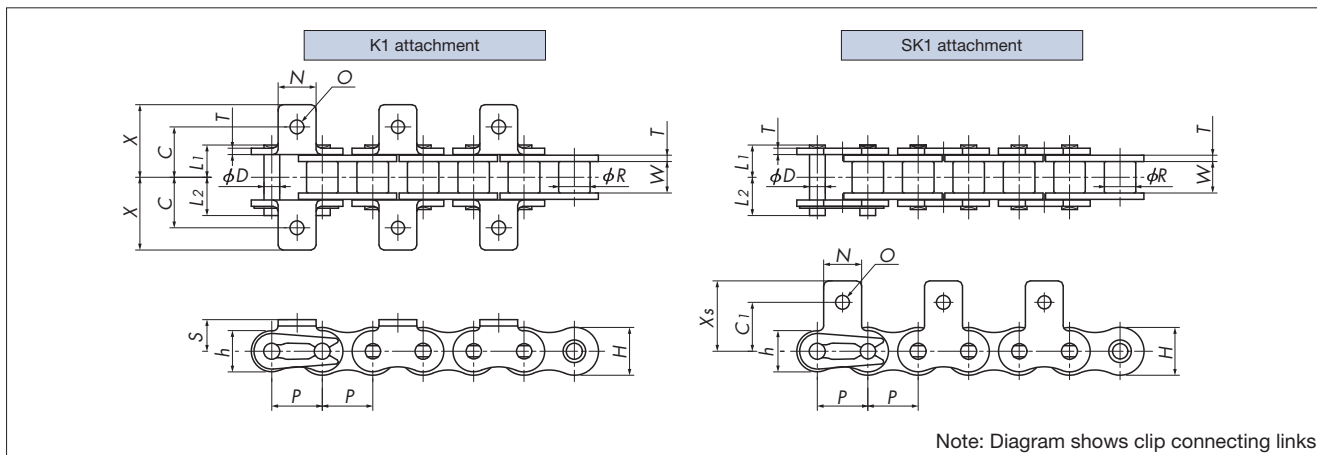
RS80 - 1B 18T Q - G - TK



Selection

See page 205 for selection.

Pin Gear Drives Attachment Chains for Chain-type Pin Gears



Specifications

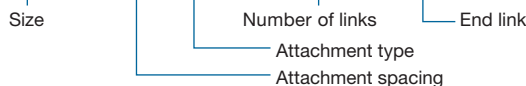
Size	Pitch P	Roller dia. R	Inner link inner width W	Plate			Pin			Pin gear max. allowable load kN{kgf}	Approx. mass kg/m
				Thickness T	Width H	Width h	Dia. D	L_1	L_2		
RS40	12.70	7.92	7.95	1.5	12.0	10.4	3.97	8.25	9.95	2.16{220}	0.64
RS50	15.875	10.16	9.53	2.0	15.0	13.0	5.09	10.3	12.0	4.12{420}	1.04
RS60	19.05	11.91	12.70	2.4	18.1	15.6	5.96	12.85	14.75	4.90{500}	1.53
RS80	25.40	15.88	15.88	3.2	24.1	20.8	7.94	16.25	19.25	9.41{960}	2.66
RS100	31.75	19.05	19.05	4.0	30.1	26.0	9.54	19.75	22.85	15.7{1600}	3.99
RS120	38.10	22.23	25.40	4.8	36.2	31.2	11.11	24.9	28.90	20.6{2100}	5.93
RS140	44.45	25.40	25.40	5.6	42.2	36.4	12.71	26.9	31.70	29.4{3000}	7.49
RS160	50.80	28.58	31.75	6.4	48.2	41.6	14.29	31.85	36.85	37.3{3800}	10.10
RS200	63.50	39.68	38.10	8.0	60.3	52.0	19.85	39.0	44.80	46.1{4700}	16.49
RS240	76.20	47.63	47.63	9.5	72.4	62.4	23.81	47.9	55.50	68.6{7000}	24.50

Size	Attachment							K1/SK1 additional mass per attachment location kg	Number of links per unit
	C	C_1	N	O	S	X	X_s		
RS40	12.7	12.7	9.5	3.6	8.0	17.8	17.40	0.004	240
RS50	15.9	15.9	12.7	5.2	10.3	23.4	23.05	0.006	192
RS60	19.05	18.3	15.9	5.2	11.9	28.2	26.85	0.014	160
RS80	25.4	24.6	19.1	6.8	15.9	36.6	35.45	0.026	120
RS100	31.75	31.8	25.4	8.7	19.8	44.9	44.00	0.052	96
RS120	38.1	36.5	28.6	10.3	23.0	55.8	52.85	0.088	80
RS140	44.5	44.5	34.9	11.9	28.6	63.1	63.50	0.142	68
RS160	50.8	50.8	38.1	14.3	31.8	71.8	70.10	0.194	60
RS200	63.5	63.5	48.0	17.5	42.9	83.5	85.50	0.356	48
RS240	76.2	76.2	57.2	21.0	47.7	97.9	106.70	0.553	40

Note: Use mounting bolts of strength class 8.8 or higher. Maximum allowable load is specific to pin gear applications and will differ from values shown in the table for Small Size Conveyor Chain.

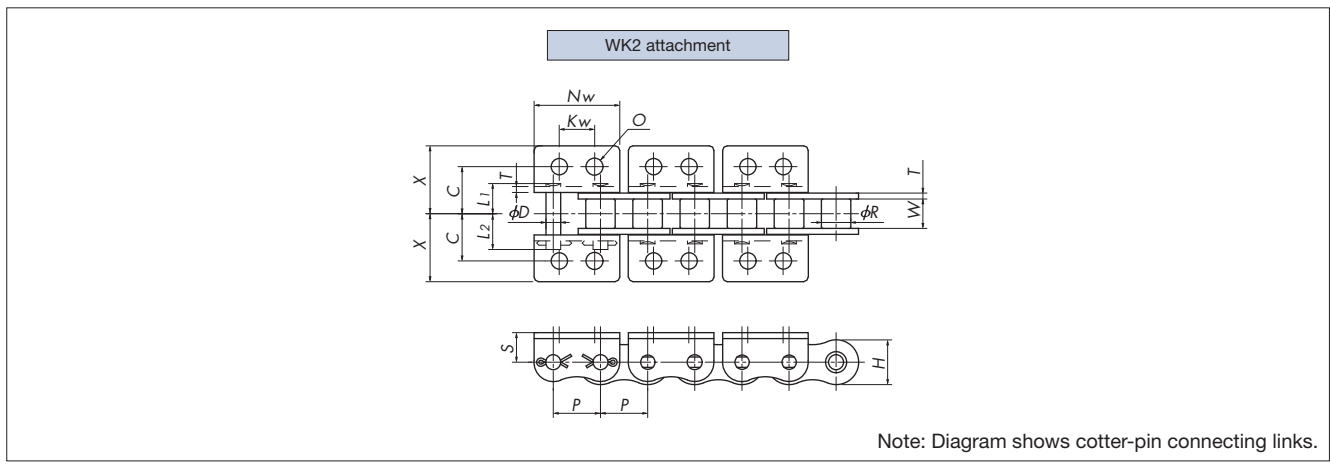
Model numbering example

RS80 - 2L K1 + 120L - JR



Refer to the Small Size Conveyor Chain catalog for ordering information.

Note: For RF320 and RF400 chains, select "T" for the series code.

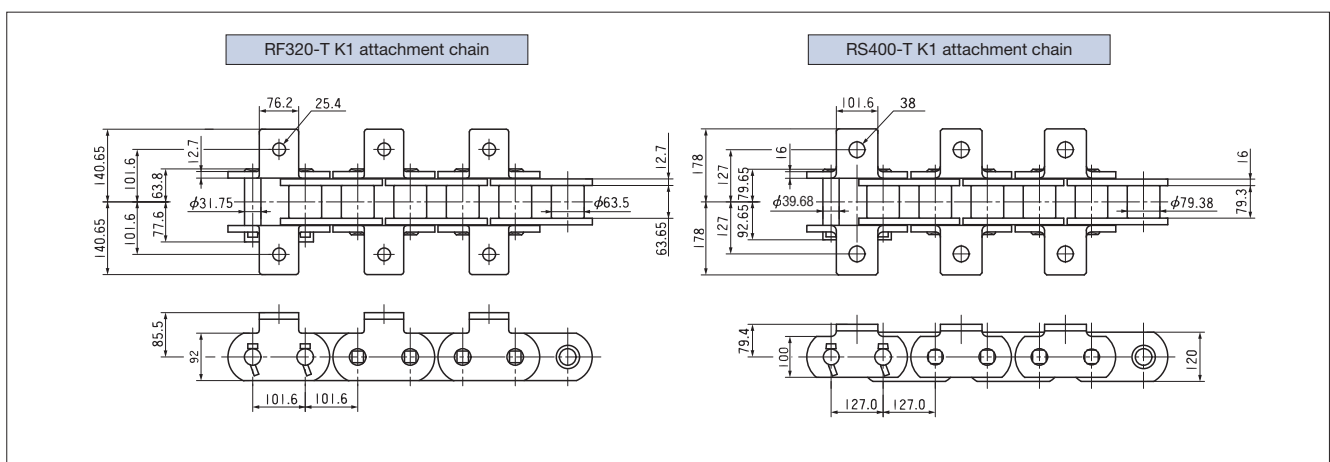


Specifications

Size	Pitch P	Roller dia. R	Inner link inner width W	Plate		Pin			Max. allowable load kN{kgf}	Approx. mass kg/m
				Thickness T	Width H	Dia. D	L ₁	L ₂		
RS40	12.70	7.92	7.95	1.5	12.0	3.97	8.25	9.95	2.65{270}	0.64
RS50	15.875	10.16	9.53	2.0	15.0	5.09	10.3	12.0	4.31{440}	1.04
RS60	19.05	11.91	12.70	2.4	18.1	5.96	12.85	14.75	6.28{640}	1.53
RS80	25.40	15.88	15.88	3.2	24.1	7.94	16.25	19.25	10.7{1090}	2.66
RS100	31.75	19.05	19.05	4.0	30.1	9.54	19.75	22.85	17.1{1740}	3.99
RS200	63.50	39.68	38.10	8.0	60.3	19.85	39.0	44.8	46.1{4700}	16.49
RS240	76.20	47.63	47.63	9.5	72.4	23.81	47.9	55.5	68.6{7000}	24.15

Size	Attachment						WK2 additional mass per attachment location kg	Number of links per unit
	C	X	Nw	Kw	O	S		
RS40	12.7	17.8	23.0	9.5	4.5	8.0	0.006	240
RS50	15.9	23.4	28.8	11.9	5.5	10.3	0.014	192
RS60	19.05	28.2	34.6	14.3	6.6	11.9	0.024	160
RS80	25.4	36.6	46.1	19.1	9.0	15.9	0.056	120
RS100	31.75	44.9	57.7	23.8	11.0	19.8	0.110	96
RS200	63.5	83.5	115.4	63.5	17.5	42.9	0.857	48
RS240	76.2	97.9	138.5	57.0	21.0	47.7	1.338	40

Note: Use mounting bolts of strength class 8.8 or higher. Maximum allowable load is specific to pin gear applications and will differ from values shown in the table for Small Size Conveyor Chain.



Specifications

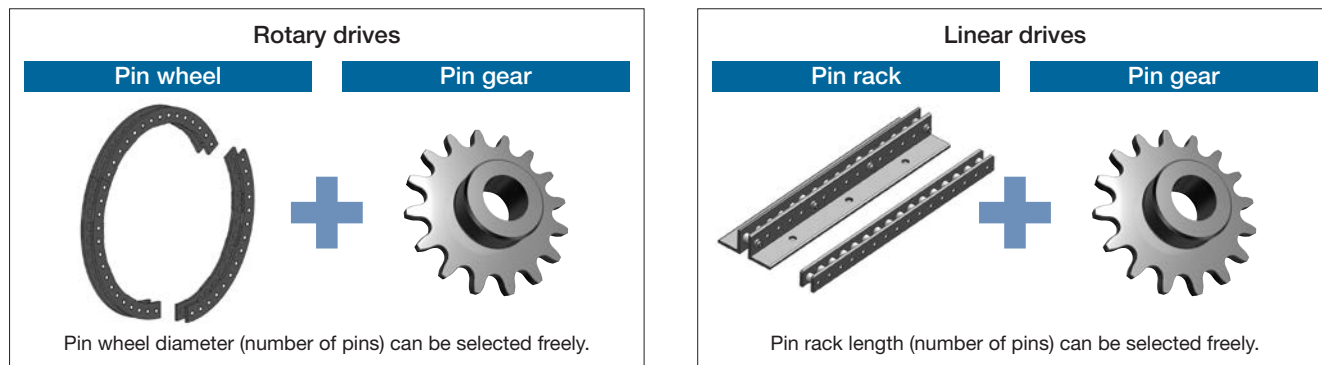
Size & series	Max. allowable load kN{kgf}	Approx. mass kg/m	K1 additional mass per attachment location kg	Number of links per unit
RF320-T	104{10600}	47.6	1.732	30
RF400-T	176{17900}	83.9	3.136	24

Note: Use mounting bolts of strength class 8.8 or higher.

A new drive system to replace gears and racks.

Configuration

A pin gear drive unit is a drive unit with a pin gear and engaging pin rack (or pin wheel) set.

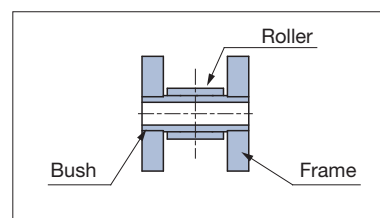
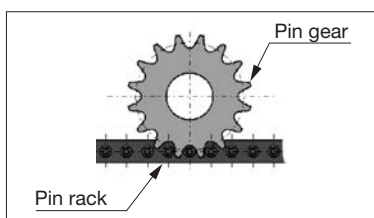


Pin gear and pin wheel/rack are sold together as a unit. Combine pin gear and pin wheel/rack to bring out its full functions and performance.

Structure

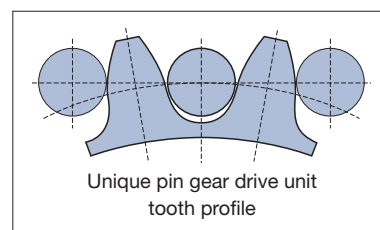
Pin gears feature special tooth profiles for smooth, continuous engagement with the rollers.

On steel pin gear drive units, teeth have been hardened to increase their strength and wear resistance.



Unique Pin Gear Tooth Profile

The pin gear tooth profiles incorporate a unique Tsubaki design to give them smooth engagement and power transmission between pin wheel and rack. Tooth profile will vary depending on the application (outer drive, inner drive, linear drive) and pin wheel diameter.



Features

Drive method	Installation time	Transmission torque	Large equipment
Pin gear drive unit	Good	Good	Good
Standard gear	Fair	Good	Fair
Chain type pin gear	Fair	Good	Good

Easy installation

Uses a segmented system for easy installation.
Allows for more flexible installation precision than rack gears.

Large transmission torque

Pin gears provide a large transmission torque thanks to its ample modular design and excellent pin wheel/pin rack balance.

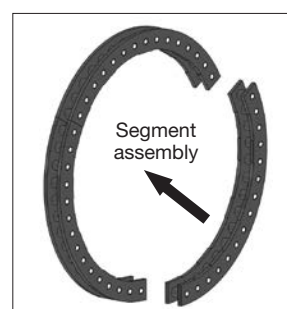
Usable on large-scale equipment

Can be used as a drive on large equipment just by adding more segments.

Wide selection

Three types are available: standard steel, high anti-rust steel, and stainless steel.

Steel	PDU	Versatile, high strength
High anti-rust	PDU-R	High strength with improved corrosion and weather resistance
Stainless steel	PDU-S	Excellent corrosion and heat resistance



Specifications

Standard specifications

Frame no.	Pitch mm	Allowable tangential load kN {kgf}	
		Steel models	Stainless steel models
PDU020	20	4.7 {480}	0.8 {80}
PDU022	22	7.7 {780}	1.1 {110}
PDU030	30	12.8 {1300}	1.9 {190}
PDU035	35	19.5 {1990}	2.6 {270}
PDU040	40	27.3 {2780}	4.1 {420}
PDU050	50	31.7 {3230}	5.1 {520}
PDU055	55	52.9 {5390}	7.0 {710}
PDU070	70	60.7 {6190}	9.9{1010}
PDU080	80	71.5 {7290}	12.0{1220}
PDU090	90	98.9{10100}	16.8{1710}
PDU120	120	122.5{12490}	—
PDU150	150	240 {24500}	—
PDU180	180	347 {35400}	—
PDU240	240	525 {53400}	—

- Pin wheel pitch notation indicates circular arc pitch.
- Tangential load may be reduced for some specifications or in certain applications.

		Steel models	Stainless steel models
Maximum speed	Tangential speed: 50 m/min		
Usage environment	Indoors (not exposed to rain or water)		Corrosive atmospheres
Usage temperature	-10°C to 150°C		-20°C to 400°C
Material	Frame	Rolled steel	Austenitic stainless steel
	Bush	Alloy steel	Precipitation hardened stainless steel
	Roller	Alloy steel	Austenitic stainless steel
	Pin Gear	Carbon steel (with hardened teeth)	Austenitic stainless steel

Backlash (reference) and center distance precision

Frame no.	Steel models		Stainless steel models	
	Backlash (mm)	Center distance precision (mm)	Backlash (mm)	Center distance precision (mm)
PDU020	0.26 to 0.47	±0.25	0.26 to 0.47	±0.25
PDU022	0.32 to 0.57	±0.3	0.32 to 0.57	±0.3
PDU030	0.32 to 0.66	±0.4	0.32 to 0.67	±0.4
PDU035	0.33 to 0.88	±0.5	0.33 to 0.88	±0.5
PDU040	0.41 to 0.86	±0.6	0.41 to 0.86	±0.6
PDU050	0.53 to 0.98	±0.7	0.53 to 1.08	±0.7
PDU055	0.61 to 1.06	±0.75	0.61 to 1.26	±0.75
PDU070	0.86 to 1.24	±0.9	0.86 to 1.61	±0.9
PDU080	0.89 to 1.20	±1	0.89 to 1.74	±1
PDU090	0.97 to 1.42	±1.2	0.97 to 1.92	±1.2
PDU120	1.30 to 1.57	±1.6	—	—
PDU150	1.63 to 1.96	±2	—	—
PDU180	1.95 to 2.36	±2.4	—	—
PDU240	2.60 to 3.14	±3.2	—	—

- Backlash amounts are calculated figures and are not guaranteed values.

Frame Numbers by Model Type and Specification

Frame no.	PDU020	PDU022	PDU030	PDU035	PDU040	PDU050	PDU055	PDU070	PDU080	PDU090	PDU120	PDU150	PDU180	PDU240
Steel models	○	○	○	○	○	○	○	○	○	○	○	○	○	○
High anti-rust			○	○	○	○	○	○	○	○	○			
Stainless steel models	○	○	○	○	○	○	○	○	○	○				
Sluice/movable weir						○		○		○				

Variations

Steel models (standard specifications)

◆ Features

Steel models are the most versatile type with support for all frame numbers.

High anti-rust steel models Applicable frames: PDU030 to PDU120

◆ Features

Stainless steel models include special surface treatment for improved corrosion resistance and weather resistance without changing the standard tangential load.

◆ Specifications

High anti-rust plating, high anti-rust coating, and high anti-rust painting options are available.

Frame	High anti-rust plating	Special zinc and aluminum alloy plating
Roller, bush	High anti-rust coating	Special zinc and resin coating
Pin gear	High anti-rust painting	Special paint with corrosion resistance and weather resistance

Stainless steel models (standard specifications) Applicable frames: PDU020 to PDU090

◆ Features

Stainless steel models are suitable for use in corrosive atmospheres and environments with low or high temperatures.

◆ Specifications

All models are made of stainless steel.

Some models have different dimensions from steel models. See the Table of Dimensions on page 162.

Stainless steel models (sluice/movable weir specifications; linear drive) Applicable frames: PDU050, PDU070, PDU090

◆ Features

Sluice/movable weir specifications provide superior environmental resistance when stationary compared with standard specifications.

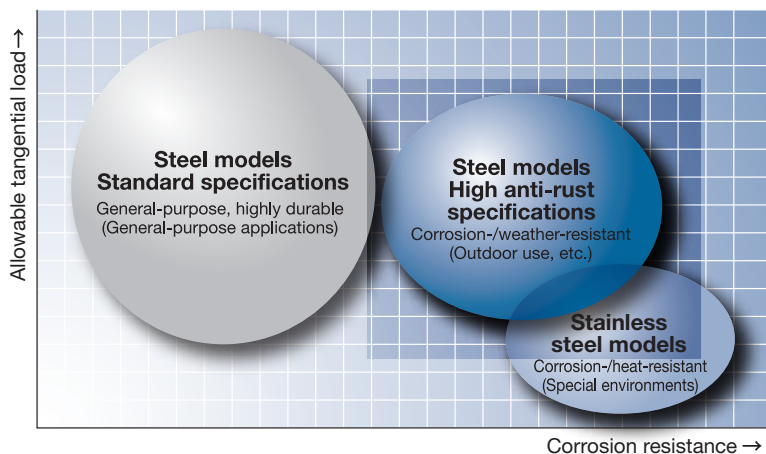
These models also comply with technical standards (draft) for dam and weir facilities.

◆ Specifications

All components on the stainless steel models are made of SUS304.

Note: The minimum number of teeth for pin gears has been established in consideration of safety factors per the technical standards (draft) for dam and weir facilities. The minimum number of teeth is 15 for PDU050 and PDU070, and 14 for PDU090.

Selection guide



Special Specifications

Made-to-order models are also available.

Material/surface treatment	<ul style="list-style-type: none"> • Black oxide coating — Attractive appearance, some rust prevention • Electroless Ni-P plating — Corrosion and wear resistance
Locking pin gear	<ul style="list-style-type: none"> • Pin gear with frictional lock mechanism — Easy phasing (Not available for stainless steel models)
Large backlash specifications	<ul style="list-style-type: none"> • Increased backlash improves ease of installation (Contact a Tsubaki representative for more information)
Small backlash specifications	<ul style="list-style-type: none"> • Models with less backlash are also available (Contact a Tsubaki representative for more information)



Locking pin gear

Usage Examples

Rotary drives

Turntable



- Segmented design means it can be made for just the required angle, and is cheaper than a gear set.

Casting line



- Used extensively in work conveyance and in automated equipment.

Rotator

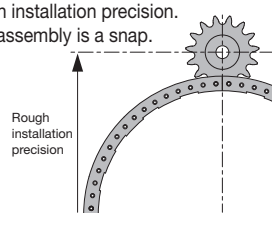


- No need to adjust tension as with winding chain power transmission.
- Inner drive allows for compact equipment.

Equipment maintenance

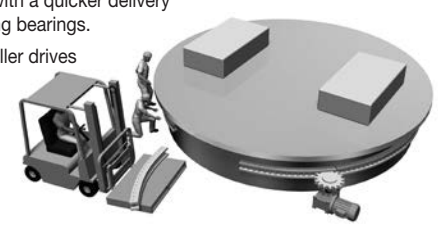


- Easy on-site assembly and disassembly.
- Allows for rough installation precision. Setting during assembly is a snap.



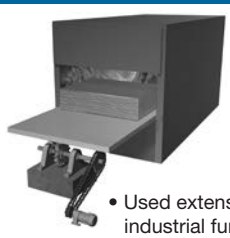
Large diameter swivel table

- Better handleability thanks to segmented delivery.
- Cheaper, lighter, and with a quicker delivery than gears with slewing bearings.
- No slippage as with roller drives for accurate power transmission.

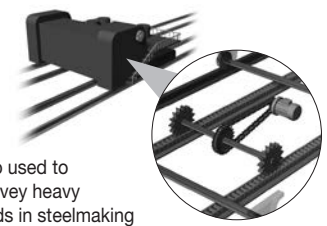
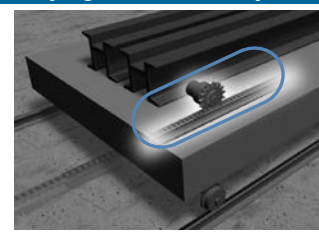


Linear drives

Carrying truck for heavy loads



- Used extensively in industrial furnaces.



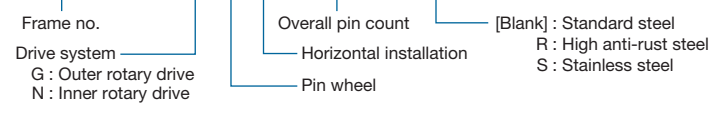
- Also used to convey heavy loads in steelmaking equipment.

Model numbering example

Pin wheel

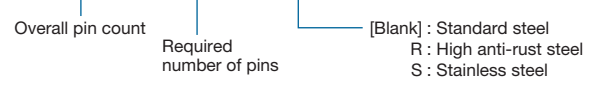
Complete circumference

PDU070 - G P F 300P - S



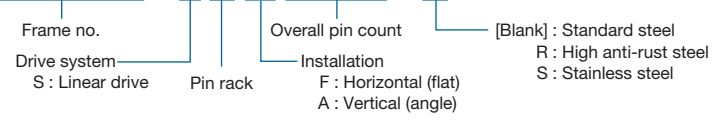
Partial circumference (less than 360°)

PDU070 - GPF 300P 090P - S



Pin rack

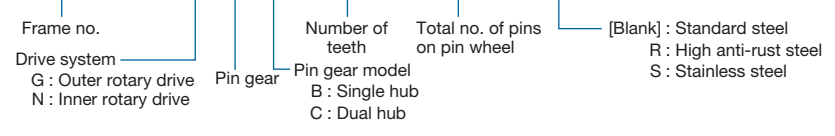
PDU050 - S P A 080P - R



Pin gear (rotary drive)

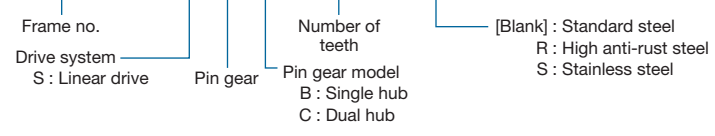
Tooth shape varies depending on drive system and total number of pins on pin wheel

PDU070 - G G C 017T 300P - S



Pin gear (linear drive)

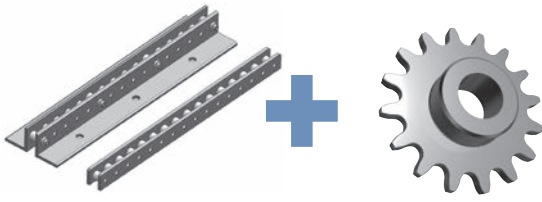
PDU050 - S G B 014T - R



Pin Rack (Linear Drive) Models and Specifications

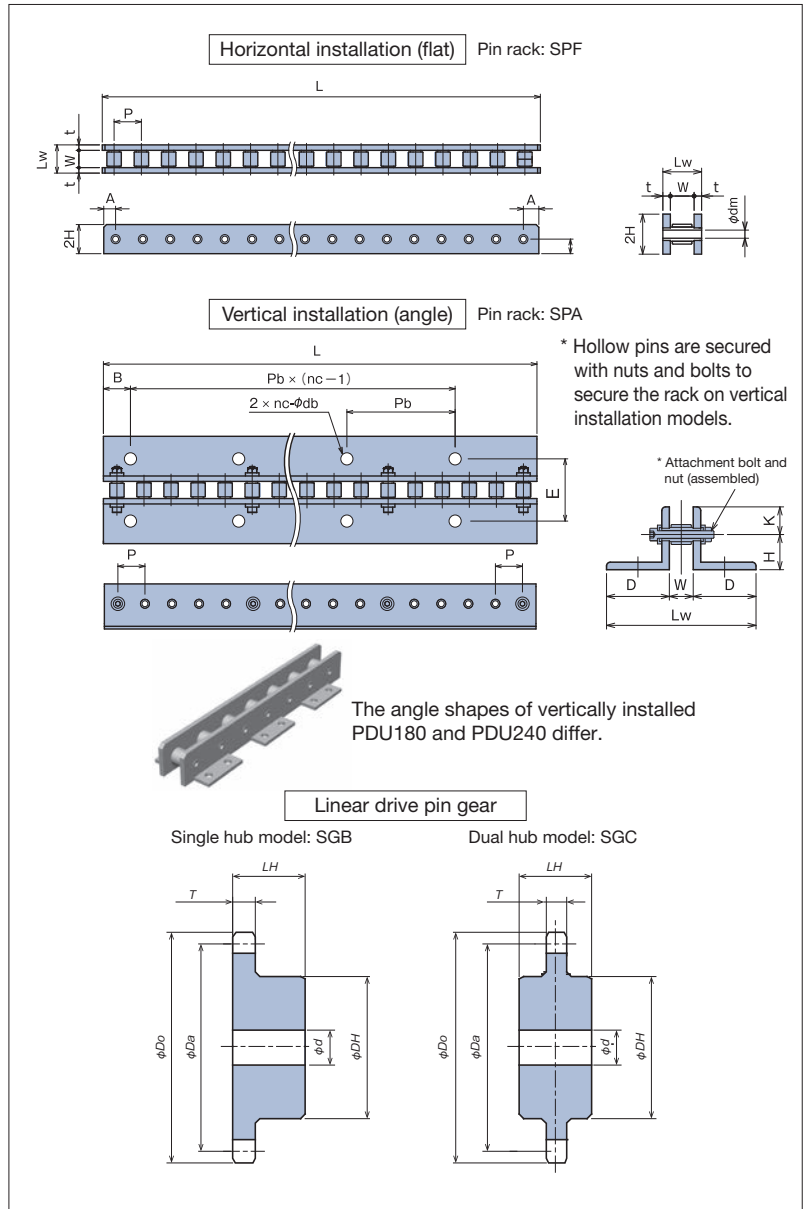
Pin wheel

Pin gear

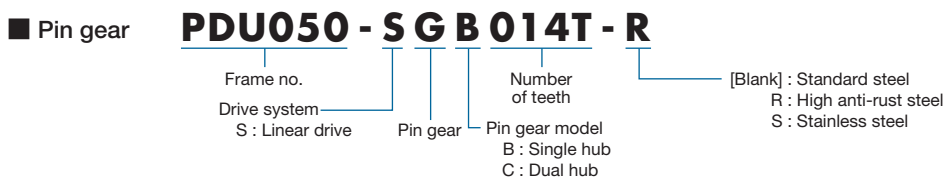
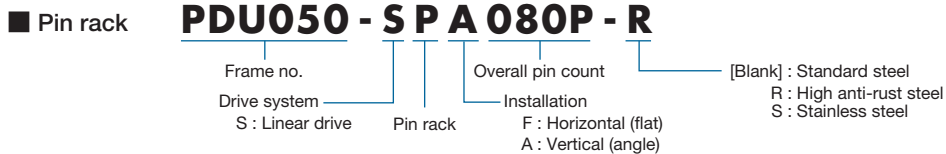


Notes:

1. The standard pin count is based on the number of pins used in segments with lengths that make them easy to handle. In addition, the minimum length and minimum number of pins are set based on manufacturing limitations.
2. If the total number of pins exceeds the standard number of pins, the standard number of pins and the number of pins less than the standard length (equal to or more than the minimum number of pins) is used for configuration.
3. See page 170 for installation instructions.
4. Mounting bolts are not included.



Model numbering example



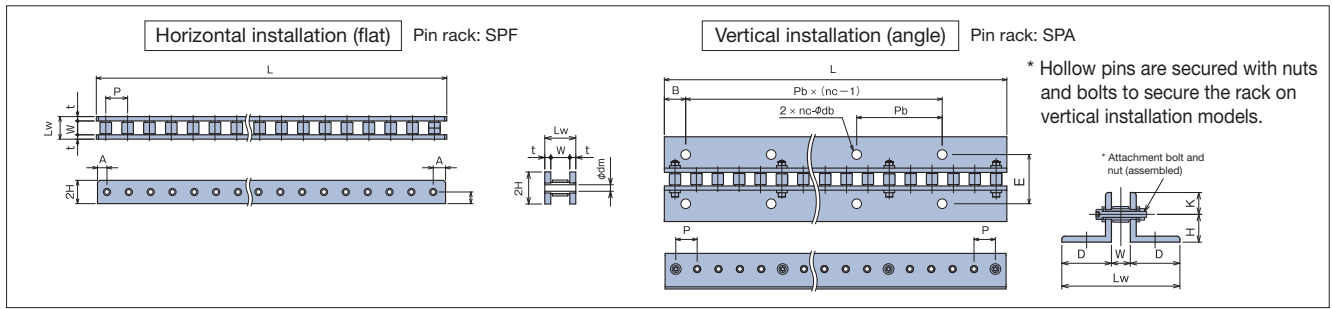
Pin rack / linear drive pin gear dimensions, Table ① (PDU020 to PDU040)

(Unit: mm)

Frame no.		PDU020	PDU022	PDU030	PDU035	PDU040		
Pitch P		20	22	30	35	40		
Roller diameter ϕ		10.16	11.91	15.88	19.05	22.23		
Standard length L		800	792	780	770	800		
Standard pin count NT		40	36	26	22	20		
Pin gear tooth width T		9	12	15	18	24		
Inside width W		12	16	19	22	28		
Pin rack	Horizontal installation (flat)	Center height H	11	12.5	16	19	22.5(S:25)	
		Overall height $2H$	22	25	32	38	45(S:50)	
		Overall width L_w	21(S:22)	25(S:26)	31	40(S:34)	46(S:44)	
		Plate thickness t	4.5(S:5)	4.5(S:5)	6	9(S:6)	9(S:8)	
		Pin position A	10	11	15	17.5	20	
		Bolt hole diameter ϕ_{dm}	4.5	4.5	6.5	8.8	10.8	
		Mounting bolt size	M4	M4	M6	M8	M10	
		Standard mass kg	1.5(S:1.6)	1.8(S:2.0)	3.0(S:3.1)	5.0(S:3.7)	6.4(S:6.5)	
		Minimum length	160	286	300	280	280	
		Minimum pin count	8	13	10	8	7	
		Vertical installation (flat)	Center height	H	20	27	28	30
	K			10	13	22	20	22
	Overall height $H+K$		30	40	50	50	50	
	Overall width L_w		72	96	119	122	128	
	Angle leg width D		30	40	50	50	50	
	End surface B		20	22	30	35	40	
	Mounting hole diameter ϕ_{db}		9	11	13.5	13.5	13.5	
	Mounting bolt size		M8	M10	M12	M12	M12	
	Mounting hole position E		56	60	69	76	88	
	Mounting hole pitch P_b		120	88	120	140	120	
	Mounting hole count (1 side) nc		7	9	7	6	7	
	Distance between mounting holes $P_b \times (nc-1)$		720	704	720	700	720	
	Standard mass kg		2.4	3.3(S:3.4)	5.9(S:6.6)	7.7(S:6.8)	8.5(S:7.5)	
	Minimum length	160	132	180	210	320		
Minimum pin count	8	6	6	6	8			
Pin gear	13 T	Pitch circle diameter $\phi_{D\alpha}$	84.76	93.44	126.94	148.43	169.92	
		Outer diameter ϕ_{D_o}	103	113	154	180	206	
		Hub	Diameter ϕ_{DH}	50	60	80	95	110
			Length LH	30	40	50	80	90
		Shaft bore diameter ϕ_d	Pilot bore	12.7	15.9	19	23	28
			Max.	30	30	50	50	60
	14 T	Pitch circle diameter $\phi_{D\alpha}$	91.13	100.44	136.49	159.57	182.65	
		Outer diameter ϕ_{D_o}	108	119	162	189	217	
		Hub	Diameter ϕ_{DH}	50	60	80	110	120
			Length LH	30	40	50	90	100
		Shaft bore diameter ϕ_d	Pilot bore	12.7	15.9	19	23	28
			Max.	30	30	50	60	70
	15 T	Pitch circle diameter $\phi_{D\alpha}$	97.29	107.04	145.84	170.51	194.99	
		Outer diameter $\phi_{D\alpha}$	114	125	170	199	228	
		Hub	Diameter ϕ_{DH}	50	60	80	110	120
			Length LH	30	40	50	90	100
		Shaft bore diameter ϕ_d	Pilot bore	12.7	15.9	19	28	33
			Max.	30	30	50	60	70

Note: In the table above, "S" represents the dimensions/mass for stainless steel models.

Pin Gear Drives Pin Gear Drive Units

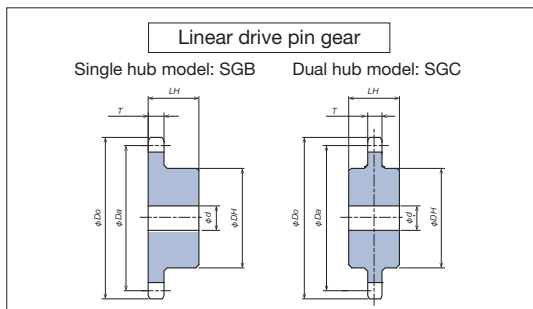


Pin rack / linear drive pin gear dimensions, Table ② (PDU050 to PDU090)

(Unit: mm)

Frame no.		PDU050	PDU055	PDU070	PDU080	PDU090		
Pitch P		50	55	70	80	90		
Roller diameter ϕ		25.4	28.58	35.71	39.68	47.63		
Standard length L		1000	990	980	960	990		
Standard pin count NT		20	18	14	12	11		
Pin gear tooth width T		24	30	34	36	45		
Inside width W		28	36	40	42	52		
Pin rack	Horizontal installation (flat)	Center height H	32.5	32.5	37.5	45	50	
		Overall height $2H$	65	65	75	90	100	
		Overall width L_w	52(S:46)	60(S:54)	72(S:60)	74(S:66)	90(S:76)	
		Plate thickness t	12(S:9)	12(S:9)	16(S:10)	16(S:12)	19(S:12)	
		Pin position A	25	27.5	35	40	45	
		Bolt hole diameter ϕ_{dm}	12.8	12.8	17	17	22	
		Mounting bolt size	M12	M12	M16	M16	M20	
		Standard mass kg	14.0(S:11.1)	14.9(S:12.1)	22.2(S:15.6)	26.3(S:21.3)	36.5(S:26.2)	
		Minimum length	300	495	420	560	540	
		Minimum pin count	6	9	6	7	6	
		Vertical installation (flat)	Center height	H 40	H 37	H 43	H 55	H 55
			K 25	K 28	K 32	K 35	K 45	
	Overall height $H+K$		65	65	75	90	100	
	Overall width L_w		158	166	190	222	252	
	Angle leg width D		65	65	75	90	100	
	End surface B		50	55	70	80	90	
	Mounting hole diameter ϕ_{db}		17.5	17.5	17.5	22	22	
	Mounting bolt size		M16	M16	M16	M20	M20	
	Mounting hole position E		104	112	130	142	162	
	Mounting hole pitch P_b		150	165	210	160	180	
	Mounting hole count (1 side) nc		7	6	5	6	5	
	Distance between mounting holes $P_b \times (nc-1)$		900	825	840	800	720	
	Standard mass kg		17.1(S:13.8)	18.0(S:14.8)	29	37	45	
	Minimum length		250	440	560	480	540	
	Minimum pin count		5	8	8	6	6	
	Pin gear		13 T	Pitch circle diameter ϕ_{Da}	211.7	232.79	295.66	337.64
		Outer diameter ϕ_{Do}		256	282	358	409	460
Hub		Diameter ϕ_{DH}		130	150	180	190	220
		Length LH		100	140	160	160	190
Shaft bore diameter ϕ_d		Pilot bore		33	33	43	43	43
		Max.		80	90	110	110	130
14 T		Pitch circle diameter ϕ_{Da}		227.62	250.3	317.94	363.11	409.07
		Outer diameter ϕ_{Do}	270	297	377	431	485	
		Hub	Diameter ϕ_{DH}	130	160	180	200	230
			Length LH	110	140	160	180	210
		Shaft bore diameter ϕ_d	Pilot bore	33	33	43	43	43
			Max.	80	100	110	120	140
		15 T	Pitch circle diameter ϕ_{Da}	243.13	267.41	339.83	388.17	437.32
Outer diameter ϕ_{Do}			284	312	397	453	510	
Hub			Diameter ϕ_{DH}	130	160	180	200	230
			Length LH	110	140	160	180	210
Shaft bore diameter ϕ_d			Pilot bore	33	33	43	43	63
			Max.	80	100	110	120	140

Note: In the table above, "S" represents the dimensions/mass for stainless steel models.
Stainless steel models of frame numbers PDU070 and above are for horizontal installation (flat) only.

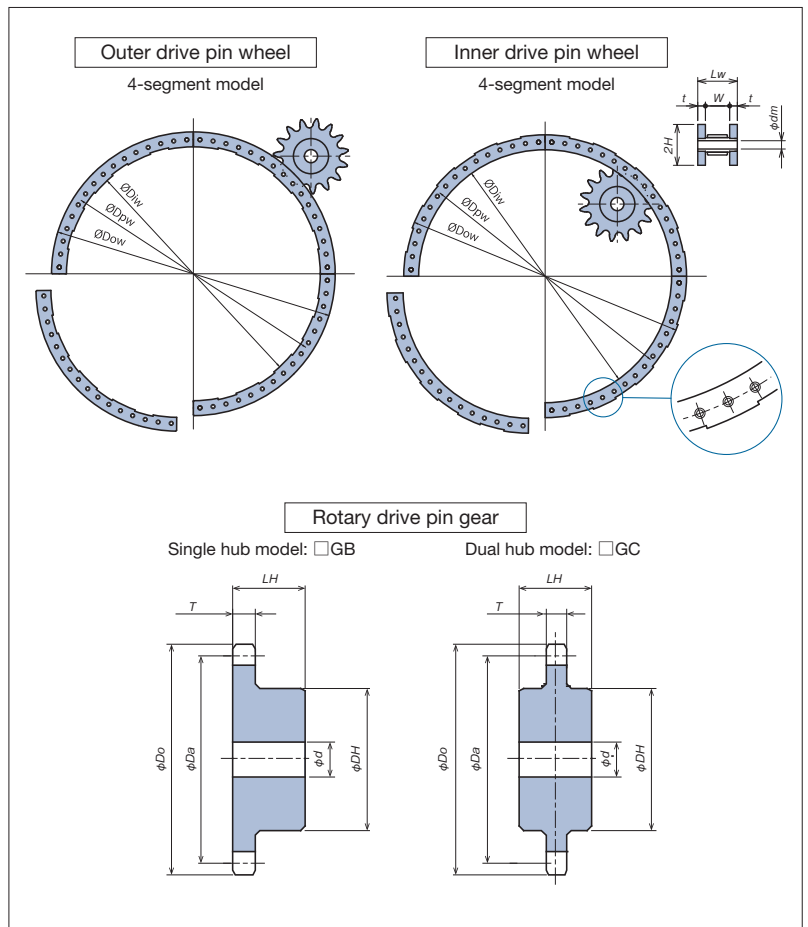
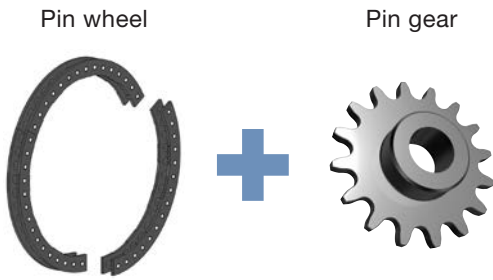


Pin rack / linear drive pin gear dimensions, Table ③ (PDU120 to PDU240) (Unit: mm)

Frame no.		PDU120	PDU150	PDU180	PDU240		
Pitch <i>P</i>		120	150	180	240		
Roller diameter ϕ		63.5	79.38	95.25	127		
Standard length <i>L</i>		960	1200	1260	1200		
Standard pin count NT		8	8	7	5		
Pin gear tooth width <i>T</i>		60	75	90	120		
Inside width <i>W</i>		68	94	112	150		
Pin rack	Horizontal installation (flat)	Center height <i>H</i>	75	75	100	125	
		Overall height <i>2H</i>	150	150	200	250	
		Overall width <i>L_w</i>	112	138	172	226	
		Plate thickness <i>t</i>	22	22	30	38	
		Pin position <i>A</i>	60	75	90	120	
		Bolt hole diameter ϕ_{dm}	32	39	45	52	
		Mounting bolt size	M30	M36	M42	M48	
		Standard mass kg	60.7	88.3	161	251	
		Minimum length	480	1200	1260	1200	
		Minimum pin count	4	8	7	5	
	Vertical installation (flat)	Center height	<i>H</i>	85	85	125	157
			<i>K</i>	65	65	95	119
		Overall height <i>H+K</i>	150	150	220	276	
		Overall width <i>L_w</i>	368	394	462	554	
		Angle leg width <i>D</i>	150	150	175	202	
		End surface <i>B</i>	120	150	Contact Tsubaki for details.		
		Mounting hole diameter ϕ_{db}	33	39	Contact Tsubaki for details.		
		Mounting bolt size	M30	M36	M42	M48	
		Mounting hole position <i>E</i>	232	270	Contact Tsubaki for details.		
		Mounting hole pitch <i>P_b</i>	240*	300	Contact Tsubaki for details.		
		Mounting hole count (1-side) <i>nc</i>	3	4	Contact Tsubaki for details.		
		Distance between mounting holes <i>P_b × (nc-1)</i>	480	900	Contact Tsubaki for details.		
		Standard mass kg	90	131	233	362	
		Minimum length	540	1200	1260	1200	
		Minimum pin count	4	8	7	5	
		Pin gear	13 T	Pitch circle diameter ϕ_{Da}	508.56	635.7	762.85
Outer diameter ϕ_{Do}	615			746	925	1233	
Hub	Diameter ϕ_{DH}			270	250	300	400
	Length <i>LH</i>			250	250	300	400
Shaft bore diameter ϕ_d	Pilot bore			63	68	78	78
	Max.			160	150	180	250
14 T	Pitch circle diameter ϕ_{Da}		546.76	683.45	820.14	1093.52	
	Outer diameter ϕ_{Do}		648	787	975	1300	
	Hub		Diameter ϕ_{DH}	270	270	320	430
			Length <i>LH</i>	250	270	320	430
	Shaft bore diameter ϕ_d		Pilot bore	63	68	78	78
			Max.	160	160	200	260
15 T	Pitch circle diameter ϕ_{Da}		582.96	728.7	874.44	1165.92	
	Outer diameter ϕ_{Do}		680	827	1023	1364	
	Hub		Diameter ϕ_{DH}	280	290	340	460
			Length <i>LH</i>	260	290	340	460
	Shaft bore diameter ϕ_d		Pilot bore	63	68	78	78
			Max.	170	180	210	280

Note: Frame numbers PDU120 and above are for steel models only.
 *The mounting hole pitch is 120 mm when the number of pins is 4 or 5.

Pin Wheel (Rotary Drive) Models and Specifications



Notes:

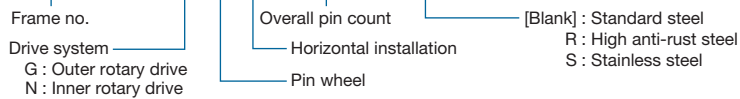
1. Pin wheels are divided into segments. The number of segments depends on the frame number and the overall pin count.
2. There are projections on the inner rim of outer drive pin wheel segments and on the outer rim of inner drive pin wheel segments. These projections serve as the reference surface when installing the pin wheel on the device with which it is to be used.
3. The inner diameter (D_{iw}) of outer drive wheels and the outer diameter (D_{ow}) of inner drive wheels should be used respectively as the outer/inner diameter of the device with which the pin wheel is to be used.
4. See page 170 for installation instructions.
5. Mounting bolts are not included.
6. The number of pins can be selected as desired so long as the total number of pins is 60 or more.
7. Pin wheels for partial circumferences are also available.

Model numbering example

■ Pin wheel

Complete circumference

PDU070 - G P F 300P - S



Partial circumference (less than 360°)

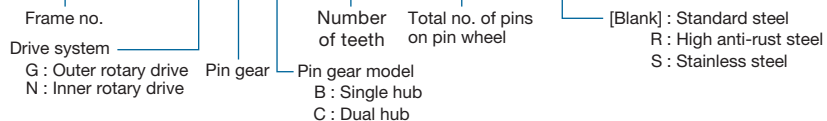
PDU070 - G P F 300P 090P - S



■ Pin gear

Tooth shape varies depending on drive system and total number of pins on pin wheel

PDU070 - G G C 017T 300P - S



Pin wheel / rotary drive pin gear dimensions, Table ① (PDU020 to PDU040)

(Unit: mm)

Frame no.		PDU020				PDU022								
Pitch <i>P</i>		20				22								
Roller diameter ϕ		10.16				11.91								
Pin gear tooth width <i>T</i>		9				12								
Inside width <i>W</i>		12				16								
Overall width <i>LW</i>		21(S:22)				25(S:26)								
Plate thickness <i>t</i>		4.5(S:5)				4.5(S:5)								
Hollow pin hole dia. ϕ_{dm}		4.5				4.5								
Mounting bolt size		M4				M4								
Pin wheel	No. of segments	Overall pin count <i>NT</i>	Pitch circle diameter ϕ_{Dpw}	Outer diameter ϕ_{Dow}	Inner diameter ϕ_{Diw}	Overall pin count <i>NT</i>	Pitch circle diameter ϕ_{Dpw}	Outer diameter ϕ_{Dow}	Inner diameter ϕ_{Diw}					
	1	80	509.3	532	487	72	504.2	529	480					
	4	160	1018.59	1041	996	144	1008.41	1033	984					
	6	240	1527.89	1550	1505	216	1512.61	1537	1488					
	8	320	2037.18	2060	2015	288	2016.81	2041	1992					
	12	480	3055.77	3078	3033	432	3025.22	3050	3001					
Pin gear	No. of teeth <i>NT</i>	Pitch circle diameter $\phi_{D\alpha}$	Reference outer diameter $\phi_{D\sigma}$	Hub diameter ϕ_{DH}	Hub length <i>LH</i>	Shaft bore diameter ϕ_d		No. of teeth <i>NT</i>	Pitch circle diameter $\phi_{D\alpha}$	Reference outer diameter $\phi_{D\sigma}$	Hub diameter ϕ_{DH}	Hub length <i>LH</i>	Shaft bore diameter ϕ_d	
	12	78.59	92	49	20	12.7	30	12	86.83	102	50	40	12.7	30
	13	84.76	98	50	30	12.7	30	13	93.44	108	60	40	15.9	30
	14	91.13	108	50	30	12.7	30	14	100.44	119	60	40	15.9	30
	15	97.29	113	50	30	12.7	30	15	107.04	125	60	40	15.9	30
	16	103.66	119	50	30	12.7	30	16	114.05	131	70	40	15.9	40
24	153.99	166	60	40	15.9	30	24	169.47	184	70	50	18	40	
Frame no.		PDU030				PDU035								
Pitch <i>P</i>		30				35								
Roller diameter ϕ		15.88				19.05								
Pin gear tooth width <i>T</i>		15				18								
Inside width <i>W</i>		19				22								
Overall width <i>LW</i>		31(S:31)				40(S:34)								
Plate thickness <i>t</i>		6(S:6)				9(S:6)								
Hollow pin hole dia. ϕ_{dm}		6.5				8.8								
Mounting bolt size		M6				M8								
Pin wheel	No. of segments	Overall pin count <i>NT</i>	Pitch circle diameter ϕ_{Dpw}	Outer diameter ϕ_{Dow}	Inner diameter ϕ_{Diw}	Overall pin count <i>NT</i>	Pitch circle diameter ϕ_{Dpw}	Outer diameter ϕ_{Dow}	Inner diameter ϕ_{Diw}					
	1	—	—	—	—	—	—	—	—					
	4	104	993.13	1026	961	88	980.39	1021	940					
	6	156	1489.69	1522	1457	132	1470.59	1511	1430					
	8	208	1986.25	2019	1954	176	1960.79	2001	1920					
	12	312	2979.38	3012	2947	264	2941.18	2982	2901					
Pin gear	No. of teeth <i>NT</i>	Pitch circle diameter $\phi_{D\alpha}$	Reference outer diameter $\phi_{D\sigma}$	Hub diameter ϕ_{DH}	Hub length <i>LH</i>	Shaft bore diameter ϕ_d		No. of teeth <i>NT</i>	Pitch circle diameter $\phi_{D\alpha}$	Reference outer diameter $\phi_{D\sigma}$	Hub diameter ϕ_{DH}	Hub length <i>LH</i>	Shaft bore diameter ϕ_d	
	12	117.79	139	75	50	19	40	12	137.49	162	85	80	23	50
	13	126.94	147	80	50	19	50	13	148.3	171	95	80	23	50
	14	136.49	160	80	50	19	50	14	159.57	188	110	90	23	60
	15	145.84	169	80	50	19	50	15	170.51	198	110	90	28	60
	16	155.39	177	80	60	19	50	16	181.65	208	120	100	28	70
24	230.98	250	100	70	23	60	24	269.58	293	130	110	33	80	
Frame no.		PDU040												
Pitch <i>P</i>		40												
Roller diameter ϕ		22.23												
Pin gear tooth width <i>T</i>		24												
Inside width <i>W</i>		28												
Overall width <i>LW</i>		46(S:44)												
Plate thickness <i>t</i>		9(S:6)												
Hollow pin hole dia. ϕ_{dm}		10.8												
Mounting bolt size		M10												
Pin wheel	No. of segments	Overall pin count <i>NT</i>	Pitch circle diameter ϕ_{Dpw}	Outer diameter ϕ_{Dow}	Inner diameter ϕ_{Diw}									
	1	—	—	—	—									
	4	80	1018.59	1067	970									
	6	120	1527.89	1576	1479									
	8	160	2037.18	2086	1989									
	12	240	3055.77	3104	3007									
Pin gear	No. of teeth <i>NT</i>	Pitch circle diameter $\phi_{D\alpha}$	Reference outer diameter $\phi_{D\sigma}$	Hub diameter ϕ_{DH}	Hub length <i>LH</i>	Shaft bore diameter ϕ_d								
	12	157.79	185	100	90	28	60							
	13	169.92	197	110	90	28	60							
	14	182.65	216	120	100	28	70							
	15	194.99	226	120	100	33	70							
	16	207.72	238	120	100	33	70							
24	308.18	335	140	120	33	80								

Note: In the table above, "S" represents the dimensions for stainless steel models.

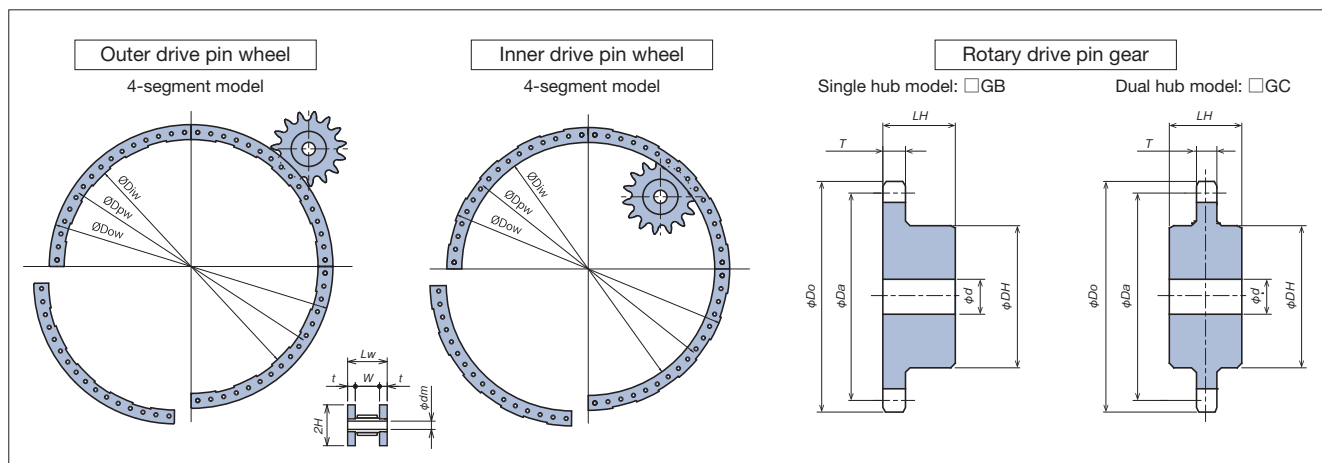
Pin Gear Drives Pin Gear Drive Units

Pin wheel / rotary drive pin gear dimensions, Table ② (PDU050 to PDU090)

(Unit: mm)

Frame no.		PDU050				PDU055								
Pitch P		50				55								
Roller diameter ϕ		25.4				28.58								
Pin gear tooth width T		24				30								
Inside width W		28				36								
Overall width LW		52(S:46)				60(S:54)								
Plate thickness t		12(S:9)				12(S:9)								
Hollow pin hole dia. ϕ_{dm}		12.8				12.8								
Mounting bolt size		M12				M12								
Pin wheel	No. of segments	Overall pin count NT	Pitch circle diameter ϕ_{Dpw}	Outer diameter ϕ_{Dow}	Inner diameter ϕ_{Diw}	Overall pin count NT	Pitch circle diameter ϕ_{Dpw}	Outer diameter ϕ_{Dow}	Inner diameter ϕ_{Diw}					
	5	100	1591.55	1647	1536	90	1575.63	1640	1511					
	6	120	1909.86	1965	1854	108	1890.76	1955	1826					
	9	180	2864.79	2920	2809	162	2836.14	2901	2772					
	13	260	4138.03	4194	4083	234	4096.65	4161	4032					
	16	320	5092.96	5148	5037	288	5042.03	5107	4978					
Pin gear	No. of teeth NT	Pitch circle diameter $\phi_{D\alpha}$	Reference outer diameter $\phi_{D\sigma}$	Hub diameter ϕ_{DH}	Hub length LH	Shaft bore diameter ϕ_d		No. of teeth NT	Pitch circle diameter $\phi_{D\alpha}$	Reference outer diameter $\phi_{D\sigma}$	Hub diameter ϕ_{DH}	Hub length LH	Shaft bore diameter ϕ_d	
	12	196.59	232	110	100	33	60	12	216.08	255	135	140	33	80
	13	211.7	245	130	100	33	80	13	232.79	269	150	140	33	90
	14	227.62	268	130	110	33	80	14	250.30	295	160	140	33	100
	15	243.13	282	130	110	33	80	15	267.41	310	160	140	33	100
	16	259.05	296	140	120	33	80	16	284.91	326	170	150	33	100
24	384.97	416	160	140	33	100	24	423.57	458	190	170	38	110	
Frame no.		PDU070				PDU080								
Pitch P		70				80								
Roller diameter ϕ		35.71				39.68								
Pin gear tooth width T		34				36								
Inside width W		42				42								
Overall width LW		72(S:60)				74(S:66)								
Plate thickness t		16(S:10)				16(S:12)								
Hollow pin hole dia. ϕ_{dm}		17				17								
Mounting bolt size		M16				M16								
Pin wheel	No. of segments	Overall pin count NT	Pitch circle diameter ϕ_{Dpw}	Outer diameter ϕ_{Dow}	Inner diameter ϕ_{Diw}	Overall pin count NT	Pitch circle diameter ϕ_{Dpw}	Outer diameter ϕ_{Dow}	Inner diameter ϕ_{Diw}					
	5	70	1559.72	1632	1487	60	1527.89	1608	1447					
	6	84	1871.66	1944	1799	72	1833.46	1914	1753					
	9	126	2807.49	2880	2735	108	2750.20	2831	2670					
	13	182	4055.27	4128	3983	156	3972.51	4053	3892					
	16	224	4991.10	5064	4919	192	4889.24	4970	4809					
Pin gear	No. of teeth NT	Pitch circle diameter $\phi_{D\alpha}$	Reference outer diameter $\phi_{D\sigma}$	Hub diameter ϕ_{DH}	Hub length LH	Shaft bore diameter ϕ_d		No. of teeth NT	Pitch circle diameter $\phi_{D\alpha}$	Reference outer diameter $\phi_{D\sigma}$	Hub diameter ϕ_{DH}	Hub length LH	Shaft bore diameter ϕ_d	
	12	273.98	321	170	160	43	100	12	312.78	365	190	160	43	110
	13	295.66	340	180	160	43	110	13	337.64	386	190	160	43	110
	14	317.94	377	180	160	43	110	14	363.11	432	200	180	43	120
	15	339.83	396	180	160	43	110	15	388.17	454	200	180	43	120
	16	362.11	416	190	160	43	110	16	413.64	477	210	200	43	130
24	538.76	582	210	190	63	130	24	615.55	665	240	230	63	150	
Frame no.		PDU090												
Pitch P		90												
Roller diameter ϕ		47.63												
Pin gear tooth width T		45												
Inside width W		52												
Overall width LW		90(S:76)												
Plate thickness t		19(S:12)												
Hollow pin hole dia. ϕ_{dm}		22												
Mounting bolt size		M20												
Pin wheel	No. of segments	Overall pin count NT	Pitch circle diameter ϕ_{Dpw}	Outer diameter ϕ_{Dow}	Inner diameter ϕ_{Diw}									
	5	—	—	—	—									
	6	66	1890.76	1987	1794									
	9	99	2836.14	2933	2740									
	13	143	4096.65	4193	4000									
	16	176	5042.03	5139	4946									
Pin gear	No. of teeth NT	Pitch circle diameter $\phi_{D\alpha}$	Reference outer diameter $\phi_{D\sigma}$	Hub diameter ϕ_{DH}	Hub length LH	Shaft bore diameter ϕ_d								
	12	352.77	413	220	190	43	130							
	13	380.42	438	220	190	43	130							
	14	409.07	486	230	210	43	140							
	15	437.32	511	230	210	63	140							
	16	465.97	536	240	230	63	150							
24	692.95	751	270	260	63	160								

Note: In the table above, "S" represents the dimensions for stainless steel models.



Pin wheel / rotary drive pin gear dimensions, Table ③ (PDU120 to PDU240)

(Unit: mm)

Frame no.		PDU120				PDU150								
Pitch <i>P</i>		120				150								
Roller diameter ϕ		63.5				79.38								
Pin gear tooth width <i>T</i>		60				75								
Inside width <i>W</i>		68				94								
Overall width <i>LW</i>		112				138								
Plate thickness <i>t</i>		22				22								
Hollow pin hole dia. ϕdm		32				39								
Mounting bolt size		M30				M36								
Pin wheel	No. of segments	Overall pin count <i>NT</i>	Pitch circle diameter ϕDpw	Outer diameter ϕDow	Inner diameter ϕDiw	Overall pin count <i>NT</i>	Pitch circle diameter ϕDpw	Outer diameter ϕDow	Inner diameter ϕDiw					
	9	72	2750.20	2901	2600	72	3437.75	3588	3287					
	10	80	3055.77	3206	2905	80	3819.72	3970	3669					
	13	104	3972.51	4123	3822	104	4965.63	5116	4815					
	16	128	4889.24	5040	4739	128	6111.55	6262	5961					
20	160	6111.55	6262	5961	160	7639.44	7790	7489						
Pin gear	No. of teeth <i>NT</i>	Pitch circle diameter ϕDa	Reference outer diameter ϕDo	Hub diameter ϕDH	Hub length <i>LH</i>	Shaft bore diameter ϕd		No. of teeth <i>NT</i>	Pitch circle diameter ϕDa	Reference outer diameter ϕDo	Hub diameter ϕDH	Hub length <i>LH</i>	Shaft bore diameter ϕd	
						Pilot bore	Max.						Pilot bore	Max.
	12	472.37	554	260	240	63	150	12	590.46	708	230	230	68	140
	13	508.56	615	270	250	63	160	13	635.7	746	250	250	68	150
	14	546.76	629	270	250	63	160	14	683.45	787	270	270	68	160
	15	582.96	680	280	260	63	170	15	728.7	827	290	290	68	180
16	621.15	703	280	260	63	170	16	776.44	872	310	310	68	190	
24	923.73	1006	320	320	68	200	24	1154.67	1250	460	460	68	280	
Frame no.		PDU180				PDU240								
Pitch <i>P</i>		180				240								
Roller diameter ϕ		95.25				127								
Pin gear tooth width <i>T</i>		90				120								
Inside width <i>W</i>		112				150								
Overall width <i>LW</i>		172				226								
Plate thickness <i>t</i>		30				38								
Hollow pin hole dia. ϕdm		45				52								
Mounting bolt size		M42				M48								
Pin wheel	No. of segments	Overall pin count <i>NT</i>	Pitch circle diameter ϕDpw	Outer diameter ϕDow	Inner diameter ϕDiw	Overall pin count <i>NT</i>	Pitch circle diameter ϕDpw	Outer diameter ϕDow	Inner diameter ϕDiw					
	9	63	3609.63	3810	3409	—	—	—	—					
	10	70	4010.71	4211	3810	—	—	—	—					
	13	91	5213.92	5414	5013	65	4965.63	5216	4715					
	16	112	6417.13	6618	6217	80	6111.55	6362	5861					
20	140	8021.41	8222	7821	100	7639.44	7890	7389						
Pin gear	No. of teeth <i>NT</i>	Pitch circle diameter ϕDa	Reference outer diameter ϕDo	Hub diameter ϕDH	Hub length <i>LH</i>	Shaft bore diameter ϕd		No. of teeth <i>NT</i>	Pitch circle diameter ϕDa	Reference outer diameter ϕDo	Hub diameter ϕDH	Hub length <i>LH</i>	Shaft bore diameter ϕd	
						Pilot bore	Max.						Pilot bore	Max.
	12	708.55	850	280	280	78	170	12	944.73	1137	370	370	78	230
	13	762.85	925	300	300	78	180	13	1017.13	1233	400	400	78	250
	14	820.14	945	320	320	78	200	14	1093.52	1264	430	430	78	260
	15	874.44	1023	340	340	78	210	15	1165.92	1364	460	460	78	280
16	931.73	1047	370	370	78	230	16	1242.31	1396	490	490	78	300	
24	1385.6	1500	550	550	78	340	24	1847.46	2000	730	730	78	450	

Note: Frame numbers PDU120 and above are for steel models only.

Selection Procedure

1. Pre-select the pitch circle diameter of the Pin Gear Drive Unit

For linear operation: Pre-select the pitch circle diameter of the pin gear based on the equipment layout.

For rotational operation: Pre-select the pitch circle diameter of the pin wheel to suit the size of the equipment. Determine the reduction gear ratio required, then pre-select the pitch circle diameter of the pin gear.

2. Calculate the applied tangential load (Fw)

Calculate the applied tangential load (Fw) that will act on the pin wheel or pin rack based on load conditions.

3. Calculate the corrected tangential load (Ft)

To calculate the corrected tangential load (Ft), obtain the service factor (Ks, Table 1) based on operating conditions, obtain the speed factor (Kv, Table 2) based on the tangential speed, and then multiply the product thereof by the applied tangential load (Fw).

$$F_t = K_s \times K_v \times F_w$$

4. Select the frame number of the Pin Gear Drive Unit

Using the allowable tangential load (Fp) of each pin wheel/pin rack frame number and the corrected tangential load (Ft), select the appropriate Pin Gear Drive Unit that satisfies the following condition:

$$\text{Allowable tangential load (Fp)} > \text{Corrected tangential load (Ft)}$$

5. Select the model number

Pin wheels: From the selected frame number and the pre-selected pin wheel pitch circle diameter, choose the quantity of rollers of the pin wheel closest to the pitch circle diameter.

Pin racks: From the selected frame number and the total running distance (or total movement distance), calculate the quantity of rack rollers.

Pin gears: From the selected frame number and the pre-selected pin gear pitch circle diameter, choose the model number of the pin gear with the number of teeth closest to the pitch circle diameter.

Note: There are limits to the extent to which numbers of gear teeth can be used. (See table below.)
If a gear does not have enough teeth, select a gear with a larger number of teeth.

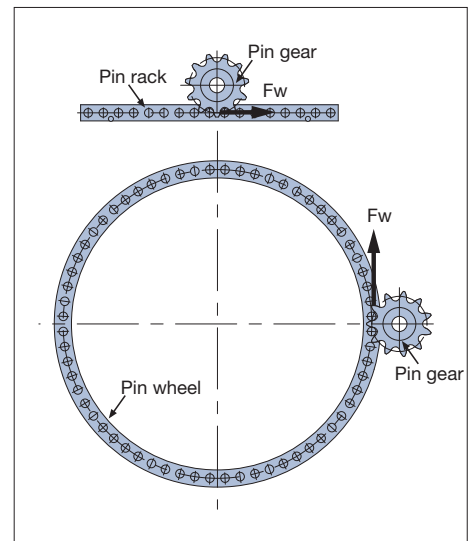


Table 1: Service factor (Ks)

Operation status	Operating hours/day		
	Up to 3 hrs	Up to 12 hrs	Up to 24 hrs
Even load	1.00(1.25)	1.15(1.40)	1.25(1.50)
Load with small impacts	1.25(1.50)	1.40(1.70)	1.60(2.00)
Load with large impacts	1.50(1.80)	1.75(2.15)	2.00(2.50)

Note: Use values in parentheses if operation stops 10 or more times an hour.

Table 2: Speed factor (Kv)

Tangential speed m/min								
0	10	15	20	25	30	35	40	50
1.02	1.04	1.05	1.06	1.06	1.07	1.08	1.1	1.2

Applicable number of teeth range for pin gears

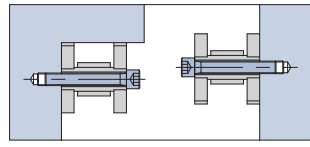
○: Applicable △: Applicable, but tangential load may be reduced in certain applications. Consult Tsubaki for details.
X: Not applicable due to insufficient contact ratio

No. of teeth NT	Linear rack	Outer drive pin wheel								Inner drive pin wheel						
		60	70	80	100	150	200	250	300	60	70	80	100	150	200	250
11	X	X	X	X	X	X	X	X	X	○	○	○	○	X	X	X
12	△	X	X	X	X	X	X	X	X	○	○	○	○	○	○	○
13	○	X	X	X	X	X	△	△	△	○	○	○	○	○	○	○
14	○	X	X	△	△	△	△	△	△	○	○	○	○	○	○	○
15	○	△	△	△	△	△	△	△	△	○	○	○	○	○	○	○
16	○	△	△	△	△	△	△	△	△	○	○	○	○	○	○	○
17	○	△	△	△	△	△	△	△	○	○	○	○	○	○	○	○
18	○	△	△	△	△	△	△	○	○	○	○	○	○	○	○	○
19	○	△	△	△	△	○	○	○	○	○	○	○	○	○	○	○
20	○	△	△	△	○	○	○	○	○	○	○	○	○	○	○	○
21	○	△	△	○	○	○	○	○	○	○	○	○	○	○	○	○
22	○	△	○	○	○	○	○	○	○	○	○	○	○	○	○	○
23	○	△	○	○	○	○	○	○	○	○	○	○	○	○	○	○
24 or more	○	○	○	○	○	○	○	○	○	○	○	○	○	○	○	○

Installation

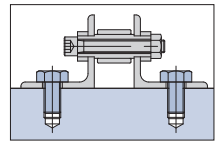
Installation method

Horizontal pin rack / pin wheel



The side of the rack/wheel can be attached to the device with a bolt using the hole in the hollow pin. When installing, a stopper or guide can be fixed to the projected surface to position the wheel.

Vertical pin rack



Angle racks can be attached to the device using the mounting bolt holes on the feet of the rack.

Mounting bolt position

At least the minimum number of bolts (see table below) must be used at both ends of each segment and at regularly spaced intervals in between.

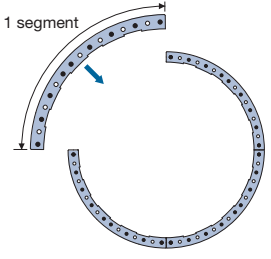
Minimum mounting bolt quantity per segment (for horizontal installation)

Type	Frame no.	Mounting bolt size	Minimum qty
Steel	PDU020	M4	8
	PDU022	M4	13
	PDU030	M6	10
	PDU035	M8	8
	PDU040	M10	7
	PDU050	M12	6
	PDU055	M12	9
	PDU070	M16	6
	PDU080	M16	7
	PDU090	M20	6
	PDU120	M30	4
	PDU150	M36	6
	PDU180	M42	6
	PDU240	M48	5

Type	Frame no.	Mounting bolt size	Minimum qty
Stainless steel	PDU020	M4	8
	PDU022	M4	13
	PDU030	M6	10
	PDU035	M8	8
	PDU040	M10	7
	PDU050	M12	6
	PDU055	M12	9
	PDU070	M16	6
	PDU080	M16	7
	PDU090	M20	6

Example:
Bolt mounting: PDU050-GPF064P 4-segment model
Mounting position: See figure below (Mounting bolt positions indicated by black dots.)

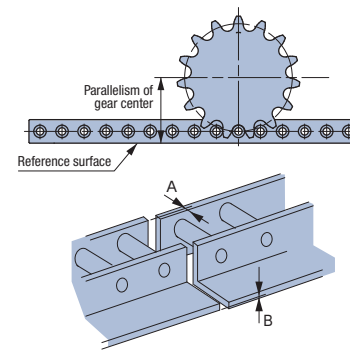
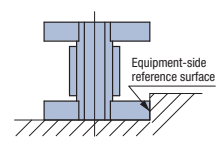
PDU050 requires a minimum of six M12 mounting bolts. Install at least six bolts per segment as evenly as possible. Contact Tsubaki if you are unsure about installation.



Installation Precision

Pin wheels: Projections on the pin wheel frame share the same centers as the roller mounting holes, so projections can be used as a reference surface for centering when fitting the pin wheel into the pilot section on the equipment. The precision of equipment pilot section must be finished within the precision of pilot section runout indicated in the table below.

Pin racks: Ensure that the parallelism of the equipment-side reference surface of the pin rack and the pin gear center is equal to or less than the indicated gear center parallelism in the table below by ensuring that the machine is correctly aligned in advance. Ensure that the alignment along the A and B axes of adjoining pin racks is within the tolerance indicated in the table below.



Note: Always read the instruction manual before installing.

(Unit: mm)

Frame no.		PDU020	PDU022	PDU030	PDU035	PDU040	PDU050	PDU055	PDU070	PDU080	PDU090	PDU120	PDU150	PDU180	PDU240
Linear drive	Parallelism of gear center	0.3	0.3	0.4	0.5	0.6	0.7	0.8	0.9	1.0	1.2	1.6	2.0	2.4	3.2
	Misalignment tolerance of A and B axes	0.1	0.2	0.2	0.3	0.3	0.4	0.4	0.5	0.5	0.6	0.8	1.0	1.2	1.5
Rotary drive	Precision of pilot section runout	0.3	0.3	0.4	0.5	0.6	0.7	0.8	0.9	1.0	1.2	1.6	2.0	2.4	3.2

Lubrication

Lubrication is very important in pin gear drives. Coat all roller outer surfaces with an extreme-pressure grease before operation. Inner surfaces of the pin rack and the pin wheel rollers have already been greased. Refer to the instruction manual for details.

Corrosion Resistance Guide for Stainless Steel Pin Gear Drive Units

Refer to the "AS" column under "Corrosion-resistant drive chain" of the table on page 213. Corrosion resistance varies depending on application conditions. The table on page 213 should not be considered as a guarantee. Using this table as a reference, be sure to check the corrosion resistance of the product in advance according to the actual operating conditions determining product type.

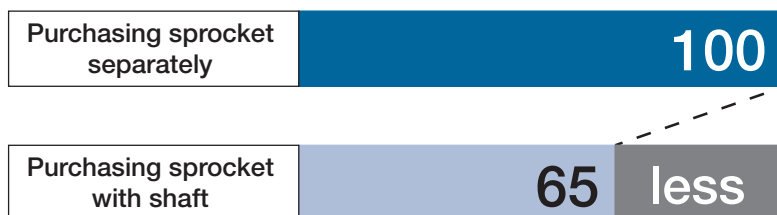
Pin Gear Drives Sprocket & Shaft Sets

We manufacture the sprocket together with the shaft and deliver them as a set. There is no need for the customer to assemble them together, leading to higher cost effectiveness.

Features

- No need to assemble the shaft into the sprocket.
- No need to inspect the shaft upon receipt. We can also provide an inspection report with the inspection results. (Separate fee required.)
- Can be attached as-is to your equipment after receipt. (Bearings and the like can also be included in the assembly upon request.)
- Sprocket and shaft are sourced from the same supplier, which can reduce time needed for oversight compared to ordering from separate suppliers.

Comparison of time needed to install in equipment



There is no need to assemble the shaft into the sprocket, saving 30 to 35% in mounting time.

Specifications

Shaft pre-assembled

Shaft and sprocket are manufactured together and delivered assembled



Shaft integrated

Shaft is machined as part of the sprocket



- Available for Lock Sprockets as well.
- Phasing and other assembly conditions available.

Indicate the Following on Your Request for Quotation

- Sprocket specifications
- Phasing or other assembly instructions
- Shaft drawing or other material that indicates dimensions
- Parts included in assembly (shaft, keys, bearings, etc.) (Contact a Tsubaki representative regarding bearings.)
- Coatings, plating, etc.
- Documents needed from Tsubaki: Delivery drawings, inspection results, etc.

Chain Tensioners

The Tsubaki Chain Tensioner adjusts slackness in the chain to enable continuous and proper chain operation.



TCS Type

FR Idler Sprockets

Bearing with hub that reliably transmits rotation.



FR Idler Sprocket

Chain Cutting Tools

These tools enable chains to be cut to the desired length.



Chain Breaker



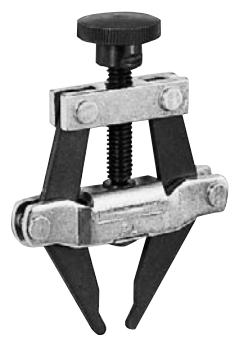
Chain Vise



Punch

Chain Connecting Tools

This tool pulls the two ends of the chain together when installing the chain on a machine.



Chain Puller

End Fixtures

The end fitting bolts and end-fitting-bolt connecting links are designed to be stronger than those of RS Roller Chains.



End Fitting Bolt



End-Fitting-Bolt Connecting Link

Automatic Lubricators for Roller Chain

- 1. Highly safe and highly reliable
- 2. Operational period can be freely set
- 3. Reduces maintenance time



Automatic Lubricator for Roller Chain

Easy-Laser

Easy-Laser makes it easy to check for misalignments in the sprocket installation and make adjustments just by shining the laser beam on the sprockets.



Easy-Laser

Chain Elongation Scales

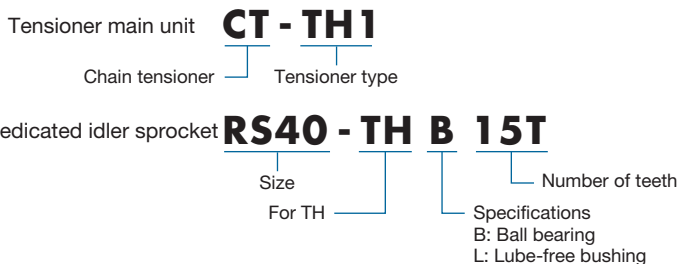
Allows quick checks of pitch elongation limit.



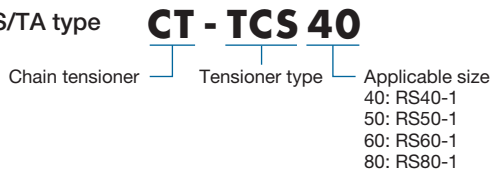
Chain Elongation Scale

Model numbering example

◆ TH type



◆ TCS/ETS/TA type

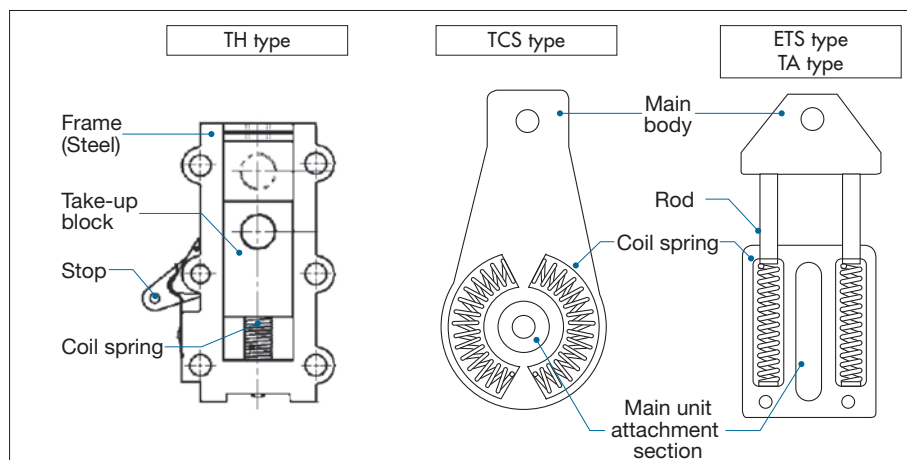


Slackness in the chain can cause chain vibration and noise, and improper engagement with the sprocket, as well as preventing the chain from operating properly. The Tsubaki Chain Tensioner adjusts slackness in the chain to enable continuous and proper chain operation. There are four types of Tsubaki Chain Tensioners: Our new TH Type (straight type, with idler sprocket), the TCS Type (swing type, with idler sprocket), the ETS Type (straight type, with idler sprocket), and the TA Type (straight type, with plastic shoe).

Note: Customized models are not available.

Construction

◆ Main unit



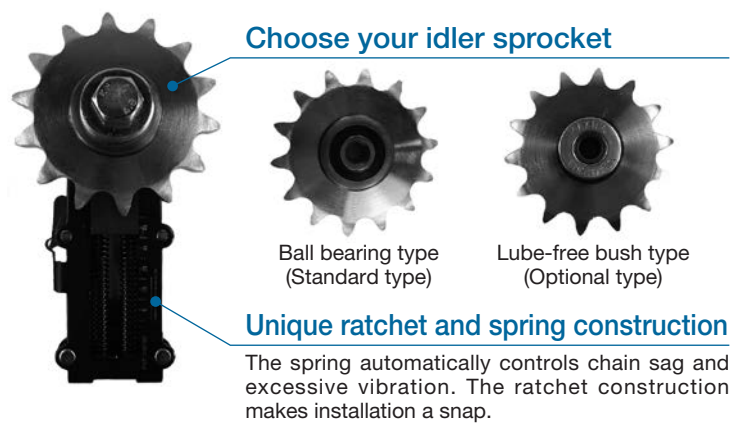
The Tsubaki Chain Tensioner is composed of a main unit and an idler sprocket. (The TA Type is a unitized construction with plastic shoe.) The tensioner's main unit employs the elasticity of a built-in coil spring to tension.

◆ Idler sprocket

The idler sprocket is composed of a sprocket with a built-in bearing (TH Type provided with a lube-free bush upon request), an attachment bolt, and a washer. The sprocket teeth undergo induction hardening. TCS and ETS Types are given a black coating, while TH Type is plated.

Product Type

TH type: Straight type, with idler sprocket



Applicable chain

- CT-TH1: For RS35-1 and RS40-1
- CT-TH2: For RS50-1, RS60-1, and RS80-1

TH type main unit attachment bolt

Model number	Applicable size	Sprocket no. of teeth	Sprocket attachment bolt	
			Size	Length
CT-TH1	RS35-1	20	M12	45
	RS40-1	15		
CT-TH2	RS50-1	15	M12	55
	RS60-1	14		
	RS80-1	11		

Note: All models stocked.

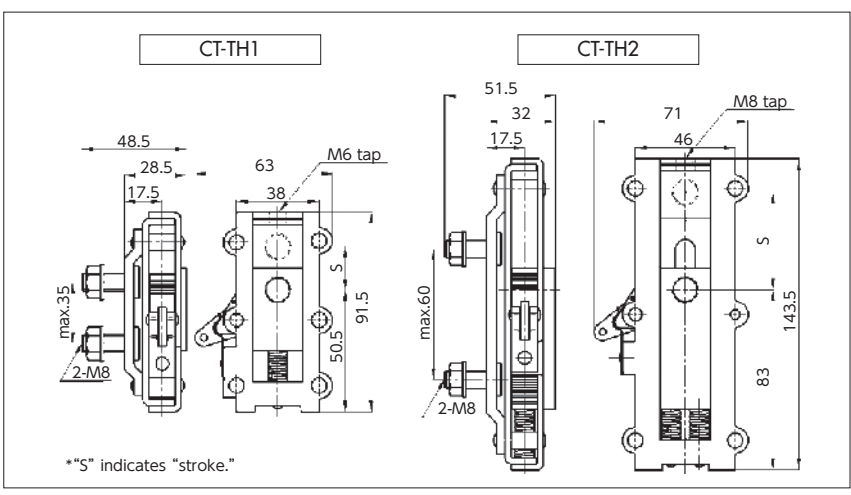
Specifications

Model number	Stroke S (mm)	Plunge force (N)	
		Min.	Max.
CT-TH1	25	39.2	117.6
CT-TH2	45	98.0	294.0

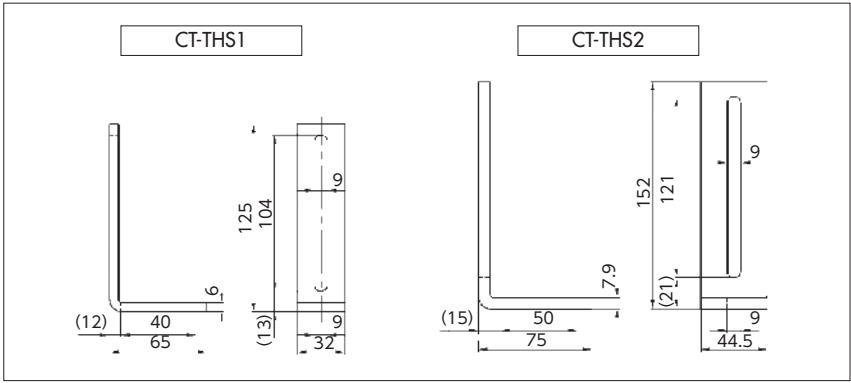
Accessories

Each package will contain the following. Adapter and dedicated idler sprocket are not included.

Contains	Dimensions	CT-TH1	CT-TH2
Hexagonal bolt	M12×45L	1	-
	M12×55L	-	1
Hexagonal screw	M6×35L	1	-
	M8×55L	-	1
Round head screw	M8×23L	2	2
Hex key		1	1
Spacer	Thickness: 3mm	1	3



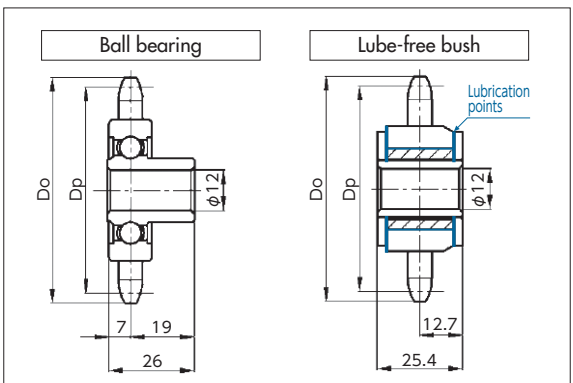
Adapter (fixed washer)



Model number	Chain tensioner
CT-THS1	CT-TH1
CT-THS2	CT-TH2

Note: All models stocked.

Idler sprocket for TH Series



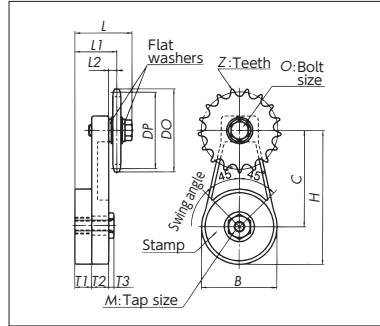
Specifications

	Model number	Idler no. of teeth	Pitch dia. (Dp)	Outer dia. (Do)	Max. RPM	Allowable bearing load (N)
Ball bearing type	RS35-THB20T	20	60.89	66	3000	3300
	RS40-THB15T	15	61.08	67		
	RS50-THB15T	15	76.35	84		
	RS60-THB14T	14	85.61	95		
	RS80-THB11T	11	90.16	102		
Lube-free bush type	RS35-THL20T	20	60.89	66	2500	343
	RS40-THL15T	15	61.08	67		
	RS50-THL15T	15	76.35	84		
	RS60-THL14T	14	85.61	95		

Note: All models stocked. Thoroughly lubricate sliding areas of lube-free bush type idler sprockets before use.

Product Type

TCS type: Swing type, with idler sprocket



TCS type main unit attachment bolt

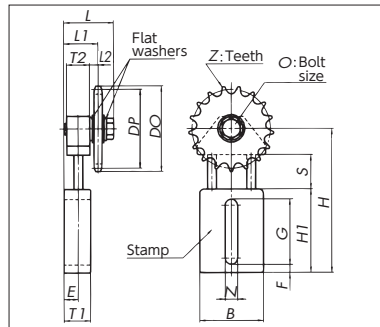
Model number	Sprocket no. of teeth	Sprocket mounting bolt				Flat washer		Tensioner mounting bolt
		Size	Length	Strength classification	Quantity	Nominal	Quantity	
CT-TCS40	17	M10	30	10.9	1	10	2	M10
CT-TCS50	15	M10	30	10.9	1	10	2	M10
CT-TCS60	13	M12	35	10.9	1	12	2	M12
CT-TCS80	11	M12	35	10.9	1	12	4	M12

- Note: 1. Only the CT-TCS80 has two washers installed on each side.
 2. The swing angle of CT-TCS60 and CT-TCS80 is 30°.
 3. Tensioner mounting bolt not included with tensioner.
 4. Operating temperature: -10°C to 100°C

Model number	Applicable chain	B	C	H	M	T1	T2	T3	Z	DP	DO	O	L	L1	L2	Plunge force kN{kgf}	Approx. mass kg/unit
CT-TCS40	RS40-1	69	86.5	121	M10	15.5	15.5	5	17	69.12	76	M10	50.5	37.5	6.5	0{0} to 0.15{15}	0.74
CT-TCS50	RS50-1	69	86.5	121	M10	15.5	15.5	5	15	76.35	84	M10	50.5	37.5	6.5	0{0} to 0.15{15}	0.82
CT-TCS60	RS60-1	90	100	145	M12	18	18	7	13	79.60	89	M12	60.5	44.5	8.5	0{0} to 0.39{40}	1.30
CT-TCS80	RS80-1	90	100	145	M12	18	18	7	11	90.16	102	M12	65.5	47	11	0{0} to 0.39{40}	1.52

Note: All models stocked.

ETS type: Straight type, with idler sprocket



ETS type main unit attachment bolt

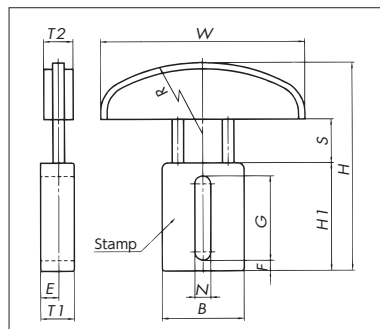
Model number	Sprocket no. of teeth	Sprocket mounting bolt				Flat washer		Tensioner mounting bolt
		Size	Length	Strength classification	Quantity	Nominal	Quantity	
CT-ETS40	17	M10	35	10.9	1	10	2	M10
CT-ETS50	15	M10	35	10.9	1	10	2	M10
CT-ETS60	13	M12	45	10.9	1	12	2	M12
CT-ETS80	11	M12	45	10.9	1	12	4	M12

- Note: 1. Only the CT-ETS80 has two washers installed on each side.
 2. Tensioner mounting bolt not included with tensioner.
 3. Lubricate the rod section regularly.
 4. Operating temperature: -10°C to 100°C

Model number	Applicable chain	S	H	H1	F	G	B	N	T1	T2	E	Z	DP	DO	O	L	L1	L2	Plunge force kN{kgf}	Approx. mass kg/unit
CT-ETS40	RS40-1	30	129	74	7	58	56.2	11	23	20	12.5	17	69.12	76	M10	42	29	6.5	0.10{10} to 0.25{25}	0.60
CT-ETS50	RS50-1	30	129	74	7	58	56.2	11	23	20	12.5	15	76.35	84	M10	42	29	6.5	0.10{10} to 0.25{25}	0.69
CT-ETS60	RS60-1	38	163	87	9	70	70.5	12.5	28	25	15	13	79.60	89	M12	52	36	8.5	0.15{15} to 0.39{40}	1.15
CT-ETS80	RS80-1	38	163	87	9	70	70.5	12.5	28	25	15	11	90.16	102	M12	57	38.5	11	0.15{15} to 0.39{40}	1.37

Note: All models stocked.

TA type: Straight type, with plastic shoe



TA type main unit attachment bolt

Model number	Main unit attachment bolt	Model number	Main unit attachment bolt
CT-TA40	M10	CT-TA60	M12
CT-TA50	M12	CT-TA80	M14

- Note: 1. Tensioner mounting bolt not included with tensioner.
 2. Lubricate the rod section regularly.
 3. Operating temperature: -10°C to 60°C

Model number	Applicable chain	S	H	H1	F	G	B	N	T1	E	W	R	T2	Plunge force kN{kgf}	Approx. mass kg/unit
CT-TA40	RS40-1/ RS09B-1	30	143	74	7	58	56.2	11	23	12.5	140	120	20	0.10{10} to 0.25{25}	0.39
CT-TA50	RS50-1/ RS10B-1	38	164	87	9	70	70.5	12.5	28	15	140	140	22	0.15{15} to 0.39{40}	0.65
CT-TA60	RS60-1/ RS12B-1	38	164	87	9	70	70.5	12.5	28	15	140	140	22	0.15{15} to 0.39{40}	0.65
CT-TA80	RS80-1/ RS16B-1	44	187	104	9	86	82	14.5	33	17.5	140	160	25	0.29{30} to 0.59{60}	0.99

Note: All models stocked.

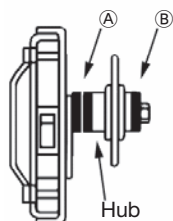
Note: Always install chain tensioners on the roller chain sag side. Tensioners cannot be installed on the tension side or used when the chain is run backwards.

Installation

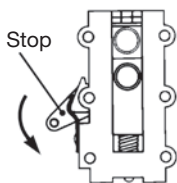
◆ Attaching the TH type tensioner

1. Always insert the spacer where indicated (positions A & B) as shown to the right when installing the idler sprocket on the tensioner. (Failure to insert the spacer will result in tensioner contact with the roller chain. See the table below.)

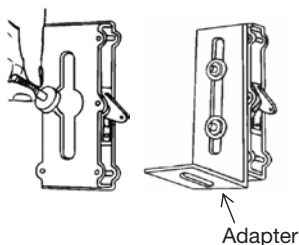
Attach the hub so that it faces the tensioner when installing ball bearing type idler sprockets. When attaching on the opposite side, install the number of spacers indicated in parentheses in the table below.



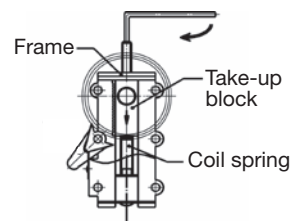
2. The tensioner stop should be positioned facing down (spring facing down) as per the figure on the right.



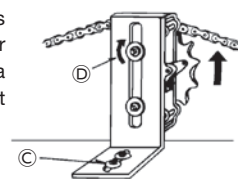
3. Once the round head bolts are attached to the tensioner as shown, attach the adapter and tighten the nuts just until snug.



4. Attach a hexagonal screw to the tap hole on the end of the tensioner. Use the hex key to tighten the screw, and push the take-up block down as far as possible. (Caution: Failure to perform action "2." above will prevent the take-up block from being pushed down.)



5. Once the drive and driven sprockets have been aligned, fix the adapter to the attachment area using a commercially available mounting bolt ("C" in figure).



6. Once the chain is engaging the sprocket, tighten the adapter mounting nuts ("D" in figure). Next, after inverting the tensioner stop as shown by the arrow in the figure above, removing the hexagonal screw will activate the spring. Installation is now complete. Check the condition of the roller chain sag and the installation itself.

■ Number of spacers

Idler sprocket		Number of spacers	
Type	Model number	"A" side in figure	"B" side in figure
Ball bearing	RS35-THB20T	0 (1)	1 (0)
	RS40-THB15T	0	1
	RS50-THB15T	0 (3)	3 (0)
	RS60-THB14T	0	3
	RS80-THB11T	2	1
Lube-free bush	RS35-THL20T	0	1
	RS40-THL15T	1	0
	RS50-THL15T	2	1
	RS60-THL14T	3	0

■ Attachment bolt locking torque

(Unit: N·m {kgf·m})

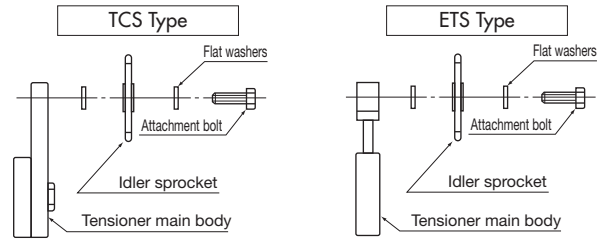
	Idler sprocket attachment bolt	Tensioner attachment bolt
CT-TH-1	40 {4.0}	12{1.2}
CT-TH-2	40 {4.0}	12{1.2}

Installation

◆ **TCS and ETS type assembly**

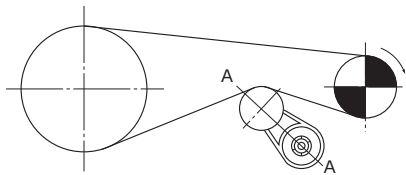
Remove the main unit of the TCS or ETS type tensioner, the idler sprocket, attachment bolt and washers from their packaging, and assemble them as shown in the diagram on the right. The plastic shoe for the TA type comes as part of the main unit and no assembly is required.

One flat washer should be installed on each side of the idler sprocket. However, the CT-TCS80 and CT-ETS80 should have two washers installed on each side. The idler sprocket attachment bolt and flat washers are included with the idler sprocket.



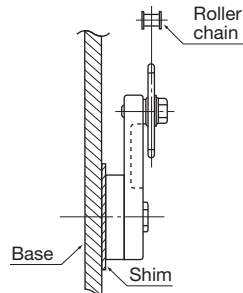
◆ **Attaching the TCS type tensioner**

1. Attach the roller chain to the drive and driven sprockets.
2. In order to attach the tensioner to the slack side of the roller chain as shown in the figure below, first push in on the roller chain with the idler sprocket and determine the attachment position (bolt hole) for the tensioner.



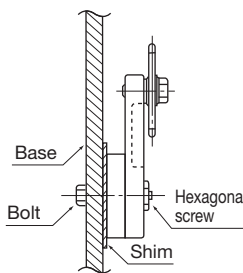
3. Then, within a range where the roller chain does not contact the tensioner unit, ensure the force of the roller chain moves as perpendicular to the A-A line. (Tensioner is a swing type unit.)

4. Adjust with a shim, as shown to the right, so that the center of the roller chain and idler sprocket are aligned.



5. Open a hole in the base that holds the tensioner. (A slotted hole is convenient.)

6. Push in on the chain with the tensioner and temporarily tighten the tensioner to the base with a bolt. (Right figure) Then tighten the hexagonal screw and anchor so that the swing angle is about 15°.

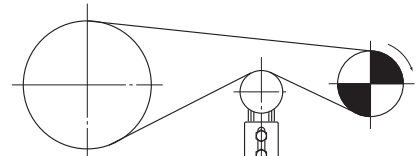


7. Perform a test operation and check whether the tensioner works properly. If any of the following occurs, reset the tensioner.
 - Contacts the side of the idler sprocket: Not centered properly
 - Vertical or traverse vibration: Insufficient initial tension
 - Increased noise: Excessive initial tension

◆ **Attaching the ETS and TA type tensioners**

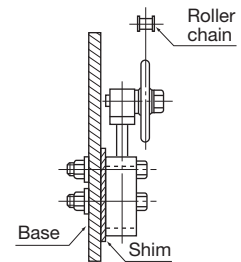
1. Push in on the roller chain with the tensioner's idler sprocket (see figure below) and determine the position of the hole on the attachment base.

Note: Cannot be used for horizontal drive configurations where shafts are perpendicular to the floor.

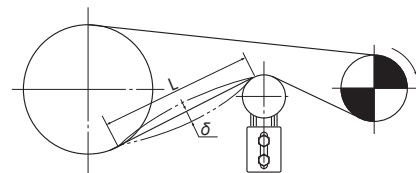


2. Open a hole in the attachment base. In this case, two bolt holes are required, but a hole that is as long as possible will make positioning simpler, and the re-tensioning operation will be easier when the chain elongates.

3. Temporarily tighten the tensioner with two bolts. At this time, adjust with a shim, etc., so that the center of the idler sprocket and roller chain are aligned. (Right figure)



4. Push in on the chain with the tensioner and, if the amount of slack is appropriate (δ), tighten the nut and anchor the tensioner. Aim for a value less than $\delta = 0.02 \times L$. (Figure below)



5. Perform a test operation and check whether the tensioner works properly. If any of the following occurs, reset the tensioner.

- Contacts the side of the idler sprocket: Not centered properly
- Vertical or traverse vibration: Insufficient initial tension
- Increased noise: Excessive initial tension

■ **Attachment bolt locking torque**

(Unit: N·m {kgf·m})

	Idler sprocket attachment bolt	Tensioner attachment bolt
CT-TCS40,50	20 {2.0}	40 {4.0}
CT-TCS60,80	30 {3.0}	50 {5.0}
CT-ETS40,50	30 {3.0}	30 {3.0}
CT-ETS60,80	40 {4.0}	40 {4.0}
CT-TA40	-	30 {3.0}
CT-TA50,60	-	40 {4.0}
CT-TA80	-	50 {5.0}

Note: Always install chain tensioners on the roller chain sag side. Tensioners cannot be installed on the tension side or used when the chain is run backwards.

Free Running

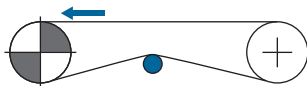
Bearing units with hubs provide stable rotation!

Idler sprockets are a must with chain drives, and Tsubaki offers a wide variety of idler sprockets to choose from.

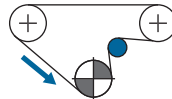


Application Examples

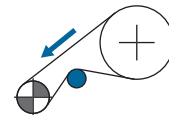
◆ Take up slack on long center distances



◆ Function as a center idler on drives with multiple shafts



◆ When chain wrap angle is insufficient



Model/Series

1. Chain number and number of teeth (all teeth hardened)

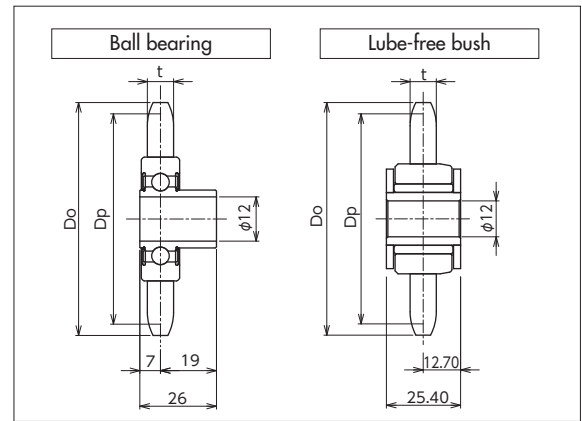
	9	10	11	12	13	14	15	16	17	18	19	20	21	22	23	24	25
RS35										●	●	●	●	●	●	●	●
RS40						●	●	●	●	●	●	●					
RS50			●	●	●	●	●	●	●								
RS60		●	●	●	●	●											
RS80	●	●	●	●	●												

2. Bearing series

- ◆ Ball bearing series (B)
- ◆ Lube-free bush series (L)

3. Surface treated series (photos above show plated idlers)

- ◆ No plating (N)
- ◆ Electroless nickel phosphorous plating (K)



List of Model Numbers and Dimensions

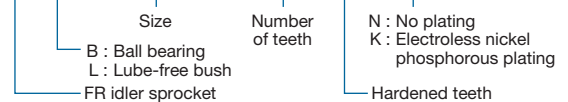
All models have hardened teeth

Model number	Chain	No. of teeth N	Pitch dia. Dp (mm)	Outer dia. Do (mm)	Tooth width t (mm)
FR□ - RS35 - 18TQ - ■	RS35	18	54.85	60	4.4
FR□ - RS35 - 19TQ - ■		19	57.87	63	
FR□ - RS35 - 20TQ - ■		20	60.89	66	
FR□ - RS35 - 21TQ - ■		21	63.91	69	
FR□ - RS35 - 22TQ - ■		22	66.93	72	
FR□ - RS35 - 23TQ - ■		23	69.95	75	
FR□ - RS35 - 24TQ - ■		24	72.97	78	
FR□ - RS35 - 25TQ - ■	25	76.00	81		
FR□ - RS40 - 14TQ - ■	RS40	14	57.07	63	7.3
FR□ - RS40 - 15TQ - ■		15	61.08	67	
FR□ - RS40 - 16TQ - ■		16	65.10	71	
FR□ - RS40 - 17TQ - ■		17	69.12	75	
FR□ - RS40 - 18TQ - ■		18	73.14	78	
FR□ - RS40 - 19TQ - ■		19	77.16	83	
FR□ - RS40 - 20TQ - ■		20	81.18	88	
FR□ - RS50 - 12TQ - ■	RS50	12	61.34	68	8.9
FR□ - RS50 - 13TQ - ■		13	66.33	73	
FR□ - RS50 - 14TQ - ■		14	71.34	79	
FR□ - RS50 - 15TQ - ■		15	76.35	84	
FR□ - RS50 - 16TQ - ■		16	81.37	89	
FR□ - RS50 - 17TQ - ■	17	86.39	94		
FR□ - RS60 - 11TQ - ■	RS60	11	67.62	76	11.9
FR□ - RS60 - 12TQ - ■		12	73.60	82	
FR□ - RS60 - 13TQ - ■		13	79.60	89	
FR□ - RS60 - 14TQ - ■		14	85.61	95	
FR□ - RS80 - 9TQ - ■	RS80	9	74.26	85	15.0
FR□ - RS80 - 10TQ - ■		10	82.20	93	
FR□ - RS80 - 11TQ - ■		11	90.16	101	
FR□ - RS80 - 12TQ - ■		12	98.14	108	
FR□ - RS80 - 13TQ - ■		13	106.14	118	

Enter the bearing code (B/L) in the white boxes and surface treatment code (N/K) in the black boxes. All models are made-to-order.

Model numbering example

FR B - RS40 - 15TQ - N



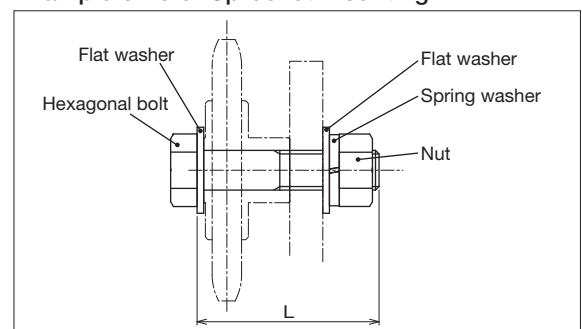
Idler Bolt Set Models



Model no.	Size	L(mm)
FR-PS45	M12	45
FR-PS55		55
FR-PS70		70

Accessories
Comes with one (1) bolt, one (1) nut, three (3) flat washers, and one (1) spring washer. (Surface treatment: trivalent chromate)
All models are made-to-order.

Example of Idler Sprocket Mounting

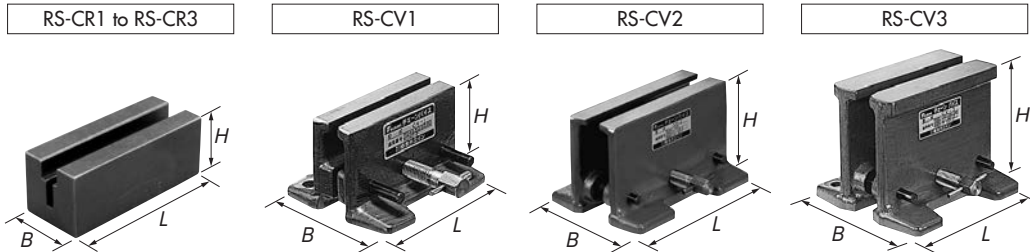


Accessories Chain Cutting/Connecting Tools

Chain Cutting Tools

Tsubaki provides roller chains in either unit lengths (3048 mm) or reels. The following tools are available for cutting the chain to a desired length. See "Handling Roller Chains and Sprockets" for use.

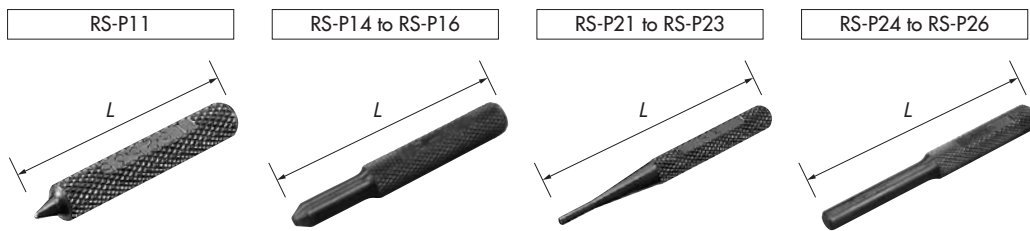
Chain Vises



Model number	Applicable chain			Dimensions		
	1-strand	2-strand	3-strand	L	H	B
RS-CR1	RS15	—	—	50	16.4	20
RS-CR2	RS25	—	—	50	19	20
RS-CR3	RS35	—	—	60	30	30
RS-CV1	RS40 to 80	RS40	—	100	65	94 to 115
RS-CV2	RS40 to 160	RS40 to 100	RS40 to 100	180	110	120 to 151
RS-CV3	RS80 to 240	RS80 to 160	RS80 to 100	200	170	180 to 220

Note: Items in bold are stocked.

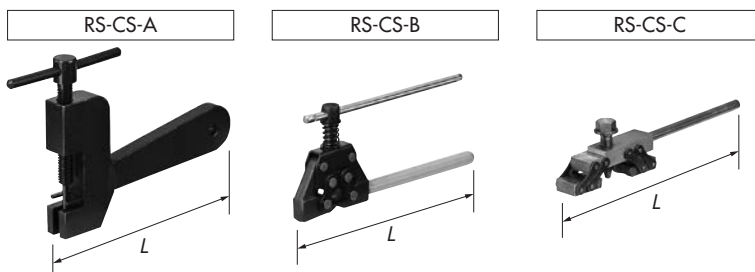
Punches



Primary punch		Secondary punch		Applicable chain
Model number	L	Model number	L	
RS-P11	52	RS-P21	65	RS15
		RS-P22	70	RS25
		RS-P23	80	RS35
RS-P14	60	RS-P24	80	RS40 to 60
RS-P15	70	RS-P25	90	RS80 to 120
RS-P16	80	RS-P26	120	RS140 to 240

Note: 1. Items in bold are stocked.
2. RS-P11 is for RS15, RS25, and RS35 chains.

Chain Breakers

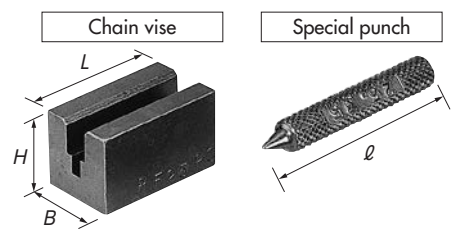


Model number	L	Applicable chain (1-strand)	Model number	L	Applicable chain (1-strand & multi-strand)
RS-CS-A1	116	RS25	RS-CS-B1	185	RS40 to 60
RS-CS-A2	119	RS35	RS-CS-C1	222	RS80/100
RS-CS-A3	119	RS38/RS41	RS-CS-C2	290	RS120/140
RS-CS-A4	119	RF06B	RS-CS-C3	708	RS160 to 240

Note: 1. Items in bold are stocked.
2. Chain breakers for BS/DIN Roller Chain also available.
3. Not for use with RS35-LMC chain.
4. RS-CS-A3 cannot be used on RS40 chain.

Poly Steel Chain Cutting Tools

A special punch and vise for Poly Steel Chains are required.

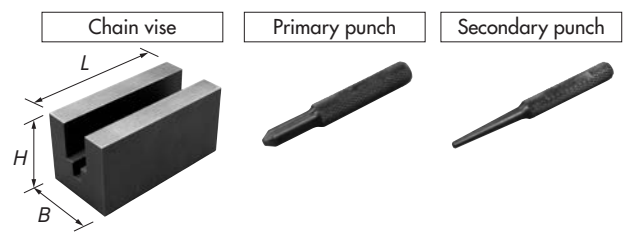


Model number	L	H	B	φ	Applicable chain
RS-PC01-AST	35	20	20	52	RS25-PC-1
RS-PC02-AST	50	30	30	52	RS35-PC-1
RS-PC03-AST	65	35	35	56	RS40-PC-1
RS-PC04-AST	80	40	35	56	RS50-PC-1
RS-PC05-AST	100	45	40	56	RS60-PC-1

Note: 1. Items in bold are stocked.
2. Special punch and vise are included as a set.

LAMBDA Chain Cutting Tools

A special vise and a primary and secondary punch are required to disassemble Lambda Chains.



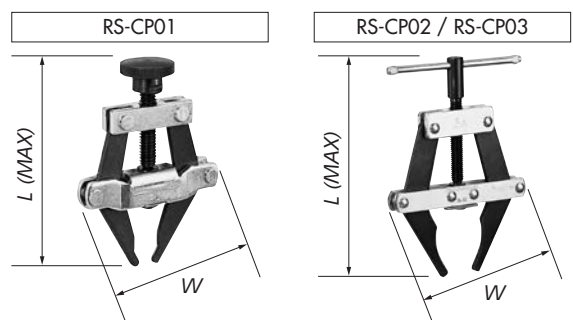
Model number	L	H	B	Applicable chain
RS-LMD01-AST	65	32	32	RS40-LMD-1
RS-LMD02-AST	80	40	40	RS50-LMD-1
RS-LMD03-AST	95	48	48	RS60-LMD-1
RS-LMD04-AST	130	60	60	RS80-LMD-1
RS-LMD05-AST	160	73	73	RS100-LMD-1
RS-LMD06-AST	160	88	88	RS120-LMD-1
RS-LMD07-AST	180	98	98	RS140-LMD-1
RS-LMD08-AST	200	114	114	RS160-LMD-1

Note: 1. Items in bold are stocked.
2. Special punch and vise are included as a set.
Punch dimensions are the same as for punches on page 179.

Chain Connecting Tools

Chain Puller

This tool pulls the two ends of the chain together when installing the chain on a machine.



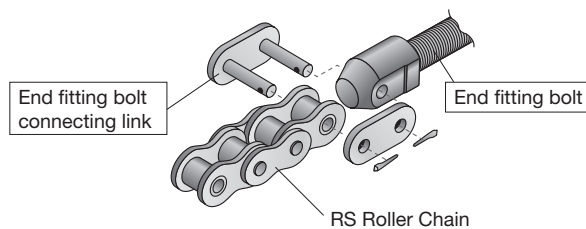
Model number	L	W	Applicable chain (1-strand)
RS-CP01	118	70	RS35~RS60
RS-CP02	185	112	RS60~RS100
RS-CP03	250	145	RS80~RS240

Note: Items in bold are stocked.

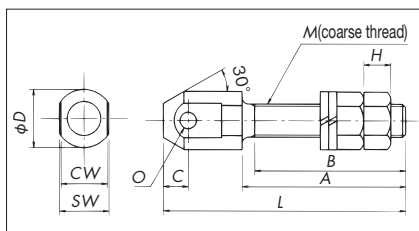
Accessories End Fixtures

An end fitting bolt can be mounted on RS Roller Chains and Super Series Chains. It has strength equal to or greater than that of the RS Roller Chain or Super Series Chain, and is connected to the chain with appropriate clearance to enable the full performance of the roller chain to manifest.

Strength when the end fitting bolt and the special connecting link are connected is the same as the main chain.



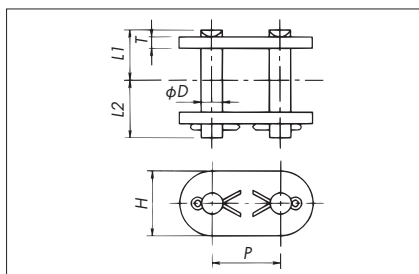
End Fitting Bolts



Model number	Applicable chain	L	A	B	C	M	O	D	CW	SW	H	Approx. weight kg/unit
RS40EB	RS40-1	61.0	41.5	38	6.0	M8	4.00	15	11.2	13.0	6.5	0.04
RS50EB	RS50-1	72.5	48.5	44	7.5	M10	5.12	19	13.8	17.0	8.0	0.07
RS60EB	RS60-1	89.1	60.0	55	9.1	M12	5.99	21	17.8	19.0	10.0	0.12
RS80EB	RS80-1	117.1	79.0	73	12.1	M16	7.98	28	22.6	24.0	13.0	0.27
RS100EB	RS100-1	145.1	98.0	91	15.1	M20	9.58	34	27.5	30.0	16.0	0.51
RS120EB	RS120-1	173.1	117.0	108	18.1	M24	11.15	40	35.5	35.5	19.0	0.86

- Note: 1. SW dimensions are designed for wrench use.
 2. Uses old JIS B1181 (type 1) nuts and JIS B1251 spring washers.
 3. Black coating.
 4. Items in bold are stocked.
 5. Customized models are also available for multi-strand roller chains as well as chains with other specifications. Please contact a Tsubaki representative with your desired A, B, (L-A-B), and M dimensions.

End Fitting Bolt Connecting Links



Model number	Applicable chain	P	H	D	T	L1	L2	Approx. weight kg/unit
RS40EB-JL	RS40-1	12.70	12.0	3.97	2.0	8.8	10.2	0.01
RS50EB-JL	RS50-1	15.875	15.0	5.09	2.4	10.7	12.3	0.02
RS60EB-JL	RS60-1	19.05	18.1	5.96	3.2	13.95	16.05	0.04
RS80EB-JL	RS80-1	25.40	24.0	7.94	4.0	17.45	20.05	0.09
RS100EB-JL	RS100-1	31.75	28.6	9.54	4.8	20.95	23.65	0.156
RS120EB-JL	RS120-1	38.10	34.4	11.11	5.6	26.05	29.55	0.264

- Note: 1. Use an F-type connecting link if there is a risk of lateral forces acting on the end bolt.
 2. Contact a Tsubaki representative regarding connecting/end links with different shapes.
 3. Items in bold are stocked.

Safety Precautions

- ◆ Use only RS Roller Chains or Super Chains. These end fixtures cannot be used with Lube-Free Drive Chains, Heavy Duty Roller Chains, Super-H Roller Chains, and Ultra Super Roller Chains.
- ◆ Do not use M-type connecting links for RS Roller Chains or offset links.
- ◆ Use only F-type connecting links when attaching end fitting bolts to Super Chains.
- ◆ Grease the surface of the connecting link pin in advance when attaching the end fitting bolt and RS Roller Chain. Take care to attach precisely and avoid twisting the chain.
- ◆ Attach so that there is no bending load on the end fitting bolt.
- ◆ Do not subject the threads or head of the end fitting bolt to impacts or cause them to become distorted.
- ◆ Tsubaki recommends periodically disassembling, inspecting, and lubing your end fixtures.

Features

1. High safety and reliability

The lubricator, certified with the GS mark from German TÜV safety standards, is filled with grease that satisfies international FDA and NSF (formerly USDA) standards, making it safe to use in food processing. Tsubaki auto lubricators help you increase safety in HACCP systems and contribute to your product liability countermeasures.

2. Usable in explosion-proof applications

Passed screening by TIIS, a non-governmental/non-profit organization recognized by the Minister of Health, Labor, and Welfare of Japan, and is certified as an explosion-protected electrical apparatus. There is no risk of explosion or fire from sparks or high temperatures from electrical apparatuses in environments with explosive gas, proving its safety.

3. Service life adjustable

You can easily set the service life to between 1 to 12 months with just an Allen wrench. Once set, the unit automatically operates by means of a gas generator.

4. Reduced maintenance time

Automatic lubrication eliminates the need for frequent manual lubrication, which simplifies your lubrication schedule. The transparent PET plastic lubricator also features an inspection window so you can always check remaining lube and operating condition.

5. Lightweight, compact

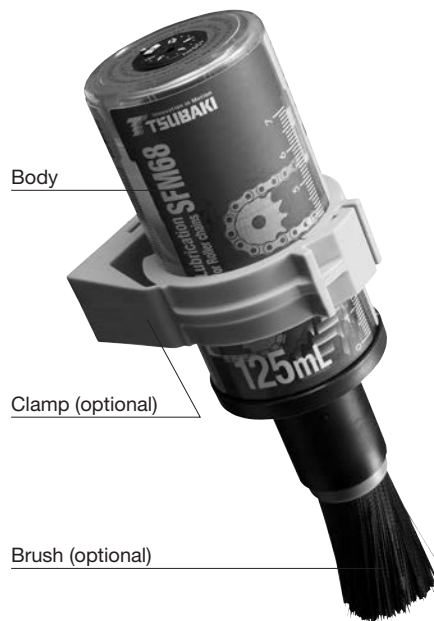
Compact, with a diameter of $\phi 50$ and a height of 114mm (125mL), and weighing only 190g.

6. Can be installed in any direction

The lubricator can be installed facing up, down, or horizontally. Note: If a brush is used it must be installed facing down.

7. Dust and waterproof

Certified IP68 as dust and waterproof for use in dusty or watery environments.

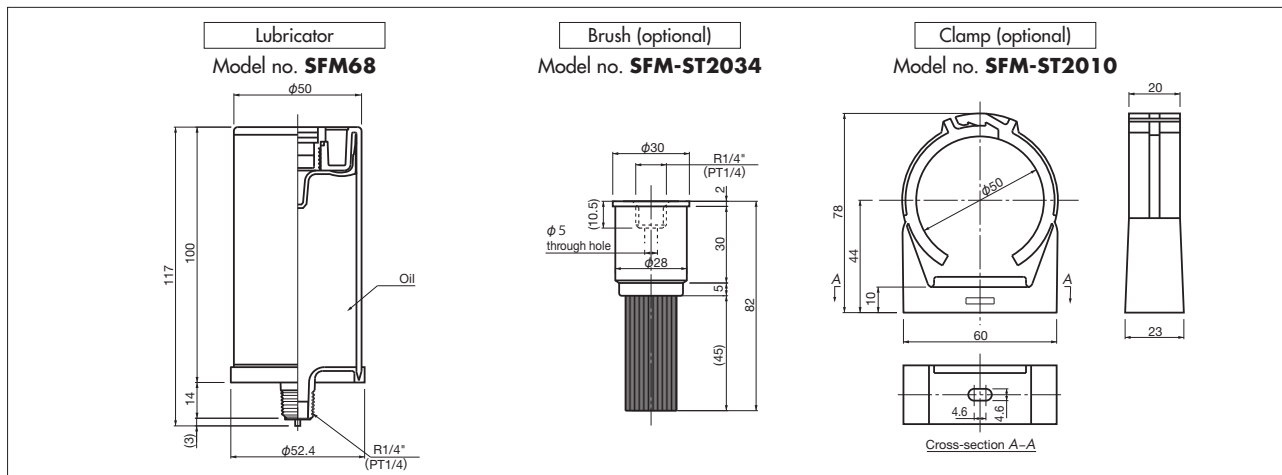


Specifications

Operation	H2 gas pressure (dry battery type)
Operational pressure	Max. 0.5 MPa
Volume	125ml
Discharge period	1 to 12 months, stepless (at an ambient temperature of 20°C)
Operating temperature range	-20°C to 55°C
Oil	Food grade oil

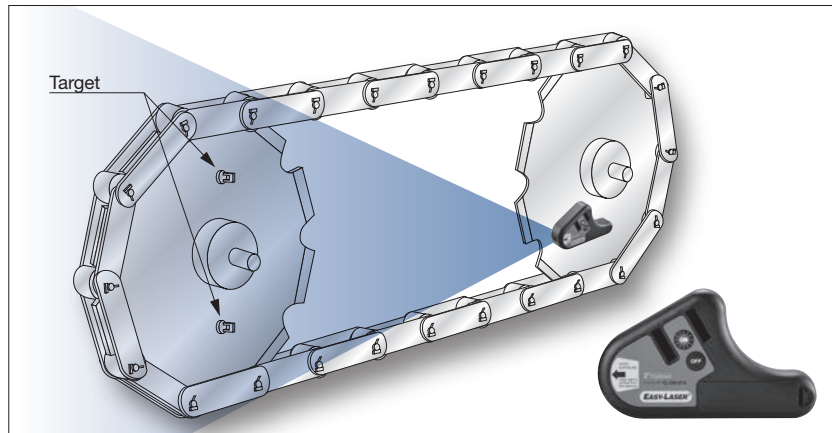
Note: This product is designed for use within Japan. Consequently, preparation of export documentation to comply with the requirements of the destination country and/or shipping conditions may not be possible.

Dimensions

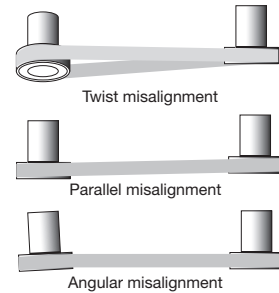
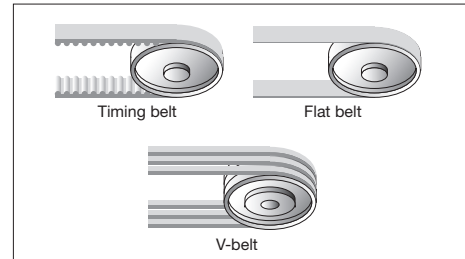


The mounting accuracy of the sprockets has a major impact on smooth chain drive and conveyance. Easy-Laser makes it easy to check and adjust any misalignment simply by shining the laser beam on the sprockets.

Note: Actual laser beam divergence angle is 60°.



◆ Can be used on belts as well as chains



Features

- ◆ Rapid accuracy check: Thanks to the high degree of linearity of the laser beam.
- ◆ Simple operation: Easy to use; just shine the laser on the targets.
- ◆ Mounting on non-magnetic materials possible: Can be attached to non-magnetic materials using double-sided tape.



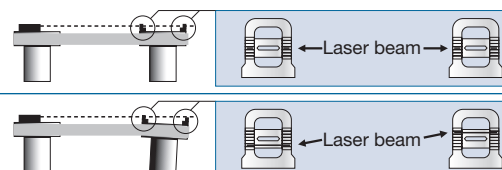
Model numbering example

EL-D90-BTA

Easy-Laser is a trademark of Easy-Laser AB.

Adjust centering while checking the position of the laser beam shining on the targets.
Easy operation at a glance.

- ◆ **Correct alignment:**
Laser beam shines through the centers
- ◆ **Misaligned:**
Laser beam deviates from the centers



Specifications

Laser wavelength: 635 to 670 nm
Laser output: < 1 mW
Laser class: 2
Beam angle: 60°
Sprocket (pulley) diameter: < 60 mm
Sprocket (pulley) width: Regardless of width
Accuracy: > 0.2 mm or > 0.05°

Practical measuring distance: Up to 10 m (when used indoors)
Material: ABS plastic
Dimensions (W x H x D): 145 x 86 x 30 mm
Weight: 270 g
Battery: One AA battery
Battery operation: 8 hours continuously
Operating temperature: -10°C to 50°C

Handling Precautions

Important Easy-Laser is a precision instrument. Dropping or striking the unit may cause it to malfunction.

- ◆ Never point the laser beam at any part of the body.
- ◆ Never look directly into the laser beam.
- ◆ Be careful not to break the glass on the laser output window.
- ◆ Always switch off any equipment, devices, or machinery and make sure that operation has come to a complete stop before making adjustments using the Easy-Laser. Also, do not allow chain or sprockets to rotate while the Easy-Laser unit or targets are attached.
- ◆ Remove the batteries from the unit if it will not be used for a lengthy period of time.
- ◆ Do not use on machinery with high operating temperatures, as magnets may be weakened by heat.
- ◆ For handling instructions and further details, refer to the instruction manual included with the unit.
- ◆ Never disassemble the Easy-Laser.

Accessories Chain Elongation Scales

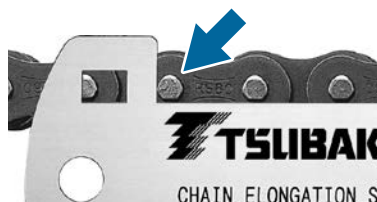
The chain elongation scale allows for quick checks of a chain's pitch elongation limit. Used to check chain elongation on RS Roller Chains, BS Roller Chains, and Leaf Chains to determine when it is time for the chain to be replaced.

Applicable Chain Sizes

RS Roller Chains: RS40 to RS240
 BS Roller Chains: RS08B to RS32B
 Leaf Chains (AL/BL): #4 to #16
 Small Size Conveyor Chains: RF2040 to RF2120

Measurement Procedure

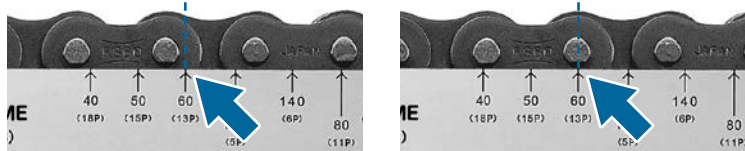
1 Align the Chain Elongation Scale with the pin.



2 Check where along the scale the pin is positioned (pitch indicated in parentheses).

◆ Scale positioning on a new product

◆ Wear elongation limit



If the point or the scale is past the center of the pin, the chain has reached its elongation limit and should be replaced.

Model numbering example **RS-CES** Note: 10 items per case.

Safety Precautions

- ◆ Depending on the attachment and chain size, there may be interference with the Elongation Scale for specialty attachment chains or K2 attachment chains.
- ◆ Check chain elongation at the location on the chain where the sprocket teeth engage the most.
- ◆ Check chain elongation at a location on the chain where tensile force is applied.
- ◆ Do not use the scale for any purpose other than measuring chain elongation.
- ◆ Always turn off the power switch to the equipment and confirm that it has come to a complete stop before checking chain elongation.
- ◆ Cannot be used with Lambda Chain or X-Lambda Chain because their criteria for end of service life differs.

Before Use
 Standard Roller Chains
 Lube-Free Roller Chains
 Heavy Duty Roller Chains
 Corrosion Resistant Roller Chains
 Specialty Roller Chains
 Sprockets
 Pin Gear Drives
 Accessories
 Handling

Selection and Handling

■ Roller Chain Selection

1. Selection Guide p187
2. Service Factors p189
3. Provisional Selection Graph p190
4. Selection Formulae p192
5. General Selection Method p195
6. Allowable Load Selection Method p197
7. Lifting Transmission Examples p202
8. Shuttle Traction Examples p204
9. Chain Type Pin Gears p205
10. Chain Type Pin Gear Drive Selection Method p207
11. Calculating Moment of Inertia p211
12. Temperature Selection Method p212
13. Special Selection Method for Corrosion Resistant
Chain p212
14. Corrosion Resistance Guide for Corrosion Resistant
Chains and Sprockets p213

■ Handling Roller Chains and Sprockets

1. How to Cut Roller Chain p214
2. How to Connect Roller Chain p215
3. Roller Chain Lubrication p216
4. Layout and Installation of Roller Chain p218
5. Sprockets p220
6. Chain Test Run p221
7. Roller Chain Inspection p221
8. Cautions on Use in Special Environments p225
9. Troubleshooting p226

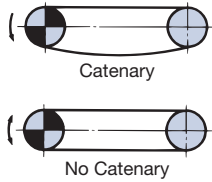
1. Selection Guide

Application

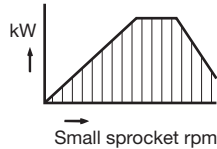
Key points for selection

Selection method

Ordinary transmission



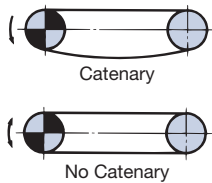
Selection using kilowatt ratings tables



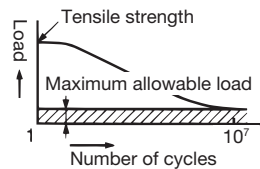
General selection method

Page 195

Ordinary transmission



Selection based on maximum allowable load



Allowable load selection method

Starting frequency
6 times/day (8 hrs.) or more
Page 197

Lifting transmissions



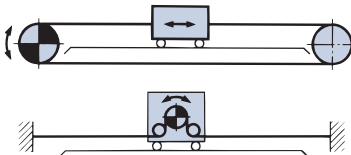
Selection based on maximum allowable load

For connecting links, use F-type connecting links or connecting links for end fitting bolts.
(Standard roller chain only)

Lifting transmission examples

Page 202

Shuttle traction



Selection based on maximum allowable load

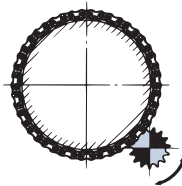
Shuttle traction examples

Page 204

Pin gear drive



Selection based on maximum allowable load
(Chain speed $V = 50$ m/min or less)



Pin gear drive selection

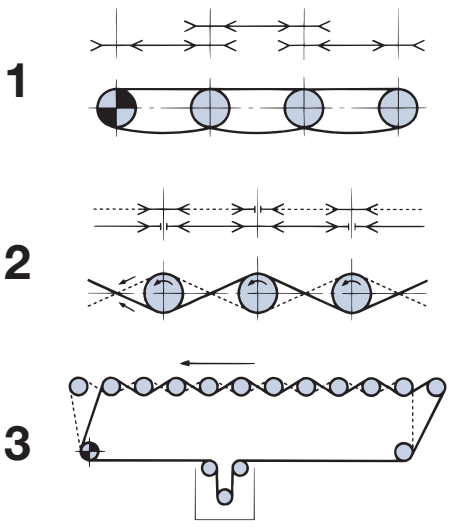
Page 207

	Connecting parts that can be used in a normal atmosphere from -10°C to 60°C			
	Connecting link		Offset link	
	M type	F type	2-pitch	1-pitch
RS	○	○	○	□
BS/DIN	○	○	□	□
LMD	○	○	—	□
LMDNP	○	—	—	□
LMDX	○	—	—	—
LMDS	○	—	—	—
LM	○	—	—	□
SUP	○	○	—	—
HT	○	○	—	—
SNS	○	○	○	□
RS	○	○	○	△
BS/DIN	○	○	△	△
SUP	○	○	—	—
HT	○	○	—	—
SUPH	—	○	—	—
USN	—	○	—	—
NP	○	○	—	△
NEP(APP)	○	○	—	△
SS, AS	○	—	—	○
PC	○	—	—	—
PCSY	○	—	—	—
NS	○	—	—	○
TI	○	—	—	○
KT	△	○	—	△
CU	○	○	—	—
CUSS	○	—	—	—
RS attachment	○	—	—	—

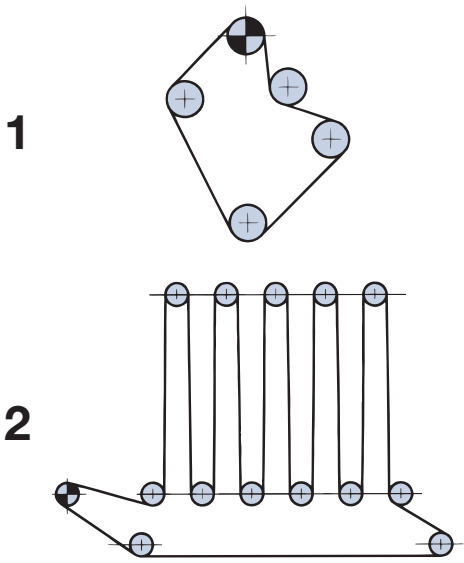
Symbols in the table ○ : Usable □ : Allow for a reduction in kilowatt ratings △ : Allow for a reduction in strength
— : Manufacturing not possible ○ : Made-to-order product

◆ Other selections

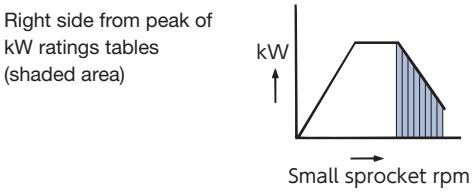
Roller drive



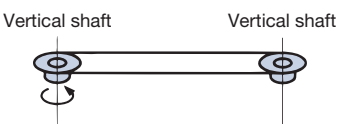
Multi-shaft drive



High-speed drive



Vertical shaft drive



◆ Required information for roller chain selection

- 1) Machine used
- 2) Type of impact
- 3) Motor type
- 4) Rated power of motor
- 5) Bore diameter of high-speed shaft and RPM
- 6) Bore diameter of low-speed shaft and RPM
- 7) Distance between shafts

◆ Motor characteristics required for chain selection

When using the allowable load selection method or the pin gear drive selection method, check the following characteristics of the motor.

- 1) Moment of inertia of motor
- 2) Rated torque of motor, or motor shaft RPM
- 3) Starting torque of motor
- 4) Maximum (stalling) torque of motor
- 5) Motor braking torque

⚠ Precautions when selecting roller chain

The roller chain selection conditions provided here are only applicable to the selection of roller chain model and size. Environmental deterioration including corrosion, aging, and the like, is not taken into account.

When guidelines or legal considerations impose constraints on the selection of roller chain, first make a selection based on these constraints and then make another selection based on the methods given in this catalog. Then choose the roller chain that provides the greater margin of safety.

Ancillary equipment such as safety devices and lubrication devices should be selected separately.

2. Service Factors

◆ Multi-strand factor

The load borne by multi-strand roller chain is unequal across the width of the chain, and thus it cannot be expected that the transmission capacity will be equal to the capacity of a single-strand roller chain multiplied by the number of strands. For this reason, the transmission capacity of multi-strand roller chain is obtained by multiplying the transmission capacity of single-strand roller chain by a multi-strand factor.

Table 1: Multi-strand factor

Number of roller chain strands	Multi-strand factor
Two	1.7
Three	2.5
Four	3.3
Five	3.9
Six	4.6

◆ Service factor Ks

The kW ratings are based on conditions of minimal load fluctuation. Depending on the degree of load fluctuation, it may be necessary to correct the kilowatt ratings using the service factor Ks.

Use Table 2 below to determine the appropriate service factor based on the type of machine and the source of power.

The design kW value is obtained by multiplying the kilowatt ratings by the service factor.

Table 2: Service factor Ks

Type of impact	Power source Example machines	Motor or turbine	Internal combustion engine	
			With hydraulic drive	Without hydraulic drive
Smooth	Belt conveyors with little load fluctuation, chain conveyors, centrifugal pumps, centrifugal blowers, ordinary textile machines, and ordinary machines with little load fluctuation.	1.0	1.0	1.2
Moderate	Centrifugal compressors, marine engines, conveyors with moderate load fluctuation, automatic furnaces, dryers, pulverizers, general machine tools, compressors, general construction machines, general paper mill machines.	1.3	1.2	1.4
Large	Presses, crushers, construction and mining equipment, vibration machines, oil well rigs, rubber mixers, rolls, roll gangs, general machines with reverse or large-impact loads.	1.5	1.4	1.7

◆ RPM factor Kn and teeth factor Kz

Table 3: RPM factor Kn and number of teeth factor Kz

RPM r/min	RPM factor Kn	Number of teeth	Teeth factor Kz
Less than 27	1.00	9 or more, less than 12	1.16
27 or more, less than 37	1.03	12 or more, less than 15	1.14
37 or more, less than 50	1.07	15 or more, less than 18	1.12
50 or more, less than 70	1.10	18 or more, less than 24	1.10
70 or more, less than 100	1.14	24 or more, less than 30	1.08
100 or more, less than 150	1.19	30 or more, less than 38	1.06
150 or more, less than 300	1.27	38 or more, less than 47	1.04
300 or more, less than 500	1.34	47 or more, less than 60	1.02
500 or more, less than 1000	1.44	60 or higher	1.00
1000 or more, less than 2000	1.54		
2000 or more, less than 4000	1.65		

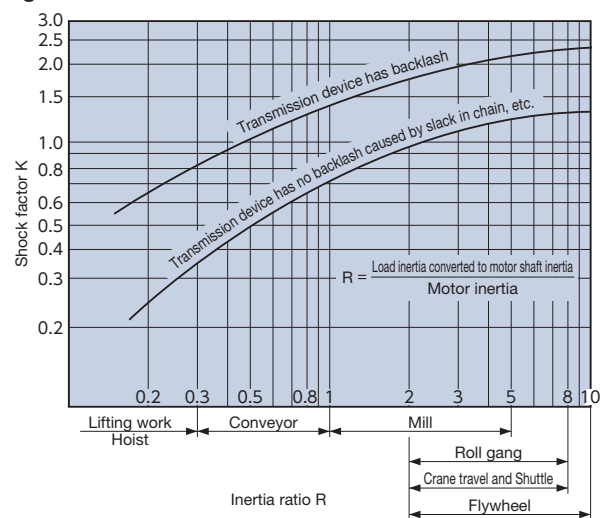
◆ Shock factor K

This coefficient is determined by the ratio of the converted moments of inertia between the prime mover and the load on the same shaft (ratio of I, GD²), and the amount of backlash in the transmission device.

When the inertia ratio R is greater than 10, use R = 10. When the inertia ratio R is less than 0.2, use R = 0.2.

If I or GD² of the prime mover or load is unknown, use the value of R in Figure 1.

Figure 1: Shock factor K



◆ Imbalance load factor Ku

When using two or four chains for lifting or shuttle traction drive, the chain load will not be uniform. This must be accounted for by multiplying the following imbalance load coefficient Ku to adjust the left-and-right load imbalance.

Example: For four lifting strands, the imbalance load factor for one strand $K_u = 0.6 \times 0.6 = 0.36$

Table 4: Imbalance load factor Ku

2 lifting strands	0.6
4 lifting strands	0.36

3. Provisional Selection Graph

Figure 2: RS Standard Roller Chain provisional selection graph

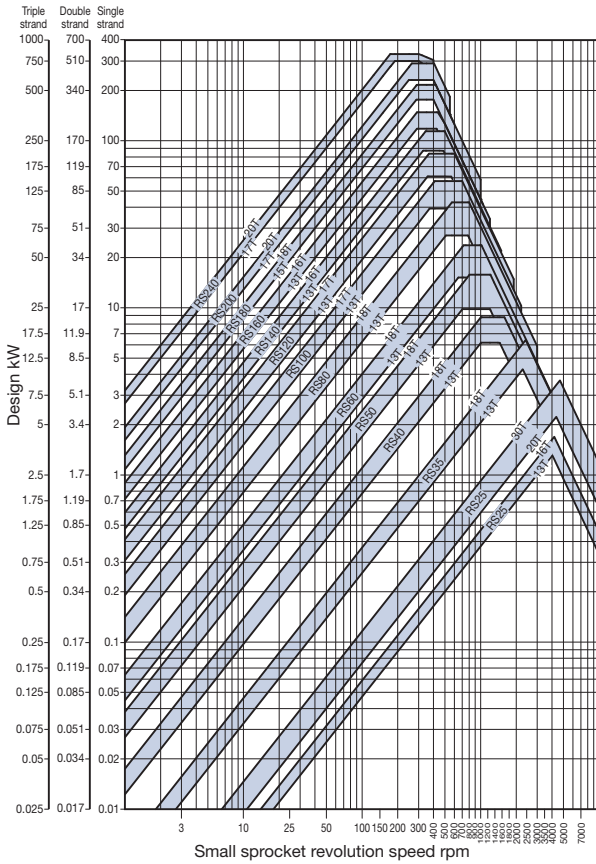


Figure 4: RS Super Roller Chain provisional selection graph

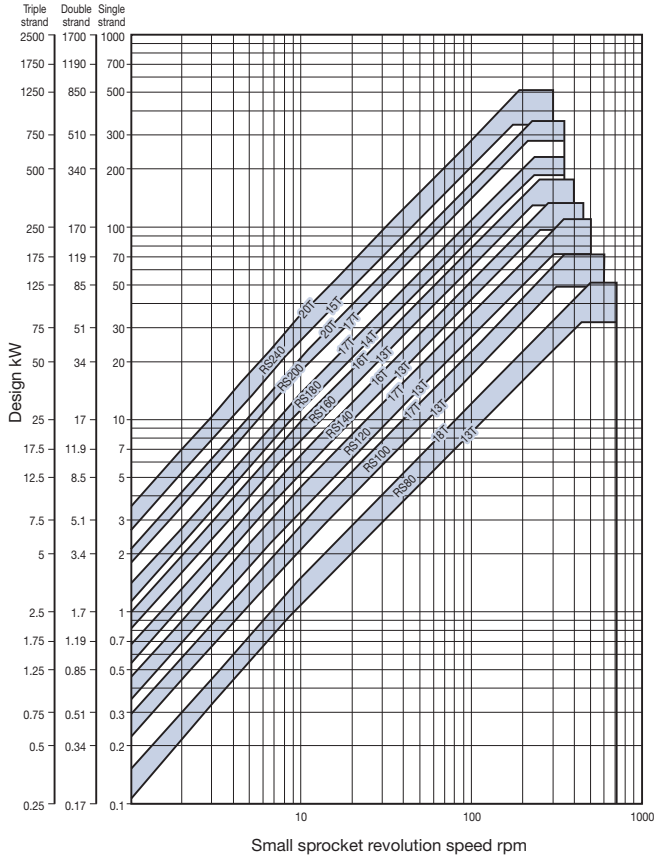
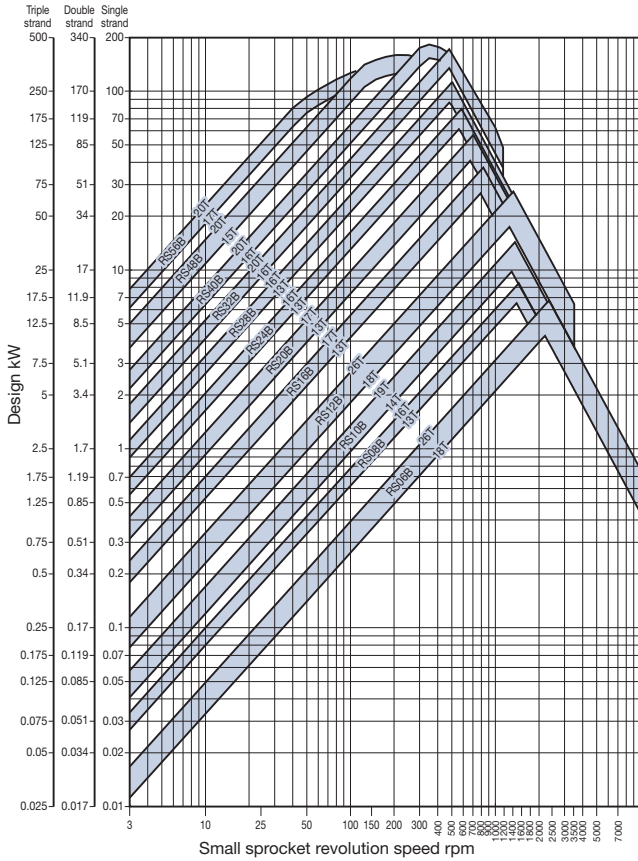


Figure 5: BS/DIN Standard Roller Chain provisional selection graph



Before Use

Standard Roller Chains

Lube-Free Roller Chains

Heavy Duty Roller Chains

Corrosion Resistant Roller Chains

Specialty Roller Chains

Sprockets

Pin Gear Drives

Accessories

Handling

4. Selection Formulae

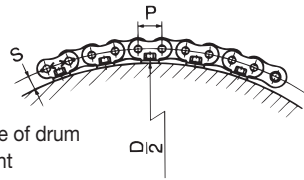
4.1 Symbols and units used in formulae

SI units and gravimetric units are both indicated

Symbol	Description	SI units	Gravimetric units
a_b	Load deceleration	m/s ²	m/s ²
a_s	Load acceleration	m/s ²	m/s ²
C	Center distance in pitches	—	—
C'	Center distance between shafts	m	m
d	Pitch circle diameter of the reducer output shaft sprocket	mm	mm
d ₁	Pitch circle diameter of the small sprocket	mm	mm
d ₂	Pitch circle diameter of the large sprocket	mm	mm
D	Outer diameter of the drum	mm	mm
F _b	Chain tension when decelerating	kN	kgf
F' _b	Design chain tension when decelerating	kN	kgf
F _C	Chain tension of shuttle drive	kN	kgf
F' _C	Design chain tension of shuttle drive	kN	kgf
F _ℓ	Chain tension from torque on load side (actual load)	kN	kgf
F' _ℓ	Design chain tension from torque on load side (actual load)	kN	kgf
F _m	Chain tension from prime mover rated output	kN	kgf
F' _m	Design chain tension from prime mover rated output	kN	kgf
F _{ms}	Chain tension from starting torque of prime mover	kN	kgf
F' _{ms}	Design chain tension from starting torque of prime mover	kN	kgf
F _{mb}	Chain tension from braking torque of prime mover	kN	kgf
F' _{mb}	Design chain tension from braking torque of prime mover	kN	kgf
F _s	Chain tension when accelerating	kN	kgf
F' _s	Design chain tension when accelerating	kN	kgf
F _w	Chain tension from load (actual load)	kN	kgf
F' _w	Design chain tension from load (actual load)	kN	kgf
f ₁	Coefficient of friction between roller and rail (with lubrication 0.14, without lubrication 0.21)	—	—
G	Standard acceleration from gravity G = 9.80665 m/s ²	—	—
i	Speed ratio (example) if ratio is 1/30 than i = 30	—	—
I _ℓ {GD ² }	Converted moment of inertia of the loaded prime mover shaft	kg·m ²	kgf·m ²
I _m {GD ² m}	Moment of inertia of the prime mover shaft	kg·m ²	kgf·m ²
K	Shock factor	—	—
K _n	RPM factor	—	—
K _s	Service factor	—	—
K _u	Imbalance load factor	—	—
K _v	Speed factor	—	—
K _z	Number of teeth factor	—	—
L	Chain length (number of links)	—	—
m	Unit mass of chain	kg/m	kgf/m
M{W}	Mass of load (weight)	kg	kgf
n	RPM of the small sprocket	r/min	rpm
n ₁	RPM of driver shaft	r/min	rpm
n ₂	RPM of driven shaft	r/min	rpm
P	Chain pitch	mm	mm
R	Inertia ratio	—	—
S	Attachment height for RS attachment chain (distance from the drum surface to the chain pitch center)	mm	mm
t _b	Deceleration time	s	s
t _s	Acceleration time	s	s
T _b	Braking torque of the prime mover	%(kN·m)	%(kgf·m)
T _{max}	Maximum (stalling) torque of the prime mover	%(kN·m)	%(kgf·m)
T _s	Starting torque of the prime mover	%(kN·m)	%(kgf·m)
T _ℓ	Load torque	kN·m	kgf·m
T _m	Working torque	kN·m	kgf·m
T _n	Rated torque of the prime mover	kN·m	kgf·m
V	Chain speed	m/min	m/min
V _ℓ	Load speed	m/min	m/min
Z	Number of teeth of large sprocket	—	—
Z'	Number of teeth of small sprocket	—	—
ω	Angular velocity of the prime mover shaft	rad/min	rad/min
ω _b	Angular deceleration of the prime mover shaft	rad/s ²	rad/s ²
ω _s	Angular acceleration of the prime mover shaft	rad/s ²	rad/s ²

4.2 Formulae

- 1) Perform all selections using a transmission efficiency, including the chain, of $\eta = 1$.
- 2) Use the values calculated in items 13 and 14 of this table for the tension and kW ratings used for selection.

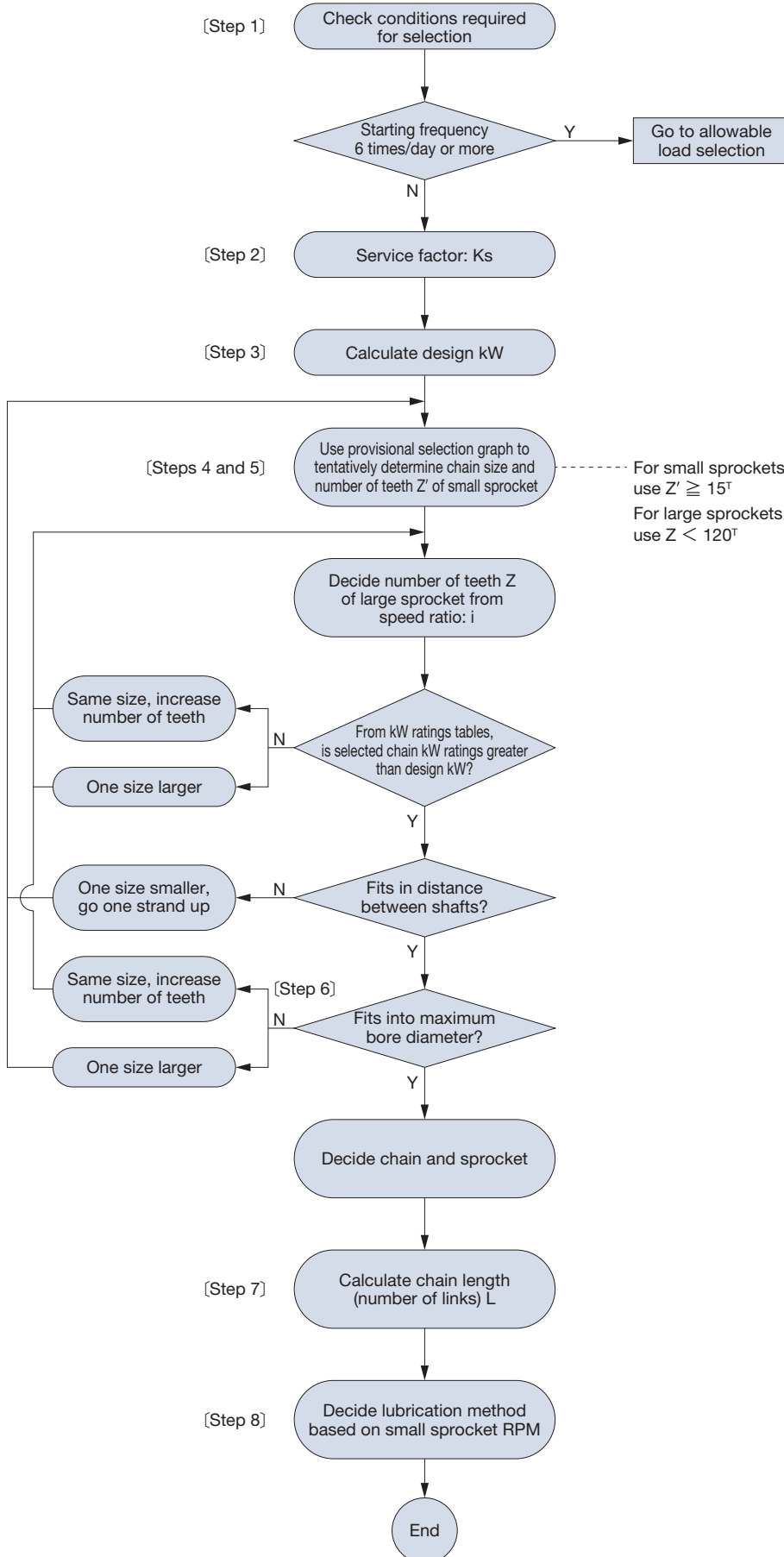
Item	SI units	Gravimetric units
1. Chain length (number of links): L Ordinary transmission	<p>Ordinary transmission between two shafts</p> <p>(1) When the number of teeth and distance between shafts has been decided for both sprockets:</p> $L = \frac{Z + Z'}{2} + 2C + \frac{\left(\frac{Z - Z'}{6.28}\right)^2}{C}$ <p>(2) When the number of links of chain and the number of teeth has been decided:</p> $C = \frac{1}{8} \left\{ 2L - Z - Z' + \sqrt{(2L - Z - Z')^2 - \frac{8}{9.86} (Z - Z')^2} \right\}$ <p>Even if the fractional part of the value found for L (below that of the decimal point) is small, round it up to the nearest integer and add a link. An offset link must be used when an odd number of links exist. However, if possible, change the number of teeth on the sprocket or the distance between shafts so that an even number of links may be used.</p>	
Pin gear drive	<p>When using a chain with attachment around a drum</p> $L = \frac{180^\circ}{\tan^{-1}\left(\frac{P}{D+2S}\right)}$ <p>P : Chain pitch D : Outer circumference of drum S : Height of attachment</p> 	<p>Round L up to an even number of links. When attaching the chain attachment around the drum, insert shims at equal intervals for adjustment.</p>
2. Chain speed: V	$V = \frac{P \times Z' \times n}{1000}$ (m/min)	
3. Chain tension from rated output (kW) and rated RPM of motor: Fm	$F_m = \frac{60 \times kW}{V}$ (kN)	$F_m = \frac{6120 \times kW}{V}$ (kgf)
4. Moment of inertia where the prime mover shaft converts the moment of inertia of the load I (GD ²) : I _ℓ (GD ² _ℓ)	$I_\ell = M \times \left(\frac{V}{2\pi n_1}\right)^2$ (kg·m ²)	$GD^2_\ell = W \times \left(\frac{V}{\pi n_1}\right)^2$ (kgf·m ²)
5. Rated torque of motor: Tn	$T_n = 9.55 \times \frac{kW}{n_1}$ (kN·m)	$T_n = 974 \times \frac{kW}{n_1}$ (kgf·m)
6. Working torque: Tm	$T_m = \frac{T_s(\%) + T_{max}(\%)}{2 \times 100} \times T_n$ (kN·m) Or $T_m = \frac{T_s(kN\cdot m) + T_{max}(kN\cdot m)}{2} \times T_n$ (kN·m)	$T_m = \frac{T_s(\%) + T_{max}(\%)}{2 \times 100} \times T_n$ (kgf·m) Or $T_m = \frac{T_s(kgf\cdot m) + T_{max}(kgf\cdot m)}{2} \times T_n$ (kgf·m)
7. Chain tension from starting torque: Fms	$F_{ms} = \frac{T_s(\%) \times i}{\{d/(2 \times 1000)\} \times 100} \times T_n \times 1$ (kN) Or $F_{ms} = \frac{T_s(kN\cdot m) \times i}{d / (2 \times 1000)} \times 1$ (kN)	$F_{ms} = \frac{T_s(\%) \times i}{\{d/(2 \times 1000)\} \times 100} \times T_n \times 1$ (kgf·m) Or $F_{ms} = \frac{T_s(kN\cdot m) \times i}{d / (2 \times 1000)} \times 1$ (kgf·m)
Chain tension from braking torque: Fmb	$F_{mb} = \frac{T_b(\%) \times i}{\{d/(2 \times 1000)\} \times 100} \times T_n \times 1.2^*$ (kN) Or $F_{mb} = \frac{T_b(kN\cdot m) \times i}{d / (2 \times 1000)} \times 1.2^*$ (kN) ※ : Constants	$F_{mb} = \frac{T_b(\%) \times i}{\{d/(2 \times 1000)\} \times 100} \times T_n \times 1.2^*$ (kgf·m) Or $F_{mb} = \frac{T_b(kN\cdot m) \times i}{d / (2 \times 1000)} \times 1.2^*$ (kgf·m) ※ : Constants
8. Acceleration time: ts If acceleration time is already known, use that.	$t_s = \frac{(I_m + I_\ell) \times n_1}{9550 \times (T_m - T_\ell)}$ (s)	$t_s = \frac{(GD^2_m + GD^2_\ell) \times n_1}{375 \times (T_m - T_\ell)}$ (s)
9. Deceleration time: tb If deceleration time is already known, use that. ±: When there is a negative load, such as a hanging load, use -T _ℓ .	$t_b = \frac{(I_m + I_\ell) \times n_1}{9550 \times (T_b \pm T_\ell)}$ (s)	$t_b = \frac{(GD^2_m + GD^2_\ell) \times n_1}{375 \times (T_b \pm T_\ell)}$ (s)

Item	SI units	Gravimetric units
10. Acceleration Linear motion: α_s Rotating motion: ω_s Assuming linear acceleration. In other situations, calculate using maximum acceleration.	Linear motion (load acceleration) Rotating motion (angular speed of motor shaft) Rotating motion (angular acceleration of motor shaft)	$\alpha_s = \frac{V_e}{t_s \times 60}$ $\omega = 2\pi \times n_1$ $\omega_s = \frac{\omega}{t_s \times 60}$
11. Deceleration Linear motion: α_b Rotating: ω_b Assuming linear deceleration. In other situations, calculate using maximum acceleration.	Linear motion (load acceleration) Rotating motion (angular speed of motor shaft) Rotating motion (angular acceleration of motor shaft)	$\alpha_b = \frac{V_e}{t_b \times 60}$ $\omega = 2\pi \times n_1$ $\omega_b = \frac{\omega}{t_b \times 60}$
12. Chain tension during acceleration: F_s	Linear motion $F_s = \frac{M \times \alpha_s}{1000} + F_w$ Rotating motion $F_s = \frac{I_e \times \omega_s \times i}{1000 \times \left(\frac{d}{2 \times 1000}\right)} + F_w$	Linear motion $F_s = \frac{M \times \alpha_s}{G} + F_w$ Rotating motion $F_s = \frac{GD^2_e/4 \times \omega_s \times i}{\left(\frac{d}{2 \times 1000}\right) \times G} + F_w$
Chain tension during deceleration: F_b	Linear motion $F_b = \frac{M \times \alpha_b}{1000} + F_w$ Rotating motion $F_b = \frac{I_e \times \omega_b \times i}{1000 \times \left(\frac{d}{2 \times 1000}\right)} + F_w$	Linear motion $F_b = \frac{M \times \alpha_b}{G} + F_w$ Rotating motion $F_b = \frac{GD^2_e/4 \times \omega_b \times i}{\left(\frac{d}{2 \times 1000}\right) \times G} + F_w$
13. Design kW (for general selection)	Design kW = Rated kW of motor x K_s (kW)	
14. Design chain tension		
Design chain tension from motor: F'_m	$F'_m = F_m \times K_s \times K_n \times K_z$ (kN) {kgf}	
Design chain tension from starting torque: F'_{ms}	$F'_{ms} = F_{ms} \times K \times K_n \times K_z$ (kN) {kgf}	
Design chain tension from stalling torque: F'_{mb}	$F'_{mb} = F_{mb} \times K \times K_n \times K_z$ (kN) {kgf}	
Design chain tension from shuttle drive: F'_c	$F'_c = F_c \times K_s \times K_n \times K_z$ (kN) {kgf}	
Design chain tension during acceleration: F'_s	$F'_s = F_s \times K_n \times K_z$ (kN) {kgf}	
Design chain tension during deceleration: F'_b	$F'_b = F_b \times K_n \times K_z$ (kN) {kgf}	
Design chain tension from load: F'_w	$F'_w = M \times K_s \times K_n \times K_z \times \frac{G}{1000}$ (kN)	$F'_w = W$ (Or F_w) $\times K_s \times K_n \times K_z$ (kgf)
	If the mass M (weight W) is not known, use the rated torque T_n of the motor to calculate the shaft torque $T = T_n \times i$ kN·m {kgf·m}, and use $F = 2T/d$ in place of W.	
15. Inertia ratio: R	$R = \frac{I_e}{I_m}$	$R = \frac{GD^2_e}{GD^2_m}$
16. Conversion of the flywheel effect (GD^2) to moment of inertia (I)	1kg·m ² ... (I)	4kgf·m ² ... (GD^2)

All chain tensions in the above formulae are the tensions when one strand of chain is used. When using two or more strands of chain, calculate the chain tension for one strand and multiply it by the imbalance load factor K_u (Table 4) for the number of strands used.

5. General Selection Method

Procedures



Ordinary transmission (forward/reverse), continual revolution transmission

[Steps 4 and 5]

Select chain and number of teeth of small sprocket

Use the provisional selection graphs or the kW ratings tables to obtain a chain and small sprocket number of teeth that satisfy the revolution speed of the high-speed shaft and the transmission kW. Select a chain with the smallest pitch that has the required kW ratings.

If a single-strand chain does not have sufficient power, select a multi-strand chain. If site restrictions require a short distance between shafts and the smallest possible sprocket outer diameter, use a multi-strand roller chain with a small pitch.

[Step 6]

Select number of teeth for large sprocket

Once the number of teeth of the small sprocket has been decided, the number of teeth of the large sprocket is determined by multiplying the number of teeth of the small sprocket by the speed ratio.

The number of teeth of the small sprocket should be at least 15. However, it is not desirable if this causes the number of teeth of the large sprocket to exceed 120. In this event, the number of teeth of the small sprocket must be reduced; however, it is recommended to use more than 13 teeth.

[Step 7]

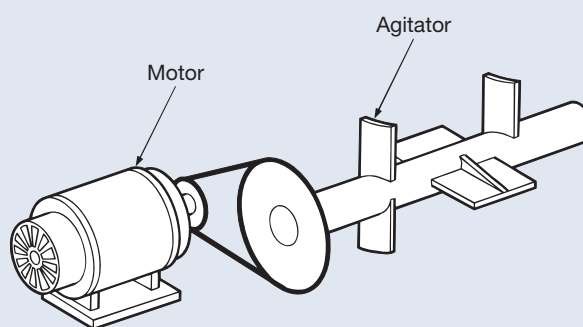
When the number of links is odd

If the number of links is odd, it is best to avoid using an offset link and instead change the distance between shafts so that the number of links is even. If the one-pitch offset link of RS roller chain or the four-pitch offset link of Super Chain is used, allow for a decrease of transmission power as explained in the notes in the kW ratings tables.

◆ Selection example using the general selection method

[Step 1] Required conditions

Machine used : Agitator
 Type of shock : Moderate shock
 Source of power : Motor
 Rated power : 11 kW 1800 rpm
 High-speed shaft : Shaft diameter 45 mm 90 rpm
 Low-speed shaft : Shaft diameter 60 mm 30 rpm
 Distance between shafts : 350 mm
 Space limitation : 700 mm



[Step 2] Determine the service factor

Service factor $K_s = 1.3$ from Table 2 Service Factor

[Step 3] Determine the design kW

Design kW = 11 kW X 1.3 = 14.3 kW

[Steps 4 and 5] Determine the chain and the number of teeth for the sprocket

Decide on the chain number and number of teeth of the small sprocket derived from the speed of the high speed shaft, at 90 rpm, and the design kW (14.3 kW).

(1) 17T for RS100-1 is derived from the provisional selection graph and the kilowatt ratings table. Since the speed ratio is 1/3, the number of teeth will be 17T and 51T for RS100. But, with an outer diameter of 17T at 189 mm and 51T at 534 mm, these are not adequate because they do not fit in the required space. $\therefore 189 + 534 > 700$

(2) Checking multi-strand chains:

- 19T and 57T for RS80-2 is derived with double-strand chain, and the outer diameter of its sprockets are 167 mm and 476 mm, which is within space limitations. Check RS80 kilowatt ratings table for the kW ratings of 19T for RS80-2.
- The kW ratings for the small sprocket number of teeth (19T) is 5.06 kW at 50 rpm, and 9.44 kW at 100 rpm. By calculating proportionally using the differences in their tables, drive kW for 90 rpm is 8.56 kW.

(3) This 8.56 kW is the kilowatt rating of single-strand chain, and the kilowatt rating of double-strand chain that will be used is derived from the multi-strand factor in Table 1.
 $8.56 \text{ kW} \times 1.7 = 14.6 \text{ kW}$

(4) This kW rating, 14.6 kW, satisfies the design kW (14.3 kW).

[Step 6] Check the bore diameter

Check the bore diameter on the dimension table. Maximum bore diameter for RS80-2-19T is 66 mm, and it can be used for the required bore diameter of 45 mm. Maximum bore diameter for RS80-2-57T is 89 mm, and it can be used for the 60 mm.

[Step 7] Determine the distance between shafts

With a distance between shafts of 350 mm,

$$\frac{(167 + 476)}{2} < 350, \text{ and it will fit into the required space.}$$

Number of the links is calculated as

$$L = \frac{57 + 19}{2} + 2 \times \frac{350}{25.4} + \frac{\left(\frac{57 - 19}{6.28}\right)^2}{25.4} = 68.2$$

In order to have an even number of links, raise the value to the right of the decimal point to an integer to get 70.

[Step 8] Check lubrication method

Since the small sprocket is RS80-2-19T at a speed of 90 rpm, according to the kilowatt ratings table, drip lubrication will be used.

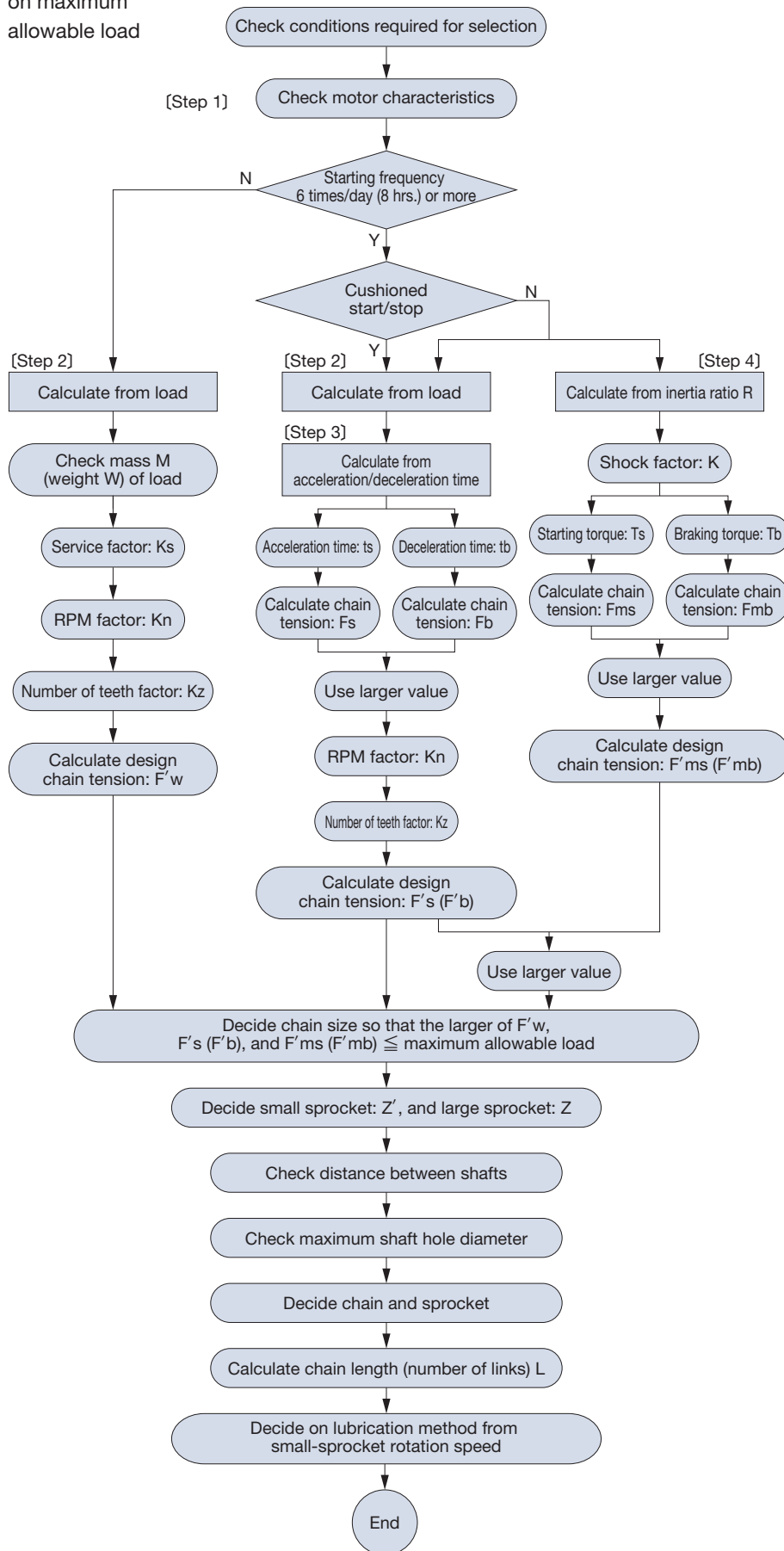
Note: Selection of roller chains for lifting applications or shuttle traction applications

When using balance weights, it is assumed that motor capacity will be reduced and only braking force will increase. In this case, for applications where maximum allowable load is indicated, also make a chain selection using the Allowable Load Selection Method. Then choose the roller chain that provides the greater margin of safety.

6. Allowable Load Selection Method

Selection based on maximum allowable load

Procedures



1. Speed considerations

This selection method is used when the roller chain will be used within the range of speeds shown in Table 1. When using at speeds higher than the upper limit shown in the table, use the General Selection Method to select the chain.

Table 1: Selection speed limit

Pitch mm	Speed limit m/min
Under 12.70	120
12.70	100
15.875	90
19.05	80
25.40	70
31.75	60
38.10	50
44.45	50
50.80	50
57.15	40
63.50	40
76.20	40
101.60	30
127.00	30

The speed limit for Poly Steel Chain is 70 m/min.

2. Impact considerations

For transmission with large impacts and other extreme conditions, in particular large-load transmission and transmission where a thrust load may operate, use F-type connecting links or two-pitch offset links.

3. Strength of connecting links and offset links

When using M-type connecting links or offset links for roller chains shown in Tables 2 and 3, multiply the maximum allowable load by the percentage given in the tables.

Table 2: Strength of M-type connecting links

RS roller chain	RS15, RS25, RS37, RS38, RS41, BF25-H	80%
RS roller chain BS/DIN standard	RF06B, RS48B, RS56B	80%
Cold resistant roller chain KT Series	All sizes	80%

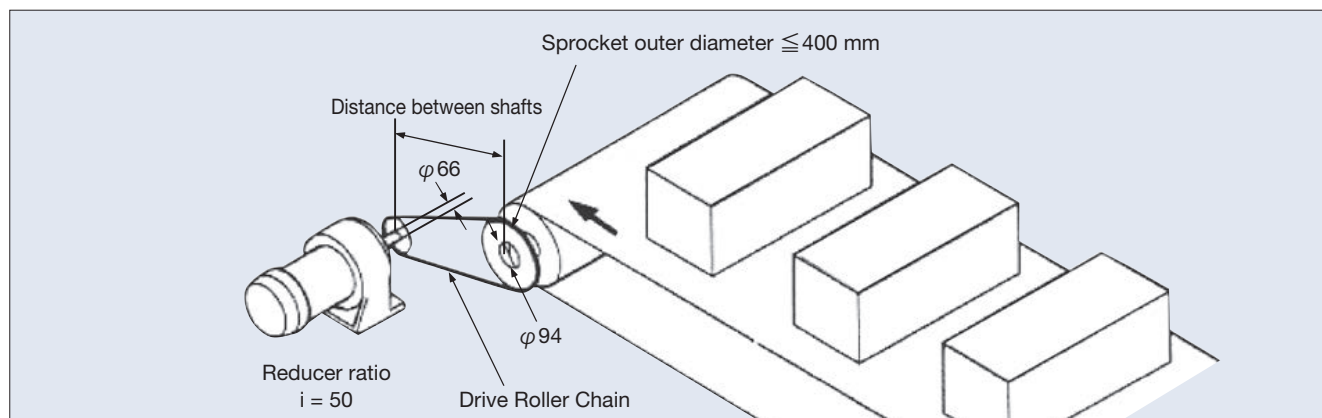
Table 3: Strength of offset links

	Offset link		
	1-pitch	2-pitch	4-pitch
RS roller chain	65%	100%	—
RS roller chain BS/DIN standard	60%	60%	—
Super Chain	—	—	85%
RS roller chain NP Series	65%	—	—
RS roller chain NEP/APP Series	65%	—	—
Low noise chain	65%	—	—

4. Sprocket considerations

When heavy-duty drive chain is used, chain tension will increase. For this reason, commercially available cast iron sprockets may not have sufficient rim or hub strength. Use S35C or equivalent material. RS sprockets have the strength capable of handling heavy-duty drive chain. For heavy-duty drive chain, use sprockets with hardened teeth.

◆ Selection example using the allowable load selection method



Conditions

Machine used : Conveyor drive

Mass of load M : 6000 kg

Load speed V_e : 30 m/min

Conveyor roller diameter : 380 mm

Belt thickness : 10 mm

Conveyor roller rotation torque : 3.3 kN/m (337 kgf/m)

Motor : 11 kW $n_1 = 1800$ rpm

Starting torque T_s 200%

Maximum (stalling) torque T_{max} 210%

Braking torque T_b 200%

Moment of inertia I_m 0.088 kg·m²

(flywheel effect GD^2 0.352 kgf·m²)

Reducer ratio : 1/50 ($i = 50$)

Drive shaft diameter : 66 mm

Driven shaft diameter : 94 mm

Distance b/w shafts : 500 mm

Driven sprocket diameter ≤ 400 mm

Starting frequency : 10 times/day

Type of shock : Moderate shock

Soft start/stop : None

SI units

[Step 1] Check motor characteristics

$$\text{Rated torque } T_n = 9.55 \times \frac{\text{kW}}{n_1} = 9.55 \times \frac{11}{1800} = 0.058 \text{ (kN}\cdot\text{m)}$$

$$\text{Starting torque } T_s = T_n \times 2 = 0.058 \times 2 = 0.116 \text{ (kN}\cdot\text{m)}$$

$$\text{Maximum (stalling) torque } T_{max} = T_n \times 2.1 = 0.058 \times 2.1 = 0.122 \text{ (kN}\cdot\text{m)}$$

$$\text{Braking torque } T_b = T_n \times 2.0 = 0.058 \times 2.0 = 0.116 \text{ (kN}\cdot\text{m)}$$

$$\text{Motor moment of inertia } I_m = 0.088 \text{ (kg}\cdot\text{m}^2)$$

[Step 2] Calculate from load

Driven shaft revolution

$$n_2 = V_e \times \frac{1000}{(\text{Outer diameter of conveyor roller} + 2 \times \text{Belt thickness}) \times \pi}$$

$$= 30 \times \frac{1000}{(380 + 20) \times \pi} = 23.9 \text{ (r/min)}$$

Drive shaft revolution

$$n = n_1 / i = \frac{1800}{50} = 36 \text{ (r/min)}$$

$$\text{Chain reducer ratio} = \frac{23.9}{36} = \frac{1}{1.51}$$

If the driven sprocket PCD $d_2 = 400$ mm

$$\begin{aligned} \text{Chain tension } F_w &= \text{Conveyor roller rotation torque} \times 1000 \times \frac{2}{d_2} \\ &= 3.3 \times 1000 \times \frac{2}{400} = 16.5 \text{ (kN)} \end{aligned}$$

Tentatively select the chain.

With moderate shock..... Service factor $K_s = 1.3$

Tentative design chain tension = $F_w \times K_s = 16.5 \times 1.3 = 21.5$ (kN)

Tentatively select RS120-1 with a maximum allowable load of 30.4 kN.

{Gravimetric units}

[Step 1] Check motor characteristics

$$\text{Rated torque } T_n = 974 \times \frac{\text{kW}}{n_1} = 974 \times \frac{11}{1800} = 5.95 \text{ (kgf}\cdot\text{m)}$$

$$\text{Starting torque } T_s = T_n \times 2 = 5.95 \times 2 = 11.9 \text{ (kgf}\cdot\text{m)}$$

$$\text{Maximum (stalling) torque } T_{max} = T_n \times 2.1 = 5.95 \times 2.1 = 12.5 \text{ (kgf}\cdot\text{m)}$$

$$\text{Braking torque } T_b = T_n \times 2.0 = 5.95 \times 2.0 = 11.9 \text{ (kgf}\cdot\text{m)}$$

$$GD^2 \text{ of the motor } GD^2_m = 0.352 \text{ (kgf}\cdot\text{m}^2)$$

[Step 2] Calculate from load

Driven shaft revolution

$$n_2 = V_e \times \frac{1000}{(\text{Outer diameter of conveyor roller} + 2 \times \text{Belt thickness}) \times \pi}$$

$$= 30 \times \frac{1000}{(380 + 20) \times \pi} = 23.9 \text{ (r/min)}$$

Drive shaft revolution

$$n = n_1 / i = \frac{1800}{50} = 36 \text{ (r/min)}$$

$$\text{Chain reducer ratio} = \frac{23.9}{36} = \frac{1}{1.51}$$

If the driven sprocket PCD $d_2 = 400$ mm

$$\begin{aligned} \text{Chain tension } F_w &= \text{Conveyor roller rotation torque} \times 1000 \times \frac{2}{d_2} \\ &= 337 \times 1000 \times \frac{2}{400} = 1690 \text{ (kgf)} \end{aligned}$$

Tentatively select the chain.

With moderate shock..... Service factor $K_s = 1.3$

Tentative design chain tension = $F_w \times K_s = 1690 \times 1.3 = 2200$ (kgf)

Tentatively select RS120-1 with a maximum allowable load of 3100 kgf.

SI units

31T from driven sprocket < 400mm

Outer diameter 398 mm PCD $d_2 = 376.60$ (mm)

$$\text{Number of teeth of drive sprocket} = \frac{31}{1.51} = 21 \text{ T PCD } d = 255.63 \text{ (mm)}$$

$$\begin{aligned} \text{Chain speed} &= \frac{P \times Z' \times n}{1000} = \frac{38.1 \times 21 \times 36}{1000} \\ &= 28.8 \text{ m/min} < 50 \text{ m/min,} \end{aligned}$$

so it is possible to select by allowable load.

Small sprocket revolution 36r/min... RPM factor $K_n=1.03$

Number of teeth of small sprocket 21T... Number of teeth factor $K_z=1.10$

$$\begin{aligned} \text{Chain tension } F_w &= \text{Conveyor roller rotation torque} \times 1000 \times \frac{2}{d_2} \\ &= 3.3 \times 1000 \times \frac{2}{376.6} = 17.5 \text{ (kN)} \end{aligned}$$

$$\begin{aligned} \text{Design chain tension } F_w &= F_w \times K_s \times K_n \times K_z \\ &= 17.5 \times 1.3 \times 1.03 \times 1.10 = 25.8 \text{ (kN)} \dots \text{①} \end{aligned}$$

RS120-1 (Max. allowable load: 30.4kN) can be used.

Check the conveyance speed (selection conditions, 30 m/min)

$$\begin{aligned} V_\ell &= n_2 \times \frac{(\text{Conveyor roller outer diameter} + 2 \times \text{Belt thickness}) \times \pi}{1000} \\ &= n_1 \times \frac{21}{31} \times \frac{(\text{Conveyor roller outer diameter} + 2 \times \text{Belt thickness}) \times \pi}{1000} \\ &= 36 \times \frac{21}{31} \times \frac{(380 + 2 \times 10) \times \pi}{1000} \\ &= 30.6 \text{ (m/min)} \end{aligned}$$

[Step 3] Calculate from acceleration/deceleration time

The small sprocket (reducer output shaft sprocket) was decided as RS120 21T from the calculations in Step 2. Thus, calculate using the same pitch and number of teeth. If the acceleration/deceleration time is known, use that value for the calculation.

The following is calculated assuming it is unknown.

$$\text{Working torque } T_m = \frac{T_s + T_{\max}}{2} = \frac{0.116 + 0.122}{2} = 0.119 \text{ (kN}\cdot\text{m)}$$

$$\begin{aligned} \text{Load torque } T_\ell &= F_w \times \frac{d}{2 \times 1000 \times i} = 17.5 \times \frac{255.63}{2 \times 1000 \times 50} \\ &= 0.045 \text{ (kN}\cdot\text{m)} \end{aligned}$$

Motor shaft conversion moment of inertia I_ℓ of load side

$$\begin{aligned} I_\ell &= M \times \left(\frac{V_\ell}{2 \times \pi \times n_1} \right)^2 \\ &= 6000 \times \left(\frac{30.6}{2 \times \pi \times 1800} \right)^2 \\ &= 0.044 \text{ (kg}\cdot\text{m}^2) \end{aligned}$$

Moment of inertia of the motor = I_m 0.088 (kg·m²)

Acceleration time of the motor

$$\begin{aligned} t_s &= (I_m + I_\ell) \times \frac{n_1}{9550 \times (T_m - T_\ell)} \\ &= (0.088 + 0.044) \times \frac{1800}{9550 \times (0.119 - 0.045)} \\ &= 0.34 \text{ (s)} \end{aligned}$$

Deceleration time of the motor

$$\begin{aligned} t_b &= \frac{(I_m + I_\ell) \times n_1}{9550 \times (T_b + T_\ell)} \\ &= \frac{(0.088 + 0.044) \times 1800}{9550 \times (0.116 + 0.045)} \\ &= 0.15 \text{ (s)} \end{aligned}$$

{Gravimetric units}

31T from driven sprocket < 400mm

Outer diameter 398 mm PCD $d_2 = 376.60$ (mm)

$$\text{Number of teeth of drive sprocket} = \frac{31}{1.51} = 21 \text{ T PCD } d = 255.63 \text{ (mm)}$$

$$\begin{aligned} \text{Chain speed} &= \frac{P \times Z' \times n}{1000} = \frac{38.1 \times 21 \times 36}{1000} \\ &= 28.8 \text{ m/min} < 50 \text{ m/min,} \end{aligned}$$

so it is possible to select by allowable load.

Small sprocket revolution 36r/min... RPM factor $K_n=1.03$

Number of teeth of small sprocket 21T... Number of teeth factor $K_z=1.10$

$$\begin{aligned} \text{Chain tension } F_w &= \text{Conveyor roller rotation torque} \times 1000 \times \frac{2}{d_2} \\ &= 337 \times 1000 \times \frac{2}{376.6} = 1790 \text{ (kgf)} \end{aligned}$$

$$\begin{aligned} \text{Design chain tension } F_w &= F_w \times K_s \times K_n \times K_z \\ &= 1790 \times 1.3 \times 1.03 \times 1.10 = 2640 \text{ (kgf)} \dots \text{①} \end{aligned}$$

RS120-1 (Max. allowable load: 3100kgf) can be used.

Check the conveyance speed (selection conditions, 30 m/min)

$$\begin{aligned} V_\ell &= n_2 \times \frac{(\text{Conveyor roller outer diameter} + 2 \times \text{Belt thickness}) \times \pi}{1000} \\ &= n_1 \times \frac{21}{31} \times \frac{(\text{Conveyor roller outer diameter} + 2 \times \text{Belt thickness}) \times \pi}{1000} \\ &= 36 \times \frac{21}{31} \times \frac{(380 + 2 \times 10) \times \pi}{1000} \\ &= 30.6 \text{ (m/min)} \end{aligned}$$

[Step 3] Calculate from acceleration/deceleration time

The small sprocket (reducer output shaft sprocket) was decided as RS120 21T from the calculations in Step 2. Thus, calculate using the same pitch and number of teeth. If the acceleration/deceleration time is known, use that value for the calculation.

The following is calculated assuming it is unknown.

$$\text{Working torque } T_m = \frac{T_s + T_{\max}}{2} = \frac{11.9 + 12.5}{2} = 12.2 \text{ (kgf}\cdot\text{m)}$$

$$\begin{aligned} \text{Load torque } T_\ell &= F_w \times \frac{d}{2 \times 1000 \times i} = 1790 \times \frac{255.63}{2 \times 1000 \times 50} \\ &= 4.58 \text{ (kgf}\cdot\text{m)} \end{aligned}$$

Motor shaft conversion GD^2 of the load side

$$\begin{aligned} GD^2_\ell &= M \times \left(\frac{V_\ell}{\pi \times n_1} \right)^2 \\ &= 6000 \times \left(\frac{30.6}{\pi \times 1800} \right)^2 \\ &= 0.176 \text{ (kgf}\cdot\text{m}^2) \end{aligned}$$

GD^2 of the motor $GD^2_m=0.352$ (kgf·m²)

Acceleration time of the motor

$$\begin{aligned} t_s &= (GD^2_m + GD^2_\ell) \times \frac{n_1}{375 \times (T_m - T_\ell)} \\ &= (0.352 + 0.176) \times \frac{1800}{375 \times (12.2 - 4.58)} \\ &= 0.34 \text{ (s)} \end{aligned}$$

Deceleration time of the motor

$$\begin{aligned} t_b &= \frac{(GD^2_m + GD^2_\ell) \times n_1}{375 \times (T_b + T_\ell)} \\ &= \frac{(0.352 + 0.176) \times 1800}{375 \times (11.9 + 4.58)} \\ &= 0.15 \text{ (s)} \end{aligned}$$

SI units

As $t_b < t_s$, chain tension during deceleration F_b is larger than chain tension during acceleration F_s . Thus, use the following.

Deceleration

$$a_b = \frac{V_\ell}{t_b \times 60} = \frac{30.6}{0.15 \times 60} = 3.40 \text{ (m/s}^2\text{)}$$

Chain tension during deceleration

$$F_b = \frac{M \times a_b}{1000} \times \frac{(\text{Conveyor roller outer diameter} + 2 \times \text{Belt thickness})}{d_2} + F_w = \frac{6000 \times 3.40}{1000} \times \frac{(380 + 2 \times 10)}{376.6} + 17.5 = 39.2 \text{ (kN)}$$

Design chain tension

$$F'b = F_b \times K_n \times K_z = 39.2 \times 1.03 \times 1.10 = 44.4 \text{ (kN)} \dots\dots\dots ②$$

RS120-2 (maximum allowable load 51.7 kN) or RS120-SUP-2 (maximum allowable load 66.7 kN) can be used because $F'b = 44.4 \text{ (kN)}$.

Considering RS140 18T (outer diameter 279 mm $d_1 = 255.98$) and 27T (outer diameter 407 mm $d_2 = 382.88$) with similar PCD results conflict with the driven sprocket outer diameter ≤ 400 mm, they cannot be used.

Chain reduction ratio becomes $\frac{26}{18}$ from the required $\frac{36}{23.9}$, and

$$\text{conveyance speed} = 30 \times \frac{36}{23.9} \times \frac{26}{18} = 31.3 \text{ m/min}$$

but upon examination 26T (outer diameter 393mm $d_2 = 368.77$)

② is $F'b = 46.3 \text{ (kN)}$

RS140-1 cannot be used because its maximum allowable load is 40.2 kN.

RS140-SUP-1 can be used because its maximum allowable load is 53.9 kN.

Since the sprocket bore diameter of 18T is up to 89 mm, and for 26T is up to 103 mm, it can be used with a drive shaft diameter of 66 mm and driven shaft diameter of 94 mm.

With the distance between shafts at 500 mm, a sprocket with 18T ($d_1 = 255.98$) and 26T ($d_2 = 368.77$) can be used.

Number of links will be 46 links.

[Step 4] Calculate from inertia ratio R

$$\text{Inertia ratio } R = \frac{I_\ell}{I_m} = \frac{0.044}{0.088} = 0.5$$

There is clearance in the drive equipment... Shock factor $K = 1.0$

Starting torque $T_s = 0.116 \text{ (kN}\cdot\text{m)}$

Chain tension from starting torque

$$F_{ms} = T_s \times i \times 1000 \times \frac{2}{d} = 0.116 \times 50 \times 1000 \times \frac{2}{255.63} = 45.4 \text{ (kN)}$$

Braking torque $T_s = 0.116 \text{ (kN}\cdot\text{m)}$

Chain tension from braking torque

$$F_{mb} = T_b \times i \times 1.2 \times 1000 \times \frac{2}{d} = 0.116 \times 50 \times 1.2 \times 1000 \times \frac{2}{255.63} = 54.5 \text{ (kN)}$$

Since $F_{mb} > F_{ms}$, use the larger F_{mb} .

Design chain tension

$$F'm_b = F_{mb} \times K \times K_n \times K_z = 54.5 \times 1.0 \times 1.03 \times 1.10 = 61.7 \text{ (kN)} \dots\dots\dots ③$$

{Gravimetric units}

As $t_b < t_s$, chain tension during deceleration F_b is larger than chain tension during acceleration F_s . Thus, use the following.

Deceleration

$$a_b = \frac{V_\ell}{t_b \times 60} = \frac{30.6}{0.15 \times 60} = 3.40 \text{ (m/s}^2\text{)}$$

Chain tension during deceleration

$$F_b = \frac{M \times a_b}{G} \times \frac{(\text{Conveyor roller outer diameter} + 2 \times \text{Belt thickness})}{d_2} + F_w = \frac{6000 \times 3.40}{G} \times \frac{(380 + 2 \times 10)}{376.6} + 1790 = 4000 \text{ (kgf)}$$

Design chain tension

$$F'b = F_b \times K_n \times K_z = 4000 \times 1.03 \times 1.10 = 4530 \text{ (kgf)} \dots\dots\dots ②$$

RS120-2 (maximum allowable load 5270 kgf) or RS120-SUP-2 (maximum allowable load 6800 kgf) can be used because $F'b = 4530 \text{ (kgf)}$.

Considering RS140 18T (outer diameter 279 mm $d_1 = 255.98$) and 27T (outer diameter 407 mm $d_2 = 382.88$) with similar PCD results conflict with the driven sprocket outer diameter ≤ 400 mm, they cannot be used.

Chain reduction ratio becomes $\frac{26}{18}$ from the required $\frac{36}{23.9}$, and

$$\text{conveyance speed} = 30 \times \frac{36}{23.9} \times \frac{26}{18} = 31.3 \text{ m/min}$$

but upon examination 26T (outer diameter 393mm $d_2 = 368.77$)

② is $F'b = 4520 \text{ (kgf)}$

RS140-1 cannot be used because its maximum allowable load is 4100 kgf.

RS140-SUP-1 can be used because its maximum allowable load is 5500 kgf.

Since the sprocket bore diameter of 18T is up to 89 mm, and for 26T is up to 103 mm, it can be used with a drive shaft diameter of 66 mm and driven shaft diameter of 94 mm.

With the distance between shafts at 500 mm, a sprocket with 18T ($d_1 = 255.98$) and 26T ($d_2 = 368.77$) can be used.

Number of links will be 46 links.

[Step 4] Calculate from inertia ratio R

$$\text{Inertia ratio } R = \frac{GD_\ell^2}{GD_m^2} = \frac{0.176}{0.352} = 0.5$$

There is clearance in the drive equipment... Shock factor $K = 1.0$

Starting torque $T_s = 11.9 \text{ (kgf}\cdot\text{m)}$

Chain tension from starting torque

$$F_{ms} = T_s \times i \times 1000 \times \frac{2}{d} = 11.9 \times 50 \times 1000 \times \frac{2}{255.63} = 4660 \text{ (kgf)}$$

Braking torque $T_s = 11.9 \text{ (kgf}\cdot\text{m)}$

Chain tension from braking torque

$$F_{mb} = T_b \times i \times 1.2 \times 1000 \times \frac{2}{d} = 11.9 \times 50 \times 1.2 \times 1000 \times \frac{2}{255.63} = 5590 \text{ (kgf)}$$

Since $F_{mb} > F_{ms}$, use the larger F_{mb} .

Design chain tension

$$F'm_b = F_{mb} \times K \times K_n \times K_z = 5590 \times 1.0 \times 1.03 \times 1.10 = 6330 \text{ (kgf)} \dots\dots\dots ③$$

SI units

Comparing ①, ②, and ③, ③ has the largest design chain tension.

Since $F'mb=61.7$ (kN), RS120-3 (maximum allowable load 76.0 kN) or RS120-SUP-2 (maximum allowable load 66.7 kN) is usable.

With the distance between shafts at 500mm, a sprocket with 21T ($d_1=255.63$) and 31T ($d_2=376.60$) can be used.

Number of links will be 54 links.

Considering RS160 15T (outer diameter 269mm $d_1=244.33$) and 23T (outer diameter 400mm $d_2=373.07$) with similar PCD,

③ $F'mb=64.6$ (kN) will be largest.

RS160-1 cannot be used because its maximum allowable load is 53.0 kN.

RS160-SUP-1 can be used because its maximum allowable load is 70.6 kN.

Since a sprocket bore diameter with 15T is up to 95mm, and 23T is up to 118mm, it can be used for a drive shaft diameter of 66mm, and driven shaft diameter of 94mm.

With the distance between shafts at 500mm, a sprocket with 15T ($d_1=244.33$) and 23T ($d_2=373.07$) can be used.

Number of links will be 40 links.

{Gravimetric units}

Comparing ①, ②, and ③, ③ has the largest design chain tension.

Since $F'mb=6330$ (kgf), RS120-3 (maximum allowable load 7550 kgf) or RS120-SUP-2 (maximum allowable load 6800 kgf) is usable.

With the distance between shafts at 500mm, a sprocket with 21T ($d_1=255.63$) and 31T ($d_2=376.60$) can be used.

Number of links will be 54 links.

Considering RS160 15T (outer diameter 269mm $d_1=244.33$) and 23T (outer diameter 400mm $d_2=373.07$) with similar PCD,

③ $F'mb=6620$ (kgf) will be largest.

RS160-1 cannot be used because its maximum allowable load is 5400 kgf.

RS160-SUP-1 can be used because its maximum allowable load is 7200 kgf.

Since a sprocket bore diameter with 15T is up to 95mm, and 23T is up to 118mm, it can be used for a drive shaft diameter of 66mm, and driven shaft diameter of 94mm.

With the distance between shafts at 500mm, a sprocket with 15T ($d_1=244.33$) and 23T ($d_2=373.07$) can be used.

Number of links will be 40 links.

◆ Selection results

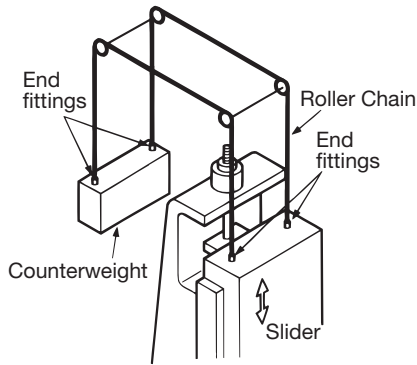
Condition	Step	Model Number	Sprocket	Number of links	Lubrication method
Starting frequency 6 times or less	Step 2	RS120-1	21T×31T	54 links	AII
Starting frequency 6 times or more with cushioned start	Step 3	RS120-2	21T×31T	54 links	AII
		RS140-SUP-1	18T×26T	46 links	B
Starting frequency 6 times or more without cushioned start	Step 3	RS120-3	21T×31T	54 links	AII
		RS120-SUP-2			B
	Step 4	RS160-SUP-1	15T×23T	40 links	B

Note: 1. Refer to the kilowatt ratings tables for the lubrication method of each chain size and type.
2. All shaft distances need to be adjusted.

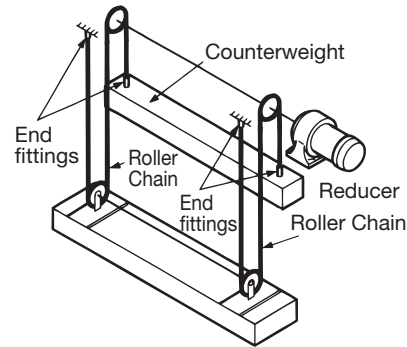
7. Lifting Transmission Examples

There are many examples of where chain is used for lifting. By making use of Roller Chain features, choosing the right chain, and following some important points, it is possible to use Roller Chain for lifting transmissions. Typical lifting applications are illustrated below. (Please give special consideration to safety devices.)

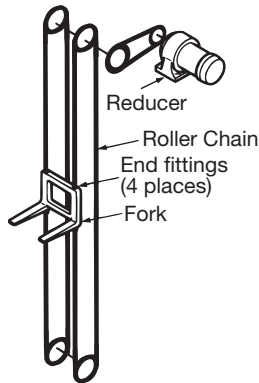
◆ Balancing



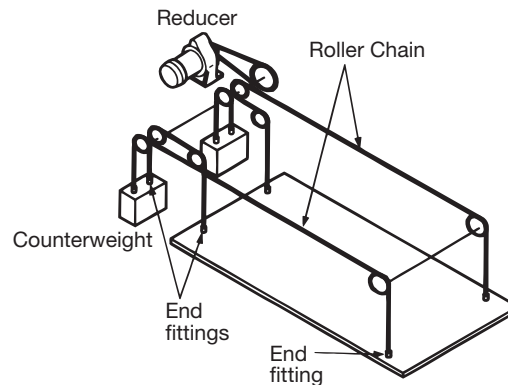
◆ Lifting equipment (1)



◆ Lifting equipment (2)



◆ Lifting equipment (3)



Precautions for When Selecting Roller Chain for Lifting Applications

1. Regulations

If there are any laws or guidelines for chain selection, check and calculate accordingly. Make sure to follow the manufacturer's selections and select the safer of the two selections.

2. Connecting links

Use F-type (press-fit) connecting links. Offset links cannot be used.

3. Lubrication

Remove as much as possible the load that acts on the chain joints before lubing the chain. Sufficient lubrication is also required at end fittings (end bolts and connecting links, etc.) and connecting parts.

◆ Weight required for counterweight to prevent sprocket tooth-jumping when using Roller Chain in lifting transmission applications

$$T_k = T_o \times \{\sin\phi / \sin(\phi + 2\alpha)\}^{K-1}$$

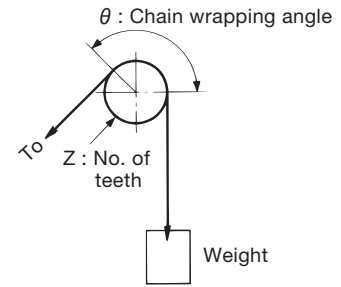
T_k : Minimum weight tension (minimum back-tension)

T_o : Roller Chain tension

ϕ : Sprocket minimum pressure angle $\phi = 17^\circ - \frac{64^\circ}{Z}$

2α : Sprocket dividing angle $2\alpha = \frac{360^\circ}{Z}$

K : Engaging no. of teeth $K = \frac{\theta}{360^\circ} \times Z \dots$ Round up to the nearest whole number to be safe.



If $T_o = 10.8 \text{ kN}$ {1100 kgf}, $Z = 13$, and $\theta = 120^\circ$, then

$$\phi = 17^\circ - \frac{64^\circ}{Z} = 17^\circ - \frac{64^\circ}{13} = 12.077$$

$$2\alpha = \frac{360^\circ}{Z} = \frac{360^\circ}{13} = 27.692$$

$$K = \frac{\theta}{360^\circ} \times Z = \frac{120^\circ}{360^\circ} \times 13 = 4.33 \dots K = 4$$

$$T_k = 1100 \times \{\sin 12.077 / \sin(12.077 + 27.692)\}^{4-1} = 38.5(\text{kg})$$

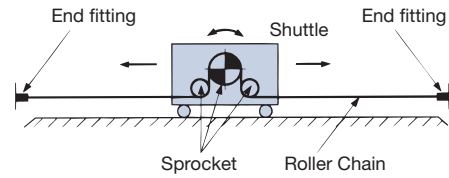
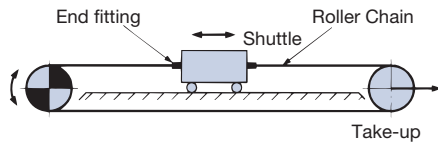
Accordingly, tooth-jumping will not occur if a 39 kg weight is used. However, this will change depending on the layout and amount of wear on the Roller Chain and sprocket teeth. Please use the above as a reference.

8. Shuttle Traction Examples

The following are typical examples of using Roller Chain for shuttle traction. The roller chain can be attached to the shuttle with an end fitting and towed using a sprocket on one end (left figure), or the driving unit can be attached to the shuttle, with a roller chain fixed to both ends using end fittings (right figure).

There are similar ways to tow a shuttle at an angle. With the left figure the drive sprocket would be set at the top of the incline.

☉ : Drive side



Precautions for When Selecting Roller Chain for Shuttle Traction

1. Regulations

If there are any laws or guidelines for chain selection, check and calculate accordingly. Make sure to follow the manufacturer's selections and select the safer of the two selections.

2. Connecting links

Use F-Type (press-fit) connecting links. M-Type connecting links can only be used if there is minimal shock with no lateral force. Offset links cannot be used.

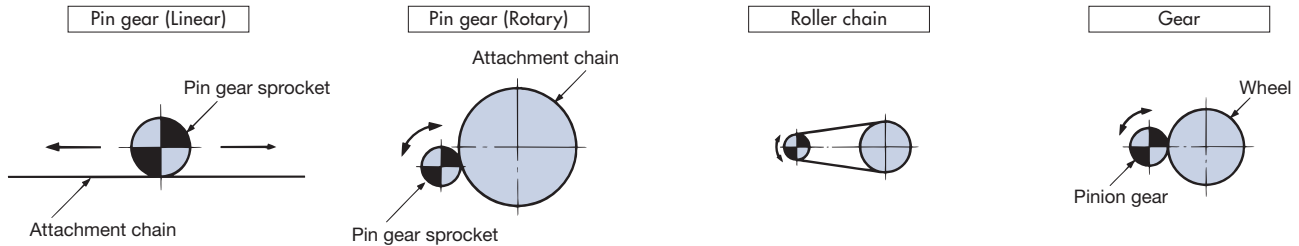
3. Lubrication

Remove as much as possible the load that acts on the chain joints before lubing the chain. Sufficient lubrication is also required at end fittings (end bolts and connecting links, etc.) and connecting parts.

9. Chain Type Pin Gears

Generally, linear movement or large radius rotation is made possible by a roller chain and gear through a transmission source (motor, etc.) via a reducer.

A roller chain, however, needs a lot of space, and gears require precision machining, which increases the cost. A pin gear is ideal in these situations.



For pin gear drives, a roller chain is wrapped around the perimeter of a drum to make a wheel, and special sprockets are used instead of pinion gears.

For linear motion, a roller chain is attached and used linearly instead of a rack.

Item	Pin gear drive	Roller chain transmission	Gear transmission
Restrictions on distance between shafts	Yes	No	Yes
Number of engaged teeth	Low	High	Low
Speed ratio range	No limit	Up to 1:7	No limit
Tooth shape	Special teeth	Sprocket teeth	Involute
Engagement accuracy	Normal	Normal	Precise

9.1 Characteristics of pin gears

1. Economical at large speed ratios (1:5 or larger), especially when the drum has a large diameter.
2. Roller chain attachments are bolted onto the drum for easy installation and maintenance.
3. Design freedom in drum diameter, linear length, etc.
4. A pin gear is not suitable for ultra precise drives, and the noise level is high compared to gears. However, they do not require high installation accuracy nor precision machining as with gears.
5. Grease lubrication can be used.

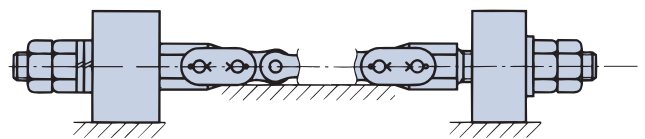
9.2 Chain installation and precautions

1. When used linearly (rack) with rollers facing up:

◆ Use standard roller chain.

Connecting links are used on both ends, and fittings are attached and bolts and nuts are fastened to remove any slack. Both ends need to be secured snugly with double nuts. Do not use a rail for the rollers, as the teeth of the pin gear sprocket may interfere with the rail.

Using RS roller chains is not recommended as tooth slipping and interference can occur.

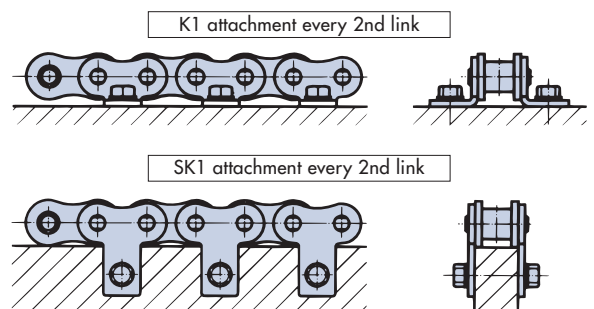


◆ Use an attachment roller chain.

Attach K1 or SK1 attachments every 2nd link and fasten with bolts and nuts every 2nd or 4th link with chain pulled taut so there is no slack or meandering. K attachments are recommended. The attachment holes are processed on-site.

Note: Do not use a rail for the rollers when using SK1 attachments, as the teeth of the pin gear sprocket may interfere with the rail.

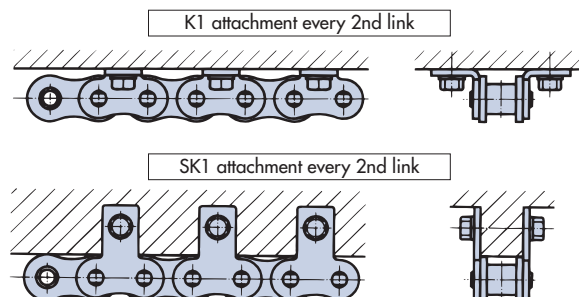
Use bolts with a strength class 8.8 or higher (JIS B 1051 : 2014, nominal tensile strength 800 MPa or higher). (SCM435 heat treated bolts, etc.)



Note: Chain length should be designed to be longer than the travel distance to accommodate overrun based on usage conditions.

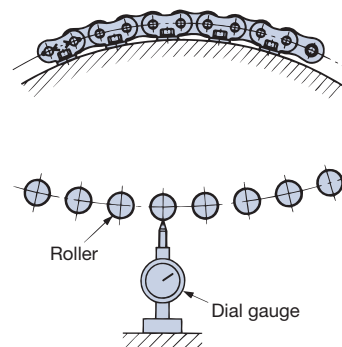
2. When used linearly (rack) with rollers facing down:

Attach K1 or SK1 attachments every 2nd link and fasten with bolts and nuts every 2nd link with chain pulled taut so there is no slack or meandering. Do not use a rail for the rollers.



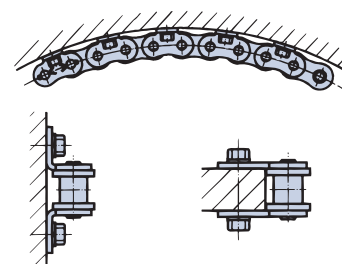
3. When wrapped partially or totally around the outside of a drum:

- ◆ Attachment chain length is in the range of -0.05 to 0.15% of standard length (nominal pitch x number of links). When the chain is wrapped around a drum, shims need to be used between the drum and the chain attachments to eliminate slack.
- ◆ Since K attachments can be adjusted with shims, they can be attached onto the drum more easily than SK attachments.
- ◆ When the drum is not perfectly round, the thickness of the shims needs to be adjusted while the chain is wrapped around the drum so the radius is circular. As shown to the right, a dial gauge or a surface gauge can be used for adjustment.
- ◆ Process drum-side tap holes to fit the holes of the chain attachments.



4. When wrapped partially or totally around the inside of a drum:

- ◆ The sprockets have specially shaped teeth. Contact a Tsubaki representative.

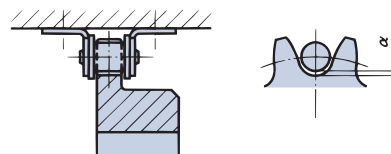


5. When used for lateral wrapping (horizontal drive):

- ◆ See section 3.
- ◆ Contact a Tsubaki representative for internal fits.

6. Sprocket attachment

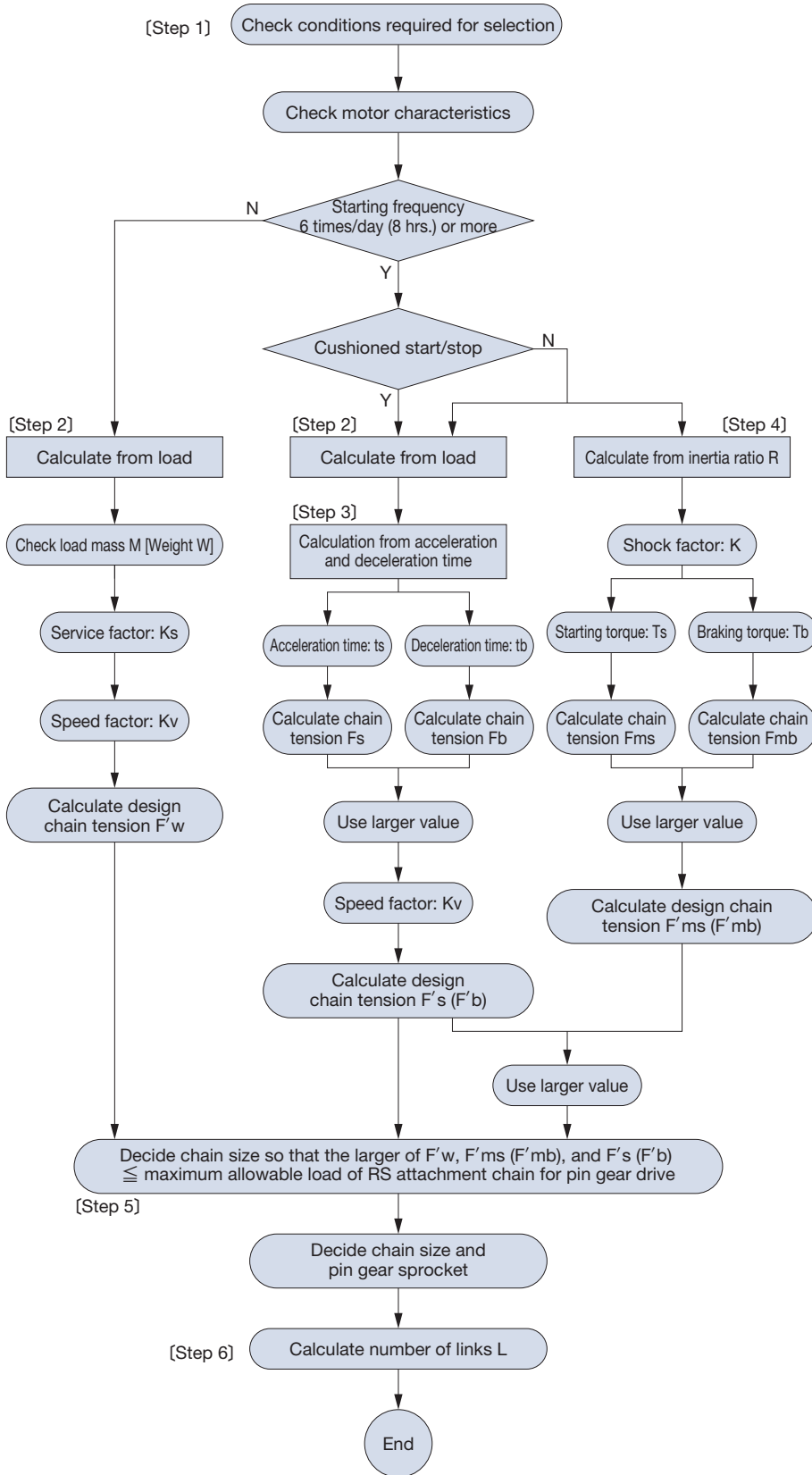
- ◆ Use a chain-type pin gear sprocket.
- ◆ Adjust the sprocket mounting shaft so that unwanted strong contact with the sprocket tooth face does not occur. RS curved chain will make contact with the sprocket tooth face because the chain bends sideways.
- ◆ The clearance a between the rollers and the bottom of the sprocket teeth should be less than the dimensions shown in the right table. The bottom of the teeth and rollers should not touch each other.
- ◆ If there is a possibility that the clearance mentioned above cannot be guaranteed during operation due to drive or environmental conditions, a tooth profile design having a large a will be required. Contact a Tsubaki representative.



Chain size	a
RS80 or less	1.0mm
RS100 to RS180	1.5mm
RS200 or more	2.0mm

10. Chain Type Pin Gear Drive Selection Method

Procedures



1. Speed considerations

This selection method can be applied when the relative chain speed is 50 m/min or less.

(Examples: 50 m/min or less)

- When a linear application is being considered: Switch to a winding method such as a roll drive
- When a wrapping application is being considered: Change the chain mounting diameter to a smaller value

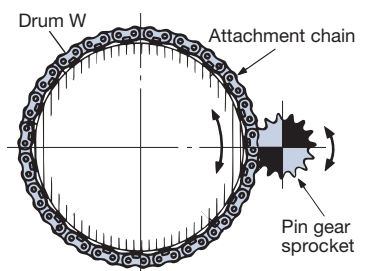
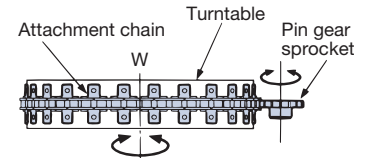
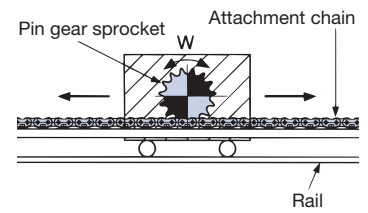
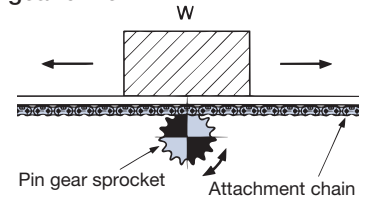
Pin gear speed factor Kv

Relative chain speed m/min	Pin gear speed factor
0 to 15	1.0
15 to 30	1.2
30 to 50	1.4

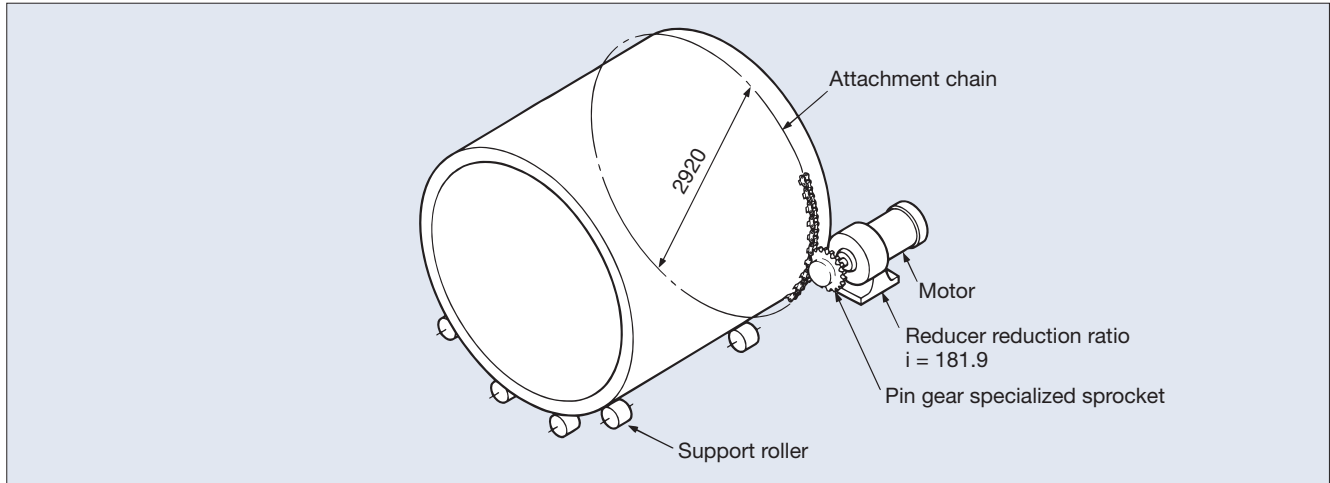
2. Sprocket considerations

Use a chain-type pin gear sprocket with 13 or more teeth; 18 teeth are recommended.

3. Examples of chain-type pin gear drive



◆ Pin gear drive selection example



SI units

[Step 1] Check machine and motor characteristics

Machine Cutting machine
 Motor 15 kW, 4P, 1750 rpm

Motor moment of inertia I_m = 0.00425 kg·m²

Starting torque T_s 290%
 Maximum (stalling) torque T_{max} 305%
 Braking torque T_b 180%
 Reducer reduction ratio i 181.9
 Forward and reverse operation frequency Max. 900 times/hour
 Sprocket pitch circle diameter (PCD) Approx. φ220 mm

Moment of inertia for the motor shaft converted load I_t = 0.00072 kg·m²

There is no slack in the chain.

[Step 2] Calculation from load

Revolution speed of the pin gear drive sprocket $n = 1750 \times \frac{1}{181.9} = 9.6$ (r/min)

Relative chain speed $V = \frac{220 \times \pi \times 9.6}{1000} = 6.6$ (m/min) ... Speed factor K_v = 1.0

Some impact assumed from cutting machine Service factor K_s = 1.3

Load is calculated from the torque on the drive side as the mass of the load is unknown.

$$\begin{aligned} \text{Rated torque of the motor } T_n &= 9.55 \times \frac{\text{kW}}{n_1} \\ &= 9.55 \times \frac{1.5}{1750} \\ &= 0.00819 \text{ (kN}\cdot\text{m)} \end{aligned}$$

Pin gear drive sprocket shaft torque

$$\begin{aligned} T &= T_n \times i = 0.00819 \times 181.9 \\ &= 1.49 \text{ (kN}\cdot\text{m)} \end{aligned}$$

Chain working tension F

$$\begin{aligned} F &= \frac{2T}{d} = \frac{2 \times 1.49}{\frac{220}{1000}} \\ &= 13.6 \text{ (kN)} \end{aligned}$$

Design chain tension F'w = F × K_s × K_v = 13.6 × 1.3 × 1.0 = 17.7 (kN) ①

{Gravimetric units}

[Step 1] Check machine and motor characteristics

Machine Cutting machine
 Motor 15 kW, 4P, 1750 rpm

GD² of the motor GD² = 0.017 kgf·m²

Starting torque T_s 290%
 Maximum (stalling) torque T_{max} 305%
 Braking torque T_b 180%
 Reducer reduction ratio i 181.9
 Forward and reverse operation frequency Max. 900 times/hour
 Sprocket pitch circle diameter (PCD) Approx. φ220 mm

GD² of the motor shaft converted load GD²_t = 0.00288 kgf·m²

There is no slack in the chain.

[Step 2] Calculation from load

$$\begin{aligned} \text{Rated torque of the motor } T_n &= 974 \times \frac{\text{kW}}{n_1} \\ &= 974 \times \frac{1.5}{1750} \\ &= 0.835 \text{ (kgf}\cdot\text{m)} \end{aligned}$$

Pin gear drive sprocket shaft torque

$$\begin{aligned} T &= T_n \times i = 0.835 \times 181.9 \\ &= 152 \text{ (kgf}\cdot\text{m)} \end{aligned}$$

Chain working tension F

$$\begin{aligned} F &= \frac{2T}{d} = \frac{2 \times 152}{\frac{220}{1000}} \\ &= 1380 \text{ (kgf)} \end{aligned}$$

Design chain tension F'w = F × K_s × K_v = 1380 × 1.3 × 1.0 = 1790 (kgf) ①

SI units

[Step 3] Calculation based on acceleration and deceleration time

$$\begin{aligned} \text{Working torque } T_m &= \frac{T_s + T_b}{2 \times 100} \times T_n = \frac{290 + 305}{2 \times 100} \times 0.00819 \\ &= 0.0244 \text{ (kN}\cdot\text{m)} \end{aligned}$$

As the load is unknown, the rated torque of the motor is $T_n = T_\ell$ and the load torque $T_\ell = 0.00819(\text{kN}\cdot\text{m})\{0.835\text{kgf}\cdot\text{m}\}$

$$\begin{aligned} \text{Acceleration time } t_s &= \frac{(I_m + I_\ell) \times n_1}{9550 \times (T_m - T_\ell)} \\ &= \frac{(0.00425 + 0.00072) \times 1750}{9550 \times (0.0244 - 0.00819)} \\ &= 0.056 \text{ (s)} \end{aligned}$$

Motor braking torque $T_b = 0.00819 \times 1.8 = 0.0147(\text{kN}\cdot\text{m})$

$$\begin{aligned} \text{Deceleration time } t_b &= \frac{(I_m + I_\ell) \times n_1}{9550 \times (T_b + T_\ell)} \\ &= \frac{(0.00425 + 0.00072) \times 1750}{9550 \times (0.0147 + 0.00819)} \\ &= 0.040 \text{ (s)} \end{aligned}$$

Moment of inertia I for the motor shaft converted load $I_\ell = 0.00072(\text{kg}\cdot\text{m}^2)$

$F_w = F = 13.6(\text{kN})$ [value from Step 2]

$t_b < t_s$, so find the chain tension during deceleration.

Motor shaft angular velocity $\omega = 2\pi \times n_1 = 2\pi \times 1750 = 11000 \text{ (rad)}$

$$\begin{aligned} \text{Motor shaft angular deceleration } \omega_b &= \frac{\omega}{60 \times t_b} = \frac{11000}{60 \times 0.040} \\ &= 4580 \text{ (rad/s}^2\text{)} \end{aligned}$$

$$\begin{aligned} \text{Chain tension during deceleration } F_b &= \frac{I_\ell \times \omega_b \times i}{1000 \times \left\{ \frac{d}{(2 \times 1000)} \right\}} + F_w \\ &= \frac{0.00072 \times 4580 \times 181.9}{1000 \times \left\{ \frac{220}{(2 \times 1000)} \right\}} + 13.6 \\ &= 19.1 \text{ (kN)} \end{aligned}$$

Design chain tension during deceleration

$$\begin{aligned} F'_b &= F_b \times K_v = 19.1 \times 1.0 \\ &= 19.1 \text{ (kN)} \dots\dots\dots \textcircled{2} \end{aligned}$$

[Step 4] Calculation based on the inertia ratio R

$$\begin{aligned} \text{Inertia ratio } R &= \frac{I_\ell}{I_m} = \frac{0.00072}{0.00425} \\ &= 0.17 \end{aligned}$$

According to Table 4, impact factor $K = 0.23$ (There is no play in the drive transmission equipment as $R < 0.2$, $R = 0.2$.)

$$\begin{aligned} \text{Chain tension at start-up } F_{ms} &= \frac{T_s \times i}{\left(\frac{d}{2 \times 1000} \right) \times 100} \times T_n \\ &= \frac{290 \times 181.9}{\left(\frac{220}{2 \times 1000} \right) \times 100} \times 0.00819 \\ &= 39.3 \text{ (kN)} \end{aligned}$$

$$\begin{aligned} \text{Chain tension at stop } F_{mb} &= \frac{T_b \times i}{\left(\frac{d}{2 \times 1000} \right) \times 100} \times T_n \times 1.2 \\ &= \frac{180 \times 181.9}{\left(\frac{220}{2 \times 1000} \right) \times 100} \times 0.00819 \times 1.2 \\ &= 29.3 \text{ (kN)} \end{aligned}$$

As $F_{ms} > F_{mb}$,

$$\begin{aligned} \text{Design chain tension } F'_{ms} &= F_{ms} \times K \times K_v = 39.3 \times 0.23 \times 1.0 \\ &= 9.04 \text{ (kN)} \dots\dots\dots \textcircled{3} \end{aligned}$$

{Gravimetric units}

[Step 3] Calculation based on acceleration and deceleration time

$$\begin{aligned} \text{Working torque } T_m &= \frac{T_s + T_b}{2 \times 100} \times T_n = \frac{290 + 305}{2 \times 100} \times 0.835 \\ &= 2.48 \text{ (kgf}\cdot\text{m)} \end{aligned}$$

As the load is unknown, the rated torque of the motor is $T_n = T_\ell$ and the load torque $T_\ell = 0.00819(\text{kN}\cdot\text{m})\{0.835\text{kgf}\cdot\text{m}\}$

$$\begin{aligned} \text{Acceleration time } t_s &= \frac{(GD^2_m + GD^2_\ell) \times n_1}{375 \times (T_m - T_\ell)} \\ &= \frac{(0.017 + 0.00288) \times 1750}{375 \times (2.48 - 0.835)} \\ &= 0.056 \text{ (s)} \end{aligned}$$

Motor braking torque $T_b = 0.835 \times 1.8 = 1.50(\text{kgf}\cdot\text{m})$

$$\begin{aligned} \text{Deceleration time } t_b &= \frac{(GD^2_m + GD^2_\ell) \times n_1}{375 \times (T_b + T_\ell)} \\ &= \frac{(0.017 + 0.00288) \times 1750}{375 \times (1.5 + 0.835)} \\ &= 0.040 \text{ (s)} \end{aligned}$$

GD^2 for the motor shaft converted load $GD^2_\ell = 0.00288(\text{kgf}\cdot\text{m}^2)$

$F_w = F = 1380(\text{kgf})$ [value from Step 2]

$t_b < t_s$, so find the chain tension during deceleration.

Motor shaft angular velocity $\omega = 2\pi \times n_1 = 2\pi \times 1750 = 11000 \text{ (rad)}$

$$\begin{aligned} \text{Motor shaft angular deceleration } \omega_b &= \frac{\omega}{60 \times t_b} = \frac{11000}{60 \times 0.040} \\ &= 4580 \text{ (rad/s}^2\text{)} \end{aligned}$$

$$\begin{aligned} \text{Chain tension during deceleration } F_b &= \frac{GD^2_\ell / 4 \times \omega_b \times i}{\left\{ \frac{d}{(2 \times 1000)} \right\} \times G} + F_w \\ &= \frac{0.00288 / 4 \times 4580 \times 181.9}{\left\{ \frac{220}{(2 \times 1000)} \right\} \times 9.80665} + 1380 \\ &= 1940 \text{ (kgf)} \end{aligned}$$

Design chain tension during deceleration

$$\begin{aligned} F'_b &= F_b \times K_v = 1940 \times 1.0 \\ &= 1940 \text{ (kgf)} \dots\dots\dots \textcircled{2} \end{aligned}$$

[Step 4] Calculation based on the inertia ratio R

$$\begin{aligned} \text{Inertia ratio } R &= \frac{GD^2_\ell}{GD^2_m} = \frac{0.00288}{0.017} \\ &= 0.17 \end{aligned}$$

According to Table 4, impact factor $K = 0.23$ (There is no play in the drive transmission equipment as $R < 0.2$, $R = 0.2$.)

$$\begin{aligned} \text{Chain tension at start-up } F_{ms} &= \frac{T_s \times i}{\left(\frac{d}{2 \times 1000} \right) \times 100} \times T_n \\ &= \frac{290 \times 181.9}{\left(\frac{220}{2 \times 1000} \right) \times 100} \times 0.835 \\ &= 4000 \text{ (kgf)} \end{aligned}$$

$$\begin{aligned} \text{Chain tension at stop } F_{mb} &= \frac{T_b \times i}{\left(\frac{d}{2 \times 1000} \right) \times 100} \times T_n \times 1.2 \\ &= \frac{180 \times 181.9}{\left(\frac{220}{2 \times 1000} \right) \times 100} \times 0.835 \times 1.2 \\ &= 2980 \text{ (kgf)} \end{aligned}$$

As $F_{ms} > F_{mb}$,

$$\begin{aligned} \text{Design chain tension } F'_{ms} &= F_{ms} \times K \times K_v = 4000 \times 0.23 \times 1.0 \\ &= 920 \text{ (kgf)} \dots\dots\dots \textcircled{3} \end{aligned}$$

SI units

{Gravimetric units}

[Step 5] Comparison of ①, ②, and ③

Comparing ①, ②, and ③, an attachment chain for pin gears that meets 19.1kN {1940 kgf}, the maximum working load ② is selected. The maximum allowable load for RS120 attachment chain with pin gear use is 20.6 kN {2100 kgf}, which is acceptable. A sprocket with 18 teeth (PCD = 222.49 mm) is selected as tentative from the pitch circle diameter of the pin gear sprocket approx. $\phi 220$.

Steps 2, 3, and 4 are calculated again here.

[Step 2]

$$F = \frac{2T}{d} = \frac{2 \times 1.49}{\frac{222.49}{1000}} = 13.4 \text{ (kN)}$$

$$F'w = F \times K_s \times K_v = 13.4 \times 1.3 \times 1.0 = 17.4 \text{ (kN)}$$

[Step 3]

$$F_b = \frac{I_e \times \omega b \times i}{1000 \times \left\{ \frac{d}{(2 \times 1000)} \right\}} + F_w$$

$$= \frac{0.00072 \times 4580 \times 181.9}{1000 \times \left\{ \frac{220}{(2 \times 1000)} \right\}} + 13.4$$

$$= 18.8 \text{ (kN)}$$

Design chain tension during deceleration

$$F'b = F_b \times K_v$$

$$= 18.8 \times 1.0$$

$$= 18.8 \text{ (kN)}$$

[Step 4]

$$F_{ms} = \frac{T_s \times i}{\left(\frac{d}{2 \times 1000} \right) \times 100} \times T_n$$

$$= \frac{290 \times 181.9}{\left(\frac{222.49}{2 \times 1000} \right) \times 100} \times 0.00819$$

$$= 38.8 \text{ (kN)}$$

Design chain tension

$$F'_{ms} = F_{ms} \times K \times K_v$$

$$= 38.8 \times 0.23 \times 1.0$$

$$= 8.92 \text{ (kN)}$$

Either design chain tension is within the maximum allowable load, so a chain with pin gear attachments and a pin gear sprocket can be used.

[Step 6] Calculation of the number of links L

$$\text{Calculating number of links } L = \frac{180^\circ}{\tan^{-1} \left(\frac{P}{D+2S} \right)} = \frac{180^\circ}{\tan^{-1} \left(\frac{38.1}{2920} \right)} = 240.8 \rightarrow 242 \text{ links}$$

Corresponding standard length for 242 links ($38.1 \times 242 = 9220.2\text{mm}$) $D+2S = 2935 \text{ mm}$

◆ Selection results

Chain model number: **RS120-2LK1+242L-JR**

Sprocket model number: **RS120-1** **18TQ-G** (Enter hub model in the blank.)

[Step 5] Comparison of ①, ②, and ③

Steps 2, 3, and 4 are calculated again here.

[Step 2]

$$F = \frac{2T}{d} = \frac{2 \times 152}{\frac{222.49}{1000}} = 1370 \text{ (kgf)}$$

$$F'w = F \times K_s \times K_v = 1370 \times 1.3 \times 1.0 = 1780 \text{ (kgf)}$$

[Step 3]

$$F_b = \frac{GD_v^2/4 \times \omega b \times i}{\left\{ \frac{d}{(2 \times 1000)} \right\} \times G} + F_w$$

$$= \frac{0.00288/4 \times 4580 \times 181.9}{\left\{ \frac{222.49}{(2 \times 1000)} \right\} \times 9.80665} + 1380$$

$$= 1930 \text{ (kgf)}$$

Design chain tension during deceleration

$$F'b = F_b \times K_v$$

$$= 1930 \times 1.0$$

$$= 1930 \text{ (kgf)}$$

[Step 4]

$$F_{ms} = \frac{T_s \times i}{\left(\frac{d}{2 \times 1000} \right) \times 100} \times T_n$$

$$= \frac{290 \times 181.9}{\left(\frac{222.49}{2 \times 1000} \right) \times 100} \times 0.835$$

$$= 3960 \text{ (kgf)}$$

Design chain tension

$$F'_{ms} = F_{ms} \times K \times K_v$$

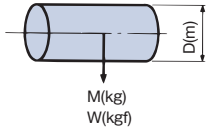
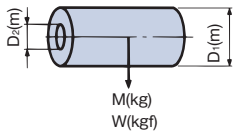
$$= 3960 \times 0.23 \times 1.0$$

$$= 911 \text{ (kgf)}$$

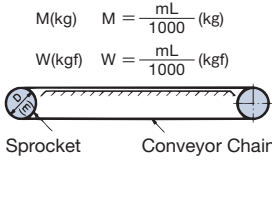
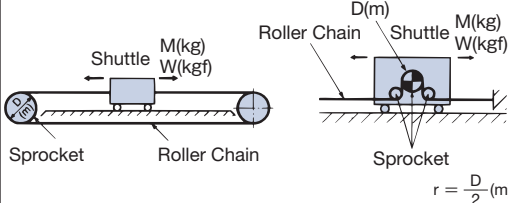
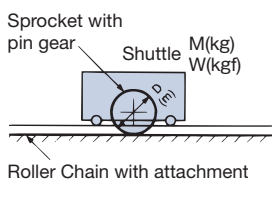
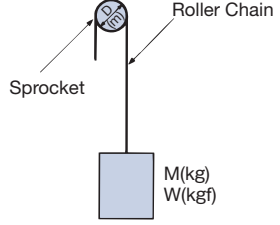
[Step 6] Calculation of the number of links L

11. Calculating Moment of Inertia

◆ **Rotating body**

Shape	Outline	I (moment of inertia) calculation method (SI unit)	{GD ² calculation method} (gravimetric unit)
Right cylinder		$I = \frac{1}{2} Mr^2$ (kg·m ²)	$GD^2 = \frac{1}{2} WD^2$ (kgf·m ²)
Hollow right cylinder		$I = \frac{1}{2} M(r_1^2 + r_2^2)$ (kg·m ²)	$GD^2 = \frac{1}{2} W(D_1^2 + D_2^2)$ (kgf·m ²)
		SI unit	{Gravimetric unit}
Moment of inertia (I) and fly wheel effect (GD ²)		1 kg·m ² (I)	4 kgf·m ² (GD ²)

◆ **Linear body**

Drive	Outline	I (moment of inertia) calculation method (SI unit)	{GD ² calculation method} (gravimetric unit)
Chain		$I = Mr^2$ (kg·m ²)	$GD^2 = WD^2$ (kgf·m ²)
Shuttle traction		$I = Mr^2$ (kg·m ²)	$GD^2 = WD^2$ (kgf·m ²)
Pin gear drive		$I = Mr^2$ (kg·m ²)	$GD^2 = WD^2$ (kgf·m ²)
Lifting transmission		$I = Mr^2$ (kg·m ²)	$GD^2 = WD^2$ (kgf·m ²)
To convert moment of inertia load to motor shaft n ₁ : Motor shaft rotating speed n ₂ : Load shaft rotating speed		Moment of inertia load I $I_e = \left(\frac{n_2}{n_1}\right)^2 I$ $= \frac{I}{i^2}$ (kg·m ²) $I_e = M \left(\frac{V}{2\pi n_1}\right)^2$ (kg·m ²)	Moment of inertia GD ² load $GD_{e}^2 = \left(\frac{n_2}{n_1}\right)^2 GD^2$ $= \frac{GD^2}{i^2}$ (kgf·m ²) $GD_{e}^2 = W \left(\frac{V}{\pi n_1}\right)^2$ (kgf·m ²)

Note: The above does not include the mass of the sprocket and chain.

12. Temperature Selection Method

12.1 RS Roller Chain temperature selection method

Allow for chain strength degradation from temperature.

Lubrication should be carried out using a suitable lubricant according to the operating temperatures.

◆ Problems with roller chain transmission at high temperatures

1. Increased wear due to hardness reduction
2. Increased elongation due to softening
3. Poor articulation and increased wear due to oil degradation and carburization
4. Increased wear and poor articulation due to scaling

◆ Problems with roller chain transmission at low temperatures

1. Reduction of impact strength due to low temperature brittleness
2. Solidification of lubricant or deterioration of fluidity
3. Poor articulation due to frost and ice adhesion

Maximum allowable load of RS Roller Chain at high and low temperatures

Temperature	RS roller chain		RS cold resistant chain
	RS60 or under	RS80 or over	
Below -60°C	-	-	Unusable
-60°C to -50°C	-	-	Catalog value × 1/2
-50°C to -40°C	-	Unusable	Catalog value × 2/3
-40°C to -30°C	Unusable	Catalog value × 1/4	Catalog value
-30°C to -20°C	Catalog value × 1/4	Catalog value × 1/3	Catalog value
-20°C to -10°C	Catalog value × 1/3	Catalog value × 1/2	Catalog value
-10°C to 60°C	Catalog value	Catalog value	Catalog value
60°C to 150°C	Catalog value	Catalog value	Catalog value
150°C to 200°C	Catalog value × 3/4	Catalog value × 3/4	Unusable
200°C to 250°C	Catalog value × 1/2	Catalog value × 1/2	-
Over 250°C	Unusable	Unusable	-

Note: 1. Select using allowable load selection method. 2. The ambient temperature is different from the temperature of the roller chain itself. We recommend selection based on the roller chain's temperature.

12.2 Lambda Chain KF Series selection method

Use the general selection method based on kilowatt ratings tables.

Allow for chain strength degradation from temperature.

Multiply the values in the lube-free drive chain kilowatt ratings table by the coefficients below. Use a chain speed lower than the allowable speed shown in the table of dimensions and specifications for lube-free drive chains.

Kilowatt ratings of lube-free drive chains at high temperatures

Temperature	Kilowatt ratings
150°C to 200°C	Catalog value × 3/4
200°C to 230°C	Catalog value × 1/2

12.3 Selection method for Stainless Steel Roller Chain (SS and NS series) at high temperatures (400°C or higher)

As the temperature of a chain increases, its strength decreases. The usage limit at high temperatures is determined by the temperature of the chain itself. Contact a Tsubaki representative when using stainless steel chain at ambient temperatures of 400°C or higher. However, chain cannot be used at 700°C or higher. When a chain is selected using the temperature selection method, the chain speed must be below 50 m/min. The speed of chains having a pitch of 57.15 mm or greater must not exceed the upper limit speed determined under the Allowable Load Selection Method.

Cautions associated with high-temperature environments are:

1. All clearances need to be adjusted to prevent poor articulation and poor roller rotation due to thermal expansion.
2. The chain may break (creep rupture) under low loads as the temperature increases.

13. Special Selection Method for Corrosion Resistant Roller Chain

When selecting Corrosion Resistant Chain use the allowable load selection method.

1. The maximum allowable load for certain Corrosion Resistant Chain models is low compared to standard RS Roller Chain.
2. Avoid using offset links when possible.
3. Refer to the following page when acid or alkali solutions or chemicals will come in direct contact with the chain.

13.1 Selection formula

$$\boxed{\text{Maximum working load applied to the chain}} \times \boxed{\text{Service factor } K_s} \times \boxed{\text{RPM } K_n} \times \boxed{\text{Number of teeth factor } K_z} \leq \boxed{\text{Maximum allowable load of the chain}}$$

14. Corrosion Resistance Guide for Corrosion Resistant Chains and Sprockets

Corrosion resistance varies accordingly depending on application conditions. This table should not be considered as a guarantee. Using this chart as a reference, be sure to check the corrosion resistance of the chain in advance according to the actual operating conditions determining chain type.

○: Sufficient corrosion resistance △: Corrosion resistance in some applications ×: No corrosion resistance —: Unknown

Chemical/ food product	Corrosion-resistant drive chain								Sprocket	
	SS	LSC	AS	NS	TI	PC	PCSY	Engineering plastic	SS	Engineering plastic
Acetic acid 10% 20°C	○	○	○	○	○	○	○	△	○	○
Acetone 20°C	○	○	○	○	○	○	×	○	○	○
Alcohol (Methyl, ethyl, propyl, and butyl)	○	○	○	○	○	○	○	○	○	○
Aluminum sulfate Saturated 20°C	○	○	×	○	○	—	—	—	○	○
Ammonia water 20°C	○	○	○	○	○	○	○	○	○	○
Ammonium chloride 50% Boiling point	△	△	×	○	○	—	—	—	△	○
Ammonium nitrate Saturated Boiling	○	○	○	○	○	△	○	○	○	○
Ammonium sulfate Saturated 20°C	○	○	△	○	○	—	—	—	○	○
Beer 20°C	○	○	○	○	○	○	○	○	○	○
Benzene 20°C	○	○	○	○	○	○	○	○	○	○
Boric acid 50% 100°C	○	—	○	○	○	—	—	—	○	○
Butyric acid 20°C	○	—	○	○	○	○	—	○	○	○
Calcium chloride Saturated 20°C	△	—	×	○	○	△	○	○	△	○
Calcium hydroxide 20% Boiling	○	—	○	○	○	○	○	—	○	○
Calcium hypochlorite (bleaching powder) Available chlorine 11-14% 20°C	○	—	×	○	○	×	○	△	○	○
Carbolic acid 20°C	○	—	○	○	○	×	○	×	○	○
Carbon tetrachloride (Dry) 20°C	○	○	○	○	○	○	○	○	○	○
Carbonated water	○	○	○	○	○	—	—	—	○	○
Chlorine gas (Dry) 20°C	△	—	×	△	○	—	○	×	△	○
Chlorine gas (Wet) 20°C	×	×	×	△	○	—	○	×	×	○
Chlorine water	×	×	×	○	○	×	—	×	×	○
Chromic acid 5% 20°C	○	○	△	○	○	×	○	×	○	○
Citric acid 50% 20°C	○	○	○	○	○	—	○	○	○	○
Coffee Boiling	○	○	○	○	○	○	○	○	○	○
Cola syrup	○	○	○	○	○	○	○	○	○	○
Concentrated nitric acid 65% 20°C	○	×	×	○	○	×	○	×	○	○
Concentrated nitric acid 65% Boiling	△	×	×	△	○	×	×	×	△	○
Creosote 20°C	○	—	○	○	○	—	—	—	○	○
Developing solution (Photo) 20°C	○	—	△	○	○	○	○	○	○	○
Ether (Ethyl ether) 20°C	○	○	○	○	○	○	○	○	○	○
Ferric chloride 5% 20°C	△	△	×	△	○	—	—	×	△	○
Formalin (Formaldehyde) 40% 20°C	○	○	○	○	○	—	—	△	○	○
Formic acid 50% 20°C	○	×	○	○	○	×	○	×	○	○
Fruit juice 20°C	○	○	△	○	○	○	○	○	○	○
Gasoline 20°C	○	○	○	○	○	○	○	○	○	○
Glycerine 20°C	○	○	○	○	○	○	○	○	○	○
Honey, syrup	○	○	○	○	○	○	○	○	○	○
Hydrochloric acid 2% 20°C	×	×	×	×	○	×	○	×	×	○
Hydrogen peroxide 30% 20°C	○	—	△	○	○	×	○	×	○	○
Hydrogen sulfide (Dry)	○	—	○	○	○	○	○	○	○	○
Hydrogen sulfide (Wet)	×	×	×	×	○	×	—	—	×	○
Kerosene 20°C	○	○	○	○	○	—	○	—	○	○
Ketchup 20°C	○	○	○	○	○	○	○	○	○	○
Lactic acid 10% 20°C	○	○	△	○	○	○	—	○	○	○
Lard	○	—	○	○	○	—	—	—	○	○
Linseed oil 100% 20°C	○	—	△	○	○	○	—	○	○	○

Chemical/ food product	Corrosion-resistant drive chain								Sprocket	
	SS	LSC	AS	NS	TI	PC	PCSY	Engineering plastic	SS	Engineering plastic
Malic acid 50% 50°C	○	○	○	○	○	○	○	○	○	○
Mayonnaise 20°C	○	○	△	○	○	○	○	○	○	○
Milk 20°C	○	○	○	○	○	○	○	○	○	○
Nitric acid 5% 20°C	○	—	△	○	○	×	○	×	○	○
Oil (Plant and mineral) 20°C	○	○	○	○	○	○	○	○	○	○
Oleic acid 20°C	○	○	○	○	○	○	—	○	○	○
Oxalic acid 10% 20°C	○	○	△	○	○	—	○	○	○	○
Paraffin 20°C	○	○	○	○	○	○	○	○	○	○
Petroleum 20°C	○	—	○	○	○	○	—	○	○	○
Phosphoric acid 5% 20°C	○	—	△	○	○	×	○	×	○	○
Phosphoric acid 10% 20°C	△	×	△	△	○	×	○	×	△	○
Picric acid Saturated 20°C	○	—	○	○	○	—	—	—	○	○
Potassium chloride Saturated 20°C	○	○	△	○	○	—	—	○	○	○
Potassium dichromate 10% 20°C	○	○	○	○	○	○	—	○	○	○
Potassium hydroxide 20% 20°C	○	×	○	○	○	○	○	○	○	○
Potassium nitrate 25% 20°C	○	○	○	○	○	○	—	○	○	○
Potassium nitrate 25% Boiling point	○	—	×	○	○	—	—	—	○	○
Potassium permanganate Saturated 20°C	○	○	○	○	○	—	○	×	○	○
Seawater 20°C	△	△	×	○	○	△	○	○	△	○
Soapy water 20°C	○	○	○	○	○	○	○	○	○	○
Sodium carbonate Saturated Boiling point	○	○	○	○	○	—	○	△	○	○
Sodium chloride 5% 20°C	○	○	△	○	○	○	○	○	○	○
Sodium cyanide 20°C	○	○	—	○	○	—	—	—	○	○
Sodium hydrogen carbonate 20°C	○	○	○	○	○	○	—	○	○	○
Sodium hydroxide 25% 20°C	○	×	○	○	○	○	○	○	○	○
Sodium hypochlorite 10% 20°C	×	×	×	○	○	×	○	△	×	○
Sodium perchlorate 10% Boiling point	○	—	×	○	○	—	—	—	○	○
Sodium sulfate Saturated 20°C	○	○	○	○	○	—	—	—	○	○
Sodium thiosulfate 25% Boiling point	○	○	○	○	○	—	—	—	○	○
Soft drink 20°C	○	○	○	○	○	○	○	○	○	○
Stearic acid 100% Boiling point	×	×	×	○	○	×	—	○	×	○
Sugar solution 20°C	○	○	○	○	○	○	○	○	○	○
Sulfur dioxide (Wet) 20°C	○	—	×	○	○	—	—	—	○	○
Sulfuric acid 5% 20°C	×	×	×	○	○	×	○	×	×	○
Synthetic detergent	○	○	○	○	○	○	○	○	○	○
Tartaric acid 10% 20°C	○	○	○	○	○	○	○	○	○	○
Turpentine oil 35°C	○	—	○	○	○	—	—	—	○	○
Varnish	○	—	○	○	○	—	—	—	○	○
Vegetable juice 20°C	○	○	○	○	○	○	○	○	○	○
Vinegar 20°C	△	—	×	○	○	△	○	△	△	○
Water	○	○	○	○	○	○	○	○	○	○
Whiskey 20°C	○	○	○	○	○	○	○	○	○	○
Wine 20°C	○	○	○	○	○	○	○	○	○	○
Zinc chloride 50% 20°C	△	△	×	△	○	△	○	×	△	○
Zinc sulfate 25% Saturated 20°C	○	○	○	○	○	—	○	—	○	○

Note: Refer to the AS column under corrosion-resistant drive chain for stainless steel pin gear drive units.

1. How to Cut Roller Chain

The chain needs to be cut to the necessary length.

1.1 Using a chain vise and punch

1. For RP (riveted pin) roller chain, grind down one end of the outer plate's two pins (same side) to the surface of the plate. Be careful of the chain overheating during the grinding process. This process is unnecessary for Poly Steel Chain as there are no rivets. As RS08B-1 to RS16B-1 use easy cutting pins, the rivets do not need to be ground.
2. Remove the cotter pins for CP (cotter pin) roller chain.

Fig. 1 Rivet-type roller chain

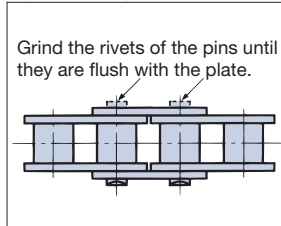
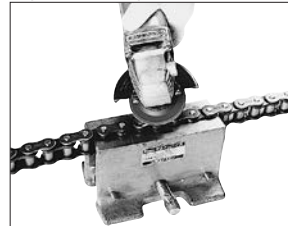
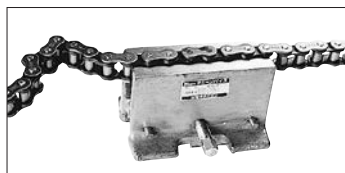


Fig. 2 Grinding the pin ends

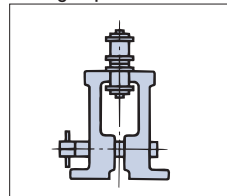


3. Place the roller chain into the groove of the chain vise and tighten the vise to secure the roller to be disassembled. Follow 1.3 and 1.4 for Poly Steel Chain and Lambda chain. For multi-strand Super Roller Chain, place the lowest roller into the groove of the chain vise.

Fig. 3 Setting the roller chain in the chain vise

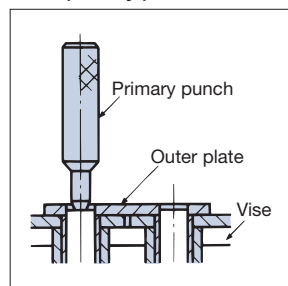


Setting Super Roller Chain



4. Place a primary punch, according to chain size, on the head of the ground pin, and then hit the head of the primary punch with a hammer. Make sure to hit the pins alternatively to ensure the pins are removed evenly and at the same time. Continue to tap the pin until just before the pin is removed from the outer plate.

Fig. 4 Tapping the pin with the primary punch



5. Use a secondary punch to remove the pin completely from the outer link plate.

1.2 Using a chain breaker

1. For RP (riveted pin) roller chain, grind down one end of the outer plate's two pins (same side) to the surface of the link plate. (Same as 1.1) Remove the cotter pins for CP (cotter pin) roller chain.
2. Remove the two pins from the same outer plate.

Fig. 5 How to cut a chain using a chain screw1 Rivet-type roller chain



1.3 How to cut Poly Steel Chain

1. Support the outer plate of the chain in the cradle and push down on the pinhead with the exclusive punch. Then lightly hit the head of the punch using a hammer.
2. Be careful not to damage the inner links by using excessive force.

Fig. 6 Poly Steel Chain set in a cradle

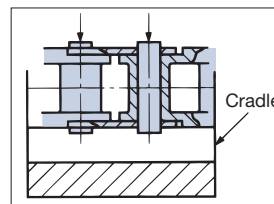
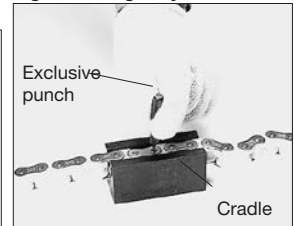


Fig. 7 Cutting Poly Steel Chain



1.4 How to cut Lambda Chain

1. For RP (riveted pin) roller chain, grind down one end of the outer plate's two pins (same side) to the surface of the link plate. (Same as 1.1) Remove the cotter pins for CP (cotter pin) roller chain.
2. Then cut the chain using an exclusive cradle and an RS Roller Chain punch. Important points for cutting are outlined in 1.1. However, use an exclusive cradle instead of a vise.
3. Hit the pins alternatively when removing the pins with a punch.

⚠ Precautions when cutting chain

1. Make sure to use a grinder when grinding the riveted portion of one end of the rivet-type pin. If it is extracted without being ground first, more time and effort will be spent, and will damage the chain.
2. A chain breaker is a tool made for cutting chain, and can cut roller chain that is set on a machine. In this case, it is necessary beforehand to support the load on the roller chain and the weight of the roller chain itself to prevent it from falling after being cut.
3. Check to make sure that the bush where the pin was removed has not come loose or deformed. Do not use if loose or deformed.
4. Do not reuse any removed parts.

2. How to Connect Roller Chain

2.1 When connecting chain on sprocket teeth

When connecting roller chain, it is convenient to use the sprocket teeth. Please carry out the following steps.

1. Wind the chain around one of the sprockets so that both ends of the chain are facing each other on the sprocket.
2. Insert the connecting link in the two end links of the chain.
3. Insert the connecting link plate of the connecting link and fasten the plate using the clips/cotter pins or spring pins provided.
4. When using an F-type (press-fit) connecting link, insert the connecting link plate by tapping it with a hammer until it moves into position. Then fasten it using the clips/cotter pins or spring pins provided.
5. Use protective measures to prevent damage to the teeth when hammering.



Fig. 8 Connecting on a sprocket

2.2 When connecting between shafts

If a sprocket cannot be used due to layout, follow the procedures below.

1. Wind the chain around the sprockets and pull the chain ends together using a chain puller (see Accessories section) or wire.
2. Insert the connecting link in the two end links of the chain.
3. Insert the connecting link plate of the connecting link and fasten the plate using the clips/cotter pins or spring pins provided.



Fig. 9 Connecting between shafts

2.3 Clips and cotter pins

1. Clips

Clips are used for roller chain (under RS60) connecting links. When connecting the chain, the clip should be inserted securely into the slot of the pin on the connecting link after the connecting plate has been inserted on the pin. If the legs of the clips are spread too far they will not catch properly and will fall off during operation of the chain. The clip is generally installed opposite to the direction of travel for the chain as shown in Fig. 10.

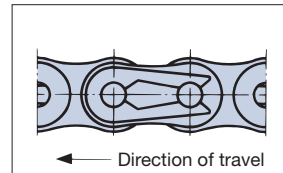


Fig. 10 Direction in which the clip is installed

2. Cotter pins

Tsubaki cotter pins are heat treated, except for on certain corrosion-resistant chains and specialty roller chains. The legs of the cotter pin should be bent approx. 60 degrees. Cotter pins should not be reused, and commercially available cotter pins other than those produced by Tsubaki should be avoided.

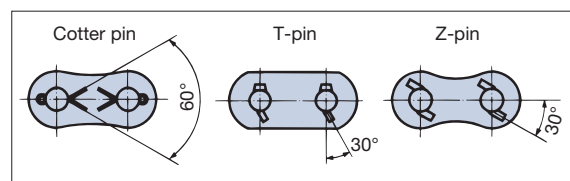


Fig. 11 Attaching clips and pins

RS Roller Chain cotter pin dimensions (Exclusively for roller chain)

Chain size	Nominal cotter pin dimension	Chain size	Nominal cotter pin dimension
RS35	1 × 6	RS100	2.5 × 20
RS40	1 × 6	RS120	3 × 23
RS50	1.6 × 8	RS140-RS160	4 × 24.5
RS60	2 × 10	RS180	5 × 32
RS80	2.5 × 14	RS200	5 × 37

Note: Cotter pins unavailable for RS240.

⚠ Precautions when connecting chain

1. Avoid using offset links wherever possible. Adjust slack by varying the center distance between shafts or using an idler.
2. Avoid adjusting chain length by cutting out links from chains that have stretched as a result of elongation wear.
3. In the case of pins and connecting link plate holes being press-fit type with F-type or other connecting links, widening the connecting link plate hole or narrowing the pin diameter will result in a reduction in roller chain strength. Avoid any additional work.
4. Do not reuse outer plates that have been detached, as the detachment results in a reduction in strength.
5. Normally, only an anti-rust oil is applied to individual parts such as connecting links and offset links. When assembling these into the chain, apply lubricant to the surface of pins and bushing holes.

3. Roller Chain Lubrication

Lubrication is very important in roller chain transmission, and becomes especially important when stringent demands are placed on chain performance.

When lubrication is not complete, even the most advanced transmission device will not realize its full service life. Under some conditions the device may wear out within a very short period of time.

1. The main reason for lubing and greasing roller chain is to minimize wear elongation of the chain and prevent corrosion. Wear elongation is caused by wear between the pin and bush in articulating parts.
2. The oil used for certain roller chain models is a high-grade oil that prevents rust and provides lubrication. The lube prevents the wear that frequently occurs in the initial stage of operation, and it works well with other lubricants to maintain a high wear resistance.
3. Avoid wiping the lube coating off of delivered roller chain, and avoid washing the chain with detergent or other cleaning agents.

3.1 Oil application locations

1. Roller chain wear occurs from wear between each pin and bush, and thus oil is applied to these parts.

2. On the slack part of the chain, apply lubricant to the gap between each outer plate and inner plate. At the same time, apply lubricant between the bushes and rollers.

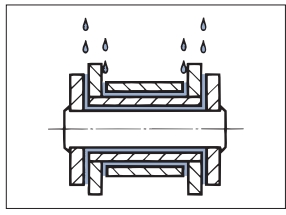


Fig. 12 Lubrication locations

3.2 Chain used for lifting

1. In general the chain has no catenary parts. If possible, remove the load that acts on the roller chain before lubing the chain.
2. For roller chain that does not articulate, lube the chain sufficiently and then apply a thick layer of grease around the roller chain to prevent corrosion. Sufficiently lube end fitting connections.
3. For roller chain that is used outdoors, contact with rain and snow will remove the lubricant and cause harmful corrosion, and thus a cover or other protection should be installed. If rain or snow does fall on the chain, remove the moisture and then promptly lube the chain and coat it with a thick layer of grease.

3.3 Recommended lubricants

1. SAE numbers

Lubricant type Ambient temperature	A I · A II · B				C			
	-10°C to 0°C	0°C to 40°C	40°C to 50°C	50°C to 60°C	-10°C to 0°C	0°C to 40°C	40°C to 50°C	50°C to 60°C
Chain number								
RS50 or lower small pitch chain	SAE10W	SAE20	SAE30	SAE40	SAE10W	SAE20	SAE30	SAE40
RS60/80	SAE20	SAE30	SAE40	SAE50				
RS100								
RS120 or higher large pitch chain	SAE30	SAE40	SAE50					

2. Commercially available lubricants Regarding other brands, use an equivalent. Manufacturer names are shown in no particular order.

SAE ISOVG(cSt40°C)	SAE10W	SAE20	SAE30	SAE40	SAE50
Manufacturer name	32	68	100	150	220
Idemitsu Kosan	Daphne Mechanic Oil 32	Daphne Mechanic Oil 68	Daphne Mechanic Oil 100	Daphne Mechanic Oil 150	Daphne Mechanic Oil 220
EMG Lubricants	DTE Oil Light	DTE Oil Heavy Medium	DTE Oil Heavy	DTE Oil Vacuoline 528	DTE Oil Vacuoline 533
JXTG Nippon Oil and Energy Corp.	Super Mulpus DX32	Super Mulpus DX68	Super Mulpus DX100	Super Mulpus DX150	Super Mulpus DX220
	FBK Oil RO32	FBK Oil RO68	FBK Oil RO100	FBK Oil RO150	FBK Oil RO220

3. Examples of lubrication at low and high temperatures

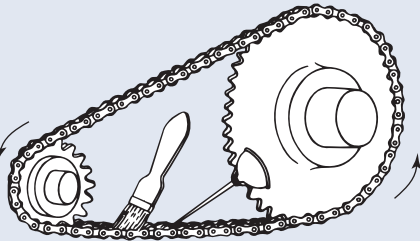
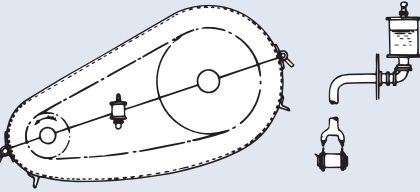
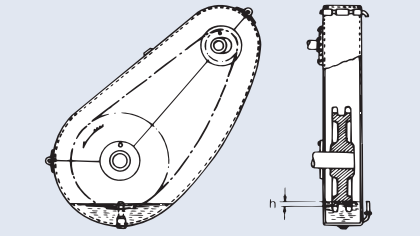
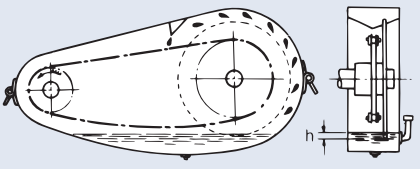
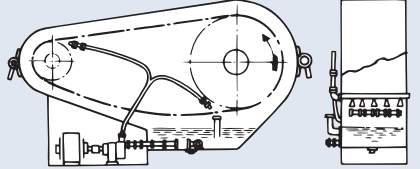
The following lubricants are available when roller chain is used at low or high temperatures. Regarding other brands, use an equivalent.

Ambient and operating temperature	-50°C to -25°C	-25°C to 0°C	-10°C to 60°C	60°C to 200°C	150°C to 250°C
Manufacturer name Lubricant name	Toray Dow Corning SH510 Shin-Etsu Chemical KF50 Momentive Performance Materials Japan TSF 431	Japan Sun Oil Suniso 4GS Showa Shell Sekiyu Shell Refrigerator Oil 68K	See above	EMG Lubricants Mobil Vacuoline 546 MORESCO Moresukohai Lube L-150	MORESCO Moresukohai Lube R-220 Sumico Lubricant Hightemp Oil ES Sato Special Oil Hot Oil No.75

Note: Lubrication methods are drip, manual, and brush.

3.4 Lubrication systems and methods

Stop operation before oiling. To verify sufficient lubrication is taking place, remove the chain and inspect the connecting pins and bushes. If the contact surfaces of the pins or bushes show tearing or a red or dark brown color, lubrication is generally not sufficient.

Lubrication system	Method	Quantity																																	
A	 <p>I</p> <p>Apply oil to the gaps in the pins and inner links on the slack side of the chain. A brush can also be used.</p>	Oil with sufficient frequency (in general about once every 8 hours) so that the roller chain bearings do not dry out.																																	
	<p>II</p> <p>Drip lubrication</p>  <p>Using a simple case, this method drips oil supplied from an oil cup or other oil reservoir.</p>	For one strand of chain, drip about 5 to 20 drops of oil each minute. Drip more oil on higher speed chains.																																	
	<p>B</p> <p>Oil bath</p>  <p>The chain is run through oil in a leakfree casing.</p>	If depth h from the surface of the oil to the lowest point the chain reaches is too deep, the oil may heat up (80°C or higher) and deteriorate. The depth (h) to which the chain descends in the oil should be about 6 to 12 mm.																																	
B	<p>Lubrication using a slinger disc</p>  <p>Use a slinger disc attached to a leak-free case to splash oil on the chain. The peripheral velocity of the disc should be 200 m/min or higher. If the width of the chain is greater than 125 mm, attach discs to both sides.</p>	The lowest point h reached by the slinger disc should be about 12 to 25 mm below the surface of the oil. The roller chain should not enter the oil.																																	
	<p>C</p> <p>Forced lubrication</p>  <p>The oil is circulated in a leak-free case and cooled by a pump. When there are n strands of chain, $n+1$ oiling holes are required, targeting the gaps between each part.</p>	<p>Approximate oiling quantity per oiling hole (L/min)</p> <table border="1"> <thead> <tr> <th rowspan="2">Name</th> <th rowspan="2">Size Chain speed (m/min)</th> <th colspan="4">Size</th> </tr> <tr> <th>#60 or smaller</th> <th>#80 #100</th> <th>#120 #140</th> <th>#160 or larger</th> </tr> </thead> <tbody> <tr> <td>RS</td> <td>500 to 800</td> <td rowspan="2">1.0</td> <td rowspan="2">1.5</td> <td rowspan="2">2.5</td> <td rowspan="2">4.0</td> </tr> <tr> <td>SUP</td> <td>300 or less</td> </tr> <tr> <td>RS</td> <td>800 to 1,100</td> <td rowspan="2">2.0</td> <td rowspan="2">2.5</td> <td rowspan="2">3.5</td> <td rowspan="2">5.0</td> </tr> <tr> <td>SUP</td> <td>300 to 500</td> </tr> <tr> <td>RS</td> <td>1,100 to 1,400</td> <td rowspan="2">3.0</td> <td rowspan="2">3.5</td> <td rowspan="2">4.5</td> <td rowspan="2">6.0</td> </tr> <tr> <td>SUP</td> <td>500 or more</td> </tr> </tbody> </table>	Name	Size Chain speed (m/min)	Size				#60 or smaller	#80 #100	#120 #140	#160 or larger	RS	500 to 800	1.0	1.5	2.5	4.0	SUP	300 or less	RS	800 to 1,100	2.0	2.5	3.5	5.0	SUP	300 to 500	RS	1,100 to 1,400	3.0	3.5	4.5	6.0	SUP
Name	Size Chain speed (m/min)	Size																																	
		#60 or smaller	#80 #100	#120 #140	#160 or larger																														
RS	500 to 800	1.0	1.5	2.5	4.0																														
SUP	300 or less																																		
RS	800 to 1,100	2.0	2.5	3.5	5.0																														
SUP	300 to 500																																		
RS	1,100 to 1,400	3.0	3.5	4.5	6.0																														
SUP	500 or more																																		

4. Layout and Installation of Roller Chain

4.1 Speed ratio and chain wrap

A roller chain transmission speed ratio up to 7:1 is normally suitable; however, at very slow speeds a ratio up to about 10:1 is possible. The chain wrap between the small sprocket and chain must be 120° or more. For lifting applications, the angle must be 90° or more.

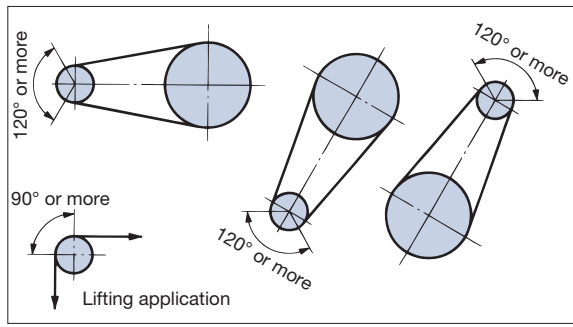


Fig. 13 Chain wrap

4.2 Distance between shafts

The minimum distance can be as short as desired as long as the teeth of the two sprockets are not in contact. The optimum center-to-center distance between the shafts is 30 to 50 times the pitch of the roller chain. However, if the load is variable, a distance of 20 times or less is suitable.

4.3 Amount of slack

1. Unlike V or flat-belt transmission, there is no need to apply an initial tension in roller chain transmission; roller chain is normally used with a suitable amount of slack. If too much tension is applied to roller chain, the oil film between the pins and bushes will break, causing increased wear and damage on the roller chain and bearings. If there is too much slack in the roller chain, the chain will vibrate and ride up the sprocket, damaging both chain and sprocket.

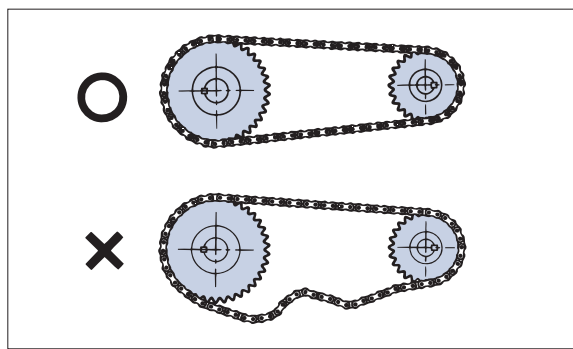


Fig. 14 Slack example

2. If possible, the lower side should be the slack side in roller chain transmission. The amount of slack is appropriate when the distance SS' that the chain can be moved perpendicularly by hand at the center of the slack side is 4% of the span AB. (For example, when the span is 800 mm, the amount of slack should be 800 mm x 0.04 = 32 mm.)

In the following situations, this should be 2%:

- ◆ When the transmission is vertical or close to vertical.
- ◆ When the distance between the shafts is more than 1 m.
- ◆ When frequent starts are made with a heavy load.
- ◆ When sudden reverse motion takes place.

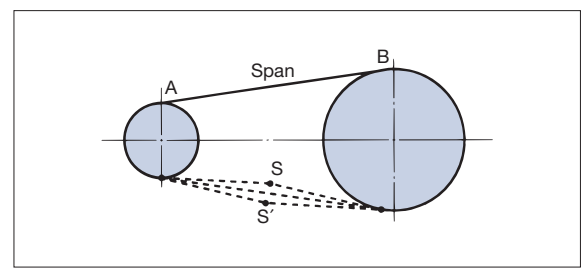


Fig. 15 Amount of slack

3. Roller chain will stretch slightly during the first few dozen hours of use as the contact surfaces wear in about 0.05%. This may require adjustment of the slack.

A tensioner can be used if the layout is designed for it. If you do not have a tensioner, move the shafts to adjust the amount of slack. Once the chain is worn in, very little stretching will occur.

4.4 Horizon precision and parallelism of the shafts

The installation precision of the sprocket has an effect on the smoothness of roller chain transmission. It also affects roller chain life.

Install the sprockets correctly as described below.

1. Verify horizontal precision with a level. Adjust the precision to within $\pm 1/300$.

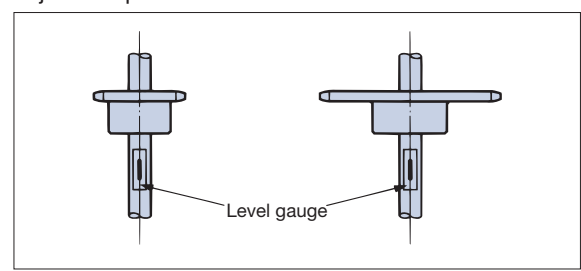


Fig. 16 Horizontal precision

2. Use a scale to correct the degree of parallelism of the shafts. Adjust the shafts so that they are parallel to within $\pm 1/300 = (A-B/L)$.

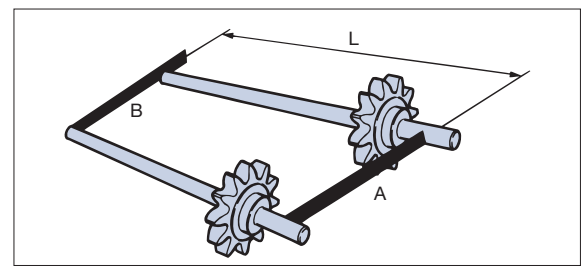


Fig. 17 Degree of parallelism of the shafts

3. Using a straightedge or Easy-Laser, adjust the two sprockets so that they are parallel. Adjust to within the following values based on the distance between the shafts.

- Up to 1 m : $\pm 1\text{mm}$
- 1 m to 10m : $\pm \frac{\text{Distance between shafts (mm)}}{1,000}$
- 10m or more : $\pm 10\text{mm}$

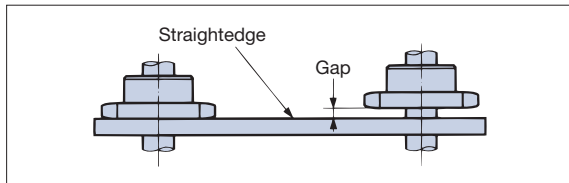


Fig. 18 Sprocket alignment

4. Secure each sprocket to the shaft with a power lock, lock sprocket, or key.
If needed use a collar, set bolt, or other adjustment component.

4.5 Layout

1. General layout

Ideally, the line connecting the sprocket centers in the roller chain transmission equipment should be close to level. In a layout that is close to vertical, the roller chain may stretch and fall off the sprocket. Thus, an idler or tensioner should be used. If possible keep the angle of inclination within 60° .

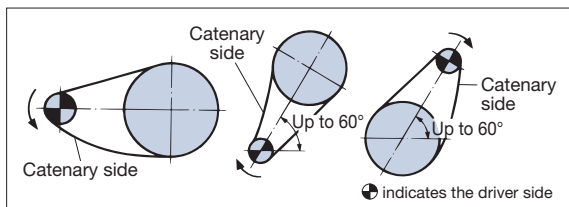


Fig. 19 General layout

2. Layouts requiring caution

◆ When the slack is on the upper side
When the center-to-center distance between the shafts is short, move the shafts to adjust the distance and slightly increase the tension.

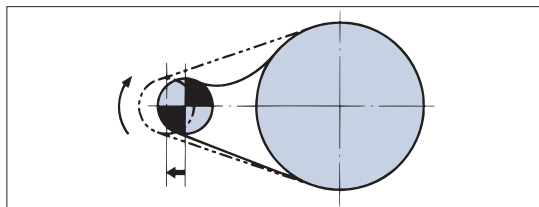


Fig. 20 Layout when the center-to-center distance is short

When the center-to-center distance is long, insert an intermediate idler under the slack part to support the roller chain.

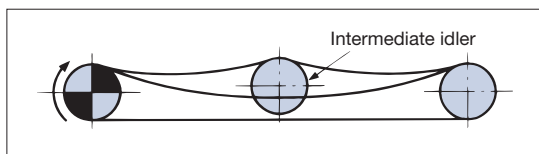


Fig. 21 Layout when the center-to-center distance is long

◆ When the chain speed is fast and the load varies
Roller chain may vibrate if the natural vibration frequency of the chain, shock frequency of the driven machine, or chordal action of the chain (vertical pulsation of the chain due to the polygon effect) synchronize. In this event, use a guide shoe (made of NBR or ultra-high polymer polyethylene) or other device to stop the vibration.

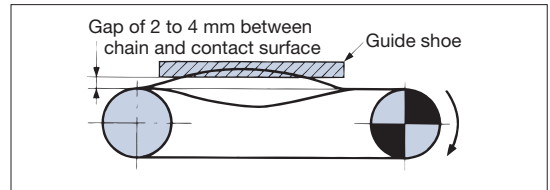


Fig. 22 Guide shoe to prevent vibration

◆ When the centerline is vertical
Install a tensioner that can automatically eliminate excess slack to ensure the sprockets engage. This is particularly necessary when the drive shaft is on the bottom.

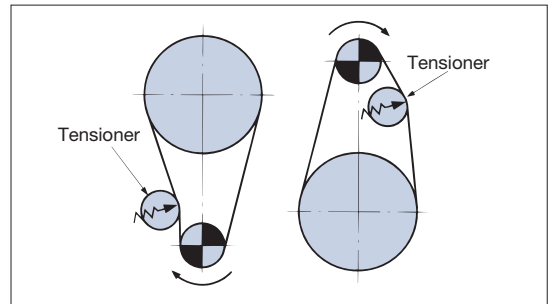


Fig. 23 Layout for vertical transmission

4.6 Curved chain installation

1. Installing the guide

Compared to RS roller chain, a curved chain has a greater degree of freedom. For this type of chain, install a guide on the chain so that it engages straight onto the sprocket.

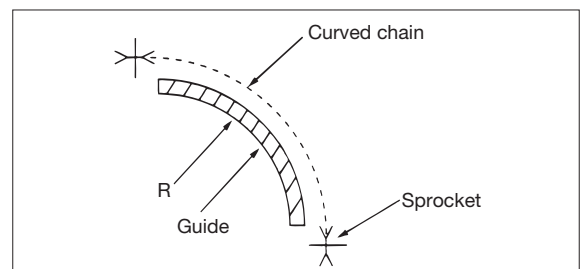


Fig. 24 Guide

2. Minimum lateral bending radius (r)

Install the guide so that its minimum lateral bending radius is equal to or greater than the specifications shown below.

Product number	Minimum lateral bending radius (r)	Product number	Minimum lateral bending radius (r)
RS40-CU-1	350	RS40-CUSS-1	400
RS50-CU-1	400	RS50-CUSS-1	500
RS60-CU-1	500	RS60-CUSS-1	600
RS80-CU-1	600	RS80-CUSS-1	800
RS40-LMCCU-1	400		
RS50-LMCCU-1	500		
RS60-LMCCU-1	600		

5. Sprockets

5.1 Hardening the teeth

When a sprocket is used under the following conditions, the sprocket teeth must be hardened.

1. When there is a small number of teeth (24 or less), and the speed is 1/8 or higher of the maximum rotation speed indicated on the kilowatt ratings tables.
2. When using small sprockets with a speed ratio of greater than 4:1.
3. When a large load is used at low speed.
4. When using under conditions that will cause the teeth to wear.

5.2 Number of teeth

As many teeth as possible should be used on the sprocket on the high-speed shaft side to help ensure smooth drive transmission. Generally, 15 or more teeth should be used. However, when the speed ratio is high and the number of teeth on the low-speed sprocket exceeds 120, chain engagement problems can occur when there is even slight chain wear. In this case, decrease the number of teeth on the highspeed sprocket, but the number of teeth should still be kept to 13 or higher. However, if the sprocket will be used at extremely low speed and not subjected to shock, a sprocket with 12 or fewer teeth can be used.

5.3 Precautions related to additional processing

1. Shaft bore processing

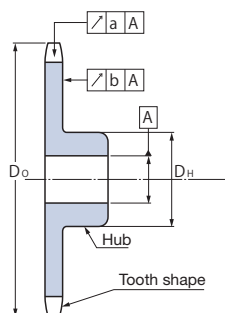
◆ Maximum shaft bore processing dimensions

The maximum finished shaft bore size should be at or below the size shown in the specifications for each model number. Please contact a Tsubaki representative if using standards other than the JIS standards key.

◆ Finishing standards

When finishing, verify the standards for the tooth outer diameter D_o and the hub outer diameter D_H .

Also, verify that the deflection on the tooth root a and the deflection on the end surface of the tooth b are at or below the values shown below.



When using machine specifications

Dia. of tooth root cylinder (df)	90 or less	> 90 but ≤ 190	> 190 but ≤ 850	> 850 but ≤ 1180	Greater than 1180
Deflection at tooth root a	0.15	0.0008df+0.08			0.76
Face runout b	0.25		0.0009df+0.08		1.14

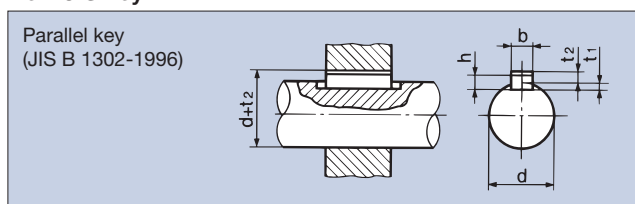
2. Sprocket welding

When welding a hub to Type A sprockets for use, the welding can cause deformation or deflection of the tooth and surface, making it impossible to maintain product quality. As such, welding should be avoided. With Type A Strong Series sprockets, welding can also decrease the hardness of the sprockets, so again, welding should be avoided.

3. Processing on the hub outer diameter

Do not perform any additional processing to the outer diameter of the hub. If processing needs to be performed, please first contact a Tsubaki representative.

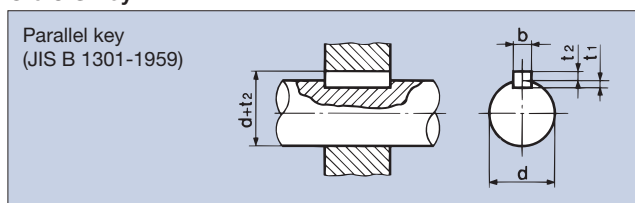
New JIS key



Shaft bore diameter d	Designated key diameter Shaft×Height b×h	Keyway depth		
		Shaft t ₁	Boss d+t ₂	
6 or higher	8 or lower	2×2	1.2	d+ 1.0
8	10	3×3	1.8	d+ 1.4
10	12	4×4	2.5	d+ 1.8
12	17	5×5	3.0	d+ 2.3
17	22	6×6	3.5	d+ 2.8
20	25	(7×7)	4.0	d+ 2.3
22	30	8×7	4.0	d+ 3.3
30	38	10×8	5.0	d+ 3.3
38	44	12×8	5.0	d+ 3.3
44	50	14×9	5.5	d+ 3.8
50	55	(15×10)	5.0	d+ 5.3
50	58	16×10	6.0	d+ 4.3
58	65	18×11	7.0	d+ 4.4
65	75	20×12	7.5	d+ 4.9
75	85	22×14	9.0	d+ 5.4
80	90	(24×16)	8.0	d+ 8.4
85	95	25×14	9.0	d+ 5.4
95	110	28×16	10.0	d+ 6.4
110	130	32×18	11.0	d+ 7.4
125	140	(35×22)	11.0	d+ 11.4
130	150	36×20	12.0	d+ 8.4
140	160	(38×24)	12.0	d+ 12.4
150	170	40×22	13.0	d+ 9.4
160	180	(42×26)	13.0	d+ 13.4
170	200	45×25	15.0	d+ 10.4
200	230	50×28	17.0	d+ 11.4
230	260	56×32	20.0	d+ 12.4
260	290	63×32	20.0	d+ 12.4
290	330	70×36	22.0	d+ 14.4
330	380	80×40	25.0	d+ 15.4
380	440	90×45	28.0	d+ 17.4
440	500	100×50	31.0	d+ 19.5

Note: The nominal dimensions shown in parentheses are not defined in international standards.

Old JIS key



Shaft bore diameter d	Designated key diameter Shaft×Height b×h	Keyway depth		
		Shaft t ₁	Boss d+t ₂	
10 or higher	13 or lower	4×4	2.5	d+ 1.5
13	20	5×5	3.0	d+ 2.0
20	30	7×7	4.0	d+ 3.0
30	40	10×8	4.5	d+ 3.5
40	50	12×8	4.5	d+ 3.5
50	60	15×10	5	d+ 5
60	70	18×12	6	d+ 6
70	80	20×13	7	d+ 6
80	95	24×16	8	d+ 8
95	110	28×18	9	d+ 9
110	125	32×20	10	d+ 10
125	140	35×22	11	d+ 11
140	160	38×24	12	d+ 12
160	180	42×26	13	d+ 13
180	200	45×28	14	d+ 14
200	224	50×31.5	16	d+ 15.5
224	250	56×35.5	18	d+ 17.5

5.4 Sprocket surface treatment

When a surface treatment will be applied to standard sprockets such as plating, blackening, or other surface treatments, strictly adhere to the following:

- ◆ Anti-rust oil and/or anti-rust paint have been applied to the sprocket, and must be completely removed.
- ◆ If a hardened tooth sprocket will be subjected to a treatment that may cause hydrogen embrittlement, for example, electrolytic plating, sufficient measures must be taken to prevent this from occurring.

6. Chain Test Run

After installing the chain, carry out a test run and check the following items before you actually start running the chain.

6.1 Pre-test run

1. Connecting link plates, clips, and cotter pins are installed correctly.
2. Chain slack has been properly adjusted.
3. Adequate lubrication is available.
4. The chain is not touching the chain case or other objects.
5. The roller chain path is clean and free from obstructions.

6.2 Test run

1. There should be no strange noises. Make sure the chain does not touch the chain case or other objects.
2. Look for excessive chain vibration.
3. Make sure the chain does not run up on the sprockets.
4. Ensure that the chain is not jammed into the sprockets.
5. The chain should bend smoothly.

Check the inspection checklist if there are any problems, and ensure roller chain and sprocket are correctly installed.

7. Roller Chain Inspection

1. In general, roller chain life is said to be reached when parts are damaged or when 1.5% wear elongation occurs. Try to replace the chain before these conditions occur.
2. Wear will progress between the pins and bushes after long periods of use.

7.1 Inspection checklist

Procedures	Method	Inspection items	Reference page for details
Step I	Visually check the chain during operation and look for any abnormalities.	<ol style="list-style-type: none"> 1. There should be no strange noises. 2. Look for excessive chain vibration. 3. Make sure the chain does not run up on the sprockets. 4. The chain is not jammed into the sprockets. 5. The chain should bend smoothly. 6. Adequate lubrication is available (lubricating system and quantity of oil). 7. Make sure the chain does not touch other objects. 	Inspection points are on the following pages and on the troubleshooting pages.
Step II	Stop the chain and carefully inspect each part of the chain and sprocket.	<ol style="list-style-type: none"> 1. Check the external cleanliness, corrosion, and lubrication conditions; also, look for dirt, scratches, corrosion, or other damage to the plate side and edge surfaces, pin edges, and roller surfaces. 2. Inspect for pin rotation and inspect the clearance between plates and pins. 3. Inspect the sprocket teeth surfaces and teeth side surfaces for scratches or marks. 4. Measure the wear elongation of the chain. 5. Check the articulation of the chain and rotation of the rollers. 6. When using an end fitting for lifting applications, inspect the wear of the end bolts and the wear of the connecting plate pins. Also, check for proper installation at the same time. 	
Step III	In order to investigate in more detail, remove the roller chain and inspect it visually or check it with measuring instruments.	<ol style="list-style-type: none"> 1. The inspection items are identical to those in Step II except in more detail. 	

7.2 Inspection intervals

Regular inspection of roller chain is recommend at one month intervals. Inspection should be carried out at shorter intervals in:

1. Special or corrosive environments.
2. High speeds with sudden stoppage.
3. Lifting or indexing operations.

7.3 Inspection requirements for ordinary transmission

1. Inspection lubrication conditions

- 1-1. During operation, check to see if there is lubrication in the clearance between the outer plate and inner plate. Also, check if the chain or rotating disc is immersed in lubricating oil.
- 1-2 The chain surface will generally appear dirty from wear dust if lubrication is unsatisfactory. This is especially the case between the link plates.
- 1-3. When the chain is removed, connecting link pins and the edge of the inside of the bushes should be checked. If there are any scratches, or red or reddish-brown coloration, lubrication is improper or insufficient.

2. Inspecting link plates

- 2-1. If repeat loads over the maximum allowable load are put on the chain, there is a strong possibility of fatigue breakage of the link plates. It is difficult to notice initial cracking from fatigue breakage simply from external observation.
- 2-2. Usually, a crack develops at the edge of a hole or at the side of the link plate, as shown in Fig. 25. The presence of cracks should be checked carefully. Fatigue breakage progresses little by little, so it can be noticed with close attention.

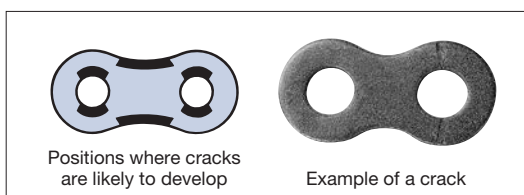


Fig. 25 Cracks on the link plates

- 2-2. When wear occurs from sliding between the edges of the plates and the guides, it is necessary to adjust the position of either the chain or the guides. The allowable wear on the link plates is limited to 5% of their height. (Fig. 26)

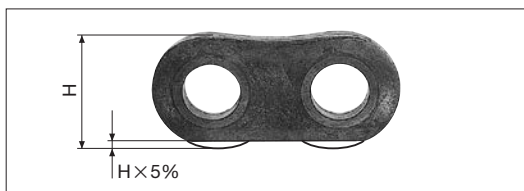


Fig. 26 Wear on the edges of the link plates

3. Inspecting pins

When the pins rotate (Fig. 27), the roller chain must be completely replaced with new chain. This also applies to the connecting pins. By removing the connecting parts it is possible to see the conditions of wear and rust on the surfaces of the pins.

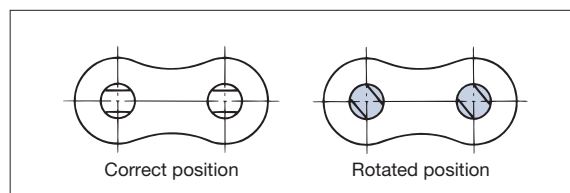


Fig. 27 Rotation of the pins

4. Inspecting rollers

- 4-1. As with the link plates, if rollers are also subjected to loads over the maximum allowable load, the repeated impact load between the chain and the sprockets may cause fatigue breakage to occur. (Fig. 28) The roller should be checked in the same way as the link plate.

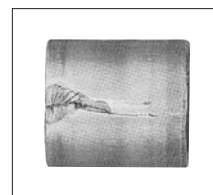


Fig. 28 Cracks on the rollers

- 4-2. If foreign objects interfere with the engagement of the roller and sprocket, the roller may be damaged and a crack may develop. Careful attention should be paid to the above. Furthermore, with high-speed operations, even if foreign objects do not interfere with engagement, cracks may appear from the impact with the sprocket teeth.
- 4-3. Chains damaged by fatigue breakage from the rollers must be completely replaced, as each part has received the same amount of repeated load.
- 4-4. Also check for poor roller rotation.

5. Inspecting sprockets

- 5-1. Chain and sprocket engagement can be checked by observing the roller and teeth surface. Proper engagement is when the contact area is uniform with point A in Fig. 29. If the contact area is lopsided or the sides of the teeth are wearing away (point B), this may have been caused from improper installation of the sprockets or twisting of the roller chain. In this case, rechecking/readjustment is necessary.
- 5-2. The normal point of impact is slightly up from the tooth root. As shown in Fig. 29, point A receives the strongest impact. However, when initial tension is applied to the chain and tension remains on the slack side, the roller will slightly touch the tooth root.

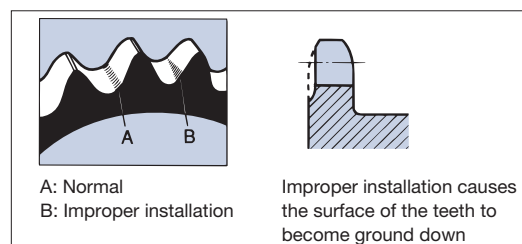


Fig. 29 Contact area of the sprocket teeth

5-3. When idlers or tensioners are used, the contact area will be the center of the tooth root.

5-4. When wear on the teeth reaches the values in the following table, the lifespan of the sprocket has been reached.

For a sprocket with induction hardened teeth, the lifespan is reached when the hardened layer has been removed.

Limit of usage based on tooth thickness/Dimension B

Size of RS roller chain	Dimension B		Size of BS roller chain (BS/DIN)	Dimension B Normal
	Normal	Pin-gear		
RS11-SS	0.6	–	RF06B	1.6
RS15	1.1	–	RS08B	2.1
RS25	1.5	–	RS10B	2.9
RS35	2.5	–	RS12B	3.6
RS41	2.6	–	RS16B	5.0
RS40	2.5	3.1	RS20B	6.8
RS50	2.9	3.6	RS24B	7.2
RS60	3.7	4.6	RS28B	8.6
RS80	5.0	6.3	RS32B	11.9
RS100	6.9	8.6	RS40B	12.7
RS120	8.7	10.9		
RS140	10.6	13.3		
RS160	12.4	15.5		
RS180	11.3	14.1		
RS200	12.6	15.8		
RS240	15.1	18.9		
RF320-T	19.9	24.9		
RF400-T	24.9	31.2		

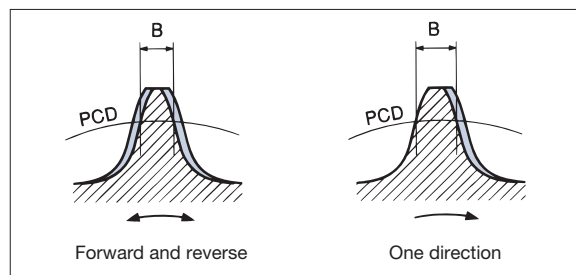


Fig. 30 Dimension B

5-5. If a new roller chain is run on a worn sprocket, the chain will wear at a faster rate than normal. In this case, when replacing the chain, replacement of the sprocket is also recommended.

6. Inspection of chain elongation

6-1. Chain elongation is caused not by deformation of the link plate, but by wear on the pin and bush. Therefore, the remaining chain life can be estimated by periodically measuring the chain elongation.

6-2. Measuring chain elongation

- (1) The chain should be measured whilst stretching it slightly to eliminate any slack.
- (2) Measure the distance of the inside (L_1) and outside (L_2) of the rollers at both ends of the measured links to get measurement (L).

$$L = \frac{L_1 + L_2}{2}$$

- (3) When measuring, use at least 6 to 10 links to help keep any measuring error down to a minimum.

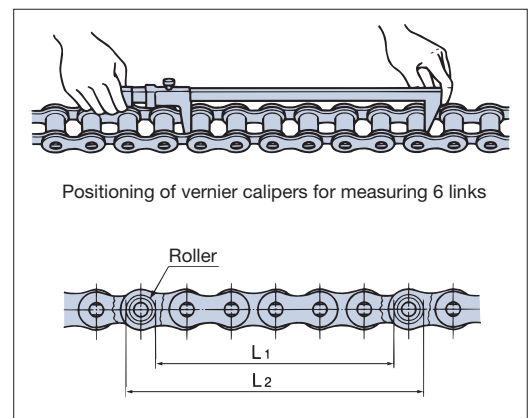


Fig. 31 Measuring length

- (4) Finding chain elongation

$$\text{Chain elongation (\%)} = \frac{\text{Measured length} - \text{Standard length}}{\text{Standard length}} \times 100$$

$$\text{Standard length} = \text{Chain pitch} \times \text{Number of links}$$

- (5) For multi-strand roller chain, the measurement is carried out in the same way as for single strand roller chain of the same pitch.
- (6) The limit of usage based on roller chain elongation for a smooth transmission is as follows.

Limit of usage based on elongation

Large sprocket number of teeth	Chain elongation
Up to 60 teeth	1.5%
61 to 80 teeth	1.2%
81 to 100 teeth	1.0%
101 to 110 teeth	0.8%

- (7) Dimensions for evaluating standard length (chain pitch \times number of links) and 1.5% elongation are shown in the table below.
- (8) When the length of the roller chain cannot be measured with calipers, a tape measure may be used; however, measurements need to be taken over as many links as possible to reduce measuring error.
- (9) When chain elongation of Lambda/X-Lambda Roller Chain reaches about 0.5% it may be losing its lubricating properties. This may be determined by the adhesion of red wear particles between the plates and the occurrence of articulation stiffness. When this occurs, the life of the chain has been reached.

Standard length and 1.5% elongation

	6 links measured		10 links measured	
	Standard length	1.5% elongation	Standard length	1.5% elongation
RS25	38.10	38.67	63.50	64.45
RS35	57.15	58.01	95.25	96.68
RS41	76.20	77.34	127.00	128.91
RS40	76.20	77.34	127.00	128.91
RS50	95.25	96.68	158.75	161.13
RS60	114.30	116.01	190.50	193.36
RS80	152.40	154.69	254.00	257.81
RS100	190.50	193.36	317.50	322.26
RS120	228.60	232.03	381.00	386.72
RS140	266.70	270.70	444.50	451.17
RS160	304.80	309.37	508.00	515.62
RS180	342.90	348.04	571.50	580.07
RS200	381.00	386.72	635.00	644.53
RS240	457.20	464.06	762.00	773.43

7.4 Inspection of lifting and shuttle traction

1. This should be carried out with the same requirements as for ordinary transmission shown in item 7.3.
2. It is important to check the lubrication of the connecting parts between the roller chain and end brackets where end brackets are installed, as well as the parts where the roller chain winds around the sprocket.
3. The parts where the roller chain bends around the sprocket should be checked when inspecting the wear elongation of the roller chain.

4. Inspect for twisting and side bending of the roller chain. If partial twisting or side bending of the chain occurs, the complete roller chain should be replaced. (Fig. 32)

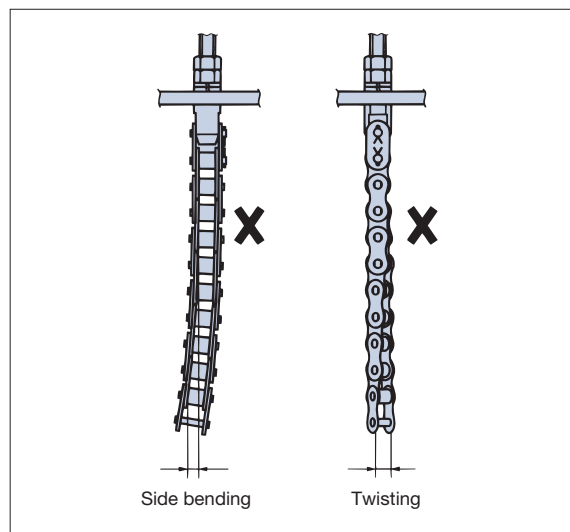


Fig. 32 Twisting of the roller chain

5. End fittings

Check for wear, deformation, or other damage to the connecting-part holes. If the hole is damaged or deformed, replace the end bracket immediately. The clearance on the pinhole of the bracket affects the life of the roller chain and should be kept to a minimum.

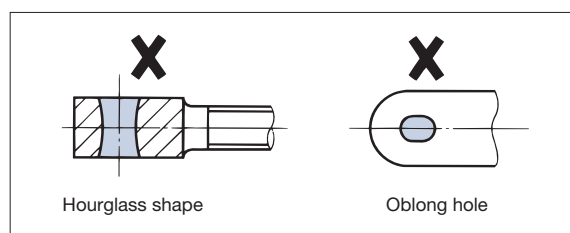


Fig. 33 Wear on the end fitting hole

7.5 Storage

Avoid storing spare parts, such as roller chains, sprockets, and end brackets, in high temperature/high humidity and dusty environments. Also, when storing roller chain that has been removed, wash the roller chain and then apply lubrication. After the roller chain clearances have been supplied with a sufficient amount of lubricant, wrap the chain in grease paper completely before storing away.

8. Cautions on Use in Special Environments

As a general rule, roller chain should be used in a clean air flow; however, when used in special atmospheres, refer to the various items that follow.

8.1 Use in wet conditions

If the chain is used in a sterilizing machine or water screen, for example, where the chain is splashed with water or goes through heated vapor, the following problems may occur.

1. An increase in wear elongation due to improper or insufficient lubrication.
2. Decrease in fatigue strength from rust and corrosion (pitting) of the chain.

Countermeasures

- ◆ Reduce bearing pressure by using a larger sized chain to improve wear resistance.
- ◆ Use corrosion resistant roller chain for rust prevention.

8.2 Use in acidic or alkaline conditions

If roller chain is exposed to acidic or alkaline conditions, such as battery acid and liquid used in plating processes, the following problems may occur.

1. Embrittlement fracture of link plates and pins.
2. Fatigue breakage of link plates and pins due to rust and pitting corrosion.
3. Wear from usual mechanical wear and corrosion.
4. Reduction in volume of the whole chain from corrosion.
5. In special cases where the chain is underwater (immersed in liquid), electrochemical corrosion may occur.
6. There are also circumstances where even stainless steel roller chain will corrode. Fig. 34 shows an example of chain that was used in a plating apparatus. The chain fell to pieces within one month due to the effects of the acid.



Fig. 34 Corrosion of stainless steel roller chain

Countermeasures for embrittlement fractures (stress corrosion cracking)

- ◆ Adopt a brittleness countermeasure that lowers crack susceptibility.
- ◆ Install a cover or casing to prevent acids or alkalis from contacting the chain.
- ◆ Adopt a high-grade material with anti-corrosive properties.

Countermeasures for corrosion

- ◆ Use surface-treated chain.
- ◆ Install a cover or casing to prevent acids or alkalis from contacting the chain.
- ◆ Adopt a high-grade material with anti-corrosive properties.

In general, embrittlement fractures (stress corrosion cracking) occur around link plate holes. This is the area where the pin and bush are press-fitted to the link plate, and with the highest concentration of stress. Cracks are generated even when there is no tension on the chain. Roller chain in general is more susceptible to acids than alkalis, and in special cases, embrittlement fractures (stress corrosion cracking) are generated by seawater or pit water.



Fig. 35 Hydrogen embrittlement cracking

8.3 Use under conditions where wear is a problem

If the chain is exposed to highly abrasive materials that promote wear such as sand, coke, and metal particles, the following problems may occur.

1. When abrasive materials penetrate between the pins and bushes, chain wear is promoted and poor articulation occurs.
2. When abrasive materials penetrate between the bushes and rollers, chain wear is promoted and poor roller rotation occurs.
3. When the abrasive materials penetrate between the link plates, poor articulation occurs.

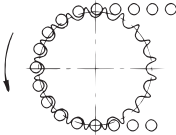
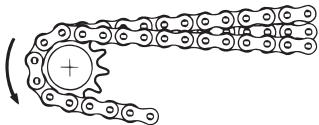
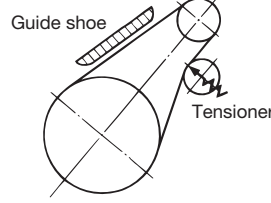
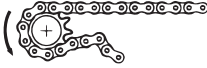
Countermeasures


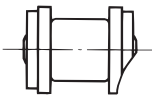


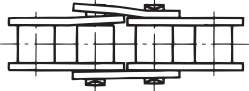
- ◆ Install a protective casing against dust.
- ◆ Remove foreign particles by regularly washing the roller chain.
- ◆ Reduce bearing pressure by using a larger sized chain to improve wear resistance.
- ◆ Increase wear resistance by applying special processing to the parts of the chain where wear is a problem.

9. Troubleshooting

When there is significant damage and breakage to the roller chain and sprockets, please carry out the following remedies and replace with new chain and sprockets as necessary.

9.1 General

Symptom	Possible causes	Remedy
Chain is riding up on the sprocket 	The roller chain and sprocket do not match.	Replace the chain or sprocket with the correct size.
	Excessive load.	Decrease the load, or increase the number of strands or size of the chain.
	Elongation of the chain due to wear or excessively worn sprocket teeth.	Replace with new chain and sprockets.
Unusual noises	Improper installation of the sprocket or shaft.	Inspect and correct.
	Chain casing or bearings are loose.	Tighten all bolts and nuts.
	Excessive or insufficient slack in the chain.	Adjust the distance between shafts to obtain the proper amount of slack.
	Excessively worn chain or sprocket.	Replace the chain and sprocket with new chain and sprocket.
Excessive vibrations in chain 	Chain is resonating with periodic external force. 	Change the chain's mode of vibration. <ol style="list-style-type: none"> 1. Preventing resonance <ol style="list-style-type: none"> a. Change the natural frequency of the chain. <ul style="list-style-type: none"> • Alter the effective tension either by applying an initial tension or adjusting the existing one. • Install a tensioner to change the chain span. • Replace the chain. Choose a different mass and spring coefficient. b. Change the vibration frequency. <ul style="list-style-type: none"> • Change the speed of rotation of the sprocket. • Re-evaluate the device set-up. 2. Mechanically reducing the vibrations <ul style="list-style-type: none"> • Install a guide shoe. • Install a self-adjusting tensioner on the slack side.
	Load fluctuations are excessively large.	Reduce fluctuations with a fluid coupling or similar technique.
The chain winds onto the sprocket (Poor separation from the sprocket teeth) 	Span between shafts is too large.	Install an idler.
	Excessive slack in chain.	Adjust the chain length or distance between shafts. Install a tensioner.
	Elongation of the chain due to chain wear or excessively worn sprocket teeth.	Replace with new chain and sprocket.

Symptom	Possible causes	Remedy
Rusting of the chain	Improper lubrication or poor environment.	Replace chain and protect it from the environment with chain casing or proper lubrication.
Excessive wear on the inside surface of the link plates and sides of the sprocket teeth	Improper installation. 	Correct sprocket and shaft installation.
Excessive wear on the link plate side surfaces and pin heads	Improper installation of guides, etc. 	Check the condition of the guides, and increase the gap between the guides and the chain.
Poor articulation of the chain 	Chain is not installed correctly.	Inspect the installation and correct as necessary.
	Contamination from wear debris or dirt because of improper lubrication.	Remove the chain, clean it thoroughly, and provide proper lubrication.
	Excessive load, pin bending, or bush cracking.	Reduce the load or increase the number of or size of chains.
	Corrosion or rusting.	Install a chain casing to protect the chain.
	Seizing from improper lubrication.	Provide proper lubrication according to the operating conditions.
	Seizing of pin and bush.  Pins and bushes may seize due to high speed operation, causing poor articulation and leading to chain breakage.	Provide the proper operating conditions.
Spreading of link plates	Uneven or excessive loading caused by improper installation. 	Replace with new chain and correct installation.

9.2 Link plate related

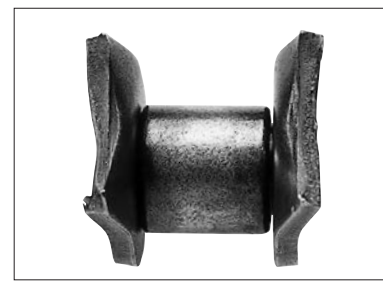
Symptom	Possible causes	Remedy
Breakage of link plate	Excessively large shock load.	Reduce shock loads by making the start-up, stopping, and other actions smoother (installing a shock absorber, etc.). Increase the size or number of chains.
	Vibration in the chain.	Install an anti-vibration device (for example, a tensioner or idler). Refer to the section on excessive chain vibration.
	Large inertia in the driven machine (excessive load).	Reselect the chain. (Increase the chain size or number of chain strands.)
	Corrosion.	Replace with a new chain. Install a casing to protect the chain. Periodically clean the chain.





① **Static fracture**
Applying load to a link plate beyond its breaking load will cause it to stretch and then break.



② **Fatigue fracture**
By repeatedly applying a load past its fatigue limit (fatigue strength), the fatigue will start at holes and then cause sudden chain breakage.



③ **Offset link plate fatigue breakage**
Offset link plates are bent at the center, and the resulting concentration of stress at the bend can cause a fatigue break. Avoid using offset links in high-stress applications.

Crackes in the link plates, which are perpendicular to the direction of pull (fatigue fracture)	Load is are greater than the allowable load.	Remove all large or excessive repeat loads. Otherwise, increase the chain size or number of chain strands. Replace with a new chain.
Deformation of link plate holes 	Excessive load.	Remove the cause of the excessive load. Replace with a new chain.
Corrosion stress cracks appear, usually as bow-shaped cracks in the link plate 	The chain is being used in an acidic or alkaline enviroment. (This is not caused by a repetitive load.)	Replace with a new chain. Install a casing to protect the chain from the environment. Consider a chain with a high resistance to corrosion stress cracks. Please contact a Tsubaki representative.

9.3 Pin related

Symptom	Possible causes	Remedy
Breakage of pin	Large shock loads.	Reduce shock loads by making the start-up, stopping, and other actions smoother.
	Subject to a repetitive load greater than the fatigue limit of the pin.	Remove the large repetitive load. Otherwise, increase the size or number of chains.
	Corrosion.	Install a casing to protect the chain. Periodically clean and lubricate the chains.



① **Static fracture**

The type of fracture found when subjecting the chain to the breakage test. Occurs when chain is subjected to a load greater than its breakage strength.




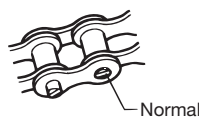
② **Fatigue fracture**

Occurs when the pin is repetitively subjected to loads greater than its fatigue limit. Recheck maximum load and formulate a countermeasure.



③ **Shock-induced bending fracture**

The pin is subjected to a large shock load and breaks. The side with the initiating point receives tensile load, and the fracture progresses from this point. A pin is especially susceptible to becoming weak with regard to bending when the surface of the pin has corroded. This type of phenomenon occurs quite easily.

Pin rotates or begins to stick out	Excessive load or improper lubrication.	Replace with new chain. Improve the lubrication or loading conditions.
  Normal	Operating a chain at high load without proper lubrication can create friction between the pin and bush, causing the pin to rotate. In this situation, the pin may come out, leading to chain breakage.	Replace with new chain immediately. Do not weld or reuse the pins. (Dispose of the old chain to be sure that it is not used again by mistake.) Also, if the pin head or link plate surface is worn, check the installation.
Wear or rust occurs only at the connecting pin	Improper initial lubrication during installation.	Replace the connecting link. If pin wear is excessive, replace the chain also. Lubricate the connecting sections of end brackets when installing.


9.4 Bush/roller related

Symptom	Possible causes	Remedy
Roller and/or bush splits (falls off)	Excessive load or speed of rotation.	Choose a different chain according to the kW ratings table.
	Inadequate lubrication.	Replace the chain. Provide adequate lubrication according to the operating conditions.



Fatigue fracture.

Reached the point of fatigue during operation and eventually broke. Occurs when there is impact with the sprocket teeth at a force exceeding the chain's transmission capacity.

Roller does not rotate	Bushed chains such as RS11-SS, RS15, RS25, and RS35	A bushed chain does not have rollers.
	The inner link plate is moving inward, or the bush is cracked.	Replace with a new chain. Re-inspect the installation and load conditions.
	Foreign particles have gotten between the bush and roller.	Periodically clean the chain. Install a casing to protect the chain.
Roller is opening up	Excessive load. 	Reduce the load. Provide adequate lubrication.
Roller is becoming hourglass shaped	Excessive load or inadequate lubrication.	Replace with new chain. Improve the lubrication or loading conditions.

For Safe Use



Warning

Observe the following points to prevent hazardous situations.

- Do not use chains or accessories (peripheral devices and parts) for anything other than their original purpose.
- Never perform additional work on the chain.
 - Do not anneal the various parts of the chain.
 - Do not clean the chain with acids or alkalis, as they may cause cracking.
 - Never electroplate the chain or its parts, as this may cause cracking due to hydrogen embrittlement.
 - Do not weld the chain, as the heat may cause cracking or a reduction in strength.
 - When heating or cutting the chain with a torch, remove the links immediately adjacent and do not use them again.
- When there is a need to replace a damaged (fractured) portion of a chain, always replace the whole chain with a new product rather than replacing only the damaged or fractured portion.
- When using a chain and sprocket on suspension equipment, establish a safety fence and strictly prevent entry to the area directly below the suspended object.
- Always install hazard protection devices (safety covers, etc.) for the chain and sprocket.
- Immediately stop using the chain if it comes into contact with a substance that can cause embrittlement cracking (acid, strong alkali, battery fluid, etc.) and replace with a new chain.
- When installing, removing, inspecting, maintaining, and lubricating the chain:
 - Perform the work according to the instruction manual or this catalog.
 - Always turn off the power switch to the equipment beforehand and make sure that it cannot be turned on accidentally.
 - Secure the chain and sprocket so that they cannot move freely.
 - Use a press or other special tool to cut and connect chain, and cut and connect using the proper procedures.
 - Wear clothing and protective gear (safety glasses, gloves, safety shoes, etc.) that are appropriate for the work.
 - Only experienced personnel should replace chains and sprockets.
- Install hazard protection devices (safety equipment, etc.) on suspension equipment using Leaf Chain to prevent hazard or injury in the event of chain failure.
- Install protection equipment for safety on the equipment side when using chain on personnel transport devices or lifting equipment.



Caution

Observe the following points to prevent accidents.

- Only handle chains and sprockets after thoroughly understanding their structure and specifications.
- When installing chains and sprockets, inspect them in advance to confirm that they have not been damaged in transport.
- Always regularly inspect and maintain your chains and sprockets.
- Chain strength varies according to manufacturer. When selecting a chain based on a Tsubaki catalog always use the corresponding Tsubaki product.
- Minimum tensile strength refers to the failure point when a load is applied to the chain once and does not refer to the allowable operational load.
- Lubricate connecting links (CL/OL) before assembling onto the base chain.
- Always ensure that the final customer receives the instruction manual.
 - If you do not have the instruction manual, contact a Tsubaki representative with the product name, series name, and chain/model number to receive the appropriate manual.
- The product information given in this catalog is mainly for selection purposes. Thoroughly read the instruction manual before actually using this product, and use the product properly.



Warranty

1. Warranty Period

Products manufactured by Tsubakimoto Chain Co. ("Products") are warranted against defects in materials and workmanship for eighteen (18) months from the date of shipment from the factory or twelve (12) months from the date the Products are first placed into operation (calculated from the date the Products have been installed on the customer's equipment), whichever comes first.

2. Scope of Warranty

During the warranty period, if defects arise in the Products when installed, used, and maintained correctly in accordance to Tsubakimoto Chain's catalogs, installation manuals (including any documents specially prepared and provided to the customer) and the like, Tsubakimoto Chain will repair or replace such defective Products thereof free of charge upon confirmation of said defect by Tsubakimoto Chain. This warranty shall only apply to Products received, and Tsubakimoto Chain shall not be liable for the following costs and/or damages (including installation manuals or other documents specially prepared and provided to the customer):

- (1) Costs required for removing the defective Products from or re-installing the replacement Products on the customer's equipment for replacement or repair of the defective Product, as well as any associated installation costs.
- (2) Costs required to transport the customer's equipment, if needed, to a repair shop or the like.
- (3) Any consequential or indirect damages or loss of profits or benefits the customer may incur due to the defects or repair of the Products.

3. Out of Warranty Service and Repair

Regardless of the warranty period, Tsubakimoto Chain will provide investigation, repair, and/or manufacture of the Products for a fee should the Products experience problems or anomalies under the following situations.

- (1) Placement, installation (including connecting and disconnecting), lubrication, or maintenance of the Products not in accordance with Tsubakimoto Chain's catalogs, installation manuals (including documents specially prepared and provided to the customer), or the like.
- (2) Use of the Products (including operating conditions, environment, and allowances) not in accordance with Tsubakimoto Chain's catalogs, installation manuals (including documents specially prepared and provided to the customer), or the like.
- (3) Inappropriate disassembly, modification, or processing of the Products by the customer.
- (4) Use of the Products with damaged or worn products. (Example: Use of the Products with a worn sprocket, drum, rail, or the like.)
- (5) When the operating conditions exceed the performance of the Products as selected using the Tsubakimoto Chain selection method.
- (6) Use of the Products in conditions other than what have been discussed.
- (7) When consumables such as bearings, oil seals, and lubricant in the Products deplete, wear, or degrade.
- (8) When secondary damage occurs to the Products due to initial or primary damage or failure to the customer's equipment.
- (9) Damage or failure of the Products due to forces majeure such as natural disasters.
- (10) Damage or failure of the Products due to unlawful conduct by third parties.
- (11) Damage or failure of the Products due to causes not attributable to Tsubakimoto Chain

The logos, brand names, or product names in this catalog are trademarks or registered trademarks of Tsubakimoto Chain Co. and/or its subsidiaries and/or affiliates in Japan and/or other countries.



TSUBAKIMOTO CHAIN CO.

Japan	Headquarters	+81 6-6441-0011	https://tsubakimoto.com/
-------	--------------	-----------------	---

Global Group Companies

AMERICAS

United States of America	U.S. Tsubaki Power Transmission, LLC	+1 847-459-9500	https://www.ustsubaki.com/
Brazil	Tsubaki Brasil Equipamentos Industriais Ltda.	+55 11-3253-5656	http://tsubaki.ind.br/
Canada	Tsubaki of Canada Limited	+1 905-676-0400	http://tsubaki.ca/

EUROPE

Netherlands	Tsubakimoto Europe B.V.	+31 78-6204000	https://tsubaki.eu/
France	Kabelschlepp France S.A.R.L.	+33 1-34846365	https://kabelschlepp.fr/
Germany	Tsubaki Deutschland GmbH	+49 89-2000-133-80	http://tsubaki.de/
	Tsubaki Kabelschlepp GmbH	+49 2762-4003-0	https://tsubaki-kabelschlepp.com/
Italy	Kabelschlepp Italia S.R.L.	+39 0331-350962	https://kabelschlepp.it/
Russia	OOO Tsubaki Kabelschlepp	+7 499-4180212	http://kabelschlepp.ru/
Spain	Tsubaki Ibérica Power Transmission S.L.	+34 911-873450	http://tsubaki.es/
United Kingdom	Tsubakimoto U.K. Ltd.	+44 1623-688-700	https://tsubaki.eu/

INDIAN OCEAN RIM

Singapore	Tsubakimoto Singapore Pte. Ltd.	+65 6861-0422/3/4	http://tsubaki.sg/
Australia	Tsubaki Australia Pty. Limited	+61 2-9704-2500	http://tsubaki.com.au/
India	Tsubaki India Power Transmission Private Limited	+91 44-7101-2000	http://tsubaki.in/
Indonesia	PT. Tsubaki Indonesia Trading	+62 21-89458898	http://tsubakimoto.co.id/
Malaysia	Tsubaki Power Transmission (Malaysia) Sdn. Bhd.	+60 3-8966-2020	http://tsubaki.my/
New Zealand	Tsubaki Australia Pty. Limited - New Zealand Branch	+64 9-352-2085	http://tsubaki.com.au/
Philippines	Tsubakimoto Philippines Corporation	+63 2-8824-7519	http://tsubaki.ph/
Thailand	Tsubakimoto (Thailand) Co., Ltd.	+66 2-262-0667/8/9	http://tsubaki.co.th/
Vietnam	Tsubakimoto Vietnam Co., Ltd.	+84 24-6274-1449	http://tsubaki.net.vn/

EAST ASIA

Korea	Tsubakimoto Korea Co., Ltd.	+82 2-2183-0311	http://tsubakimoto-tck.co.kr/
Taiwan	Taiwan Tsubakimoto Co.	+886 3-3293827	https://tsubakimoto.tw/

CHINA

China	Tsubakimoto Chain (Shanghai) Co., Ltd.	+86 21-53966651/2	http://tsubaki-sh.cn/
-------	--	-------------------	---



The Tsubaki Eco Link logo is used only on products that satisfy the standards for environmental friendliness set by the Tsubaki Group.